

# Assembly Instruction

---

## Eastlake Outdoor Swivel Arm Chair

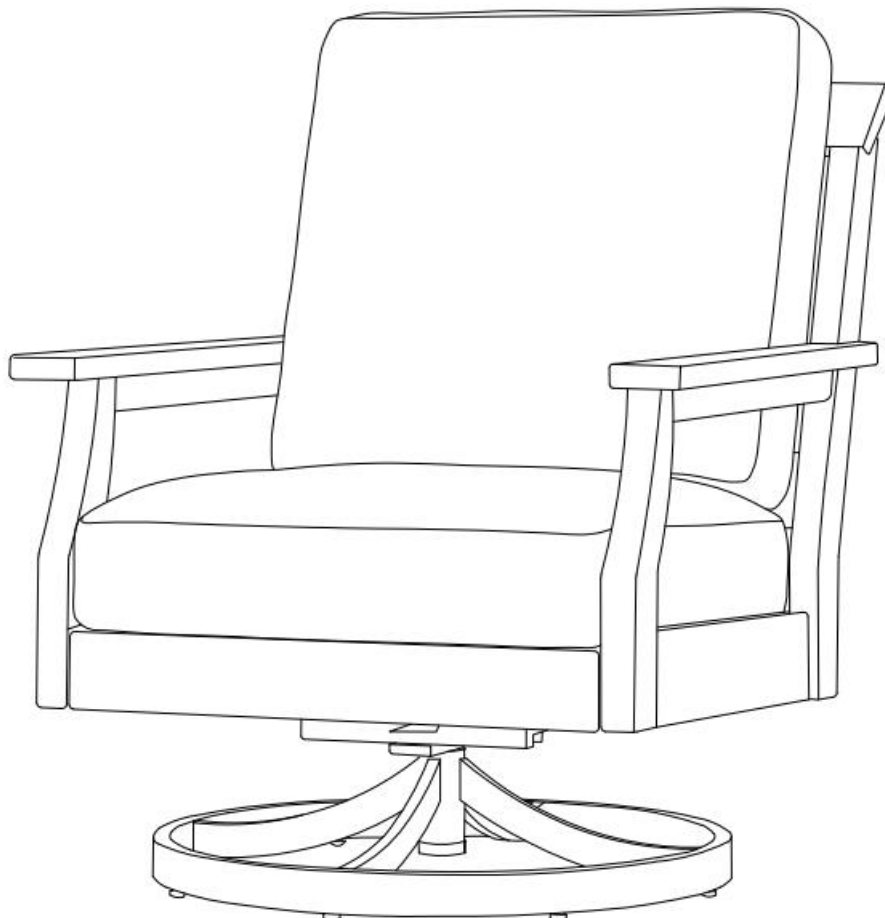
Your furniture requires assembly prior to use. It is important that you read the entire assembly instructions to become familiar with the unit before you set up this product.

### **Safety Warning and Precautions**

**WARNING:** When setting up your furniture, basic precautions should always be followed to reduce risk of personal injury and damage to the product.

Read all instructions before assembly and usage this product.





1. Select ideal location. Set out all parts on a clear and level surface prior to assembly. Ideally, the furniture should be set up in the desired location to avoid moving it after assembly.
2. Use caution. During all the processes of assembling, especially when lifting heavy or large parts, pay attention to safety.
3. Tools and Assistance. An adjustable spanner is required for assembly. It is recommended 2 people assist with assembly.
4. Check all parts before assembling, ensure you have all parts detailed in the parts list on Page 2.
5. Refer to assembly diagram. During assembly, refer to the assembly instructions on following pages.
6. Caution. Keep children away from work area during assembly. Do not allow children to handle parts or tools while assembling.

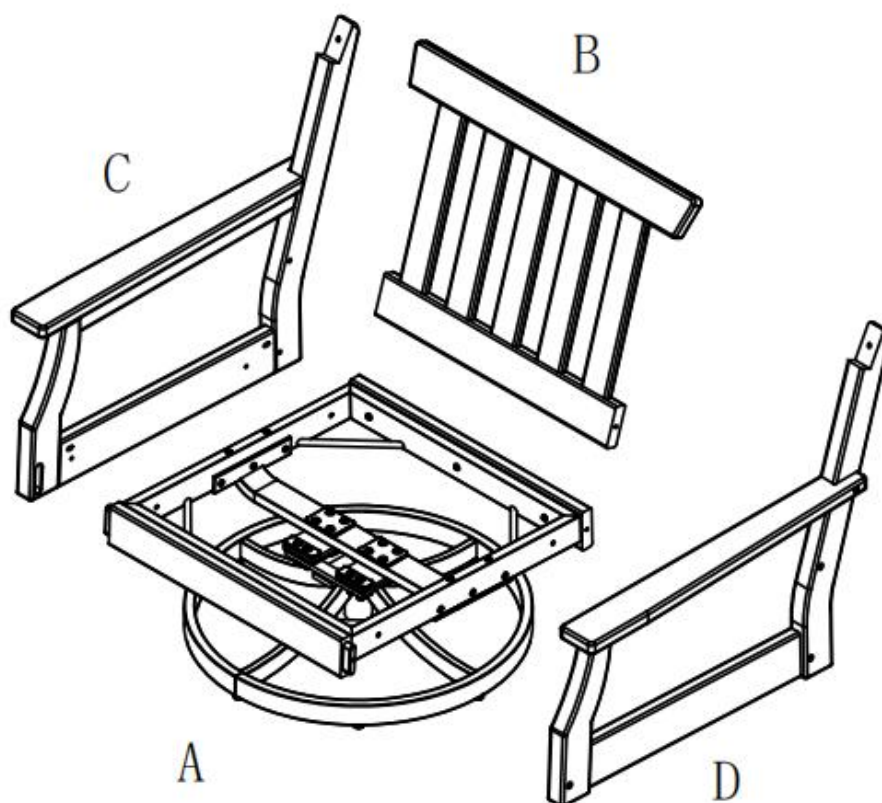
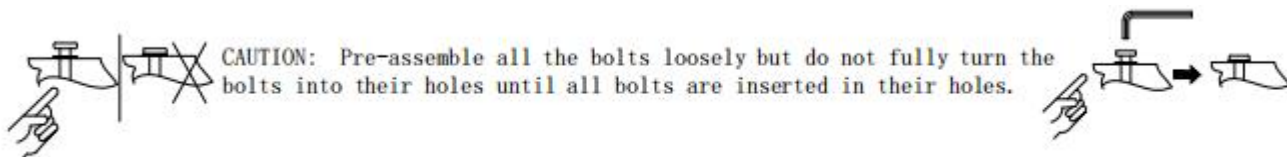


# Assembly Instruction

## LEastlake Outdoor Swivel Arm Chair

### FITTINGS IDENTIFICATION

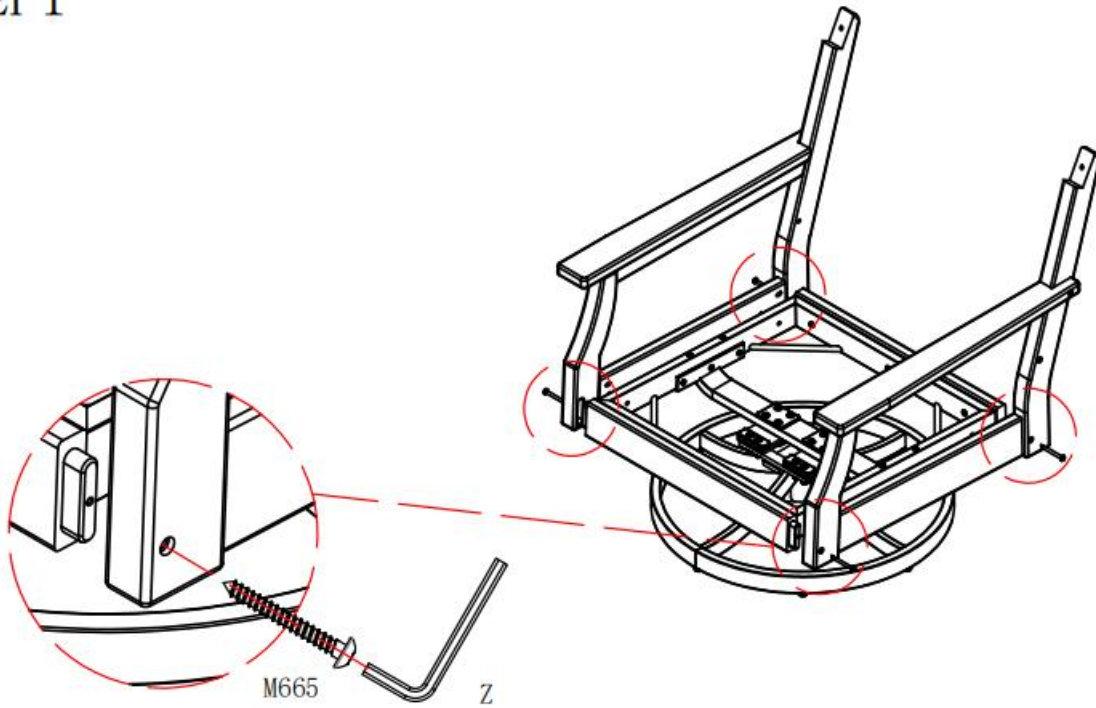
Part #	M645	M649	M665	Z
Description:	Screw M6*45	Screw M6*49	Screw M6*65	Allen Wrench
Figure:	 M6*45	 M6*49	 M6*65	
Qty:	4PCS	2PCS	6PCS	1PCS



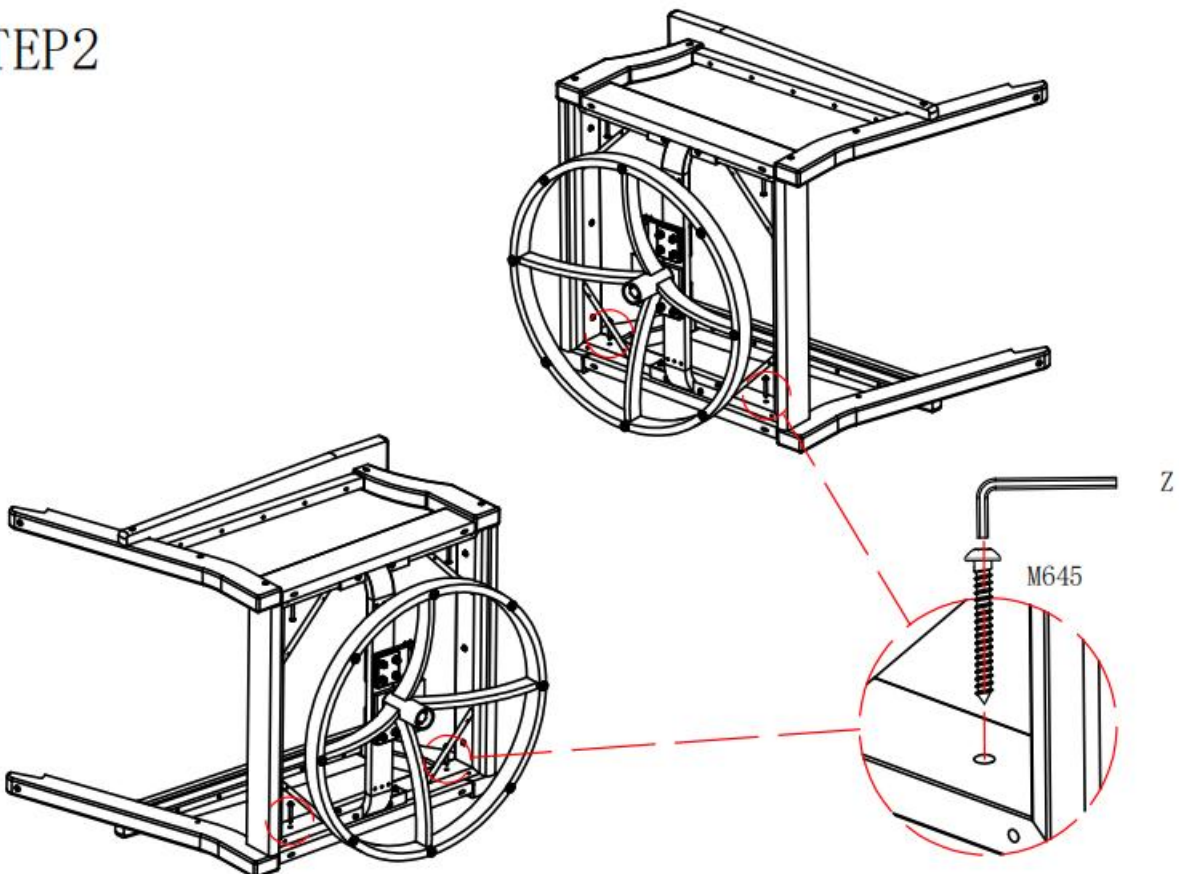
# Assembly Instruction

## LEastlake Outdoor Swivel Arm Chair

### STEP 1



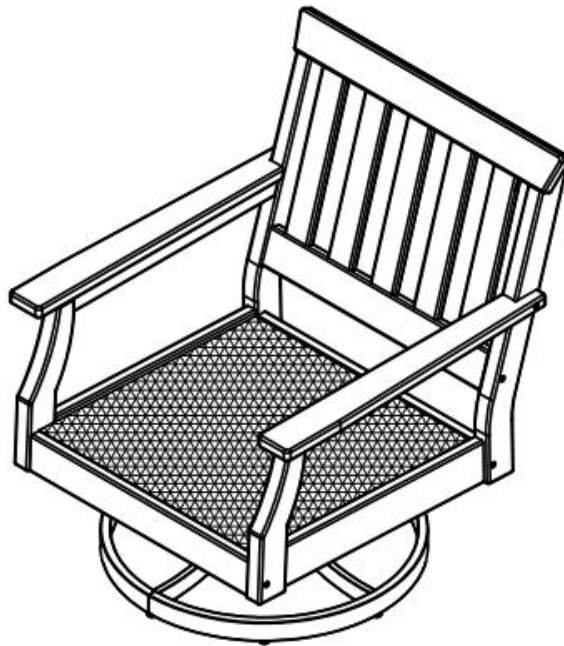
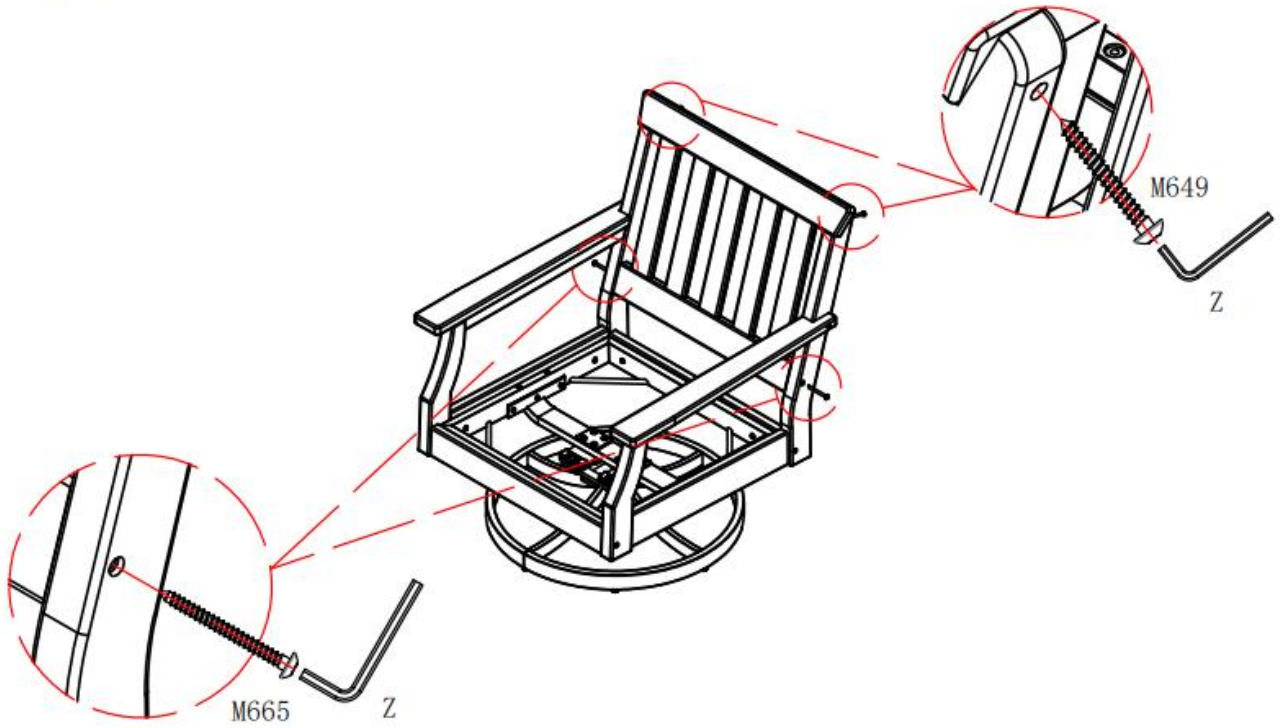
### STEP 2



# Assembly Instruction

## LEastlake Outdoor Swivel Arm Chair

### STEP 3



# Assembly Instruction

---

## Eastlake Outdoor Swivel Arm Chair

### Steps:

1. Attach the Right Armrest frame (Part C) and the Left Armrest frame (Part D) to the Seat Frame (Part A) with Screws M6\*65 (Part M665 ) to install outside holes by using Allen Wrench (Part Z). then install the bottom both side holes with screw M6\*45(Part M645) and gasket (Part X) by using the Allen Wrench (Part Z).
2. Attach the Back Panel (Part B) to the Seat Frame (Part A) with Screws M6\*65 (Part M665) to install the both side holes by using Allen Wrench (Part Z), then install on the top holes with Screw M6\*49(Part M649) by using Allen Wrench (Part Z)

Tighten all screws. Your chair is ready to use. (Note: Pre-assemble all the bolts loosely but do not fully turn the bolts into their holes until all bolts are inserted in their holes.)

Periodically check and make sure that all screws are fully tightened.