



# STOP

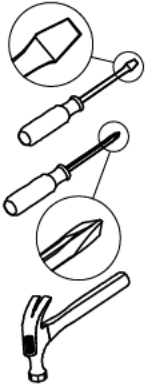
**MISSING A PART?  
CALL US BEFORE GOING  
BACK TO THE STORE**

**Please have the following information ready when you contact us, so we can assist you promptly.**

- Order number or PO number ( you can find the info on your invoice, receipt or platform account).
- The model number of the product ( printed on the package box ).
- Description of the part from the parts list.

- 
- Make sure to check packing material for small parts that may have fallen out during shipment.
  - Structures are not intended for public use. The Company does not warranty any of its residential structures subjected to commercial use such as: Daycare, Preschool, Nursery School, Recreational Park, or any similar Commercial Application.
  - This manual contains helpful information concerning assembly preparation, installation procedure and required maintenance.
  - Always keep safety in mind as your structure is being built.
  - Keep these instructions for future reference.

# Before You Start



- ✓ Read through each step carefully and follow the proper order
- ✓ Separate and count all your parts and hardware
- ✓ Give yourself enough room for the assembly process
- ✓ Have the following tools: Flat Head Screwdriver, #2 Phillips Head Screwdriver and Hammer
- ✓ Caution: If using a power drill or power screwdriver for screwing, please be aware of to slow down and stop when screw is tight. Failure to do so may result in stripping the screw. (Assembly speed can be increased by using electric screwdriver)

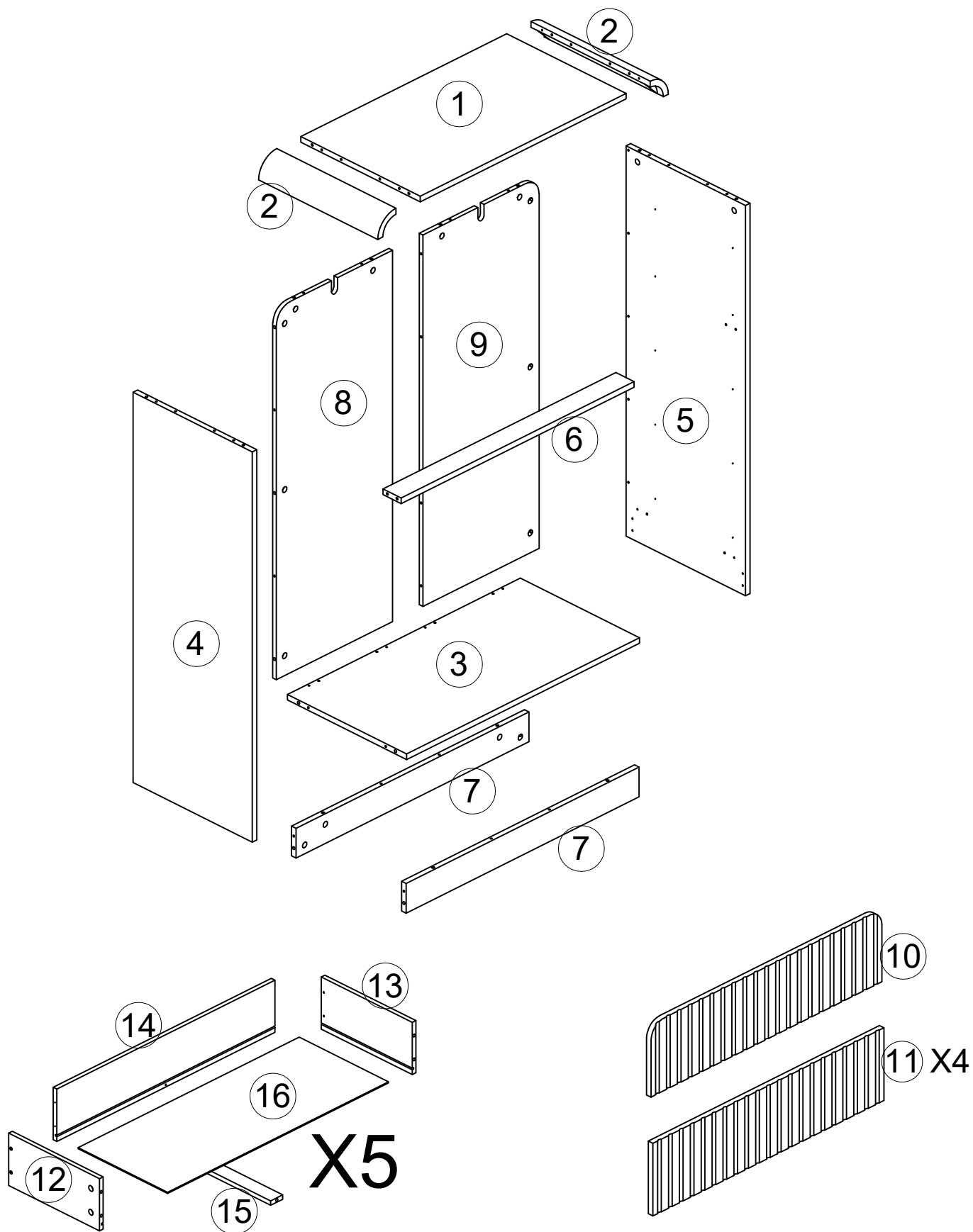
# Helpful Hints

## PEOPLE NEEDED FOR ASSEMBLY: 1-2

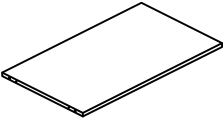
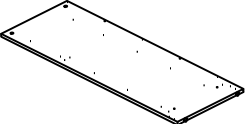
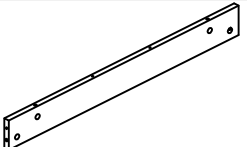
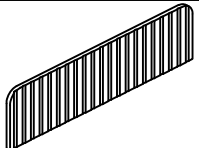
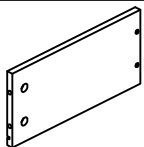
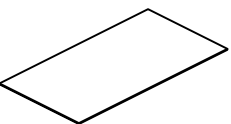
- Open your item in the area you plan to keep it to avoid excessive heavy lifting.
- Identify, sort and count the parts before attempting assembly.
- Compression dowels are lightly tapped in with a hammer.
- Slides are labeled with an R (right) and L (left) for proper placement.
- Make sure to always face the point on the top of the Cam Lock towards the outer edge.
- If there is a back panel in the package, please install it to make sure your unit is complete and sturdy.
- Please fix all the screws provided for the back panel which can enhance product stability. If it is difficult to fix it when tightening, it can be fixed with the help of a hammer and then tightened.
- Do NOT use harsh chemicals or abrasive cleaners on this item.
- Never push, pull, or drag your furniture.

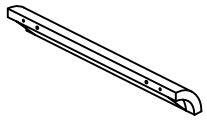
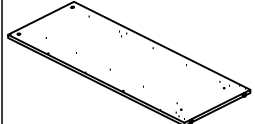
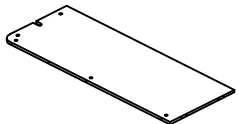
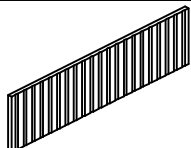
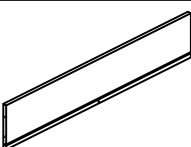


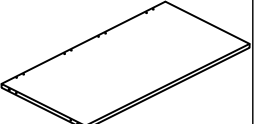
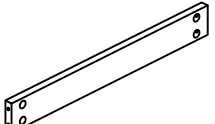
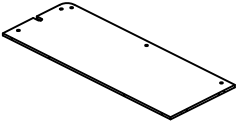
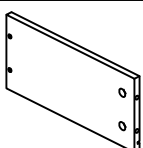
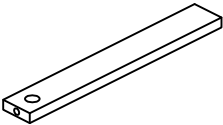
# EXPLODED DRAWING:



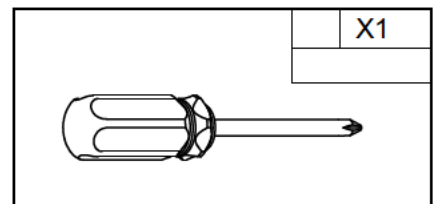
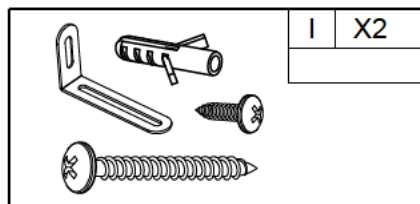
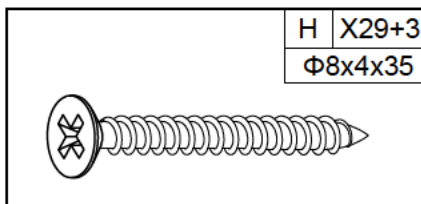
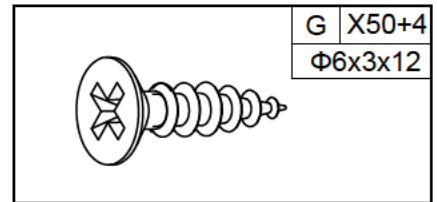
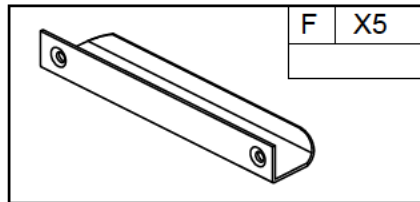
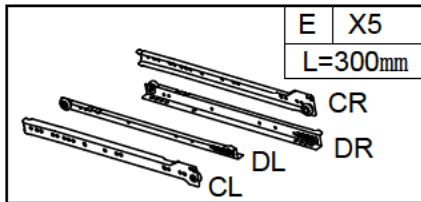
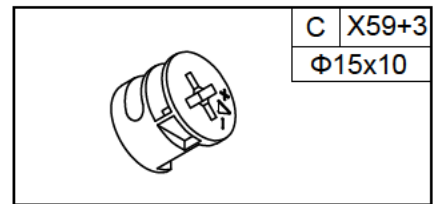
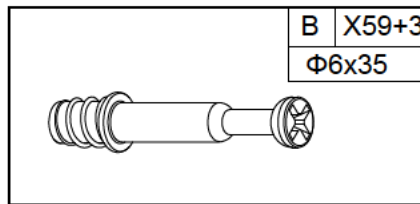
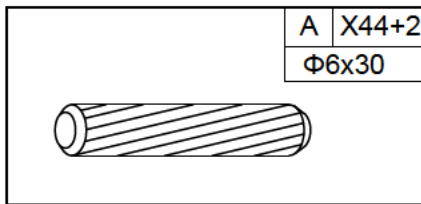
# PARTS:

NO.	PARTS	QTY
①		x1
④		x1
⑦		x2
⑩		x1
⑬		x5
⑯		x5

NO.	PARTS	QTY
②		x2
⑤		x1
⑧		x1
⑪		x4
⑭		x5

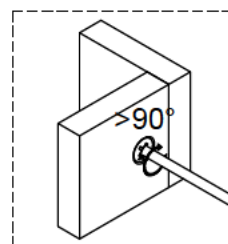
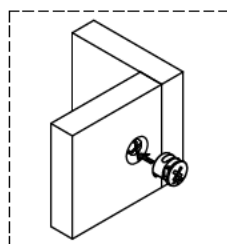
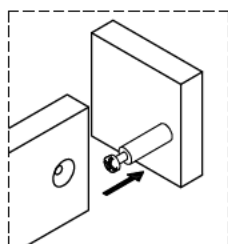
NO.	PARTS	QTY
③		x1
⑥		x1
⑨		x1
⑫		x5
⑮		x5

# HARDWARE:



# REMARK:

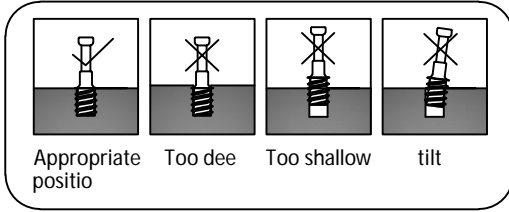
## MINIFIX POSITIO



# STEP 1

## REMARK

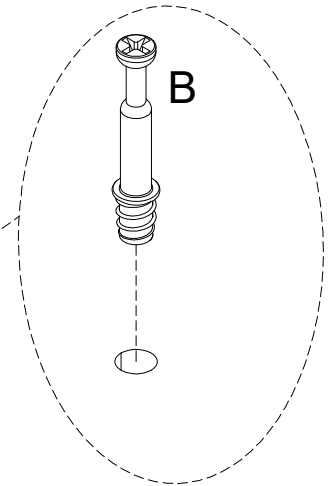
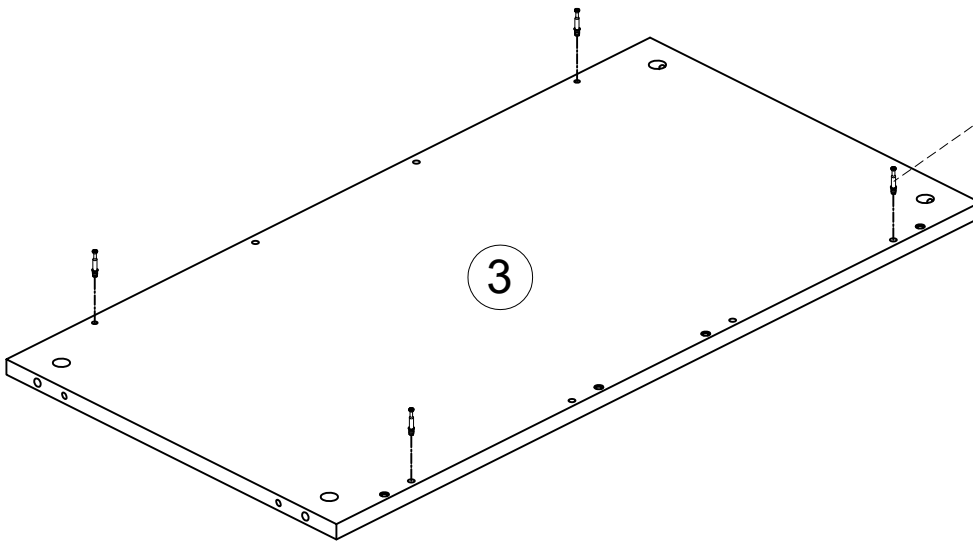
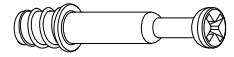
Please do not screw too deep or too sha



## REMARK

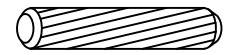
Put a blanket under the board to avoid scratch or damag

B X4

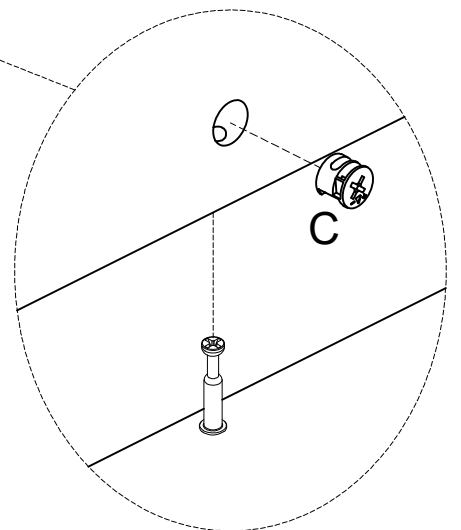
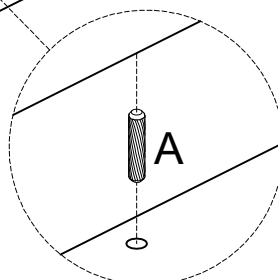
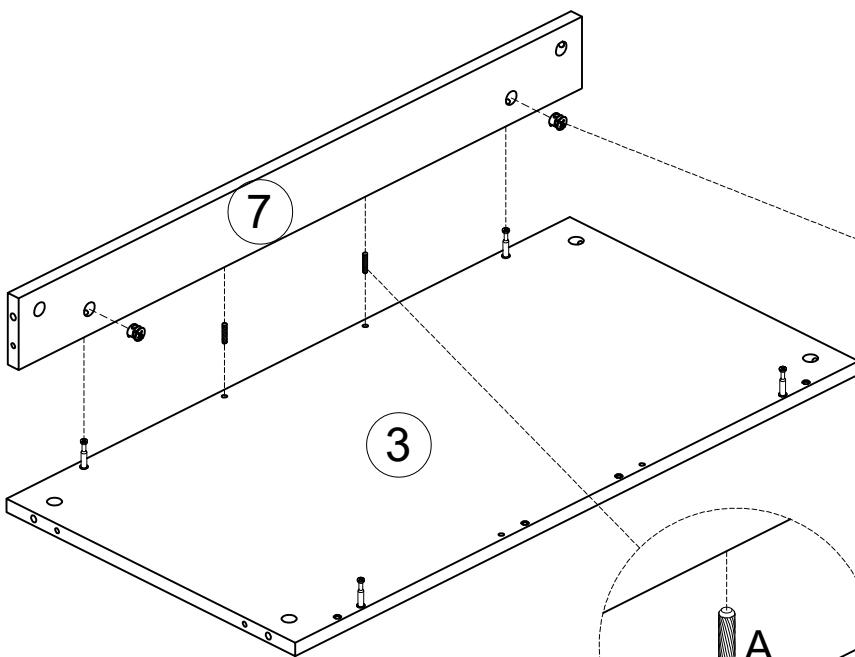
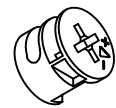


# STEP 2

A X2

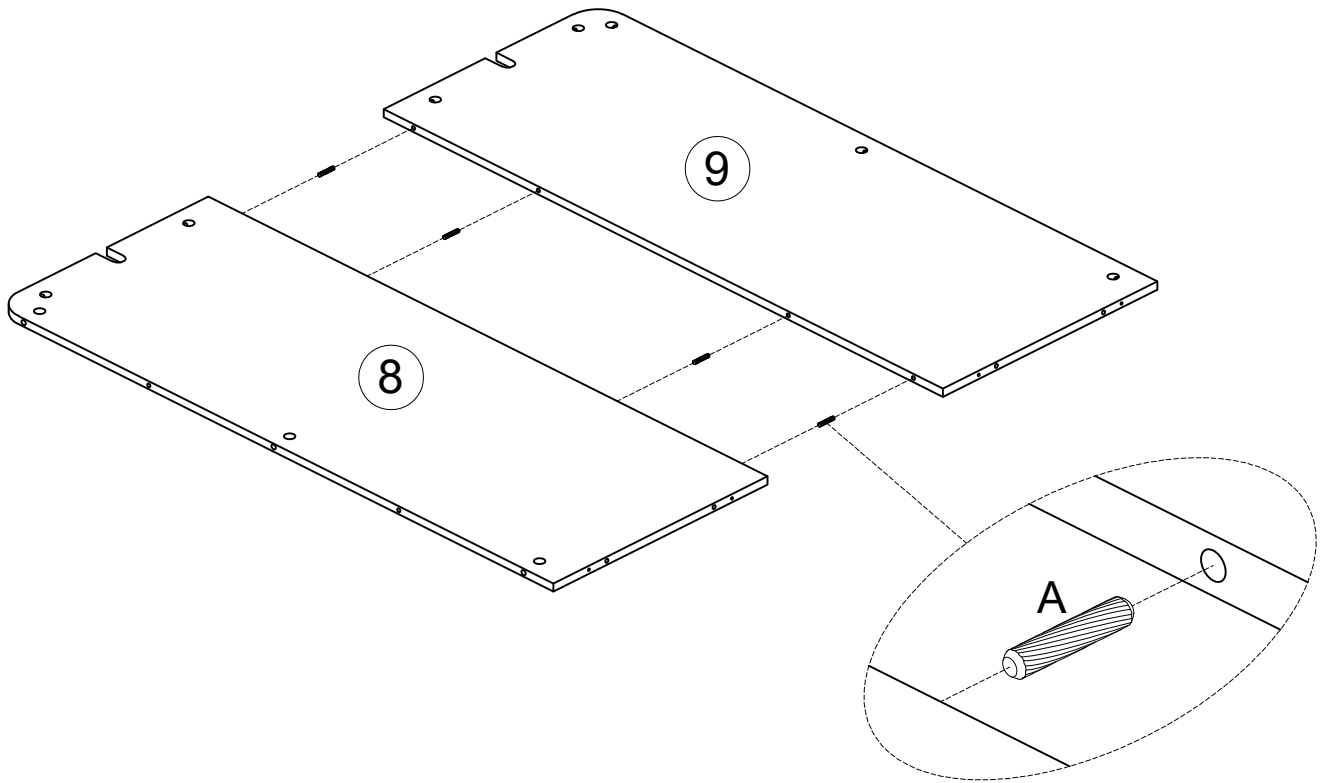


C X2



# STEP 3

A X4

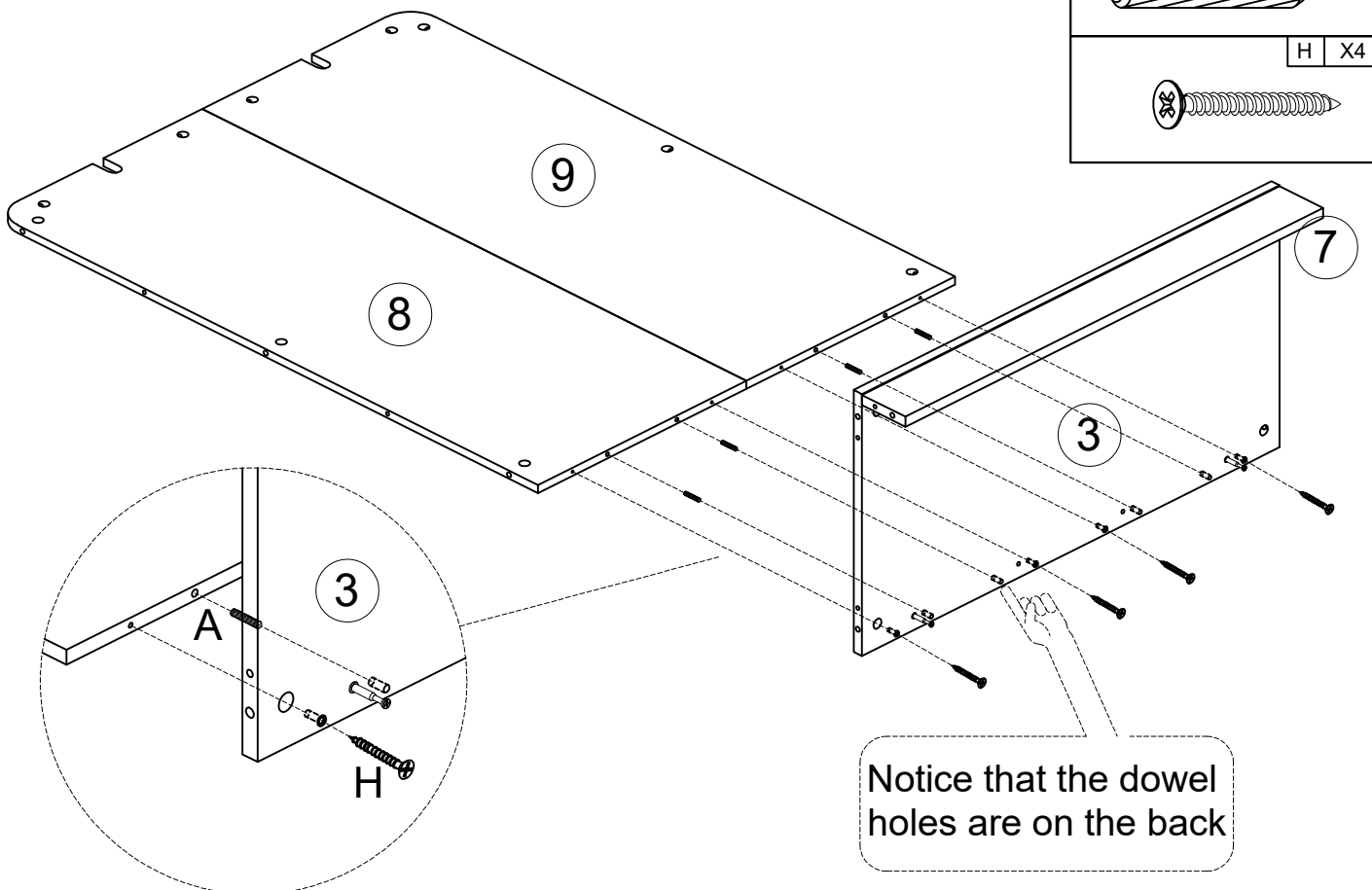


# STEP 4

A X4

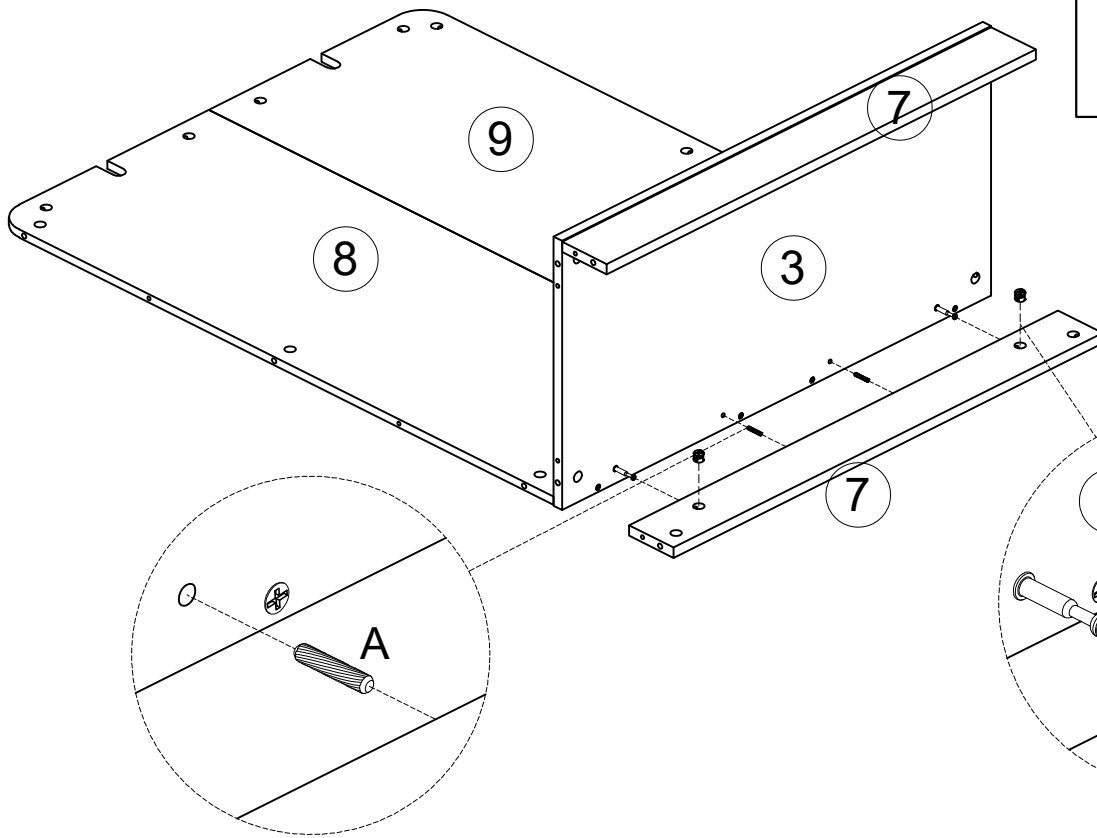


H X4



Notice that the dowel holes are on the back

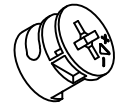
# STEP 5



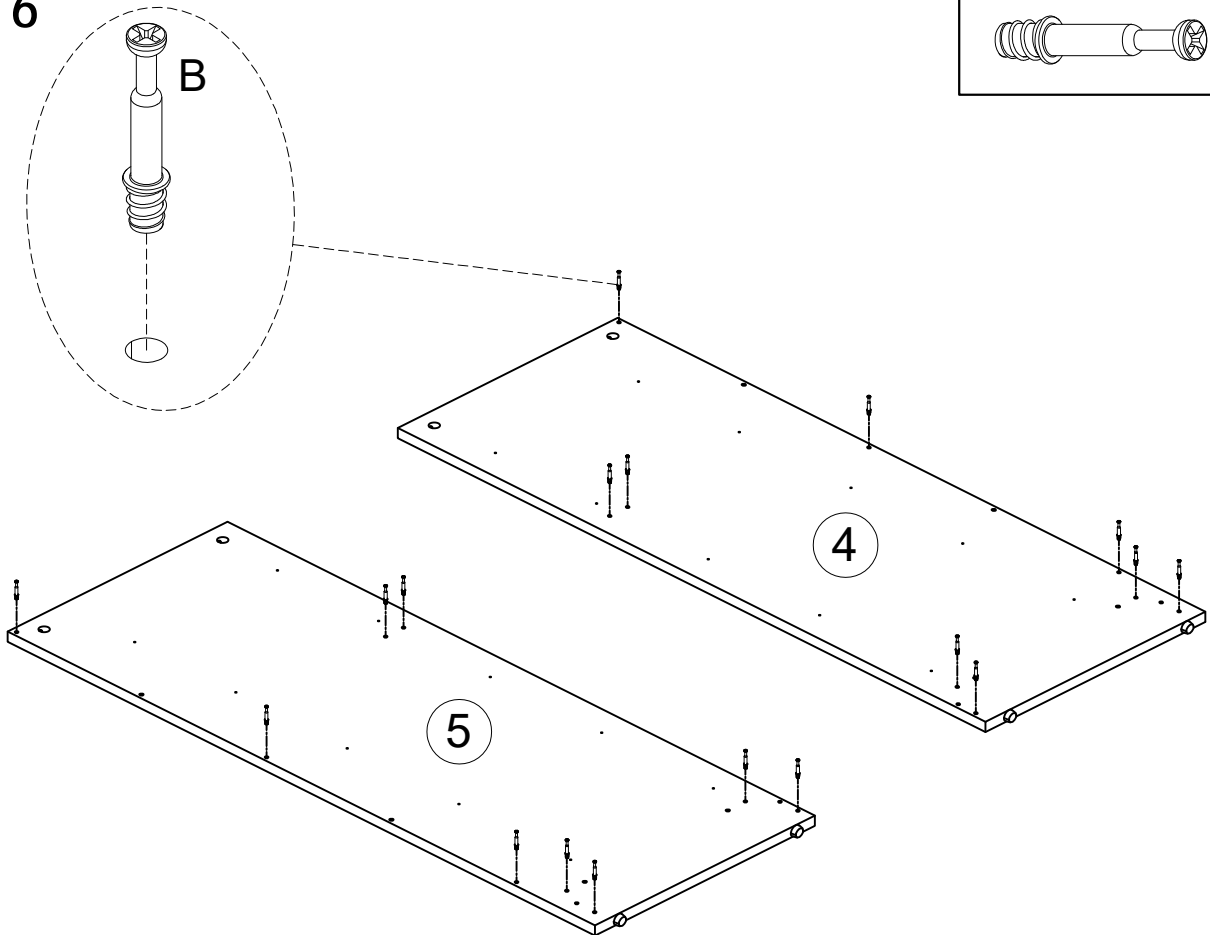
A X2



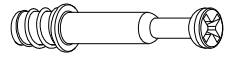
C X2



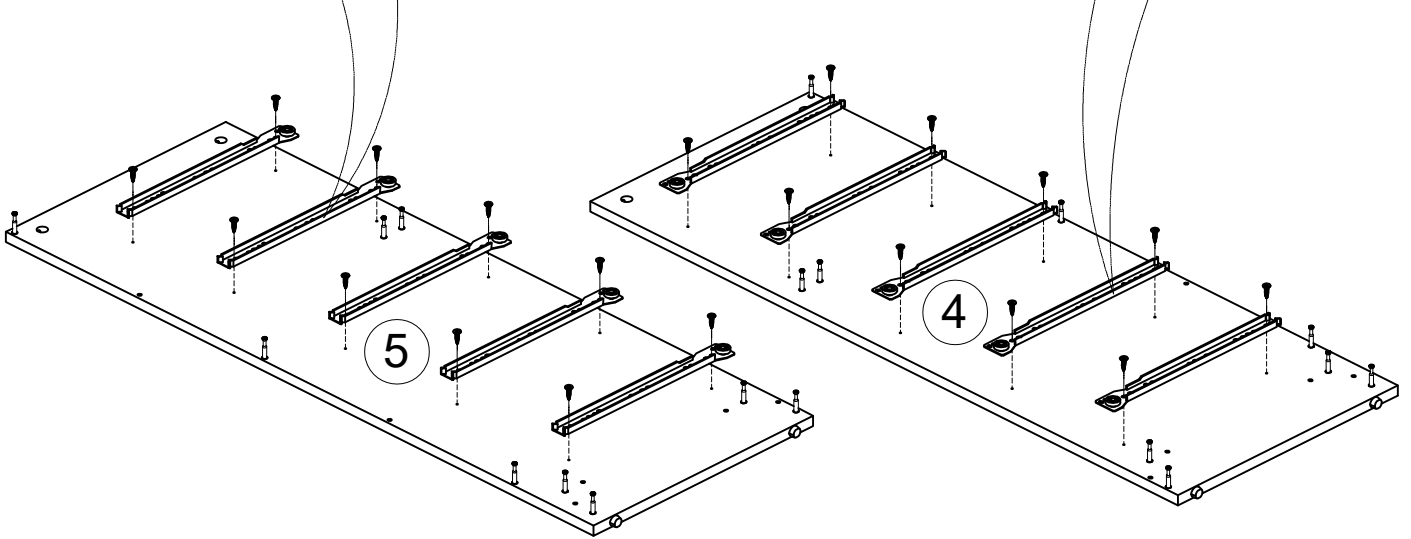
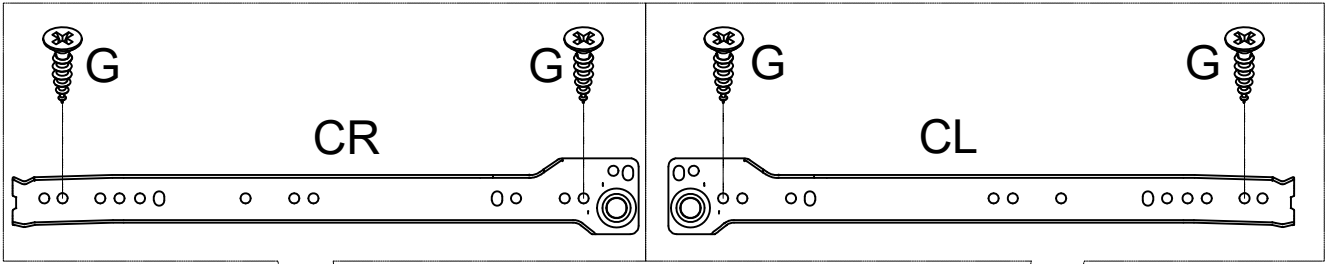
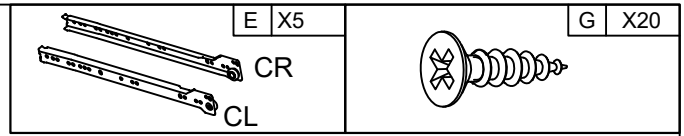
# STEP 6



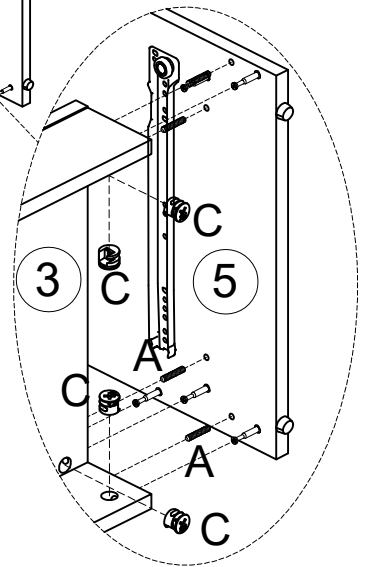
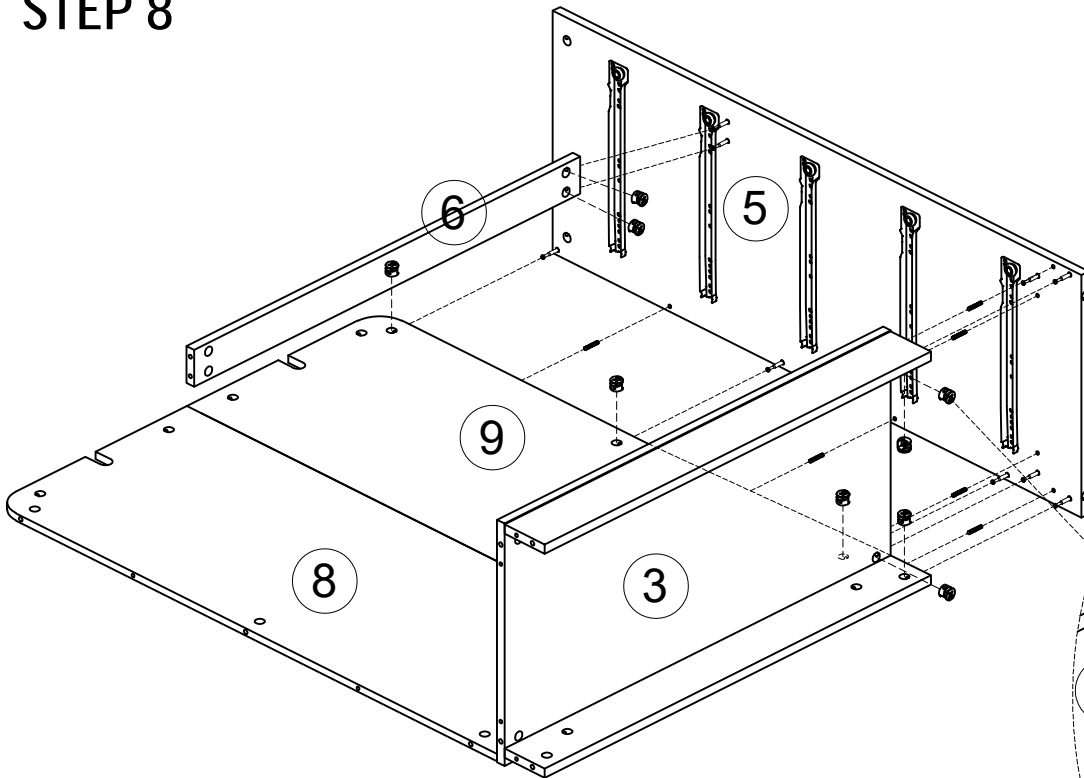
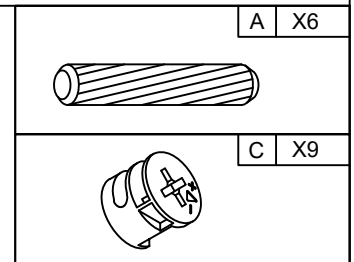
B X18



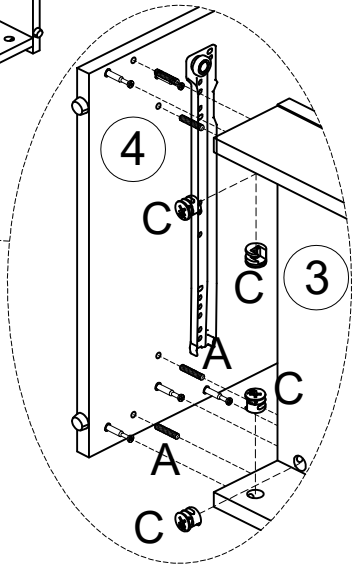
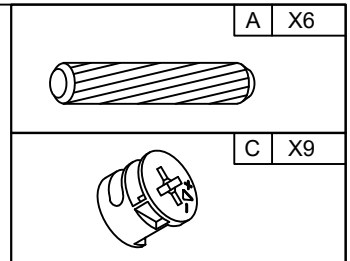
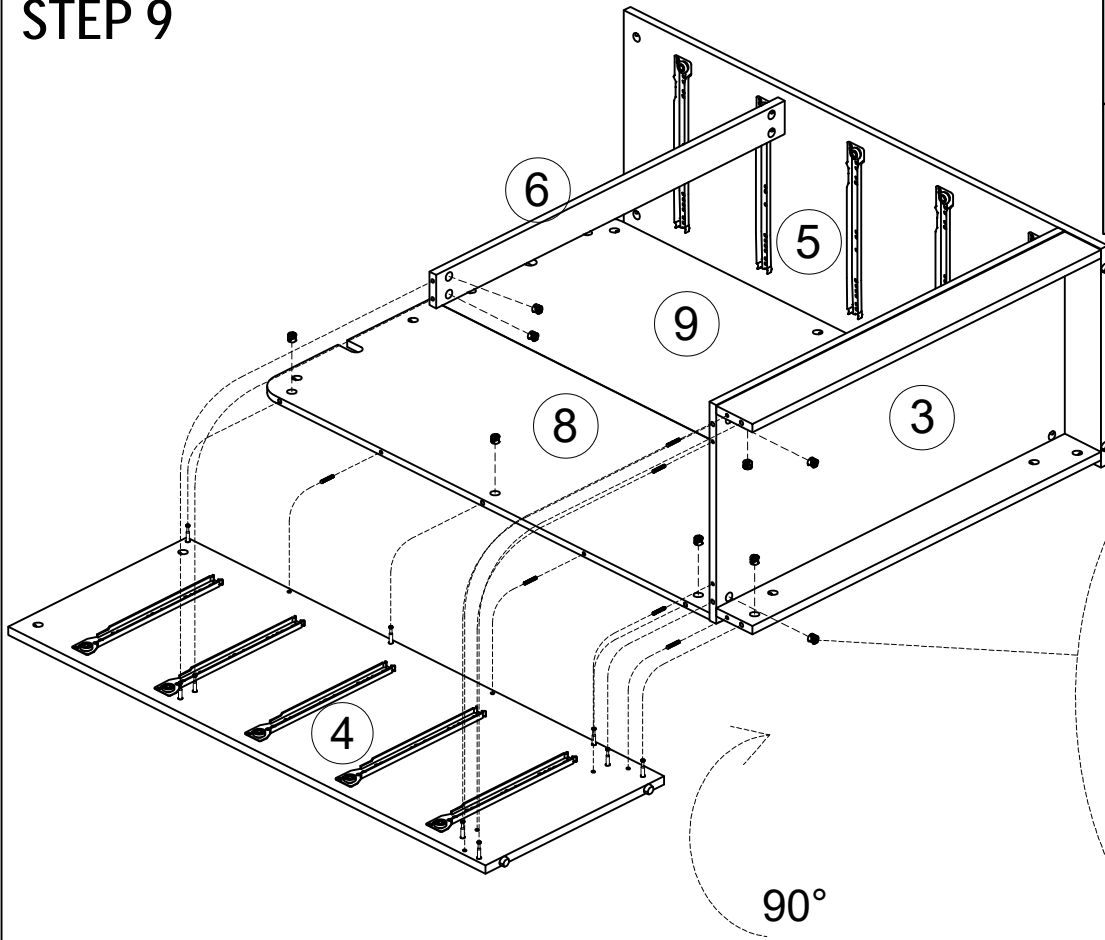
# STEP 7



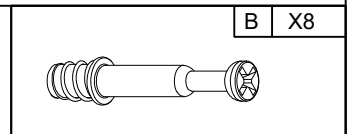
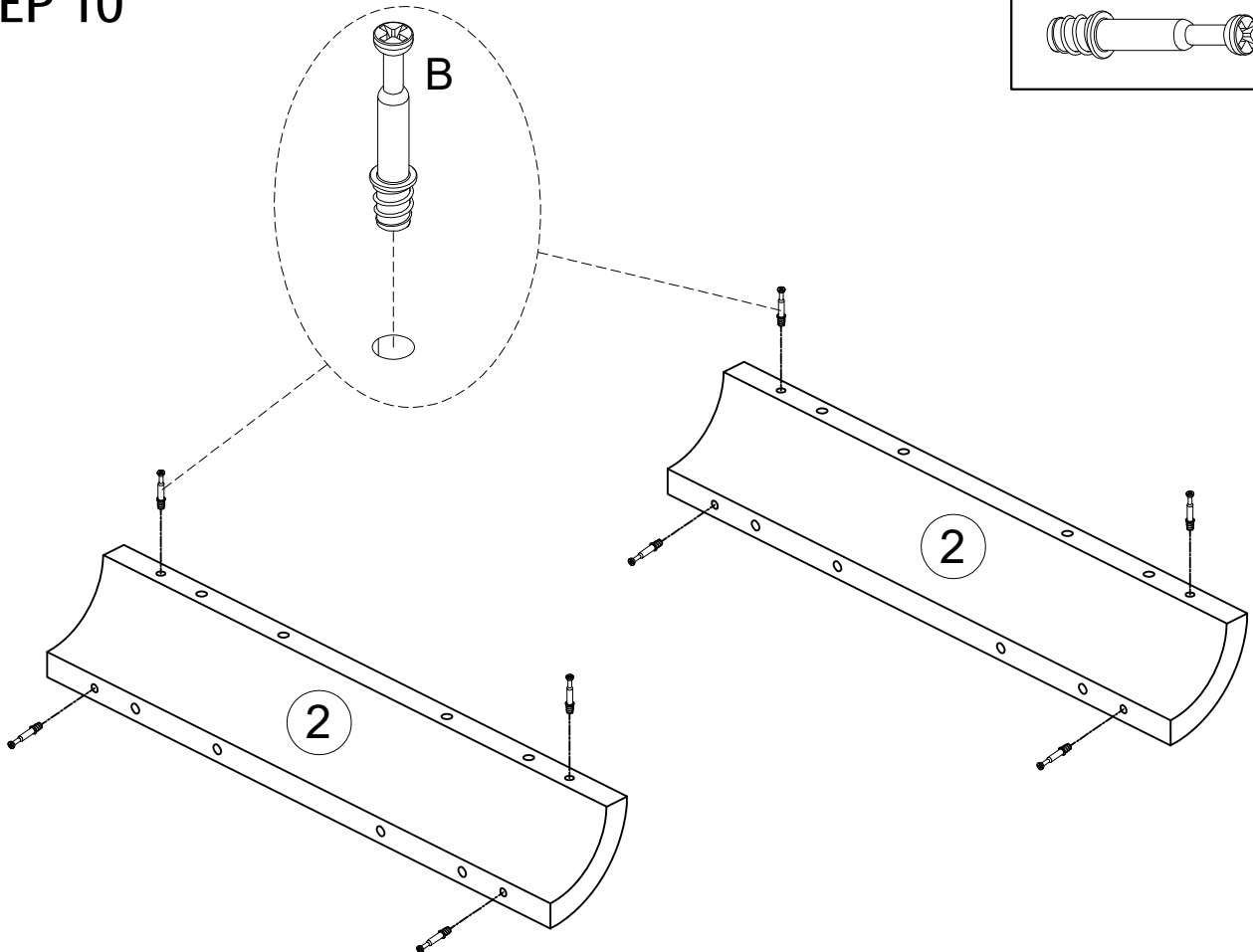
# STEP 8



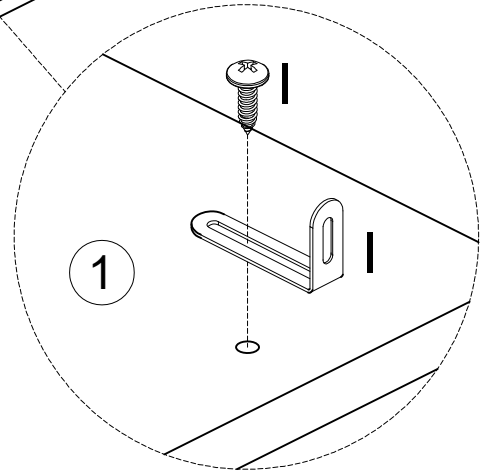
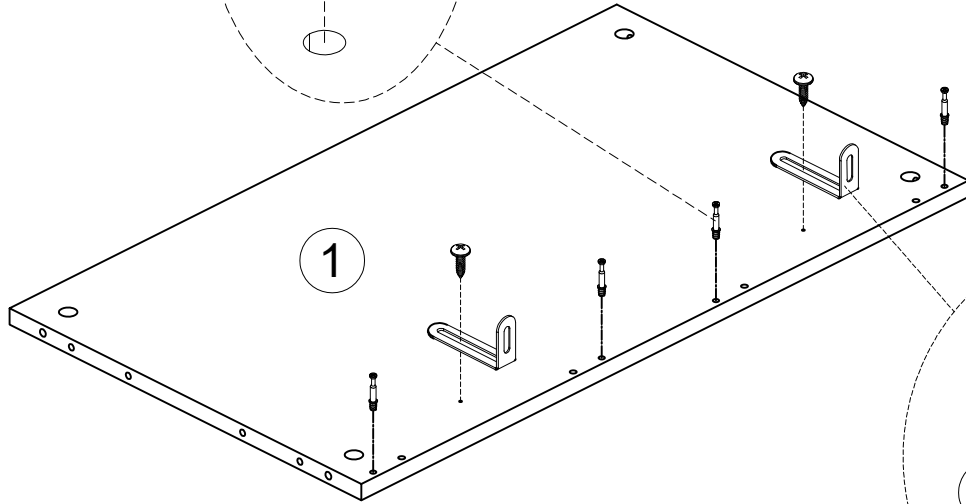
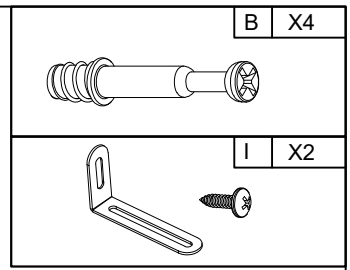
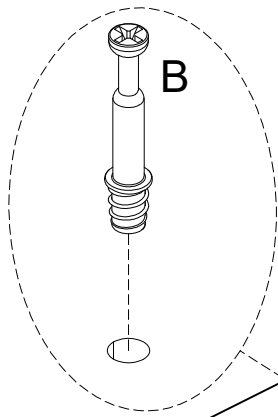
# STEP 9



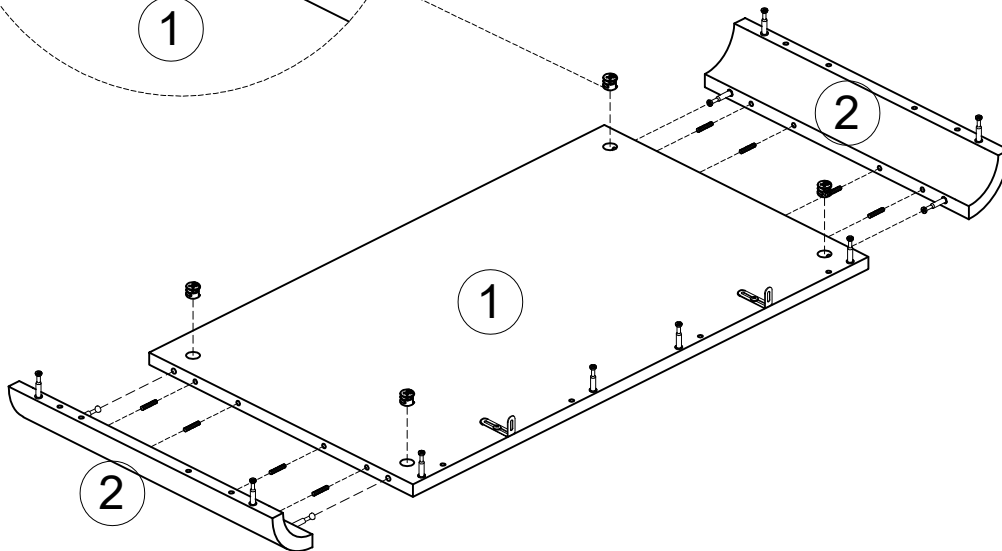
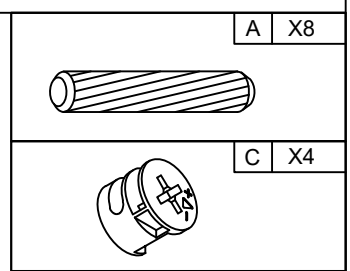
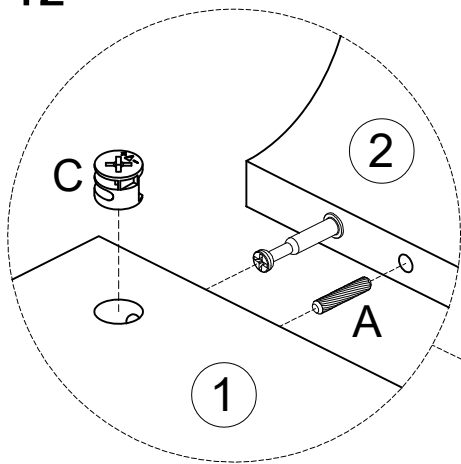
# STEP 10



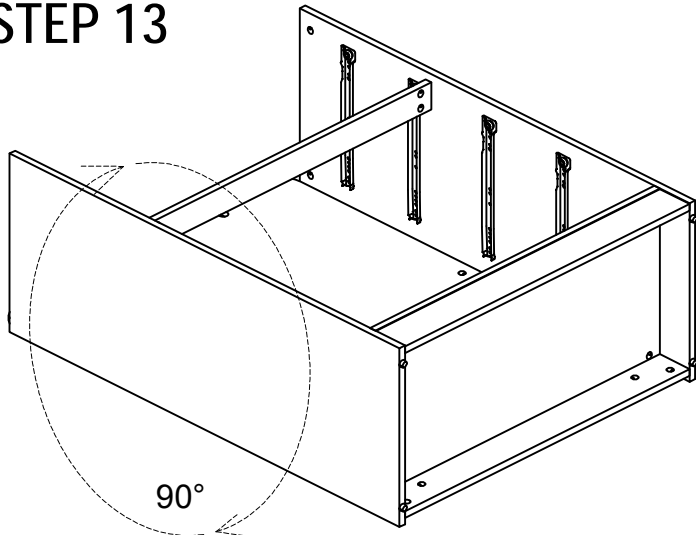
# STEP 11



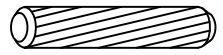
# STEP 12



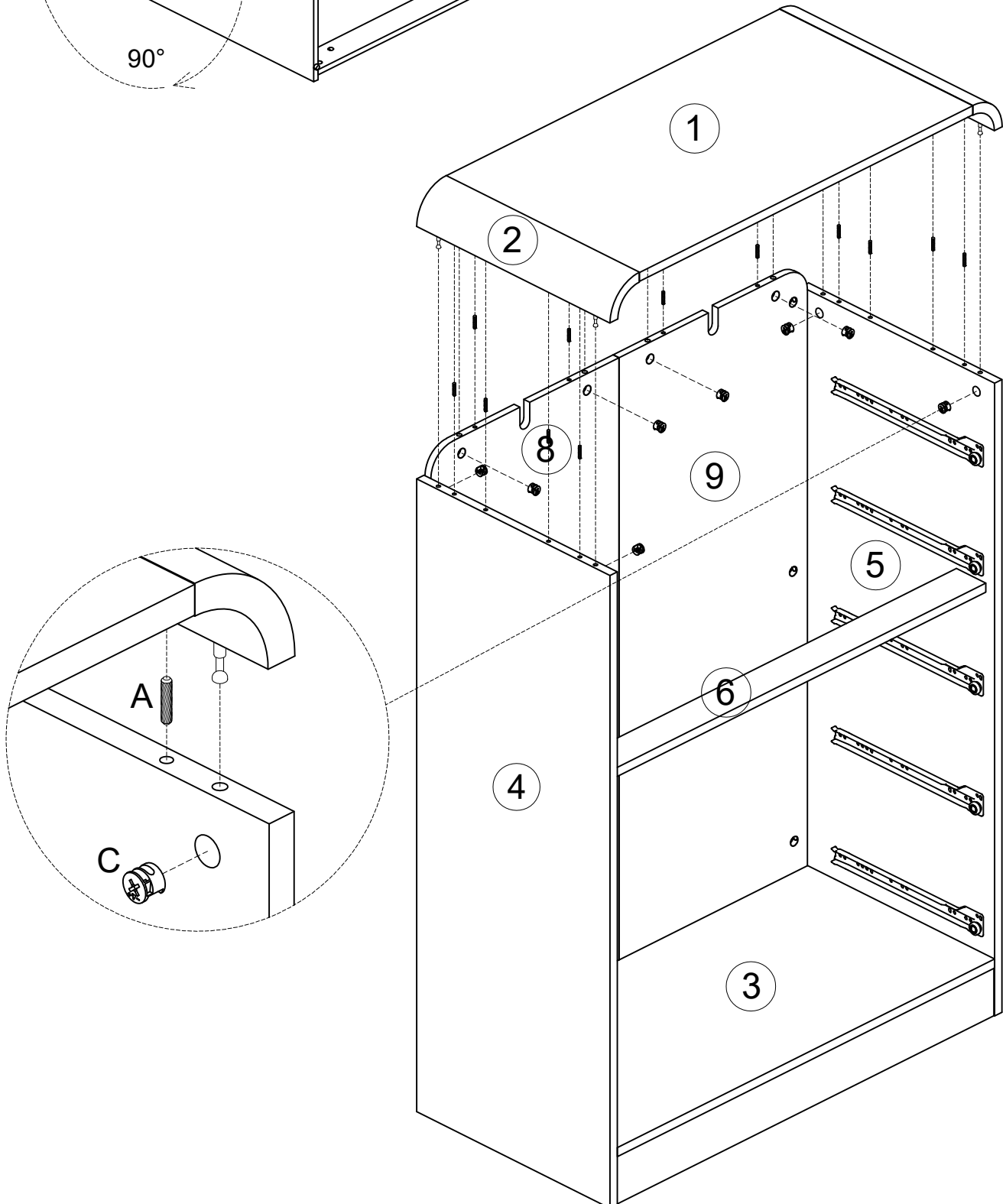
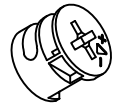
# STEP 13



A X12

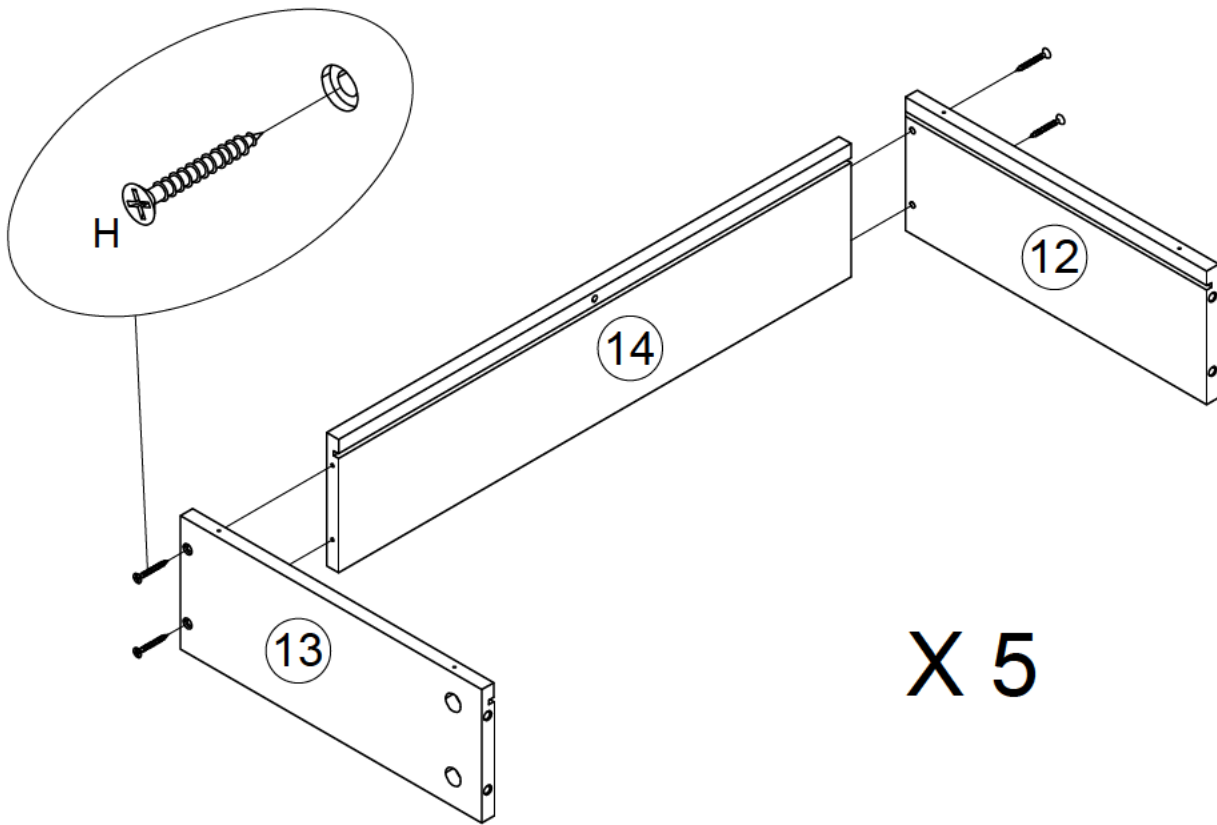


C X8



# STEP 14

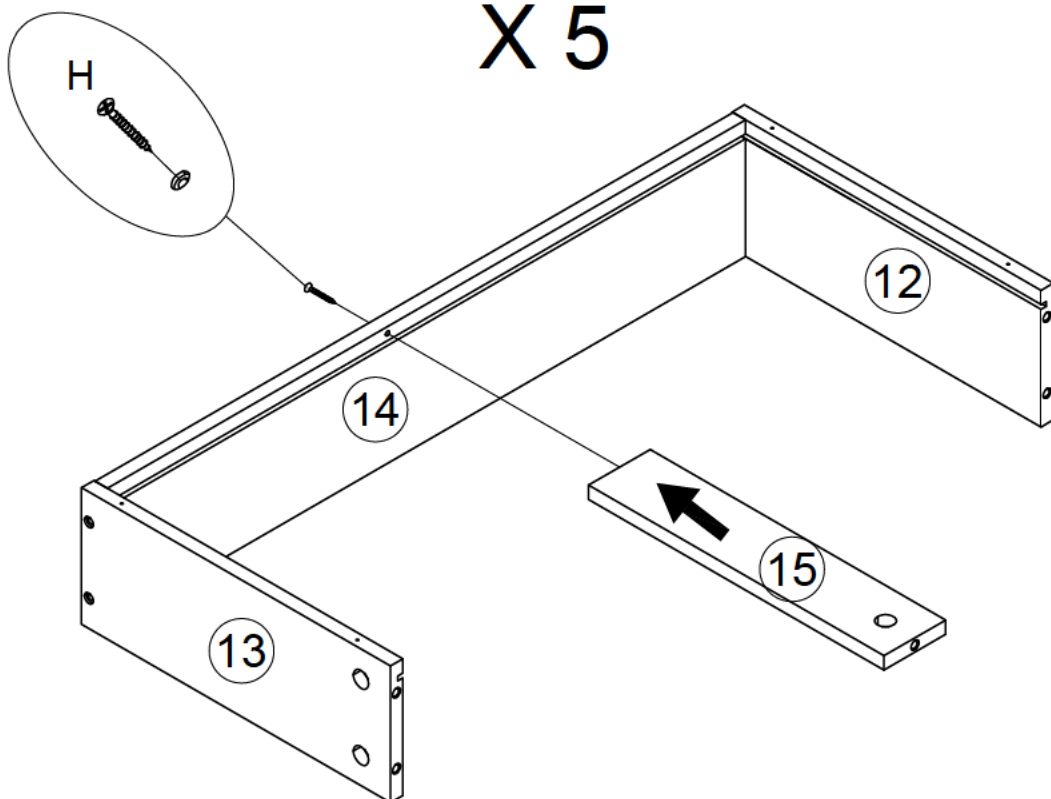
H X20



X 5

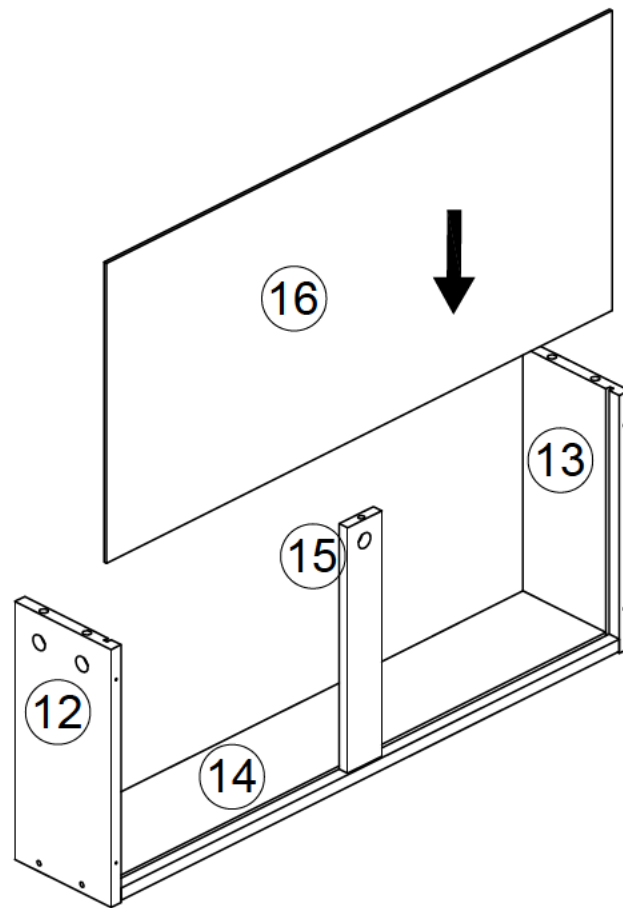
# STEP 15

H X5

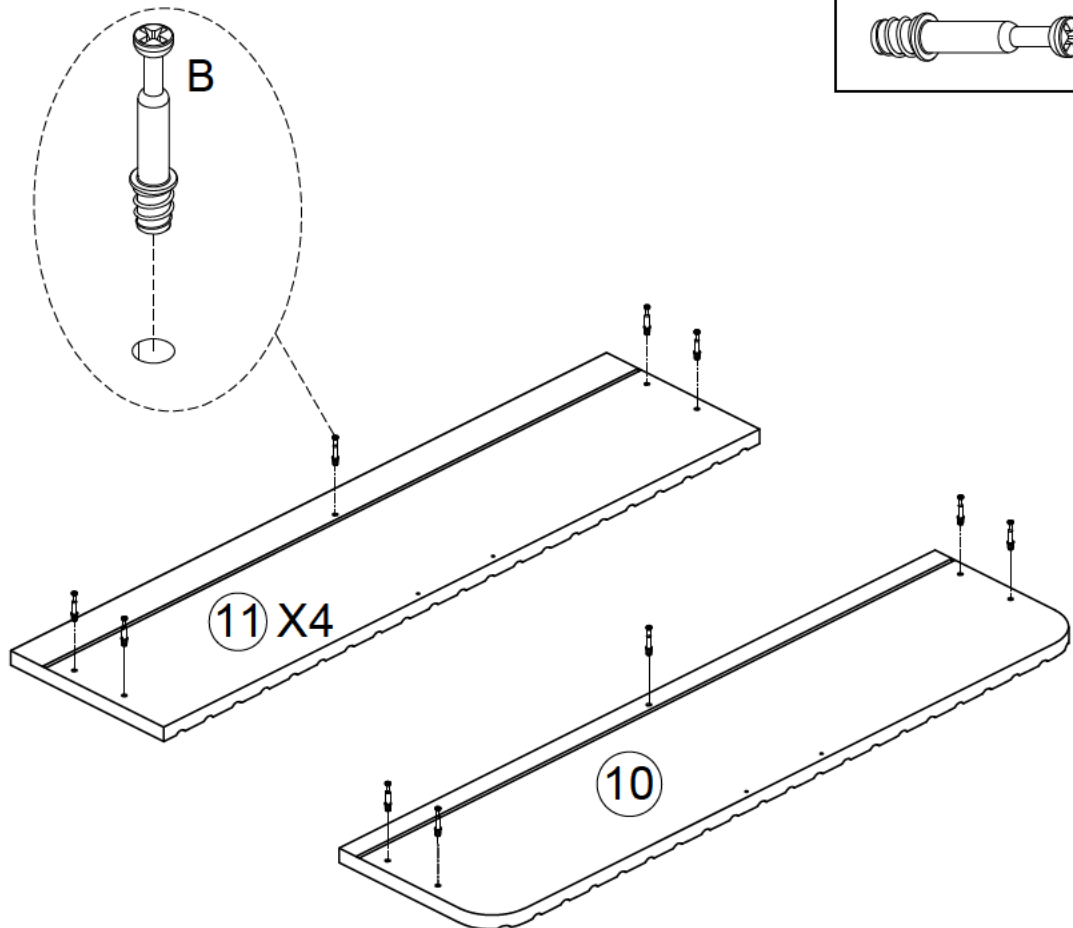


X 5

## STEP 16

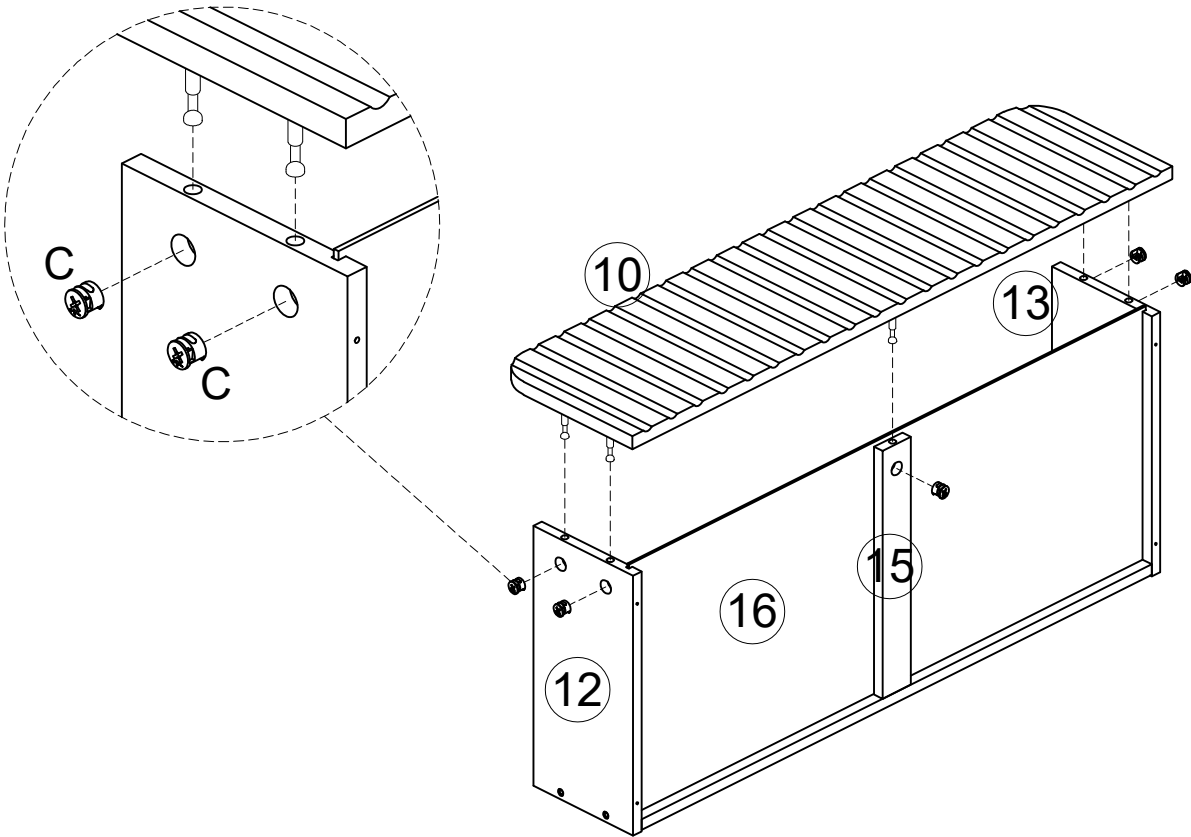
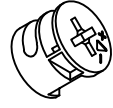


## STEP 17



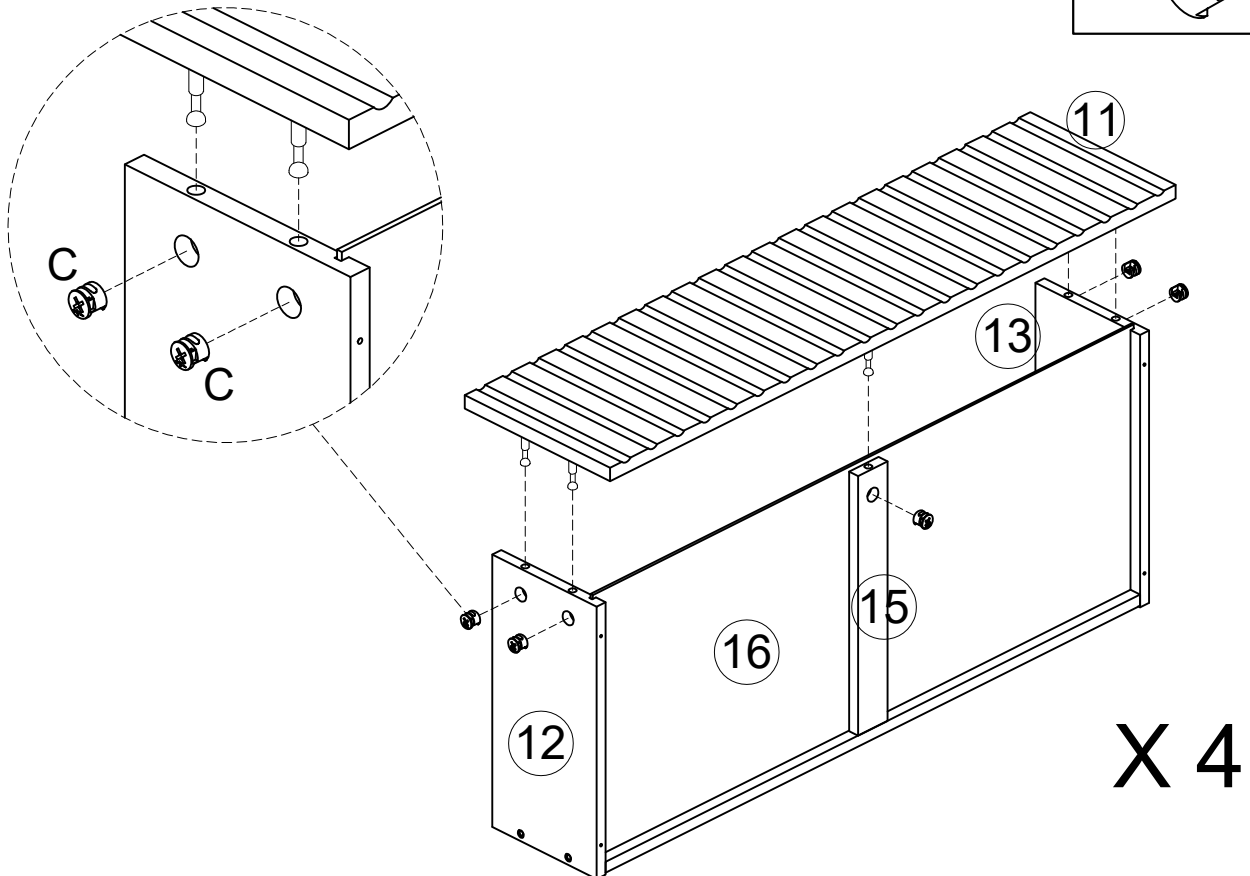
# STEP 18

C X5

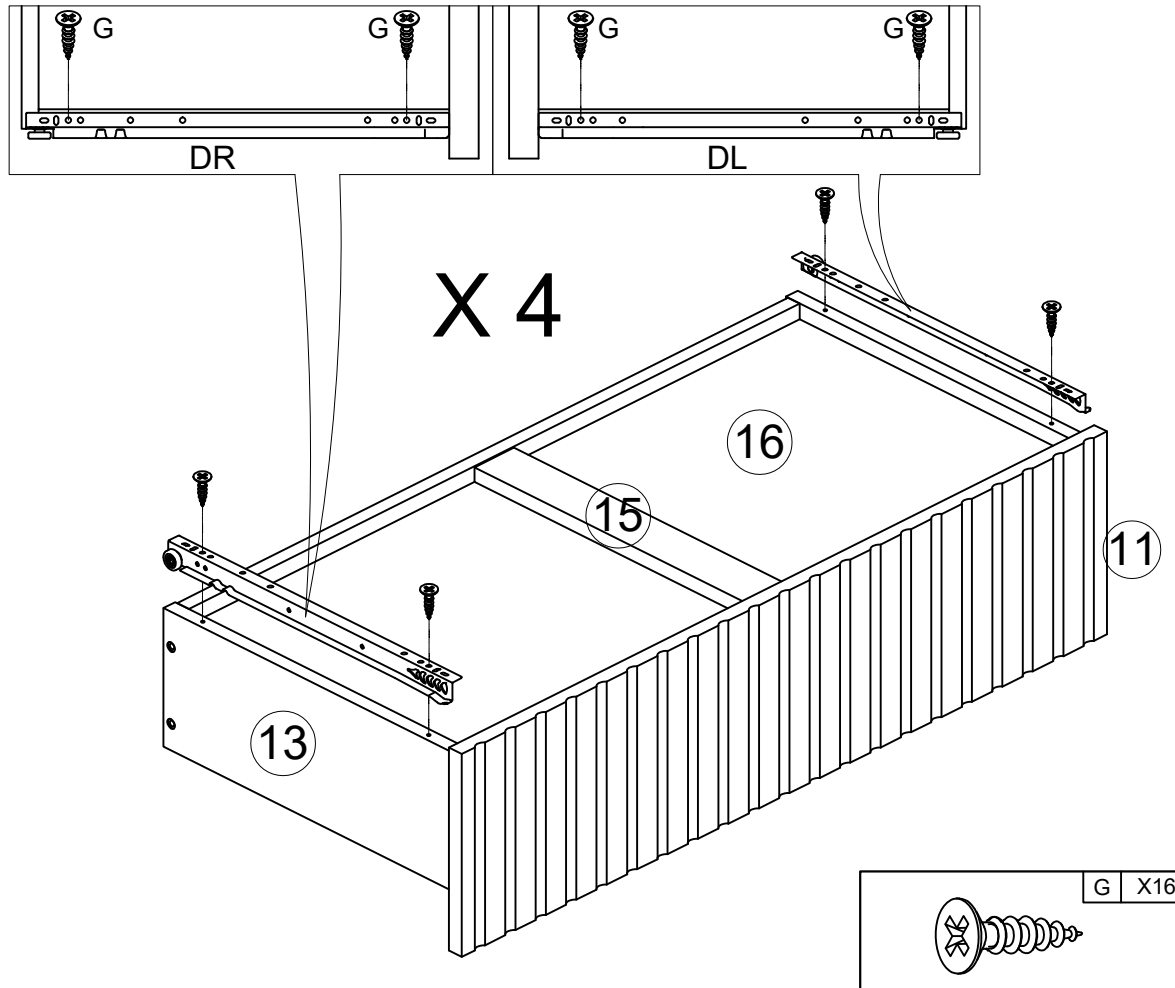


# STEP 19

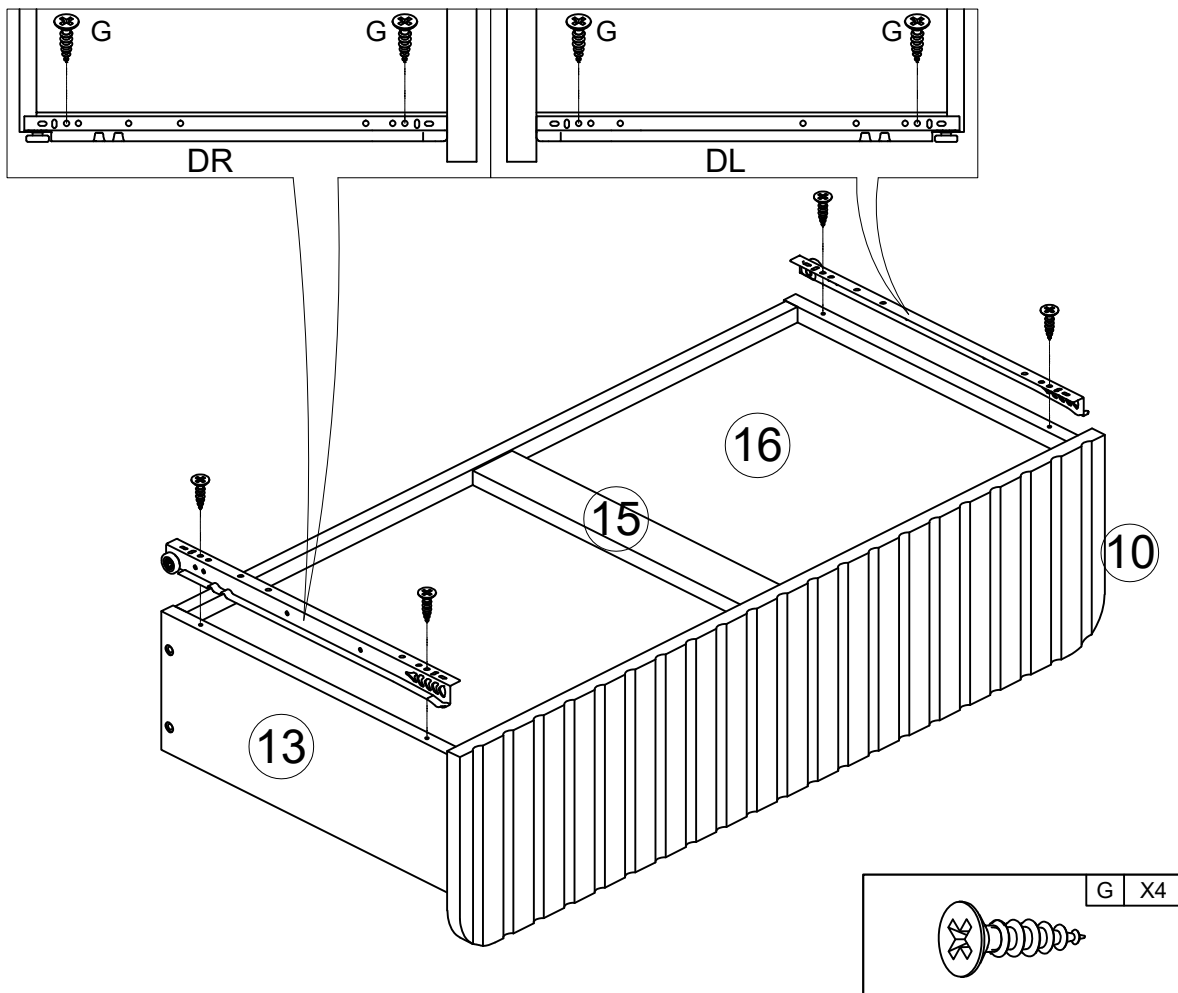
C X20



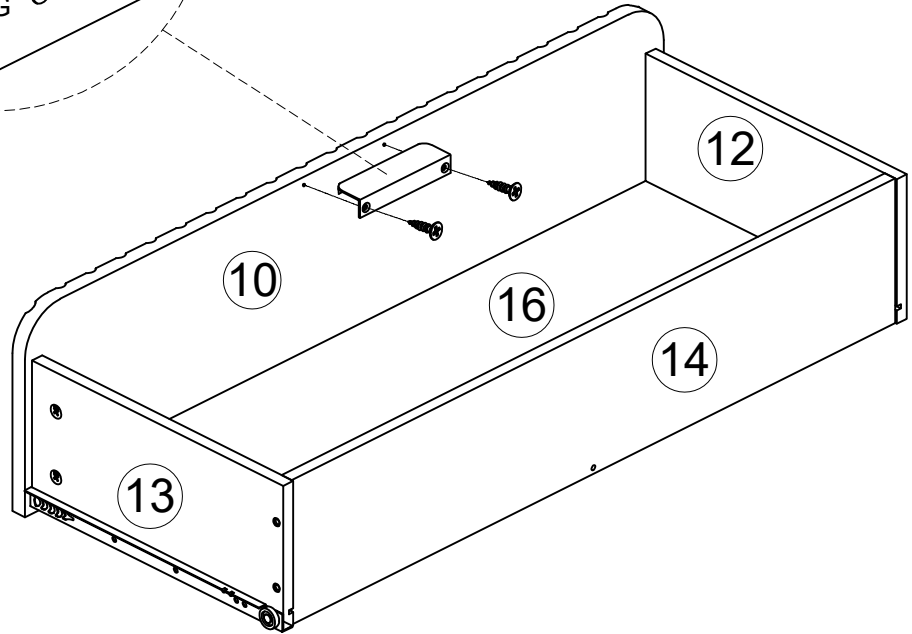
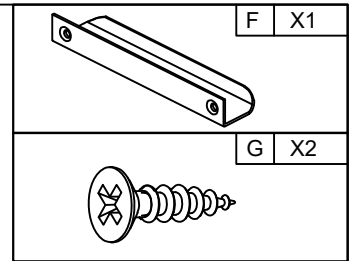
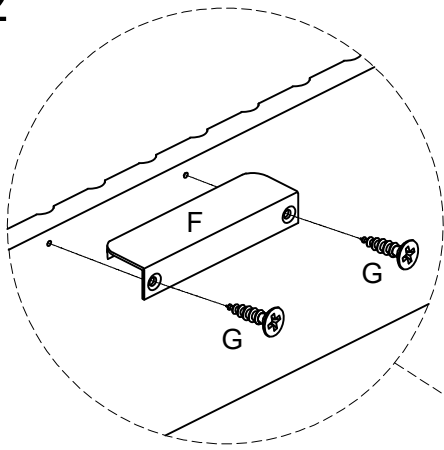
# STEP 20



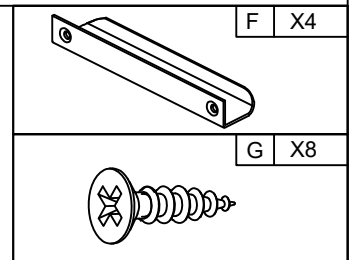
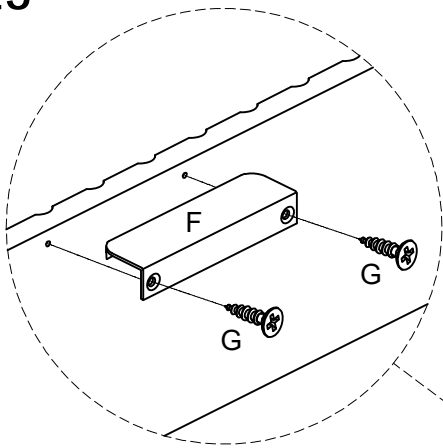
# STEP 21



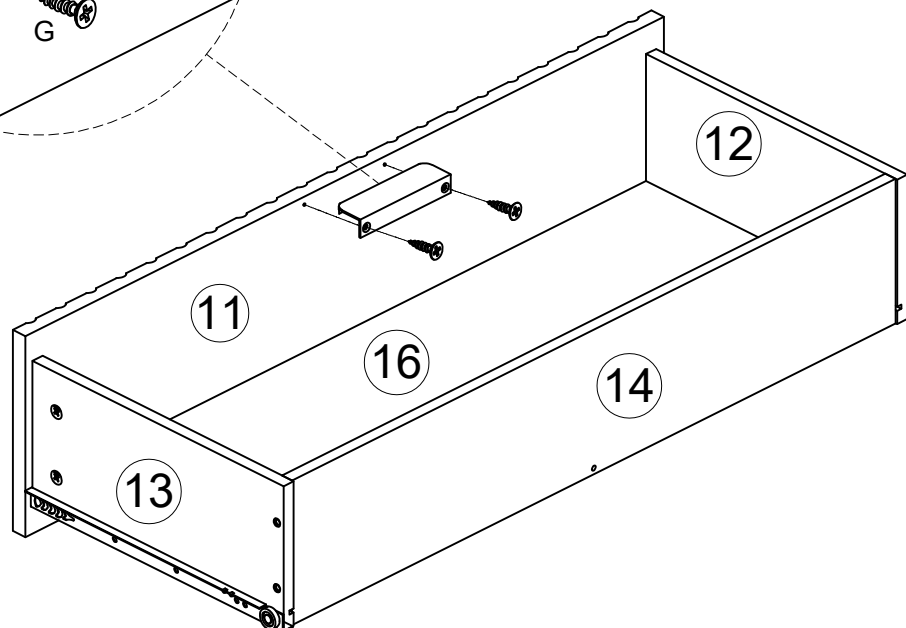
# STEP 22



# STEP 23

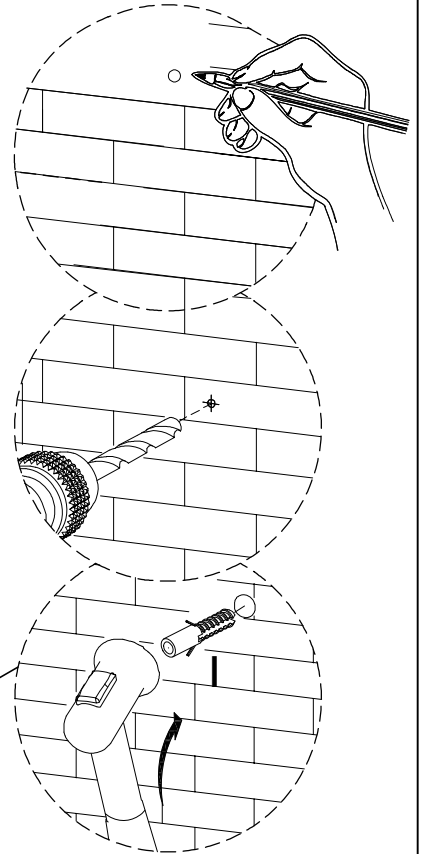
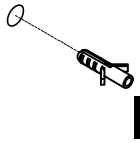
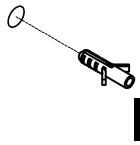
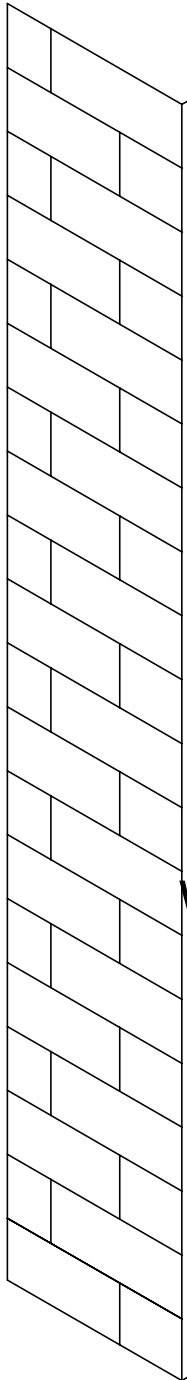
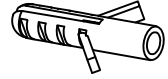


X 4



# STEP 24

I X2

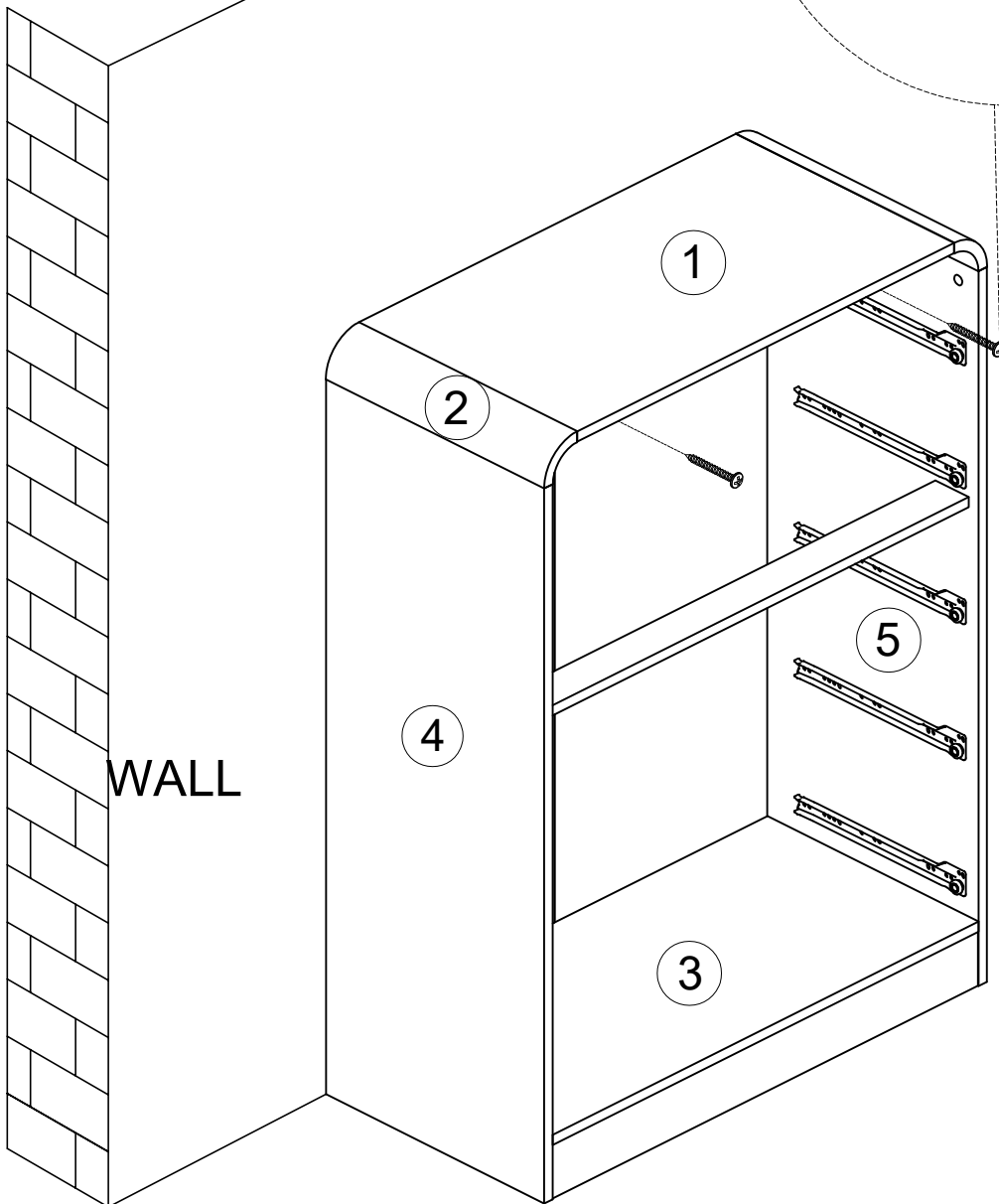
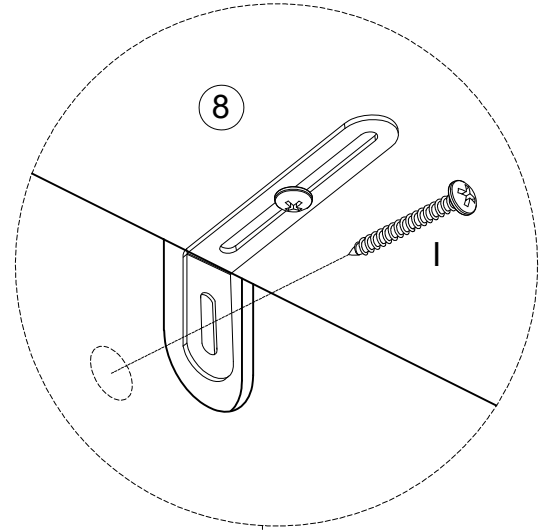


WALL

First mark the wall with a pencil, drill the hole to a depth of about 30mm, and knock in the accessory (I)

# STEP 25

I X2



# STEP 26

