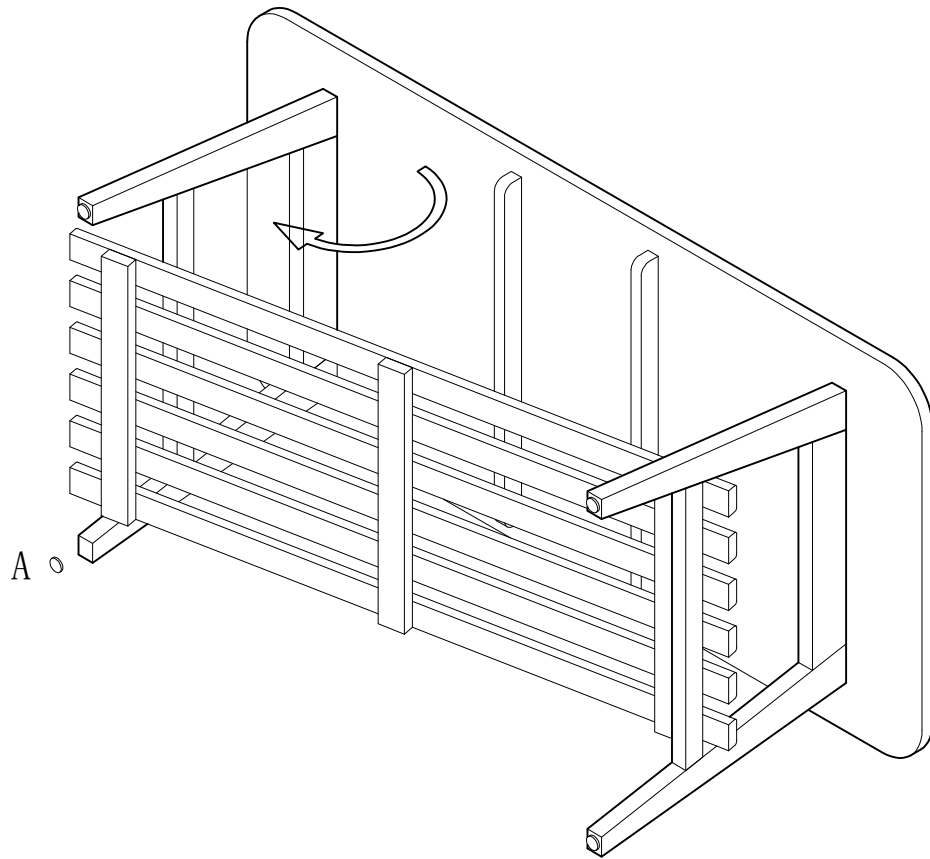
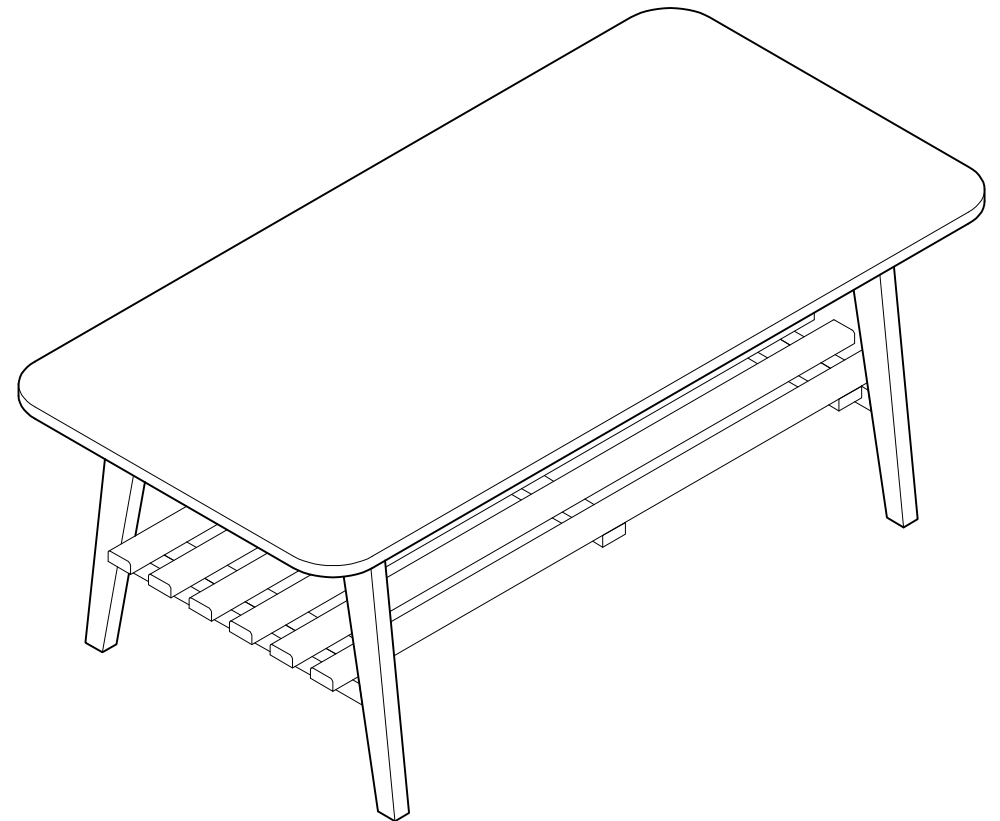


RF-HD666-HD667

○	A	4	Φ 20*3
---	---	---	--------



Step 1: Open the leg frame, insert the bottom frame, and attach the foot pads.  
(Place a soft material underneath to prevent scratches.)



Step 2: Installation complete.