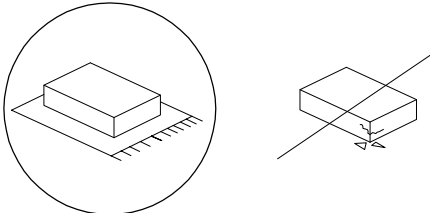

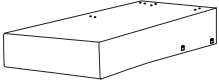
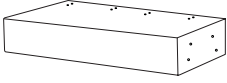

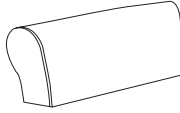

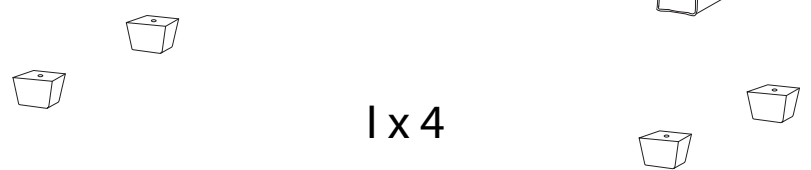
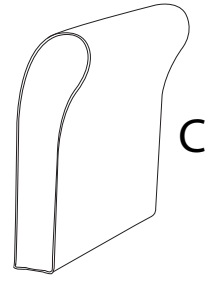
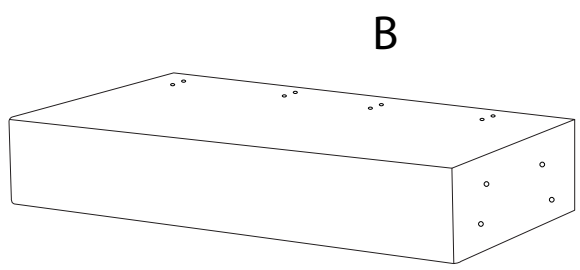
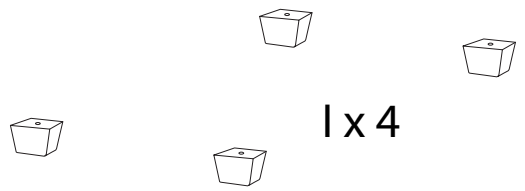
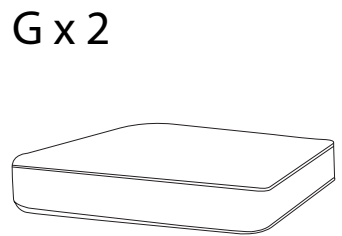
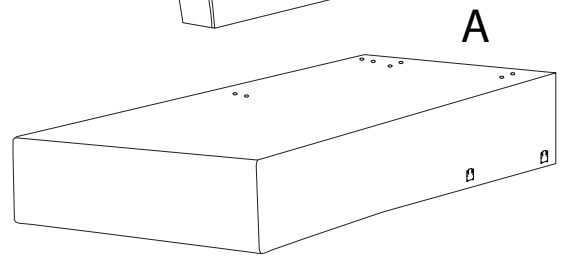
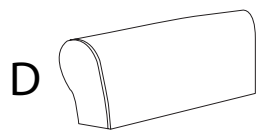
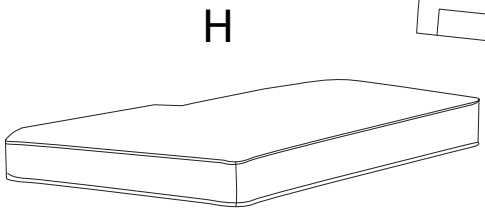
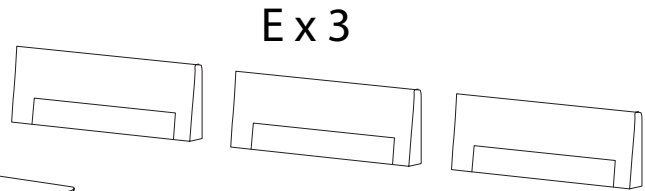
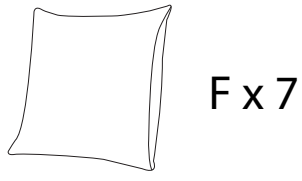
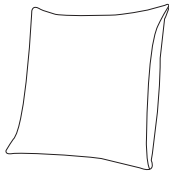
	<p>45'</p>
		
		<p>1</p>

A	B	C	D	E
				
x1	x1	x1	x1	x3



F



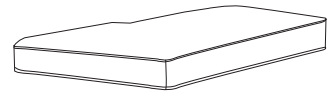
x 7

G



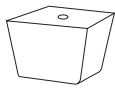
x 2

H



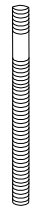
x 1

I



x 8

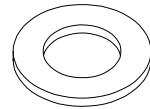
J



M6
x
70

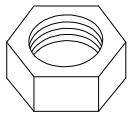
x 20

K



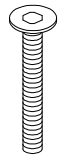
x 20

L



x 20

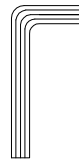
M



M6
x
50

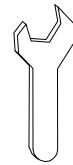
x 8

N



x 1

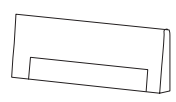
O



x 1

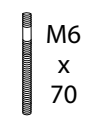
1 x 3

E

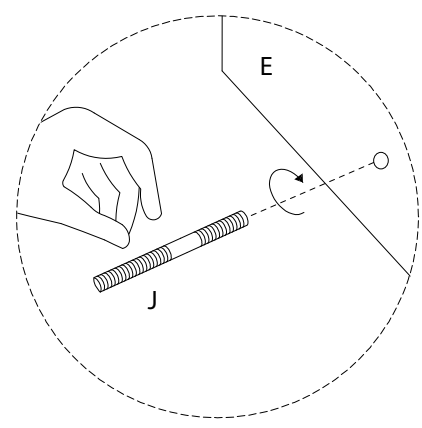
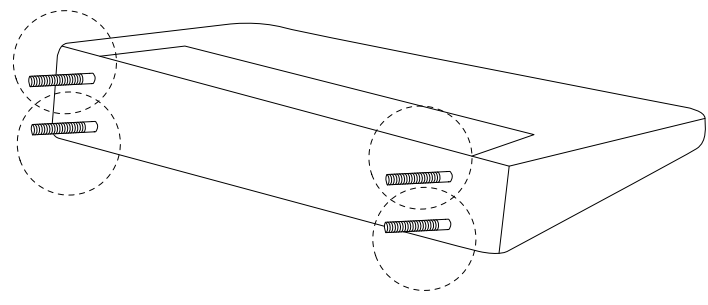


x 1

J



x 4



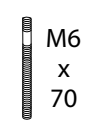
2

C

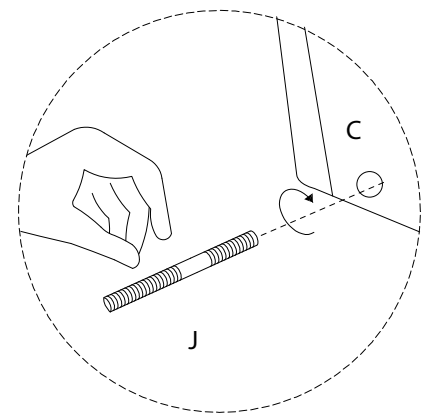
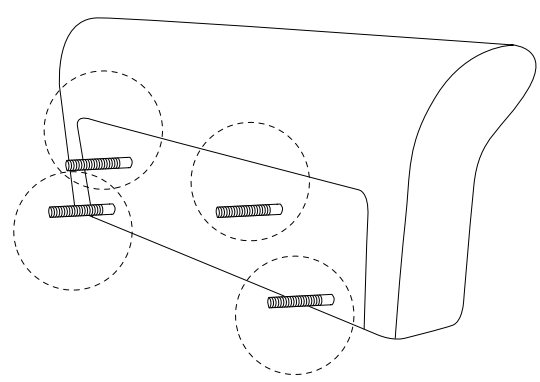


x 1

J

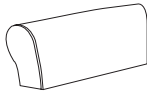


x 4



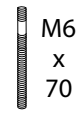
3

D

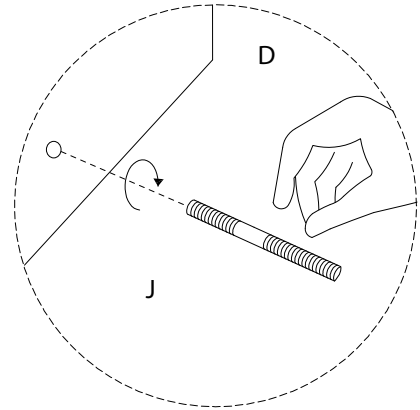
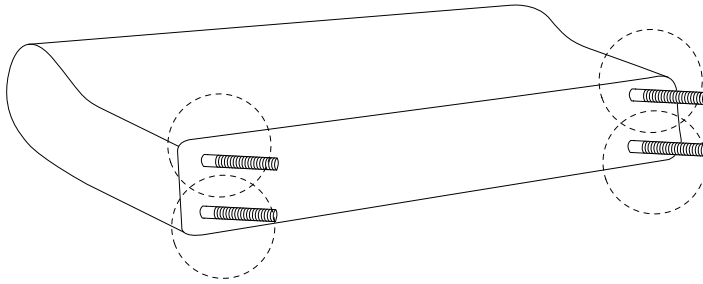


x 1

J

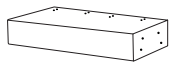


M6
x
70
x 4



4

B



x 1

K



x 8

L

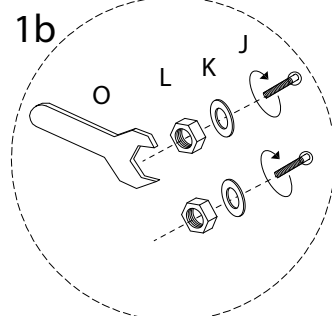
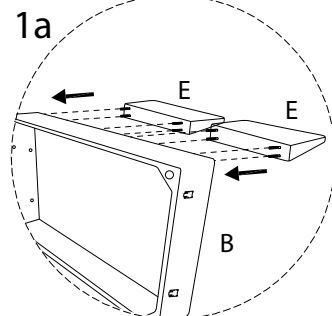
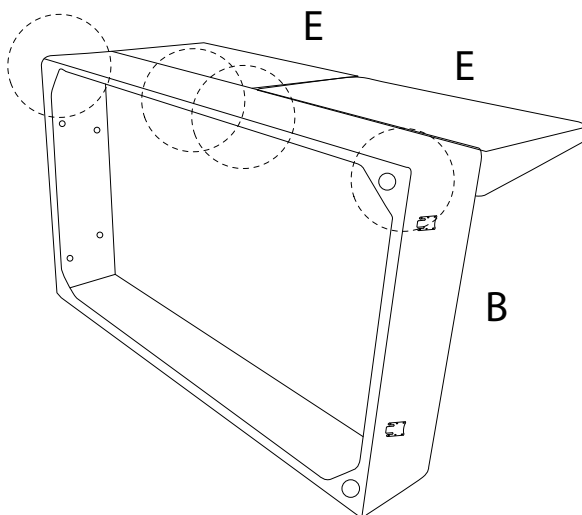


x 8

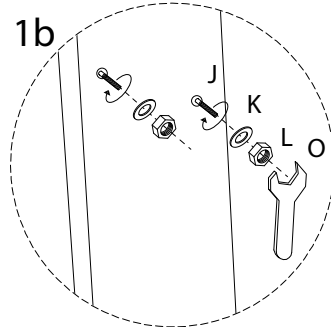
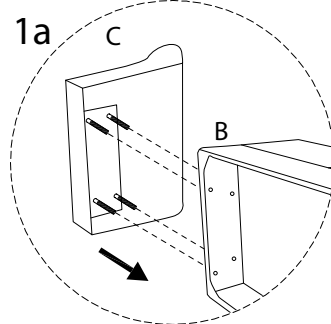
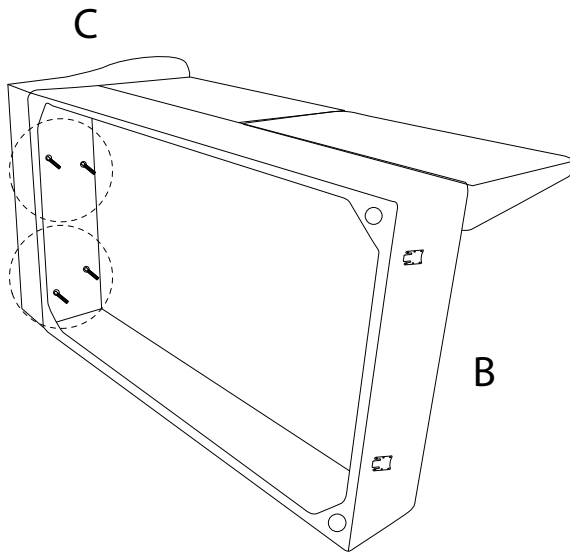
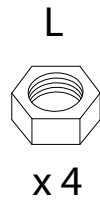
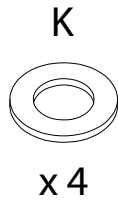
O



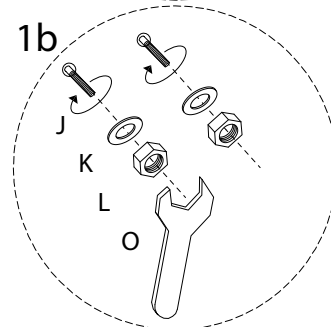
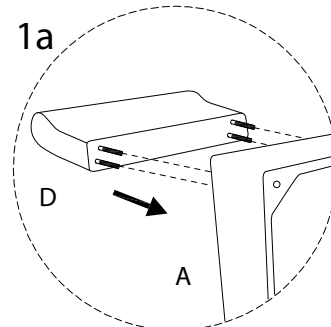
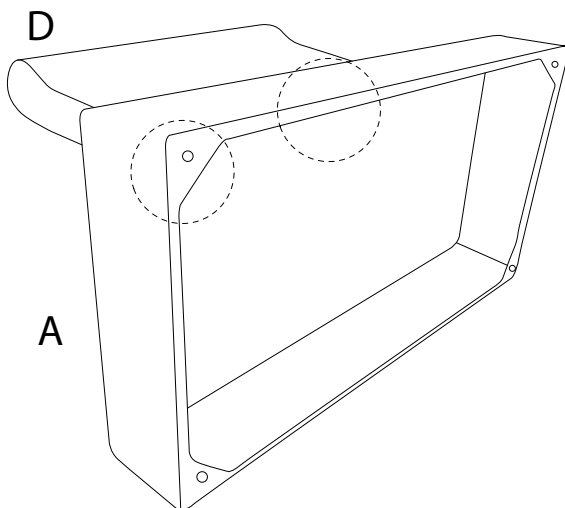
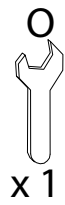
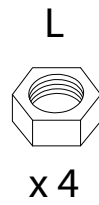
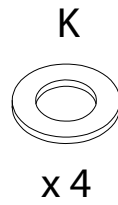
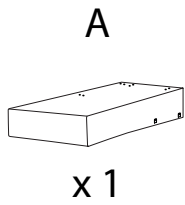
x 1



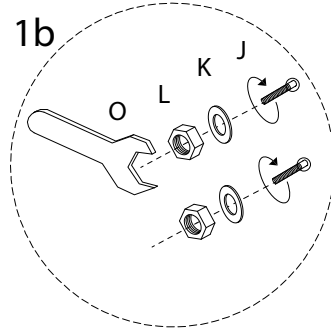
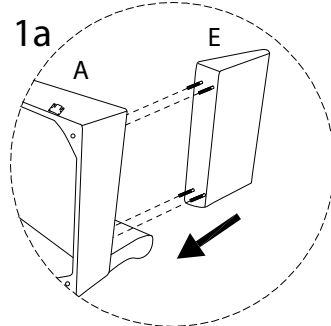
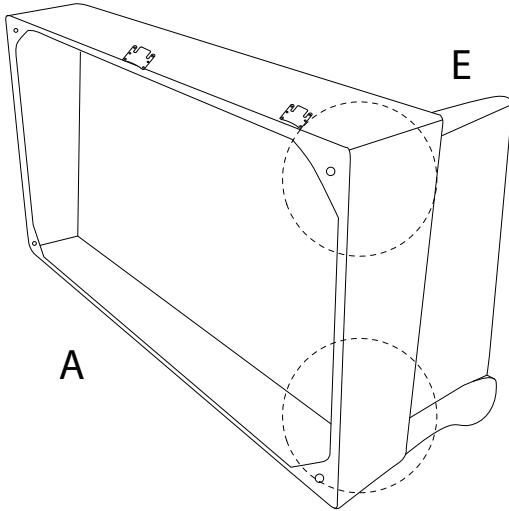
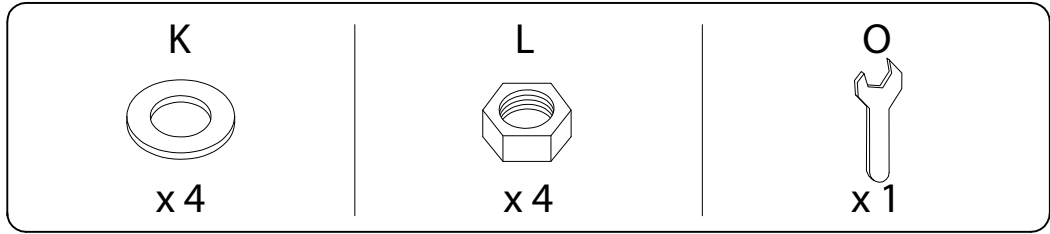
5



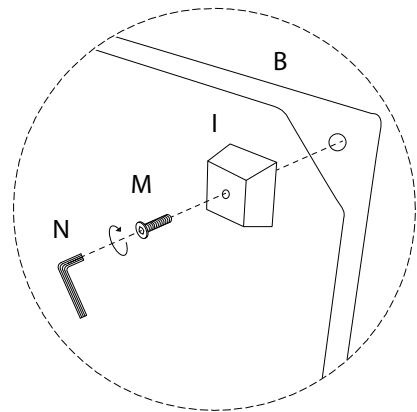
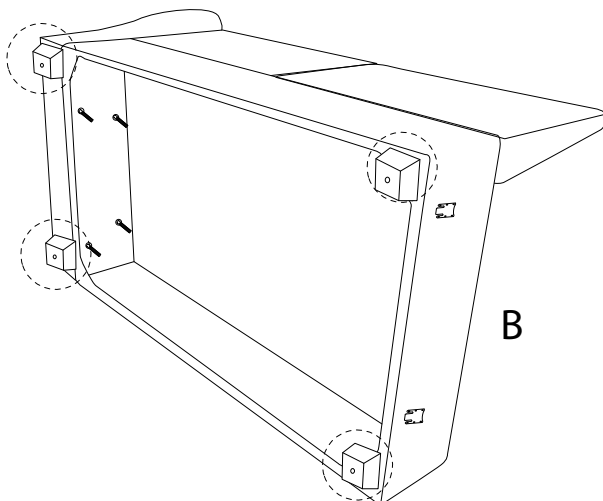
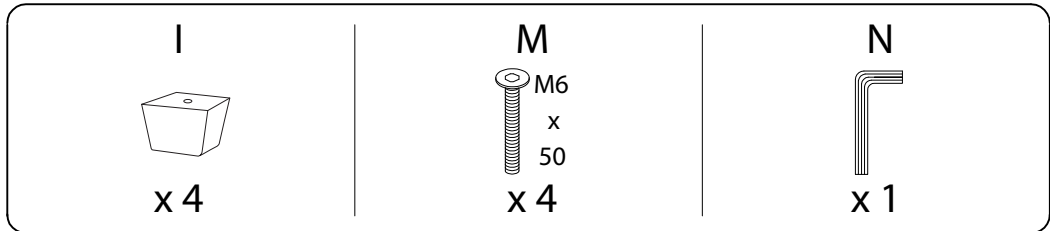
6



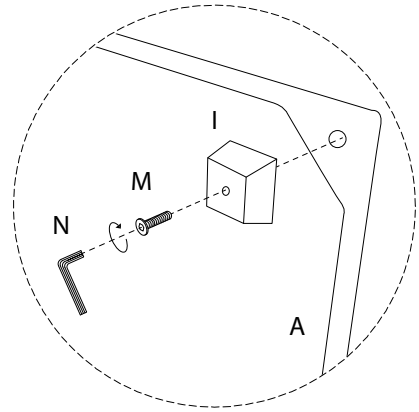
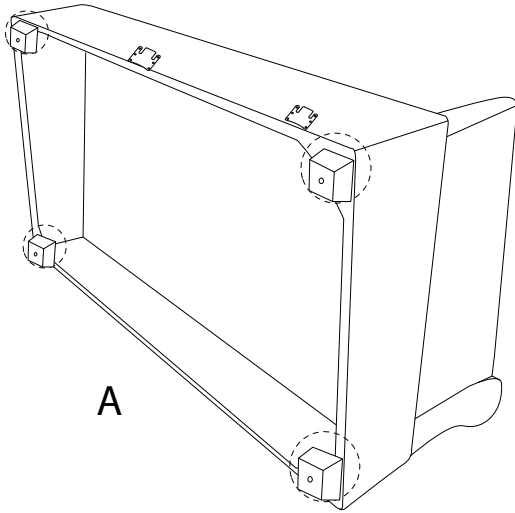
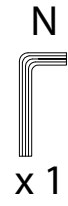
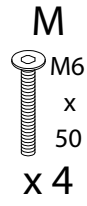
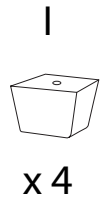
7



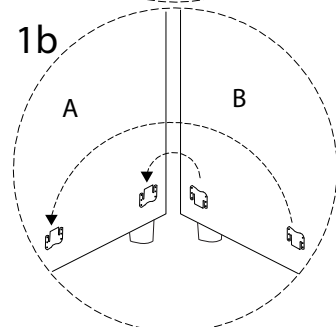
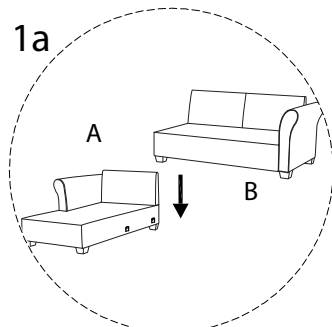
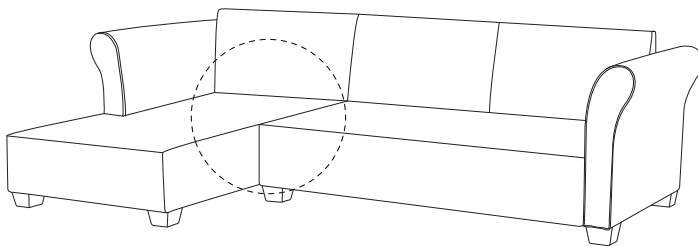
8



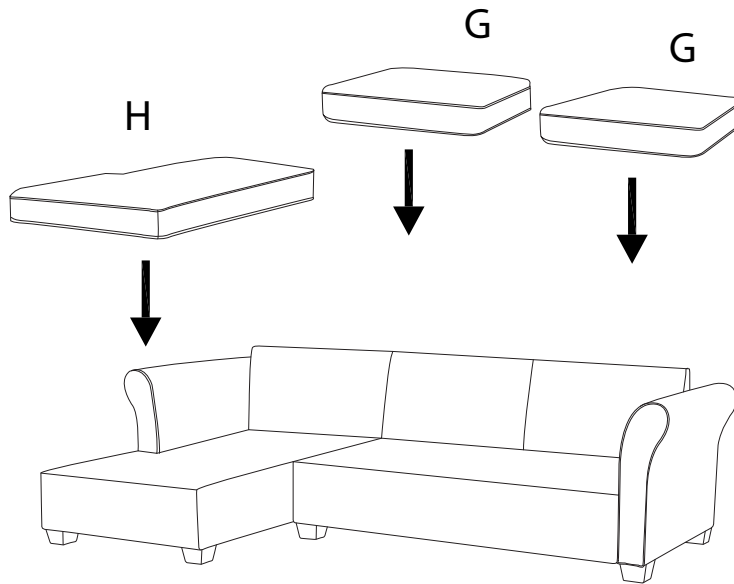
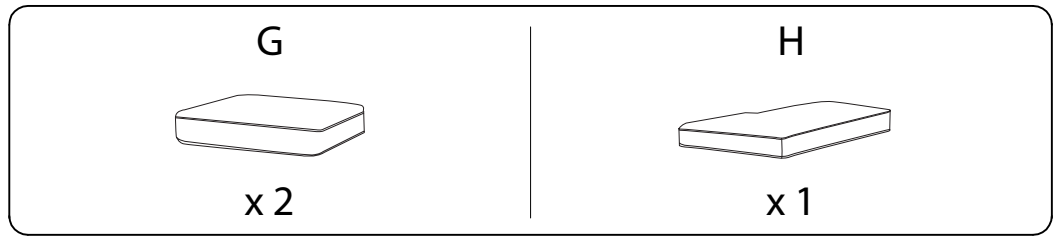
9



10



11



12

