

## **WARRANTY**

We strive to offer high-quality product and we also try our best to satisfy each customer that orders from us with product or service as needed.

Each customer a record of their order such as the order number, or item receipt for any items that are out of the warranty period you may also still receive replacement parts by purchasing them with our company if they are available.

**Are you having difficulty  
with assembly? Missing parts?**

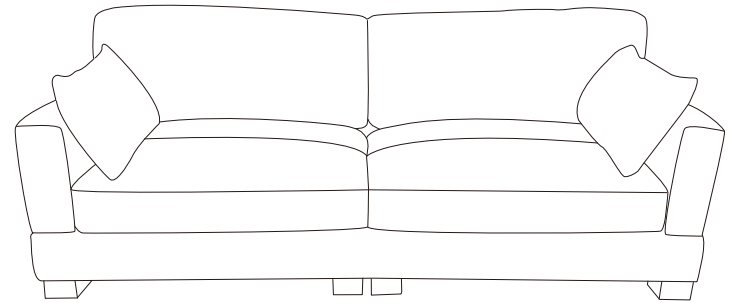
**Please contact us : [info@firststopintl.com](mailto:info@firststopintl.com)  
telephone No.: 5627813327**

**send an email with your order No. to us**

**For return, please check the return policy with  
the retailer or market place you bought from.**

**Appreciate your purchasing from us.**

**Pop up your life by our furniture !**

The logo for Wixe, featuring the word "wixe" in a bold, lowercase, sans-serif font. The letter "i" is stylized with a grey dot and a grey vertical bar, and the letter "x" is also grey.

**ITEM NO. CS0006-ARM GHAIR**

---

### **NOTE:**

This brochure contains IMPORTANT safety info. Please read and keep for future reference.

---

# MAINTAINANCE AND WARNING

- Keep furniture away from heat and fire.
- Keep furniture away from sharp objects.
- Do not clean furniture with harsh cleansers or polish. Do not use detergents, Solvents, abrasives, spray packs or leather cleaner. Use non-color mild soap with warm water clean spills(Mix 1:10 soap to water)
- Do not place furniture under direct sunlight, material will possibly fade over time.
- Do not jump or strike on the furniture.
- Do not write on furniture without a padded barrier to protect the surface.
- Not for commercial use, For residential use only.

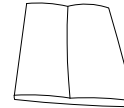


Weight Limitation

**400LBS**

# PARTS LIST

A\*2



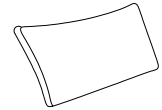
Seat cushion

B\*2



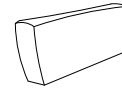
Back cushion

C\*2



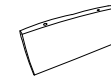
Armrest cushion

D\*2



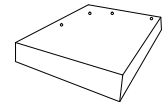
Armrest frame

E\*2



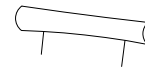
Backrest frame

F\*1



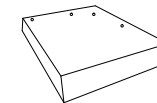
Sofa frame

G\*2



Headrest

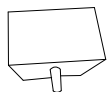
H\*1



Sofa frame

# HARDWARE and TOOL LIST

I\*8



Sofa foot

K\*8



Screw

J\*8



Screw handle

L\*1



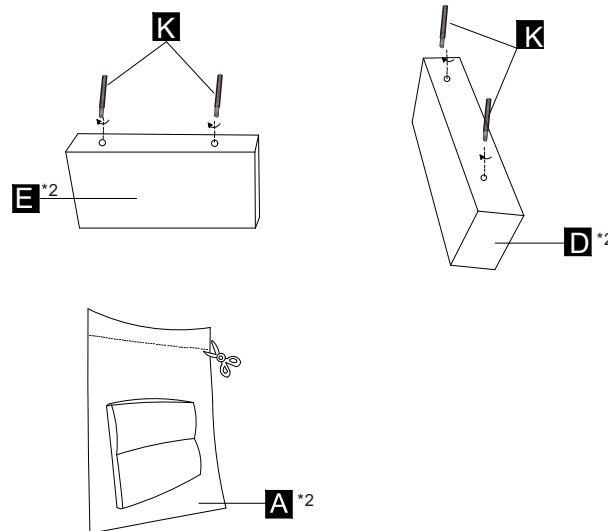
Hook

Be sure to check all packing material fitting the packing list. Be careful for small parts, which may have come loose inside the carton during shipment.

# ASSEMBLY INSTRUCTIONS

## step 1

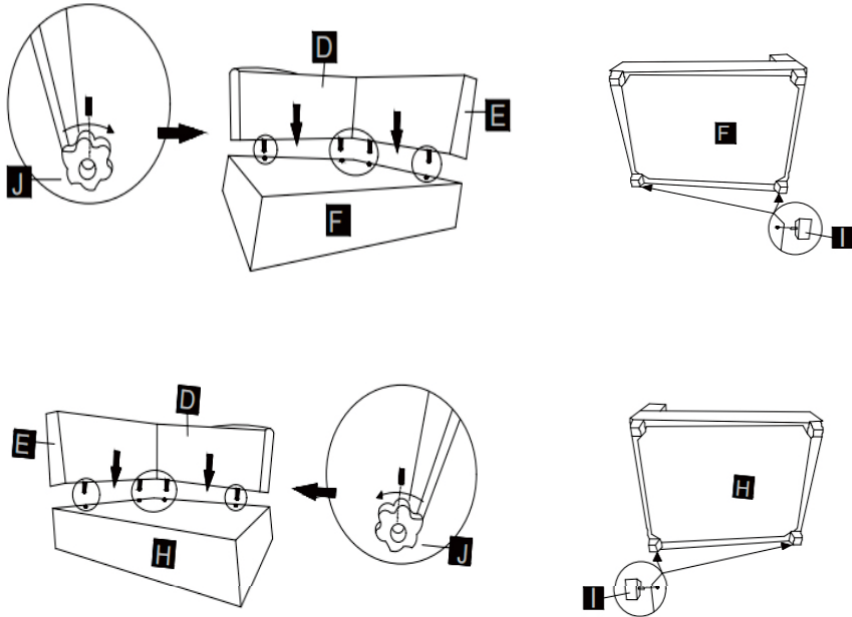
Turn screw insert into hole until halfway



Take the cushion out of the compression bag and allow it to recover for a period of time, it takes about 24 hours for the cushion to fully recover, and you can slap the cushion to speed up the recovery.

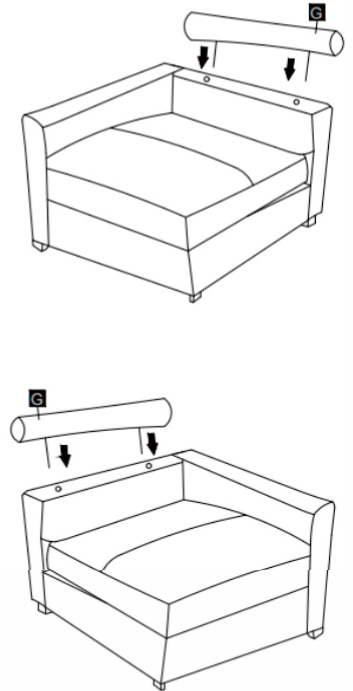
## step2

Fix screws with screw handle

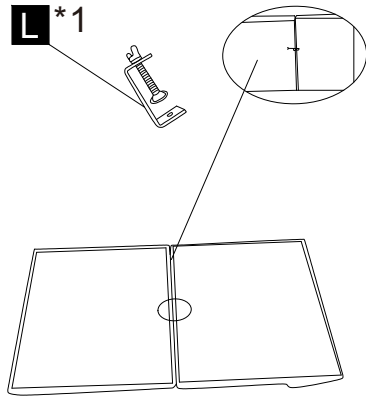


Insert the other end of the screw installed on the armrest and the backrest in the previous step into the hole reserved in the seat frame, then stand the seat frame on its side and turn it clockwise from the bottom of the seat with the screw handle until the armrest and the backrest are completely fastened.

## step3



## step4



One hook in each seat spare parts bag

There is a metal hook connectors inside the carton of the left and right unilateral sofa, and if you are using a unilateral sofa, this hook is not useful. If you need to use the left and right unilateral sofa together, please place the bottom of the left and right sofa upward on a clean plane before the rod pillow at the top of the back is inserted, align the left and right unilateral sofa before and after and try to keep it close, use the metal hook in the packing box, seize the combined sofa 20 cm away from the front and back of the sofa, and then tighten the screw. Turn the assembled sofa tightly together, face up, and insert the cylindrical pillow.

Since there is a sponge on the outside of the wooden frame of the sofa, the two parts need to be squeezed tightly when fixed with the buckle.

## step5

