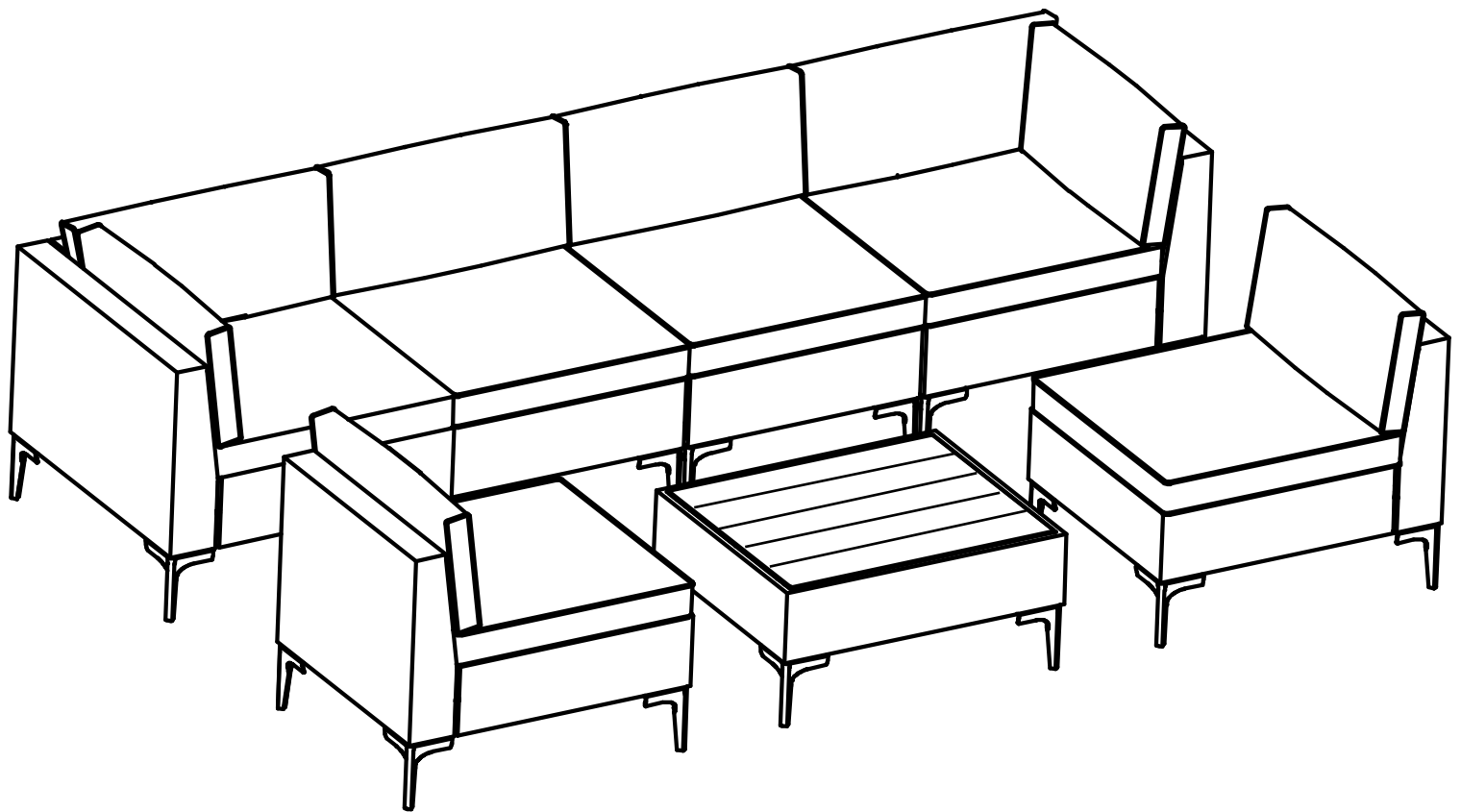


# Patio Furniture Set ASSEMBLY INSTRUCTIONS



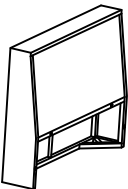
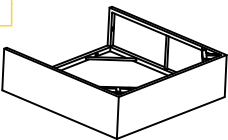
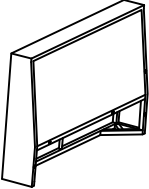
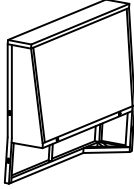
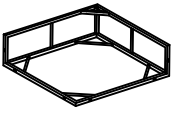

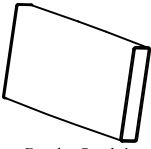
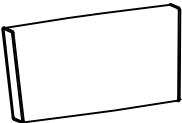





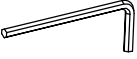
# ATTENTION

## **Thanks for choosing our product.**

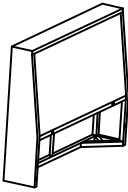
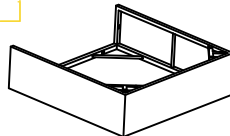
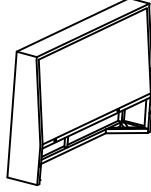
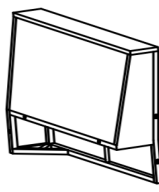
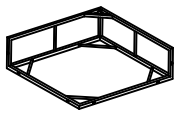

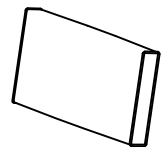
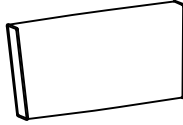

1. There will be 3 boxes in total for this whole product. Before assembling, please check you receive all the parts listed below. If there is any missing or damaged part, or if you have any question, please feel free to contact us
2. Two persons are recommended to assemble the set.
3. When assembling the 7 pieces patio set, we recommend not to tight the screws firmly until you have it all set up; this will allow you room for movement to match the orifices for the screws. Allen wrench is recommended instead of an electric drill.
4. Please don't put the furniture outside without any sunshades in rainy, snowy days. Waterproof cover is recommended for keeping it last several years.
5. Sometimes 3 boxes will not arrive in same date, please wait for 2-3 more days or contact us at anytime.

# Assembly Instruction

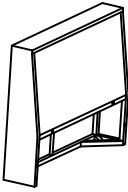
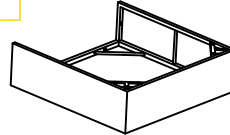
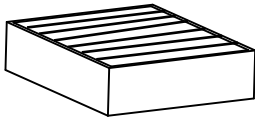

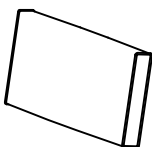

## Parts List(BOX A)

<p><b>A</b></p> 	<p><b>B</b></p> 	<p><b>C</b></p> 	<p><b>D</b></p> 	<p><b>E</b></p> 
1PCS	1PCS	1PCS	1PCS	1PCS
<p><b>H</b></p>  <p>Seat Cushion</p>	<p><b>I</b></p>  <p>Long Back Cushion</p>	<p><b>K</b></p>  <p>Short Back Cushion</p>		
2PCS	2PCS	1PCS		
<p><b>#1</b></p>  <p>M6*20mm</p>	<p><b>#2</b></p>  <p>M6*35mm</p>	<p><b>#3</b></p>  <p>M6</p>	<p><b>#4</b></p> 	<p><b>#5</b></p> 
84PCS	32PCS	116PCS	8PCS	10PCS
<p><b>#6</b></p>  <p>M6mm</p>				
2PCS				

## Parts List(BOX B)

<b>A</b>		<b>B</b>		<b>M</b>		<b>N</b>		<b>O</b>	
	1PC		1PC		1PC		1PC		1PC
<b>H</b>	 Seat Cushion	<b>I</b>	 Long Back Cushion	<b>K</b>	 Short Back Cushion	<b>#4</b>			
	2PCS		2PCS		1PC		8PCS		

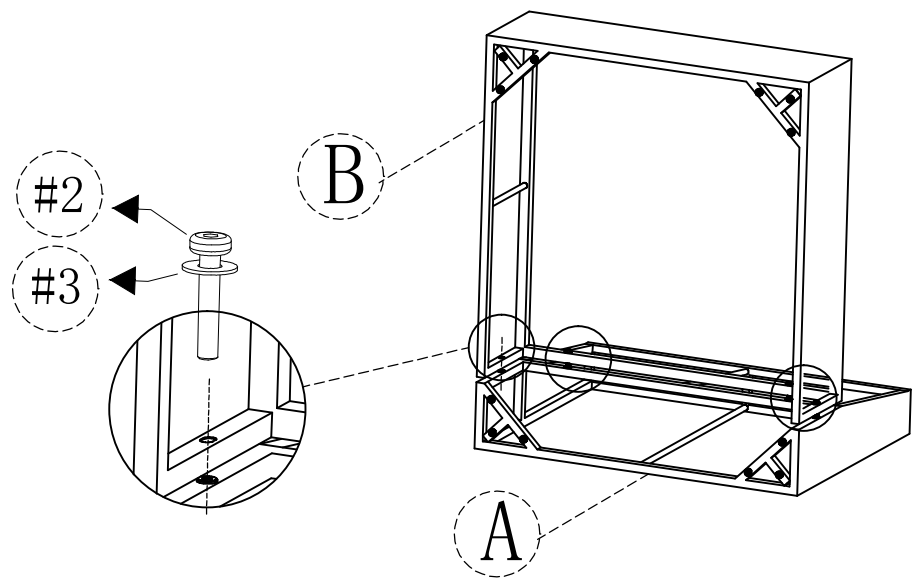
## Parts List(BOX C)

<b>A</b>		<b>B</b>		<b>F</b>		<b>H</b>	 Seat Cushion	<b>I</b>	 Long Back Cushion
	2PCS		2PCS		1PC		2PCS		2PCS
<b>#4</b>									
	12PCS								

# Single Sofa Assembly

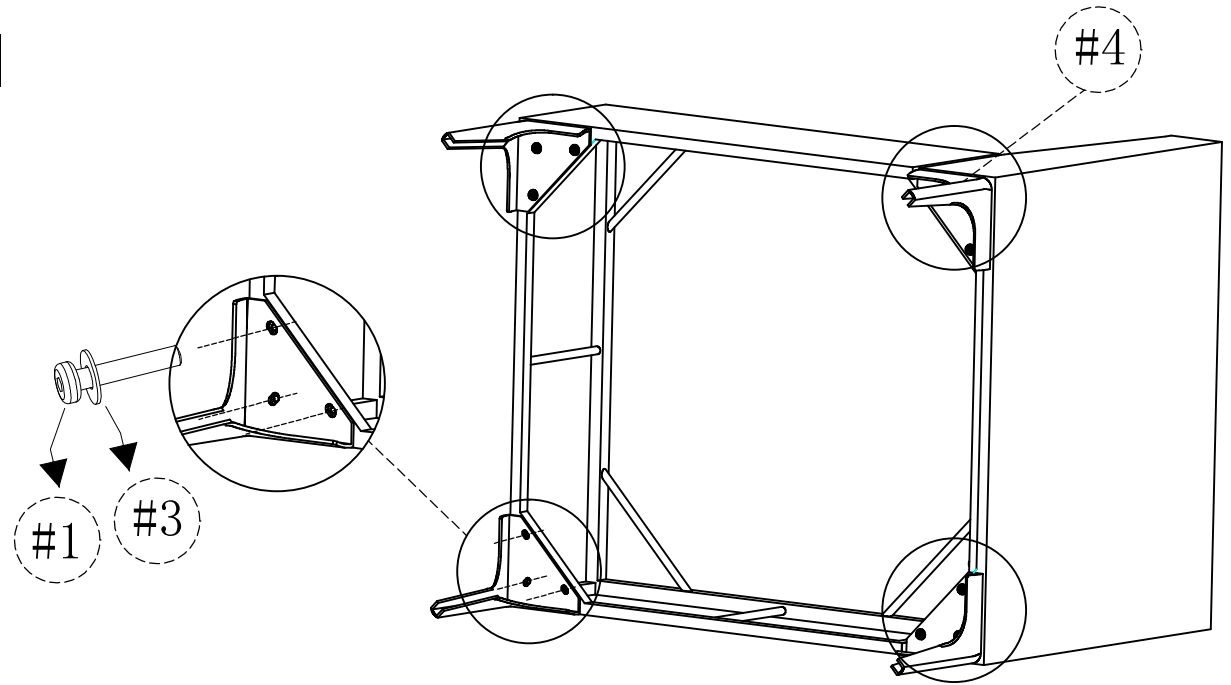
## STEP 1

- A\*1
- B\*1
- #2\*4
- #3\*4



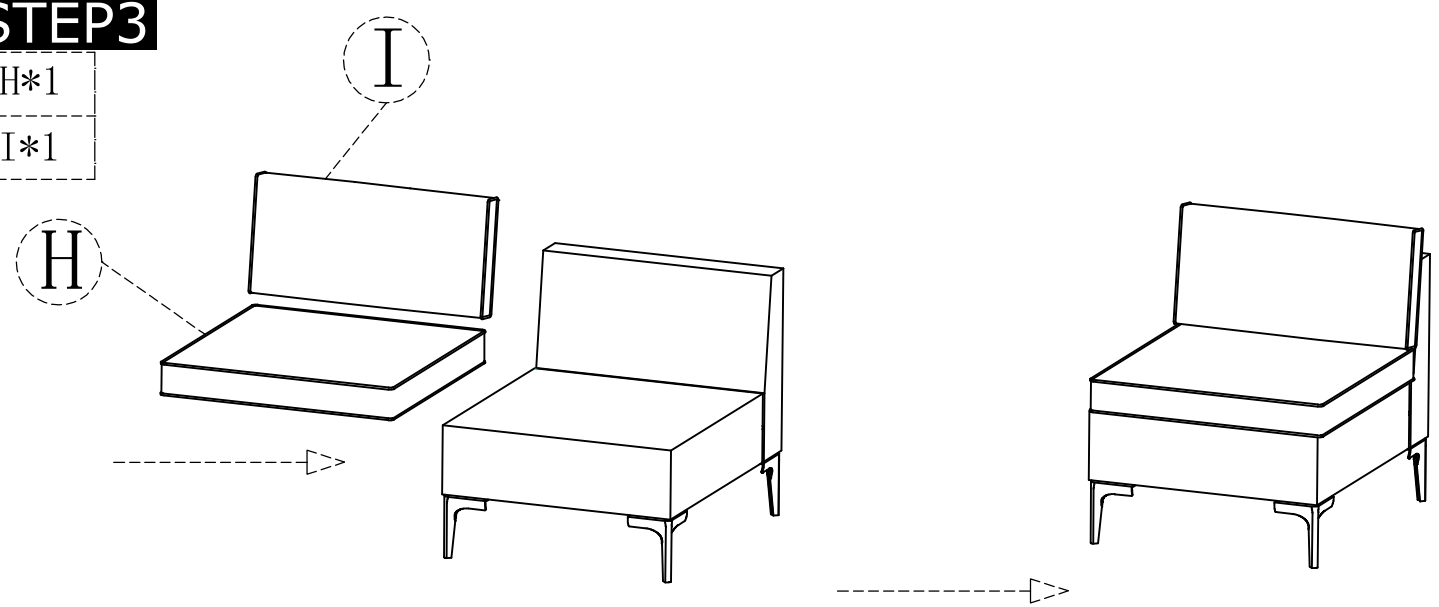
## STEP 2

- #4\*4
- #1\*12
- #3\*12



## STEP 3

- H\*1
- I\*1



# Left Corner Sofa Assembly

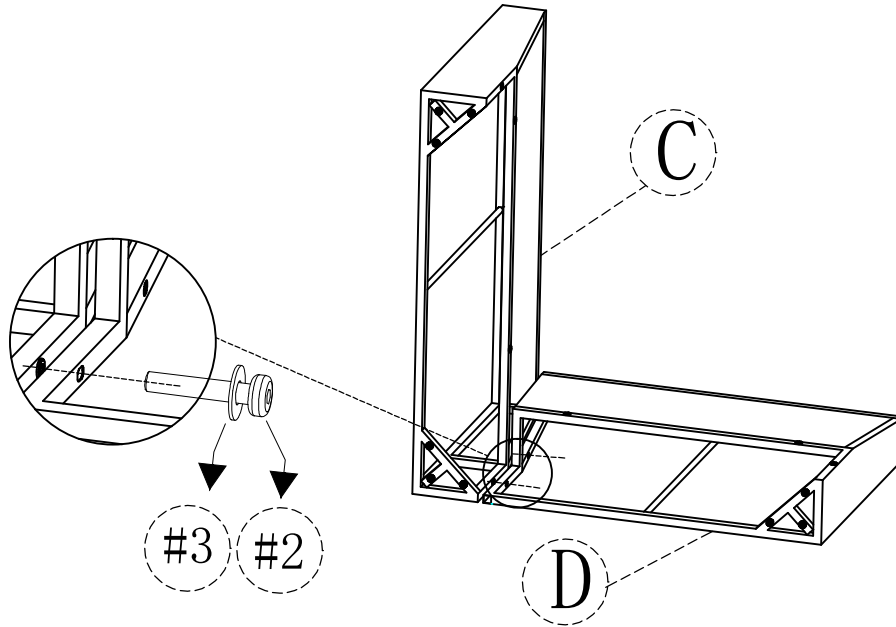
## STEP 1

C\*1

D\*1

#2\*2

#3\*2

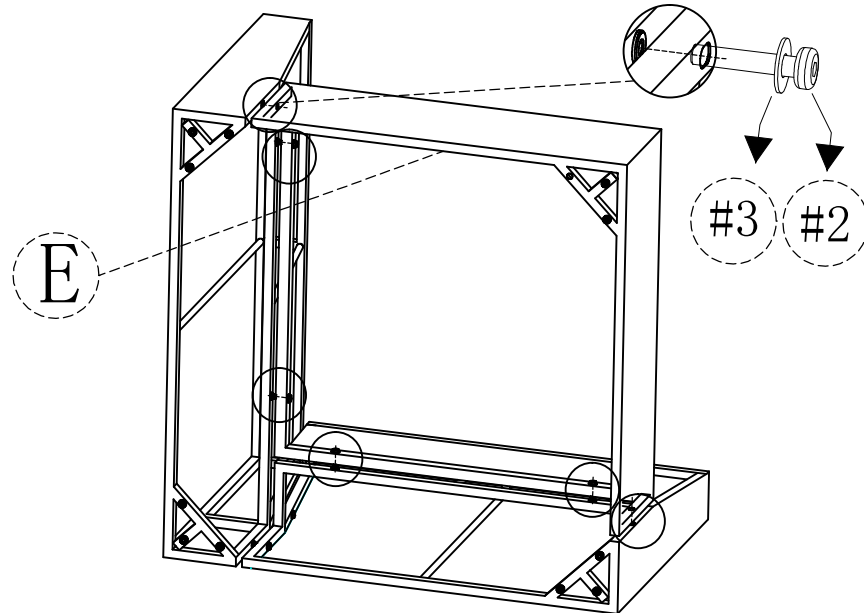


## STEP 2

E\*1

#2\*6

#3\*6

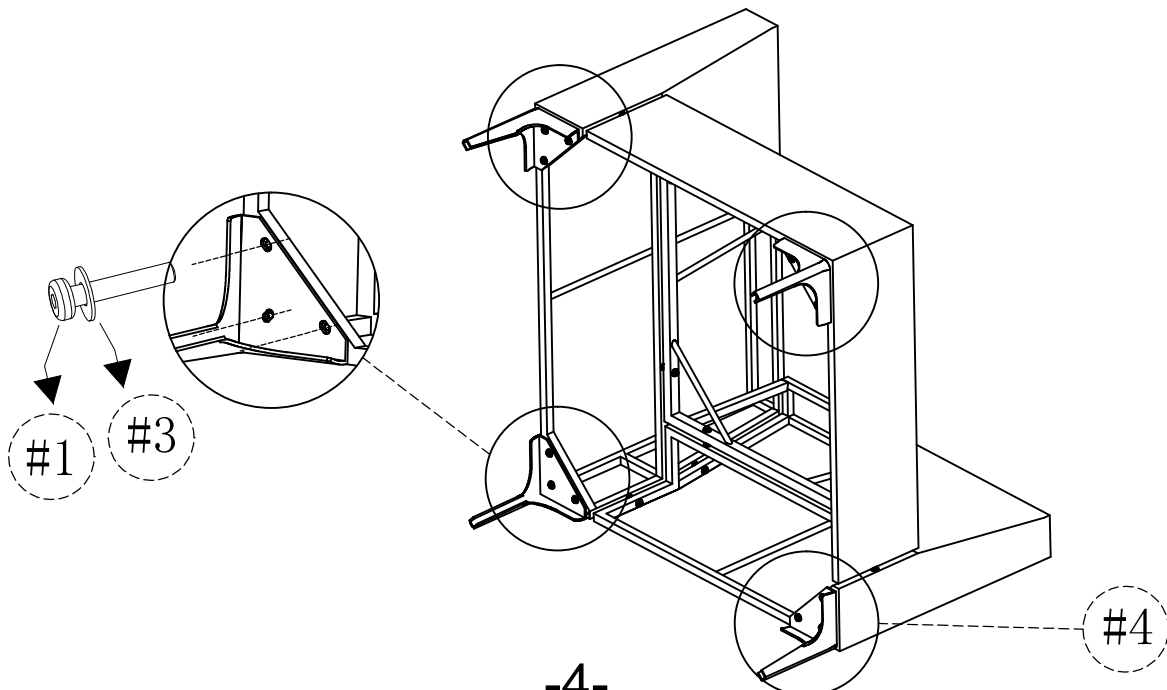


## STEP 3

#4\*4

#1\*12

#3\*12



# Right Corner Sofa Assembly

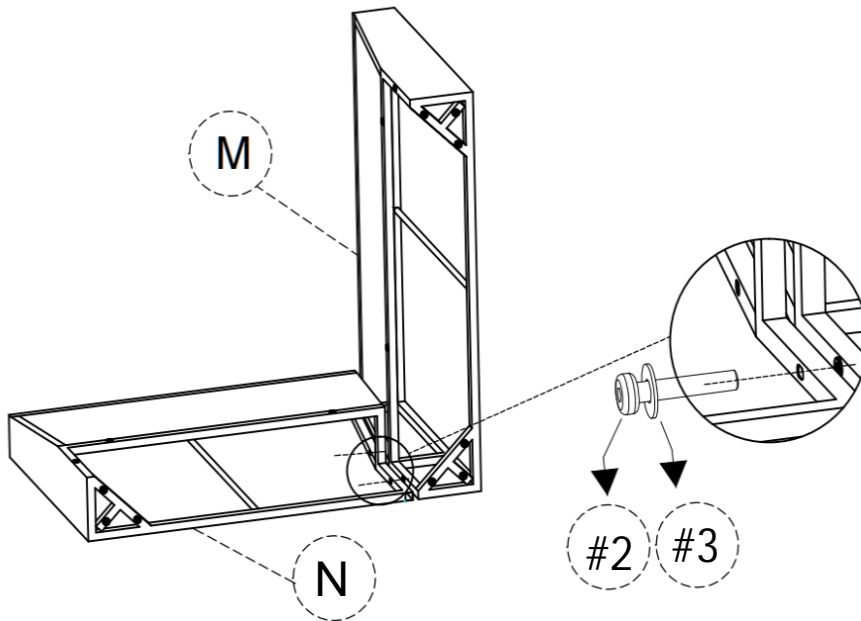
## STEP 1

C\*1

D\*1

#2\*2

#3\*2

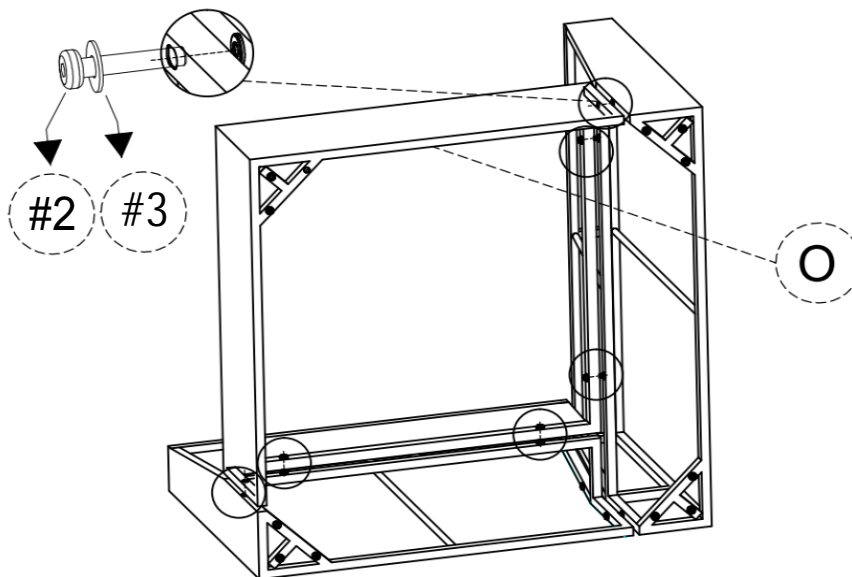


## STEP 2

E\*1

#2\*6

#3\*6

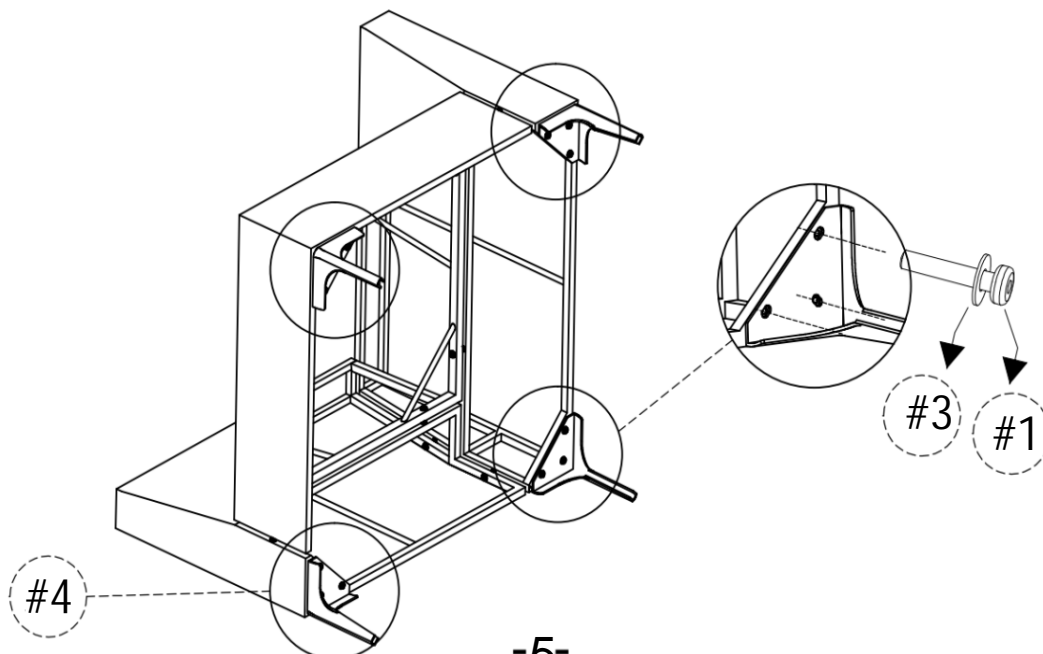


## STEP 3

#4\*4

#1\*12

#3\*12

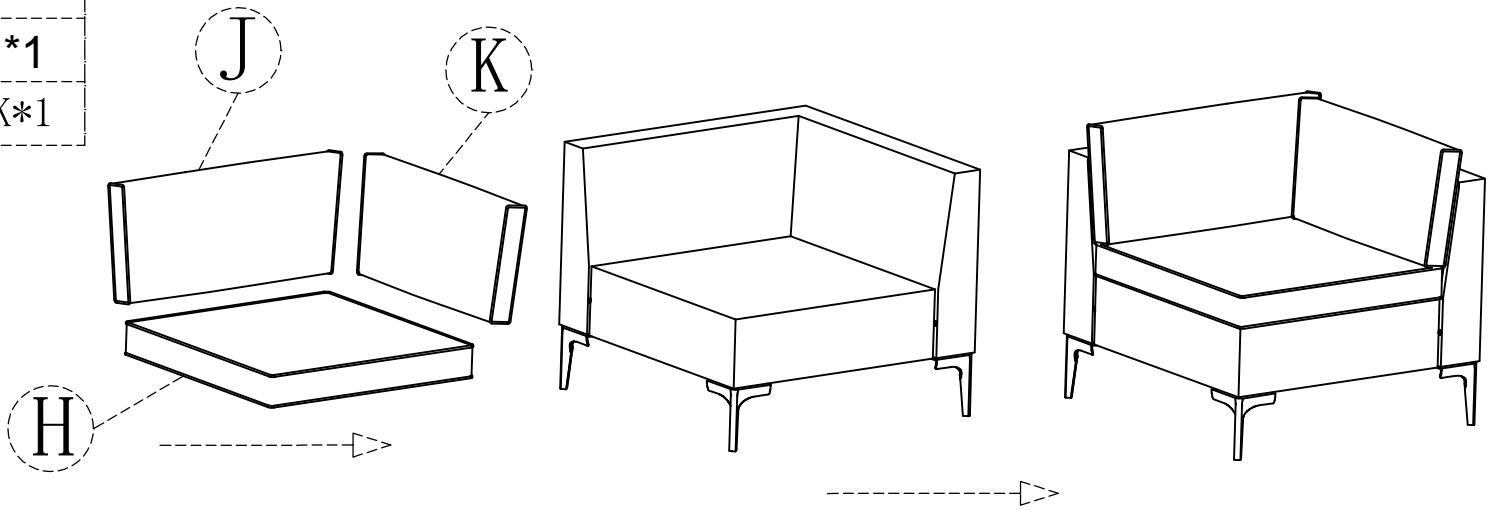


# STEP 4

H\*1

I\*1

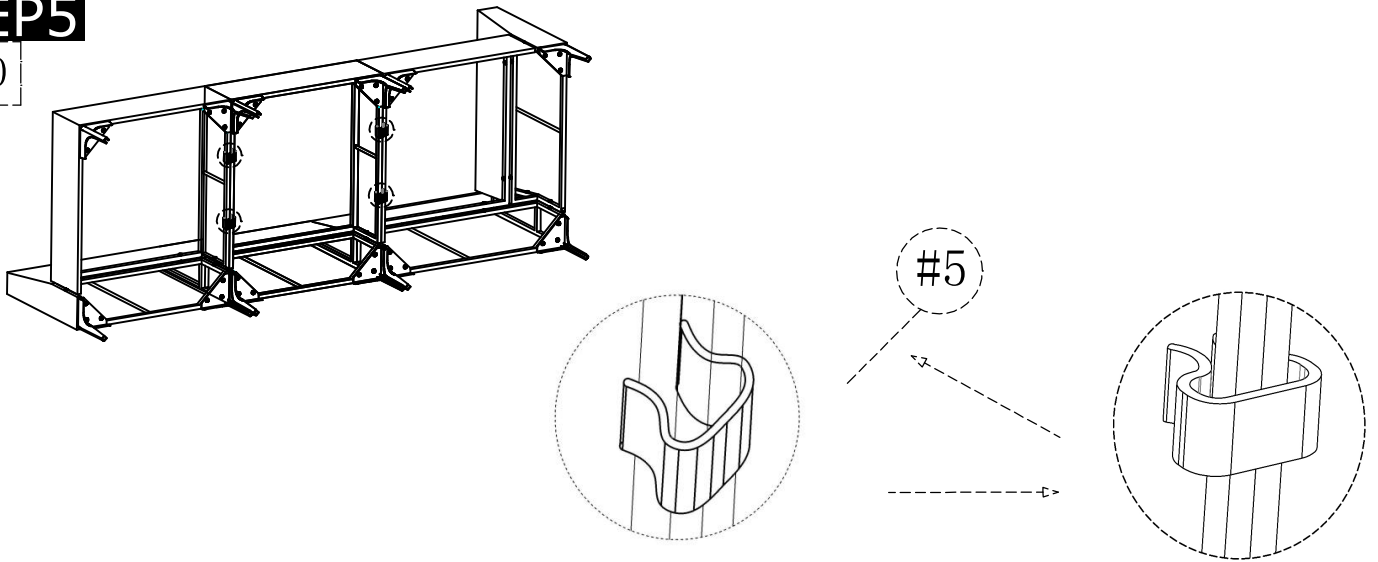
K\*1



## Clips Assembly

# STEP 5

#5\*10



Use clips to keep the sofas connected

# Table Assembly

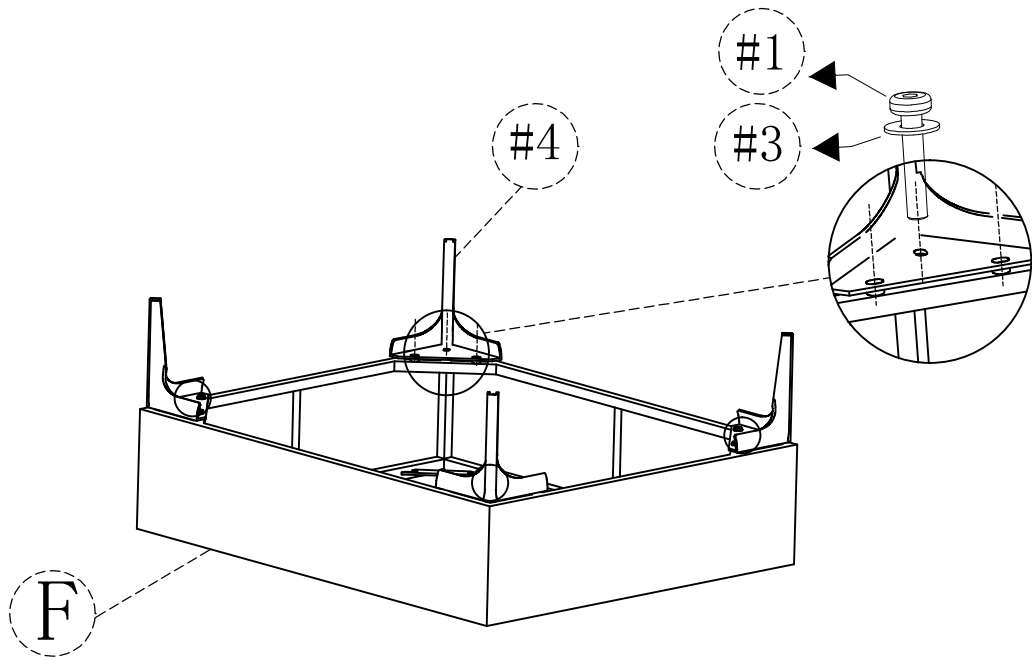
## STEP 1

F\*1

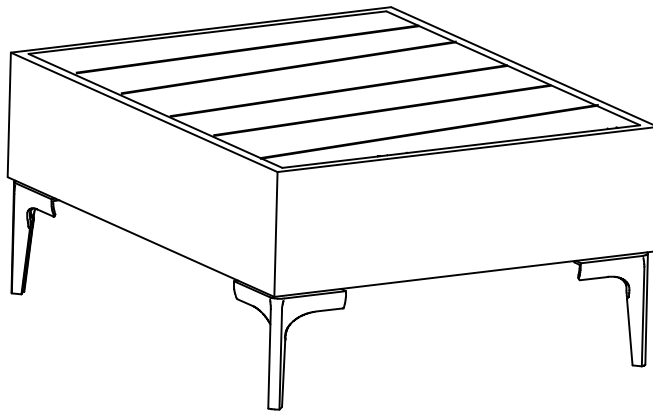
#1\*12

#3\*12

#4\*4



## STEP 2



# WARRANTY

So glad you have completed the assembly and can enjoy it. If you are satisfied with our products, thank you for showing your new rattan sofa to your around.

Our products comes with a 12-month warranty, please register within 30 days by send “ your name + order ID”