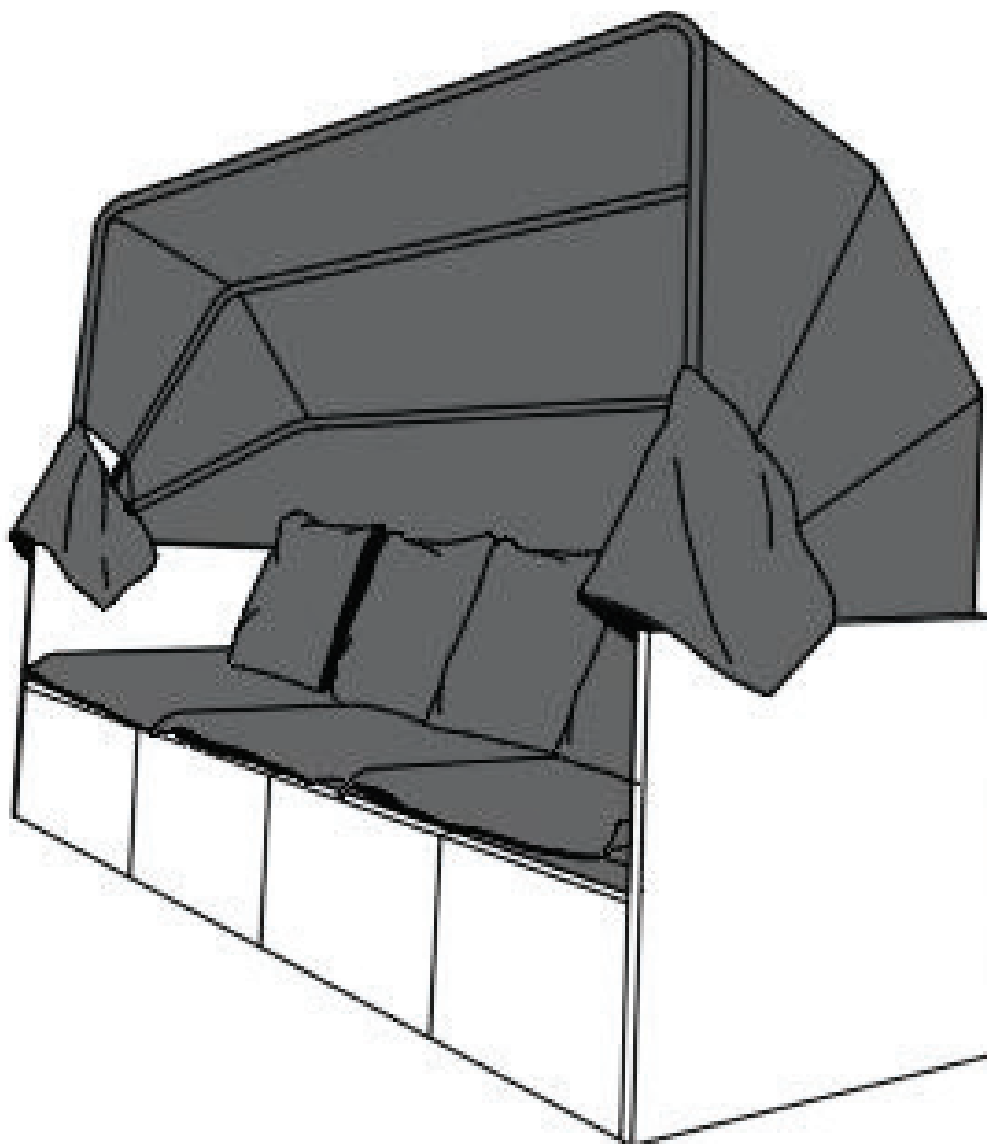
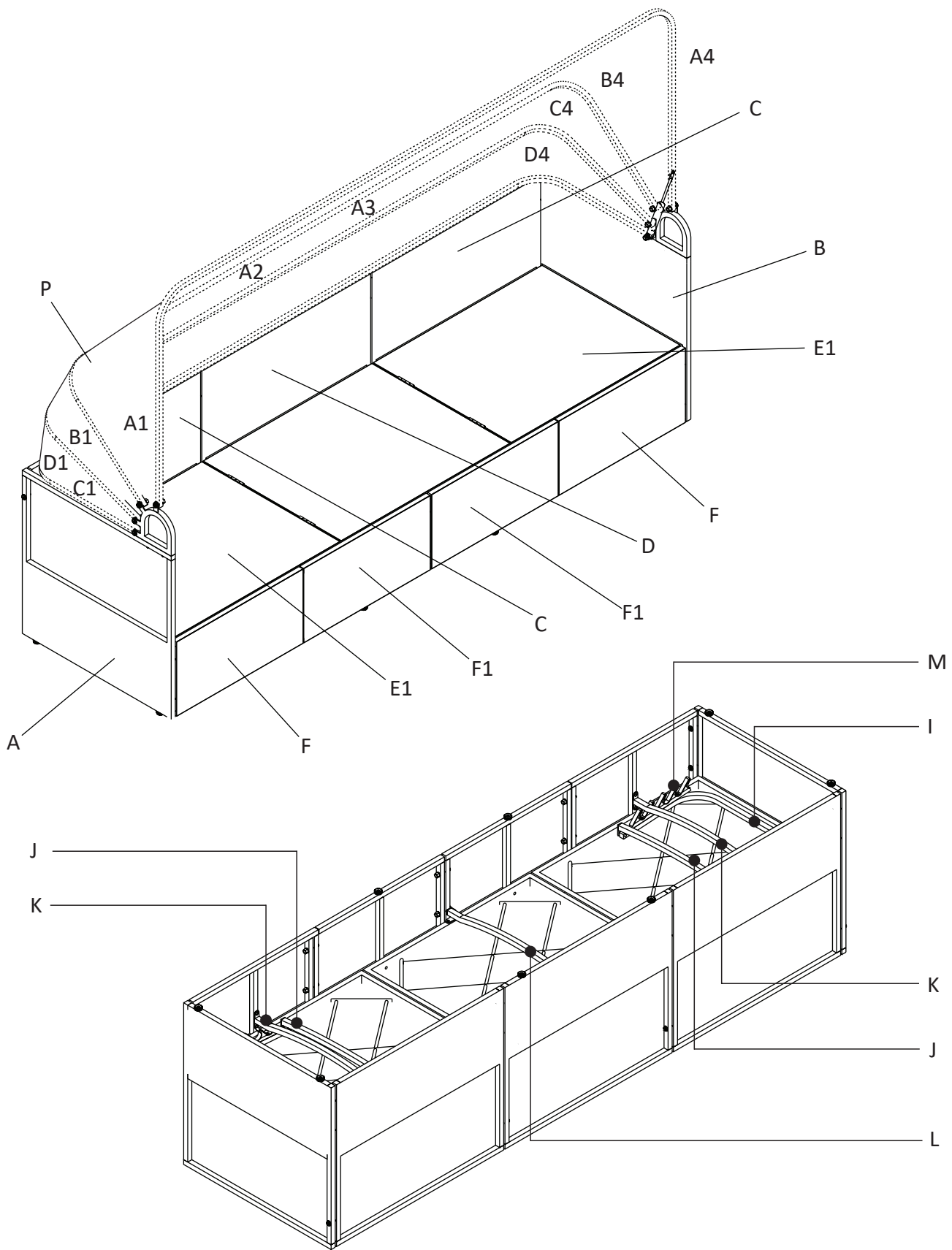
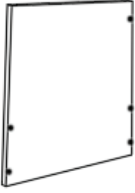

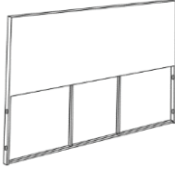
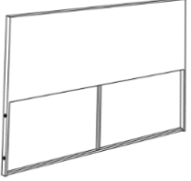
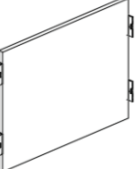
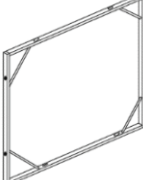
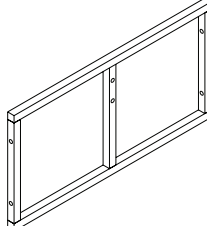
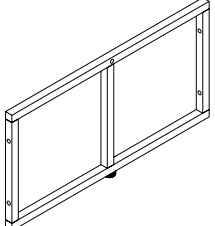
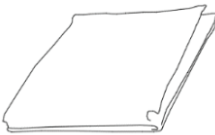


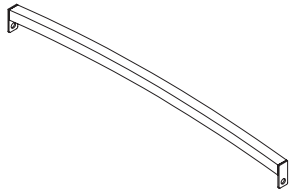
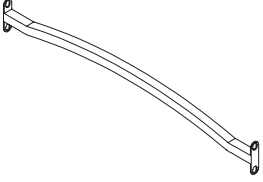
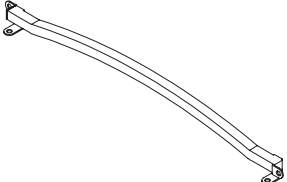
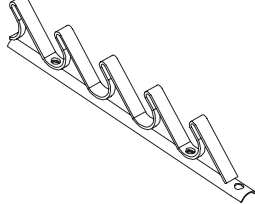

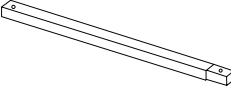
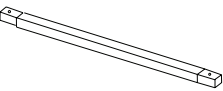







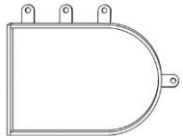
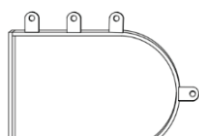
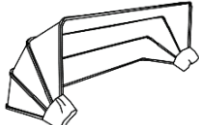


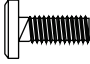
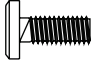
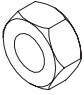
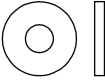



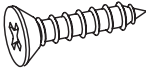

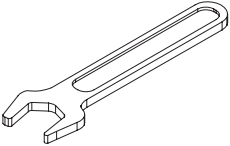
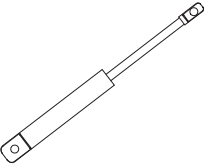
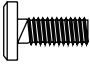
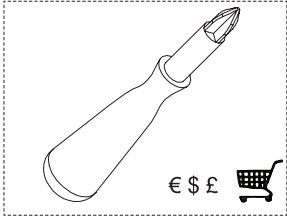
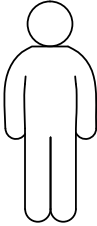


# Installation & Assembly

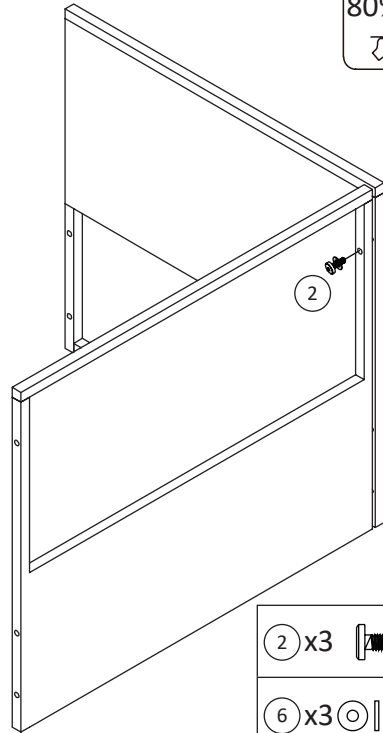
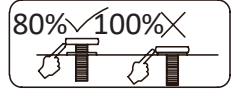
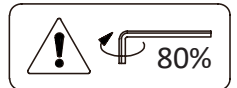
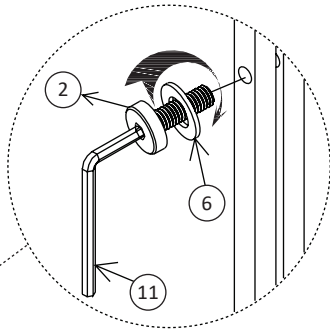
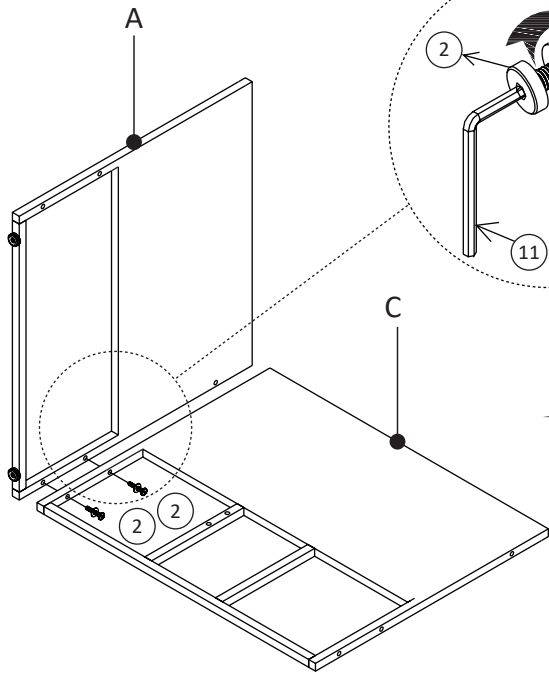





Ax1 	Bx1 	Cx2 	Dx1 
Ex1 	E1x2 	Fx2 	F1x2 
Gx1 	Hx4 	Ix2 	Jx2 
Kx2 	Lx1 	Mx4 	A1x1  $\frac{540 \times 450}{21.2 \times 17.7}$
A2x4  $\frac{615}{24.2}$	A3x4  $\frac{605}{23.8}$	A4x1  $\frac{540 \times 450}{21.2 \times 17.7}$	B1x1  $\frac{510 \times 450}{20.1 \times 17.7}$
B4x1  $\frac{510 \times 450}{20.1 \times 17.7}$	C1x1  $\frac{490 \times 450}{19.3 \times 17.7}$	C4x1  $\frac{490 \times 450}{19.3 \times 17.7}$	D1x1  $\frac{415 \times 450}{16.4 \times 17.7}$
D4x1  $\frac{415 \times 450}{16.4 \times 17.7}$	Nx1 	Ox1 	Px1 

<p>① x6</p>  <p>M6x <math>\frac{50}{2.0}</math></p>	<p>② x34</p>  <p>M6x <math>\frac{30}{1.2}</math></p>	<p>③ x12</p>  <p>M6x <math>\frac{25}{1.0}</math></p>	<p>④ x15</p>  <p>M6x <math>\frac{15}{0.6}</math></p>
<p>⑤ x14</p>  <p>M6</p>	<p>⑥ x73</p>  <p>M6x <math>\frac{16x1.0}{0.6x0.04}</math></p>	<p>⑦ x2</p>  <p>M6x <math>\frac{40}{1.6}</math></p>	<p>⑧ x4</p>  <p>M6x <math>\frac{16x3.0}{0.6x0.1}</math></p>
<p>⑨ x12</p>  <p>M6x <math>\frac{16x5.0}{0.6x0.2}</math></p>	<p>⑩ x12</p>  <p>M4x <math>\frac{12}{0.4}</math></p>	<p>⑪ x2</p>  <p>M4</p>	<p>⑫ x1</p> 
<p>⑬ x2</p> 	<p>⑭ x2</p>  <p>M6x <math>\frac{20}{0.8}</math></p>		<p>mm inch</p>  <p>x2</p>

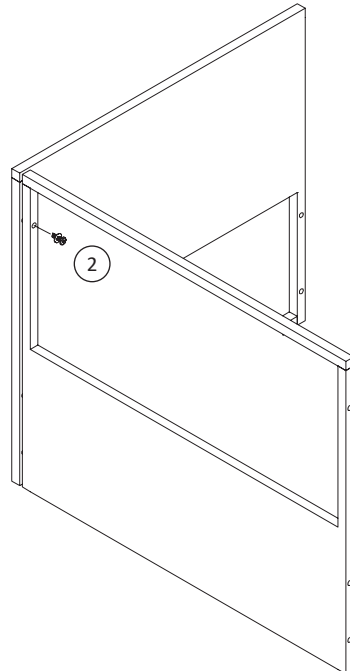
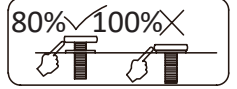
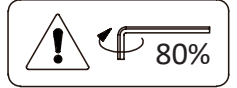
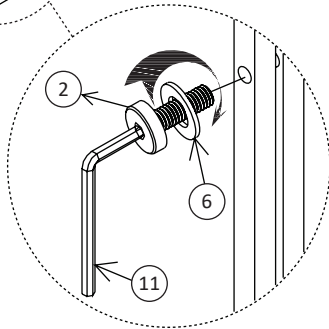
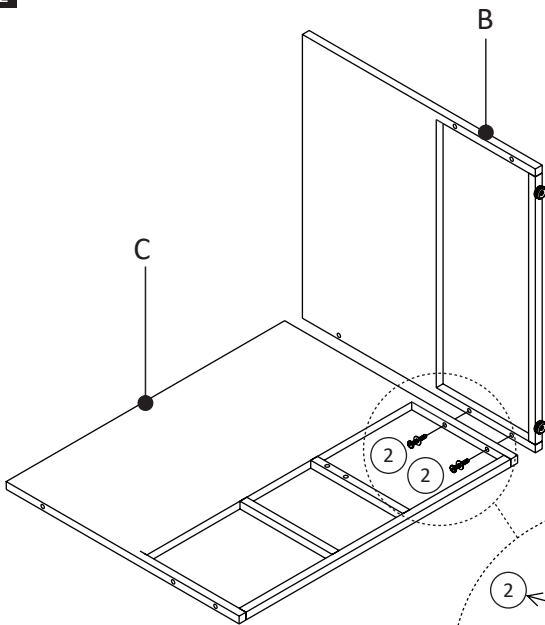
1




② x3  M6x  $\frac{30}{1.2}$

⑥ x3  M6x  $\frac{16 \times 1.0}{0.6 \times 0.04}$

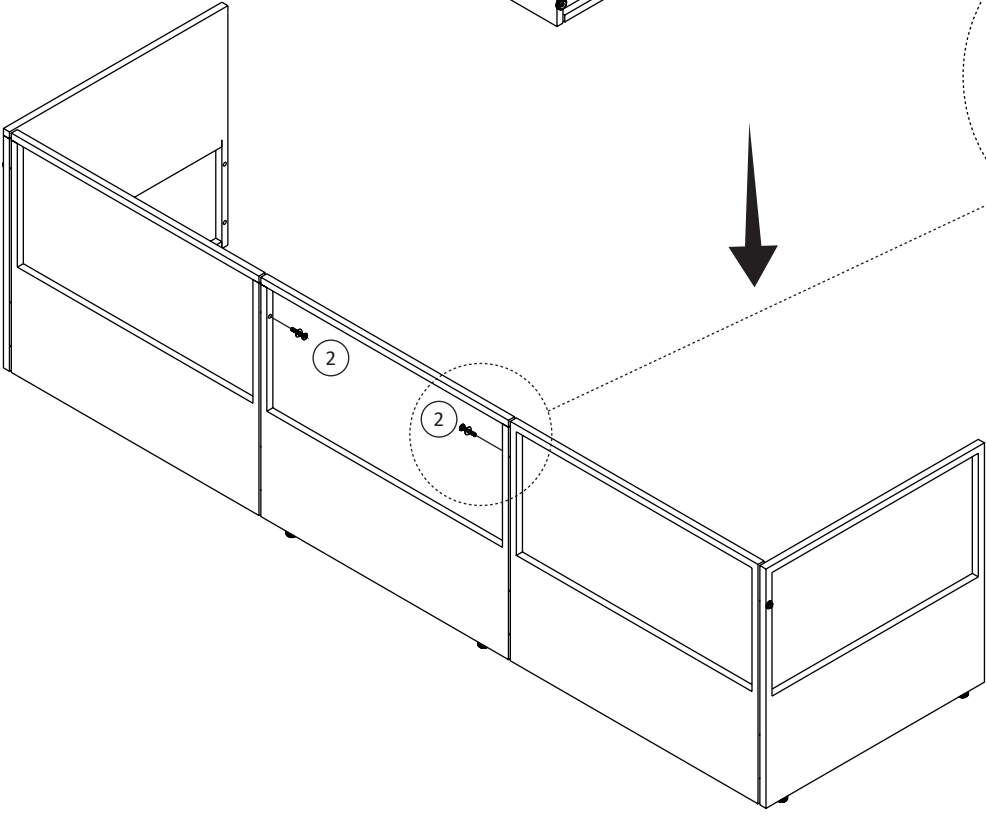
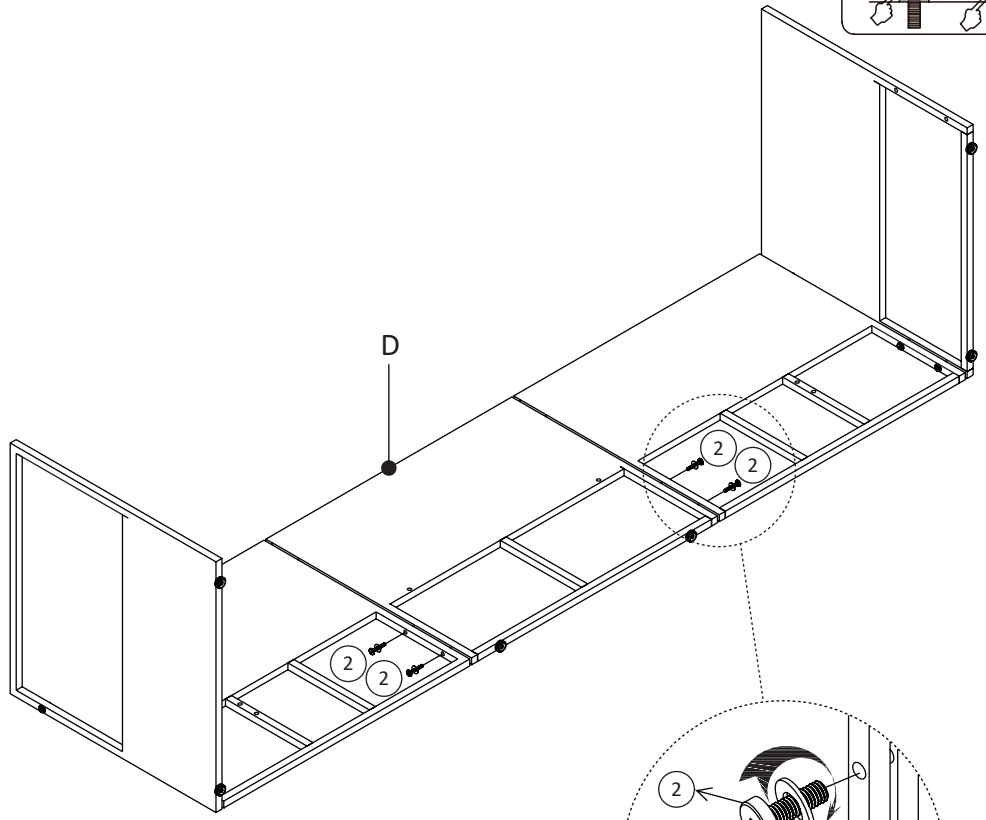
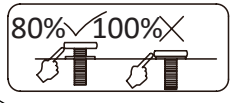
2




② x3  M6x  $\frac{30}{1.2}$

⑥ x3  M6x  $\frac{16 \times 1.0}{0.6 \times 0.04}$

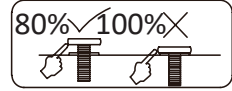
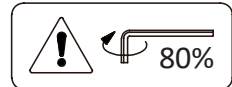
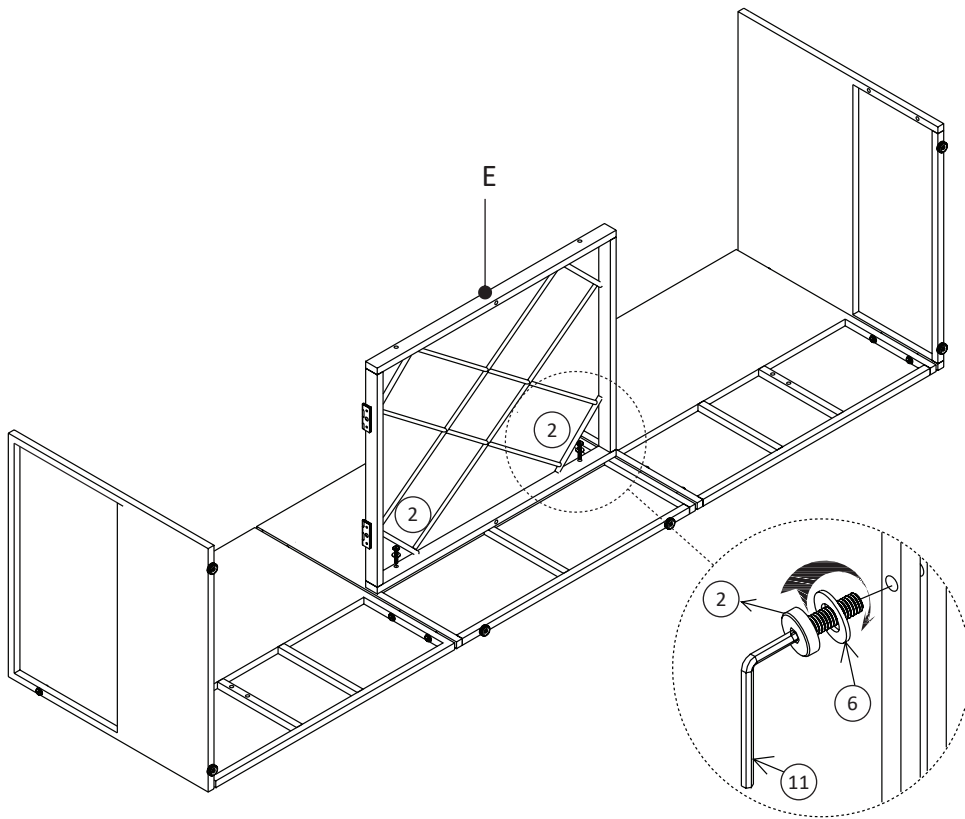
3





② x6  M6x  $\frac{30}{1.2}$

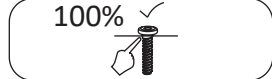
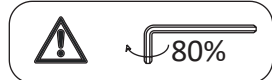
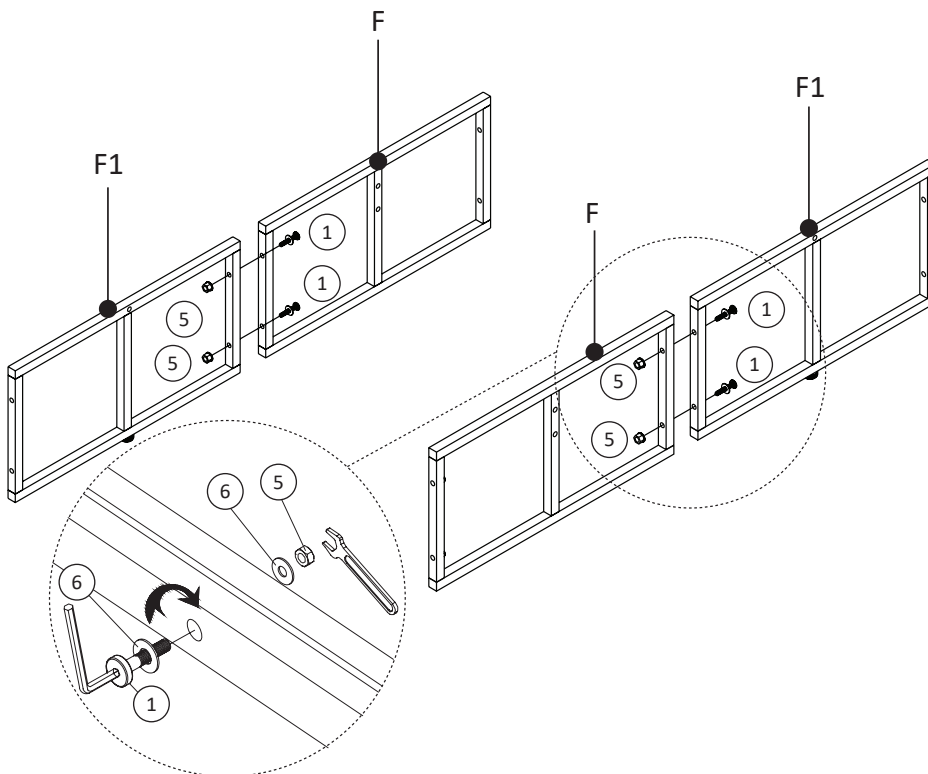
⑥ x6  M6x  $\frac{16x1.0}{0.6x0.04}$




4

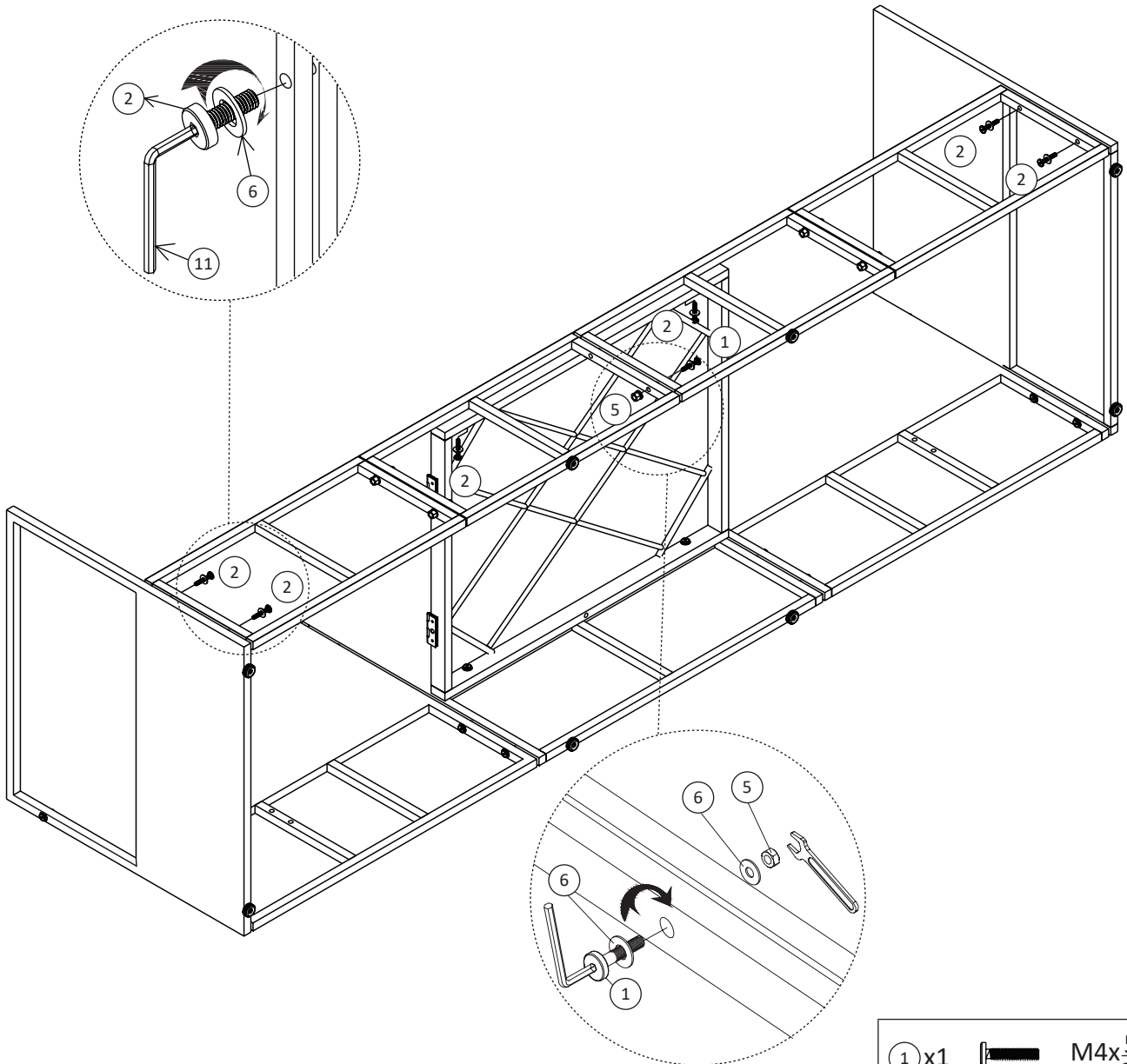
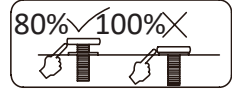






2	x2		M6x $\frac{30}{1.2}$
6	x2		M6x $\frac{16 \times 1.0}{0.6 \times 0.04}$

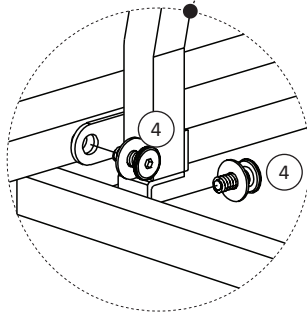
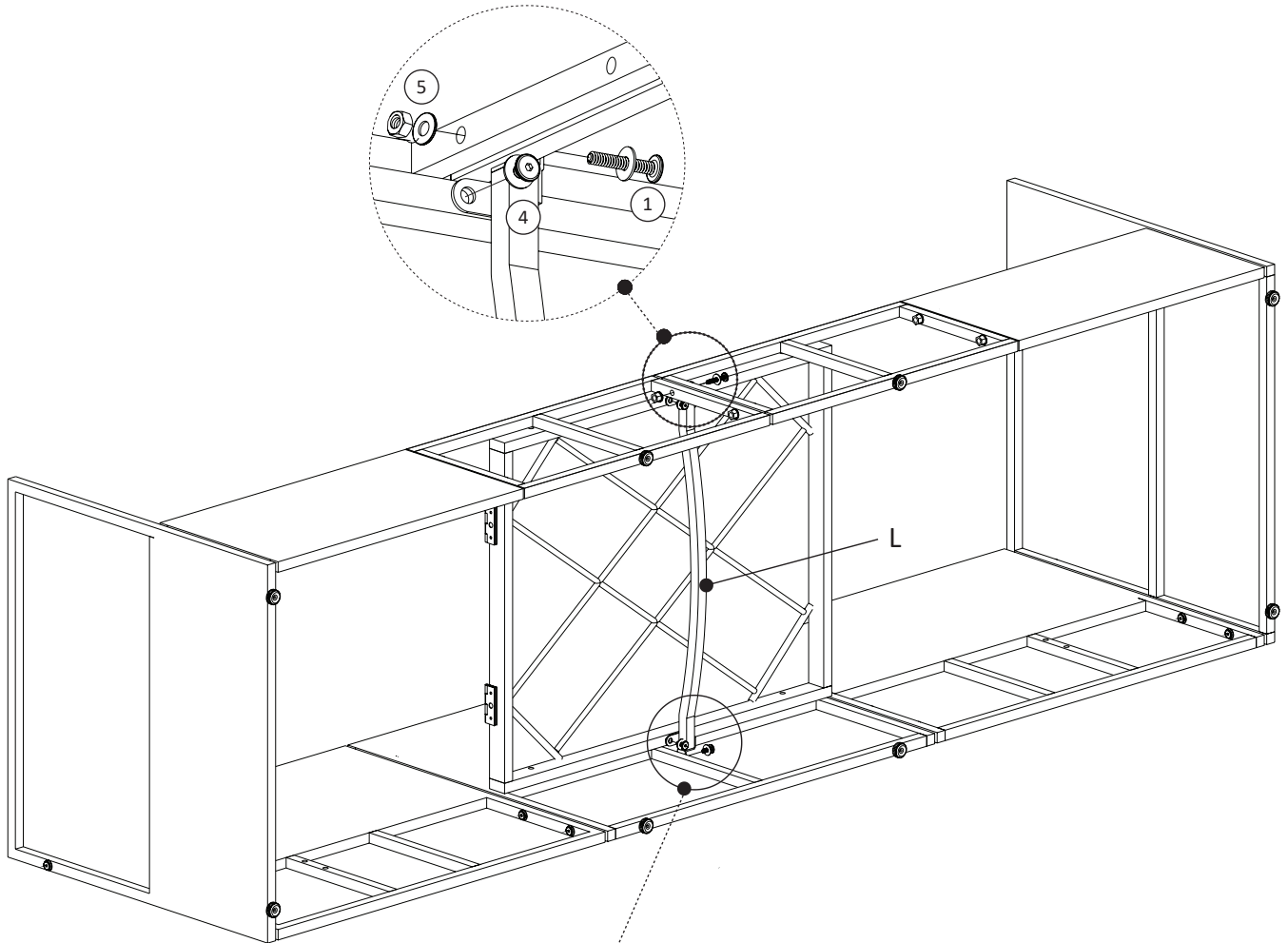
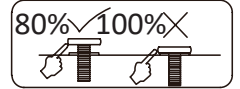
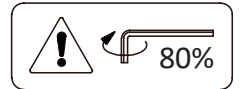
5







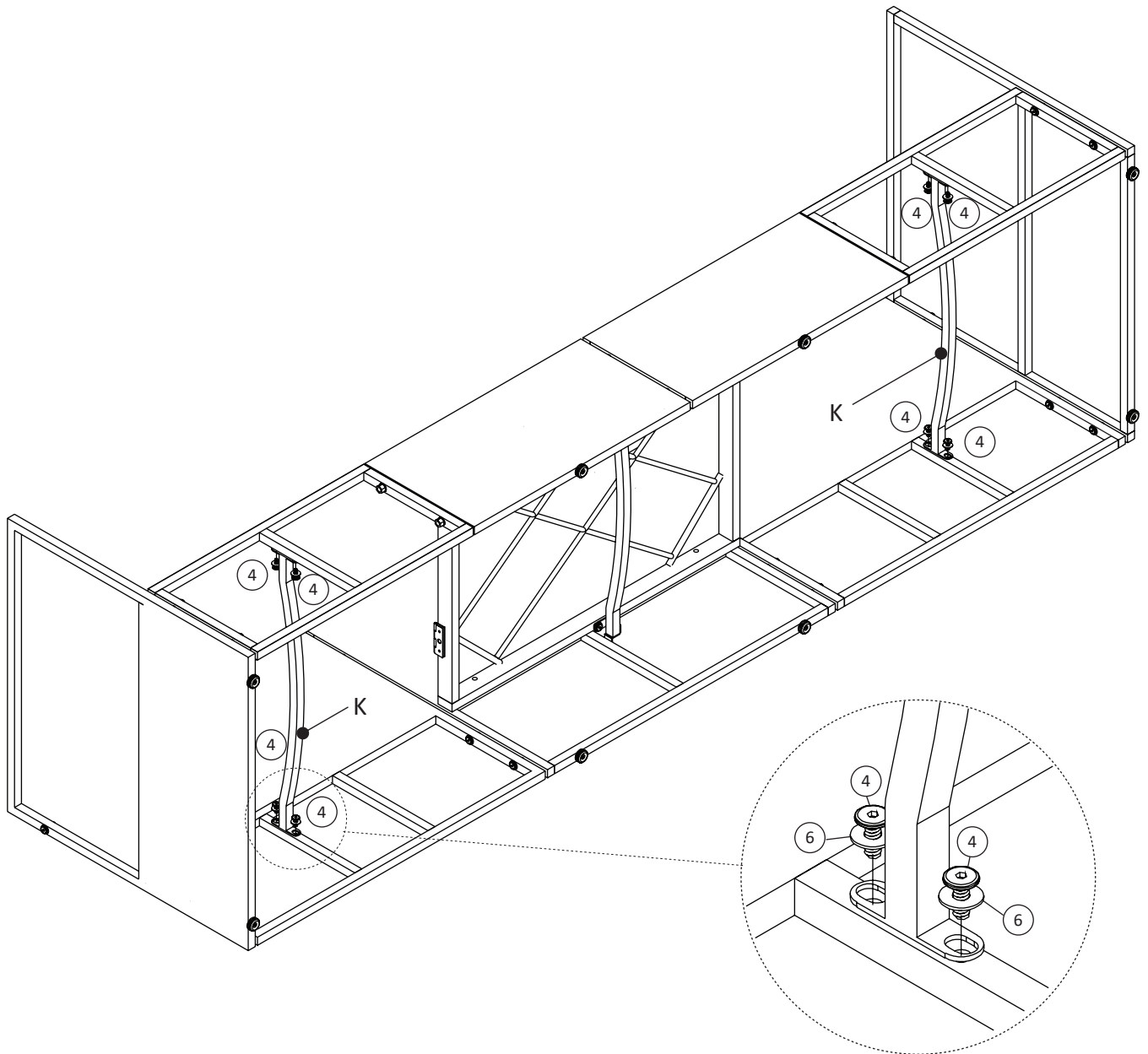
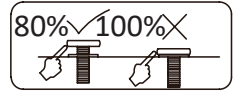
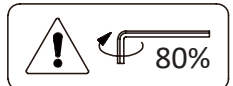
1	x4		M4x $\frac{50}{2.0}$
5	x4		M6
6	x8		M6x $\frac{16 \times 1.0}{0.6 \times 0.04}$





① x1		M4x $\frac{50}{2.0}$
② x6		M6x $\frac{30}{1.2}$
⑤ x1		M6
⑥ x8		M6x $\frac{16x1.0}{0.6x0.04}$

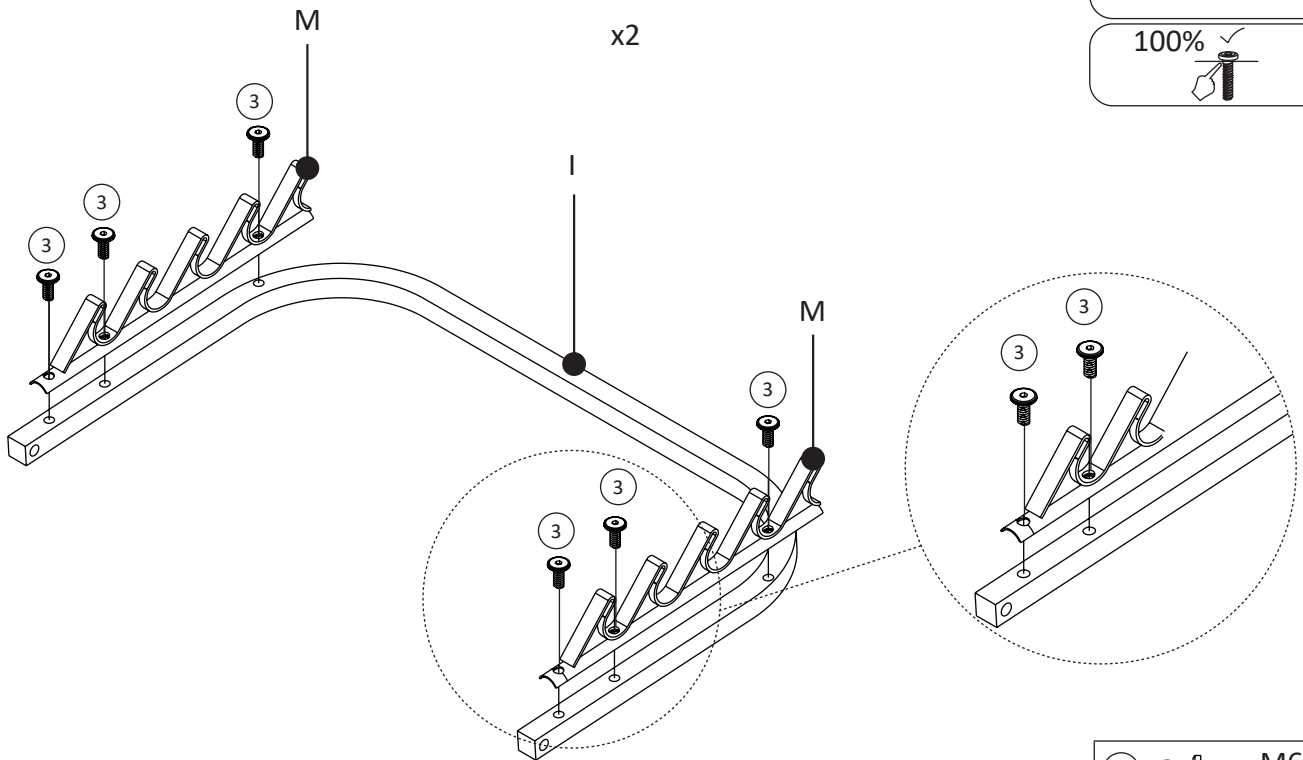


① x1		M4x $\frac{50}{2.0}$
④ x3		M6x $\frac{15}{0.6}$
⑤ x1		M6
⑥ x5		M6x $\frac{16x1.0}{0.6x0.04}$



④ x8		M6x $\frac{15}{0.6}$
⑥ x8		M6x $\frac{16 \times 1.0}{0.6 \times 0.04}$

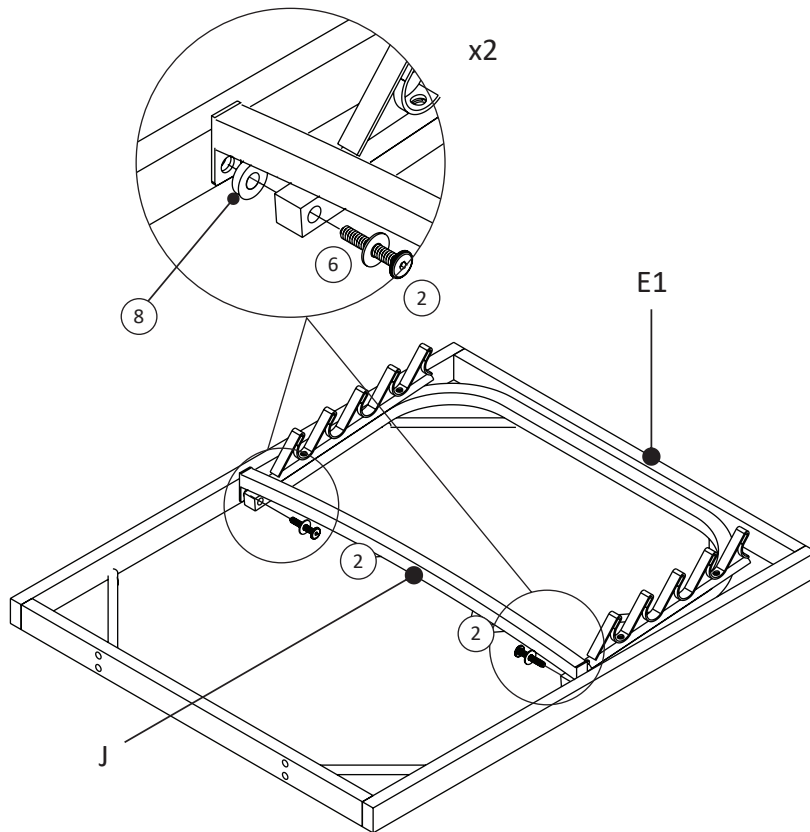
9



⚠️ 80%  
100% ✓

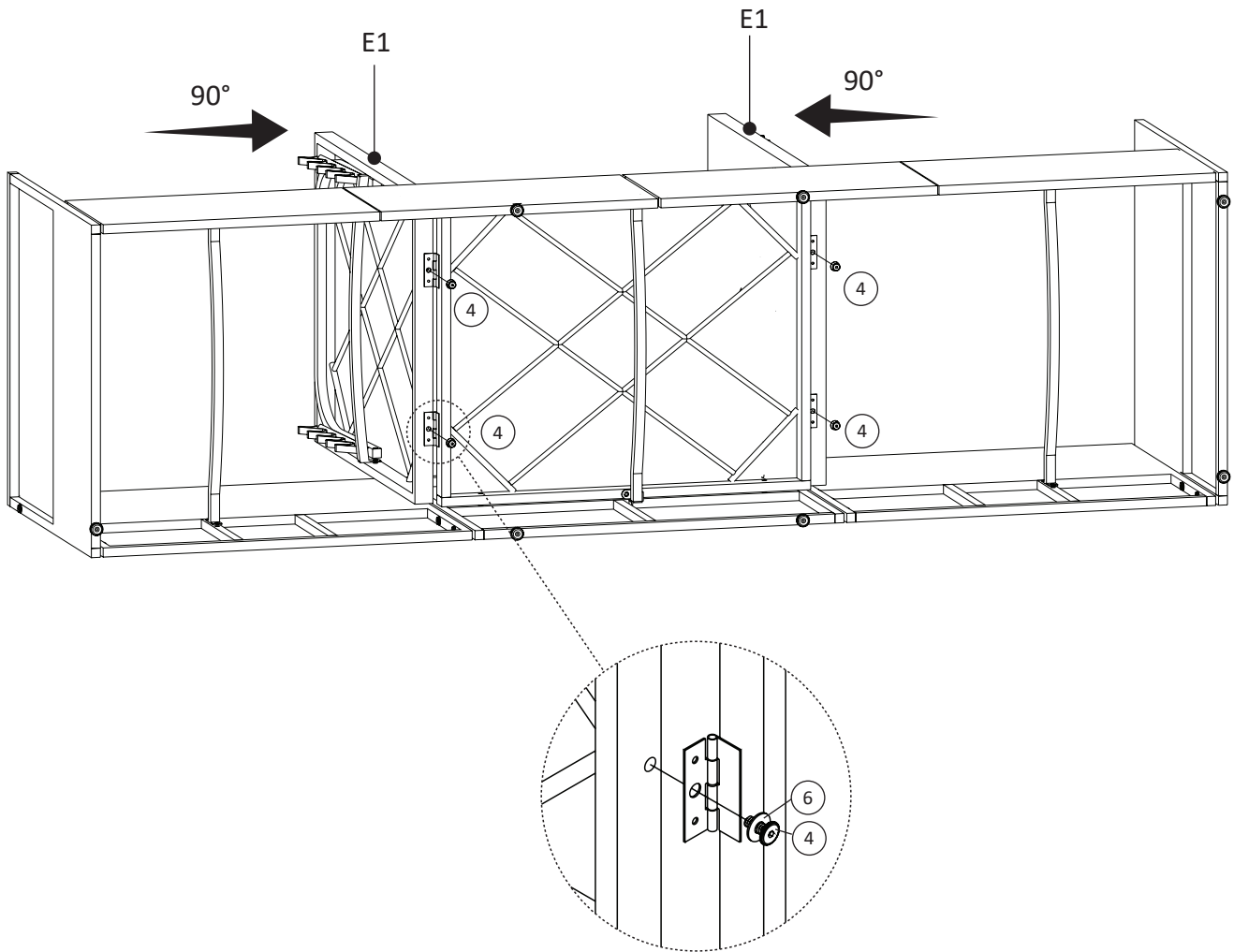
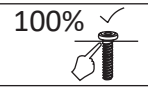
3	x6		M6x $\frac{25}{1.0}$
---	----	--	----------------------



10



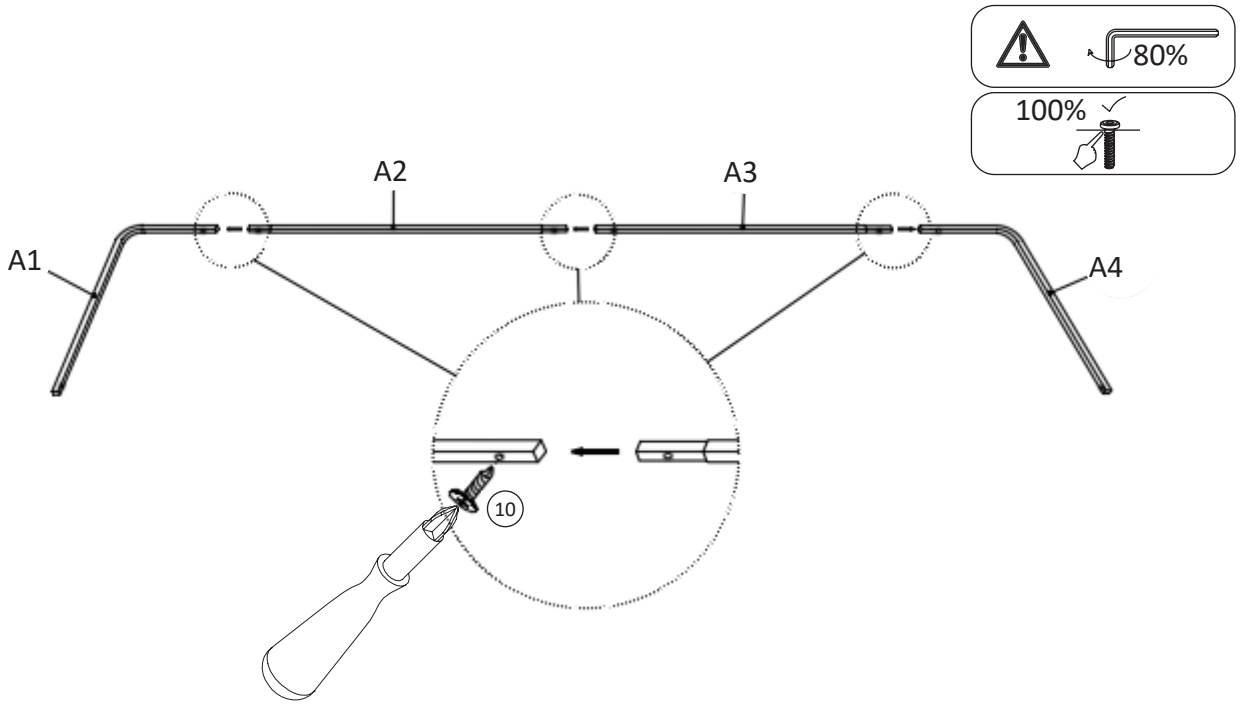
⚠️ 80%  
100% ✓

2	x2		M6x $\frac{30}{1.2}$
6	x2		M6x $\frac{16x1.0}{0.6x0.04}$
8	x2		M6x $\frac{16x3.0}{0.6x0.1}$



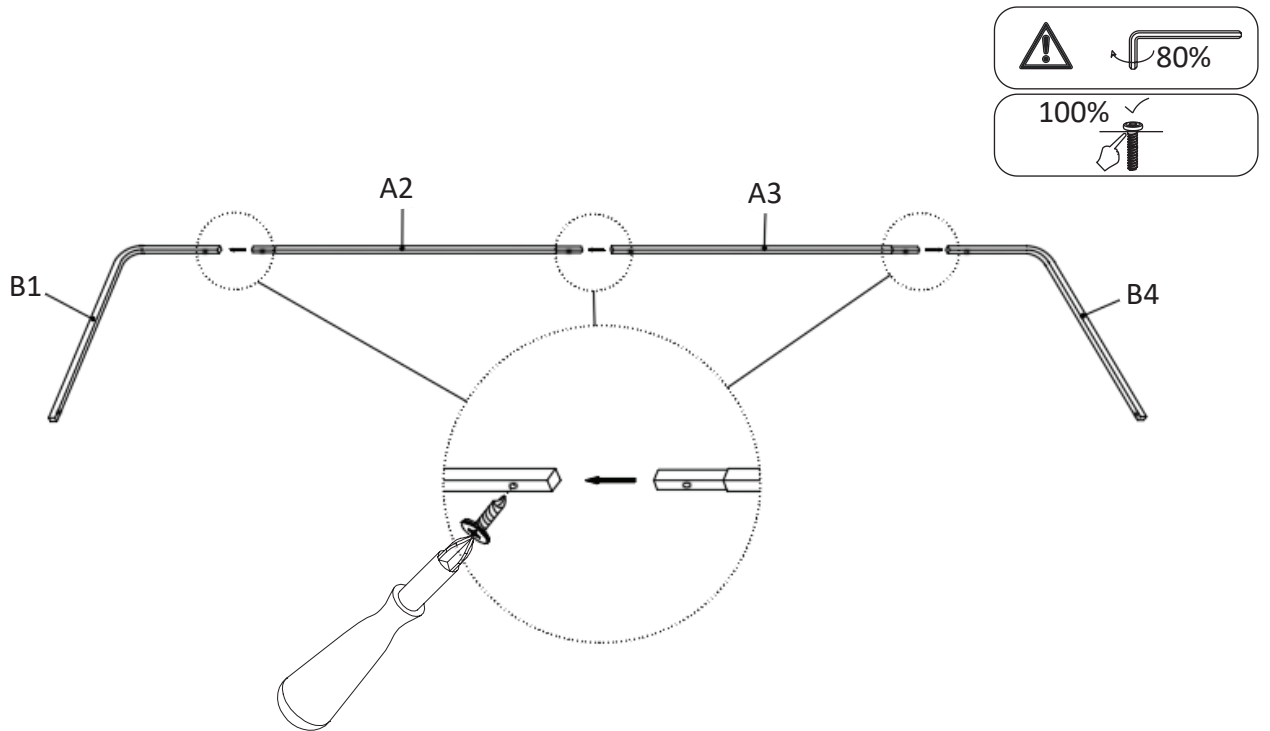
④ x4		M6x $\frac{15}{0.6}$
⑥ x4		M6x $\frac{16x1.0}{0.6x0.04}$

12



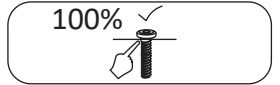
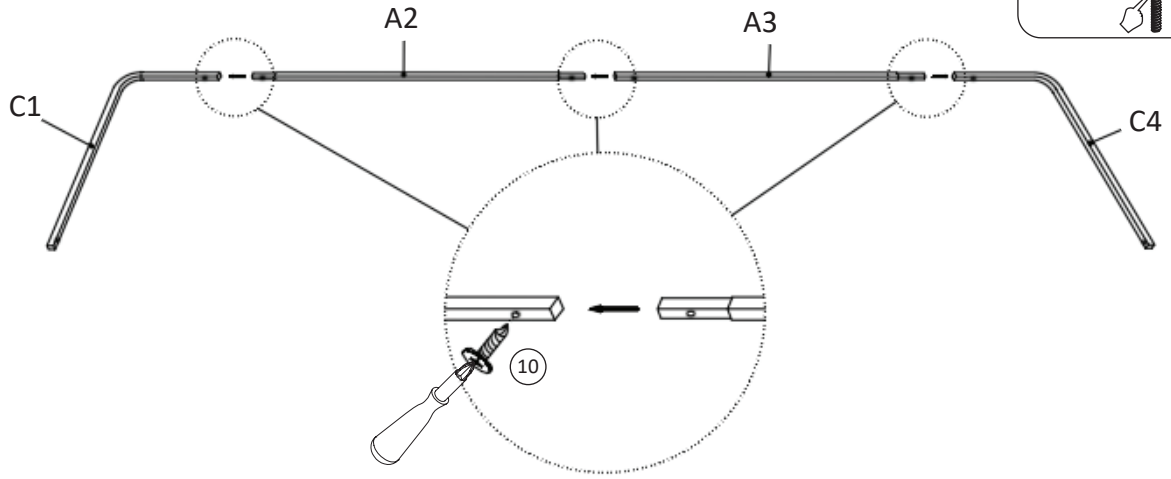
(10) x3 M4x  $\frac{12}{0.4}$

13



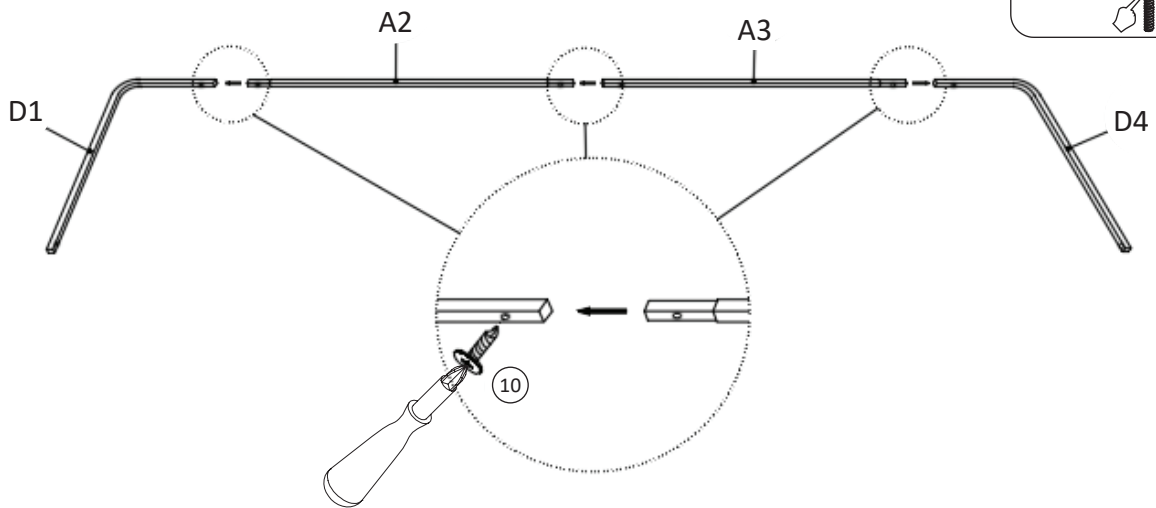
(10) x3 M4x  $\frac{12}{0.4}$

14



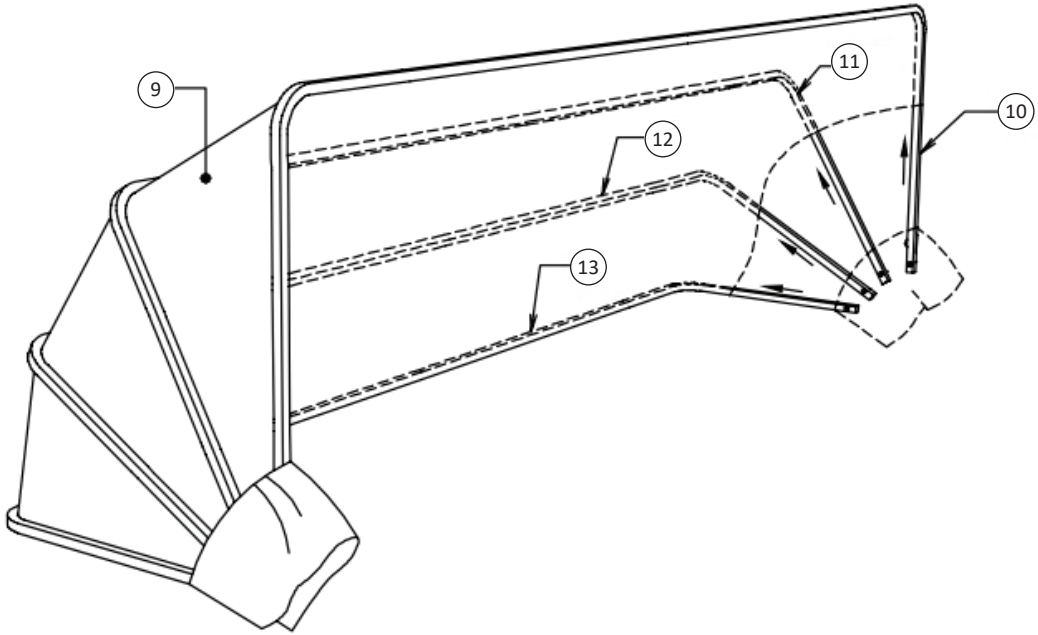
⑩ x3  M4x  $\frac{12}{0.4}$

15

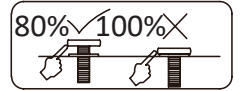
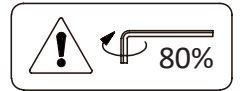
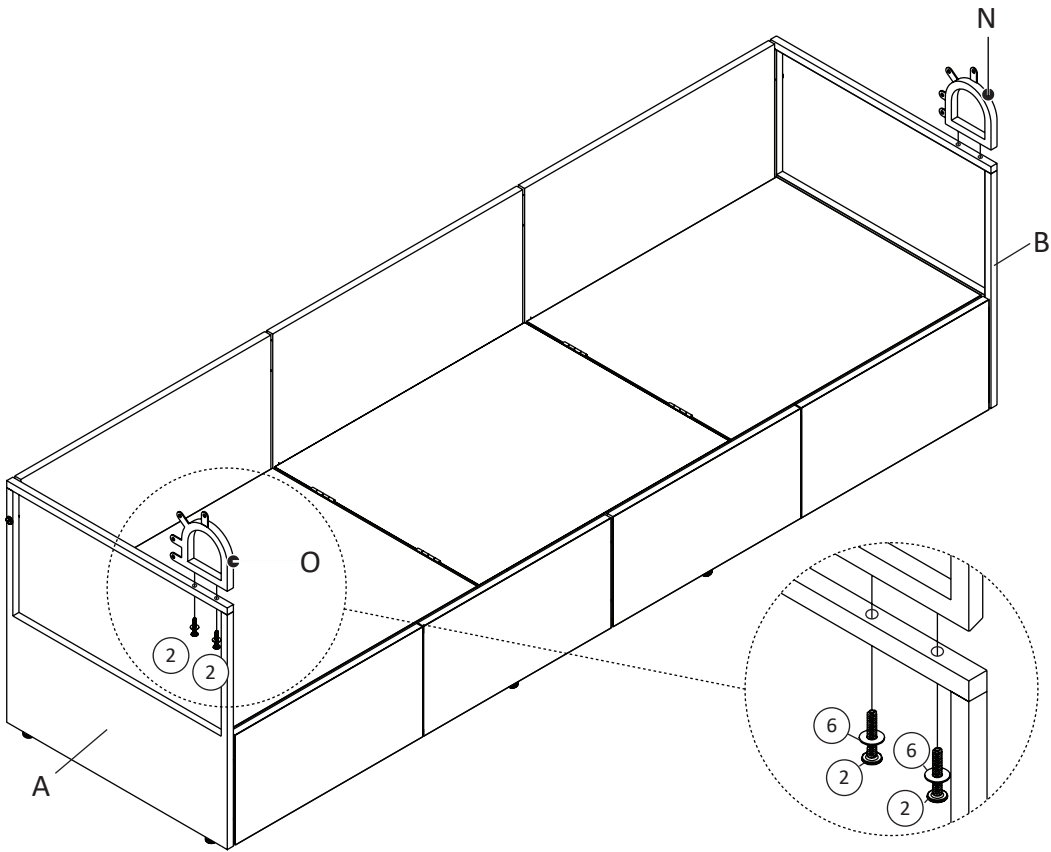


⑩ x3  M4x  $\frac{12}{0.4}$

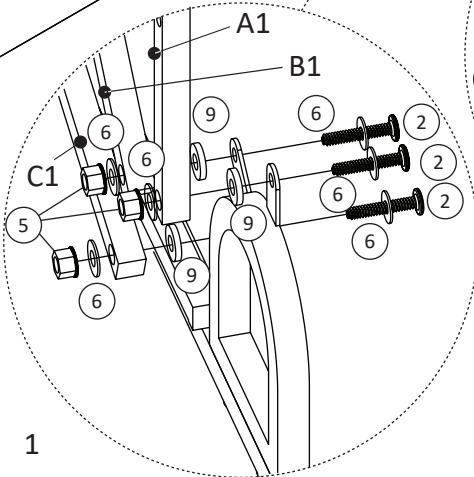
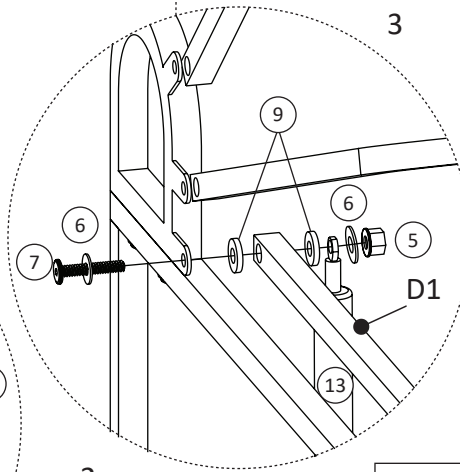
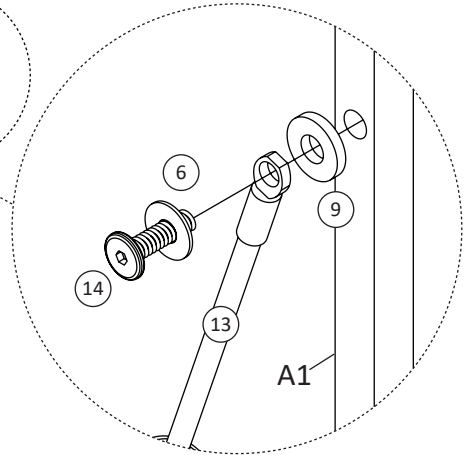
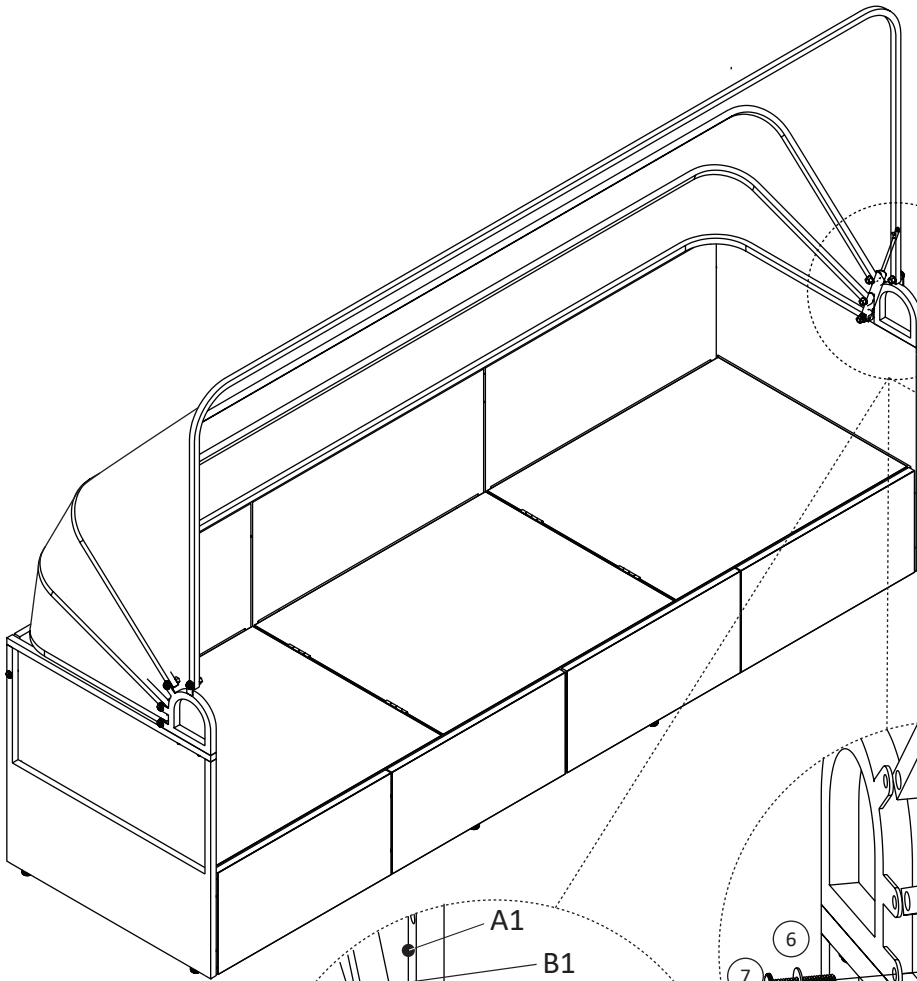
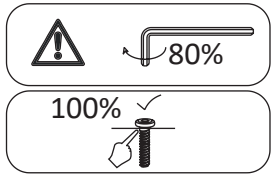
16



17



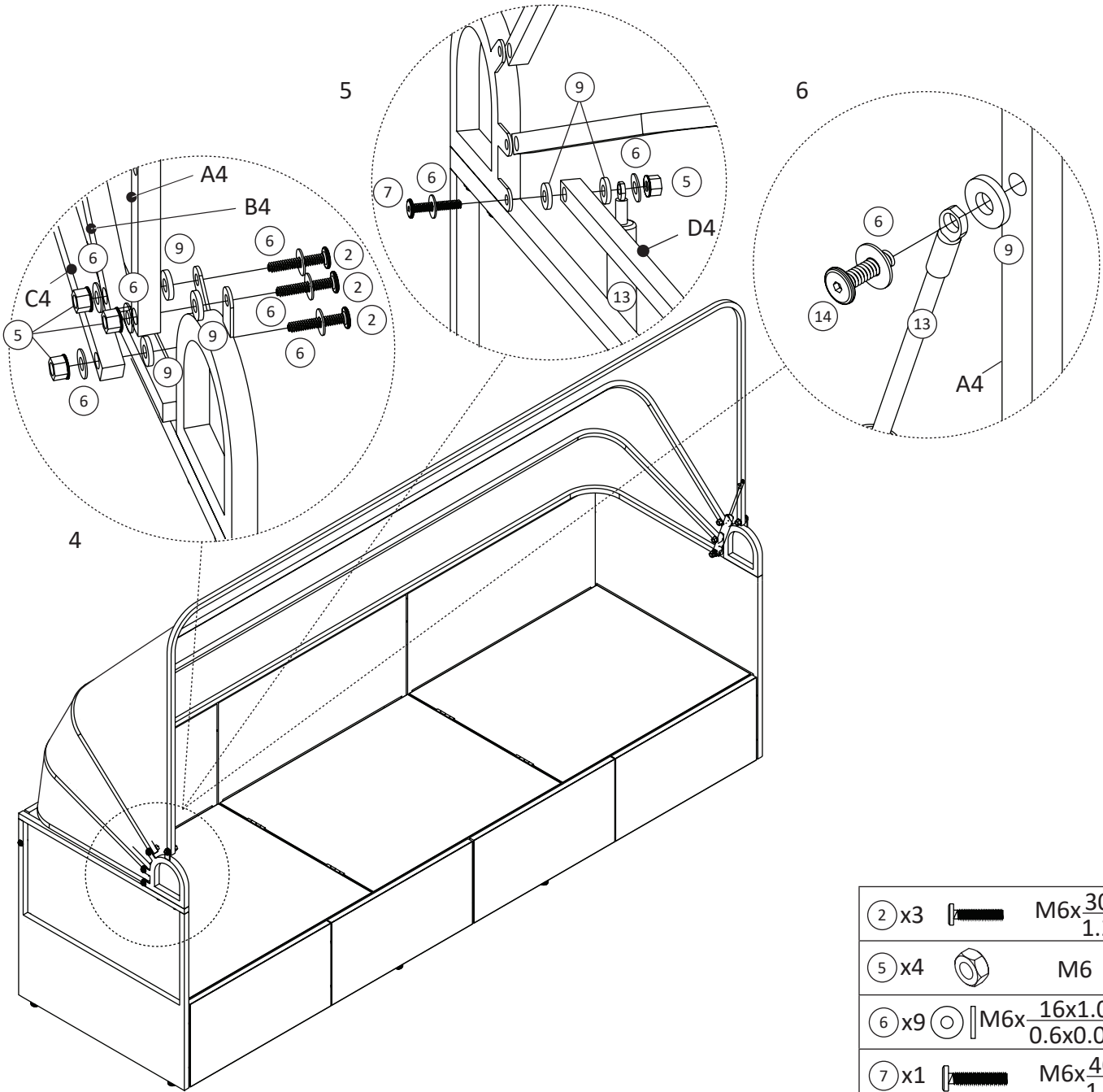
- ② x4 M6x  $\frac{30}{1.2}$
- ⑥ x4 M6x  $\frac{16x1.0}{0.6x0.04}$



② x3		M6x $\frac{30}{1.2}$
⑤ x4		M6
⑥ x9		M6x $\frac{16 \times 1.0}{0.6 \times 0.04}$
⑦ x1		M6x $\frac{40}{1.6}$
⑨ x6		M6x $\frac{16 \times 5.0}{0.6 \times 0.2}$
⑬ x1		
⑭ x1		M6x $\frac{20}{0.8}$

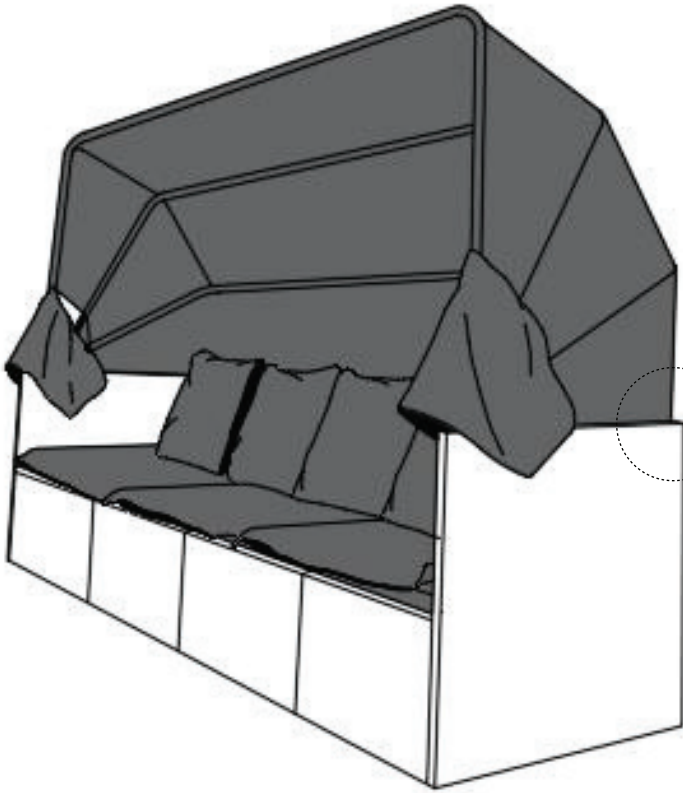
⚠ 80%

100% ✓

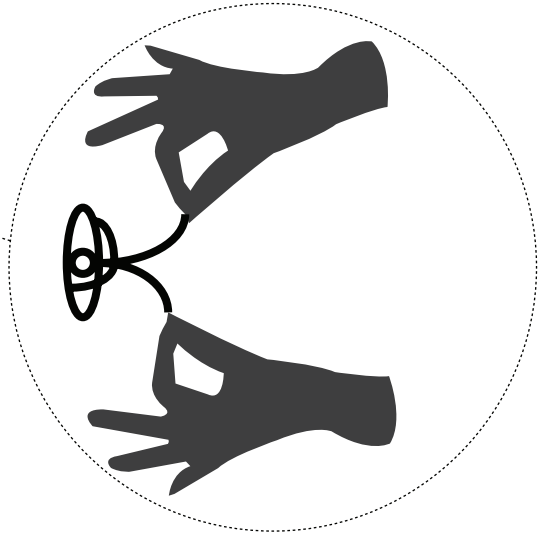


② x3		M6x $\frac{30}{1.2}$
⑤ x4		M6
⑥ x9		M6x $\frac{16x1.0}{0.6x0.04}$
⑦ x1		M6x $\frac{40}{1.6}$
⑨ x6		M6x $\frac{16x5.0}{0.6x0.2}$
⑬ x1		
⑭ x1		M6x $\frac{20}{0.8}$

20



x4



21

