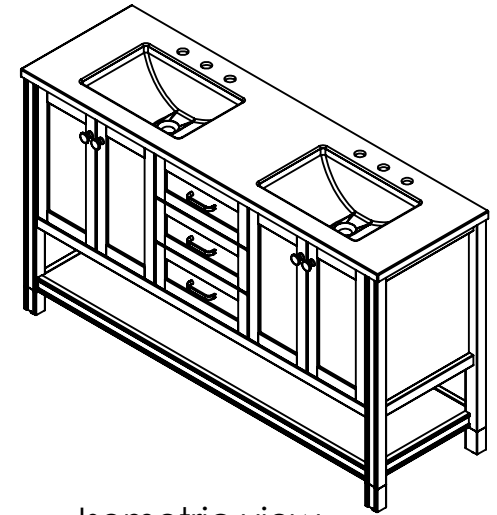
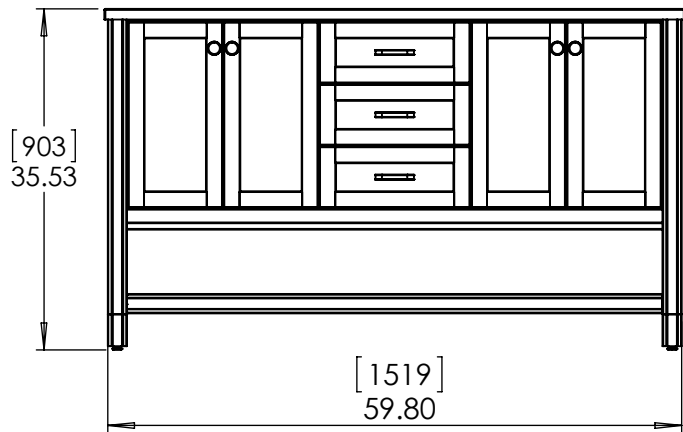


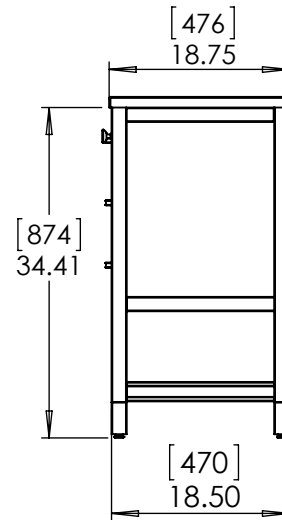
Top view



Isometric view



Front view



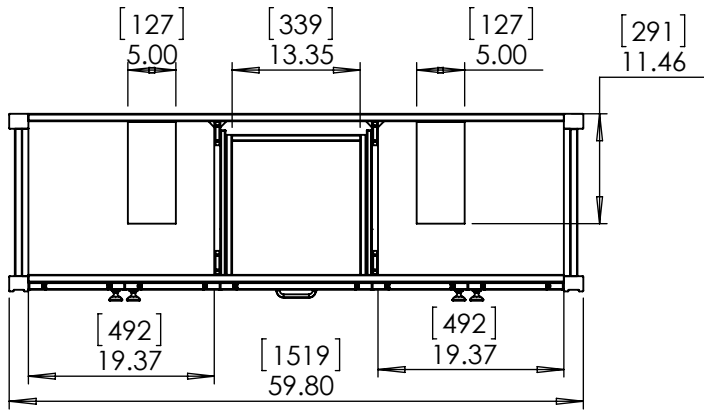
Side view

NAME:

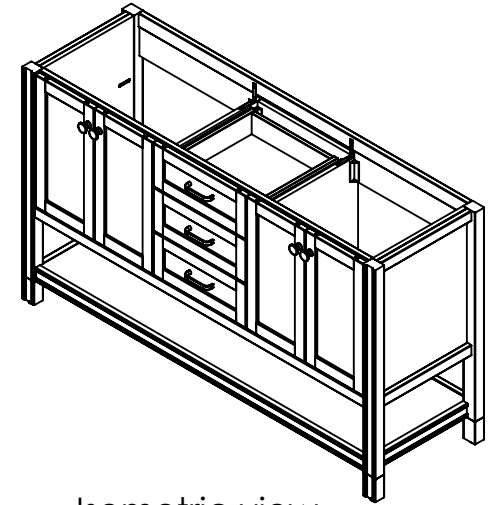
60in Vanity

MATERIAL:

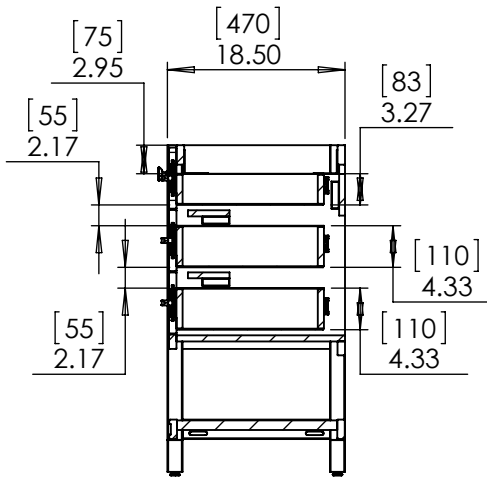
**German beech 4/4
Laminated Particle Board**



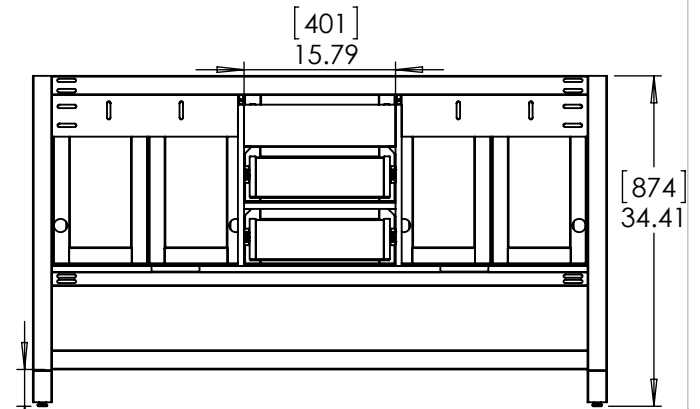
Top view



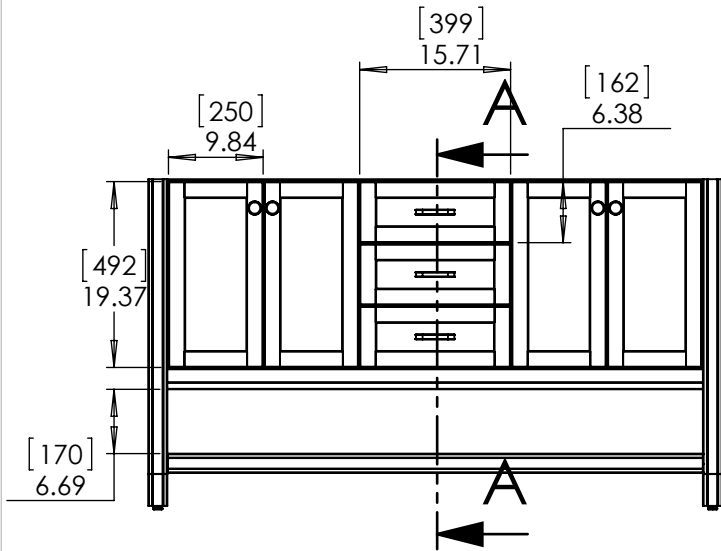
Isometric view



SECTION A-A



Back view



Front view

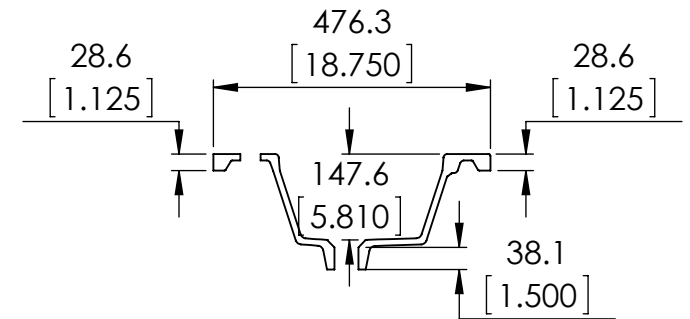
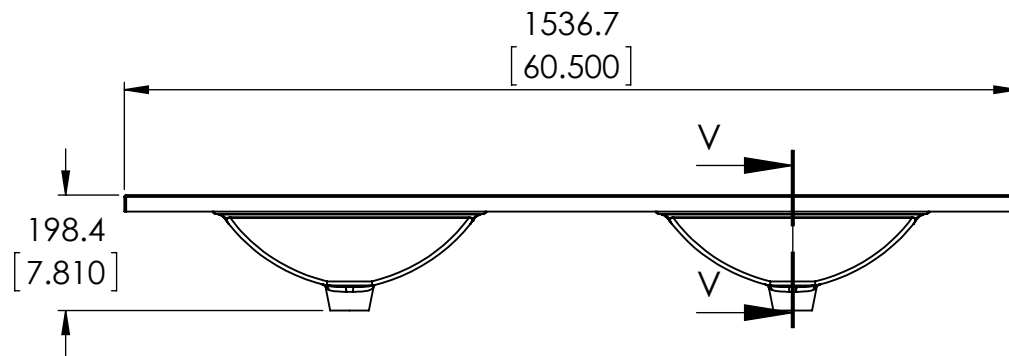
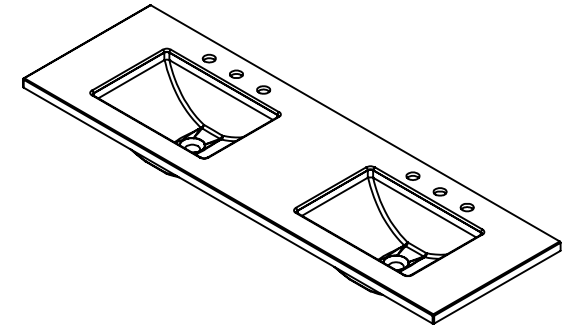
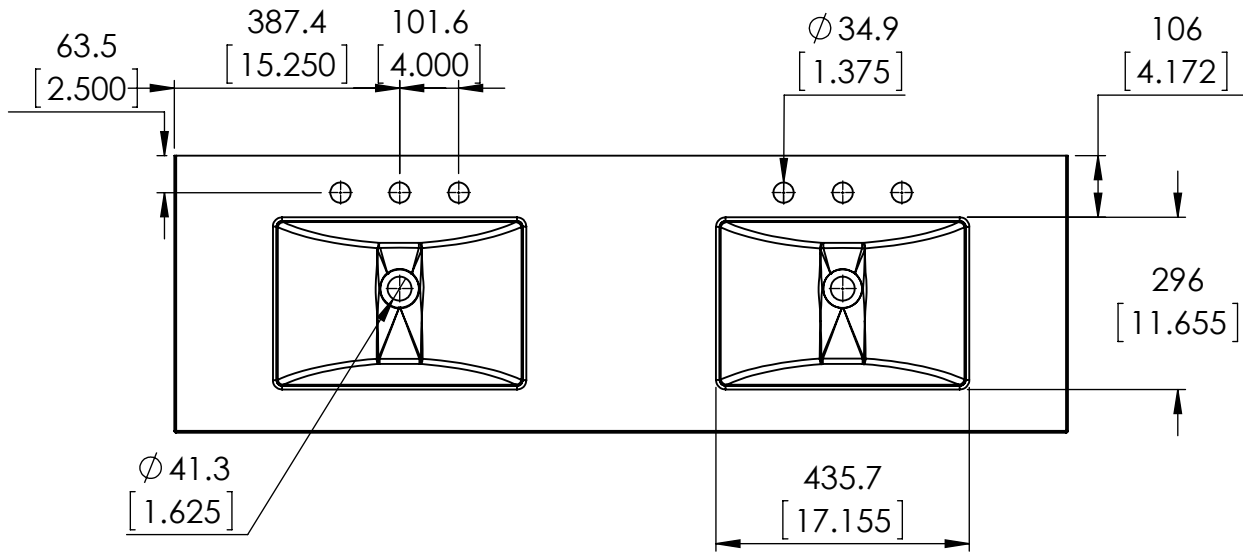
NAME:

60in Vanity

MATERIAL:

**German beech 4/4
Laminated Particle Board**

60.5x18.75



SECTION V-V

Nota: *El grosor de la linea de particion bifono en el bowl es de 1.00" a 1.125"

UNLESS OTHERWISE SPECIFIED
DIMENSIONS ARE IN MM.
AND [INCHES]
TOLERANCES ARE
+ 3.175 [0.125] - 3.175 [0.125]
SCALE: 1:12