

## SAFETY WARNINGS

1. FOLLOW THE INFORMATION ON THE WARNINGS APPEARING ON THE UPPER BUNK END STRUCTURE AND ON THE CARTON. DO NOT REMOVE WARNING LABEL FROM BED.
2. ALWAYS USE THE RECOMMENDED SIZE MATTRESS OR MATTRESS SUPPORT, OR BOTH, TO HELP PREVENT THE LIKELIHOOD OF ENTRAPMENT OR FALLS.
3. SURFACE OF MATTRESS MUST BE AT LEAST 5 INCHES BELLOW THE UPPER EDGE OF GUARDRAILS.
4. DO NOT ALLOW CHILDREN UNDER 6 YEARS OF AGE TO USE THE UPPER BUNK.
5. PERIODICALLY CHECK AND ENSURE THAT THE GUARD RAIL, LADDER, AND OTHER COMPONENTS ARE IN THEIR PROPER POSITION, FREE FROM DAMAGE, AND **THAT ALL CONNECTORS ARE TIGHT.**
6. DO NOT ALLOW HORSEPLAY ON OR UNDER THE BED AND PROHIBIT JUMPING ON THE BED.
7. ALWAYS USE THE LADDER FOR ENTERING OR LEAVING THE UPPER BUNK.
8. DO NOT USE SUBSTITUTE PARTS. CONTACT MANUFACTURER OR DEALER FOR REPLACEMENT PARTS.
9. USE OF A NIGHT LIGHT MAY PROVIDE ADDED SAFETY PRECAUTION FOR A CHILD USING THE UPPER BUNK.
10. ALWAYS USE GUARD RAILS ON BOTH LONG SIDES OF THE UPPER BUNK.
11. IF THE BUNK BED WILL BE PLACED NEXT TO A WALL, THE GUARD RAIL THAT RUNS THE FULL LENGTH OF THE BED SHOULD BE PLACED AGAINST THE WALL TO PREVENT ENTRAPMENT BETWEEN THE BED AND THE WALL.
12. PROHIBIT MORE THAN ONE PERSON ON THE UPPER BUNK.
13. THE USE OF WATER OR SLEEP FLOTATION MATTRESSES IS PROHIBITED.
14. KEEP THESE INSTRUCTIONS FOR FUTURE REFERENCE.

### SIZE OF MATTRESS

THIS BED IS DESIGNED TO USE A MATTRESS (74" TO 75") LONG, AND (37-1/2" TO 38-1/2") IN WIDTH AND THE ENCLOSED SLAT KIT SYSTEM. THE TOTAL THICKNESS OF MATTRESS AND FOUNDATION MUST NOT EXCEED 8 1/2".  
NOTE: THERE MUST BE AT LEAST 5" FROM MATTRESS SLEEPING SURFACE TO TOP EDGE OF GUARDRAIL.

STRANGULATION HAZARD – NEVER ATTACH OR HANG ITEMS TO ANY PART OF THE BUNK BED THAT ARE NOT DESIGNED FOR USE WITH THE BED: FOR EXAMPLE, BUT NOT LIMITED TO HOOKS, BELTS AND JUMP ROPES.

### REPLACEMENT PARTS

REPLACEMENT PARTS, INCLUDING ADDITIONAL GUARDRAILS, MAY BE OBTAINED FROM ANY OF OUR ECO-FLEX DEALERS.



FURNITURE FOR A HEALTHIER HOME

Bio Movel Certifies That Your Product is....

**Environmentally Sustainable** -Manufactured from 100% reforested pine wood from brazil!

**Environmentally Friendly** -Consistently manufactured in accordance to local government laws and norms contributing to a cleaner, healthier environment!

**Socially Responsible** -Manufacturer conforms to all labor legislation without use of of child labor. Offers employee benefits such as health, meals and transportation.

# THANK YOU FOR YOUR PURCHASE!

Dear Customer,

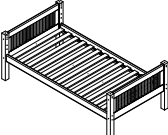
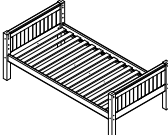

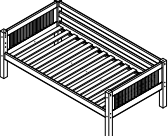
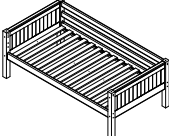
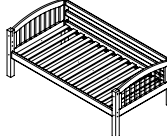
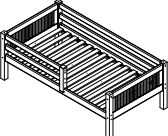
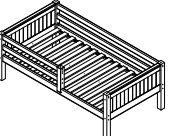
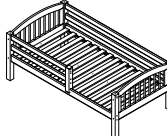







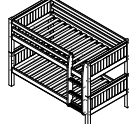

Thank you for purchasing one of our products. Our products are beautifully designed for style, functionality and flexibility as your child grows! All furniture is non-toxic, eco-friendly and made from 100% solid wood with no MDF or laminates which allows it to meet and surpass industry quality standards for sustainability and safety.

Our beds represent the core building block of our unique bedding system. Our products are unique because just like a child's Lego building blocks which allows you to add and subtract parts, our furniture line has optional parts such as slides, bunk bed kits, under bed storage drawers, trundles and many more parts that will allow you to transform the bed as your needs grow! We created this line so that our customers can add further functionality to the beds by creating interchangeable parts.



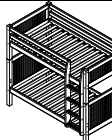

The Flexibility is what we are all about! We offers the best in sturdy, eco-friendly and healthy bedroom furniture for your growing child's needs!

Thank you again for purchasing our products,




**POSSIBLE MODELS AND ITS ACCESSORIES**

Mission		Panel		Arch Spindle	
<b>BASE BED</b>					
					
1x	twin mission style low head board	1x	twin panel low headboard	1x	arch spindle
1x	post for headboard	1x	post for headboard	1x	post for headboard
1x	rails for bed with center support	1x	rails for bed with center support	1x	rails for bed with center support
1x	wood slats for mattress foundation	1x	wood slats for mattress foundation	1x	wood slats for mattress foundation
<b>BASE DAYBED</b>					
					
1x	twin mission style low head board	1x	twin panel low headboard	1x	arch spindle
1x	post for headboard	1x	post for headboard	1x	post for headboard
1x	rails for bed with center support	1x	rails for bed with center support	1x	rails for bed with center support
1x	full length guard rails	1x	full length guard rails	1x	full length guard rails
1x	wood slats for mattress foundation	1x	wood slats for mattress foundation	1x	wood slats for mattress foundation
<b>BASE DAYBED WITH FRONT GUARD RAIL</b>					
					
1x	twin mission style low head board	1x	twin panel low headboard	1x	arch spindle
1x	post for headboard	1x	post for headboard	1x	post for headboard
1x	rails for bed with center support	1x	rails for bed with center support	1x	rails for bed with center support
1x	full length guard rails	1x	full length guard rails	1x	full length guard rails
1x	short length guard rails	1x	short length guard rails	1x	short length guard rails
1x	wood slats for mattress foundation	1x	wood slats for mattress foundation	1x	wood slats for mattress foundation
<b>LOW LOFT BED</b>					
					
1x	twin mission style low head board	1x	twin panel low headboard	1x	arch spindle
1x	post for headboard	1x	post for headboard	1x	post for headboard
1x	rails for bed with center support	1x	rails for bed with center support	1x	rails for bed with center support
1x	full length guard rails	1x	full length guard rails	1x	full length guard rails
1x	mid height loft bed kit	1x	mid height loft bed kit	1x	mid height loft bed kit
1x	angle ladder for mid height loft bed	1x	angle ladder for mid height loft bed	1x	angle ladder for mid height loft bed
1x	3/4 long guard rails	1x	3/4 long guard rails	1x	3/4 long guard rails
1x	wood slats for mattress foundation	1x	wood slats for mattress foundation	1x	wood slats for mattress foundation
<b>LOW BUNK BED</b>					
					
1x	twin mission style low head board	1x	twin panel low headboard	1x	arch spindle
1x	post for headboard	1x	post for headboard	1x	post for headboard
1x	rails for bed with center support	1x	rails for bed with center support	1x	rails for bed with center support
1x	full length guard rails	1x	full length guard rails	1x	full length guard rails
1x	3/4 long guard rails	1x	3/4 long guard rails	1x	3/4 long guard rails
1x	angle ladder for bunk bed 60"	1x	angle ladder for bunk bed 60"	1x	angle ladder for bunk bed 60"
1x	wood slats for mattress foundation	1x	wood slats for mattress foundation	1x	wood slats for mattress foundation
<b>BUNK BED WITH ATTACHED LADDER</b>					
					
1x	twin mission style low head board	1x	twin panel low headboard	1x	arch spindle
1x	post for headboard	1x	post for headboard	1x	post for headboard
1x	rails for bed with center support	1x	rails for bed with center support	1x	rails for bed with center support
1x	full length guard rails	1x	full length guard rails	1x	full length guard rails
1x	3/4 long guard rails	1x	3/4 long guard rails	1x	3/4 long guard rails
1x	attached ladder for bunk bed 60"	1x	attached ladder for bunk bed 60"	1x	attached ladder for bunk bed 60" E4510
1x	wood slats for mattress foundation	1x	wood slats for mattress foundation	1x	wood slats for mattress foundation

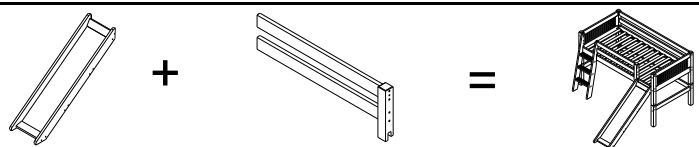
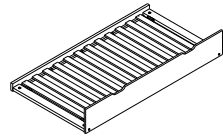


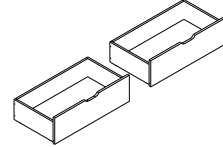
## BUNK BED

		
1x twin mission style low headboard	1x twin panel low headboard	
1x post for headboard	1x post for headboard	
1x rails for bed with center support	1x rails for bed with center support	
1x tall headboard mission style	1x tall headboard panel headboard	
1x posts for headboard	1x posts for headboard	
1x full length guard rails	1x full length guard rails	
1x 3/4 long guard rails	1x 3/4 long guard rails	
1x angle ladder for bunk bed	1x angle ladder for bunk bed	
1x wood slats for mattress foundation	1x wood slats for mattress foundation	
		
1x twin mission style low headboard	1x twin panel low headboard	
1x post for headboard	1x post for headboard	
1x rails for bed with center support	1x rails for bed with center support	
1x tall headboard mission style	1x tall headboard panel headboard	
1x posts for headboard	1x posts for headboard	
1x full length guard rails	1x full length guard rails	
1x 3/4 long guard rails	1x 3/4 long guard rails	
1x attached ladder for bunk bed	1x attached ladder for bunk bed	
1x wood slats for mattress foundation	1x wood slats for mattress foundation	

## HIGH LOFT BED

		
1x twin mission style low headboard	1x twin panel low headboard	1x arch spindle
1x post for headboard	1x post for headboard	1x post for headboard
1x rails for bed with center support	1x rails for bed with center support	1x rails for bed with center support
1x full length guard rails	1x full length guard rails	1x full length guard rails
1x 3/4 long guard rails	1x 3/4 long guard rails	1x 3/4 long guard rails
1x ladder for high loft bed	1x ladder for high loft bed	1x ladder for high loft bed
1x high loft bed kit	1x high loft bed kit	1x high loft bed kit
1x wood slats for mattress foundation	1x wood slats for mattress foundation	1x wood slats for mattress foundation

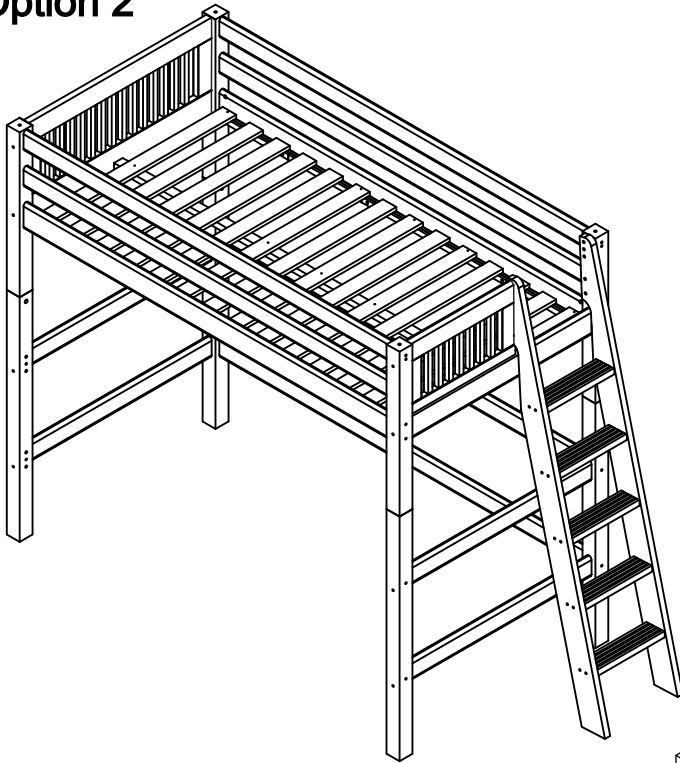
## ACCESSORIES

<b>LOW LOFT BED WITH SLIDE</b>	<b>UNDER BED TRUNDLE</b>
	
1x slide for mid height loft bed	1x trundle
<b>LOW LOFT BED WITH RETRACTABLE DESK</b>	
	
1x bookcase desk for mid or high loft bed	
<b>HIGH LOFT BED WITH DESK</b>	<b>UNDER BED DRAWERS</b>
	
1x long desk for high loft bed	1x two drawers

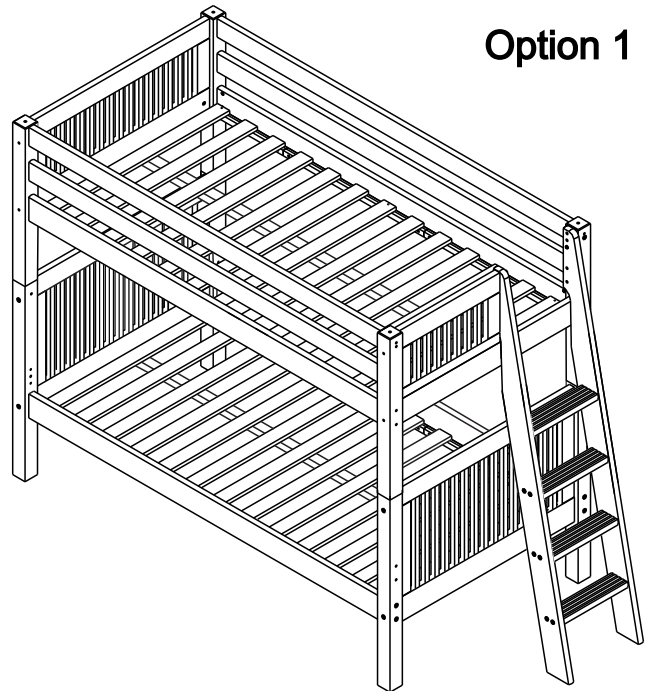
# LATERAL LADDER KIT - TWIN

The lateral entry head board is available in mission style and can be used for BUNK BED (option 01), HIGH LOFT BEDS (option 02) and LOW LOFT BEDS (option 03).

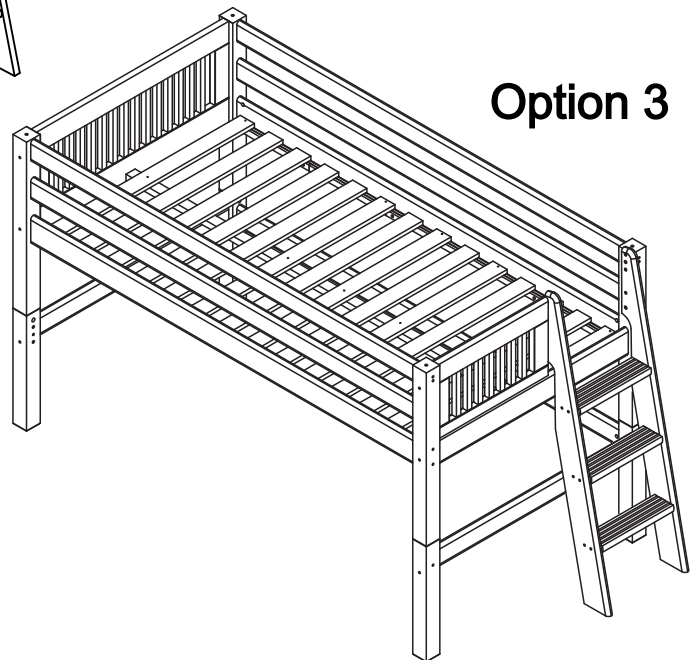
Option 2



Option 1



Option 3



## ATTENTION

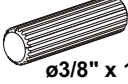



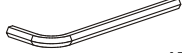


- 1 - Read and observe carefully all the assembly instructions before beginning assembly.
- 2 - The assembly of the product must be done on a clean and flat surface. We suggest to use the packaging to cover the floor to avoid damages.
- 3 - The screw must be tightened periodically.
- 4 - Avoid contact with sharp objects.
- 5 - Avoid banging pieces together.



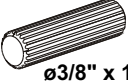


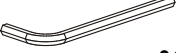
# Parts and hardware list for assembly of "LATERAL ENTRY HEAD BOARDS KIT".

The hardware is located in carton SKU numbers as indicated below. Please check all parts available.

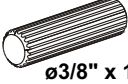
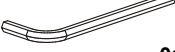

## Hardware - Carton

<b>A</b>  16Pc ø3/8" x 1 9/16"	<b>B</b>  12Pc ø1/4" x 4 1/4"	<b>C</b>  12Pc ø1/4"x5/8"	<b>E</b>  12Pc ø3/8"	<b>F</b>  1Pc
<b>G</b>  3Pc ø1/4" x 3 7/8"	<b>I</b>  15Pc ø1/8" x 1 3/8"			

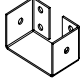

## Hardware - Carton

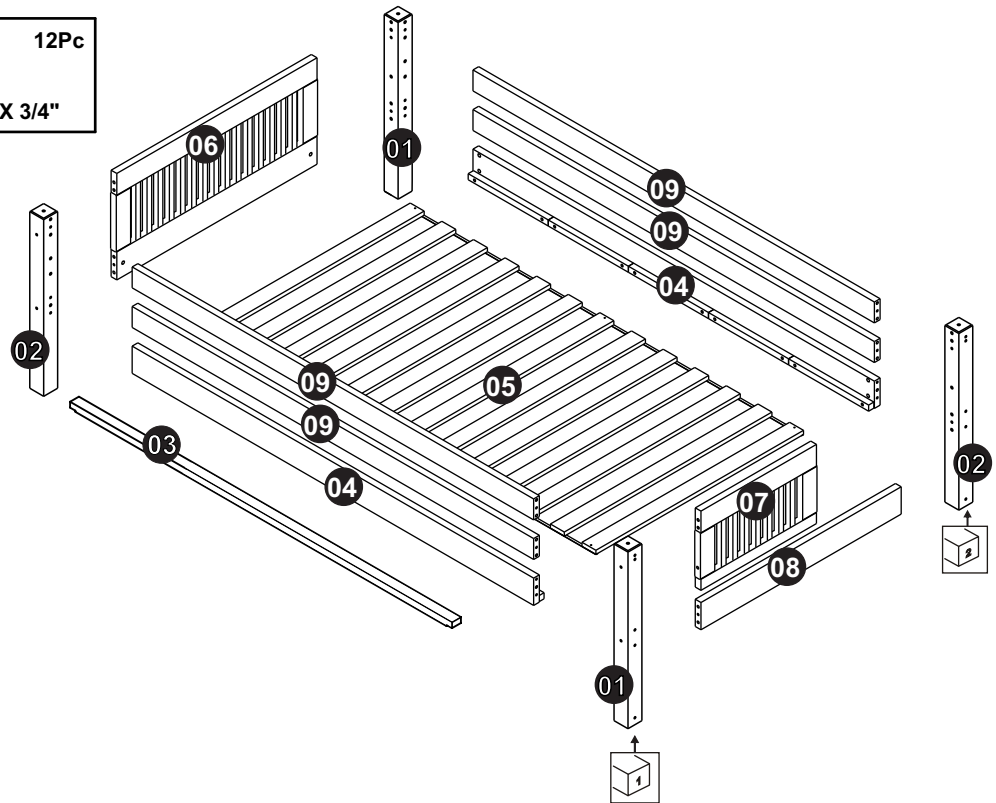
<b>A</b>  08Pc ø3/8" x 1 9/16"	<b>B</b>  02Pc ø1/4" x 4 1/4"	<b>C</b>  02Pc ø1/4"x5/8"	<b>F</b>  01Pc
--	---	---	--

## Hardware - Carton

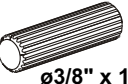



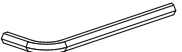


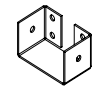

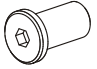





<b>A</b>  02Pc ø3/8" x 1 9/16"	<b>F</b>  01Pc	<b>N</b>  01Pc ø1/4 X 2 5/16"
--	---	---

## Hardware - Carton

<b>J</b>  2Pc	<b>M</b>  12Pc ø1/8" X 3/4"
---	---

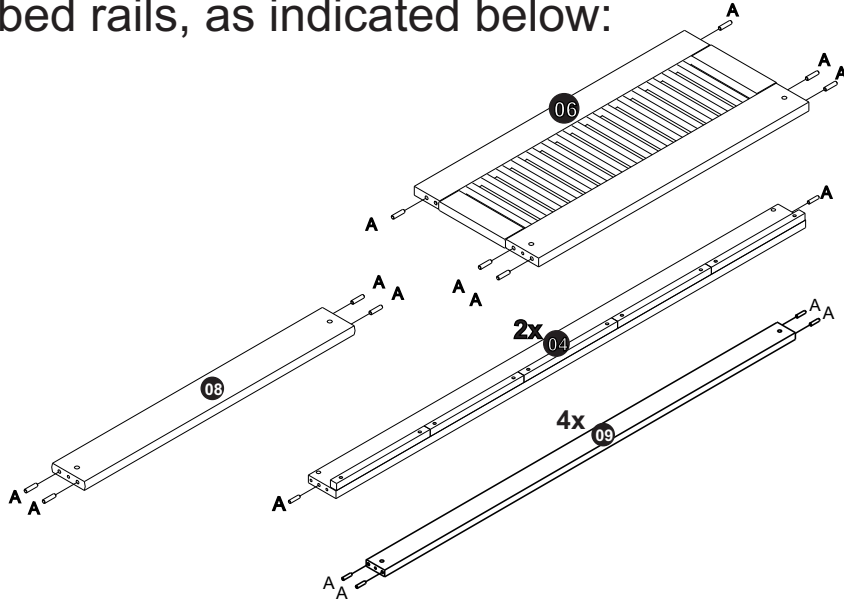


## Total Parts + Hardware needed for Assembly

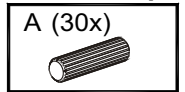
<b>A</b>  35Pc ø3/8" x 1 9/16"	<b>B</b>  16Pc ø1/4" x 4 1/4"	<b>C</b>  16Pc ø1/4"x5/8"	<b>E</b>  12Pc ø3/8"	<b>F</b>  2Pc
<b>G</b>  3Pc ø1/4" x 3 7/8"	<b>I</b>  15Pc ø1/8" x 1 3/8"	<b>J</b>  2Pc	<b>K</b>  1Pc ø1/4" X 3 1/8"	<b>L</b>  1Pc ø1/4"
<b>M</b>  12Pc ø1/8" X 3/4"	<b>N</b>  1Pc ø1/4 X 2 5/16"	<b>P</b>  4Pc ø1/4" X 1 9/16"	<b>AH</b>  04 Pcs.	<b>AI</b>  04 Pcs.

# ASSEMBLY INSTRUCTIONS

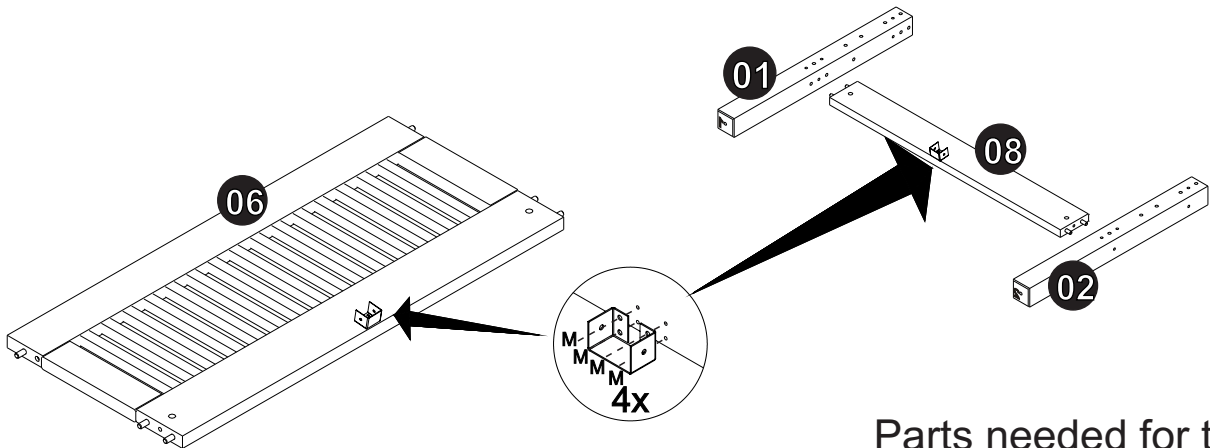
Step 01 - Place wood dowels into head board panels, guard rails and bed rails, as indicated below:



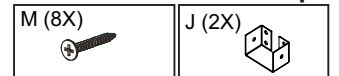
Parts needed for this step:



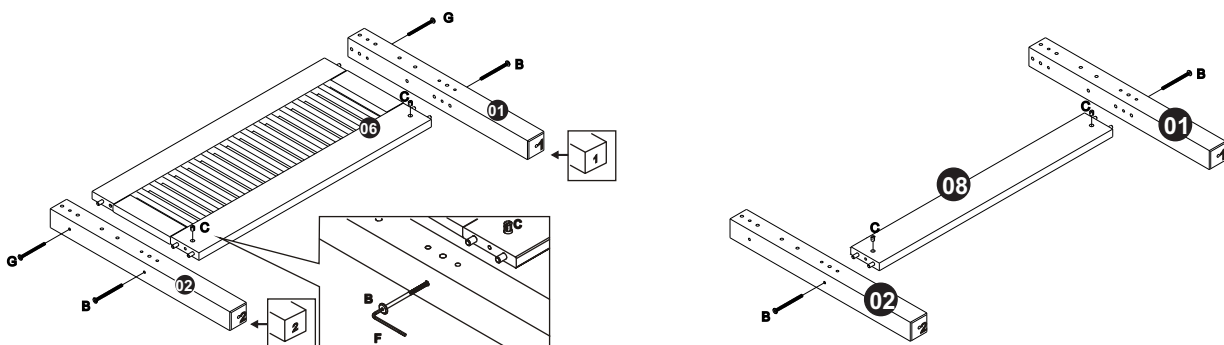
Step 02 - Attach metal center support bracket to head board panel and lateral head board cross rail as shown below:



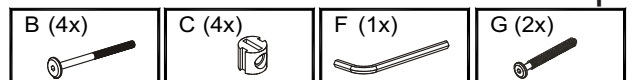
Parts needed for this step:



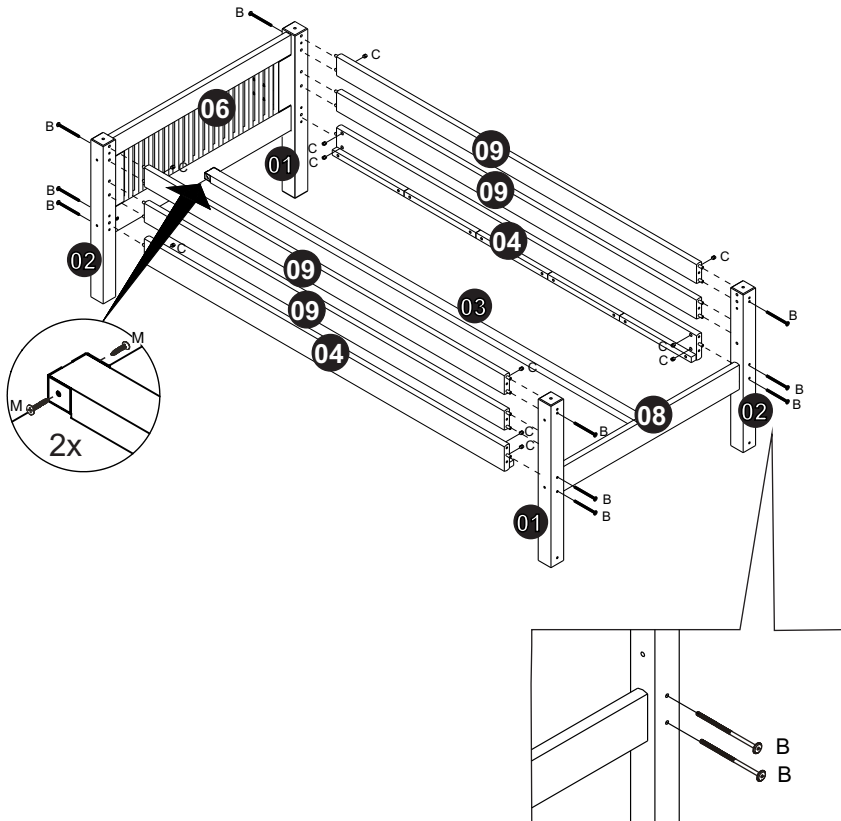
Step 03 - Fasten head board panel and lateral head board cross rail to bed posts as shown:



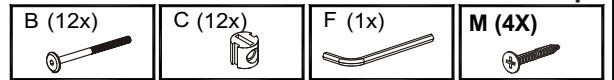
Parts needed for this step:



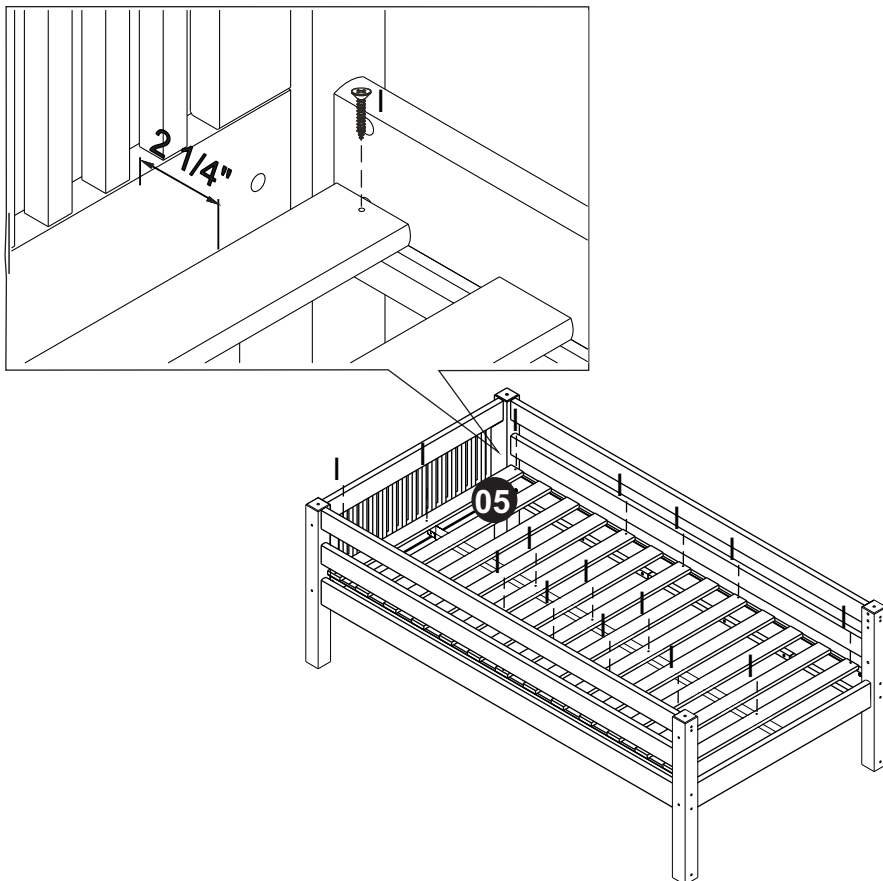
Step 04 - Attach bed rails, full Length Guard Rails and center support rail to assembled head boards as indicated below:



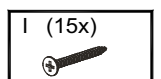
Parts needed for this step:



Step 05 - Attach slat roll foundation to bed rails and center support rail as indicated:

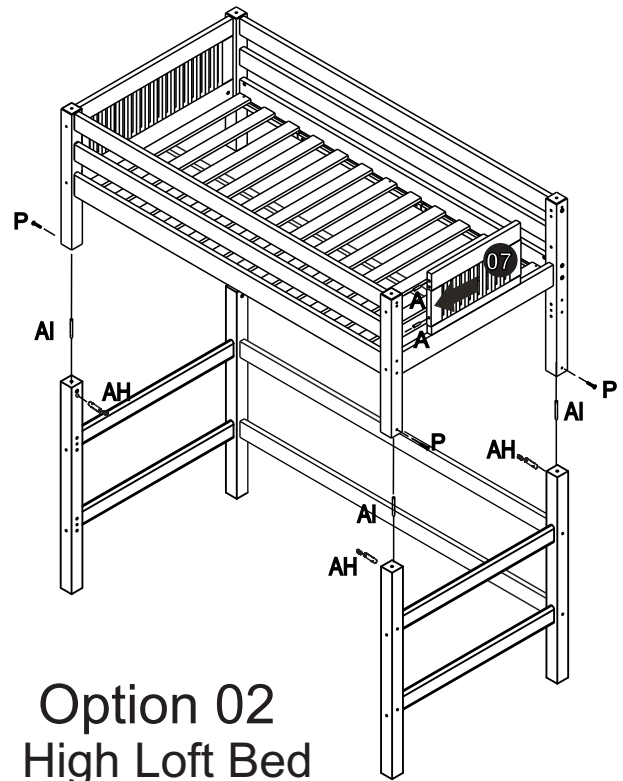
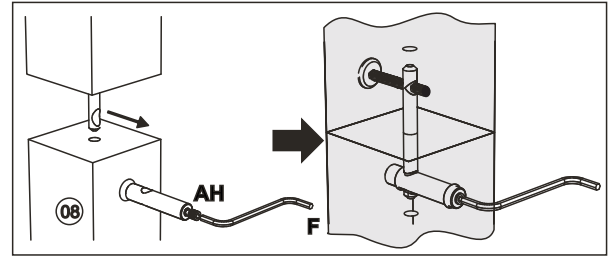
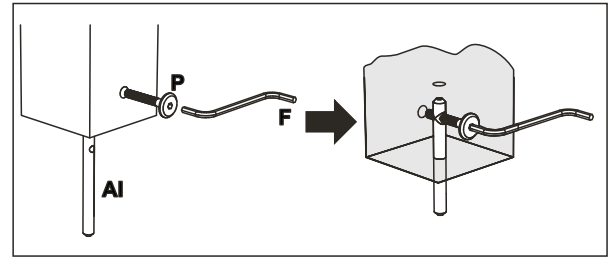
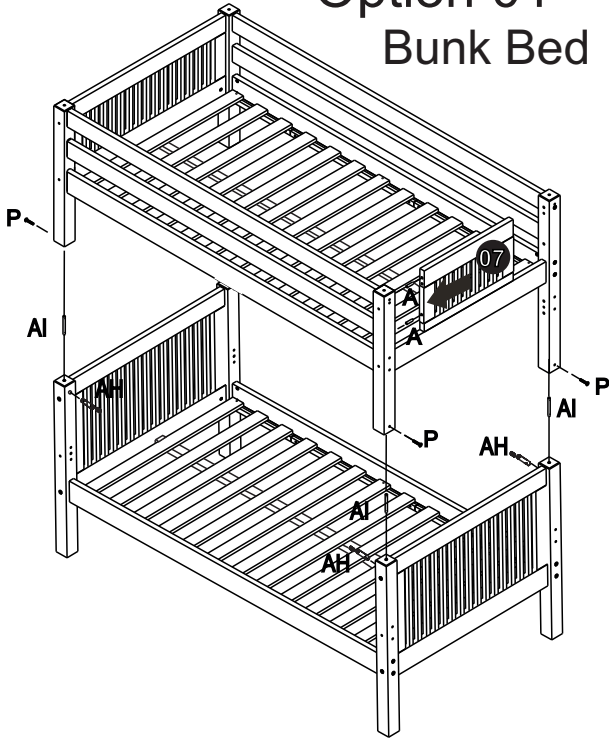


Parts needed for this step:

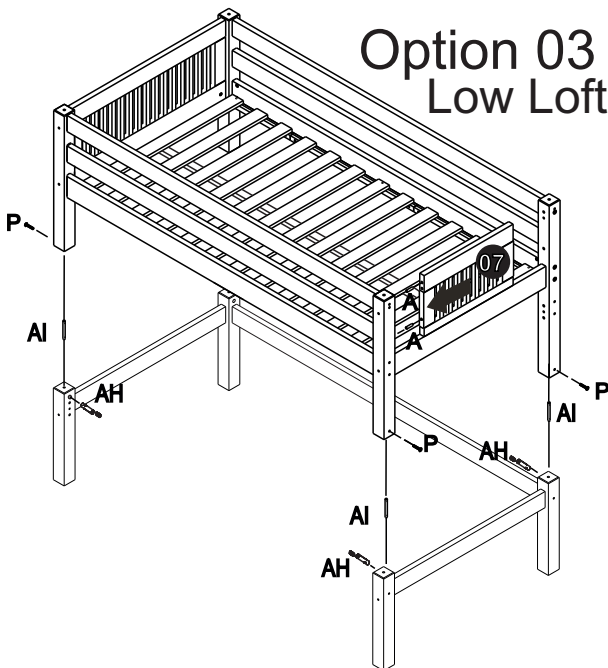


Step 06 - Put wood dowels (part A) into half lateral head board panel and position on the side of the bed posts you desire ladder to be attach to (left or right side of head board). Depending on the option of bed, fasten the assemble base bed to the lower bed or extender kits as illustrated by options 1,2 or 3.

### Option 01 Bunk Bed



### Option 03 Low Loft Bed



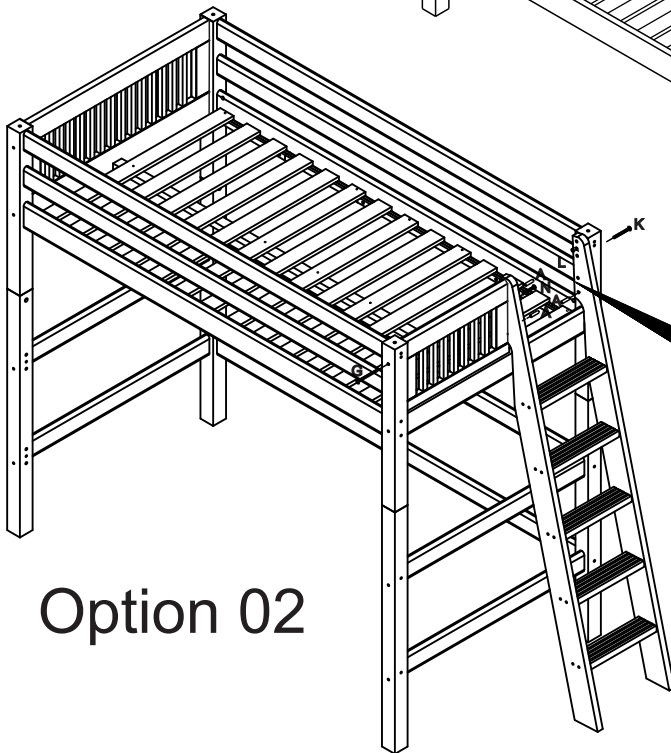
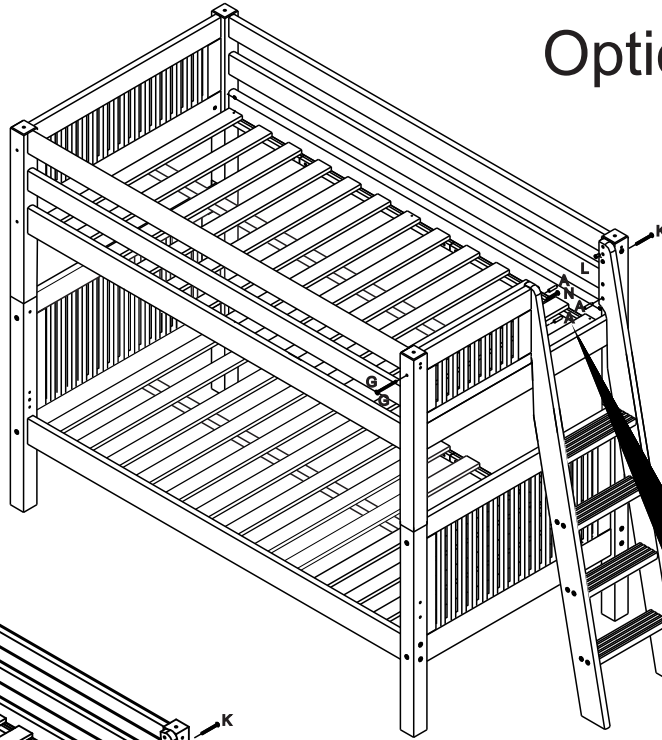
### Option 02 High Loft Bed

Parts needed for this step:

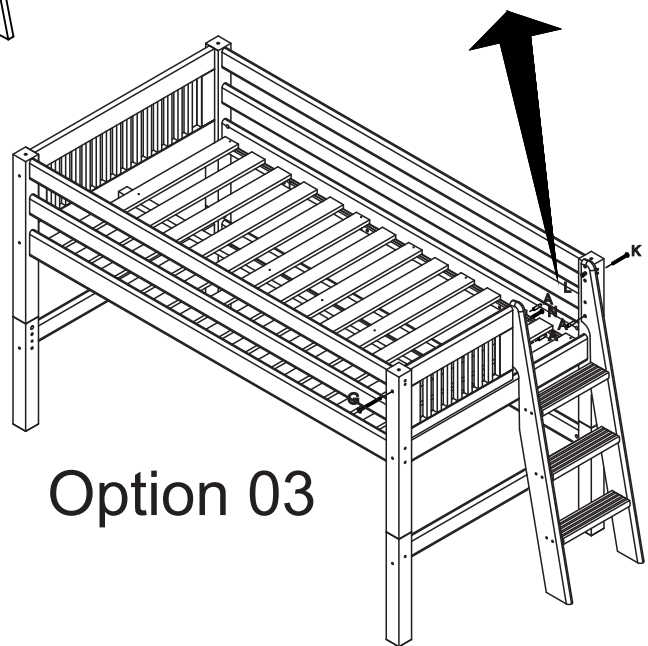
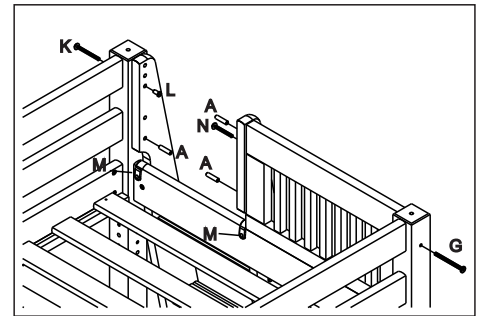
<b>A (2x)</b> 	<b>F (1x)</b> 	<b>P (4x)</b> 	<b>AH (4x)</b> 	<b>AI (4x)</b> 
-------------------	-------------------	-------------------	--------------------	--------------------

Step 07 - Attach assembled ladder (option 1,2 or 3) to the lateral entry head board panel and bed post as indicated.

Option 01

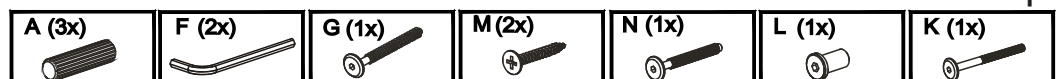


Option 02



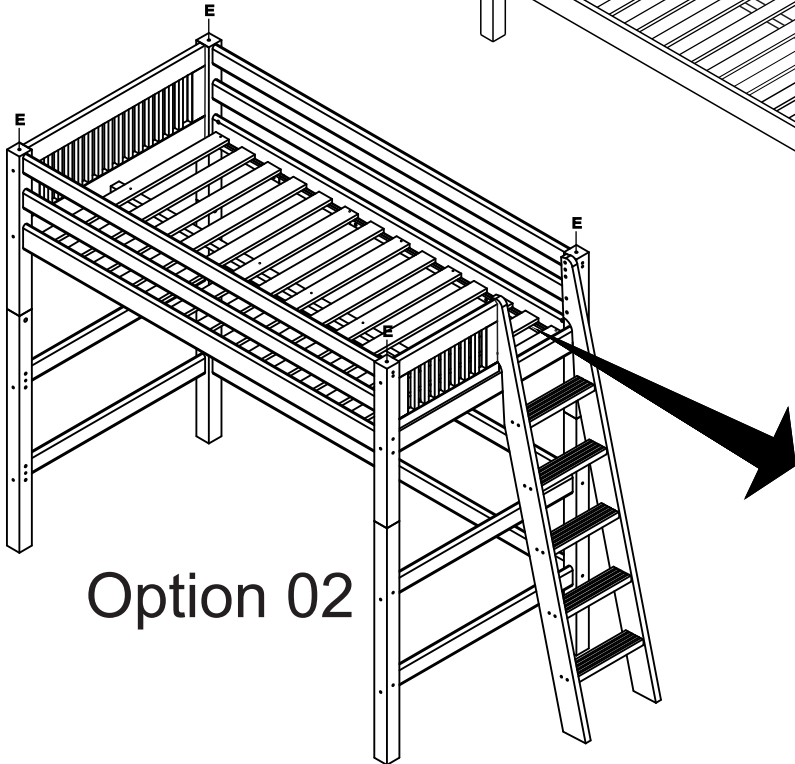
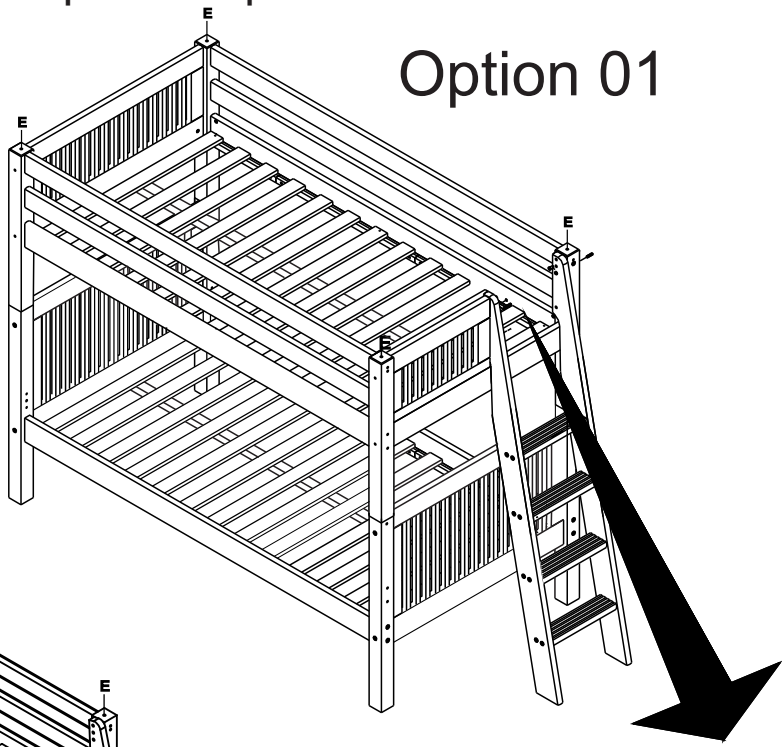
Option 03

Parts needed for this step:

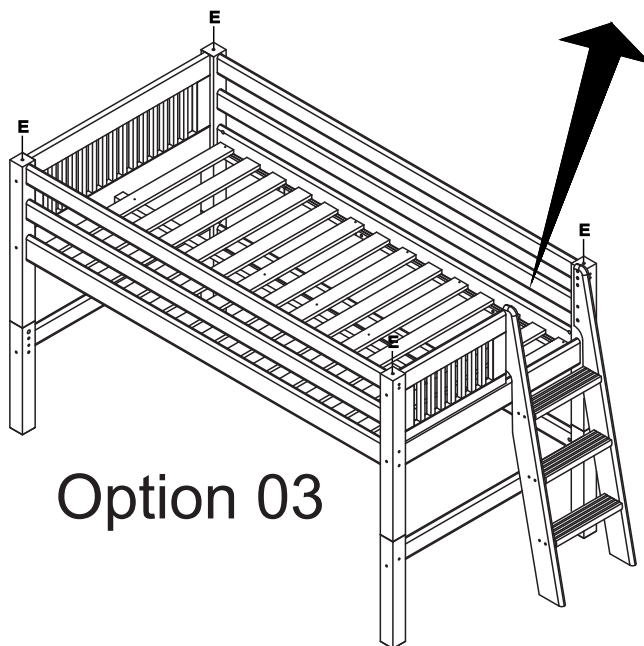
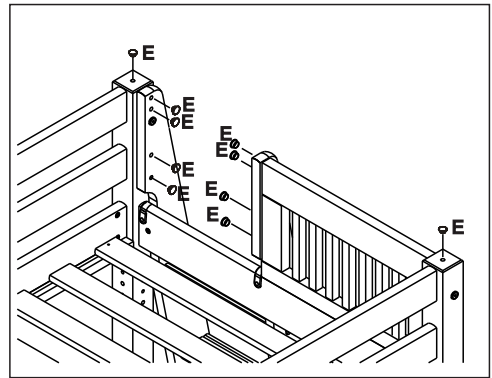


Step 08 - Place plastics caps into open screw holes.

Option 01



Option 02



Option 03

Parts needed for this step:

