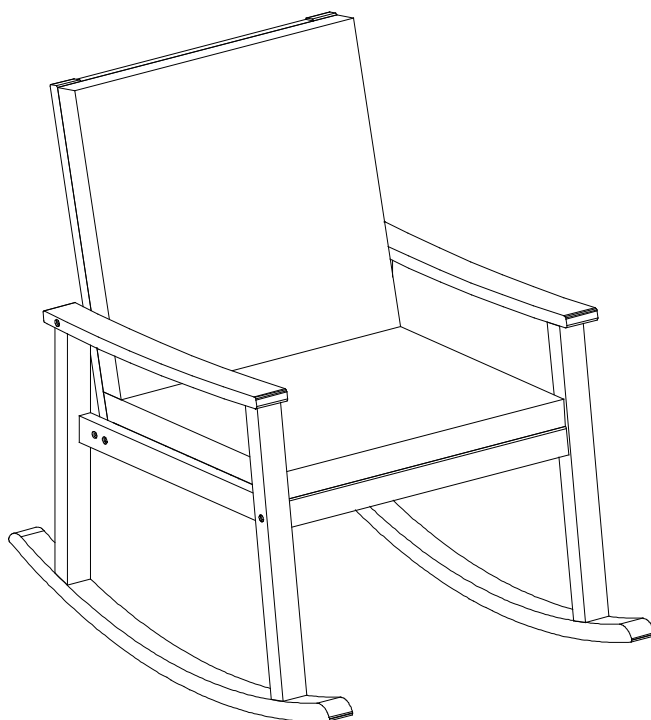


Assembly Instructions

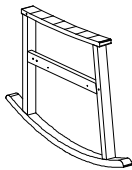
Caution : You must read this before you proceed

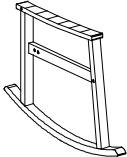
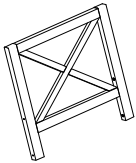
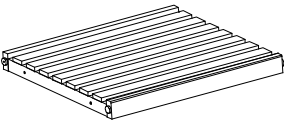

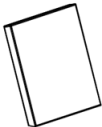
ROCKING CHAIR






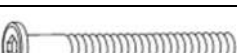
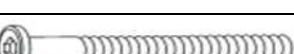
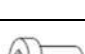
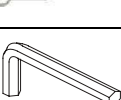
CAUTION : This Chair is NOT a TOY. Keep your child / children at bay in the process of assembly. For turning the chair and to prevent damage to the Table, 02 persons may be needed to execute this action

Parts List

Label	Picture	Description	QTY
A		Left Arm with Leg Panel	1

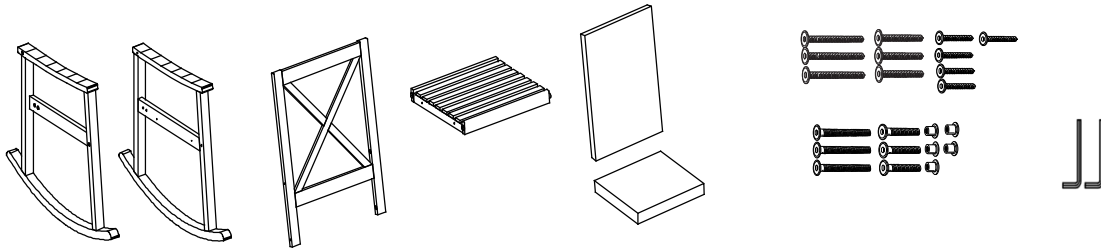
B		Right Arm with Leg Panel	1
C		Backrest Panel	1
D		Seat Panel	1
E		Seat Cushion	1
F		Back Cushion	1






Hardware

No.	Picture	Description	Qty
①		Long Screw M6x80mm	3
②		Medium Screw M6x60mm	3
③		Short Screw M6x35mm	5
④		Short Bolts M6x55mm	3
⑤		Long Bolts M6x95mm	3
⑥		Sleeve Nut M6x15mm	5
⑦		Allen Key	2

Assembly Preparation

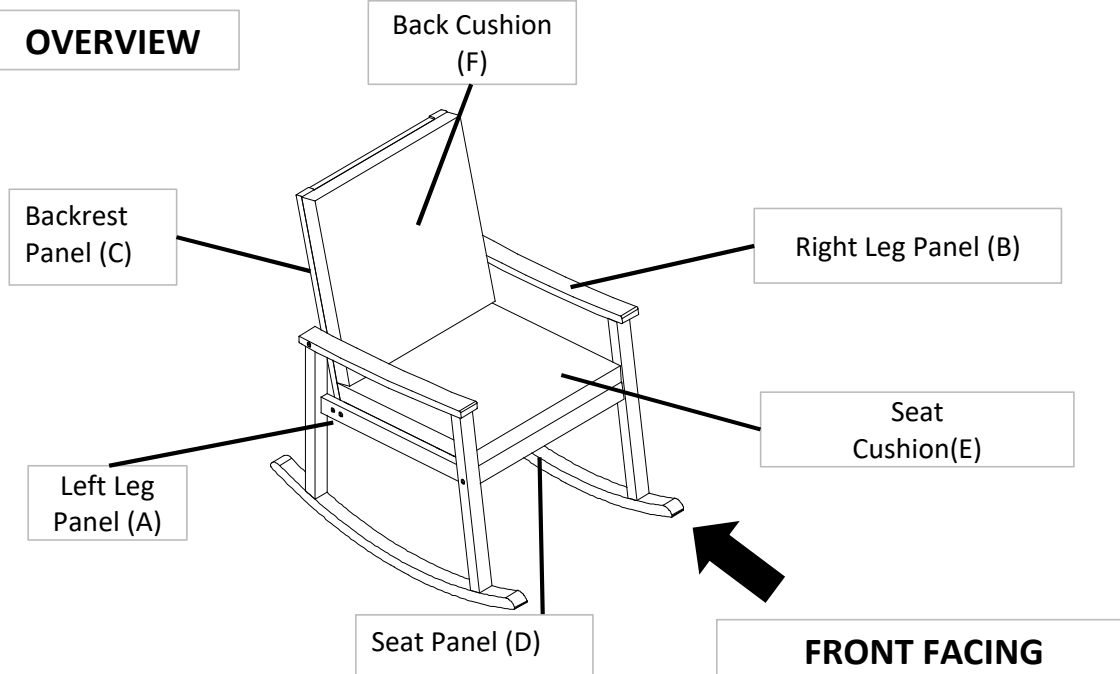
Before Beginning Assembly:



-  • Read instructions, cover to cover-
-  • Have 2 adults on hand for assembly-
-  • Do not assemble on flooring or carpet-
-  • Assemble on a clean non-marring surface (packing foam)-
-  • Save all packaging until finished-

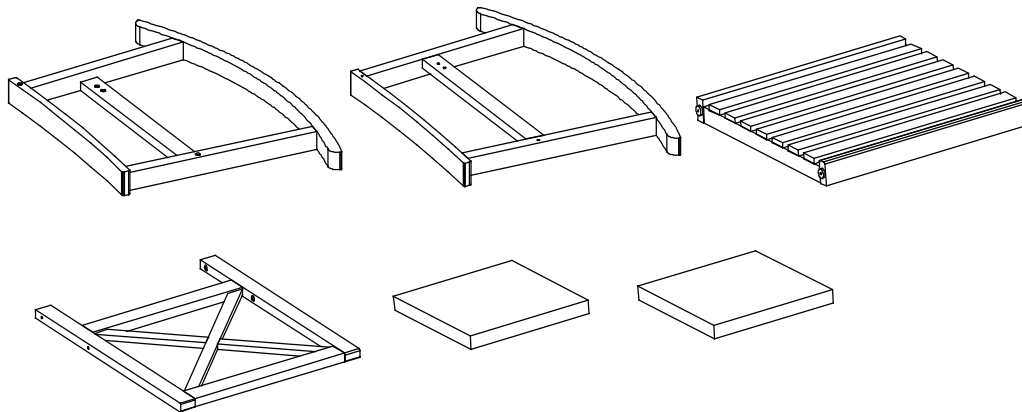
Assembly Steps

OVERVIEW



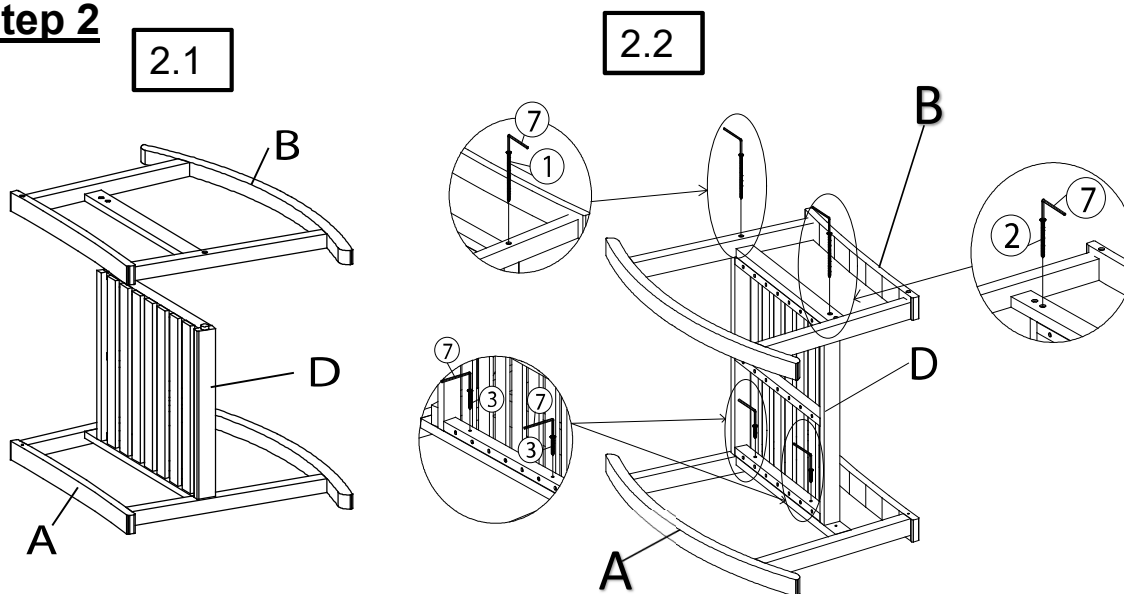
This Chair has multiple parts and may require up to some 30 minutes to assemble. To give you an overview of the Chair, the above picture is to help you put the various parts into perspective. Please read through the instructions here below to familiarise the parts and steps before assembly.

Step 1



Unpack and place all parts on a clean, non-marring surface.

Step 2



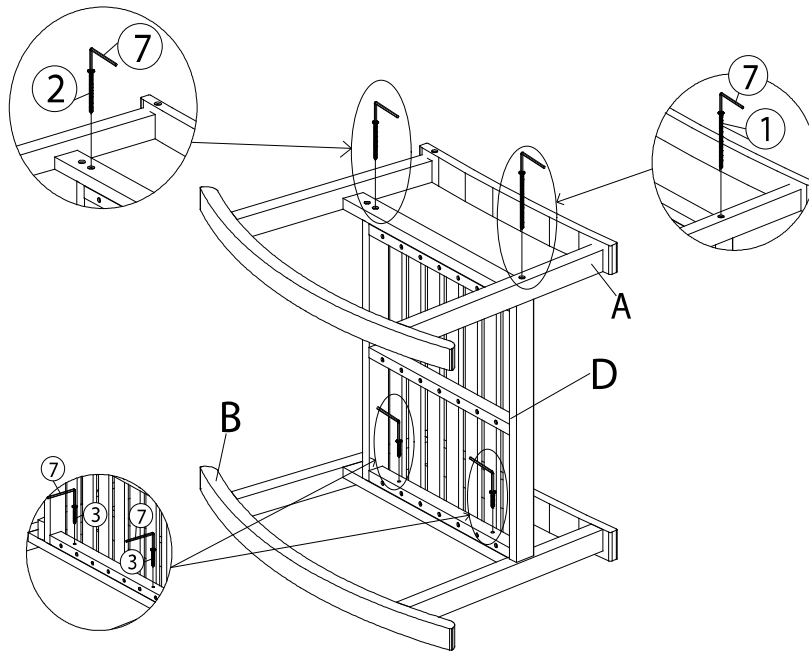
2.1) Position Seat Panel (D) to Left Leg Panel (A)

Then position Right Leg Panel (B) onto Seat Panel (D) as shown in picture above
2.2) Secure Right Leg Panel (B) to Seat Panel (D) by using Screw (1) , (2) and Allen Key (7)

Then, secure Seat Panel (D) to Left Leg (A) by using Screw (3) and Allen Key (7).

Do not fully tighten the Screws.

Step 3

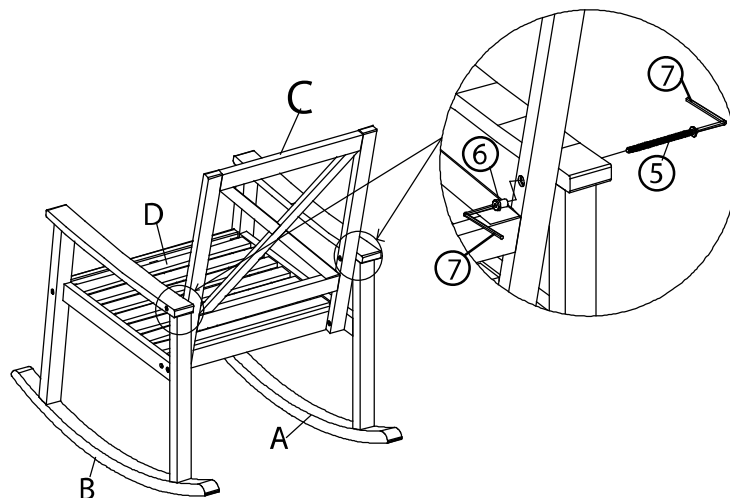


With assistance from your adult partners, turn the Chair into the other side. Repeat the same process of step 2 to secure Left Leg Panel (A) with Seat Panel (D) by using Screw (1)(2), and Allen Key (7).

Then secure Seat Panel (D) to Right Leg Panel (B) by using Screw (3) and Allen Key (7).

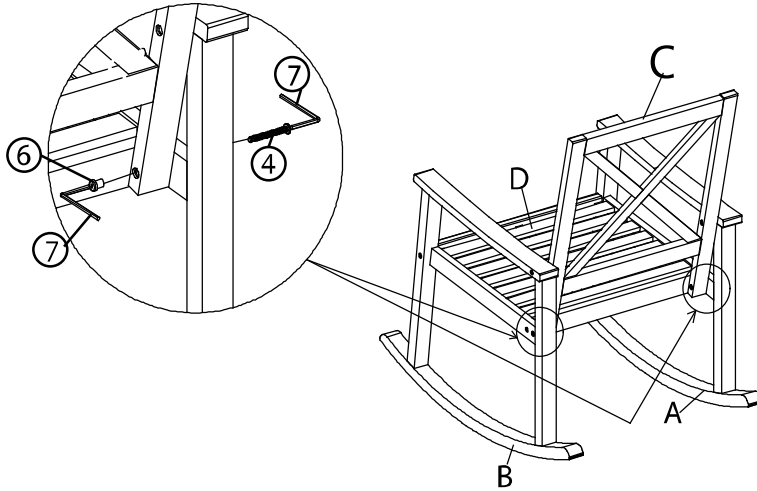
Do not fully tighten the Screws.

Step 4



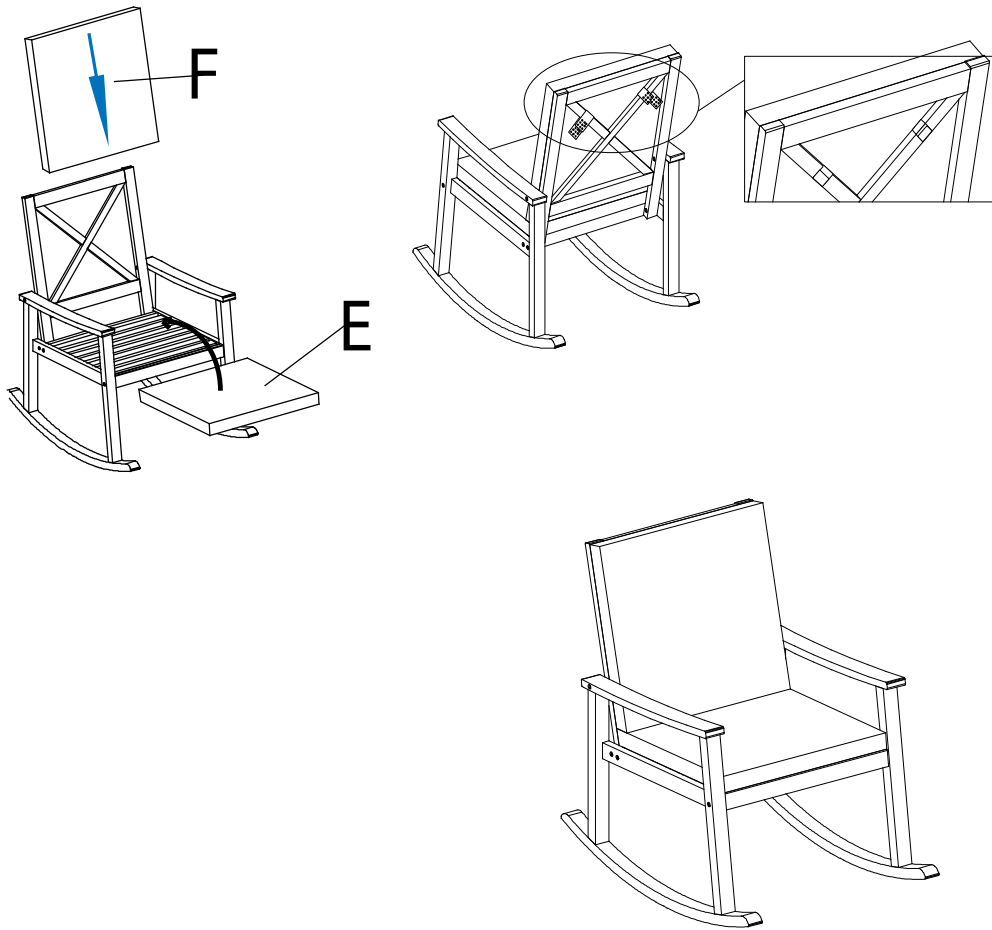
Turn the Chair right side up.
Position Backrest Panel (C) to Leg Panels (A & B) as the picture above
Secure Leg Panels (A), (B) to Backrest Panel (C) by using Long Bolts (⑤) &
Sleeve Nuts (⑥) and Allen Key (⑦)
Do not fully tighten the Screws.

Step 5



Turn the Chair right side up.
Position Backrest Panel (C) to Leg Panels (A & B) as the picture above
Secure Leg Panels (A), (B) to Backrest Panel (C) by using Short Bolts (④), &
Sleeve Nuts (⑥) and Allen Key (⑦)
Do not fully tighten the Screws.

Step 5



Inspect the Chair and make sure all parts are connected.
Place Back Cushion (F) and Seat Cushion (E) onto the Chair
Tie the velcro straps of Back Cushion (F) to Backrest Panel (C) and Seat Cushion (E) to Seat Panel (D).





Your Chair is ready for use.

This Chair can only be used on a flat, level surface.

Care & Maintenance

- Do not put hot items directly on furniture surface.
- Do not clean furniture with harsh cleansers or polish.
- To obtain the longest lifespan of your outdoor products, minimizing exposure to direct sunlight is recommended.
- Children should not climb or jump on the furniture.
- Do not write on furniture without a padded barrier to protect the surface.

To obtain the longest lifespan of your outdoor products, avoid extended and

- ✓  ● To obtain the longest lifespan of your outdoor products, avoid extended and lengthy exposure to rain, snow, and direct sunshine. Whenever possible cover the product and /or place under patio or awnings.
 - ⊘  ● Not for commercial use. For residential use only.
 - ⊘  ● Stains may be removed with mild soap solution and damp cloth.
-
- ✓  ● Dust and pick-up spills using a clean, non-colored, lint-free cloth.

Questions & Answers about Proposition 65

- What is Proposition 65?

Proposition 65 requires businesses to provide warnings to Californians about significant exposures to chemicals that cause cancer, birth defects or other reproductive harm. These chemicals can be in the products that Californians purchase, in their homes or workplaces, or that are released into the environment. By requiring that this information be provided, Proposition 65 enables Californians to make informed decisions about their exposures to these chemicals.

Proposition 65 also prohibits California businesses from knowingly discharging significant amounts of listed chemicals into sources of drinking water.

Proposition 65 requires California to publish a list of chemicals known to cause cancer, birth defects or other reproductive harm. This list, which must be updated at least once a year, has grown to include approximately 900 chemicals since it was first published in 1987.

- What types of chemicals are on the Proposition 65 list?

The list contains a wide range of naturally occurring and synthetic chemicals that include additives or ingredients in pesticides, common household products, food, drugs, dyes, or solvents. Listed chemicals may also be used in manufacturing and construction, or they may be byproducts of chemical processes, such as motor vehicle exhaust.

- What does a warning mean?

If a warning is placed on a product label or posted or distributed at a workplace, a business, or in rental housing, the business issuing the warning is aware or believes that it is exposing individuals to one or more listed chemicals.

By law, a warning must be given for listed chemicals unless the exposure is low enough to pose no significant risk of cancer or is significantly below levels observed to cause birth defects or other reproductive harm.

- Where can I get more information on Proposition 65?

If you have specific questions on the administration or implementation of Proposition 65, you can contact OEHHA's Proposition 65 program at P65.Questions@oehha.ca.gov, or by phone at (916) 445-6900.