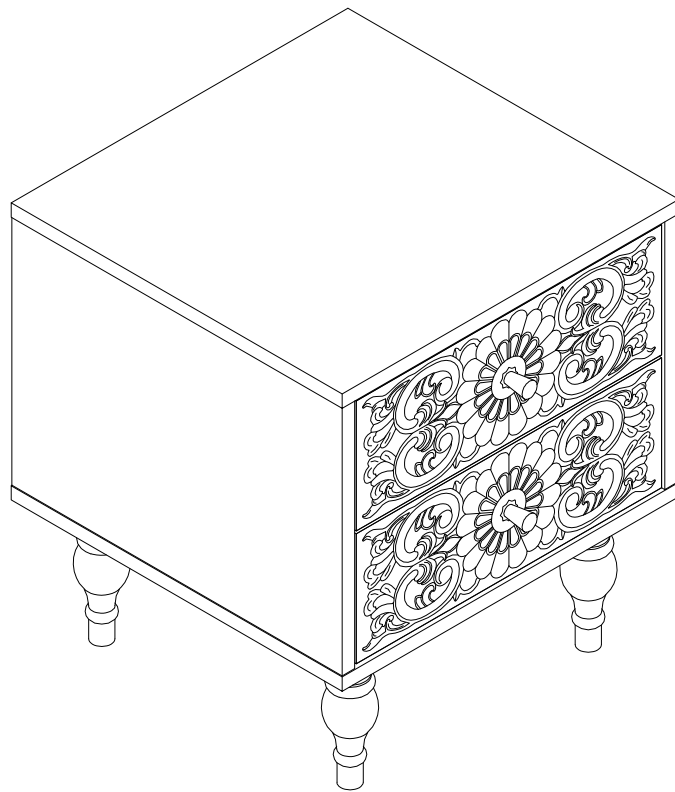


# Assembly Instructions

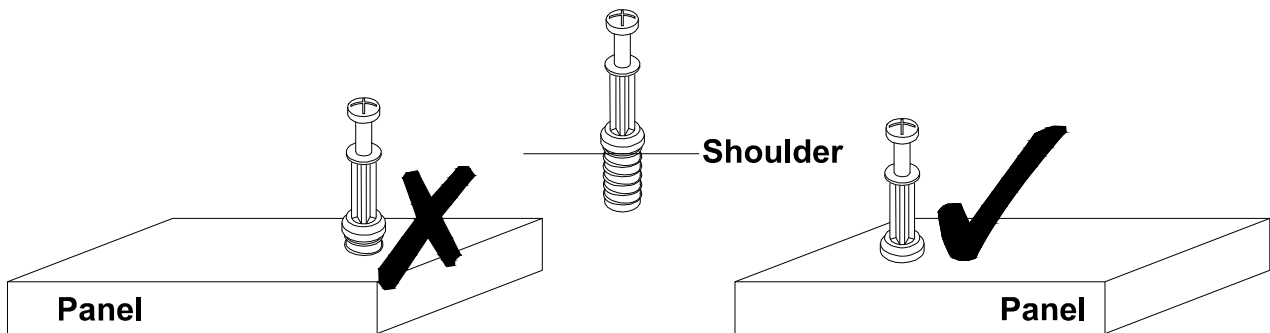


# Before Assembly

## Tips Before Your Start:

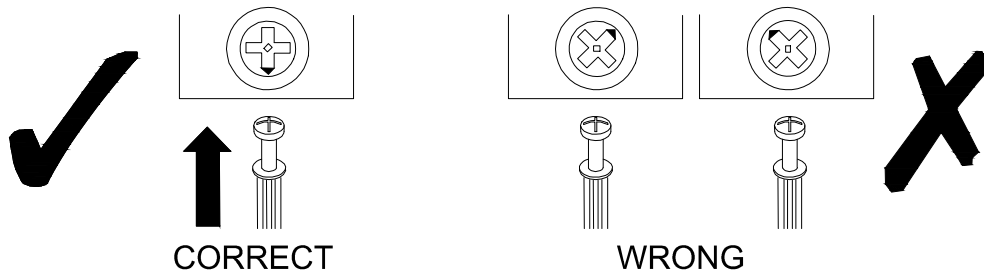
- Remove all wrapping material, including staples & packing straps before you start to assemble.
- DO NOT tighten all screws and bolts until the assembly is completely assembled.
- Keep all hardware parts out of reach of children.

## QUICKFIT



Tighten quickfit until shoulder is flush with panel. Do not overtighten or undertighten.

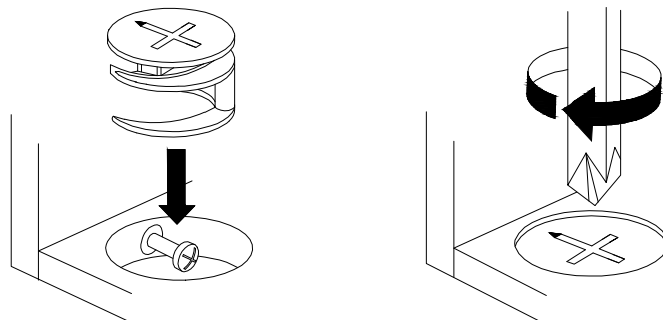
## CAM LOCK



When fitting a cam lock, ensure the starting position is correct before inserting the connecting QUI CKFIT

Quickfit head should be in the centre of the cam lock when the two panels are joined.

Cam lock should be inserted before quickfit.

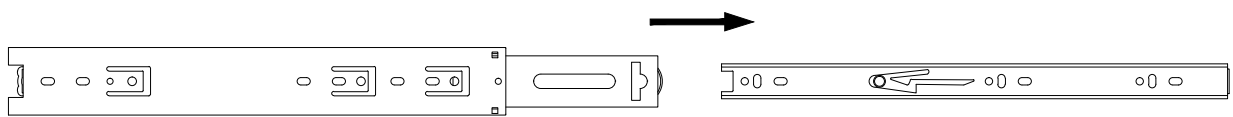
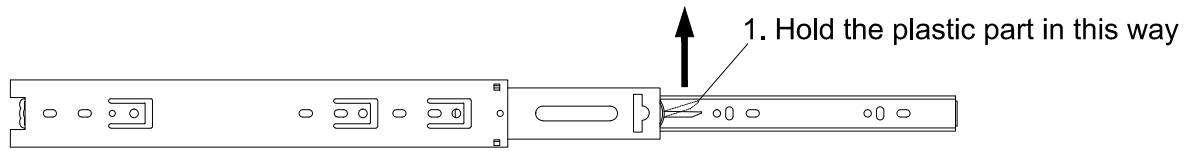


Turn cam lock clockwise to tighten.

# Before Assembly

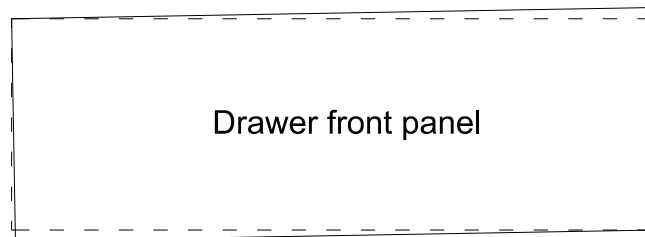
## Tips Before Your Start

How to separate the drawer slider:

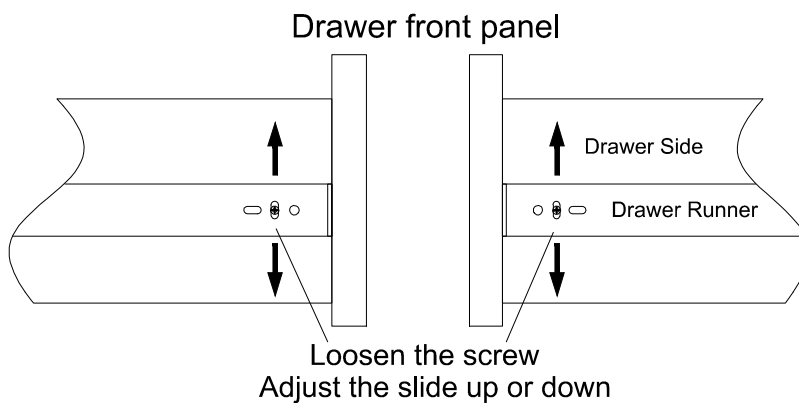


2. Pull out the inner slider for drawer box fixing

## Drawer Front Alignment




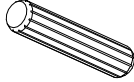
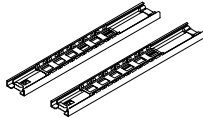
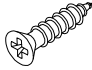
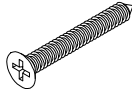
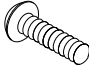

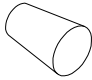
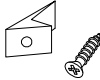
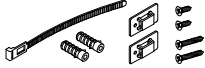


If the drawer front panel is NOT level after being assembled, then...

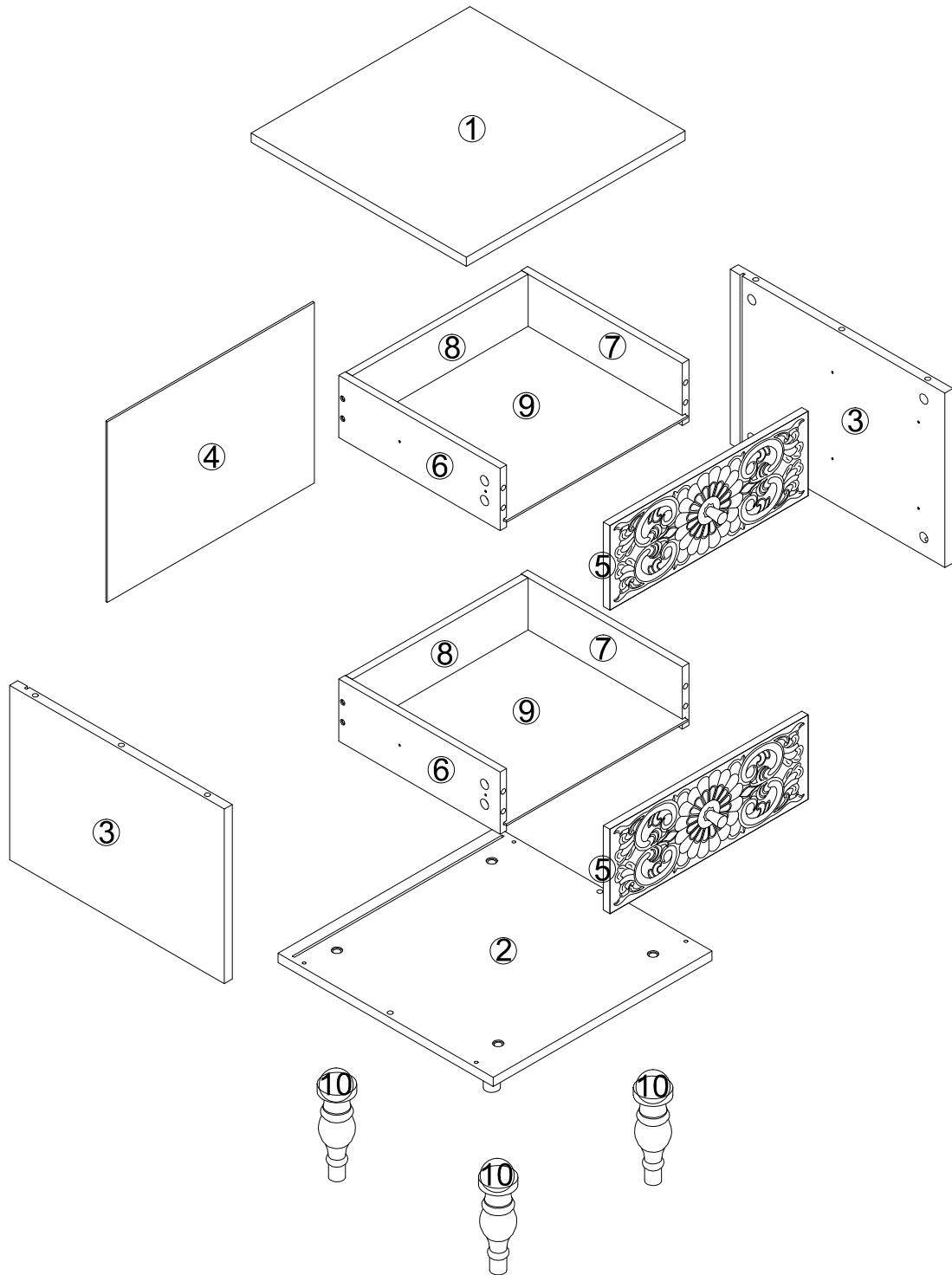


Loosen the screws on the left and right hand side, then adjust the drawer slide up or down, until the drawer fronts are even/level, then tighten the screws.

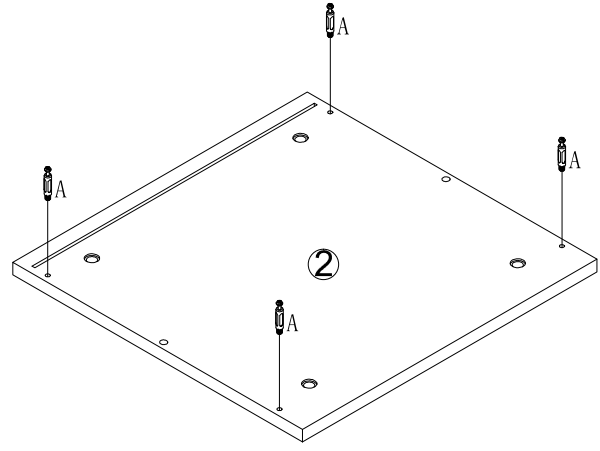
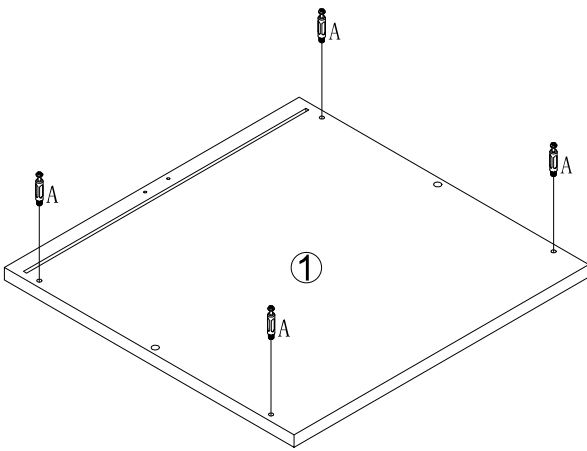
# Part List

<p><b>No. A</b> Quantity:16 Pcs Cam Lock Dowel 8*28mm</p> 	<p><b>No. B</b> Quantity:16 Pcs Cam φ15</p> 	<p><b>No. C</b> Quantity:16 Pcs Sticker Ø20</p> 	<p><b>No. D</b> Quantity:4 Pcs Dowel 8*30mm</p> 
<p><b>No. E</b> Quantity:2 Sets Drawer Slider 10"</p> 	<p><b>No. F</b> Quantity:16 Pcs Screw M3.5*12mm</p> 	<p><b>No. G</b> Quantity:8 Pcs Screw M4*30mm</p> 	<p><b>No. H</b> Quantity:2 Pcs Screw M4*18mm</p> 
<p><b>No. I</b> Quantity:4 Pcs Slip Mat Ø20</p> 	<p><b>No. J</b> Quantity:2 Pcs Handle</p> 	<p><b>No. K</b> Quantity:4 Sets Plastic Wedge</p> 	<p><b>No. L</b> Quantity:1 Sets Anti-falling Parts</p> 

# Product structure



# STEP 1



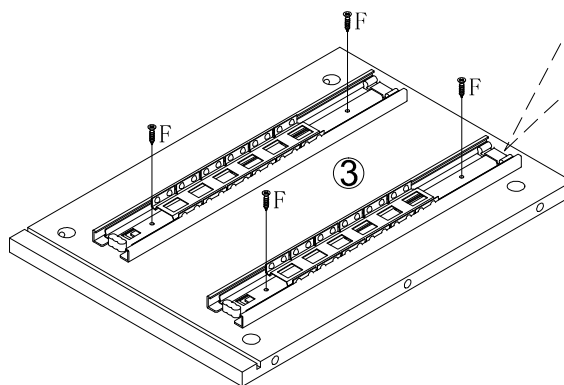
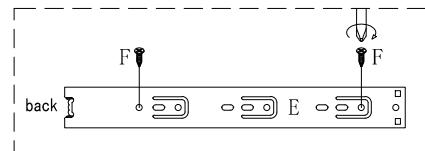
No. A  
Quantity: 8 Pcs  
8\*28 mm



# STEP 2

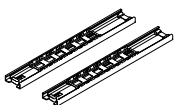


The first screw hole should corresponded with the board location hole



# x2

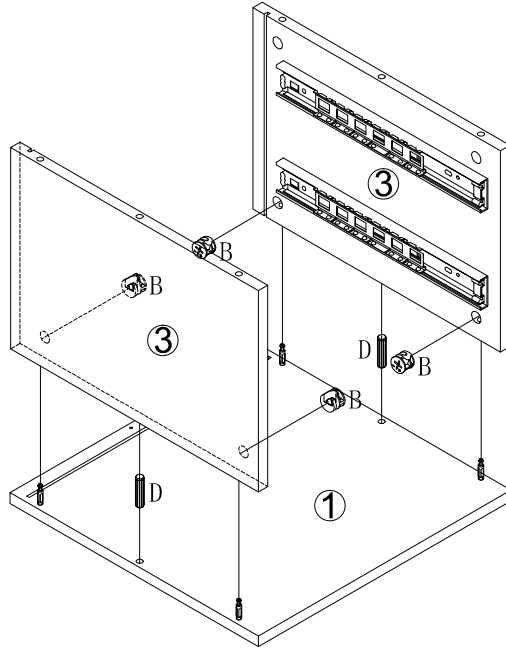
No. E  
Quantity: 2 Sets  
10"



No. F  
Quantity: 8 Pcs  
M3.5\*12mm



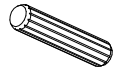
# STEP 3



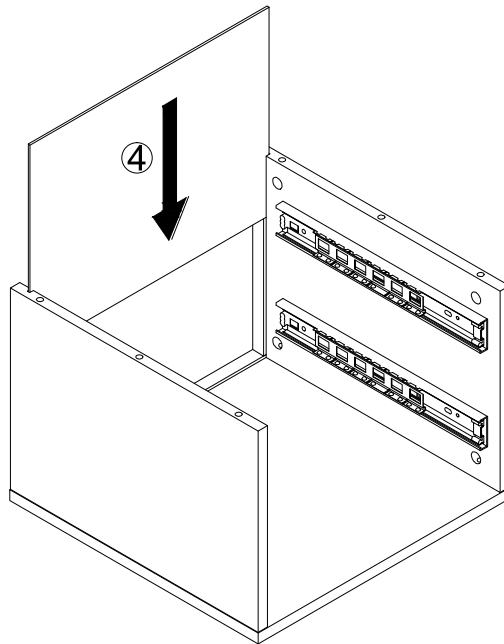
No. B  
Quantity: 4 Pcs  
Ø15



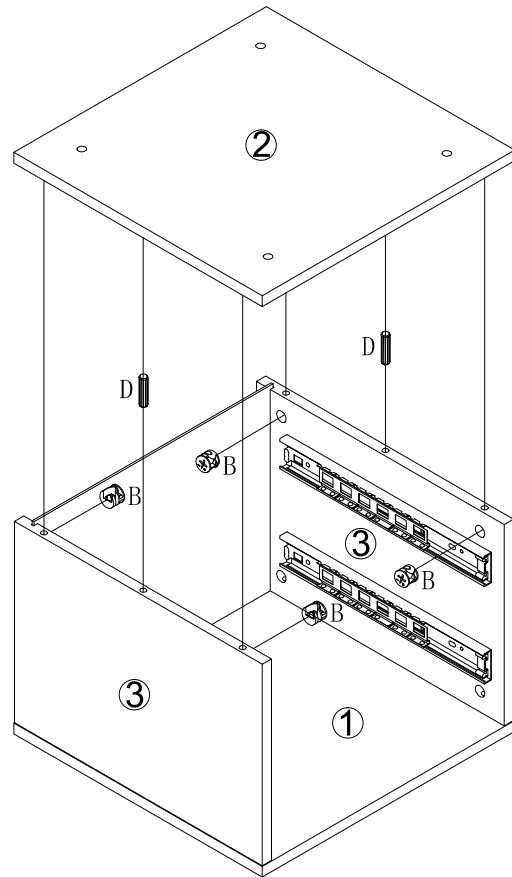
No. D  
Quantity: 2 Pcs  
8\*30mm



# STEP 4



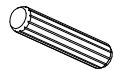
# STEP 5



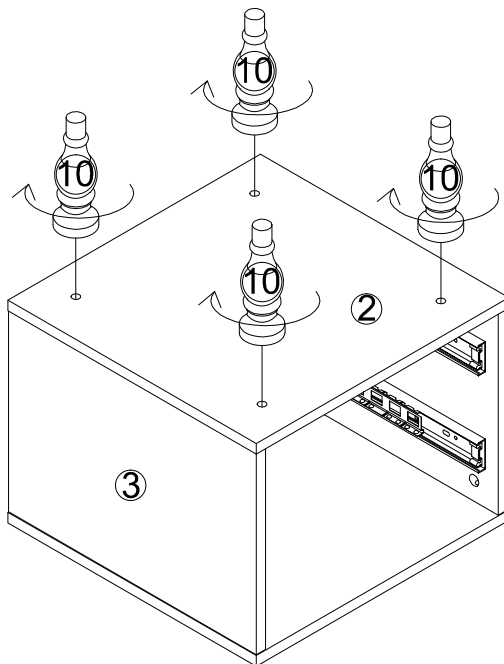
No. B  
Quantity: 4 Pcs  
Ø15



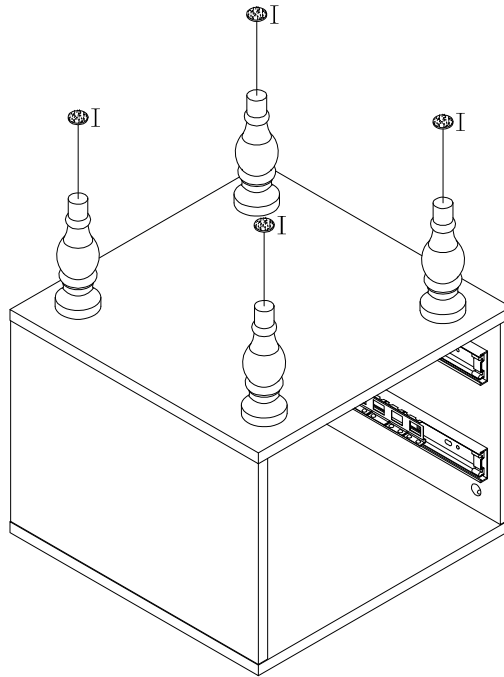
No. D  
Quantity: 2 Pcs  
8\*30mm



# STEP 6



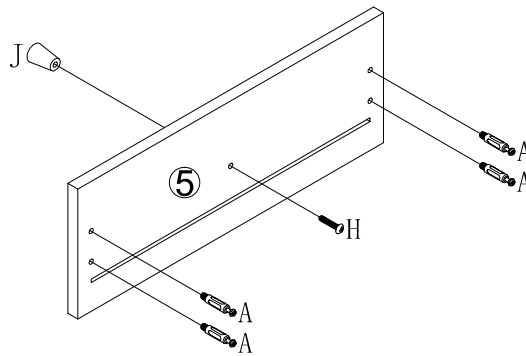
# STEP 7



No. I  
Quantity: 4 Pcs  
Ø20



# STEP 8



**×2**

No. A  
Quantity: 8 Pcs  
8\*28 mm



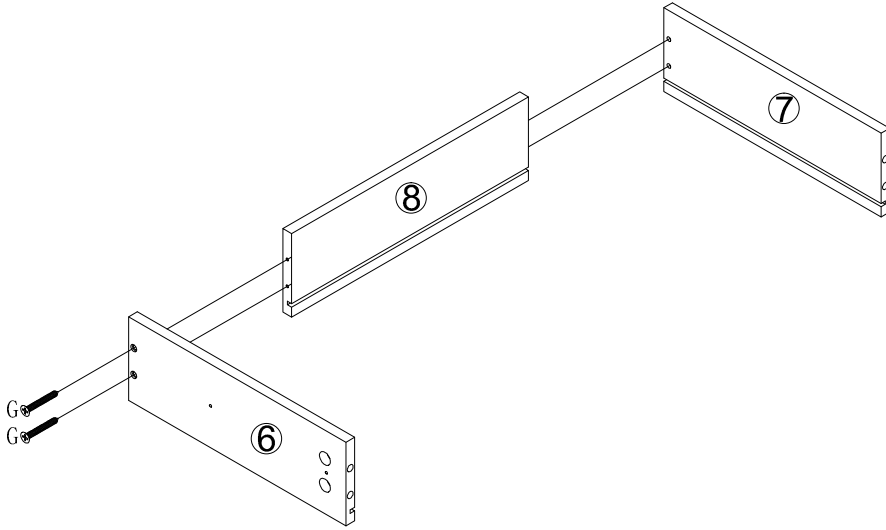
No. J  
Quantity: 2 Pcs  
Handle



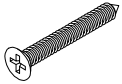
No. H  
Quantity: 2 Pcs  
M4\*18mm



## STEP 9

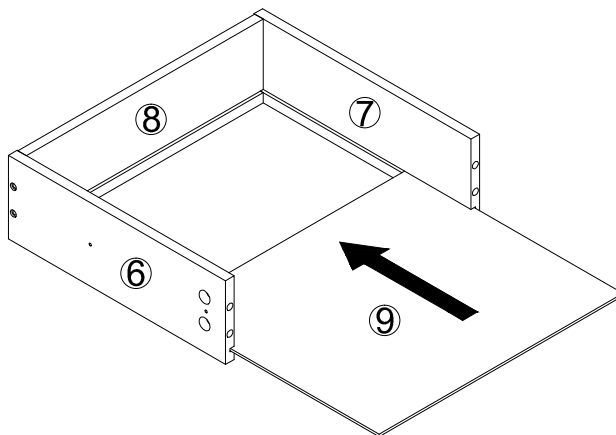


No. G  
Quantity: 8 Pcs  
M4\*30mm



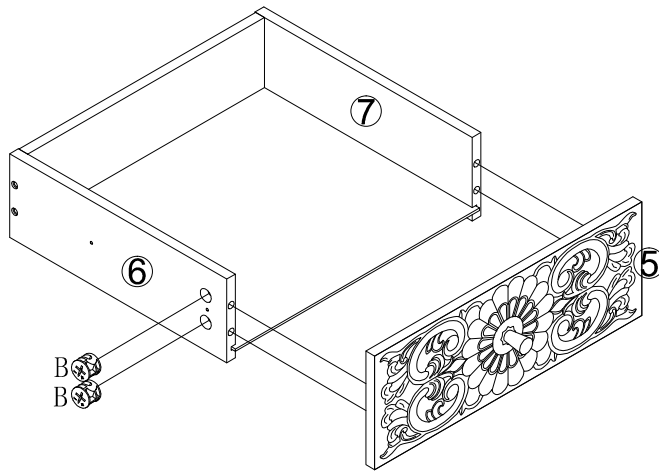
**x2**

## STEP 10



**x2**

# STEP 11



No. B  
Quantity: 8 Pcs  
Ø15

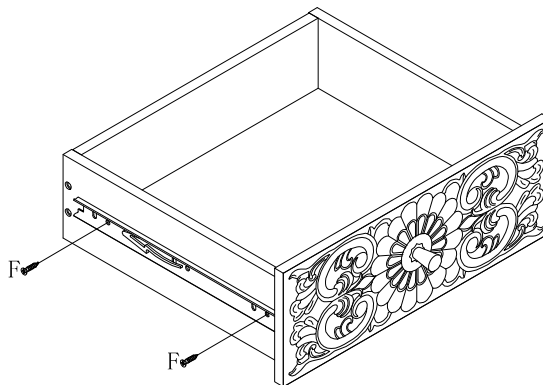


**x2**

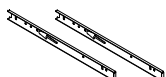
# STEP 12



The first screw hole should corresponded with the board location hole



No. E  
Quantity: 2 Sets  
10"

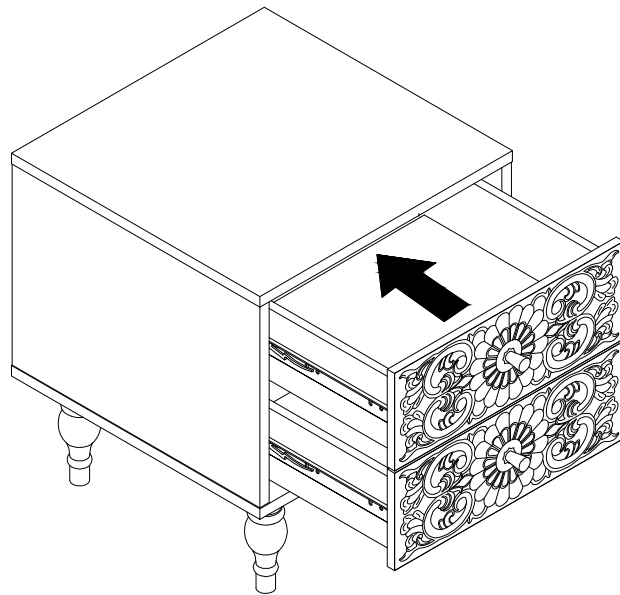


No. F  
Quantity: 8 Pcs  
M3.5\*12mm

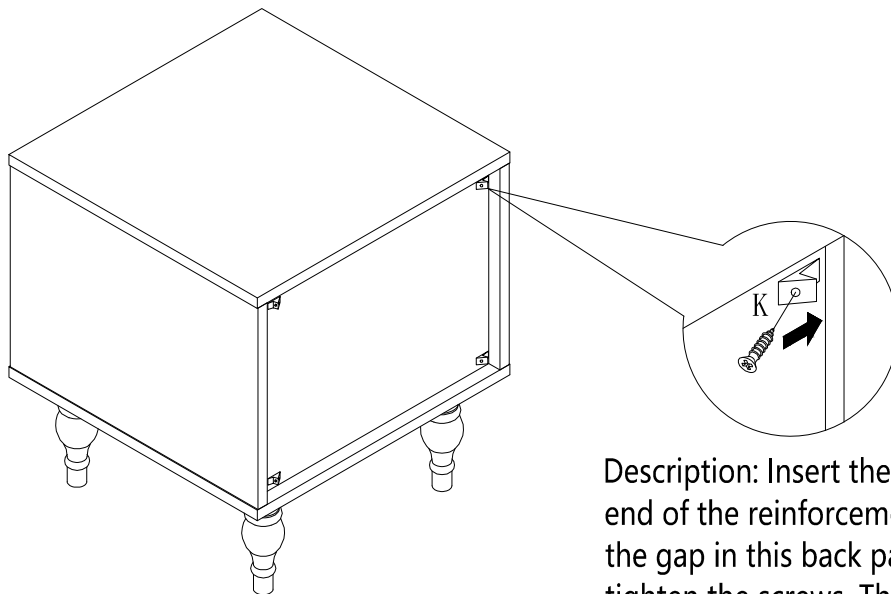


**x2**

## STEP 13

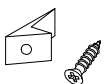


## STEP 14

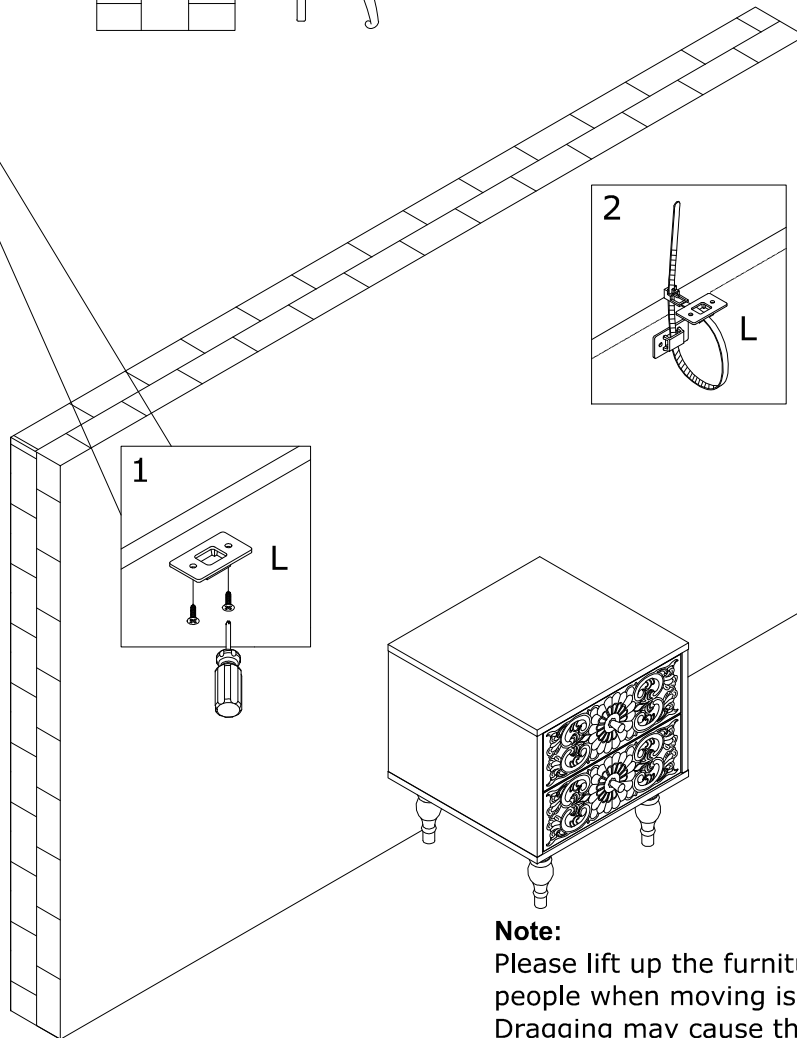
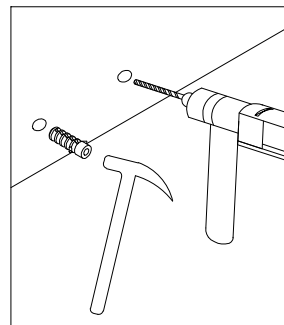
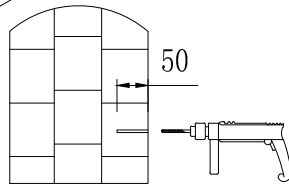
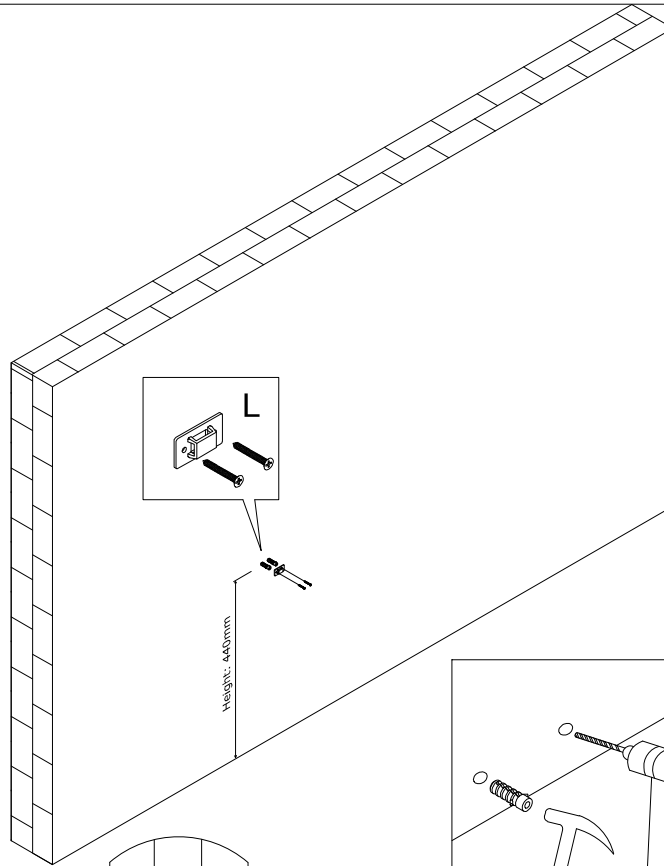
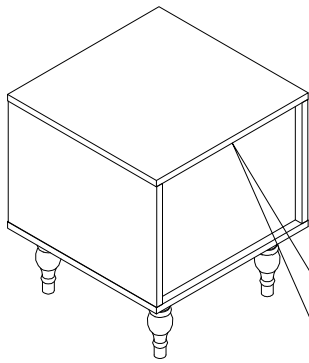


Description: Insert the thinner end of the reinforcement into the gap in this back panel, then tighten the screws. This will make the cabinet more stable.

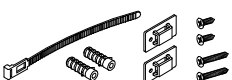
No. K  
Quantity: 4 Sets



# STEP 15



No. L  
Quantity: 1 Sets



**Note:**  
Please lift up the furniture by two people when moving is needed.  
Dragging may cause the legs failure.