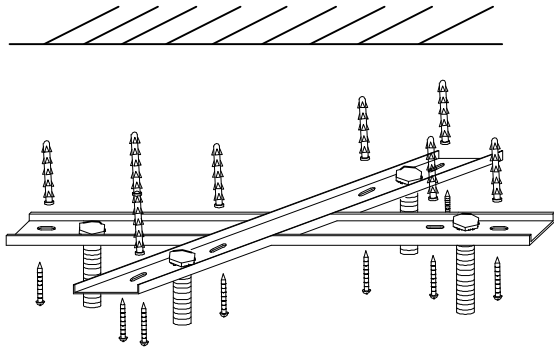


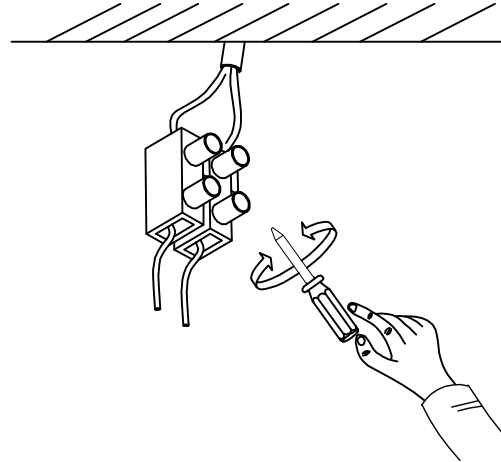
Products Installation

Ceiling Plat

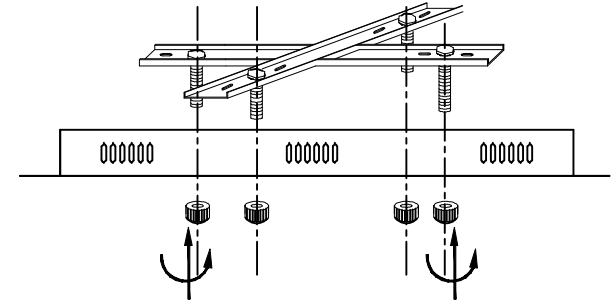


1. Fix the hanging panels to the ceiling.

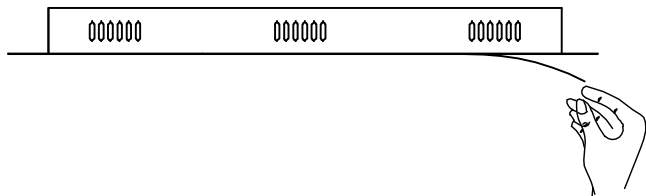
Ceiling Plat



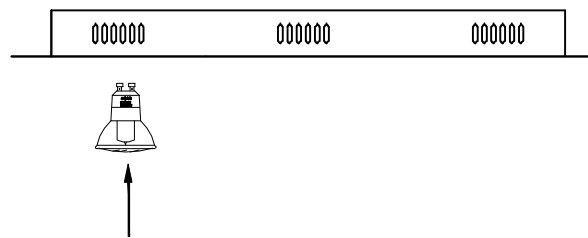
2. Connect the power line.



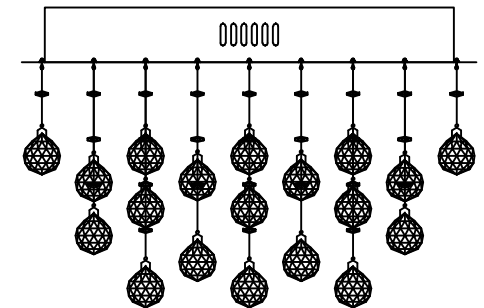
3. Fasten disc to the ceiling.



4. Peel off protective films.



5. Install the bulbs.



6. Hang the crystal ball.