

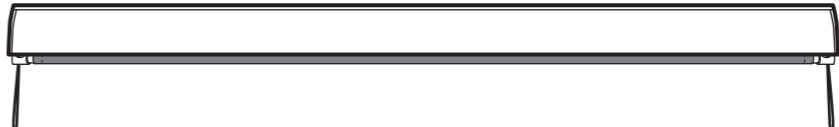
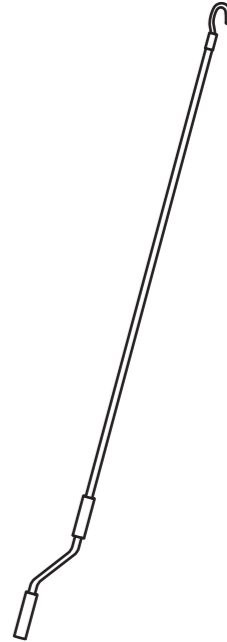
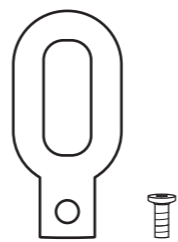
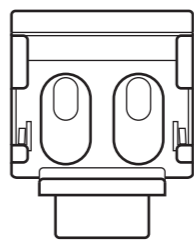
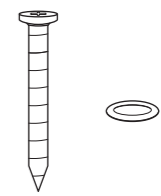
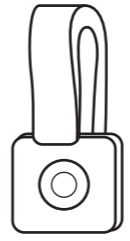
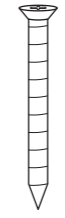

OWNER'S MANUAL

DROP DOWN AWNING

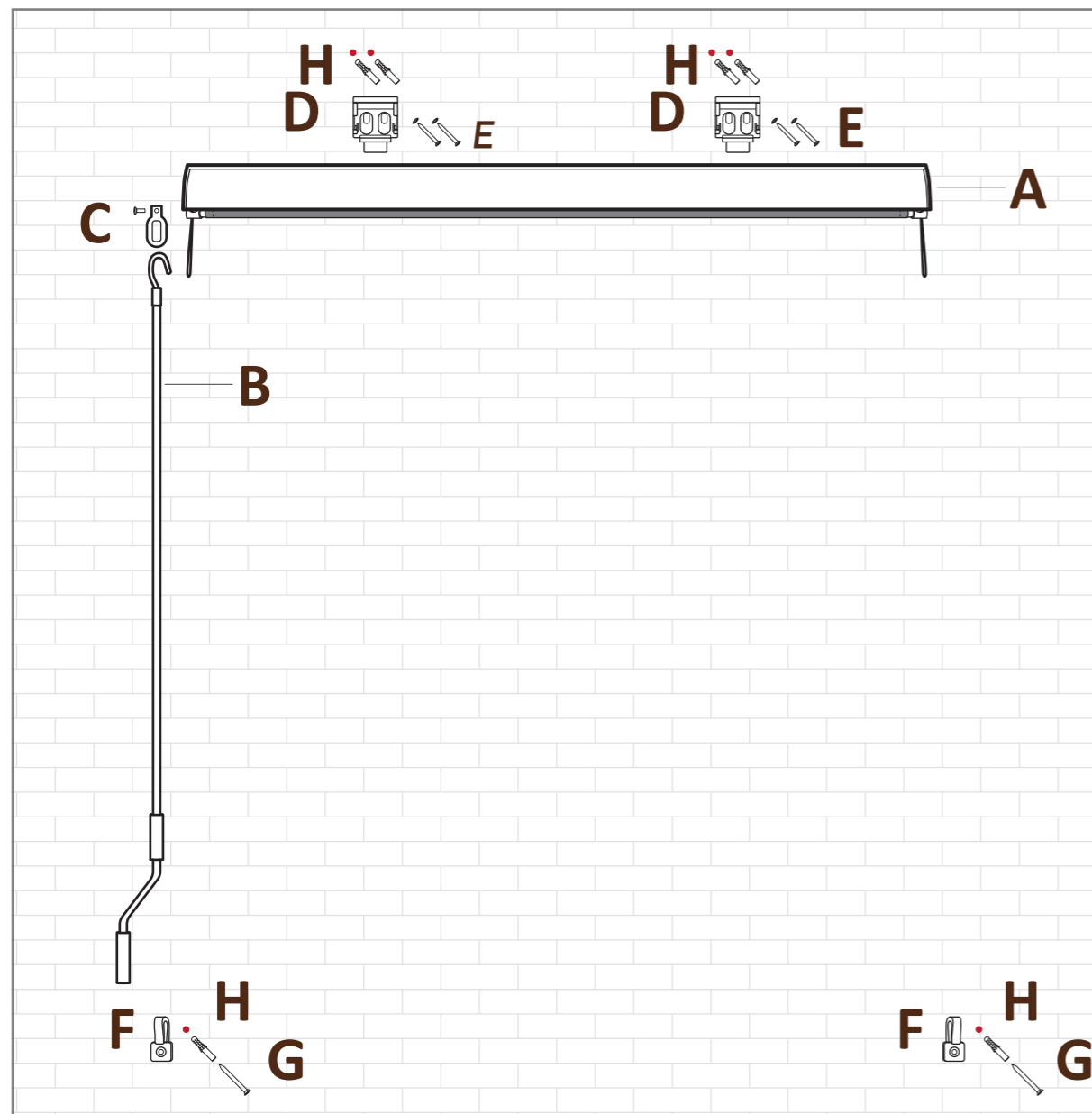
The company with the mission of "bringing more convenience to family and travel life", the vision of "becoming the first choice and trusted brand of customers in outdoor series", and the core value of "providing high-quality and high-standard outdoor products", awakens people pay attention to the outdoor garden life itself, extend the time to play with family and partners in the outdoor garden, and enjoy a healthier and more comfortable life.

Please read, understand, and follow this user manual before assembling and using. Save this manual for future reference. It's the responsibility of the user for potential risks of injuries due to inappropriate use not obeying safety instructions in this manual.

I. Part List

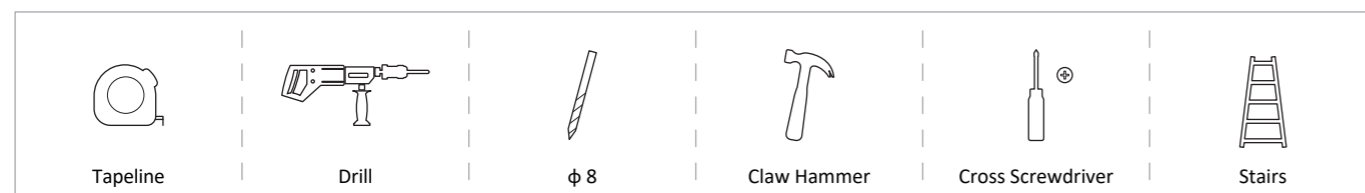
<p>A</p>  <p>Awning x1</p>	<p>B</p>  <p>Hand Crank x1</p>	
<p>C</p>  <p>Ring & Bolt x1</p>	<p>D</p>  <p>Brackets (4209 x2 / 4254 x3)</p>	<p>E</p>  <p>Screws (ST4.8x40mm) Nut Gasket (4209 x4 / 4254 x6) +1</p>
<p>F</p>  <p>Hooks x2</p>	<p>G</p>  <p>Screws (ST4.8x50mm) x2 +1</p>	<p>H</p>  <p>Plastic Expansion Plug (8x45mm) (4209 x6 / 4254 x8) +1</p>

II. Parts Exploded View



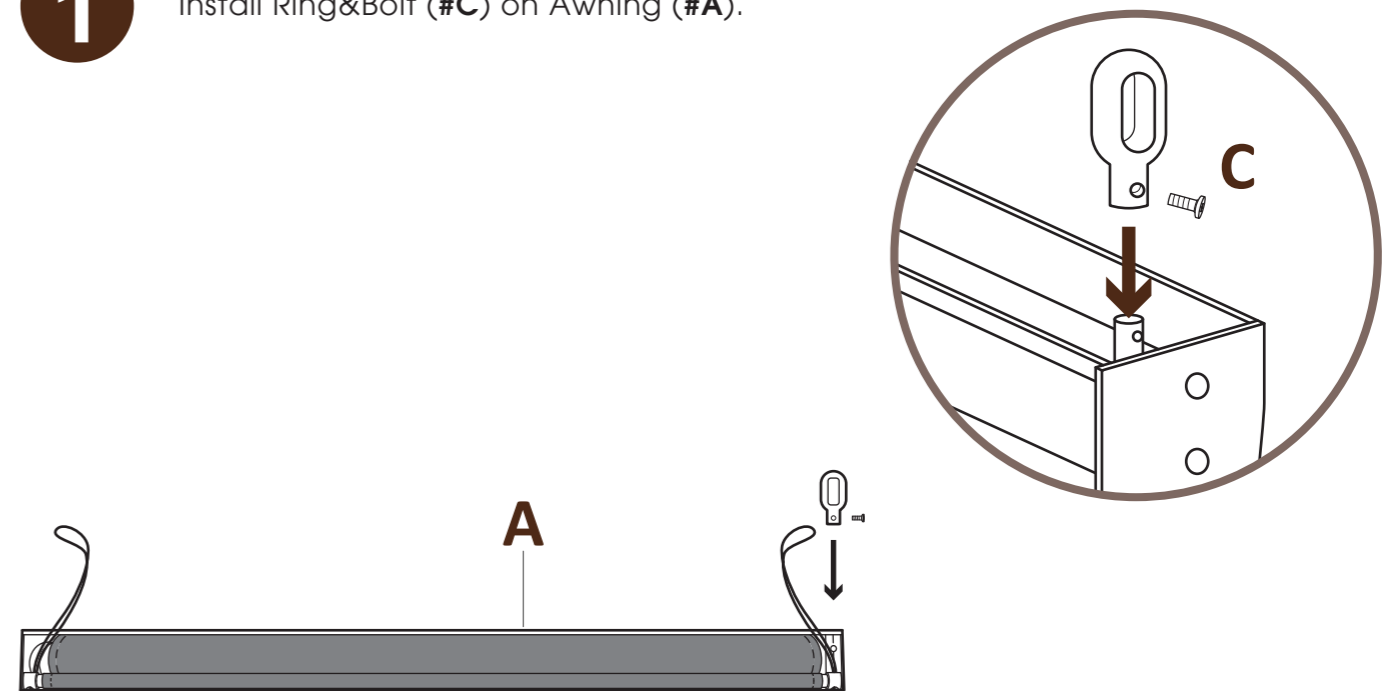
Preparation

- Before you start, check the condition and quantity of all parts according to the parts list.
- Please prepare all the necessary tools.

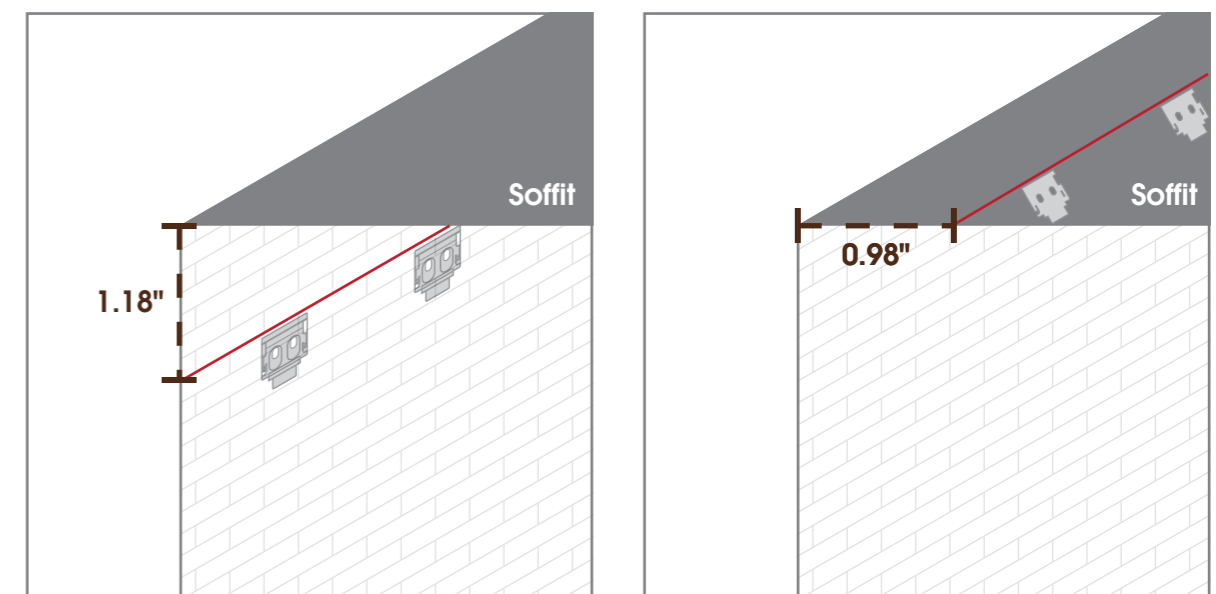


III. Assembly Steps

- 1 Install Ring&Bolt (#C) on Awning (#A).



- 2
 - (1). When the bracket is fixed on the back side of the awning, the bracket should be at least **1.18"** (30mm) away from the top wall.
 - (2). When the bracket is fixed on the top of the awning, the bracket should be at least **0.98"** (25mm) away from the rear side wall.

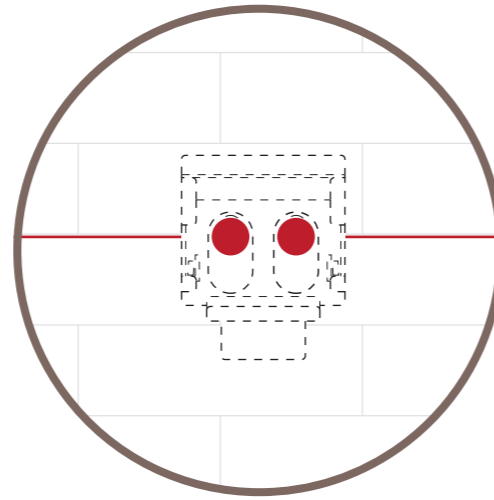


3

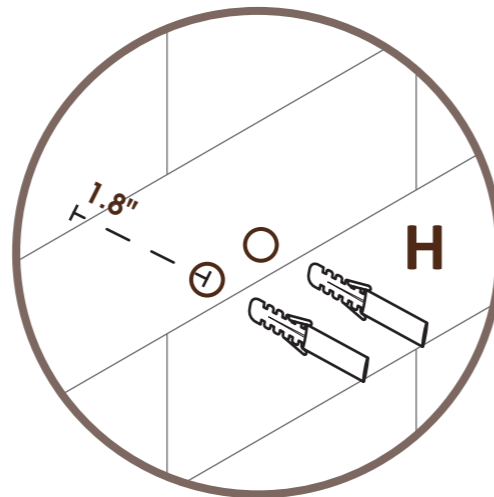
Fix the Brackets (#D).

Note: 4209 series has two wall brackets, 4254 series has three wall brackets.

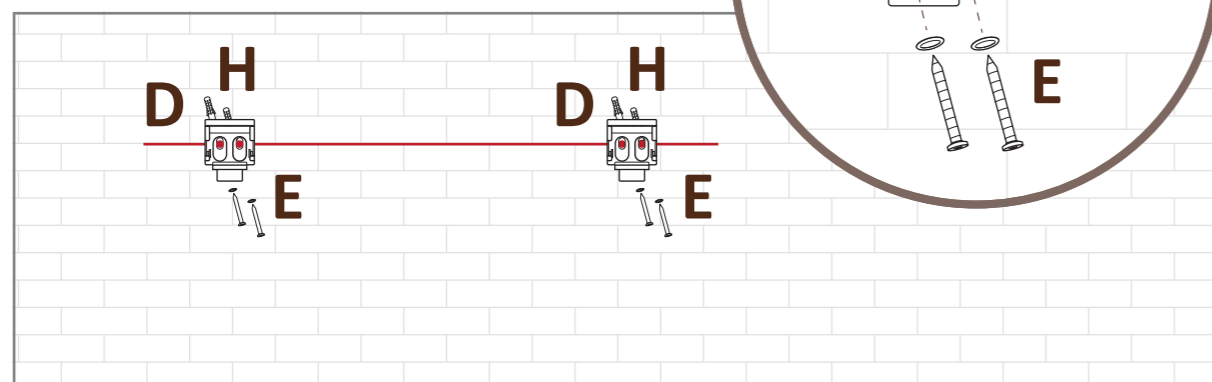
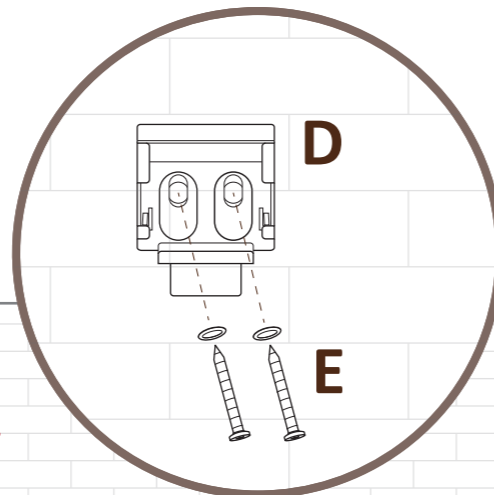
(1). Place (#D) on the wall and mark the location of the small holes.



(2). Drill a 1.8" (5cm) long hole in the wall with an 8mm diameter drill. Insert the (#H) into the hole.

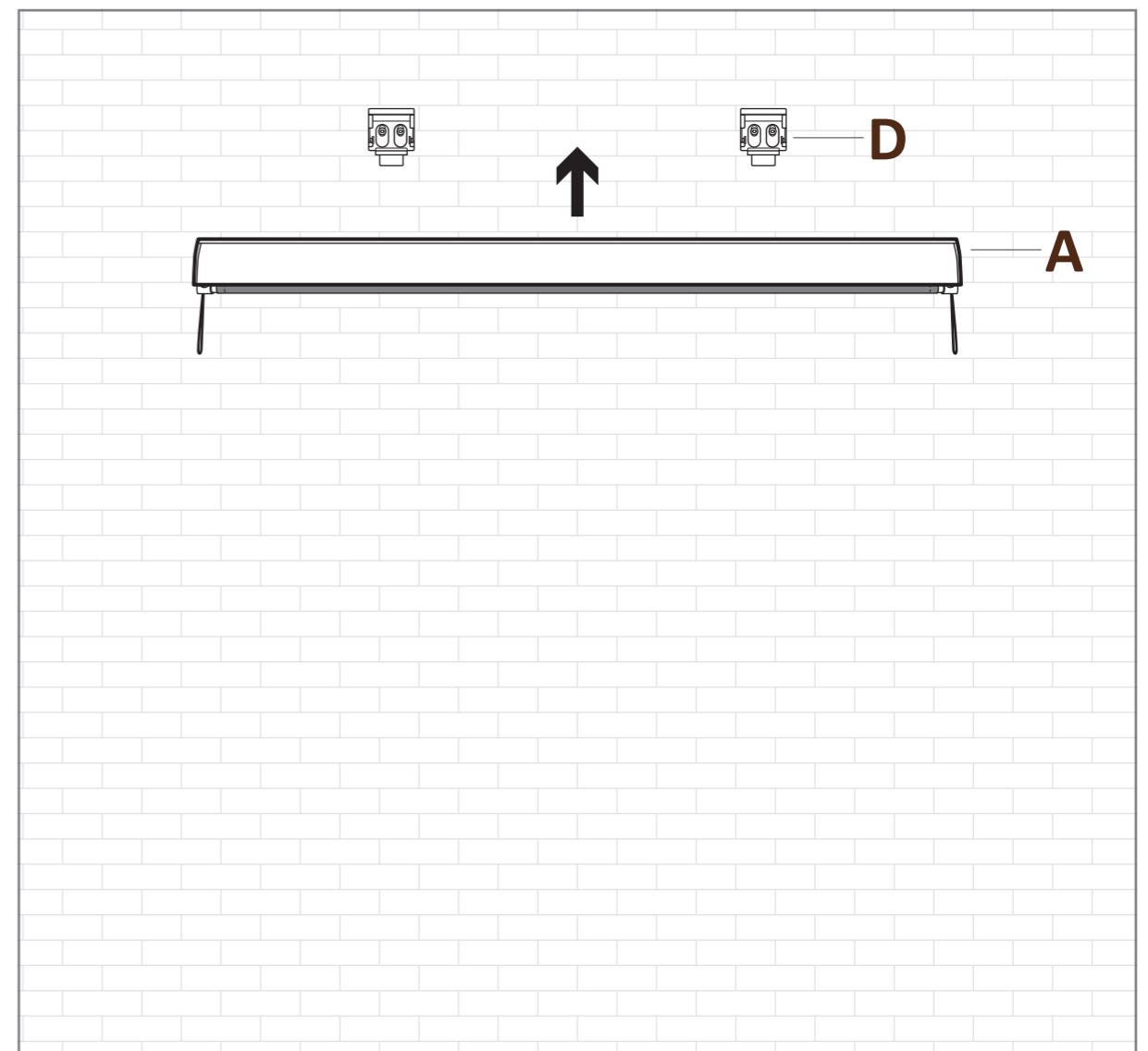
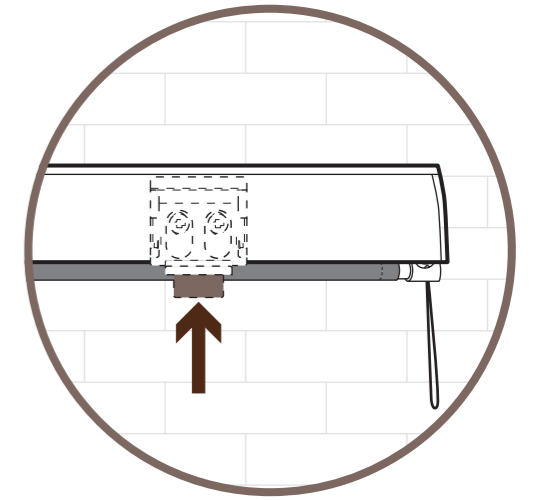


(3). Fix the Brackets (#D) with Screws and Nut Gasket (#E).

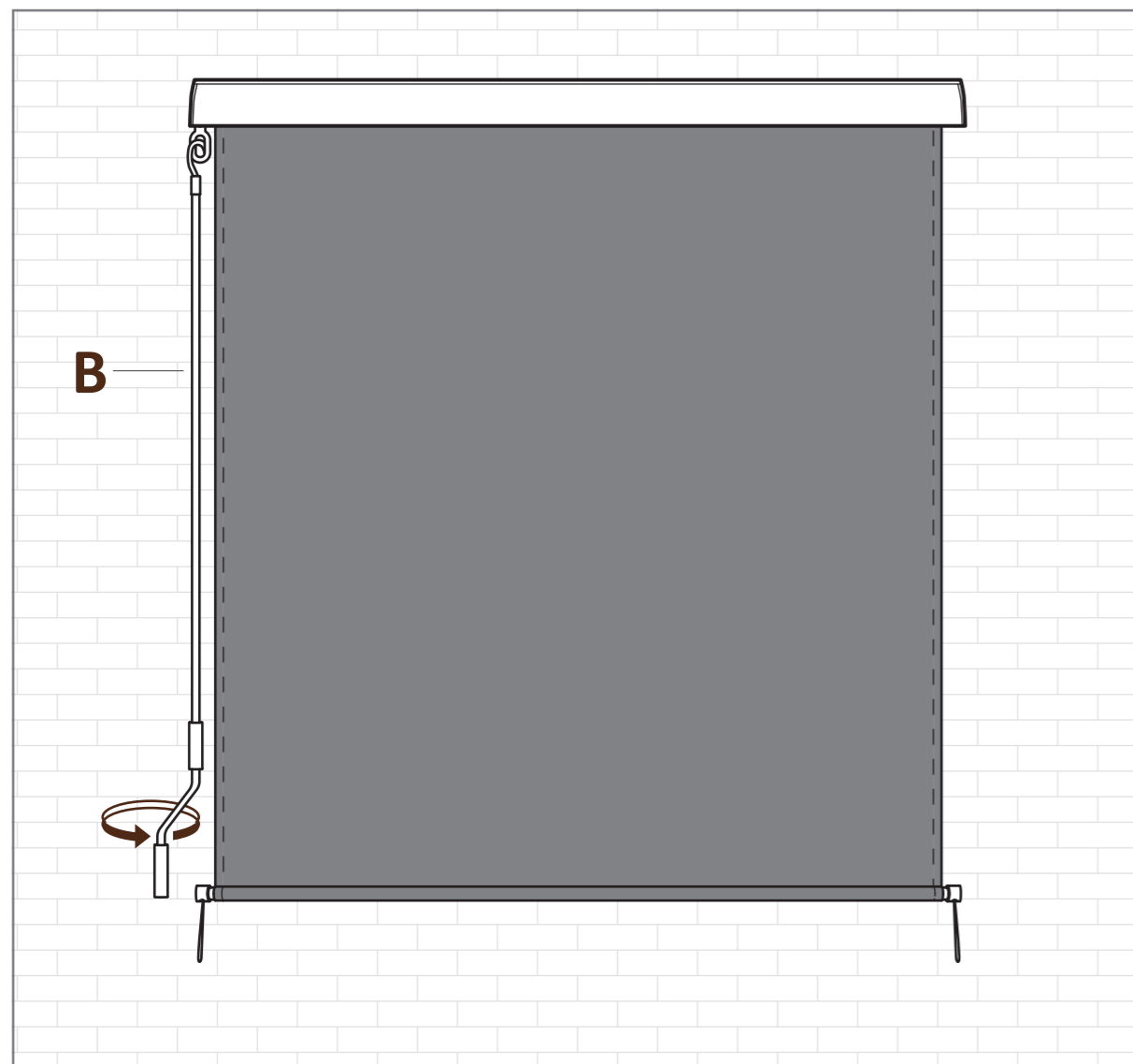
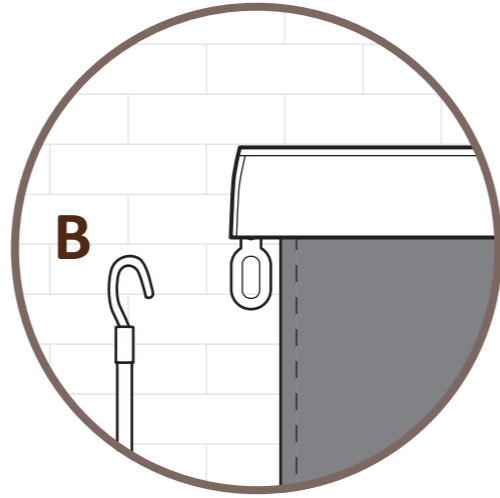


4

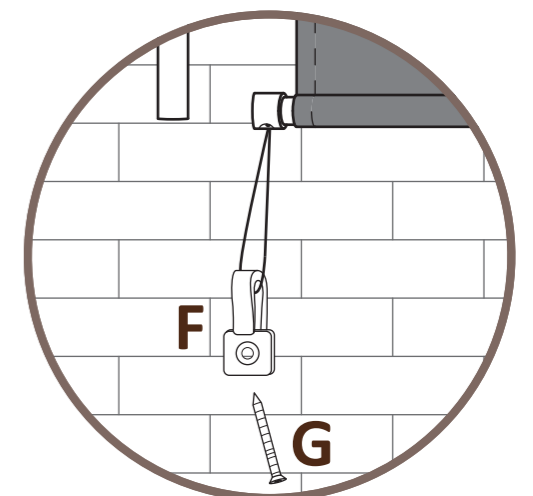
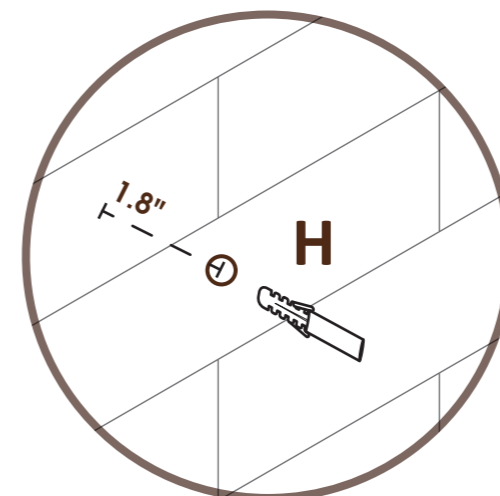
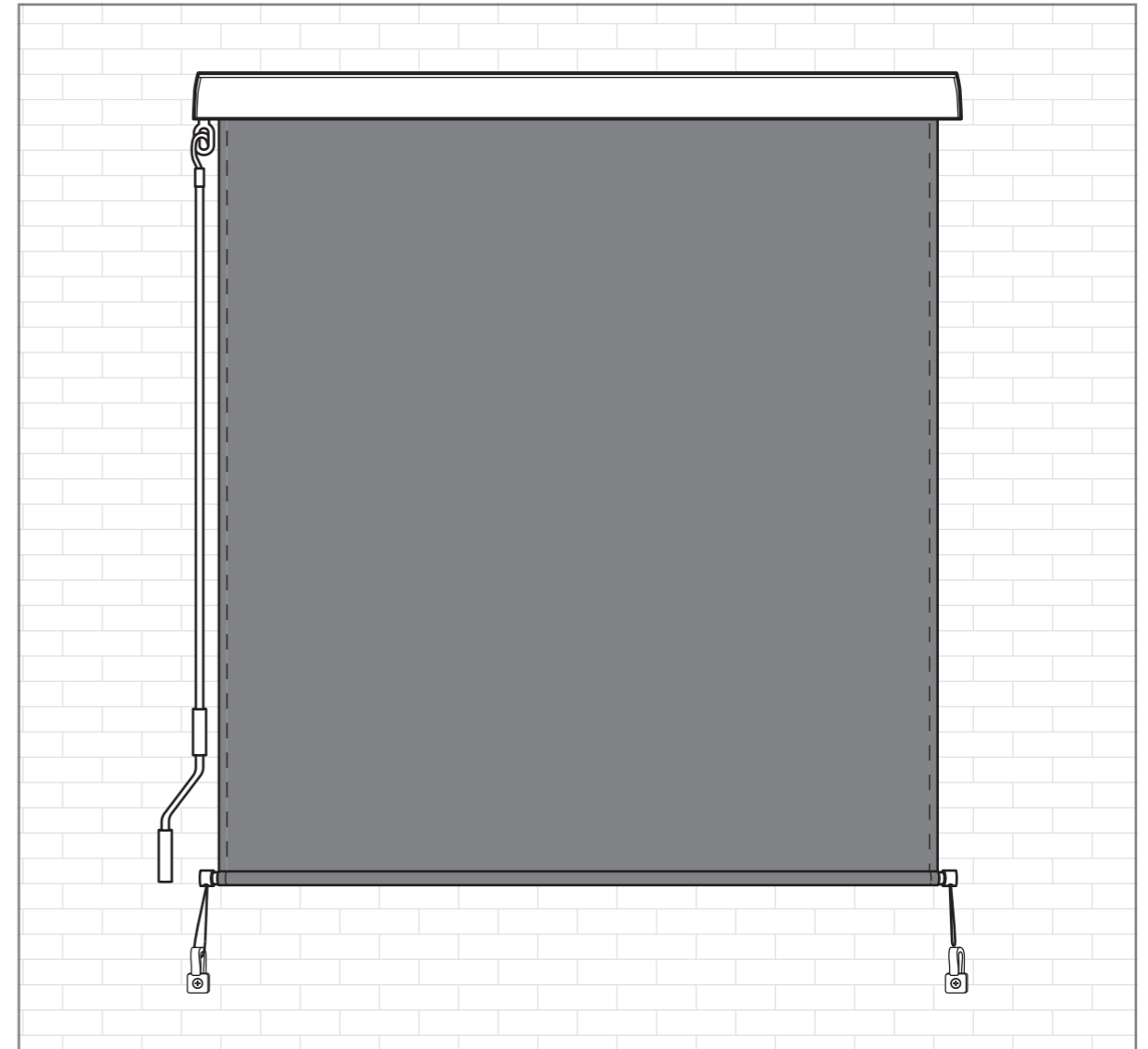
Fix the Awning (#A) on (#D).



5 Fix the Hand Crank (#B).



6 (1). Pull rope down by hook (#F) to a suitable position, mark the position and drill a 1.97" long hole there.
(2). Insert (#H) and fix (#F) with Screws (#G).



IV. Return / Replacement Policy

■ Notice

Why don't we recommend returning the item by yourself?

- Huge cost- UPS/FedEx oversize fee.
- Need you to take the box to UPS/FedEx facility.

We stand behind our products and want you to be satisfied with them. We'll always do our best to take care of customers, and that's why we offer a straightforward, hassle-free return policy.

Return Process

You have 30 days from the date of purchase to return any item purchased from our store. Please securely pack the item in its original packaging, including any accessories or manuals that came with the product. To initiate a return, please contact our customer service team for any help.

Return Conditions

We accept the return of items that are in new, unused condition, with original tags attached and all original packaging and other components included. Refunds will be issued in the original form of payment for the price of the item, including taxes.

V. Customer Support

If for any reason, we have fallen short of your expectations, or if you have any questions and suggests, please refer to the following contact information, we will do our best to work with you to make sure you are entirely satisfied.

VI. Warranty Disclaimer

Thank you for your interest in the products and services.

This Limited Warranty applies to physical goods, and only for physical goods,purchased.

What does this limited warranty cover?

This Limited Warranty covers any defects in material or workmanship under normal use during the Warranty Period.

During the Warranty Period, we will repair or replace, at no charge, products or parts of a product that proves defective because of improper material or workmanship,under normal use and maintenance.

How long does the coverage last?

The Warranty Period of Physical Goods purchased from refers to the table below.

A replacement Physical Good or part assumes the remaining warranty of the original Physical Good or 180 days from the date of replacement or repair, whichever is longer.

Awning Frame	★ 1 Year
Awning Fabric	★ 6 Months

This Limited Warranty does not cover any problem that is caused by:

Conditions, malfunctions, or damage not resulting from defects in matetial or workmanship.

To obtain warranty service, you can contact us to determine the issue and the appropriate solution for you. Before this you can take some photos of your product and send them to us, so that we can reply to you more quickly and accurately.