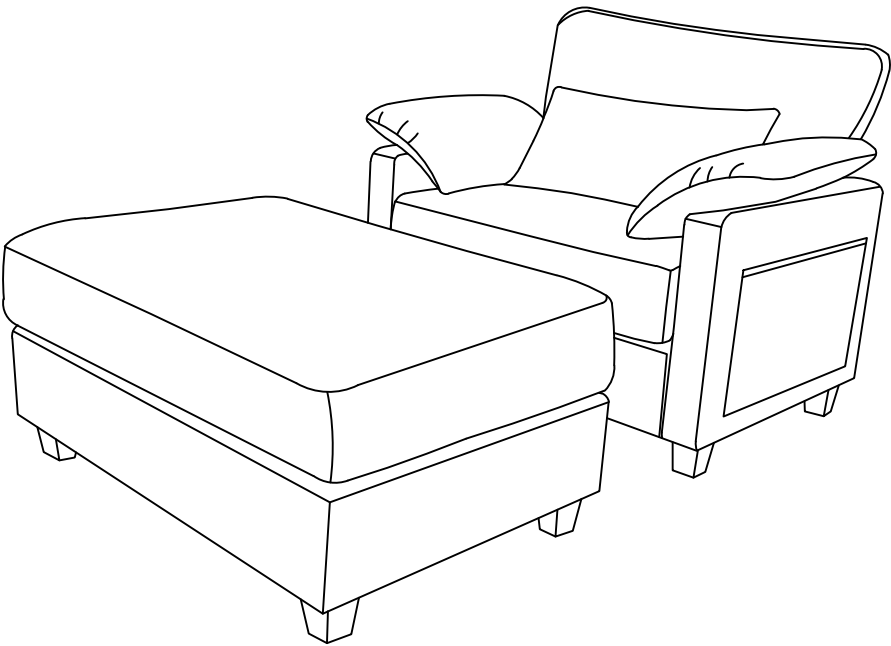
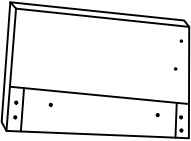
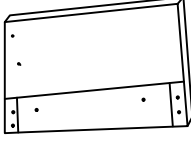
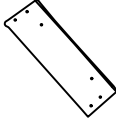
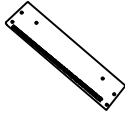
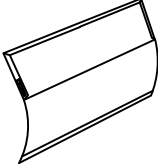
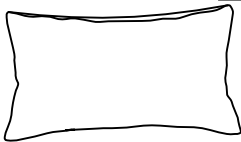
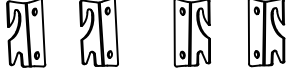
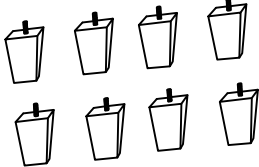
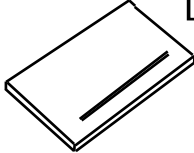
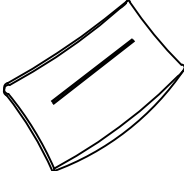
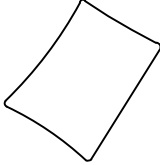
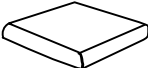
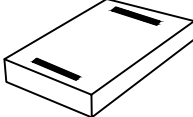
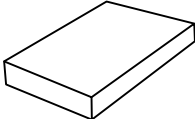
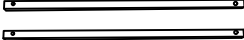
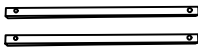
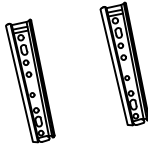
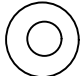

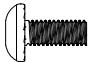
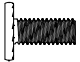

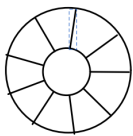


Assemble Instructions

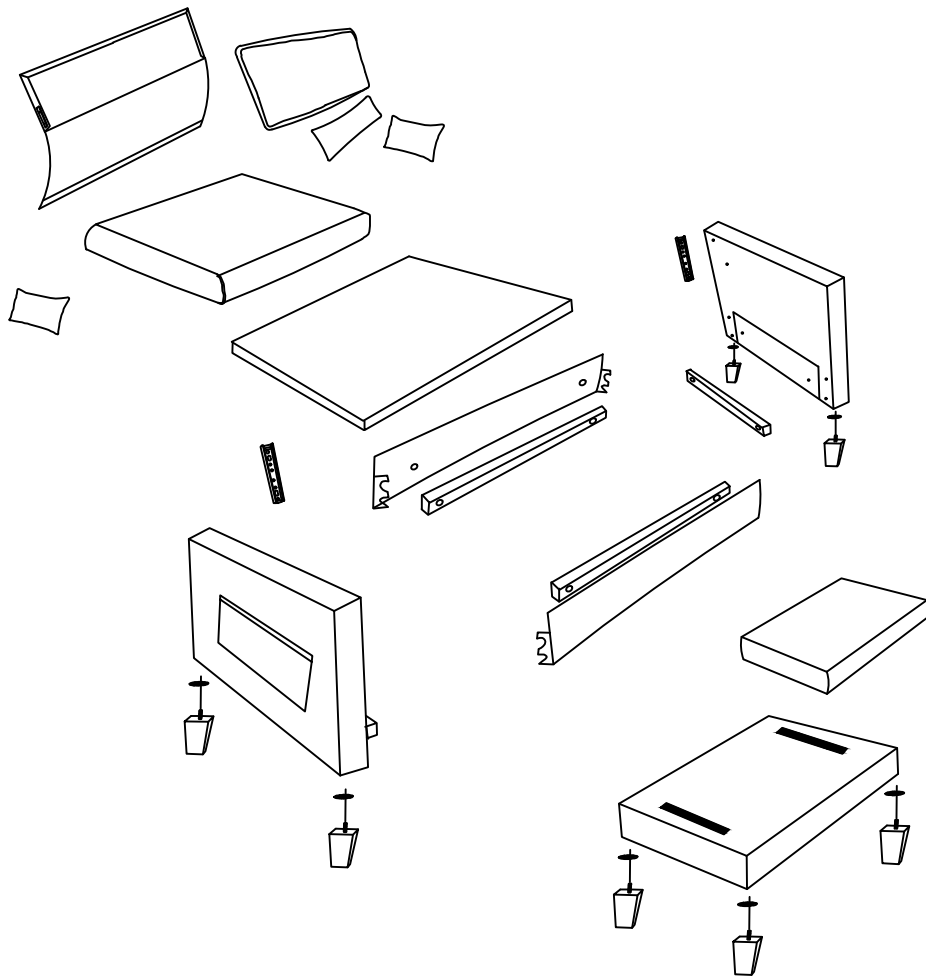


PART LIST

 1PC	 1PC	 1PC	 1PC
Left Armrest	Right Armrest	Front plate	Back plate
 1PC	 1PC	 4PCS	
Backrest	Lumbar Pillow	Iron Pieces	
 8PCS	 1PC	 1PC	 2PCS
Feet	Frame	Back cushion	Armrest bag
 1PC	 1PC	 1PC	 2PCS
Backrest bag	Footstool frame	Footstool Cushion	Long Rod
 2PCS	 2PCS	 24PCS	 1PC
Short Rod	Armrest inserts	Gasket	Allen Key M6(1PC)
 8PCS	 4PCS	 16PCS	 8PCS
Screw M6*16	Screw M6*20	Screw M6*35	Plastic Gaskets

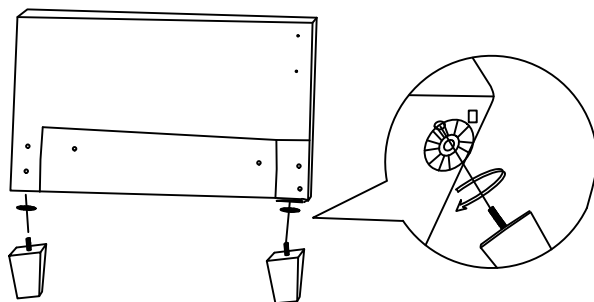
Note: The screws are in 1:1 ratio and can be placed here for comparison.

DISASSEMBLY DIAGRAM



STEP1 Screw the sofa feet with plastic washers into the Left/Right sofa armrests, tighten them up to 100%.

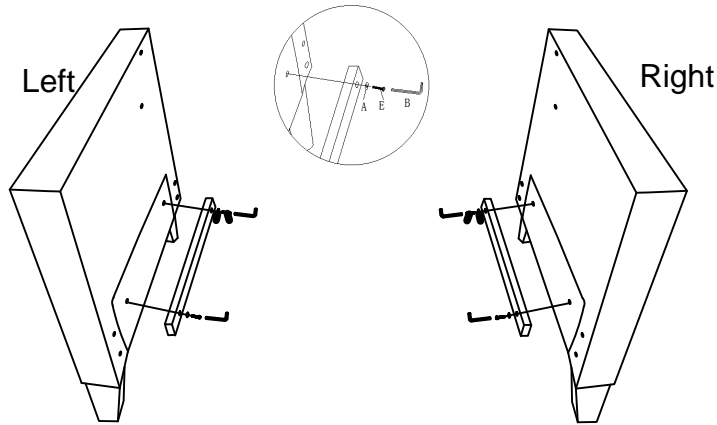
	1
	1
	4
	4



STEP2

		1
		1
		2
E		4
A		4
B		1

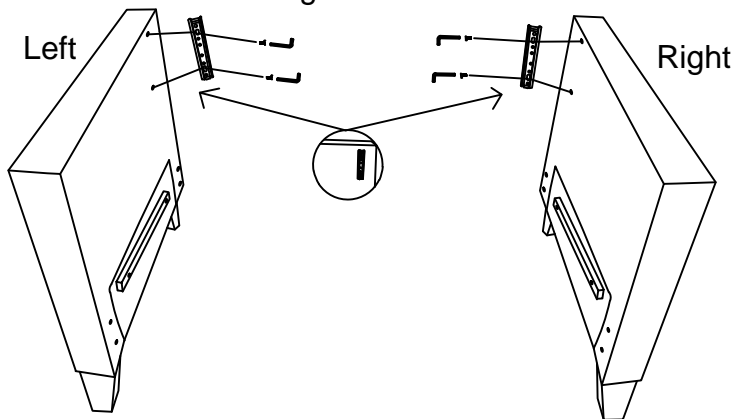
First align the short rod with the holes in the armrests the screw the screws (E)and Washer (#A)into the armrests of the sofa using a allen key (B).



STEP3

		1
		1
		2
D		4
B		1

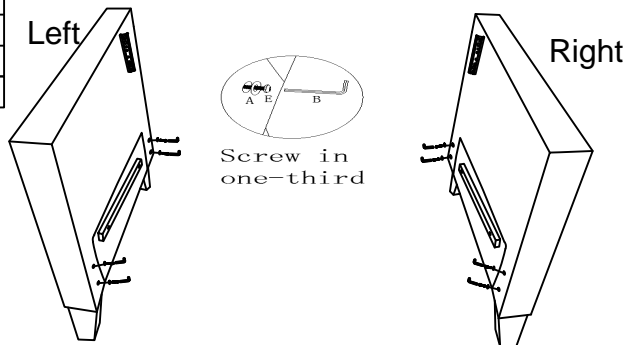
As shown in the figure, assemble the metal insert on both sides behind the armrest with screw (D) and allen key (B), Pay attention to assembling the insert with the big end facing up and the small end facing down.



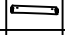
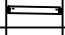
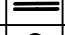
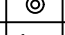


STEP4

		1
		1
A		8
E		8
B		1

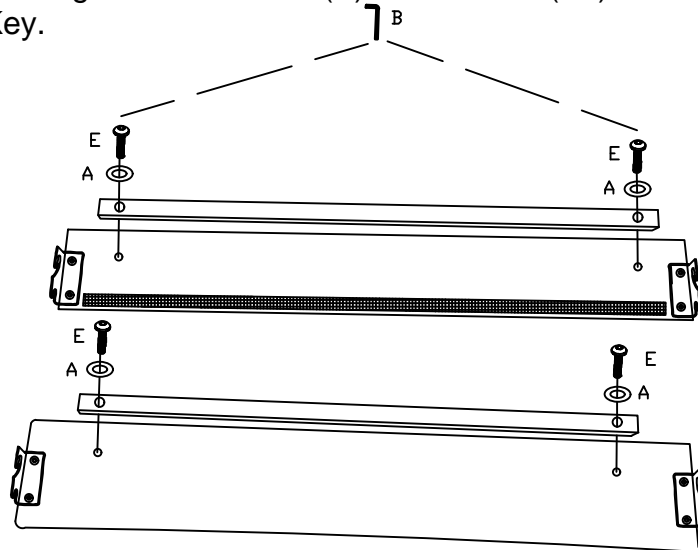
Screw the screws (E) and washer (#A) into the armrests of the sofa with allen B, tighten them up to **30%-40%**.



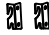

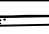
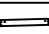

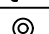
STEP5

		1
		1
		2
A		4
E		4
B		1

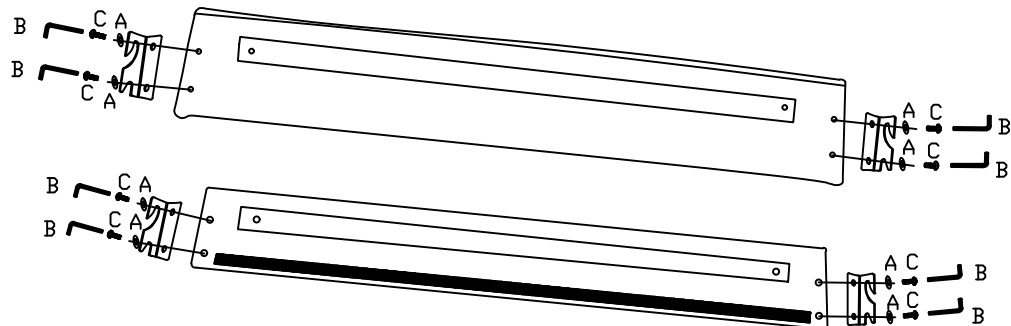
Align the long rod with the holes in the front plate and back plate, then tighten the screws (E) and washer (#A) with Allen Key.




STEP6

		4
		1
		1
C		8
A		8
B		1

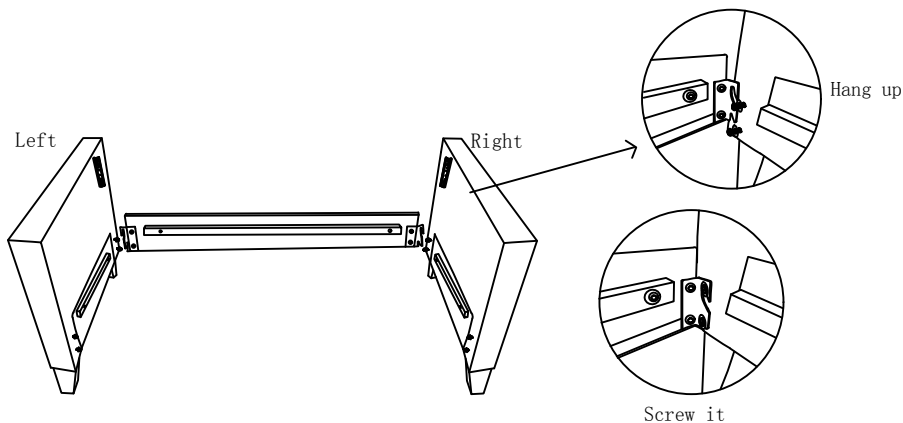
As shown in the figure, first align the connecting iron piece with the holes front/back plate. Tighten the screw (C) with washer (#A) and Allen Key.



STEP7

		1
--	---	---

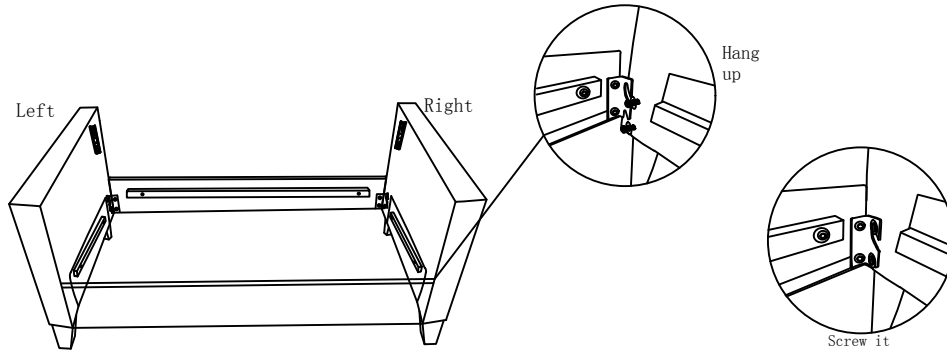
Insert the assembled front and back plates into the screw in **30%-40%** of the armrests screws. After align, tighten all the screws up to **100%**.



STEP8



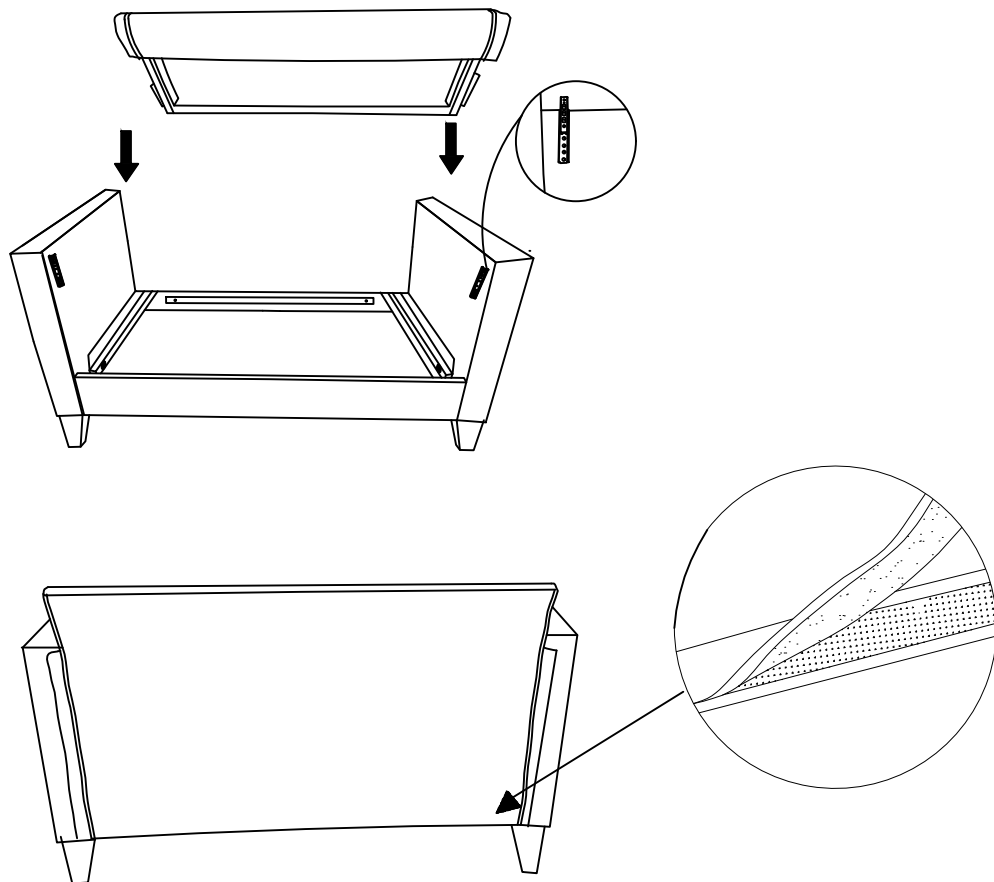
Snap the completed assembled B-1 from step 5 onto the handrail locking into one third of the screws as shown, and lock it in place.



STEP9

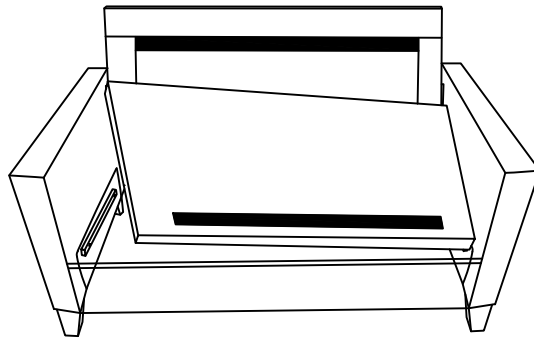
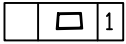


As shown in the figure, connect the backrest frame and the assembled seat frame bracket with the metal insert. Note that when connecting the insert, both sides should be inserted horizontally downward.



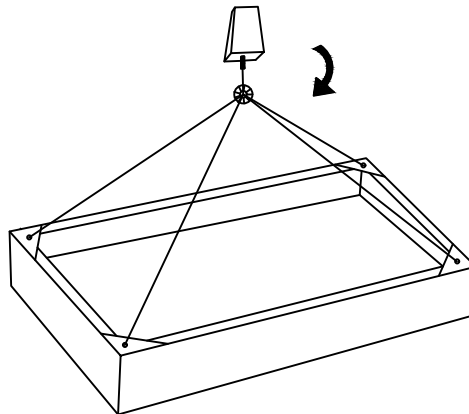
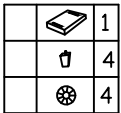
STEP10

Put on the seat frame.



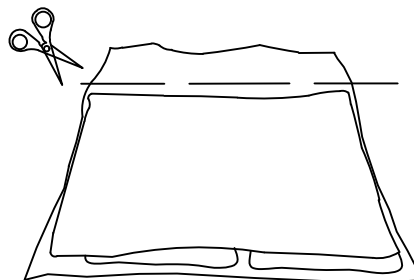
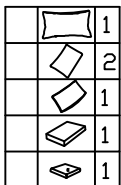
STEP11

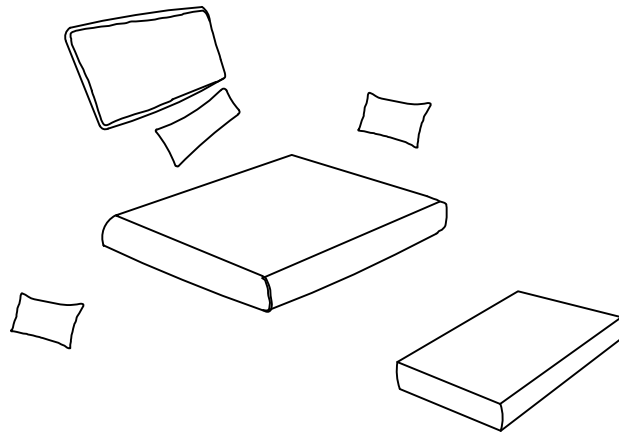
Use plastic gasket F to tighten the legs to the bottom of the footstool.



STEP12

Open all vacuum-packed cushions, pillows and others things.
Adjust them to their original state by hand.

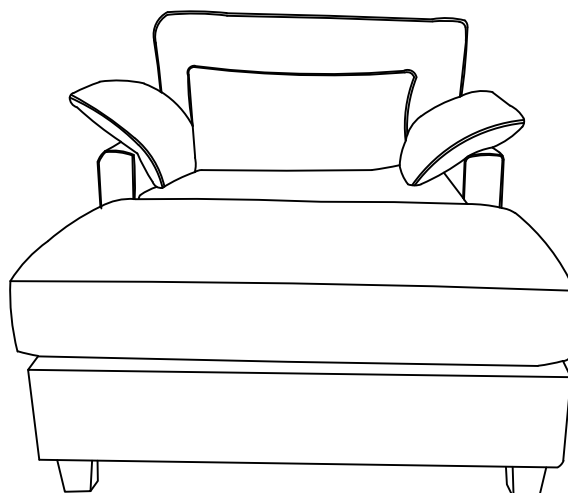
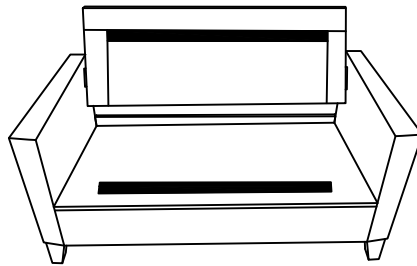


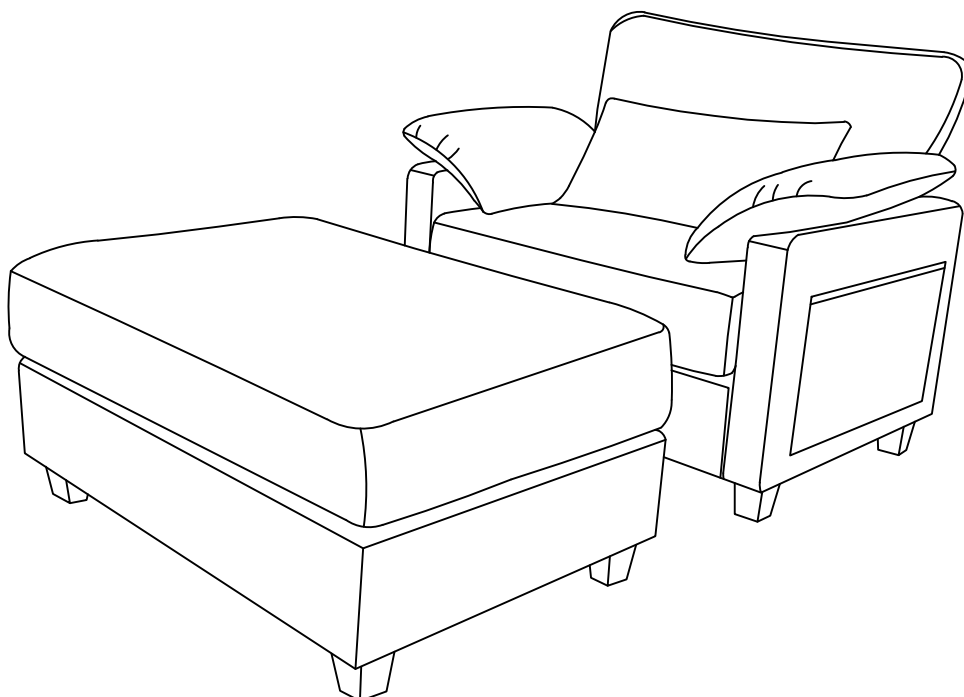


STEP13

According to the diagram, place the seat cushion and pillows, armrest cushion on the sofa and firmly fix them to the sofa body with the Velcro fasteners on the seat. If the fabric has wrinkles, please wait for 72 hours for the cushion to fully rebound.

	1
	2
	1
	1





FAQ

Q1:Missing parts or some parts damaged when received.

A1:If you find some parts are missing or damaged from the box,please kindly send us messages to let us know the name of missing part regarding of the parts list of the instuction,we will send you the replacement and offer you the best solution asap.

Q2: Assemble Diffcultly

A2:If there are any problems during the installation process, you can take photos and send them to us, and we will reply promptly. There are also installation videos on our page that you can view online.

Q3:Return Policy.

A3:Before returning the item, please contact us about return issue,please make sure that the box packaging is complete,the product is not damaged, stained and not affecting secondary sales. Return product that do not use the original packaging maybe rejected, and the pictures may be requested to offer.