

---

---

# Storage Cabinet D

## User Manual

---

---

## INTRODUCTION

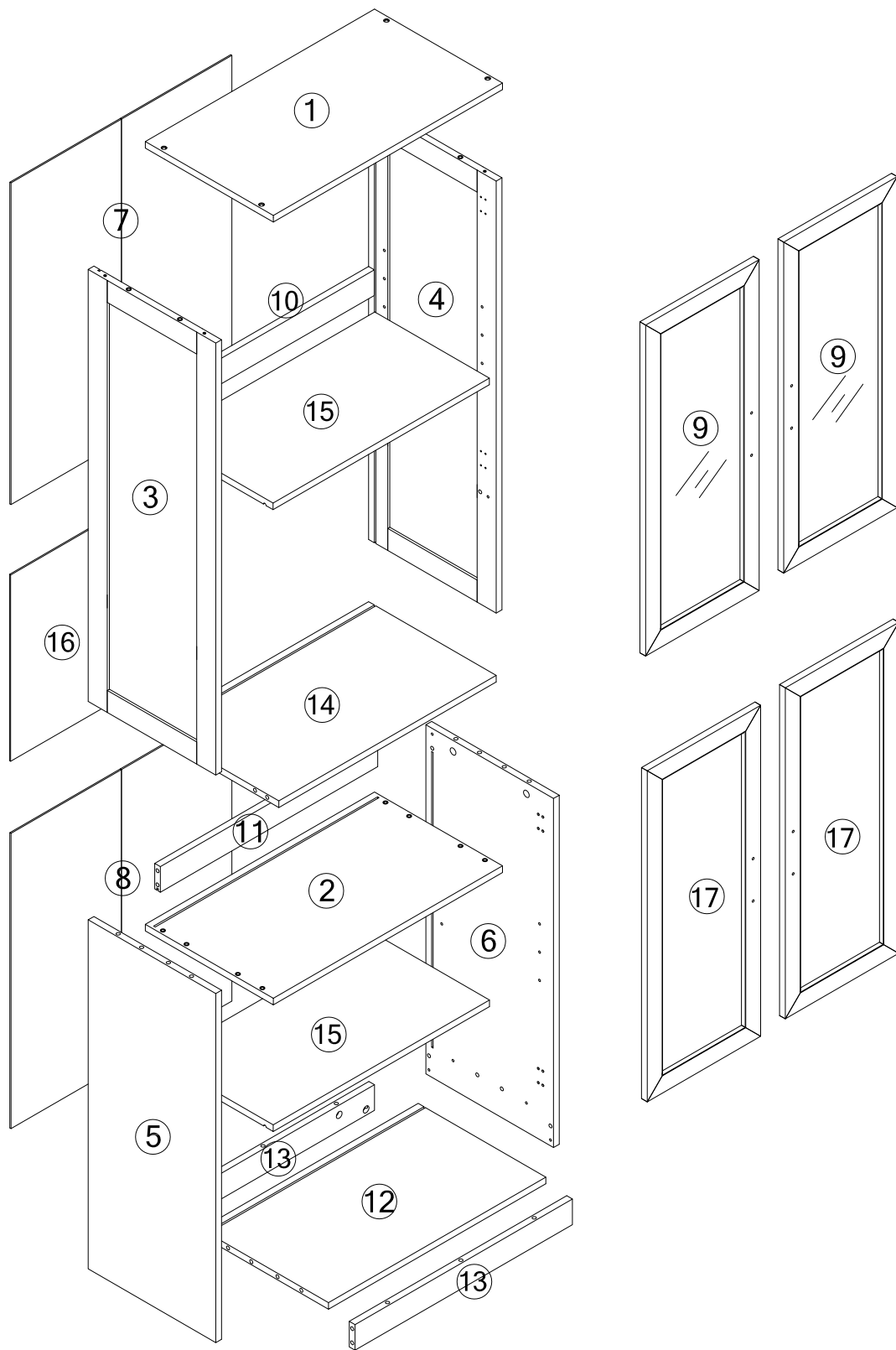
Thank you for purchasing our products. Committed to providing customers with the best quality products and service has always been our lifelong goal. Before using the product, please read this instruction manual carefully to ensure correct use. Keep the instruction manual in a place where the user can find it at any time.

## PRECAUTIONS

1. There are many components and accessories in the package. Each component and accessory is labeled with a letter or a number, check carefully before using any of them. Keep them away from children to prevent accidents.  
Please install the product on a clean and soft underlay (such as carpet or cardboard) to avoid scratching or damaging the surface of the product.
2. prevent accidents.
3. The main components of the product is relatively heavy. Please pay attention to safety during installation.
4. The product is not stable during installation. Please do not move it randomly before it is completely installed.
5. If you have any questions during installation, please contact the customer service in time.

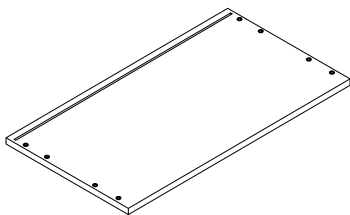
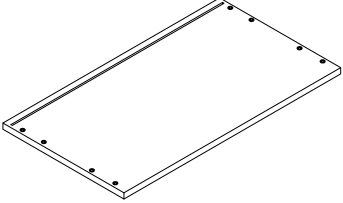
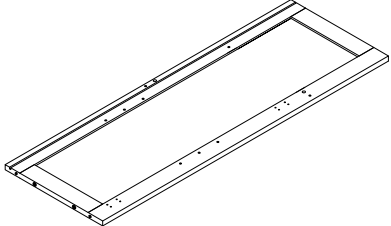
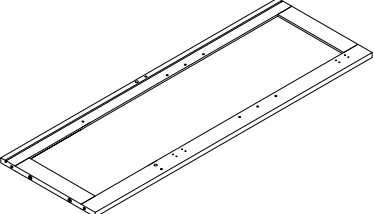
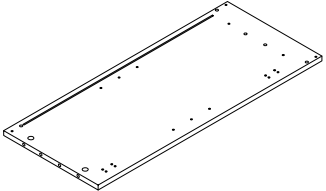
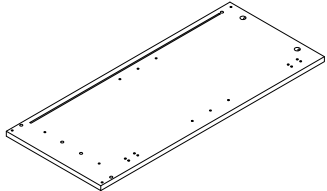
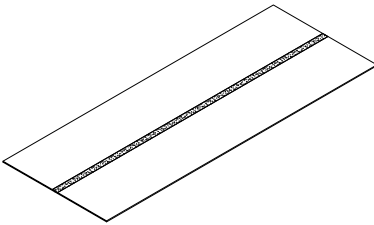
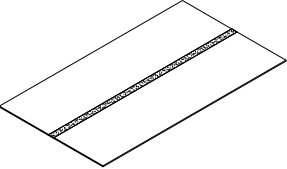
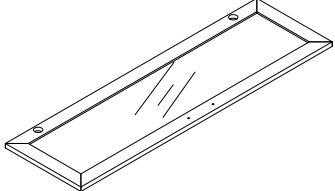
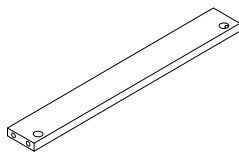
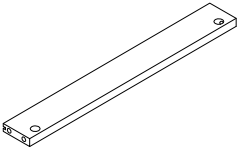
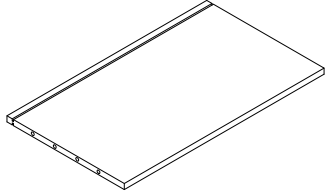
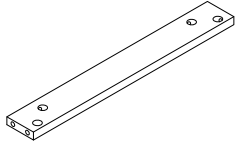
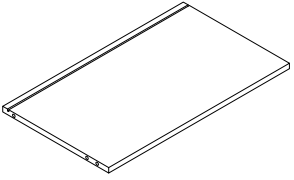
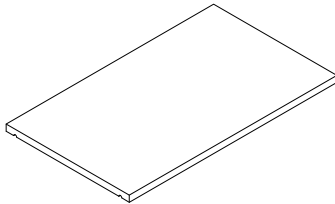
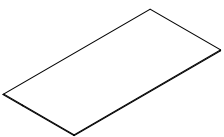
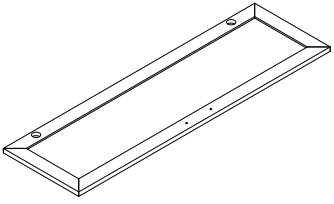
\*PLEASE BE SURE TO FOLLOW THE INSTALLATION STEPS IN THE MANUAL TO AVOID UNNECESSARY LOSSES CAUSED BY IMPROPER INSTALLATION.

\*IF YOU NEED FUTHER ASSIATANCE,PLEASE CONTACT THE CUSTOMER SERVICE ONLINE.

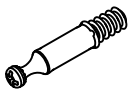


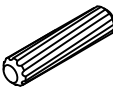


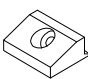

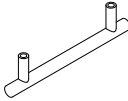
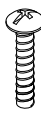
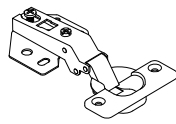
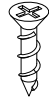


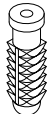
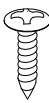
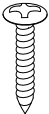
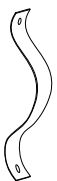


# PARTS LIST

Unit(mm)

<p>① 600*335*15</p>  <p>x1</p>	<p>② 600*335*15</p>  <p>x1</p>	<p>③ 979*334*15</p>  <p>x1</p>
<p>④ 979*334*15</p>  <p>x1</p>	<p>⑤ 791*334*15</p>  <p>x1</p>	<p>⑥ 791*334*15</p>  <p>x1</p>
<p>⑦ 729*289*3</p>  <p>x2</p>	<p>⑧ 669*289*3</p>  <p>x2</p>	<p>⑨ 750*297*15</p>  <p>x2</p>
<p>⑩ 569*58*15</p>  <p>x1</p>	<p>⑪ 569*58*15</p>  <p>x1</p>	<p>⑫ 569*334*15</p>  <p>x1</p>
<p>⑬ 569*58*15</p>  <p>x2</p>	<p>⑭ 569*334*15</p>  <p>x1</p>	<p>⑮ 566*300*12</p>  <p>x2</p>
<p>⑯ 578*253*3</p>  <p>x1</p>	<p>⑰ 750*297*15</p>  <p>x2</p>	

# HARDWARES LIST

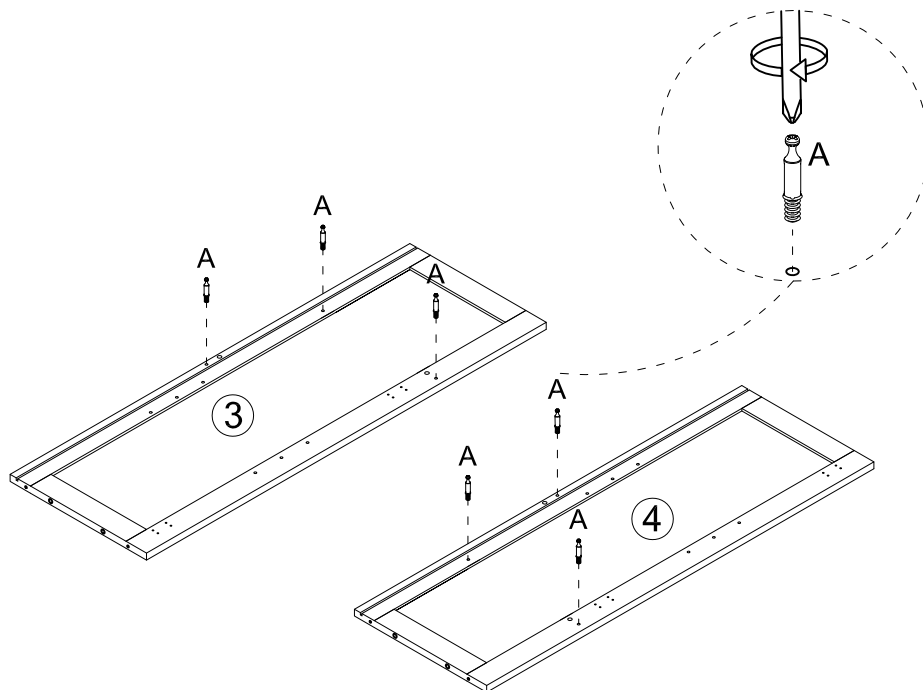
<p>A <math>\varnothing 5 \times 25 \text{mm}</math></p>  <p>x24 pcs</p>	<p>B <math>\varnothing 15 \times 11 \text{mm}</math></p>  <p>x24 pcs</p>	<p>C <math>\varnothing 23 \text{mm}</math></p>  <p>x24 pcs</p>	<p>D <math>\varnothing 8 \times 30 \text{mm}</math></p>  <p>x28 pcs</p>	<p>E <math>\varnothing 5 \times 16 \text{mm}</math></p>  <p>x8 pcs</p>	<p>F <math>\varnothing 6 \times 50 \text{mm}</math></p>  <p>x8 pcs</p>
<p>G <math>16 \times 16 \times 10.5 \text{mm}</math></p>  <p>x18 pcs</p>	<p>H <math>\varnothing 3 \times 17 \text{mm}</math></p>  <p>x18 pcs</p>	<p>J <math>128 \times 12 \times 38 \text{mm}</math></p>  <p>x4 pcs</p>	<p>K <math>5/32" \times 22 \text{mm}</math></p>  <p>x8 pcs</p>	<p>M Buffered straight arm door hinge (outer cover)</p>  <p>x8 pcs</p>	<p>N <math>\varnothing 3.5 \times 14 \text{mm}</math></p>  <p>x48 pcs</p>
<p>O M4</p>  <p>x1 pcs</p>	<p>P 10g</p>  <p>x1 pc</p>	<p>Q <math>\varnothing 8.5 \times 30</math></p>  <p>x2 pc</p>	<p>R <math>\varnothing 4 \times 18</math></p>  <p>x2 pc</p>	<p>S <math>\varnothing 4 \times 25</math></p>  <p>x2 pc</p>	<p>T <math>140 \times 25</math></p>  <p>x2 pc</p>

# INSTALLATION STEPS

## 1

YOU WILL NEED

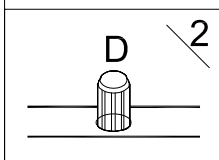
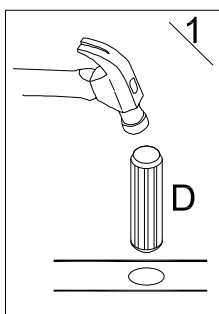
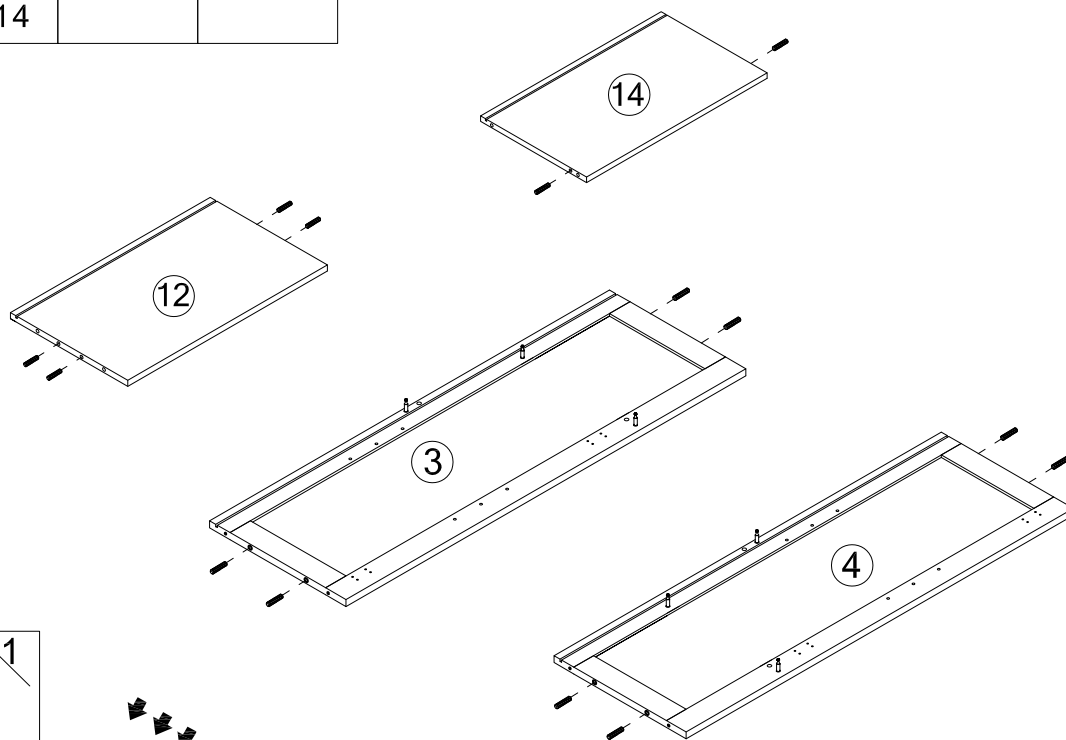
Ax6



## 2

YOU WILL NEED

Dx14

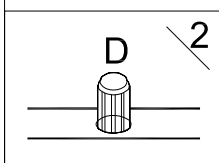
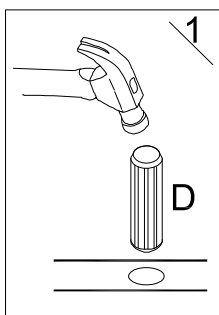
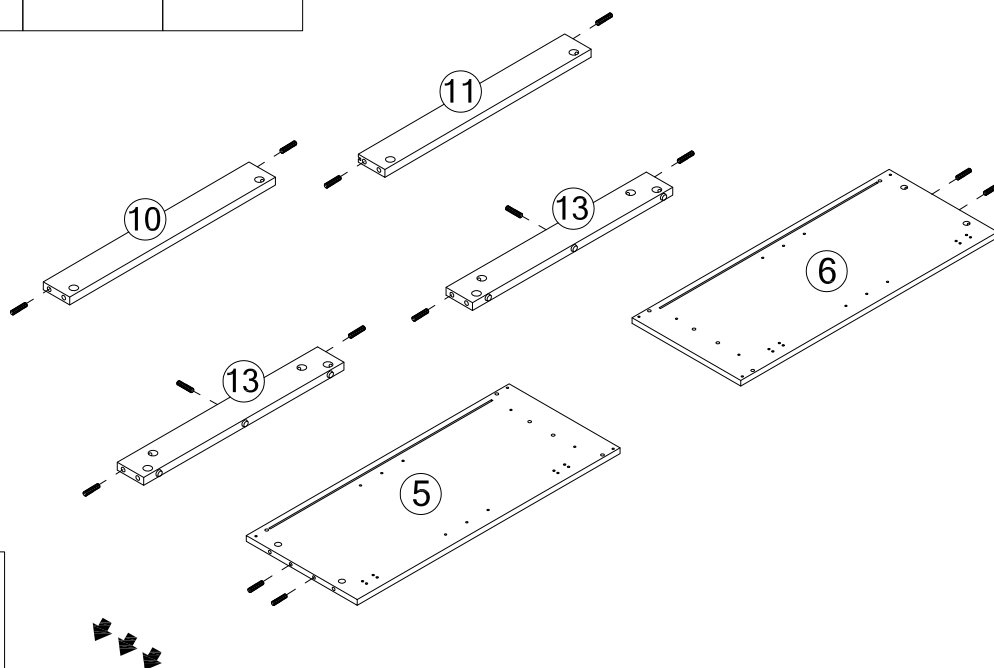


# INSTALLATION STEPS

## 3

YOU WILL NEED

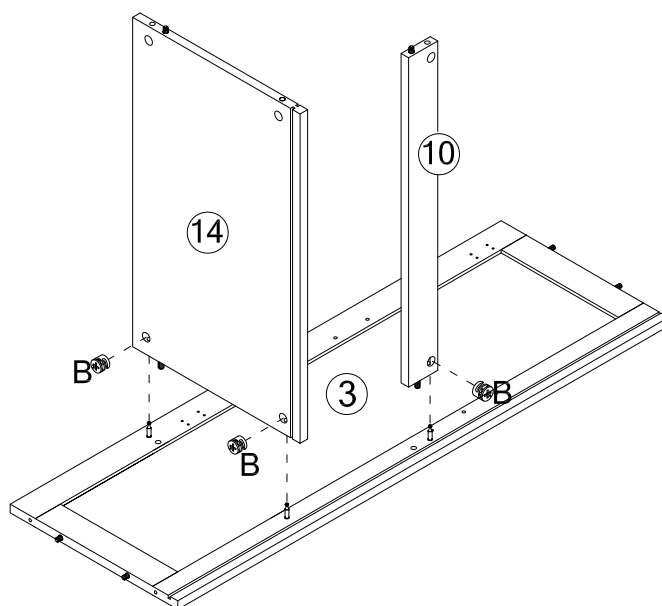
Dx14



## 4

YOU WILL NEED

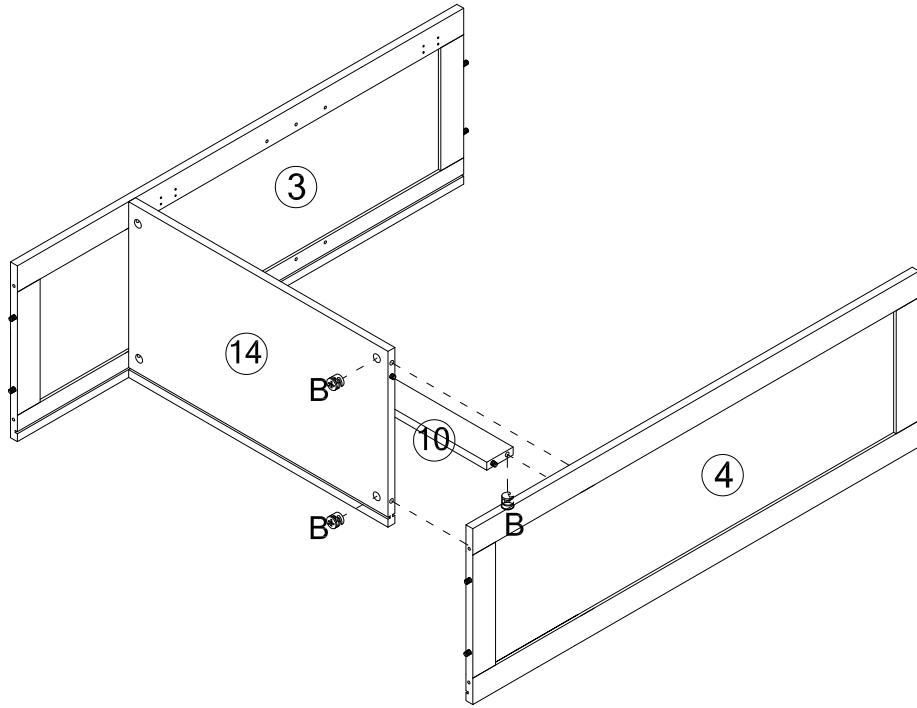
Bx3



# INSTALLATION STEPS

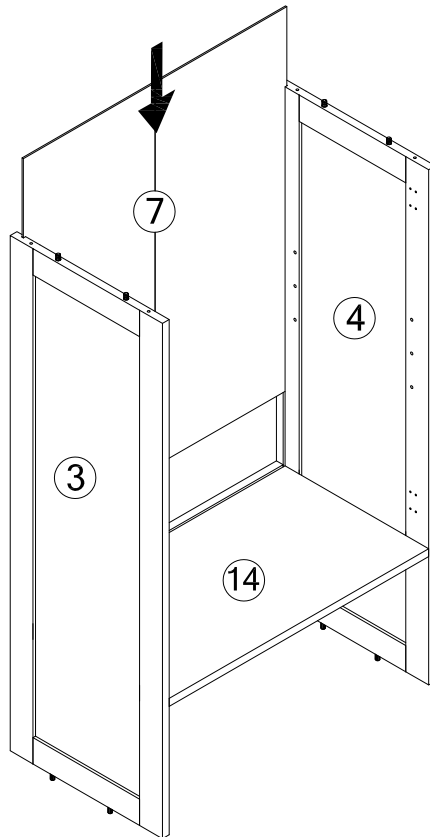
## 5

YOU WILL NEED		
Bx3		



## 6

YOU WILL NEED		

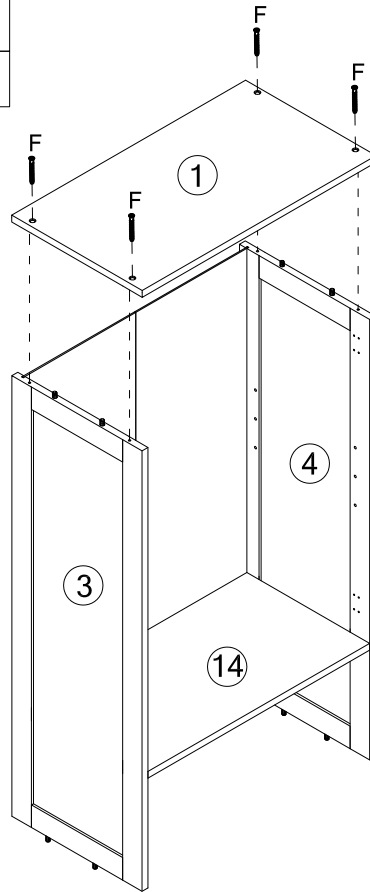


# INSTALLATION STEPS

## 7

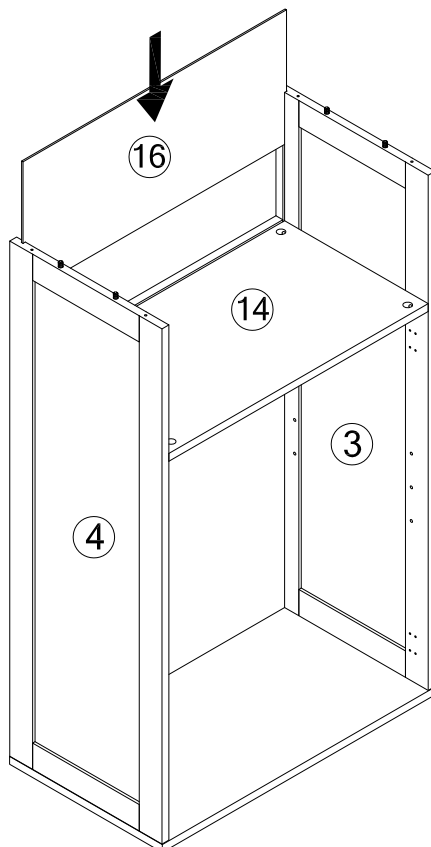
YOU WILL NEED

Fx4



## 8

YOU WILL NEED

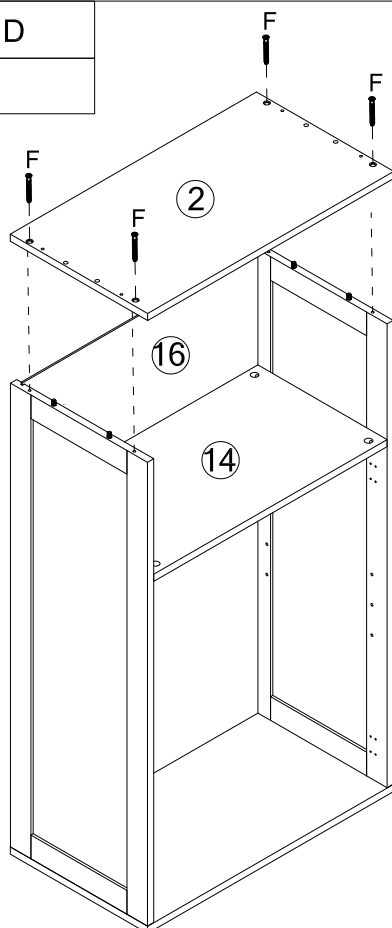


# INSTALLATION STEPS

## 9

YOU WILL NEED

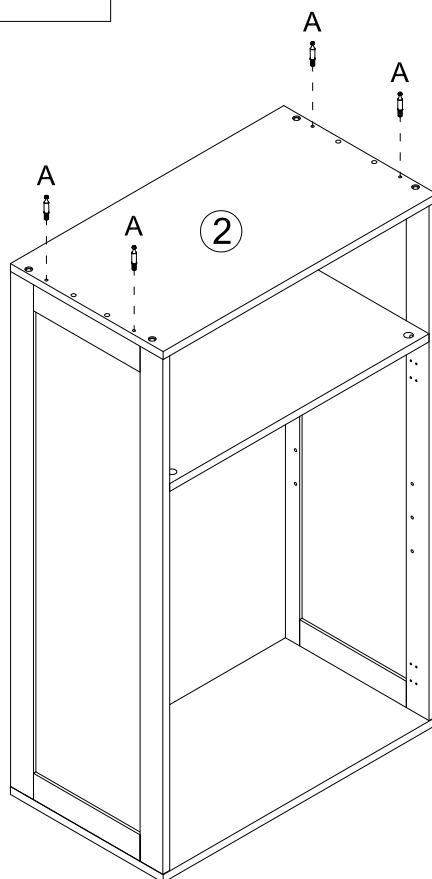
Fx4



## 10

YOU WILL NEED

Ax4

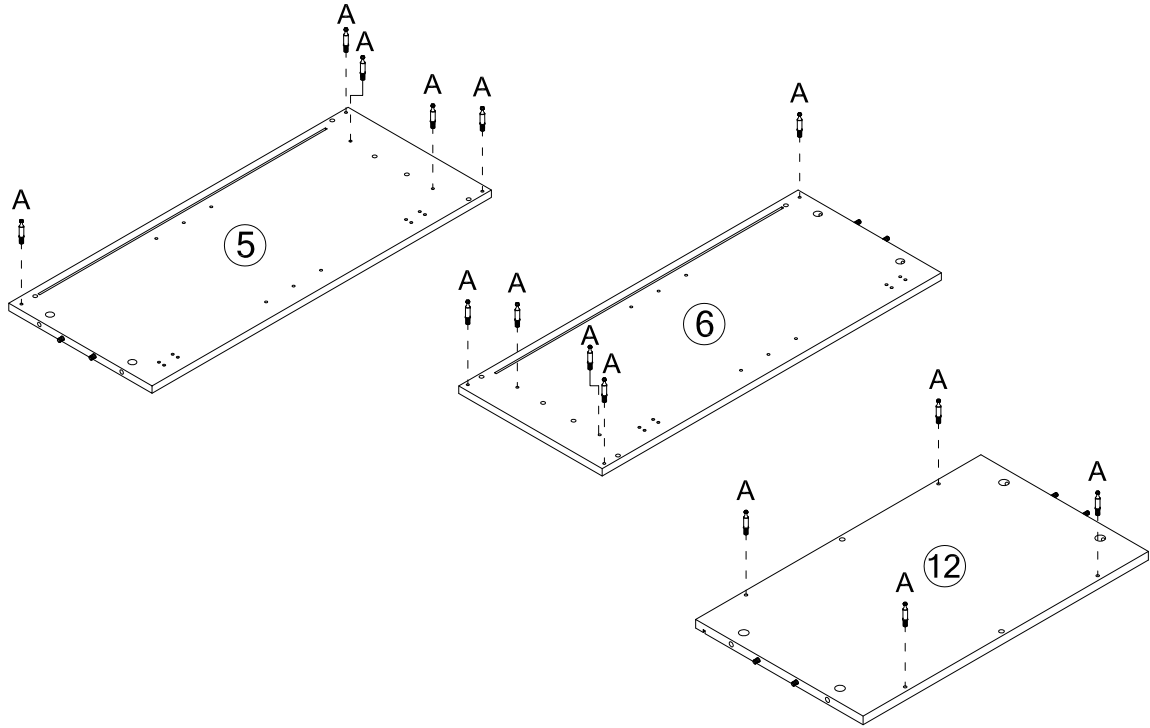


# INSTALLATION STEPS

## 11

YOU WILL NEED

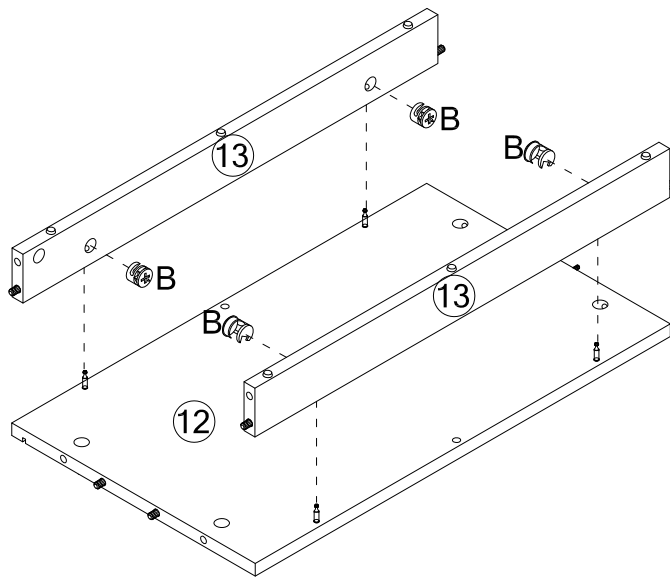
Ax14



## 12

YOU WILL NEED

Bx4

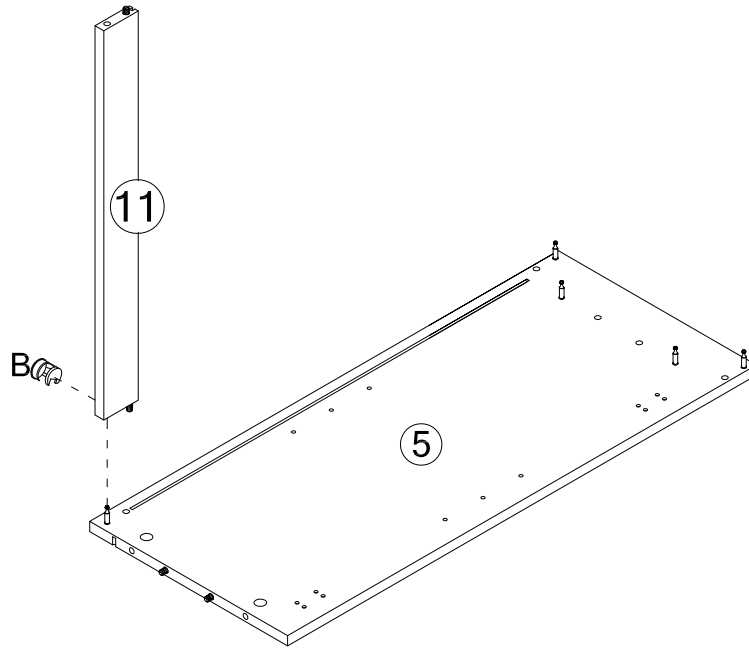


# INSTALLATION STEPS

## 13

YOU WILL NEED

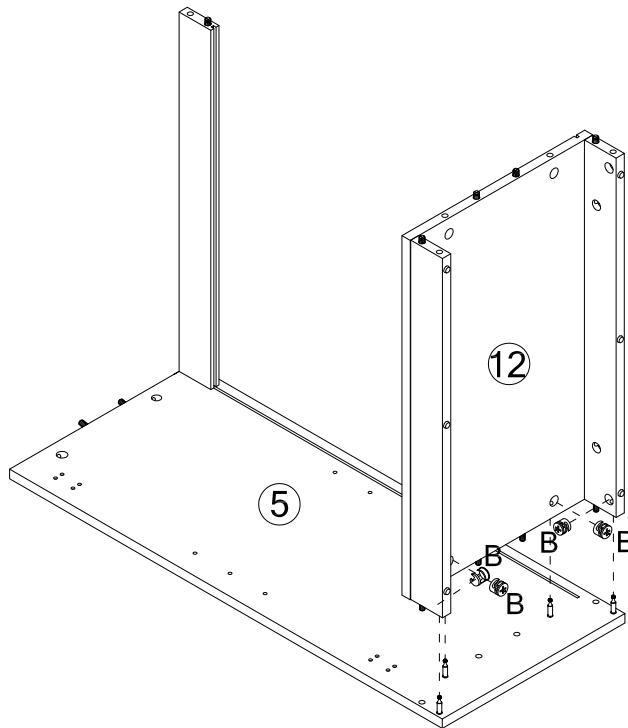
Bx1



## 14

YOU WILL NEED

Bx4

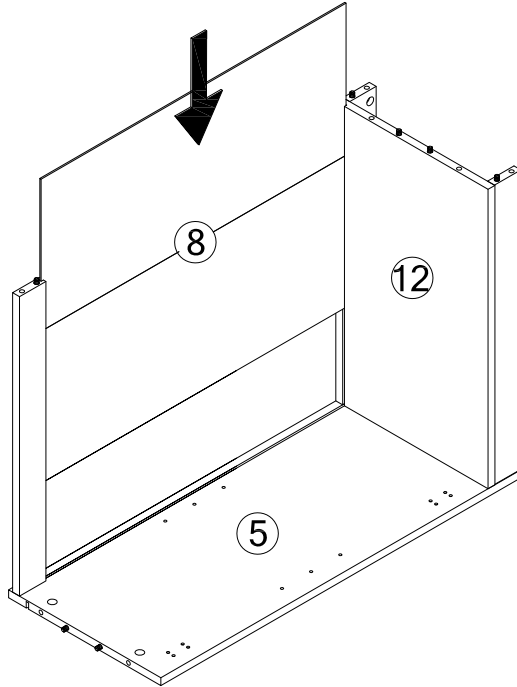


# INSTALLATION STEPS

## 15

YOU WILL NEED

--	--	--

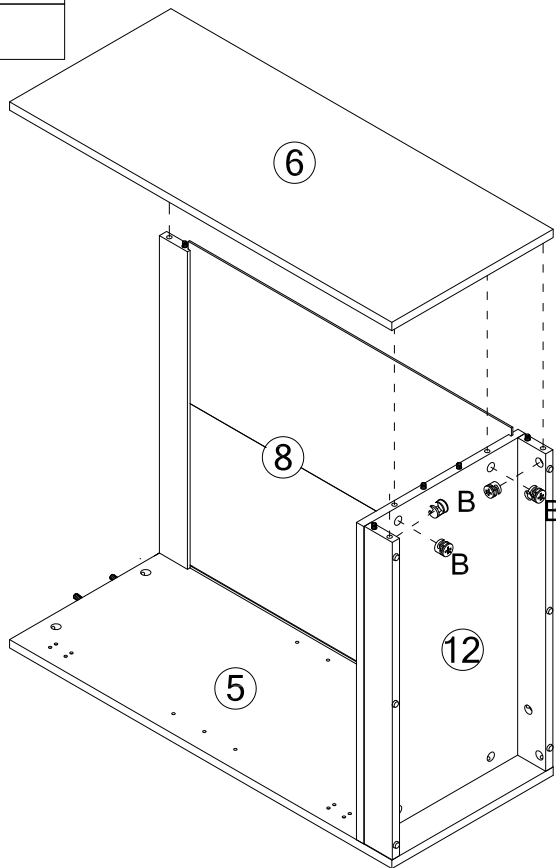


## 16

YOU WILL NEED

Bx4

--	--

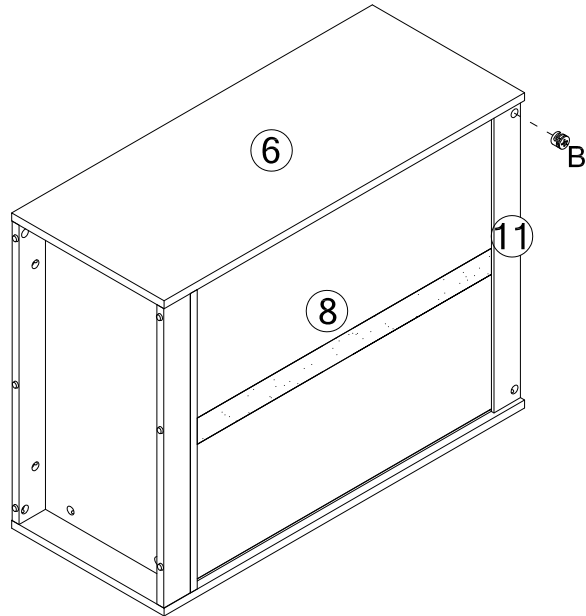


# INSTALLATION STEPS

# 17

YOU WILL NEED

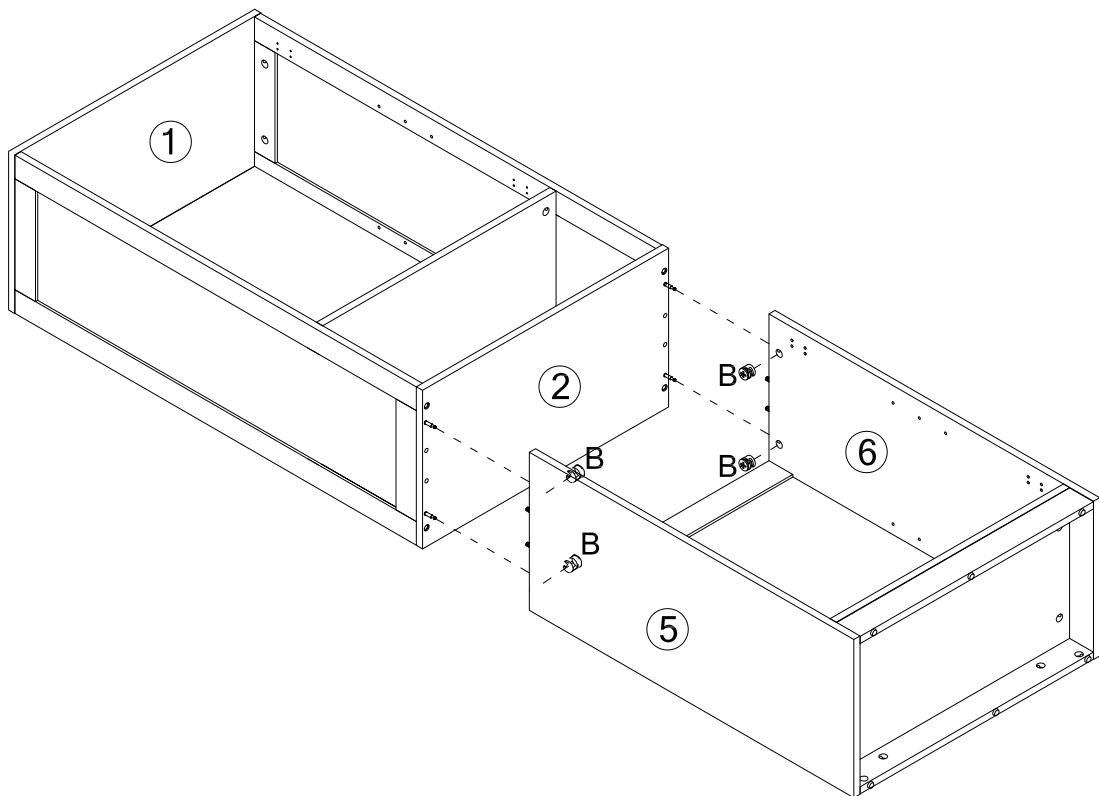
Bx1



# 18

YOU WILL NEED

Bx4



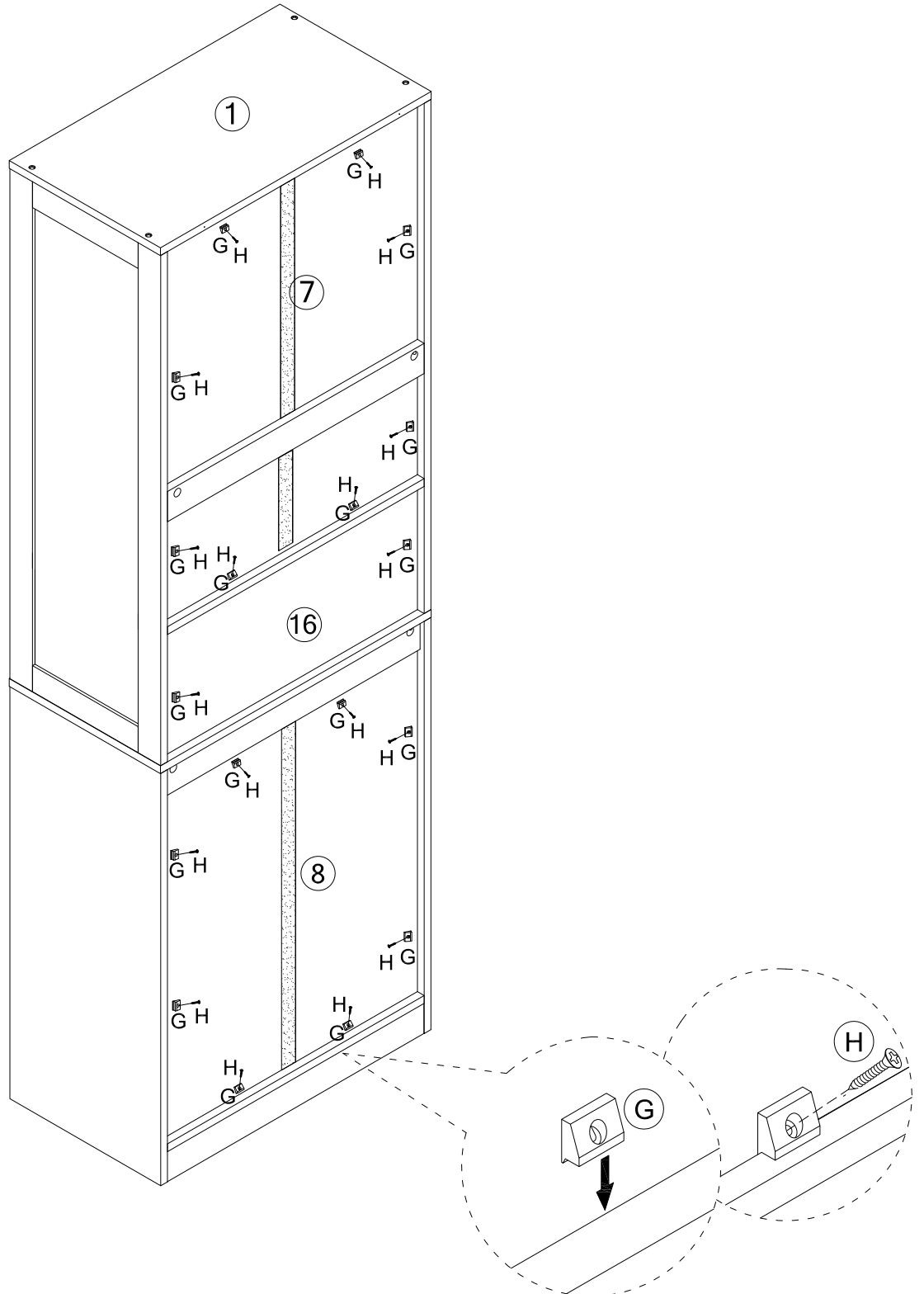
# INSTALLATION STEPS

# 19

YOU WILL NEED

Gx18

Hx18

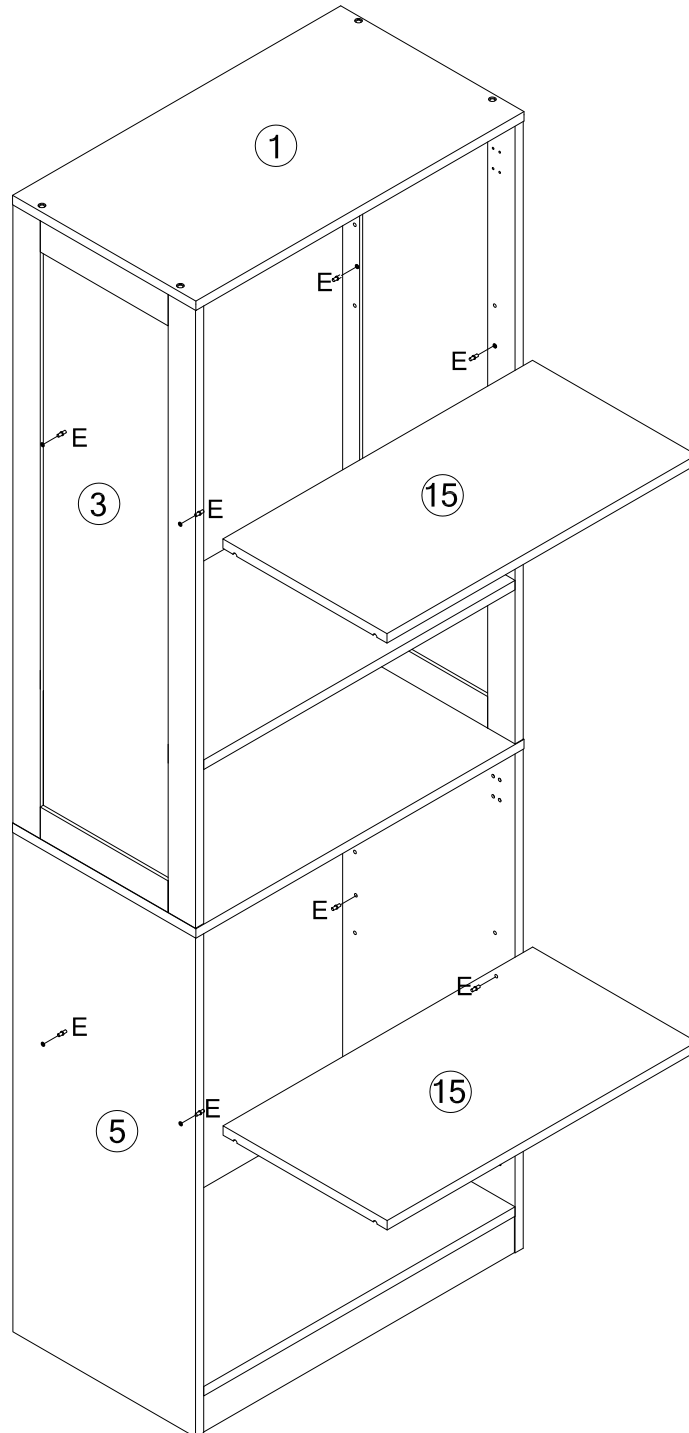


# INSTALLATION STEPS

# 20

YOU WILL NEED

Ex8



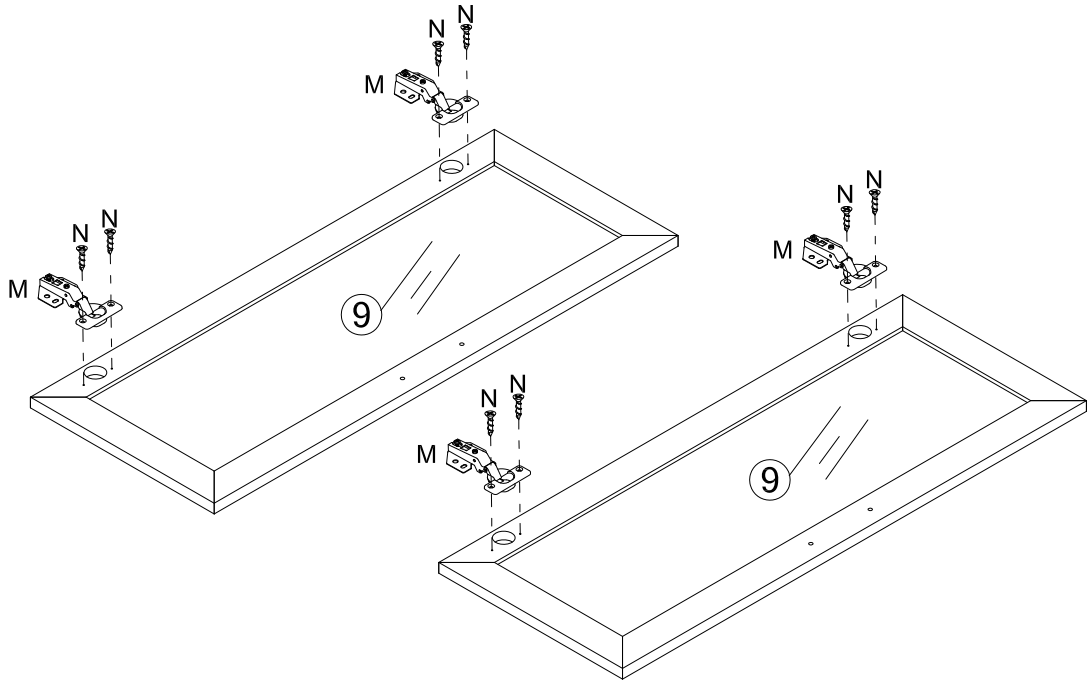
# INSTALLATION STEPS

## 21

YOU WILL NEED

Mx4

Nx8

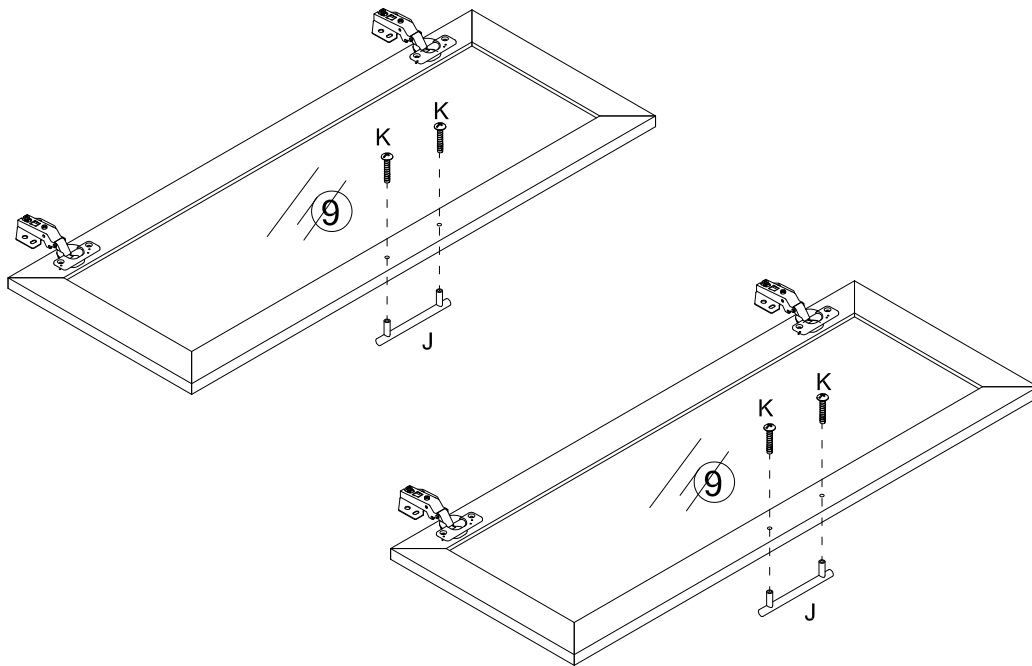


## 22

YOU WILL NEED

Jx2

Kx4



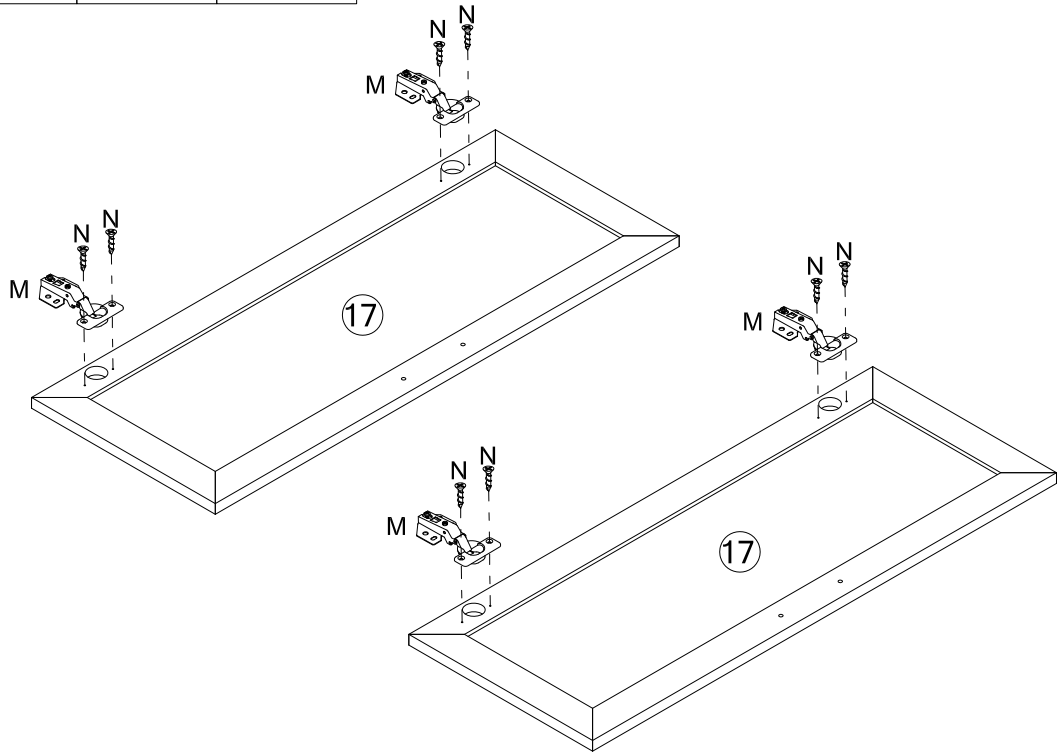
# INSTALLATION STEPS

## 23

YOU WILL NEED

Mx4

Nx8

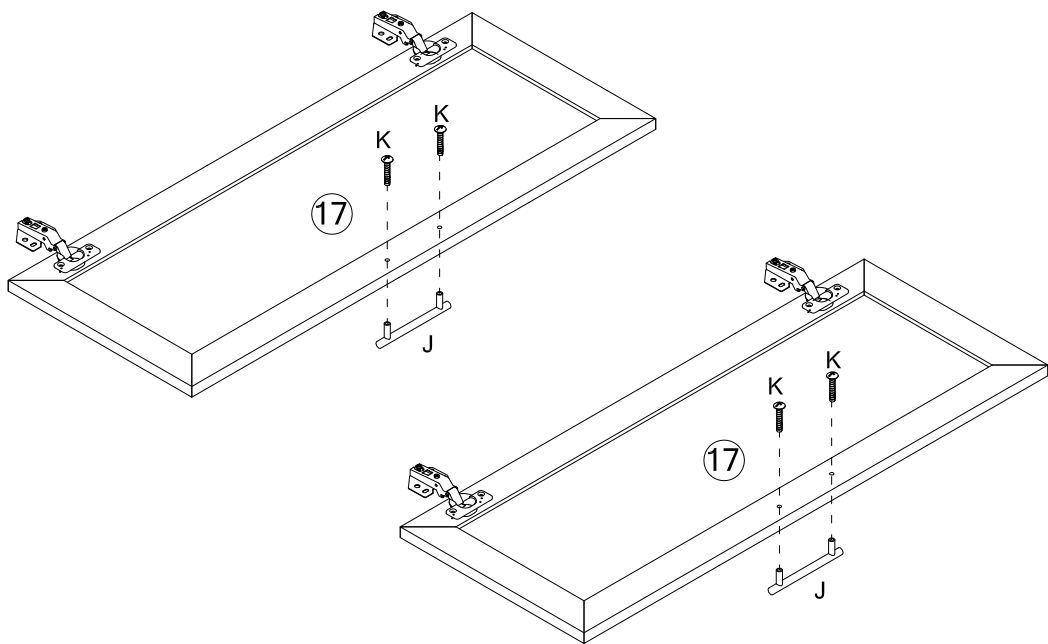


## 24

YOU WILL NEED

Jx2

Kx4

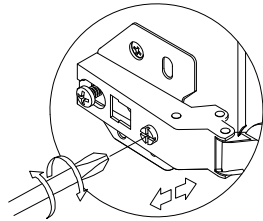
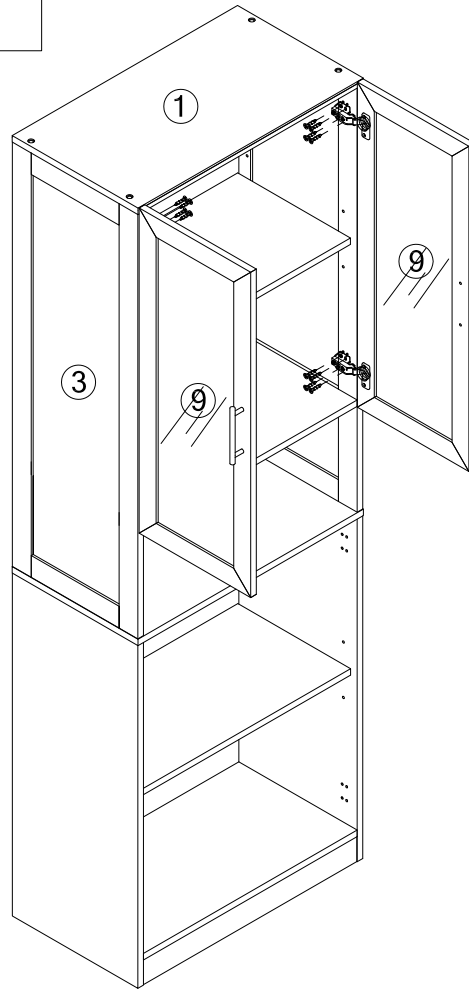
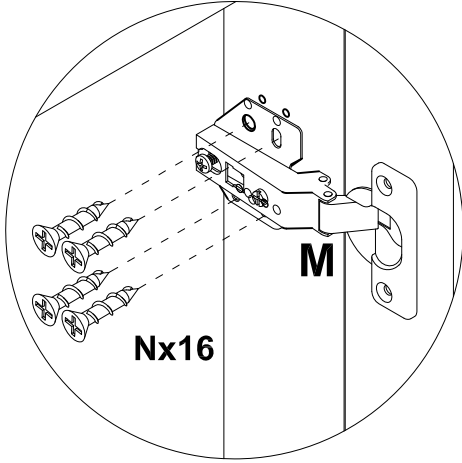


# INSTALLATION STEPS

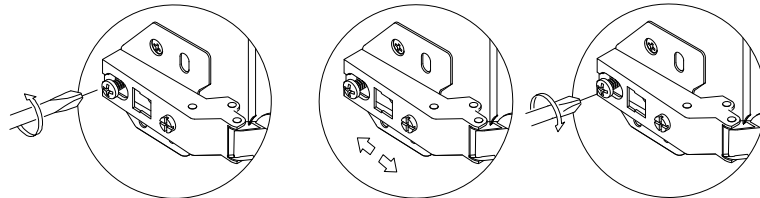
# 25

YOU WILL NEED

Nx16



This is used to adjust the door panel in the left and right direction.



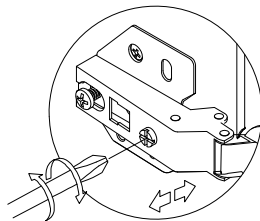
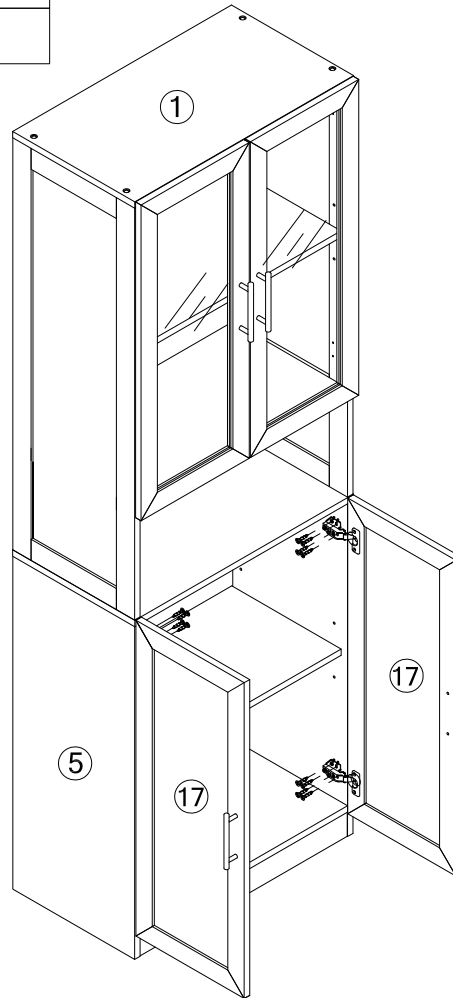
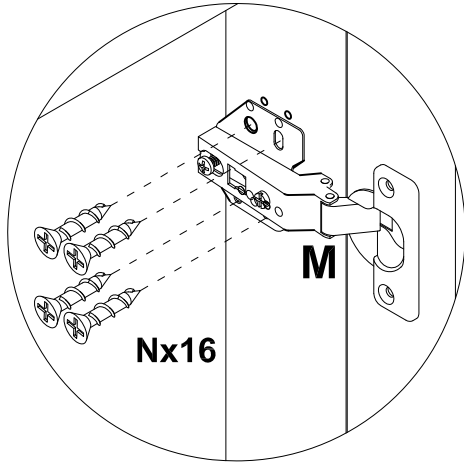
This is used to adjust the door panel in the front and back direction: Loosen screws of I according to the diagram, and then tighten screw after adjusting the door panel to the proper position.

# INSTALLATION STEPS

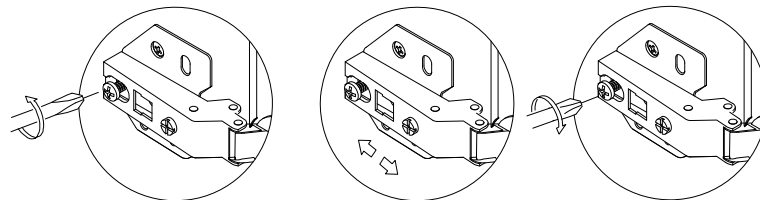
# 26

YOU WILL NEED

Nx16



This is used to adjust the door panel in the left and right direction.



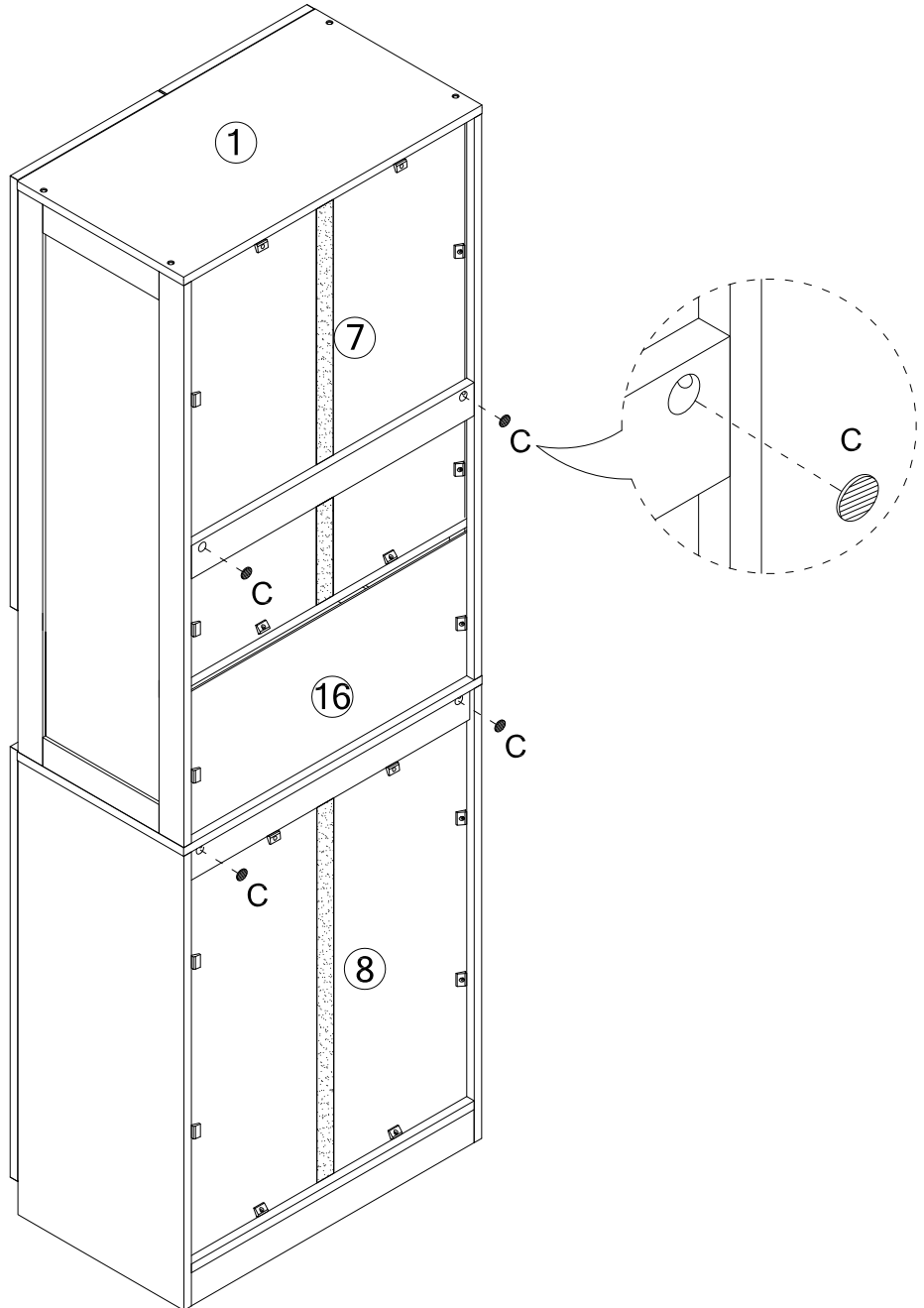
This is used to adjust the door panel in the front and back direction: Loosen screws of I according to the diagram, and then tighten screw after adjusting the door panel to the proper position.

# INSTALLATION STEPS

# 27

YOU WILL NEED

Cx24



# INSTALLATION STEPS

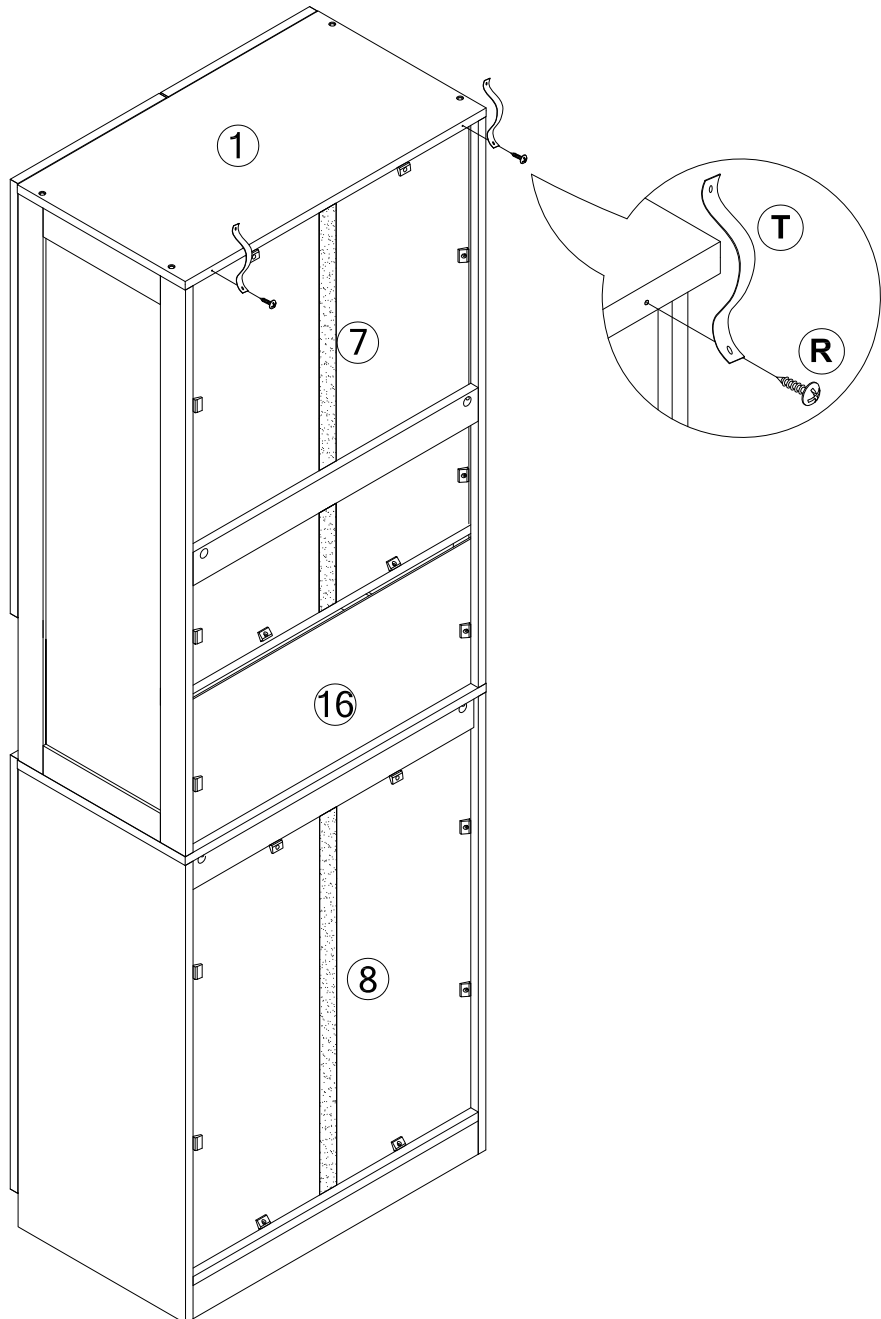
# 28

YOU WILL NEED

Tx2

Rx2

Attach anti-tipping straps to the back of the sideboard.



# INSTALLATION STEPS

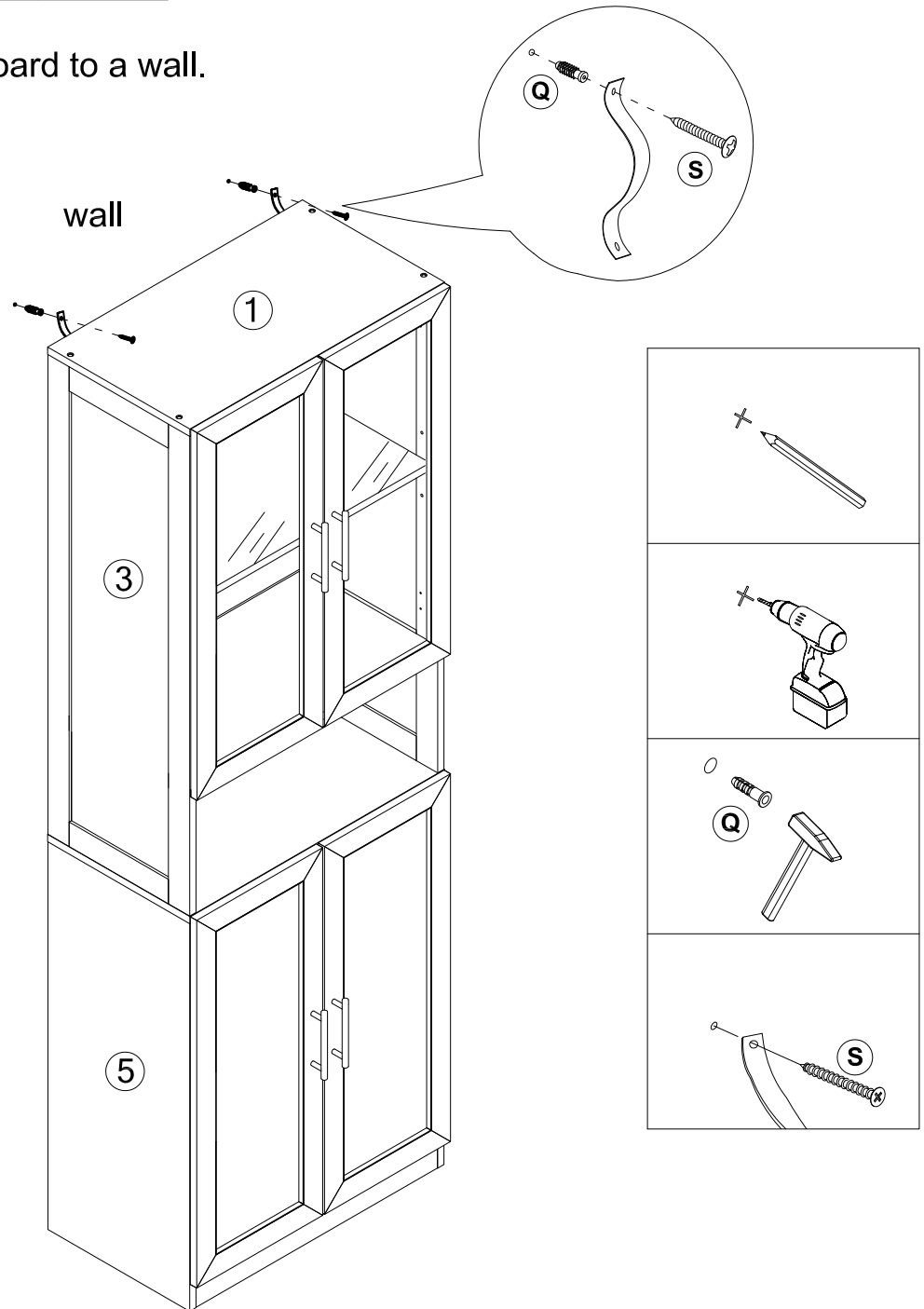
# 29

## YOU WILL NEED

Qx2

Sx2

Affix the sideboard to a wall.



**Furniture must permanently fixed to the wall stud with included anti-tipping device to prevent the furniture from tipping over.**

- Mark the drill position on the wall with a pencil.
- Drill a small hole on the marked position.
- Insert a wall anchor into the drilled hole.
- Fixed the anti-tipping strap to the wall with provided screws.

**Model: RS-74**

HUI ZHOU LIFA WOOD PRODUCTS CO.,LTD

Add: YongPing Village, Tonghu Town,

Zhongkai High-tech District, Huizhou

City, Guang dong Province, China.

**Made in China.**  