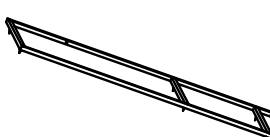
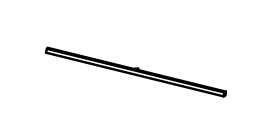
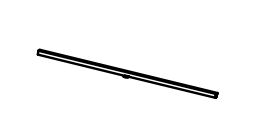
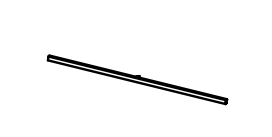

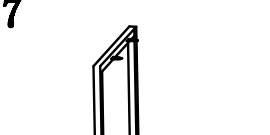

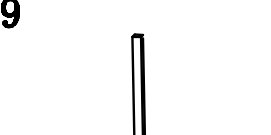
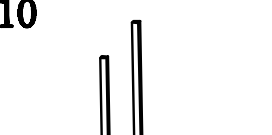
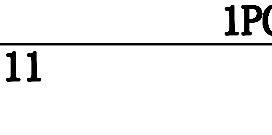
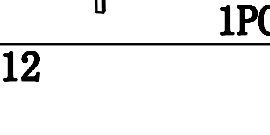



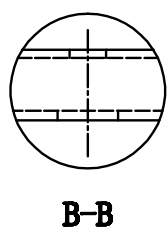
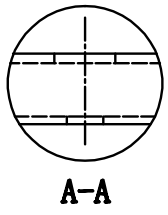
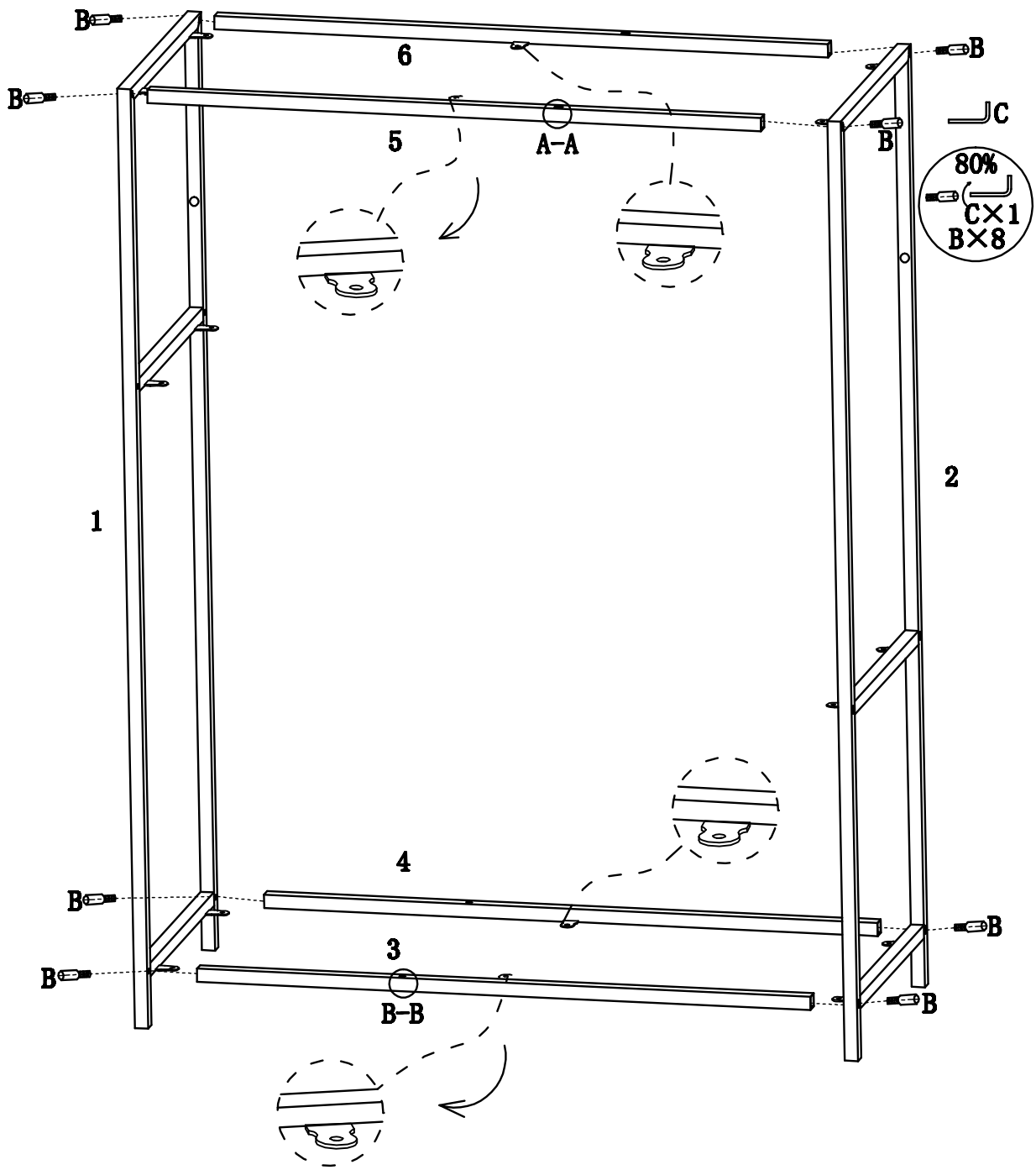
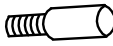

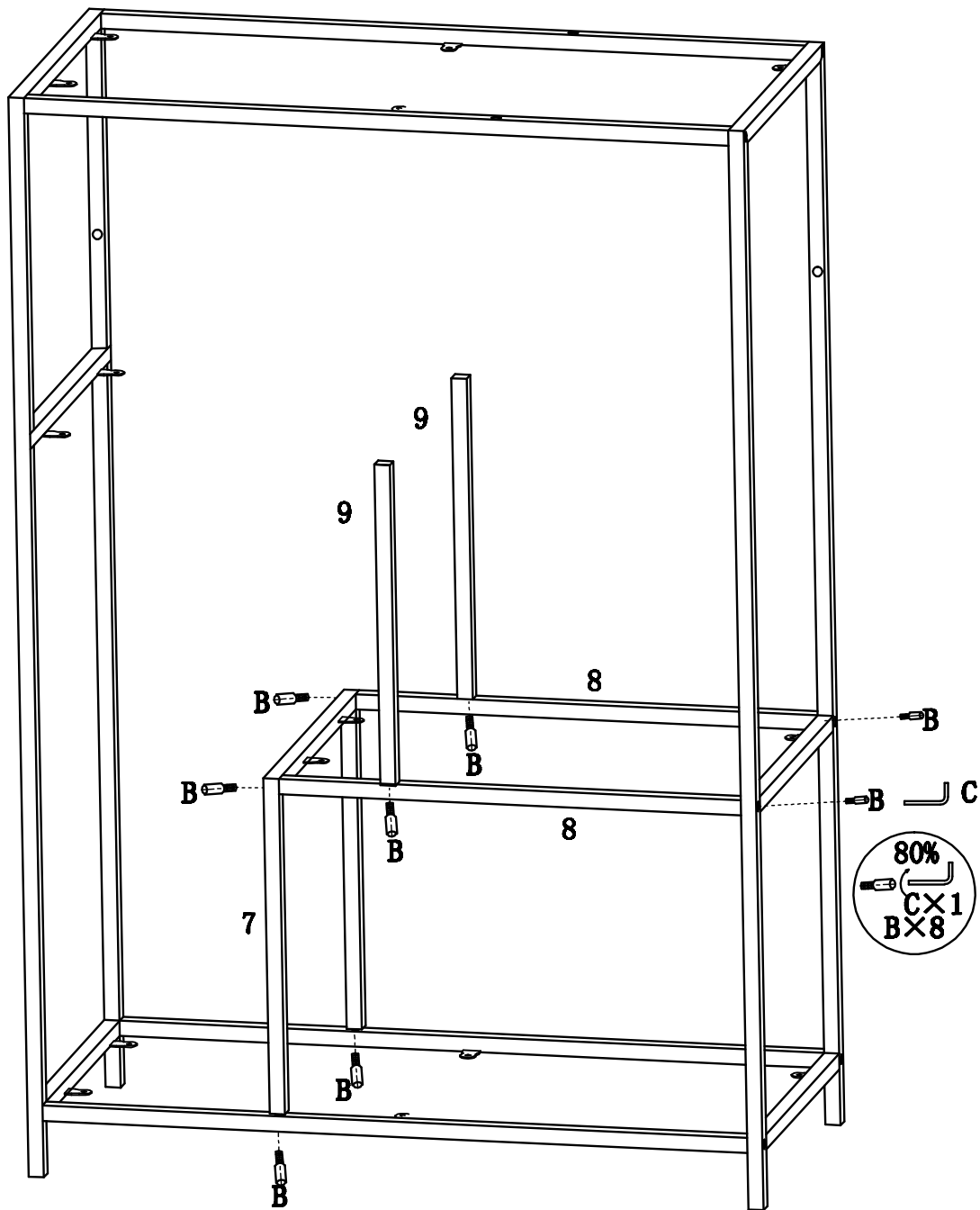
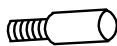

 <b>1PC</b>	 <b>1PC</b>	 <b>1PC</b>	 <b>1PC</b>	 <b>1PC</b>
 <b>1PC</b>	 <b>1PC</b>	 <b>4PCS</b>	 <b>2PCS</b>	 <b>1PC</b>
 <b>2PCS</b>	 <b>2PCS</b>	<b>A</b>  <b>M4 × 10mm</b> <b>20PCS</b>	<b>B</b>  <b>M6 × 15mm</b> <b>24PCS</b>	<b>C</b>  <b>4mm</b> <b>1PC</b>

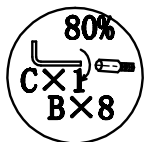
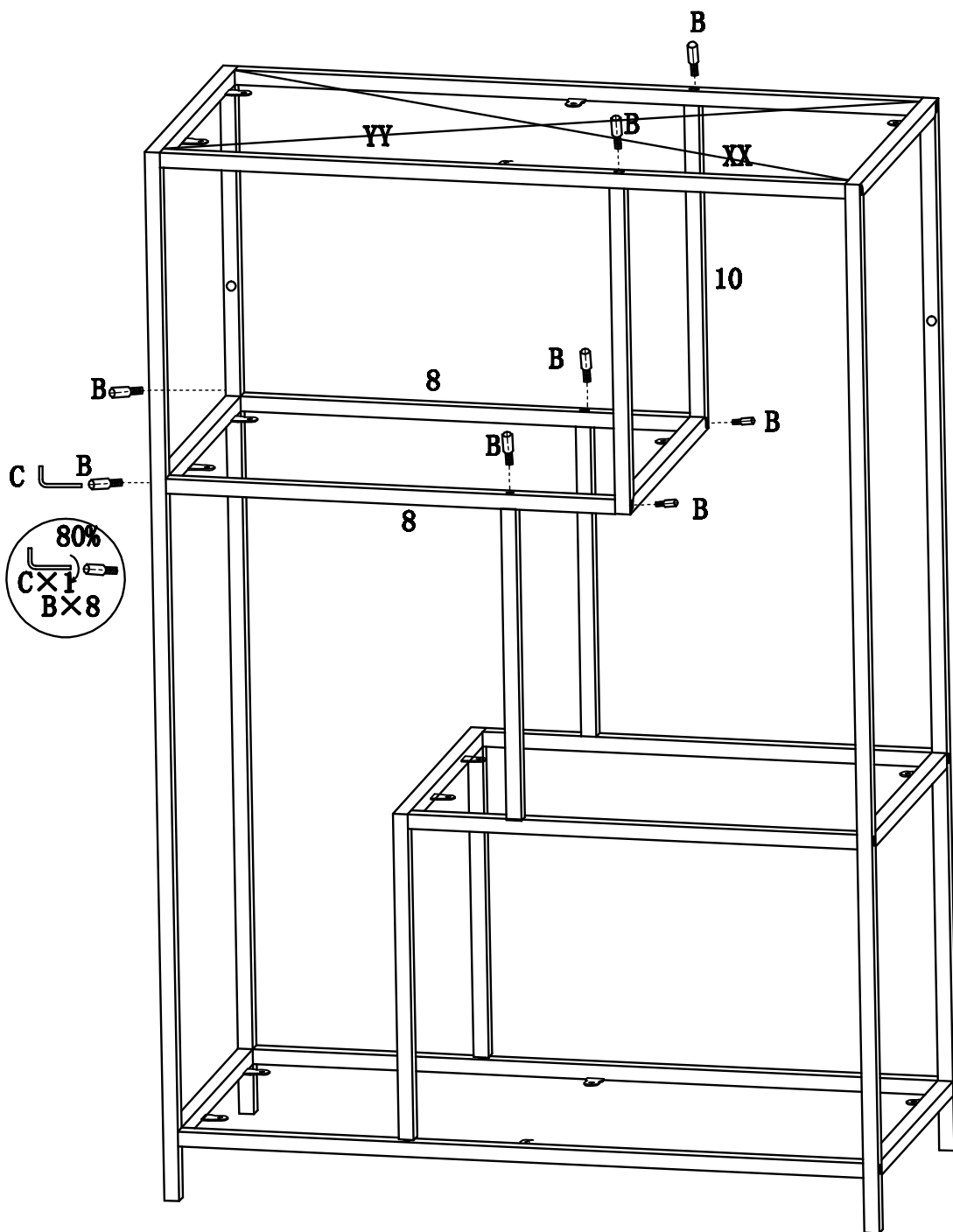



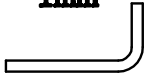
<p><b>B</b></p> <p>M6 × 15mm</p>  <p>8PCS</p>	<p><b>C</b></p> <p>4mm</p>  <p>1PC</p>
---	---

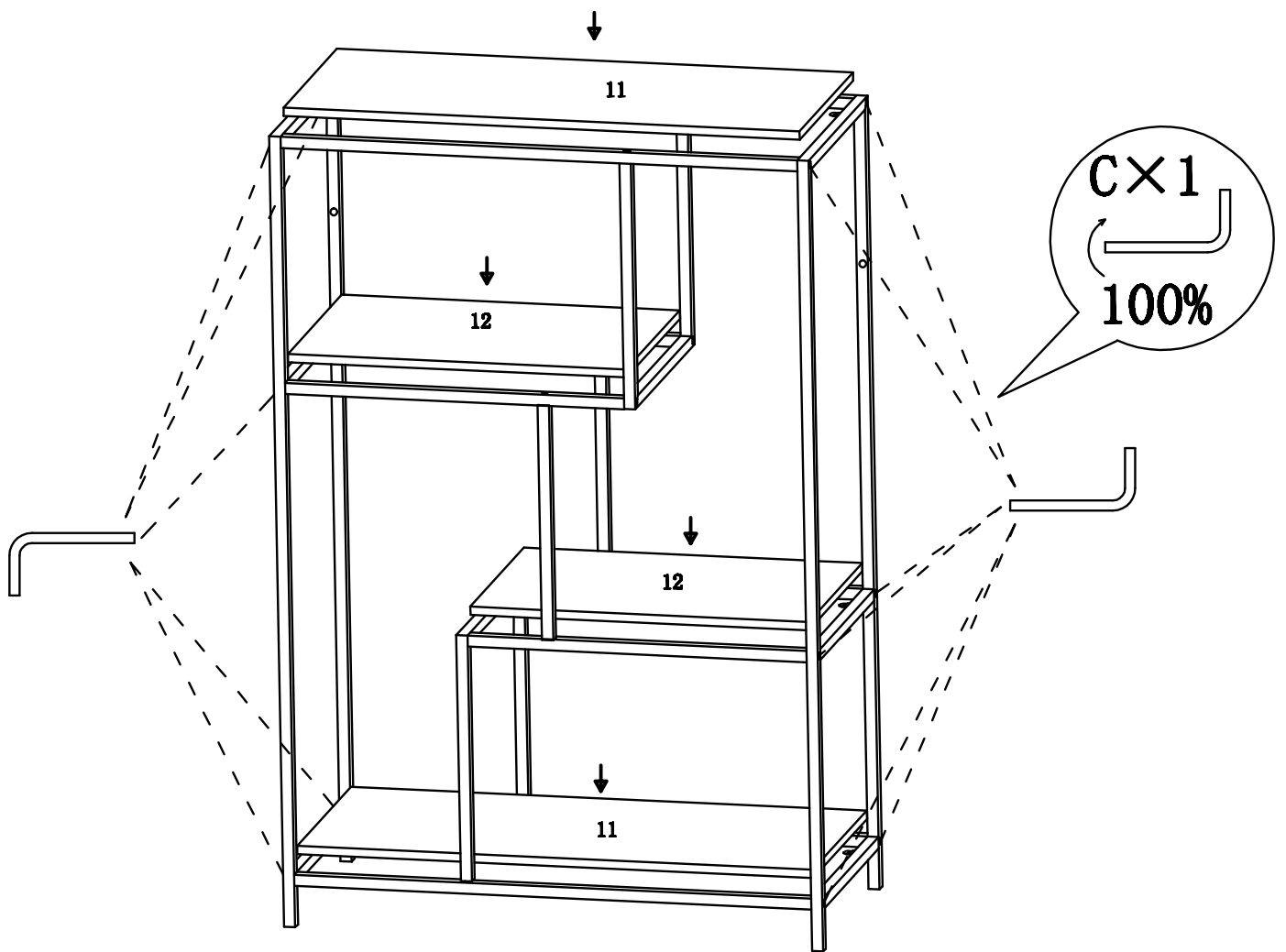


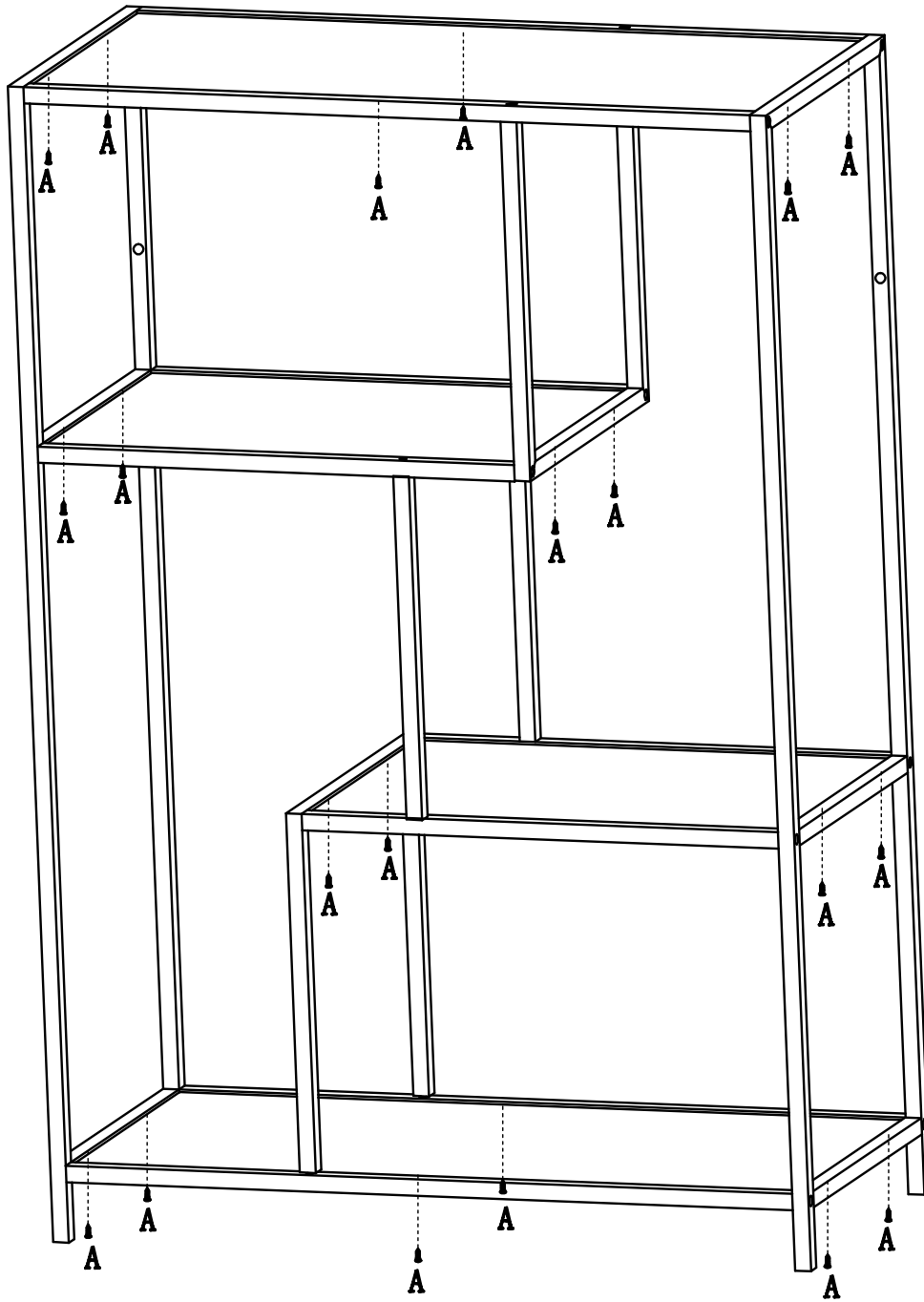
<p><b>B</b></p> <p>M6 × 15mm</p>  <p>8PCS</p>	<p><b>C</b></p> <p>4mm</p>  <p>1PC</p>
---	---


 XX=YY



<b>B</b> M6 × 15mm  8PCS	<b>C</b> 4mm  1PC
---	---





**A**  
**M4 × 10mm**  
  
**20PCS**

