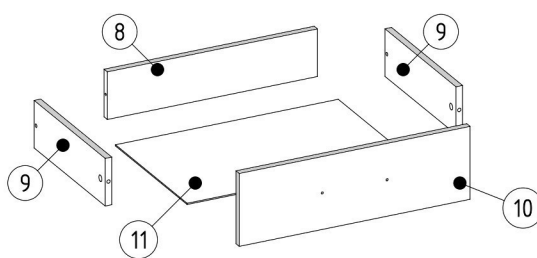
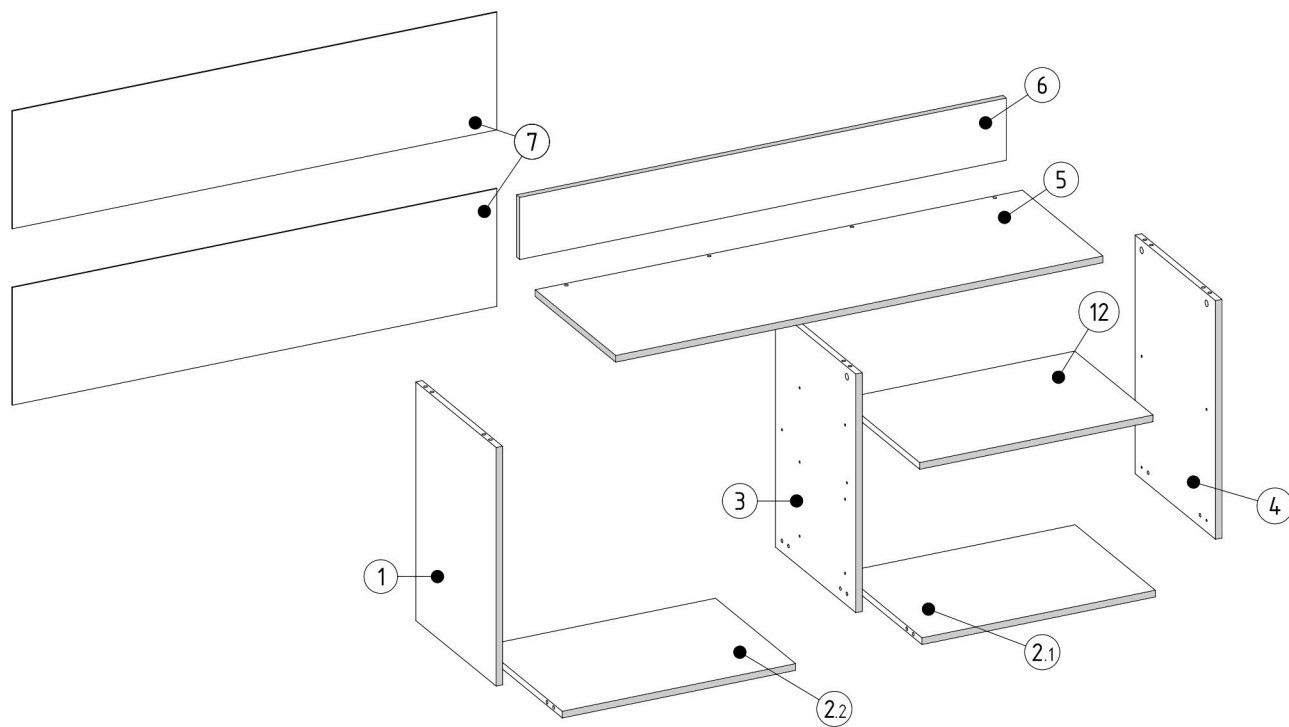


P3 L=350mm x3	B1 Ant ø17/4mm x2
-----------------------------	------------------------------------







N1 L=35mm x16	M1 12x15mm x20	N4 L=62mm x2	S1 3,5x16mm x12	E1 8x30mm x10	R1 6x8mm x12	U7 L=180/160mm x3	B1 B ø17/4mm x8
-----------------------------	------------------------------	----------------------------	-------------------------------	-----------------------------	----------------------------	---------------------------------	----------------------------------

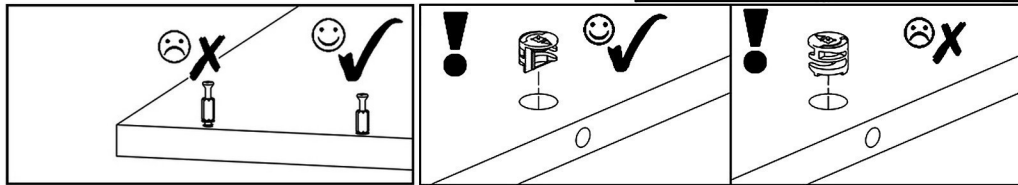
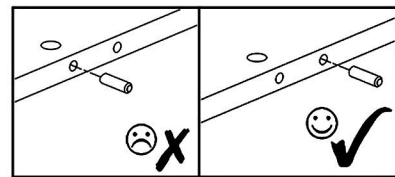
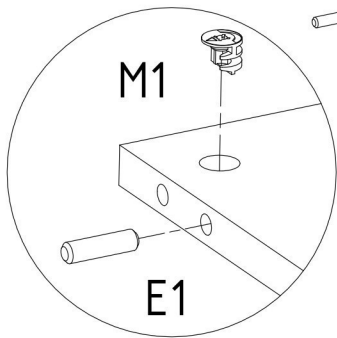
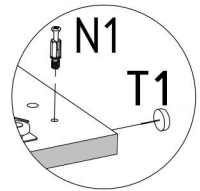
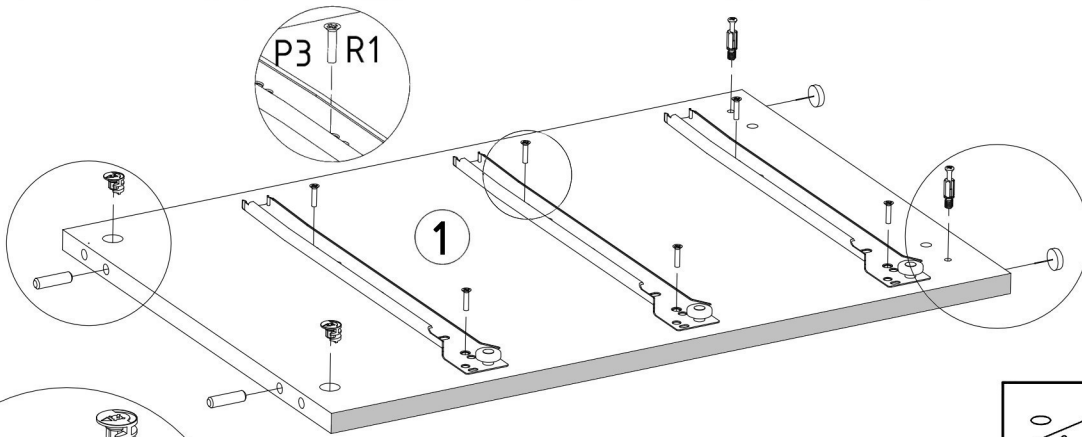
Z1 x70	F1 7x50mm x10	V16 5x16mm x4	F3 Hex 4mm x1	R8 4x30mm x6	E3 8x50mm x2	T1 x6	B1 S-A ø17/4mm x2
----------------------	-----------------------------	-----------------------------	-----------------------------	----------------------------	----------------------------	---------------------	------------------------------------






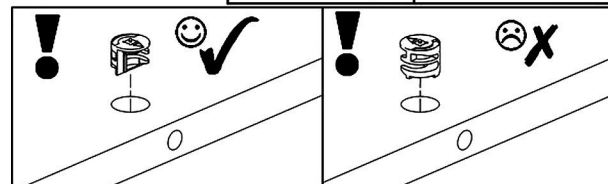
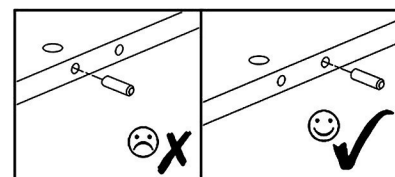
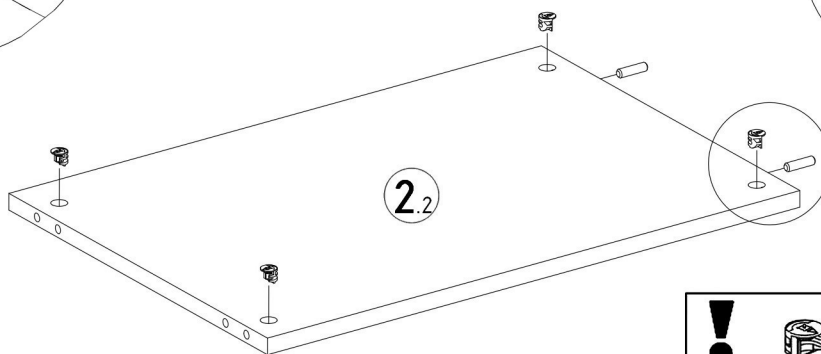
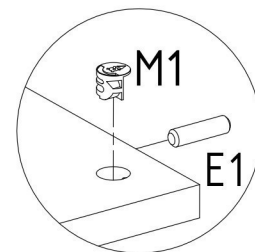
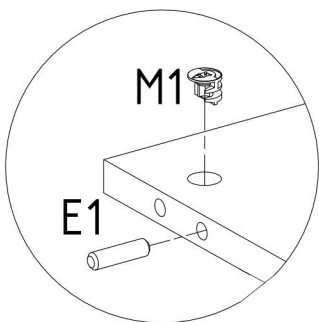
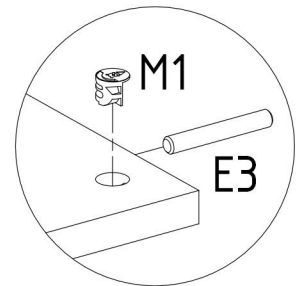
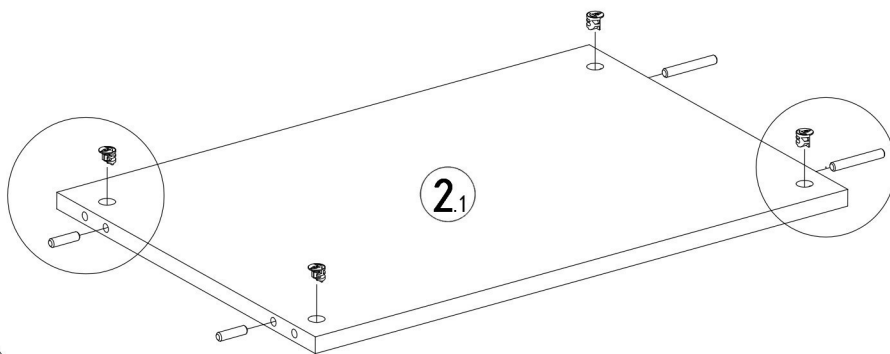
1	x	1
2.1	x	1
2.2	x	1
3	x	1
4	x	1
5	x	1
6	x	1



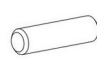


7	x	2
8	x	3
9	x	6
10	x	3
11	x	3
12	x	1

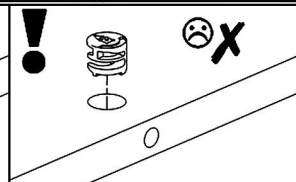
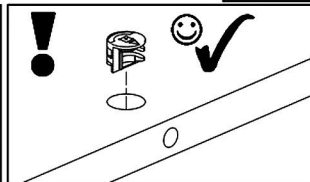
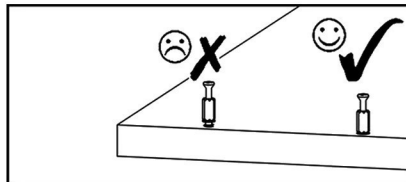
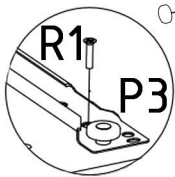
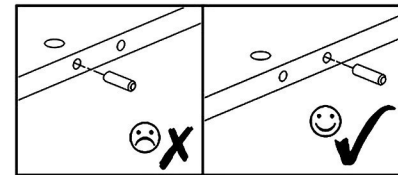
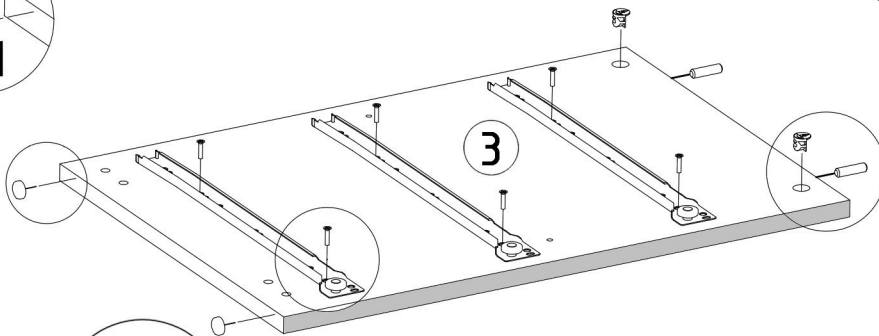
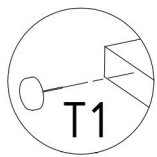
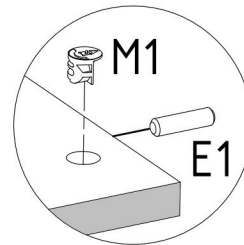
M1  12x15mm x2	N1  L=35mm x2	E1  8x30mm x2	R1  6x8mm x6	P3  L=350mm x3	T1  x2
---	---	---	--	--	---




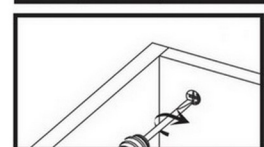
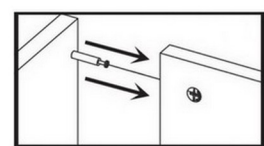
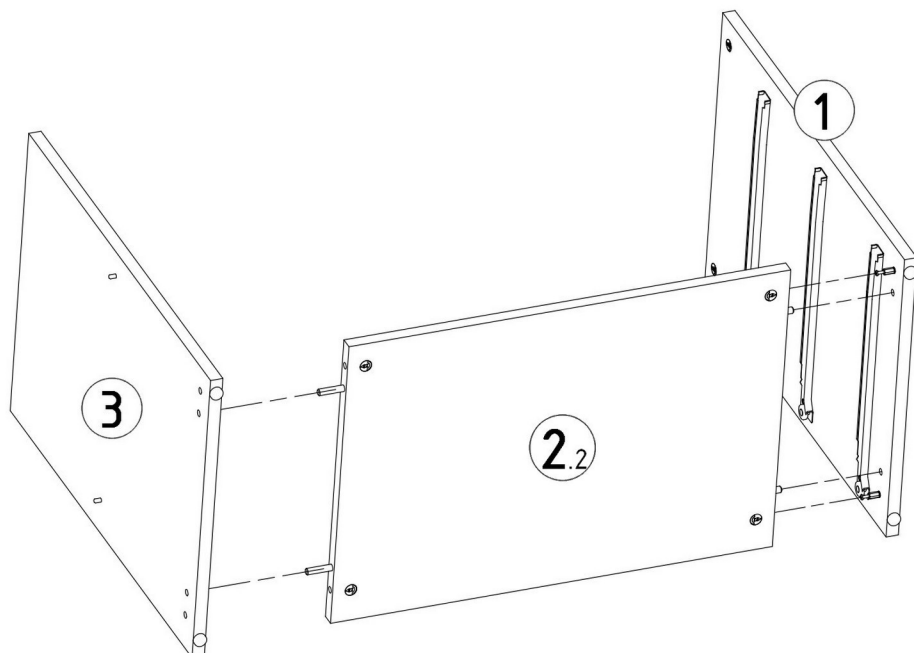
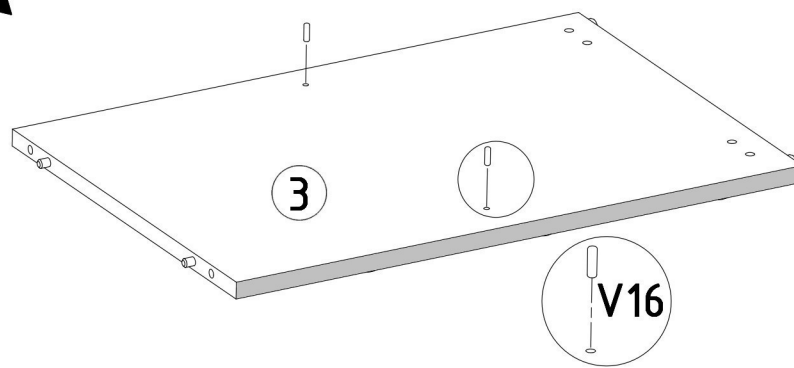
M1  12x15mm x8	E3  8x50mm x2	E1  8x30mm x4
---	---	---



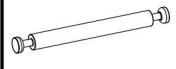
<p>M1</p>  <p>12x15mm x2</p>	<p>T1</p>  <p>x2</p>	<p>E1</p>  <p>8x30mm x2</p>	<p>R1</p>  <p>6x8mm x6</p>	<p>P3</p>  <p>L=350mm x3</p>
---	--	---	--	--



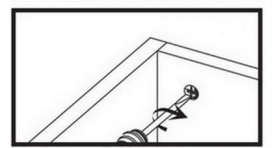
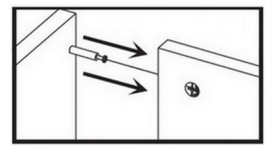
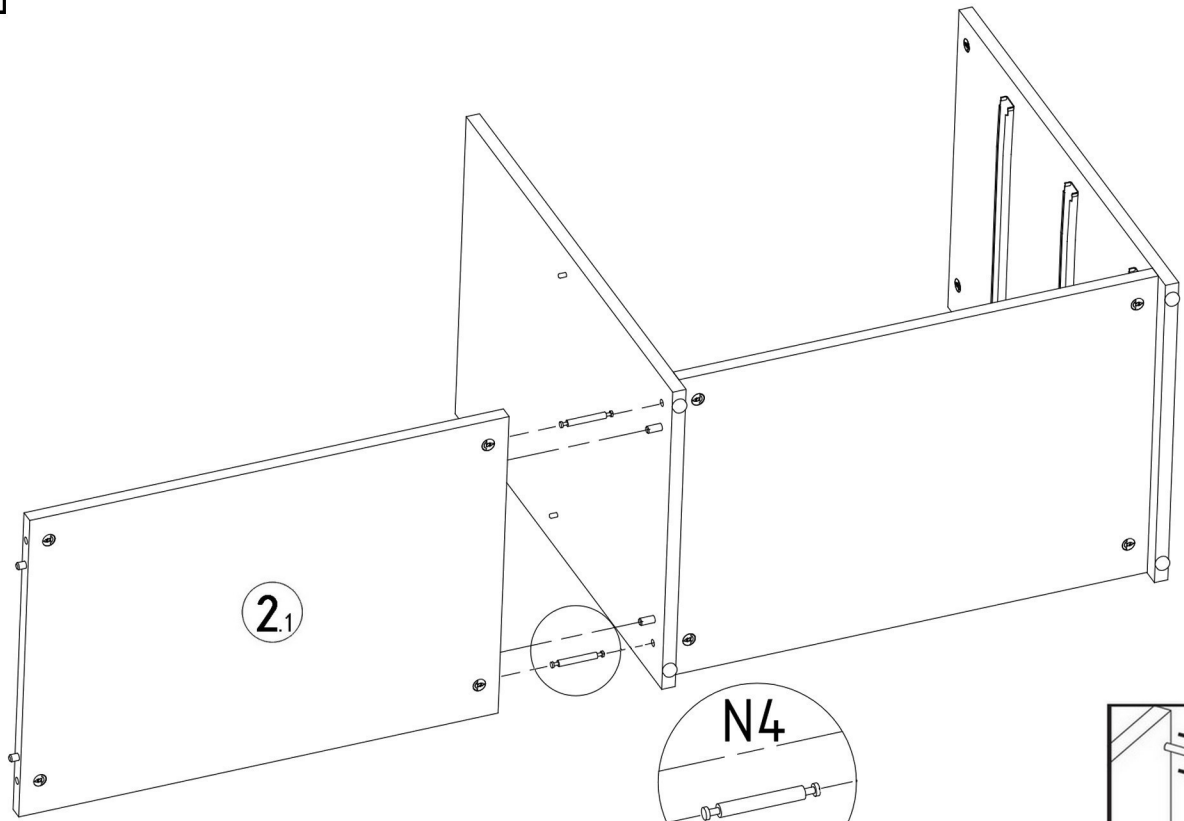
<p>V16</p>  <p>5x16mm x2</p>



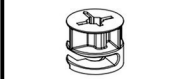
N4



L=62mm x2



M1



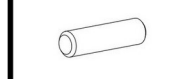
12x15mm x2

N1



L=35mm x2

E1



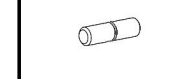
8x30mm x2

T1

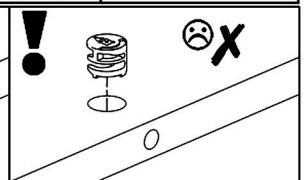
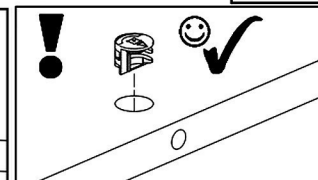
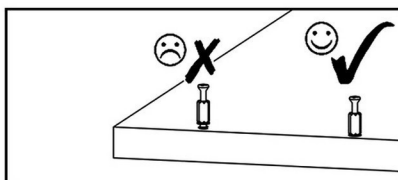
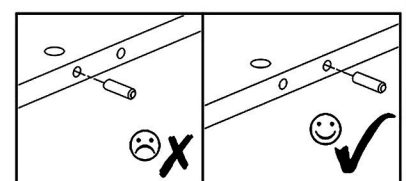
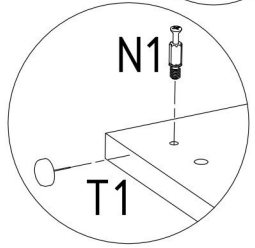
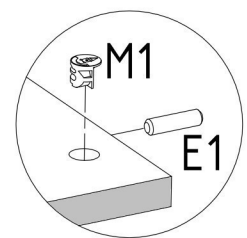
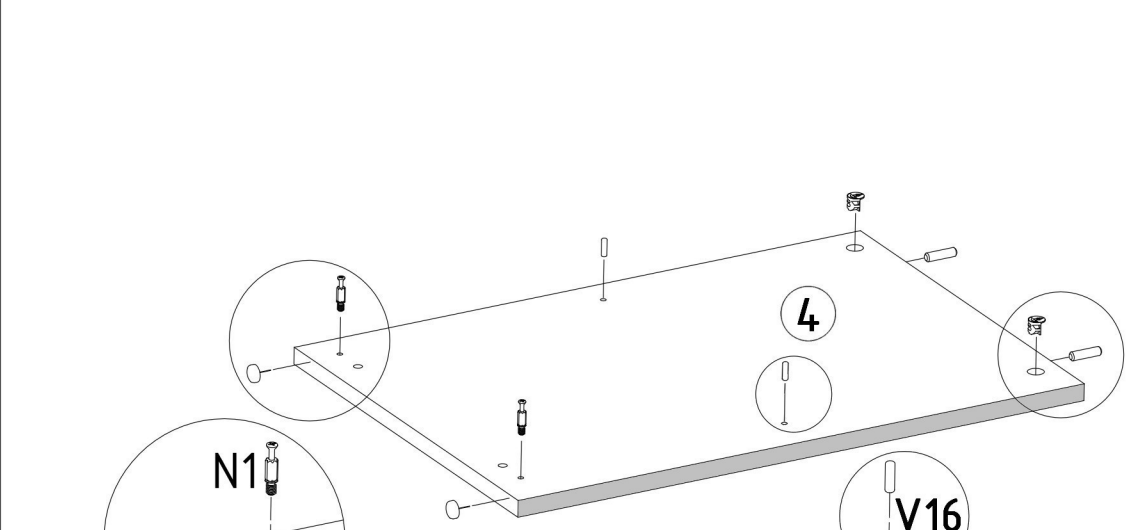


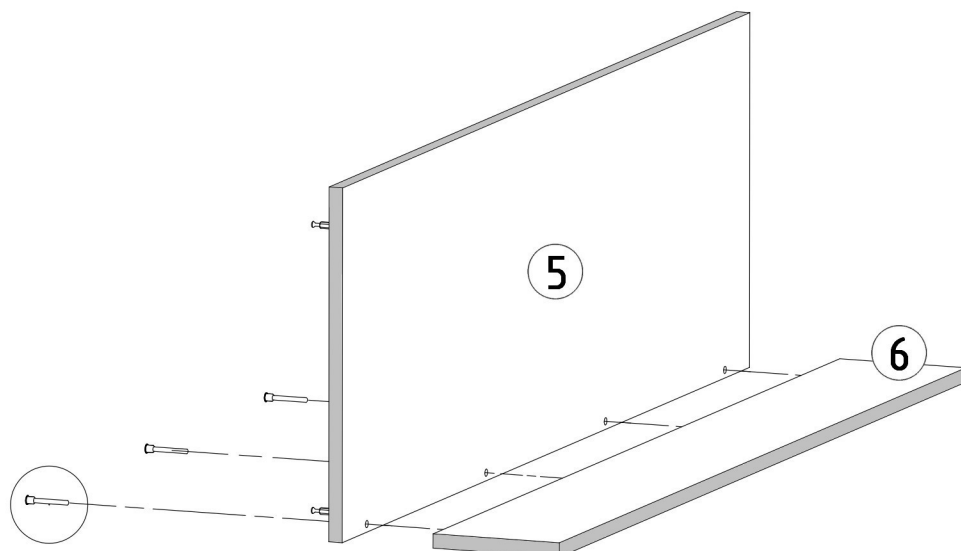
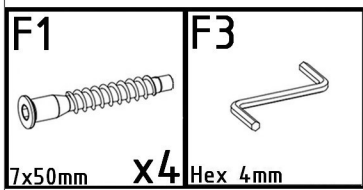
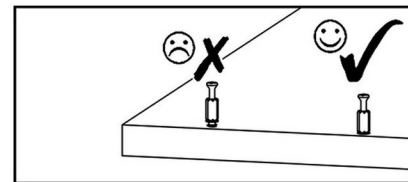
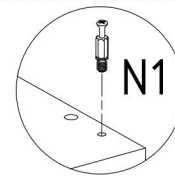
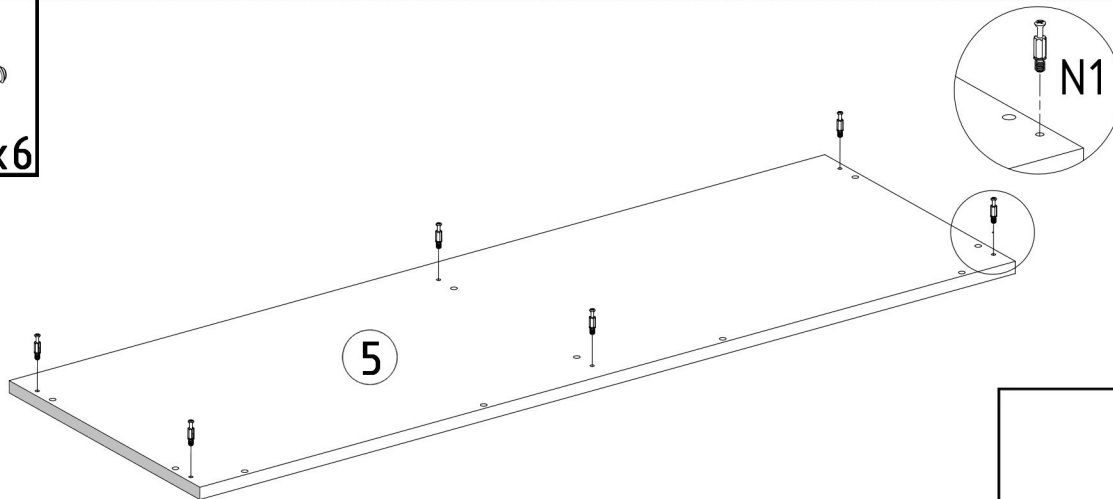
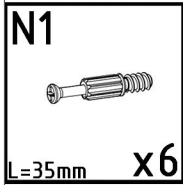
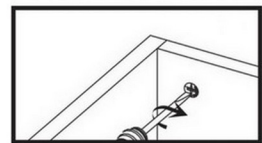
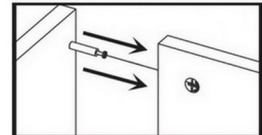
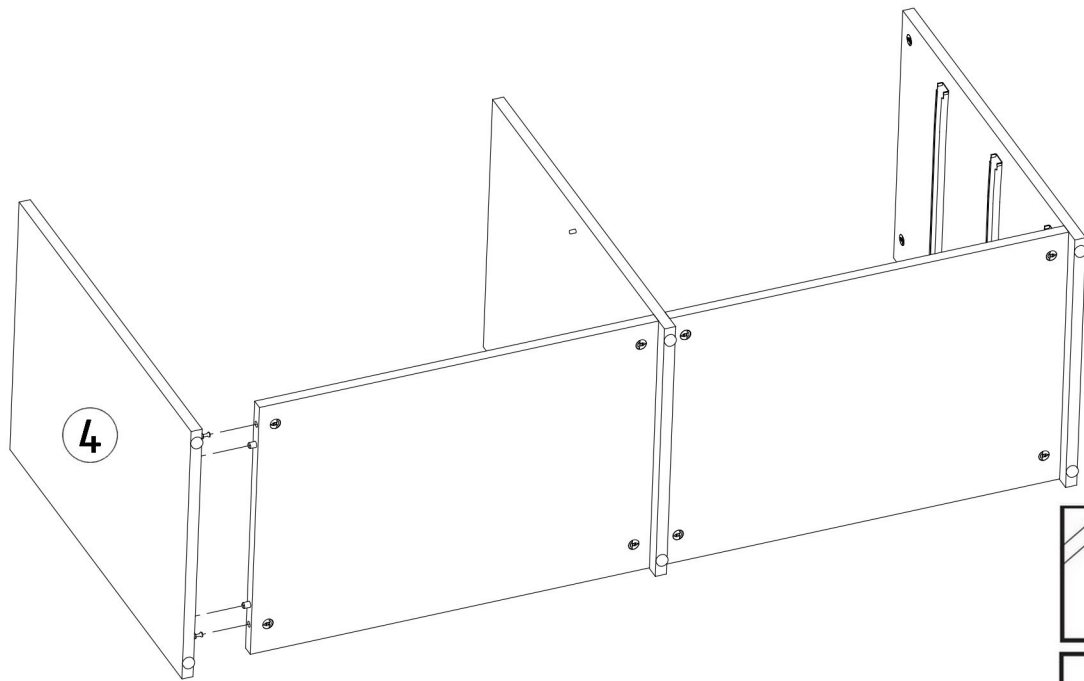
x2

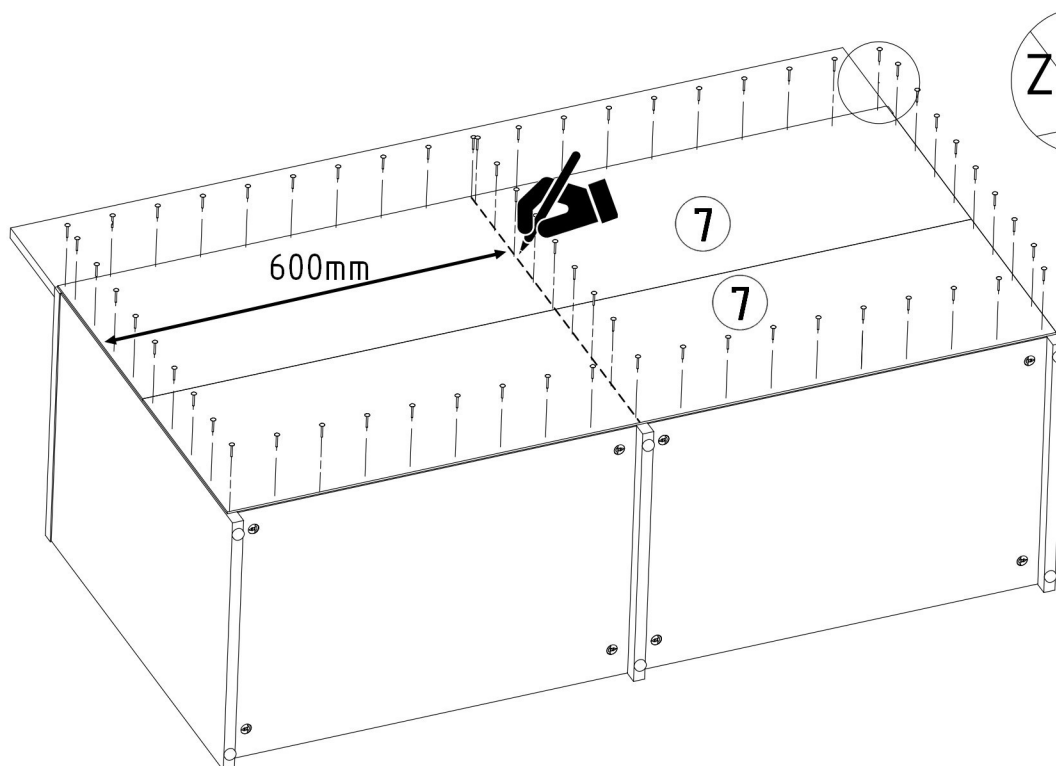
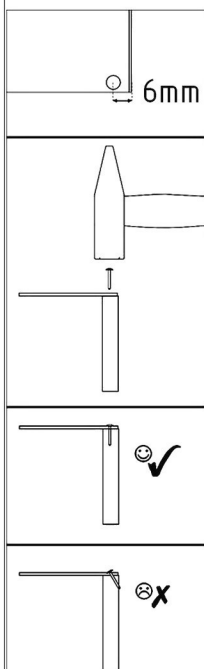
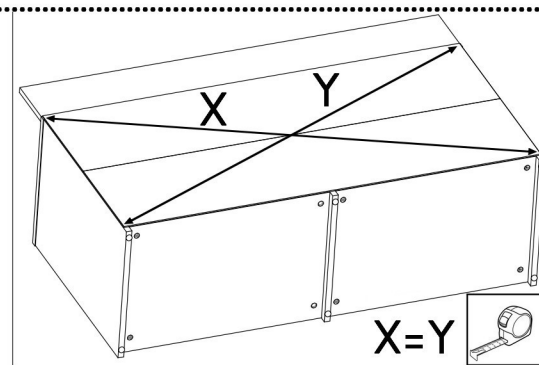
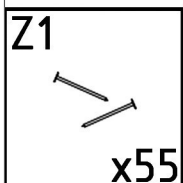
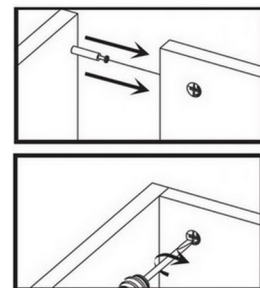
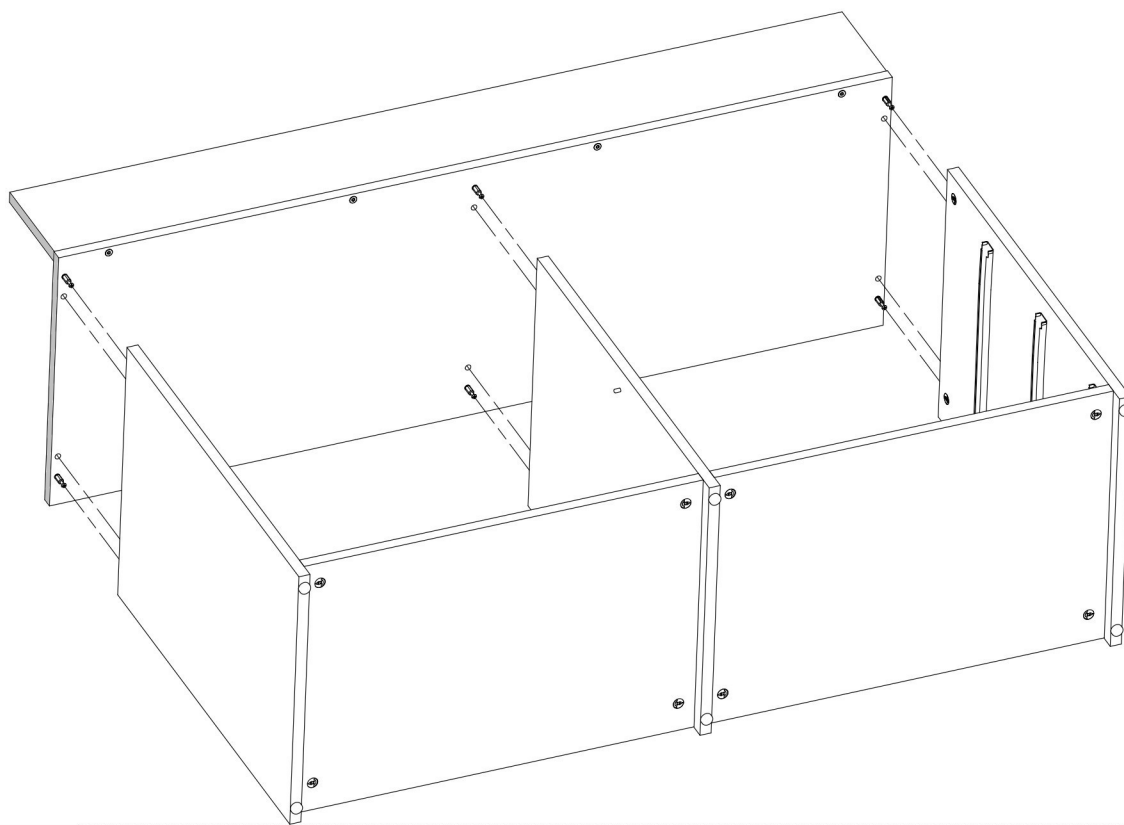
V16




5x16mm x2



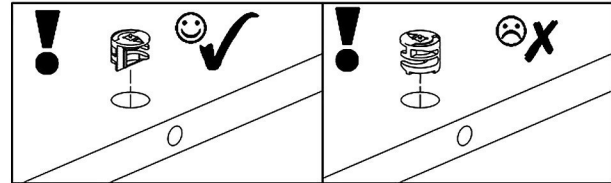
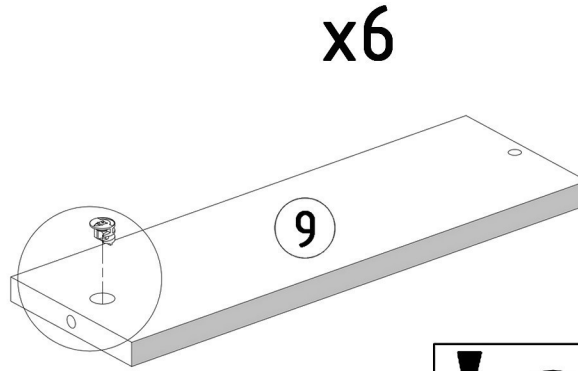
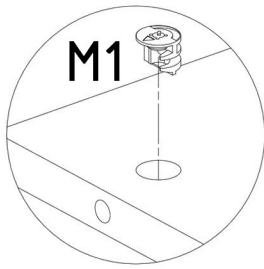




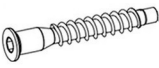
M1



12x15mm **x6**

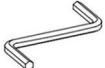


F1

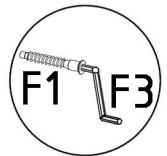
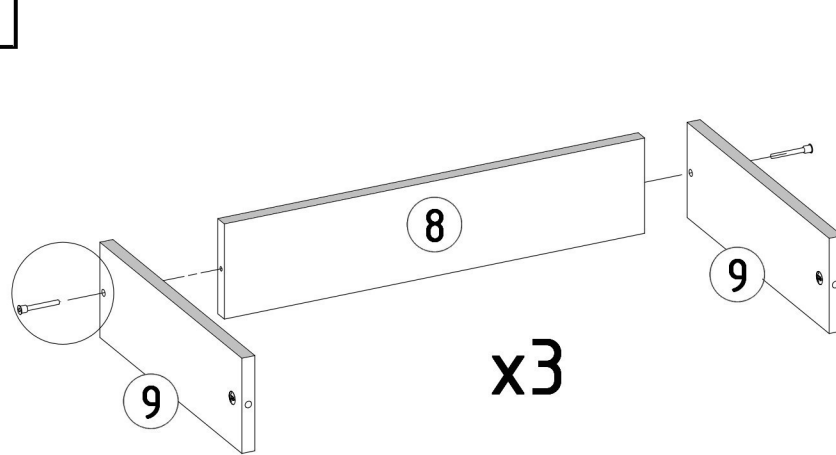


7x50mm **x6**


F3



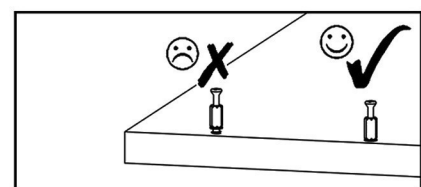
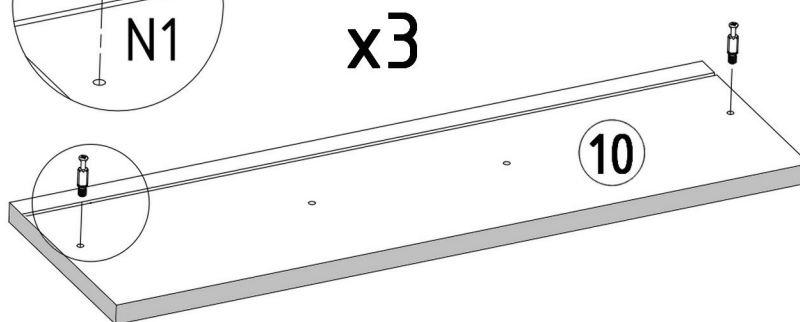
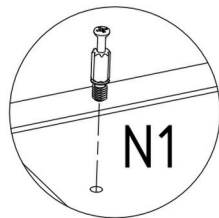
Hex 4mm

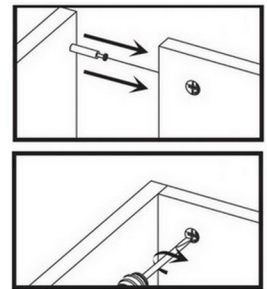
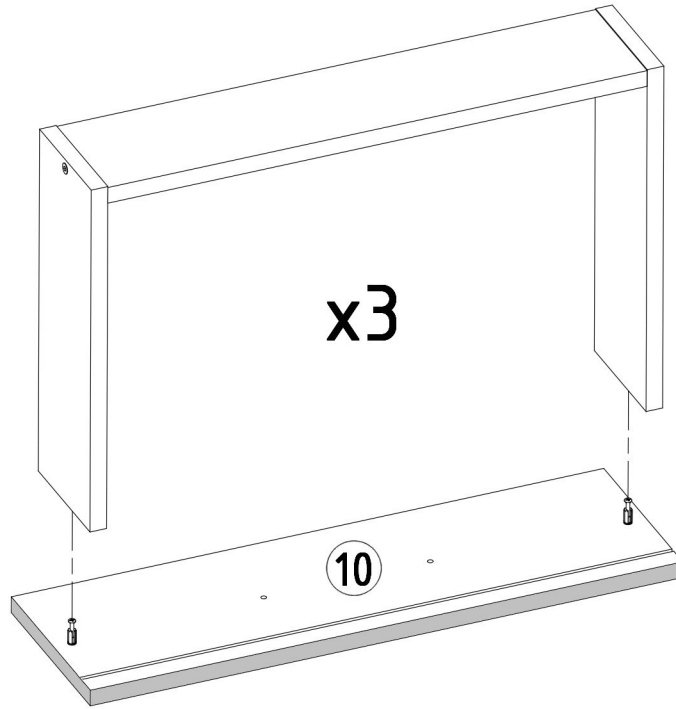




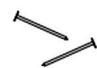

N1

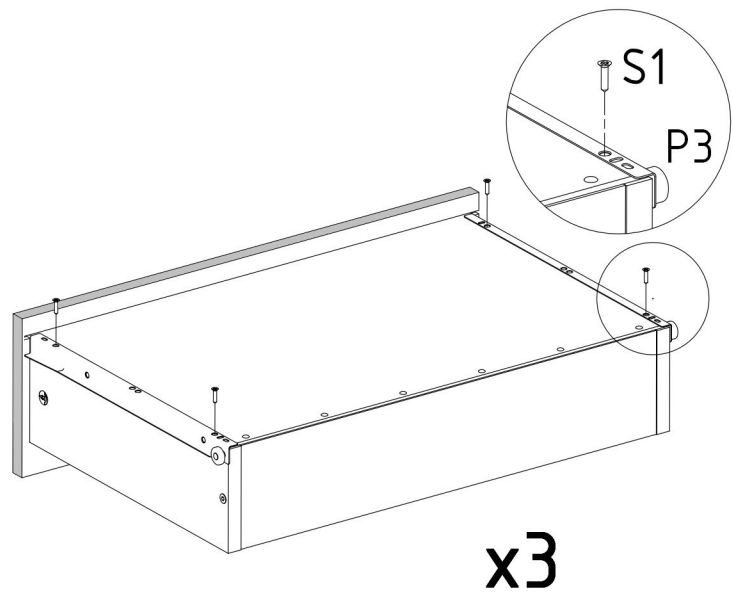
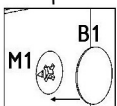
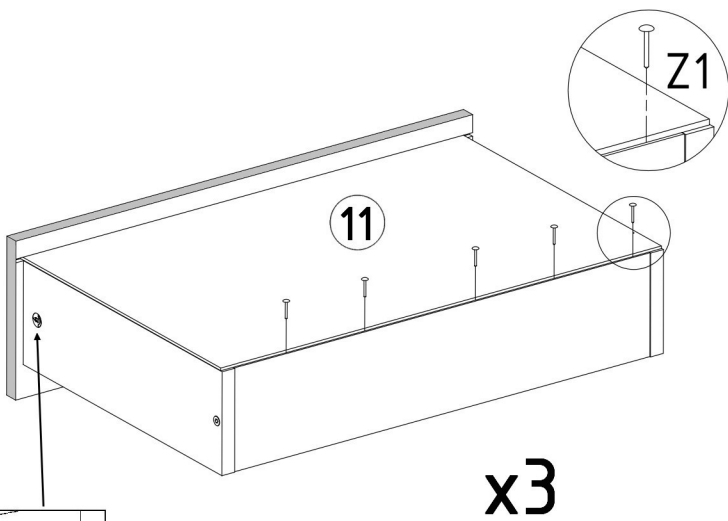
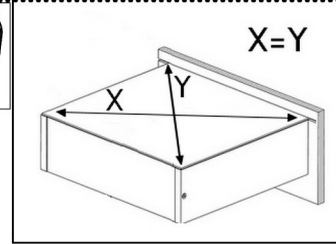
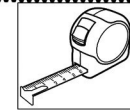


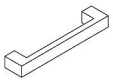
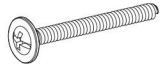
L=35mm **x6**

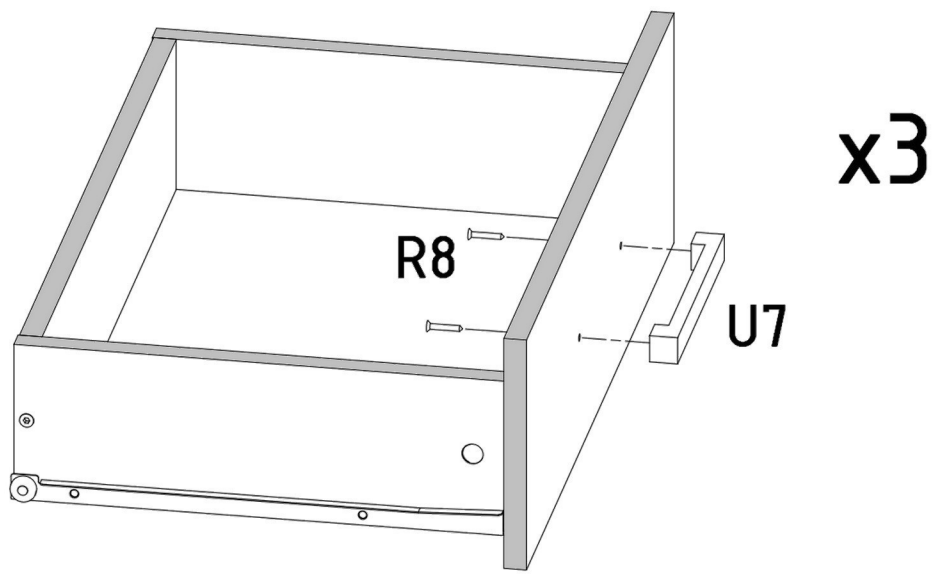





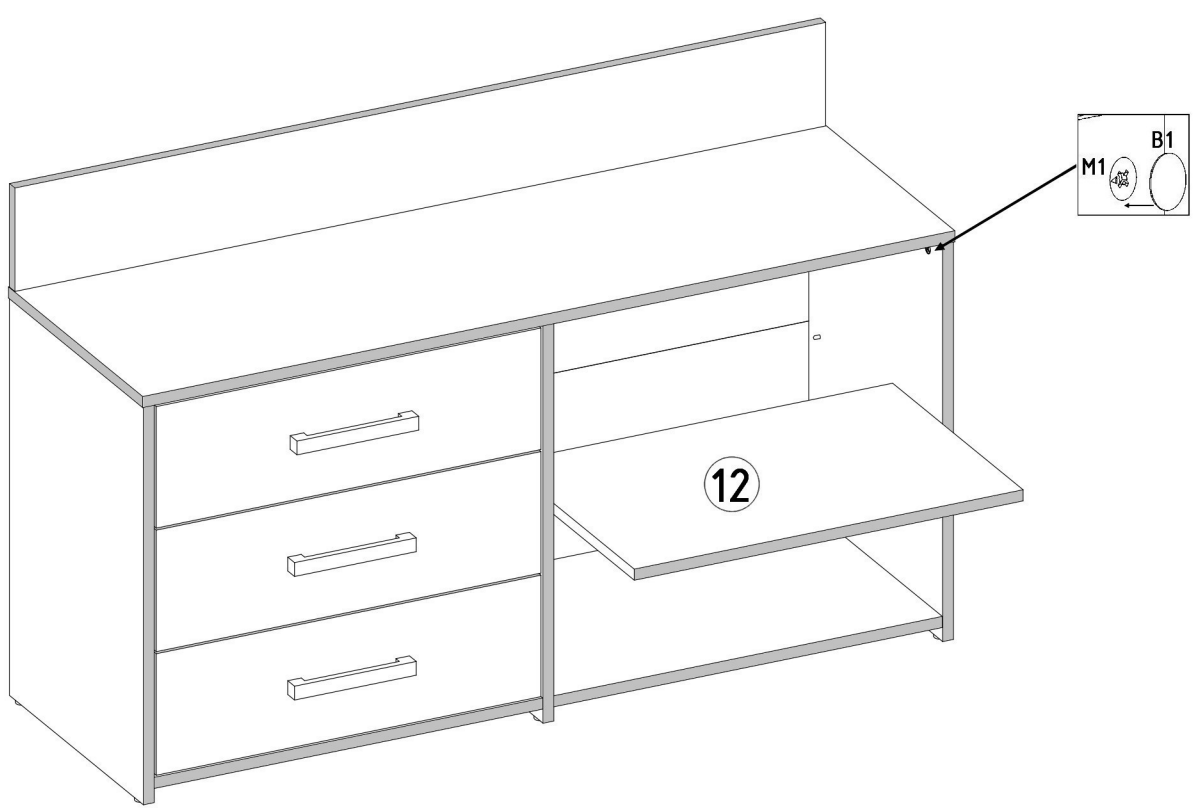
<p>P3</p>  <p>L=350mm x3</p>	<p>S1</p>  <p>3,5x16mm x12</p>	<p>Z1</p>  <p>x15</p>	<p>B1</p>  <p>ø17/4mm x6</p>
--	---	--	---

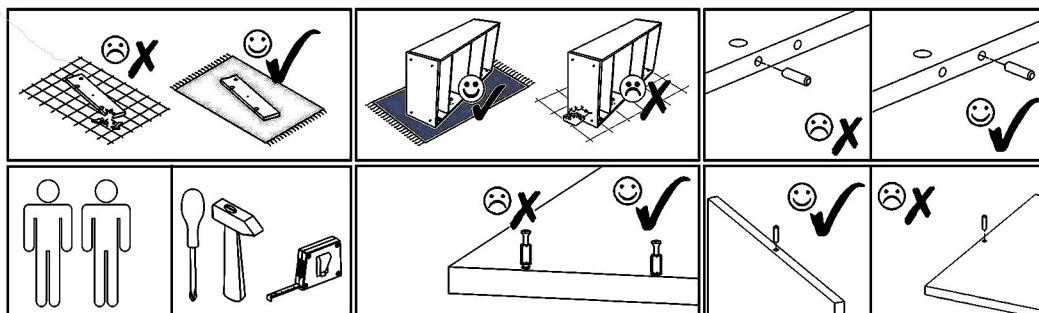
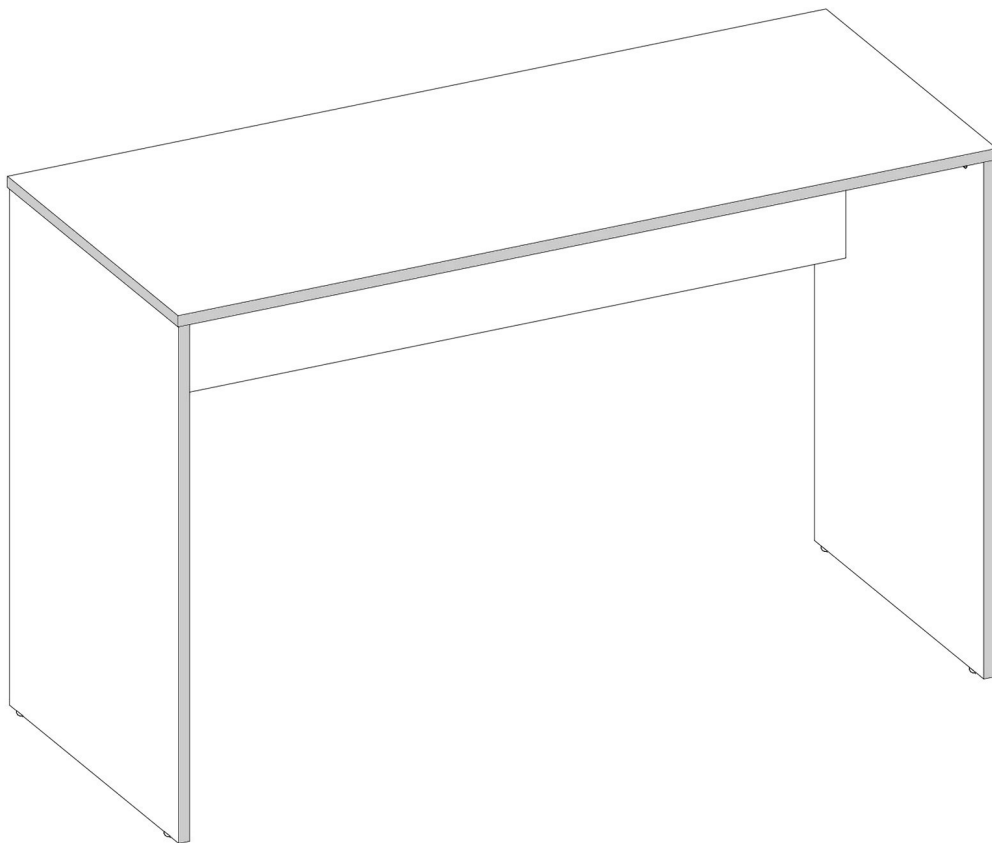




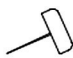




U7  L=180mm x3	R8  4x30mm x6
---	--

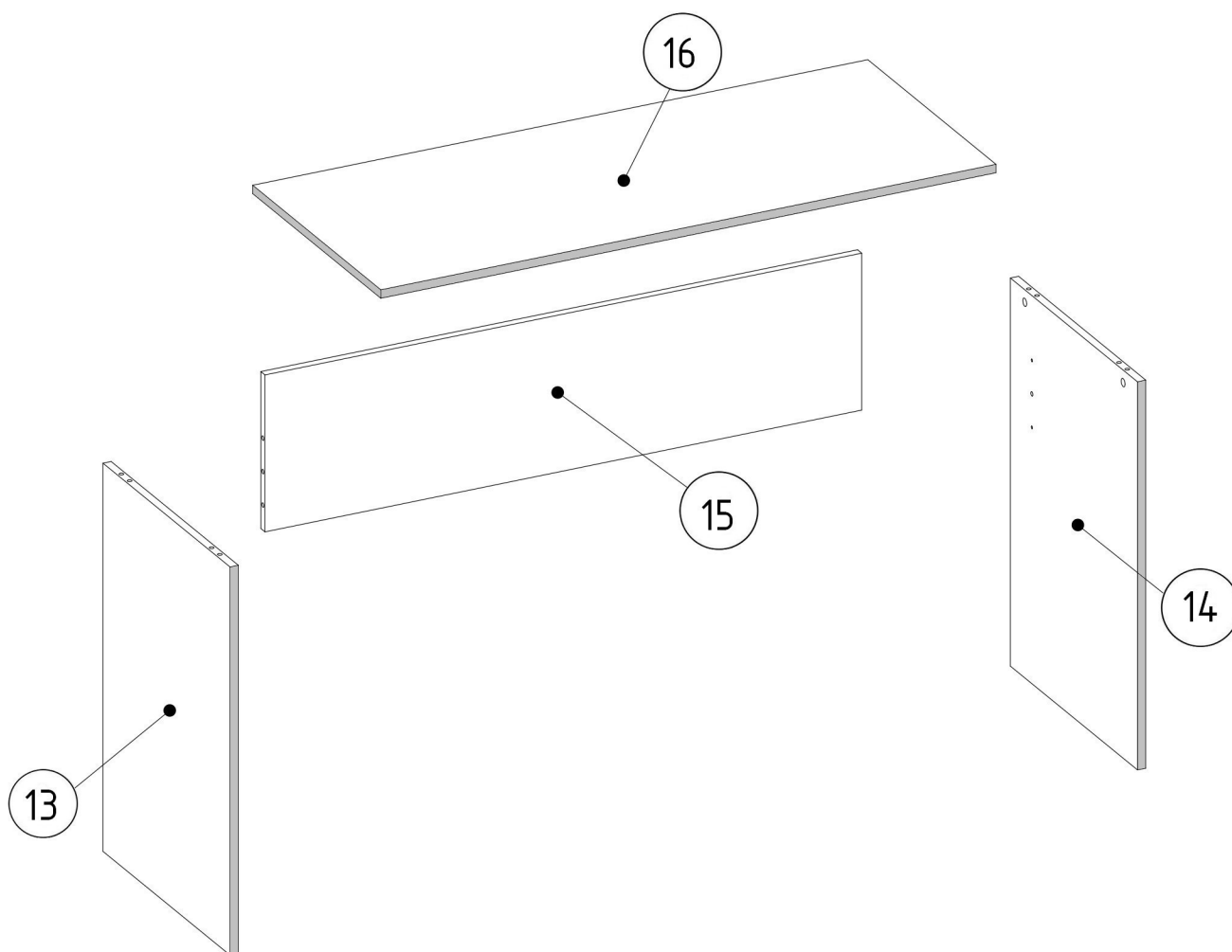


B1  ∅17/4mm x2
--




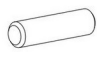


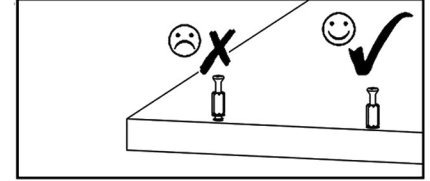
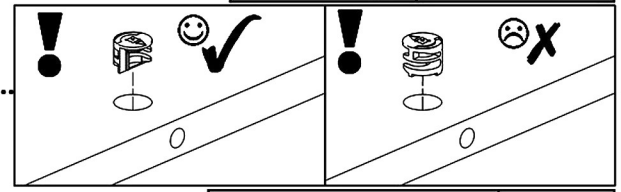
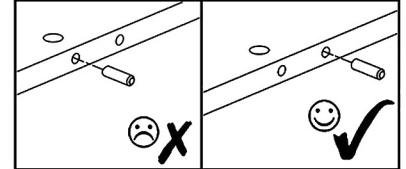
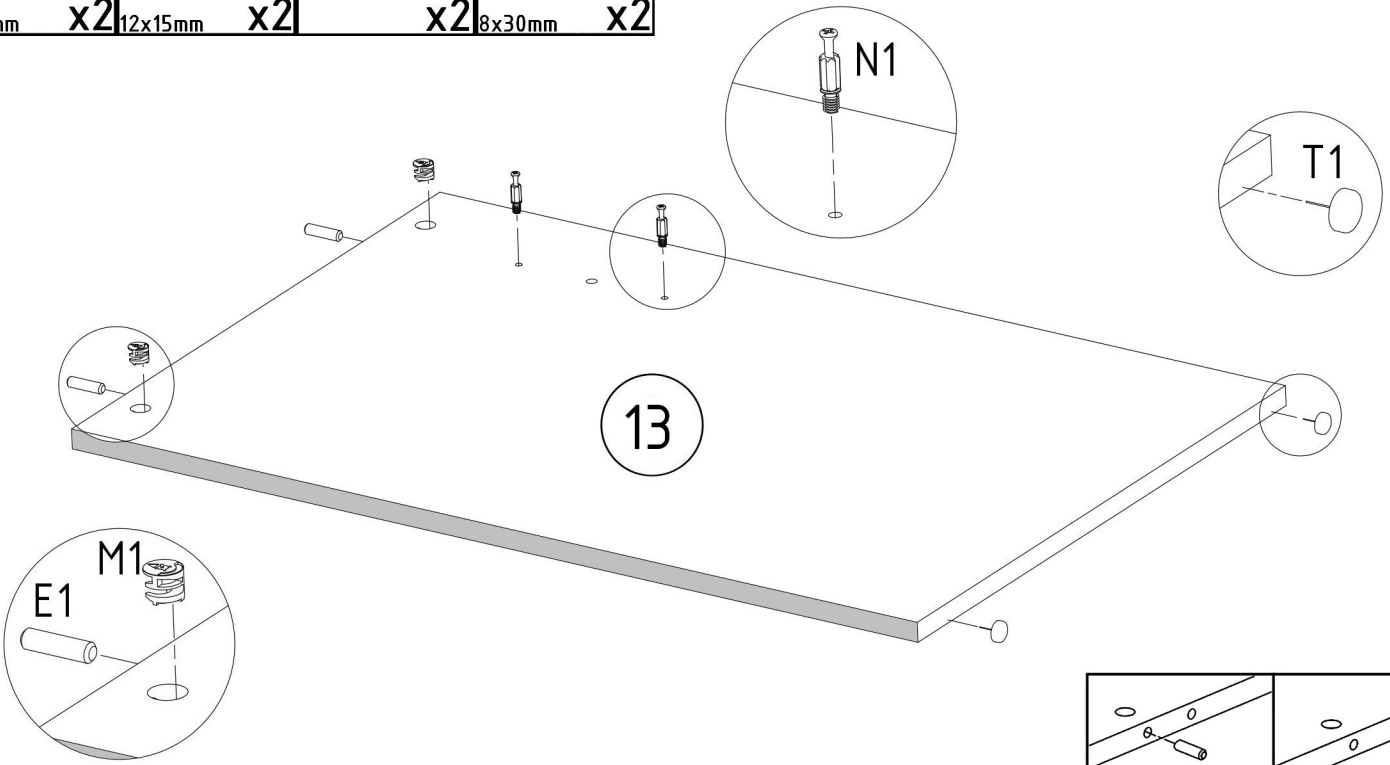





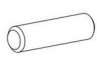
N1  L=35mm x8	M1  12x15mm x8	T1  x4	B1  ^B ø17/4mm x8	E1  8x30mm x6	B1  ^{S-A} ø17/4mm x8	B1  ^{Ant} ø17/4mm x8
---	---	---	---	--	--	---

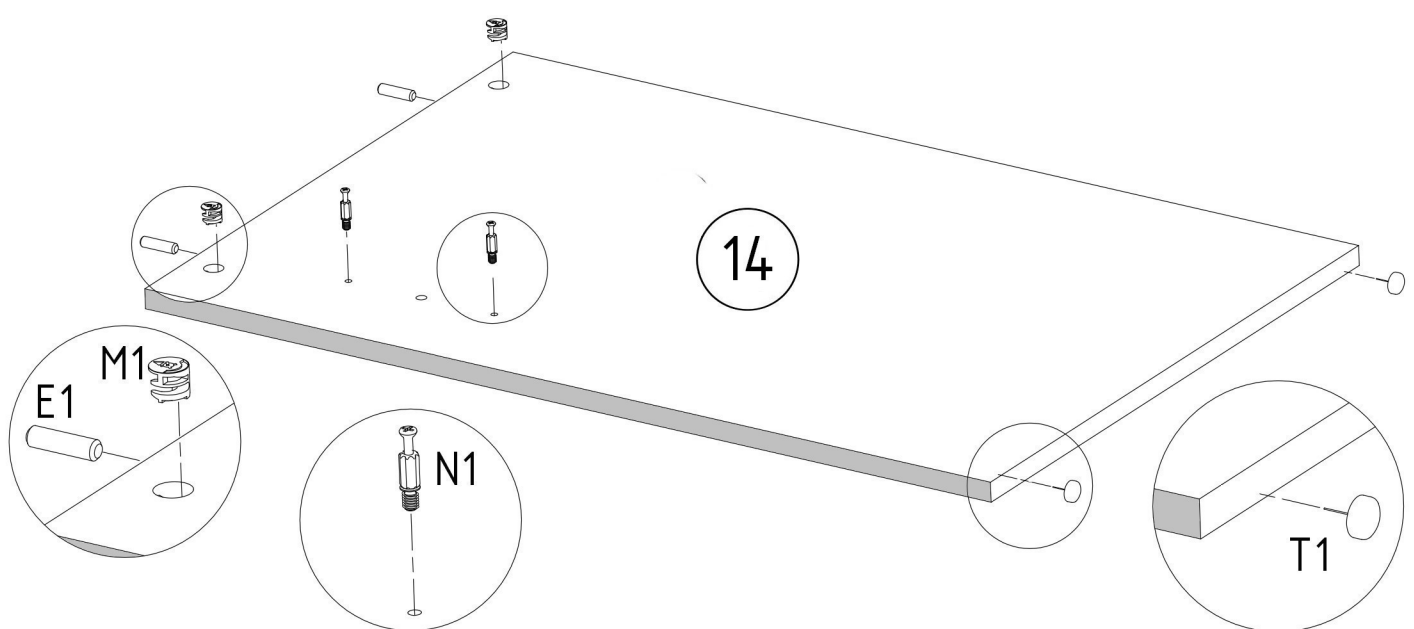




13	x	1
14	x	1
15	x	1
16	x	1

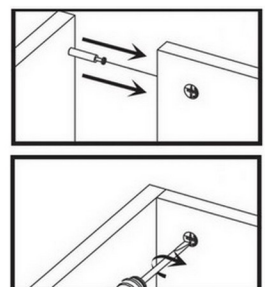
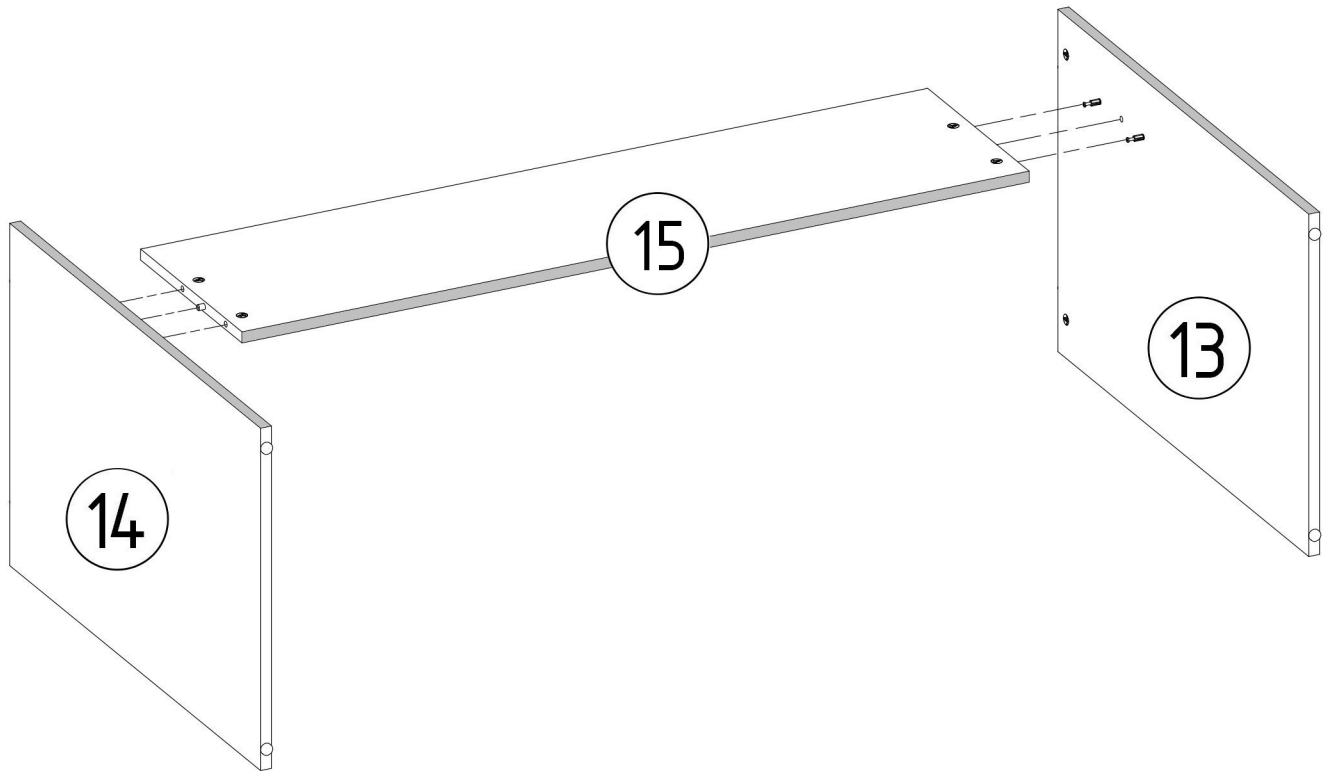
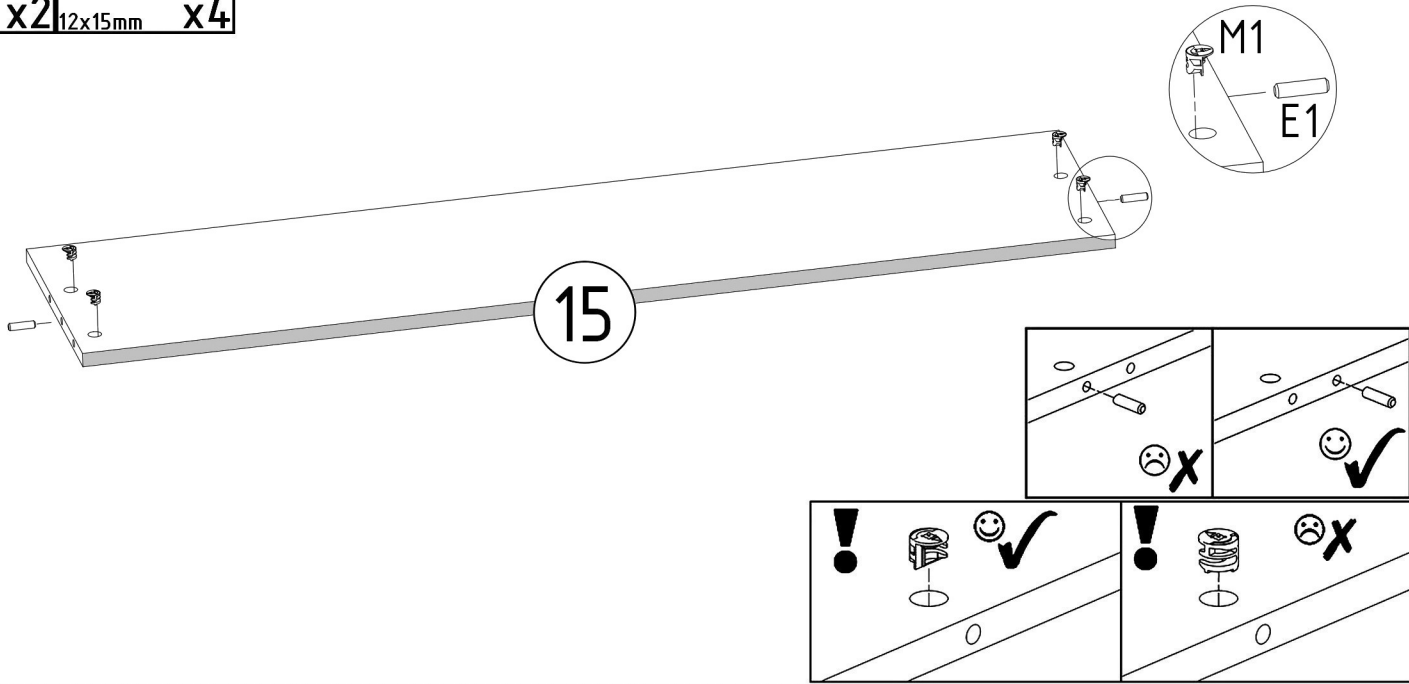
N1  L=35mm x2	M1  12x15mm x2	T1  x2	E1  8x30mm x2
--	--	--	---



N1  L=35mm x2	M1  12x15mm x2	T1  x2	E1  8x30mm x2
--	--	--	---

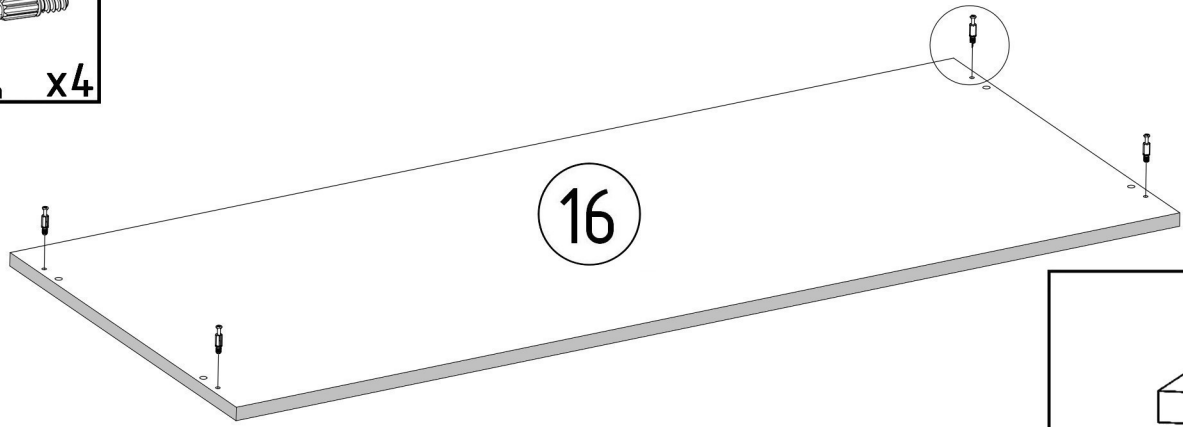


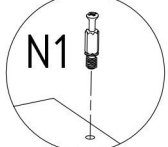
E1  8x30mm x2	M1  12x15mm x4
---	---

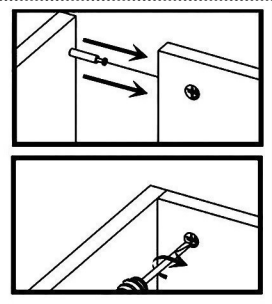
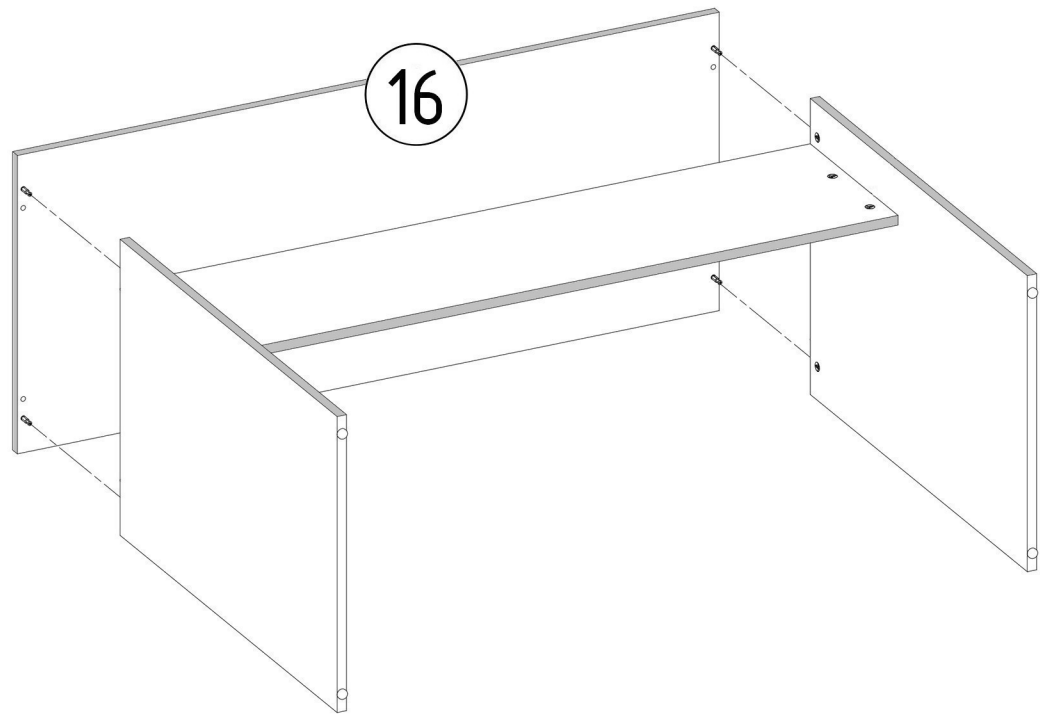
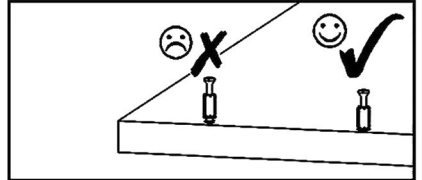



N1

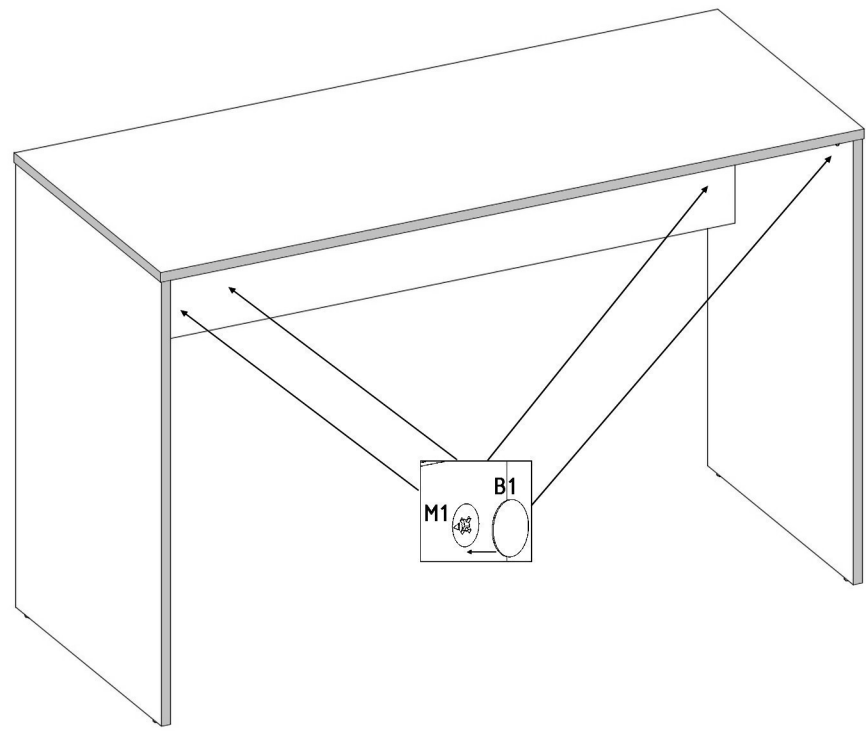
L=35mm **x4**



N1




B1

ø17/4mm **x8**



M1 **B1**
