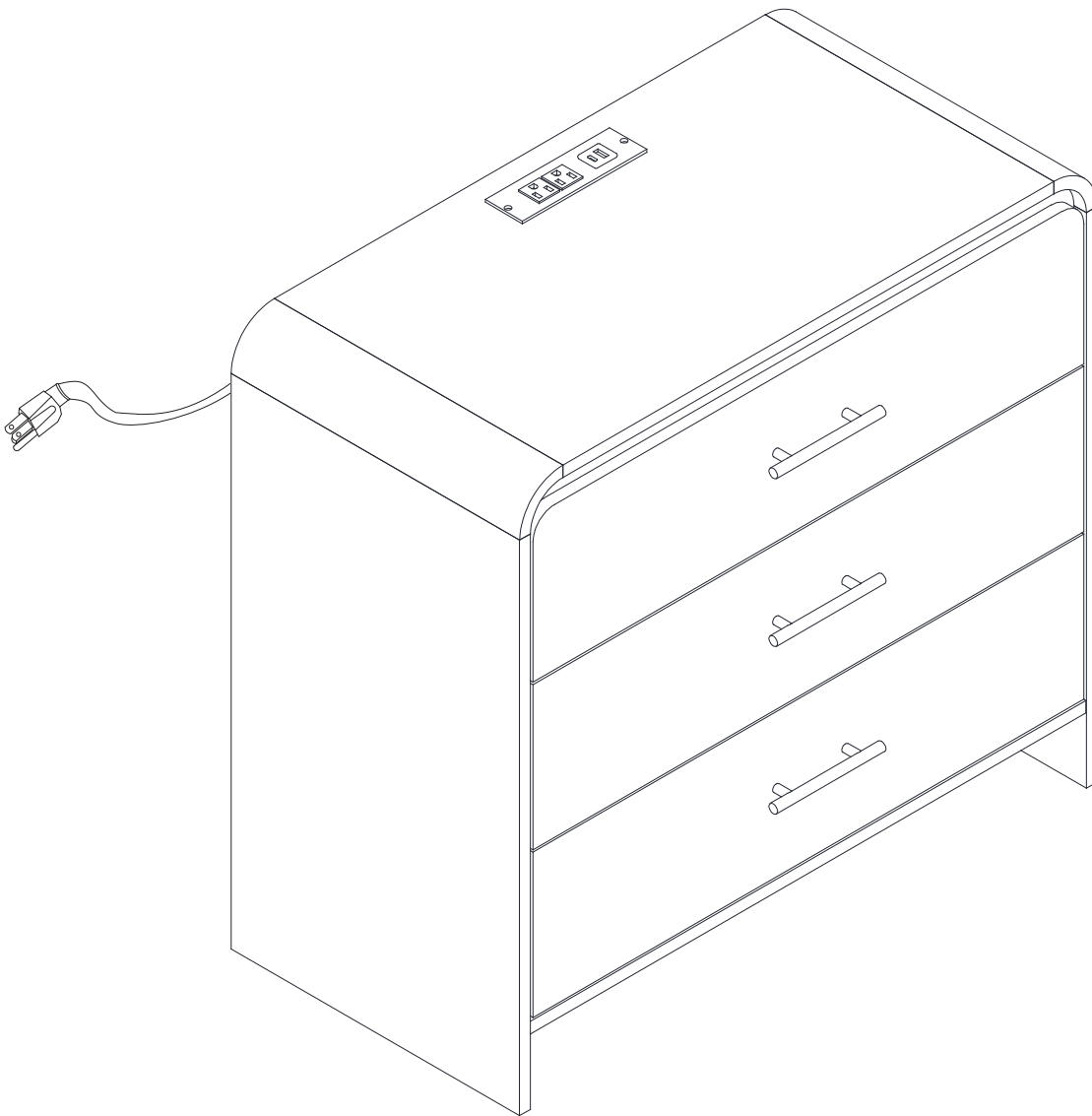


Installation & Assembly



Warm Tips:

If you experience any issues with damaged or missing parts, or notice a quality defect, we kindly ask you to share the part number along with photos of the issue. Once we have reviewed and confirmed the details, we will provide appropriate solutions, including arranging a replacement. We sincerely appreciate your understanding and patience! This instruction booklet contains important safety information. please read and keep for future reference.

TIPS BEFORE YOU START

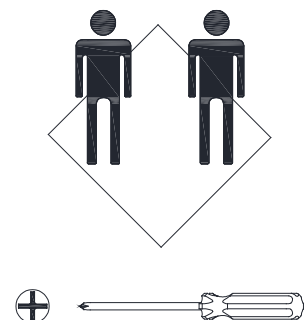
1. Before assembling your furniture, please check that all parts are present and laid out.
2. Before initiating each assembly step, please confirm required parts are identified.
3. Please ensure adequate space and assistance for safe assembly of large items.
4. We recommend assembling the product near its intended placement area to avoid relocation after assembly.
5. We recommend to place components on soft surfaces (e.g., carpet, blanket) during assembly to prevent damage of the item.
6. Please do not overtighten any fittings, as this may damage the product. We recommend hand-tightening rather than using power tools.
7. Please position fully assembled product on flat, stable surfaces with even support.
8. Please do not stand on or use this product as a step ladder.
9. Product is designed exclusively for indoor household use in non-industrial environments.
10. Please lift with proper body mechanics to prevent injury and product damage.

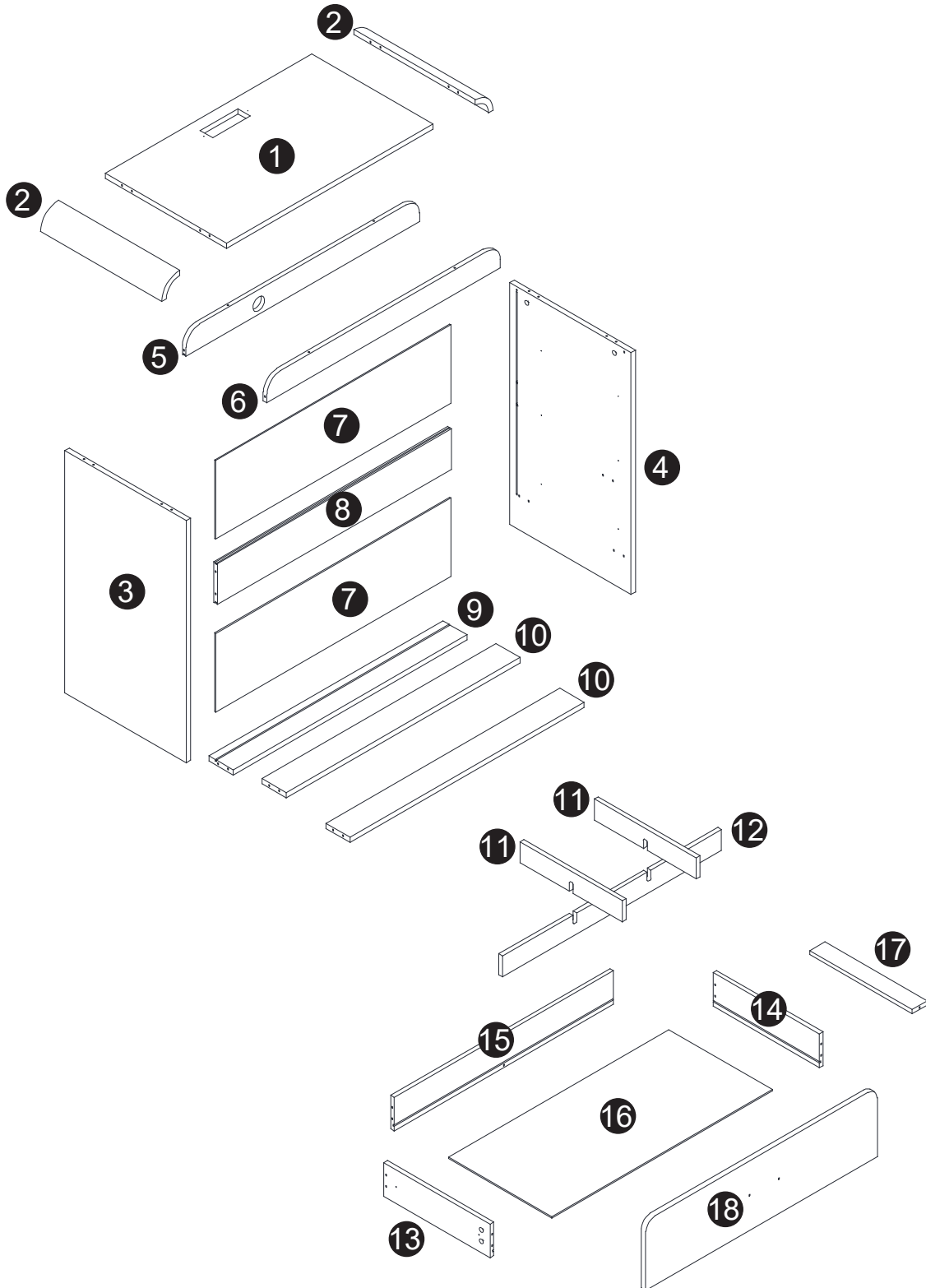
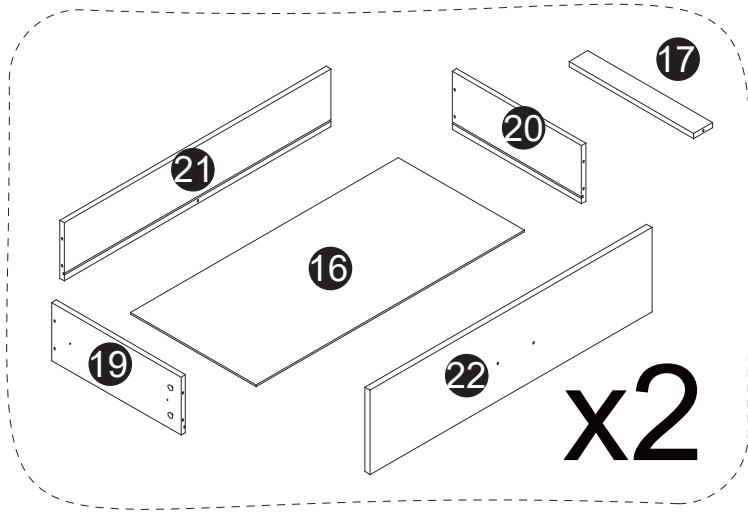
CARE AND MAINTENANCE OF YOUR FURNITURE

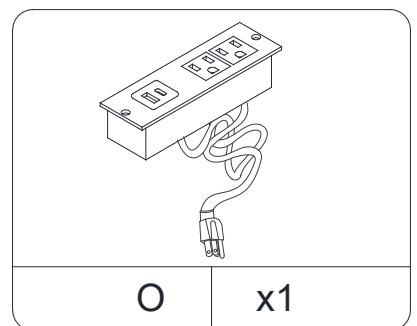
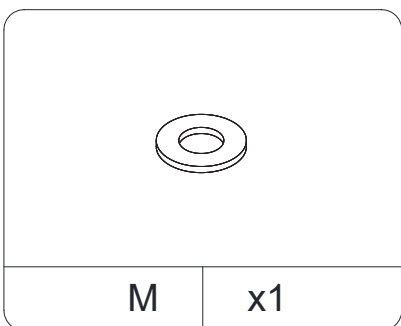
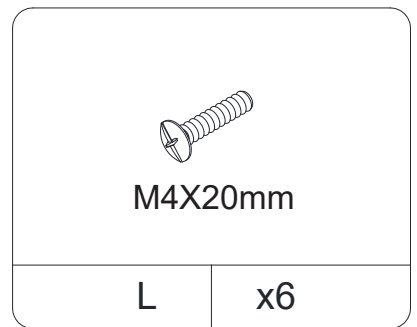
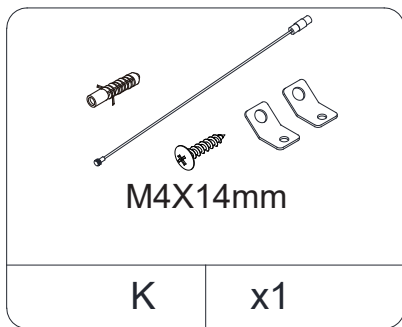
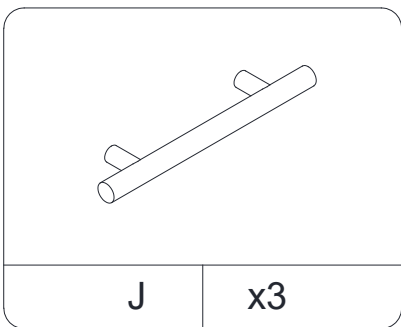
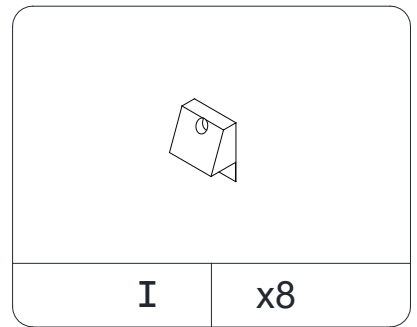
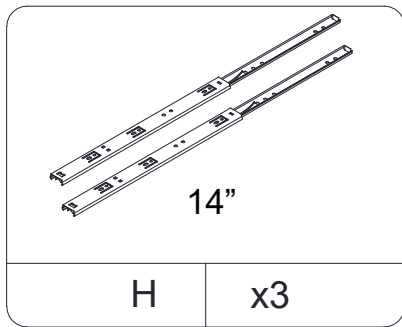
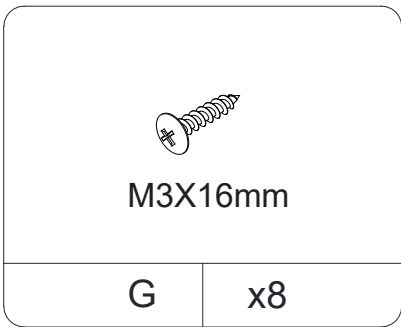
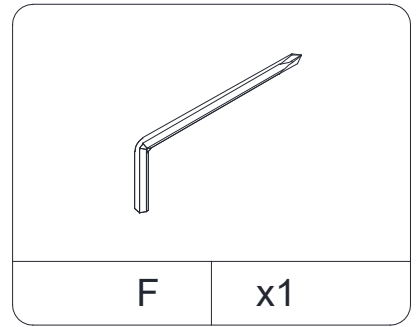
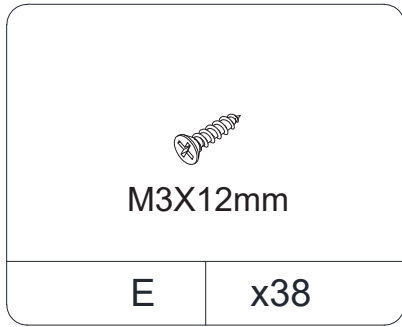
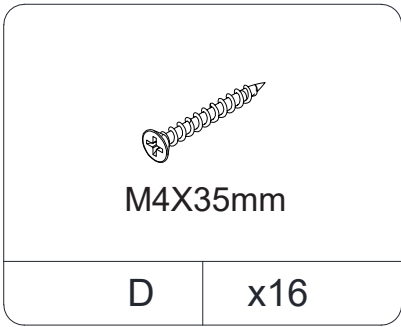
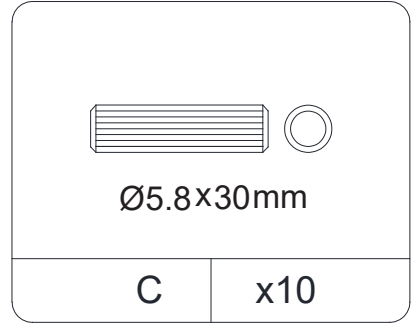
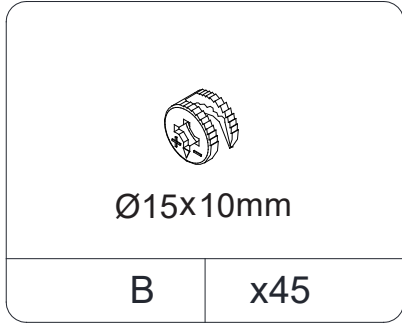
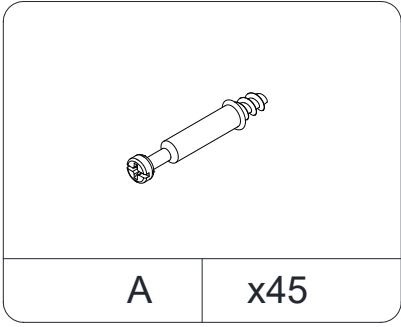
- ☑ Periodically inspect and retighten all fittings as needed to maintain structural integrity.
- ☑ Periodically inspect all screws and retighten if necessary to maintain product stability.
- ☑ For optimal glass cleaning, apply a dedicated glass cleaner using a microfiber cloth to prevent streaks.
- ☑ Avoid liquid contact to prevent structural warping and surface delamination; immediately wipe any spills.
- ☑ Avoid placing hot objects (e.g., hot beverages) directly onto surfaces to prevent thermal shock and permanent discoloration.
- ☑ Lift the unit with multiple personnel using proper technique; dragging or pushing risks structural failure and injury.

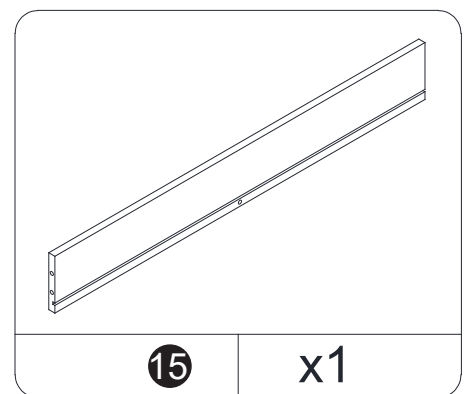
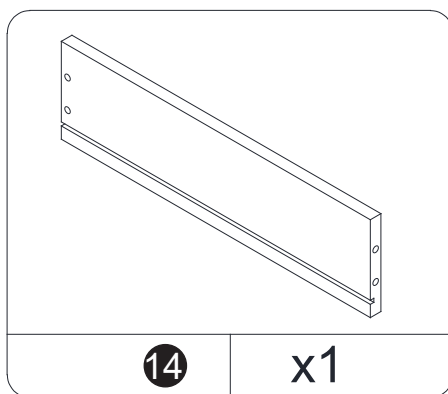
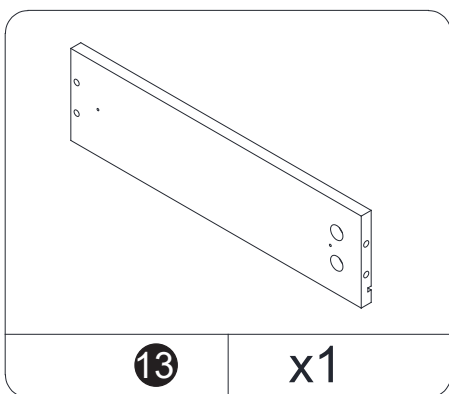
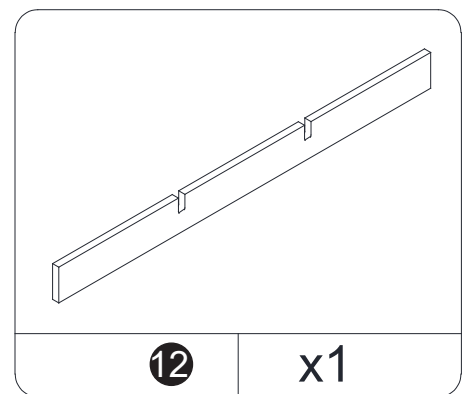
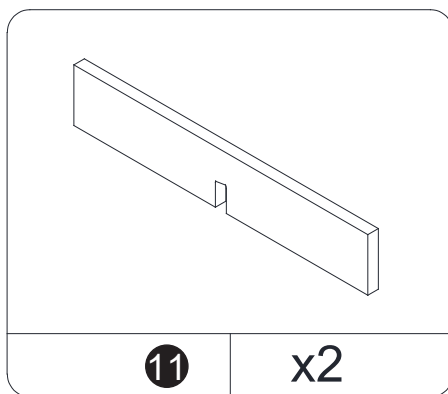
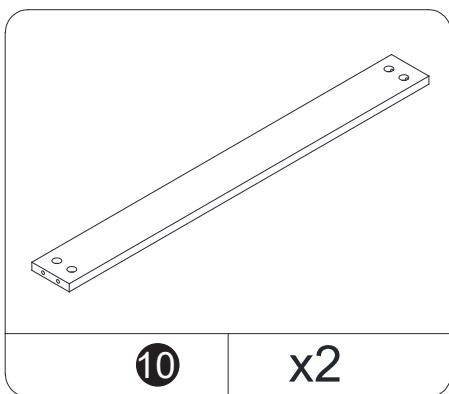
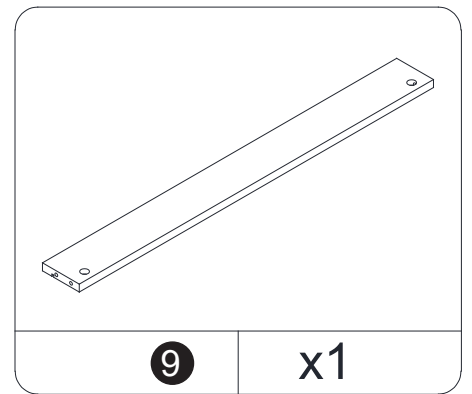
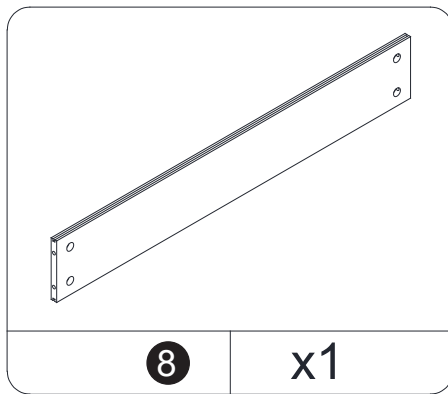
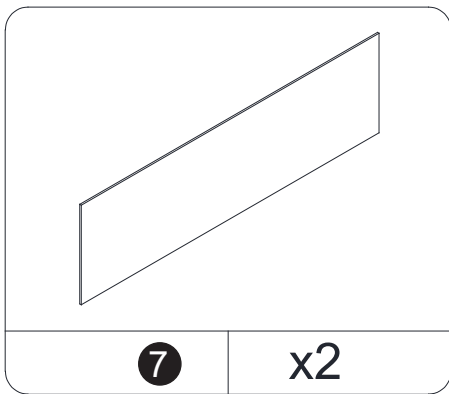
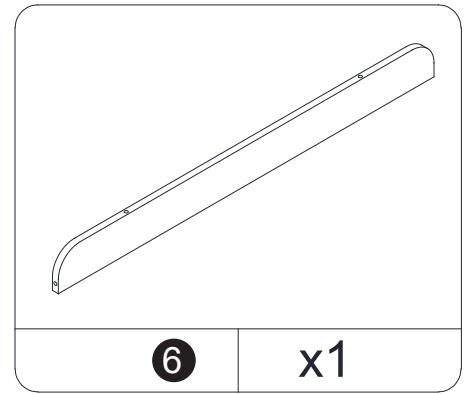
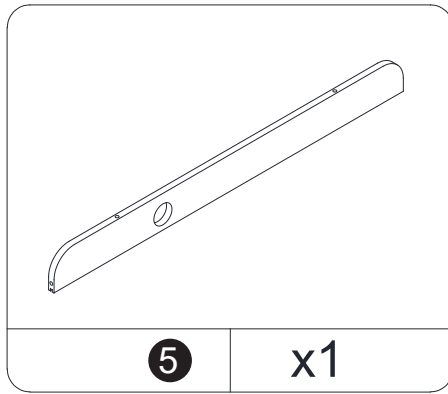
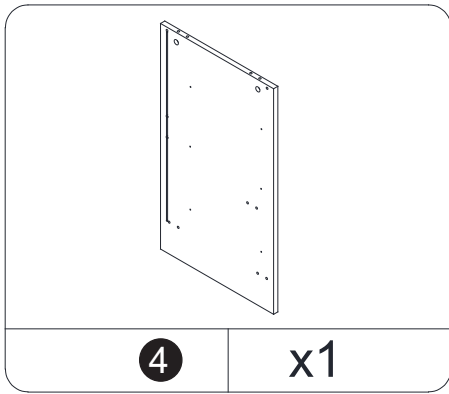
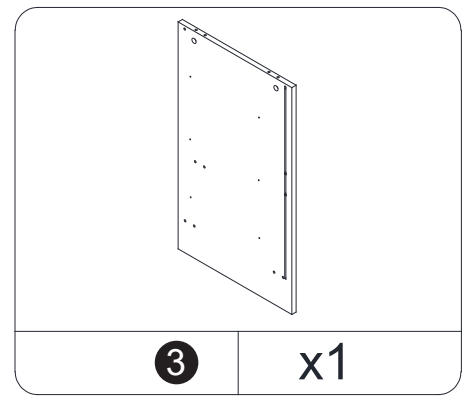
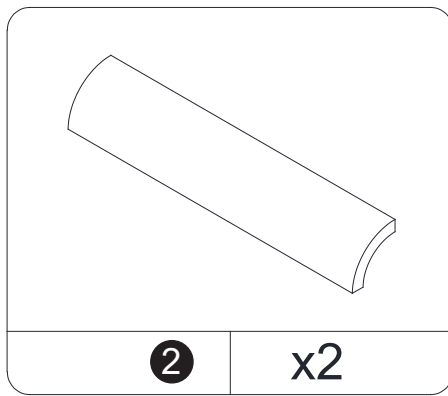
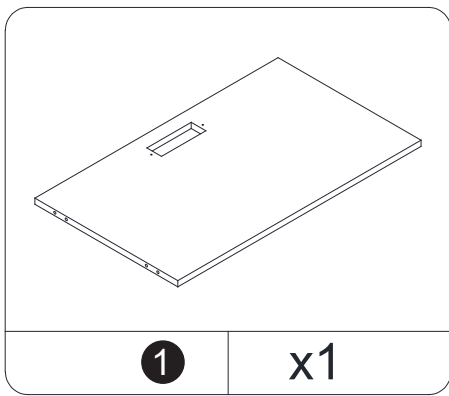
ASSEMBLY REQUIREMENTS

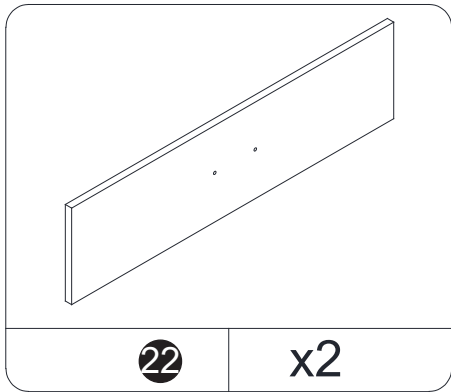
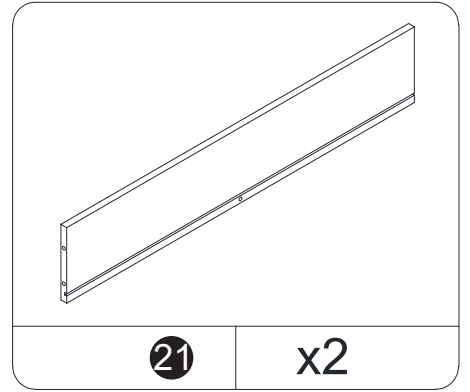
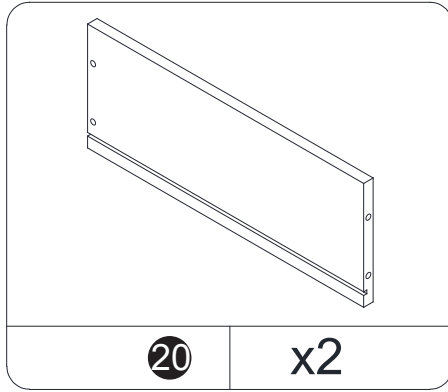
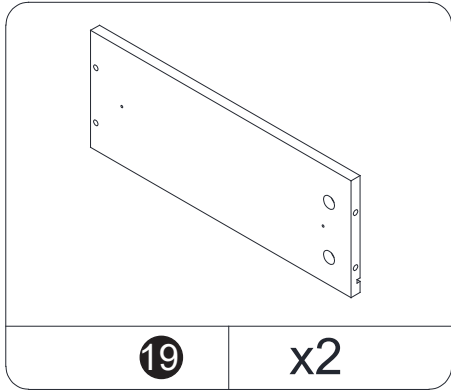
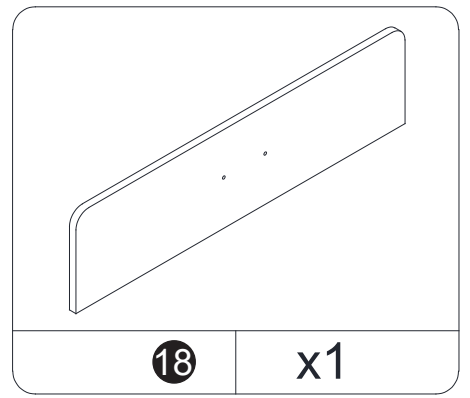
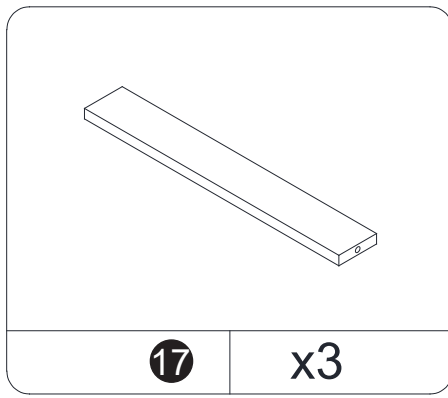
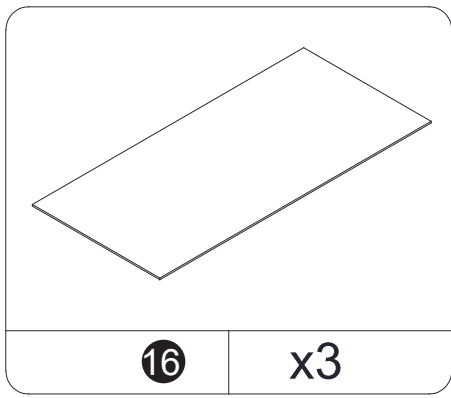
- ☑ Equipment: phillips head screwdriver.
- ☑ 2 x adults required.
- ☑ 2m x 2m assembly space required.
- ☑ 1.5 hour assembly time approx.





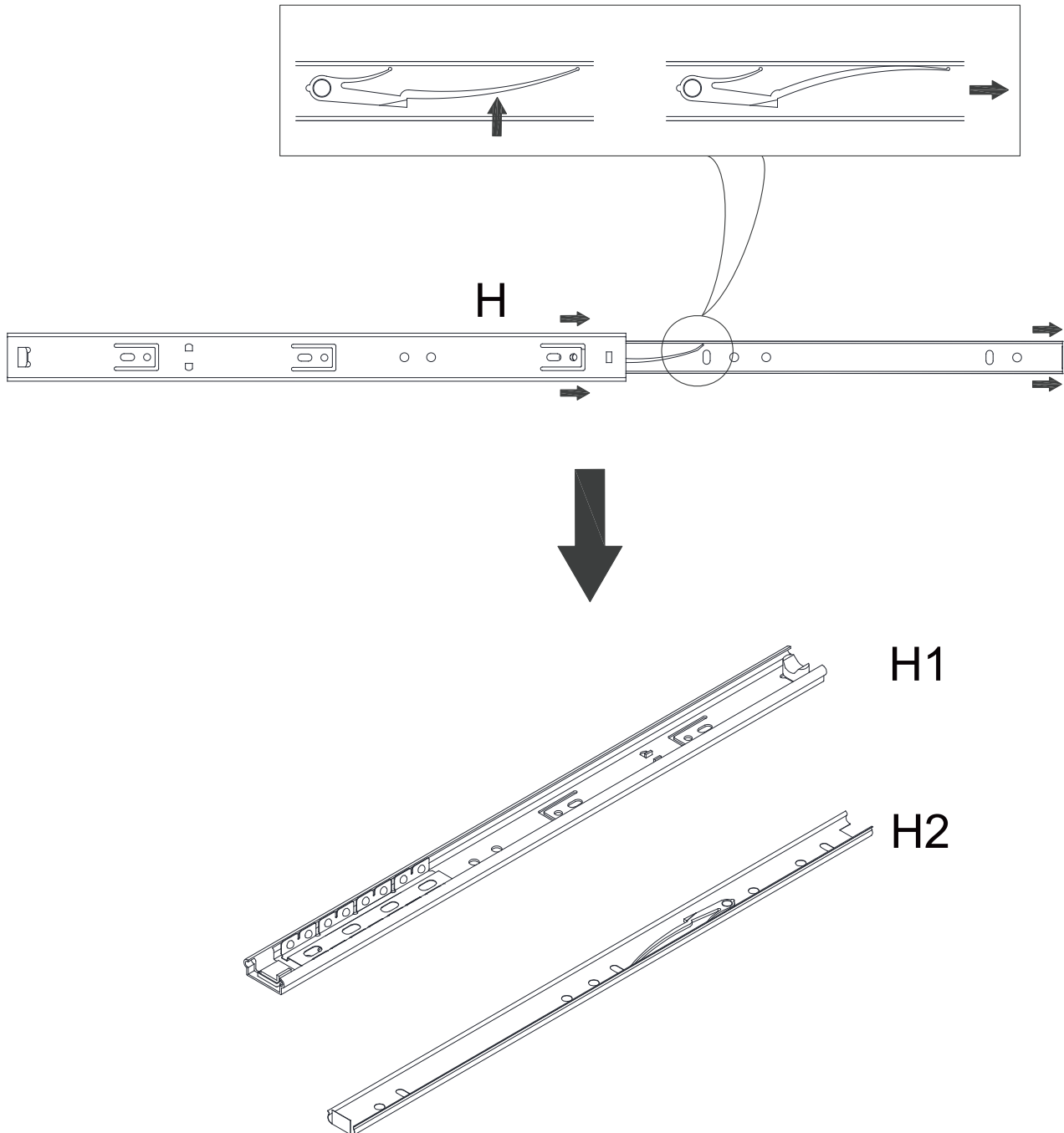






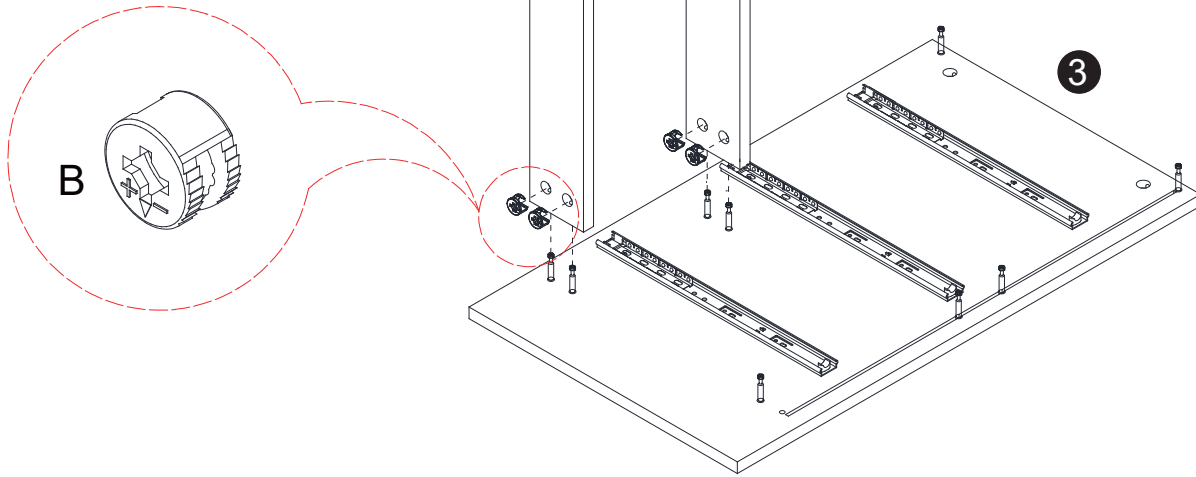
Hardware List

Push plastic lever and slide out piece to be used for part H1 and H2 later


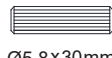


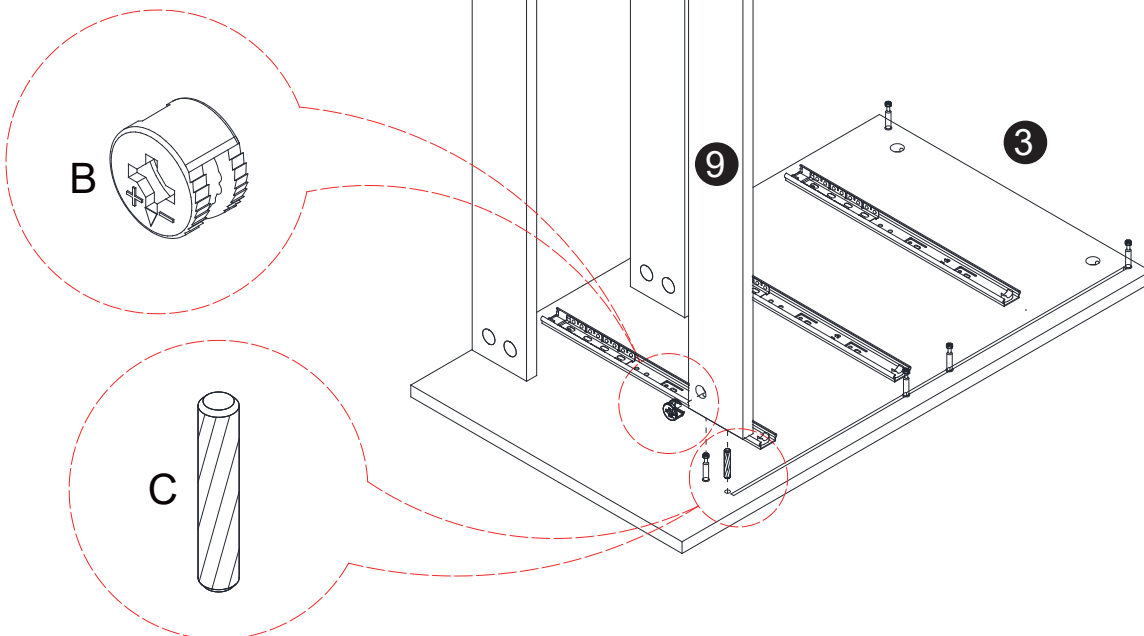
Step 3

B	 Ø15x10mm	X4
----------	---	-----------



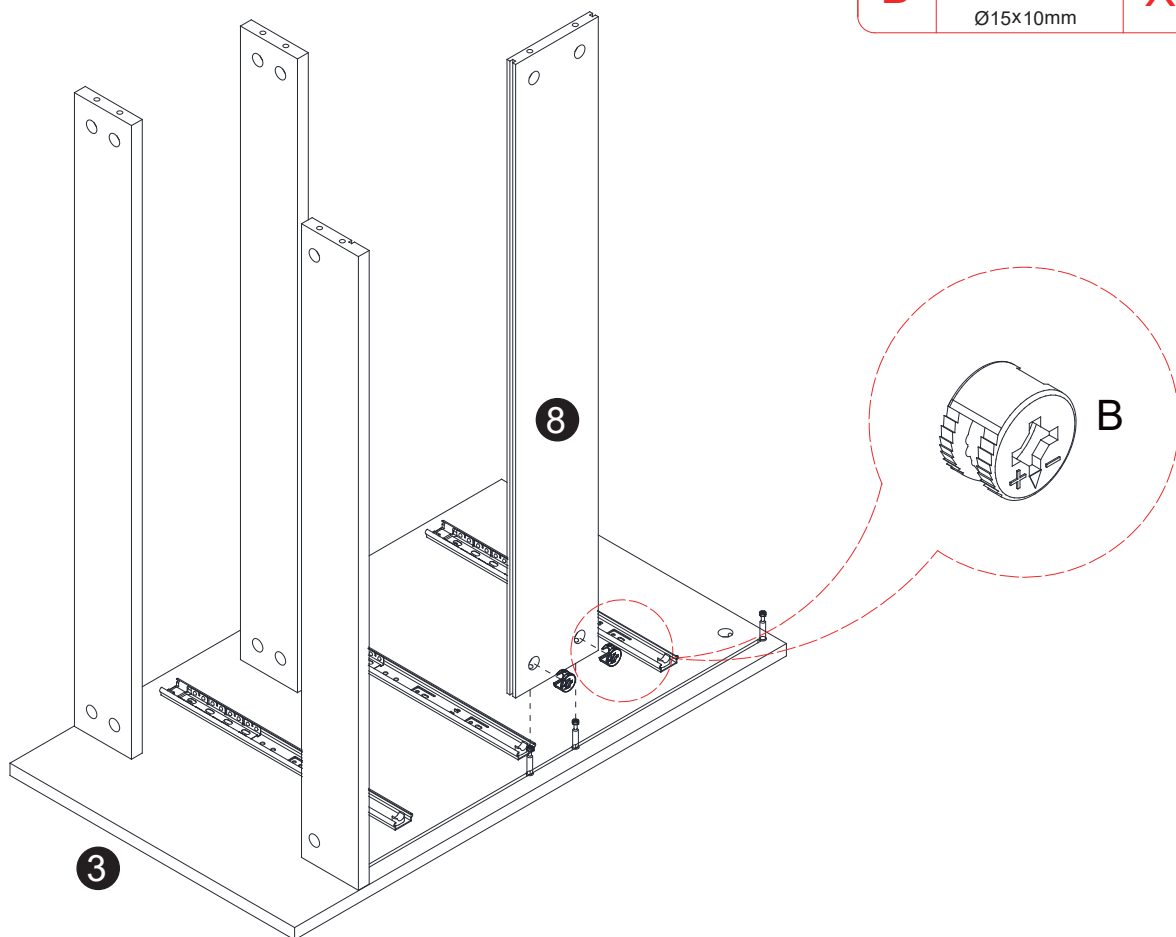
Step 4

B	 Ø15x10mm	X1
C	 Ø5.8x30mm	X1

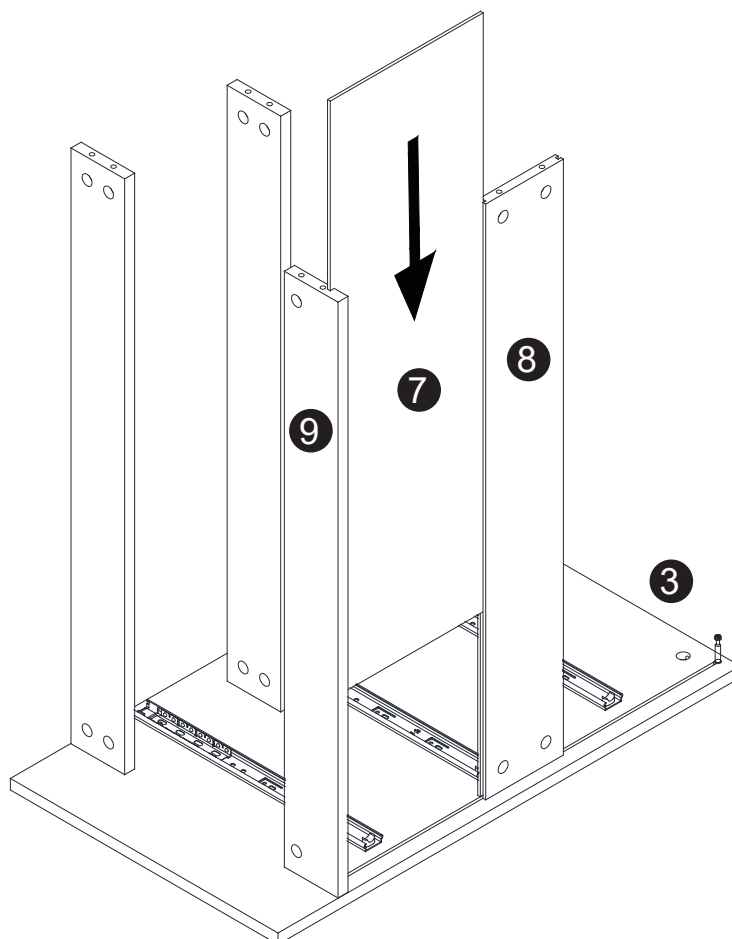


Step 5

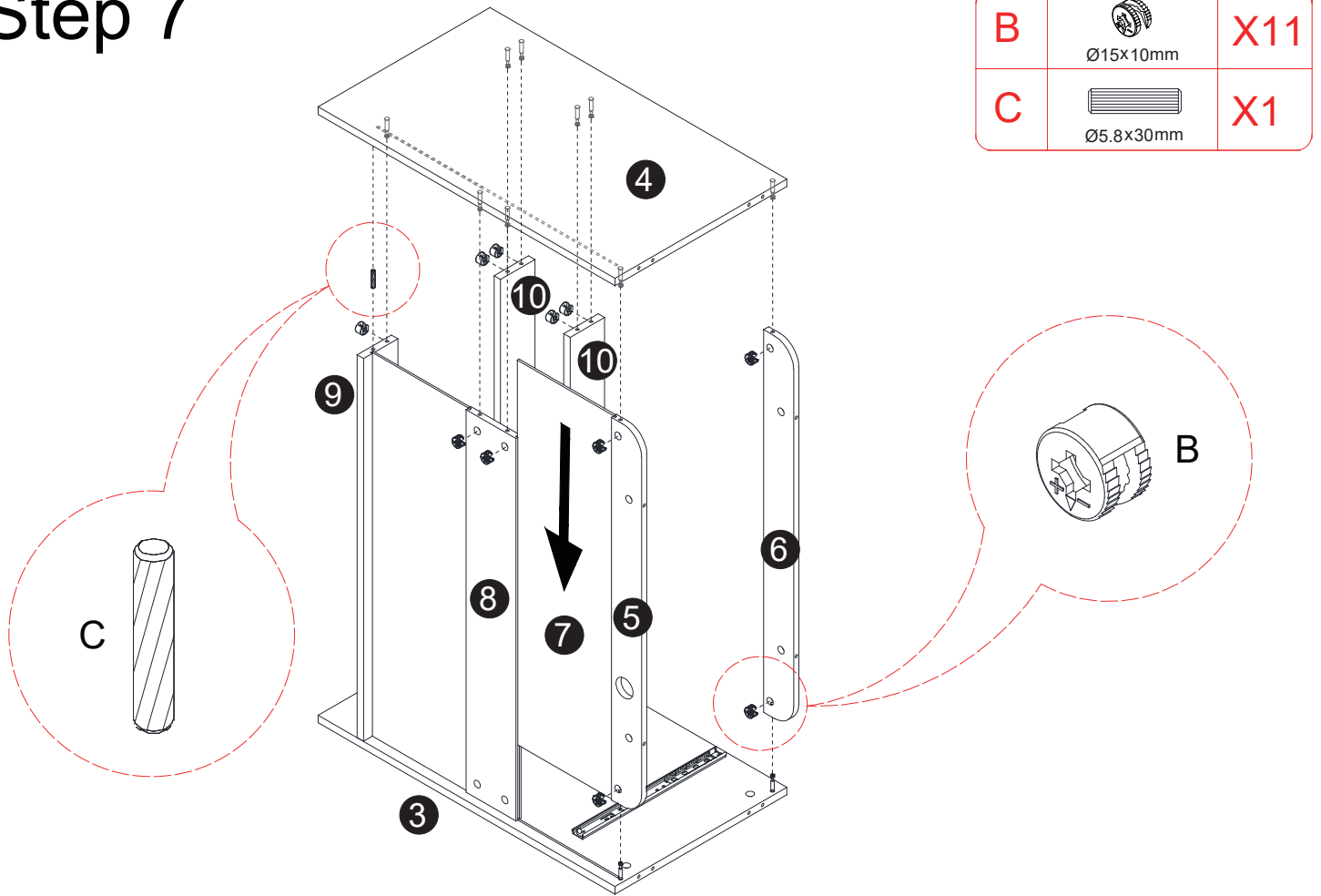
B	 Ø15x10mm	X2
----------	---	-----------



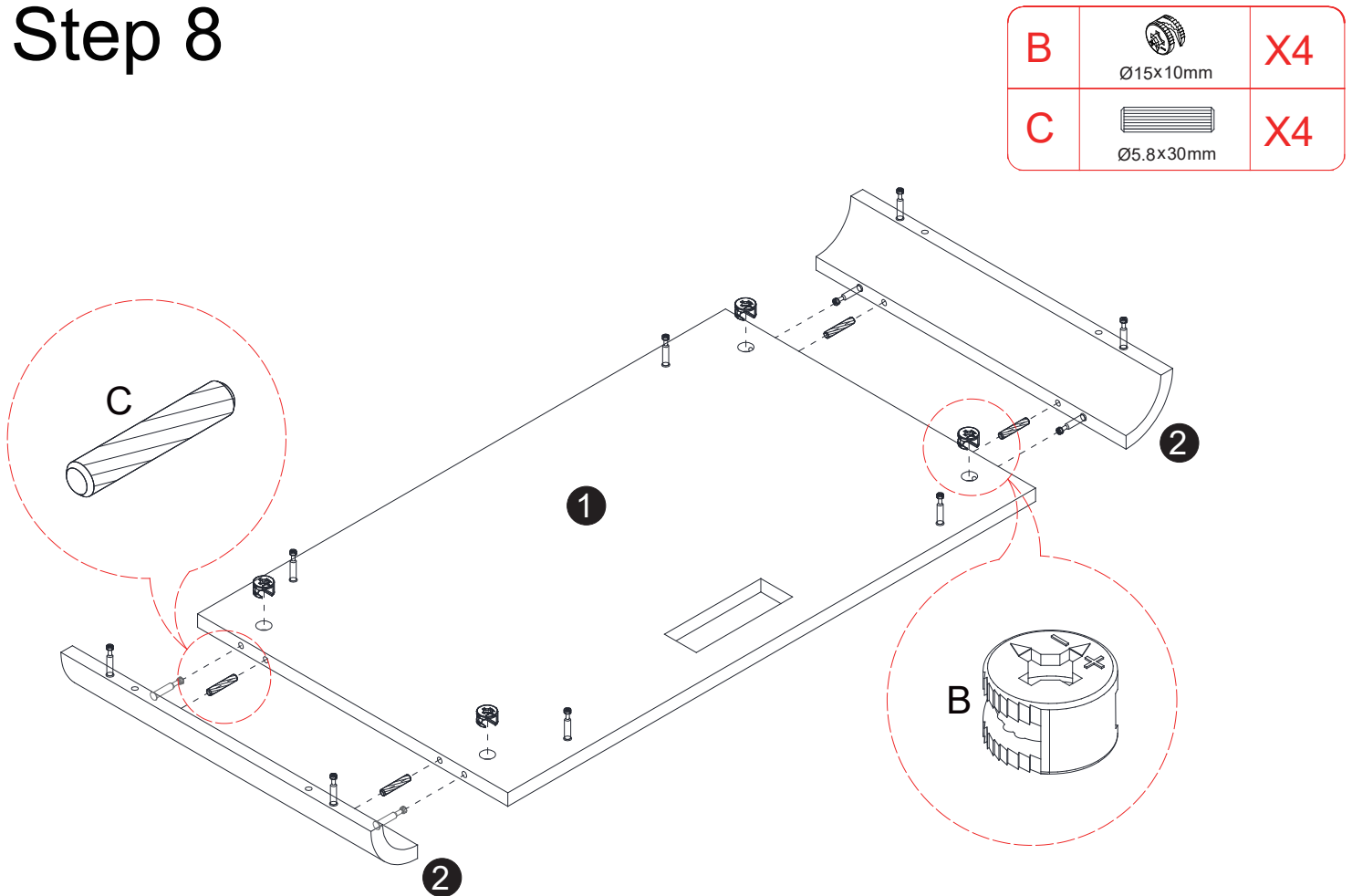
Step 6



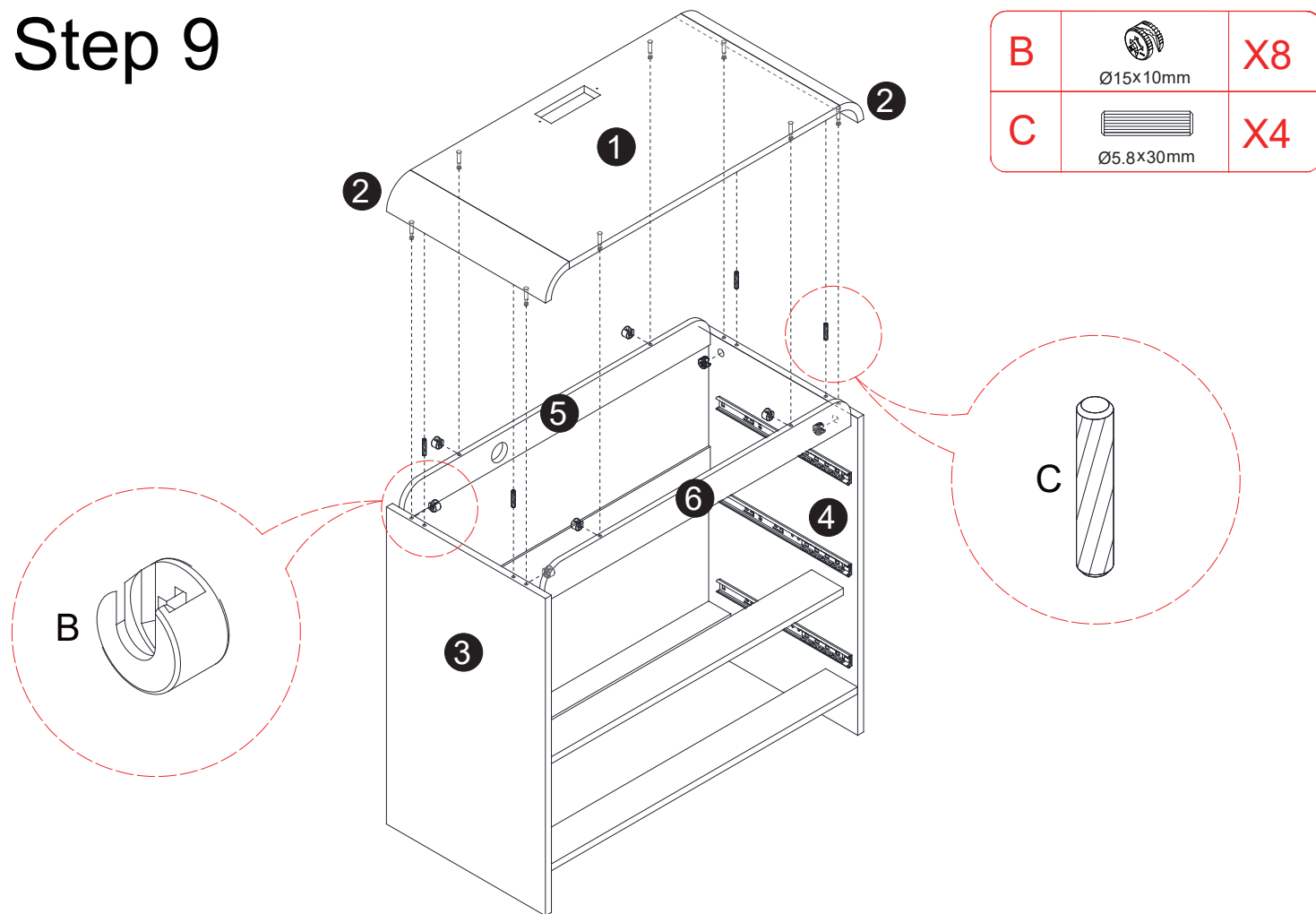
Step 7



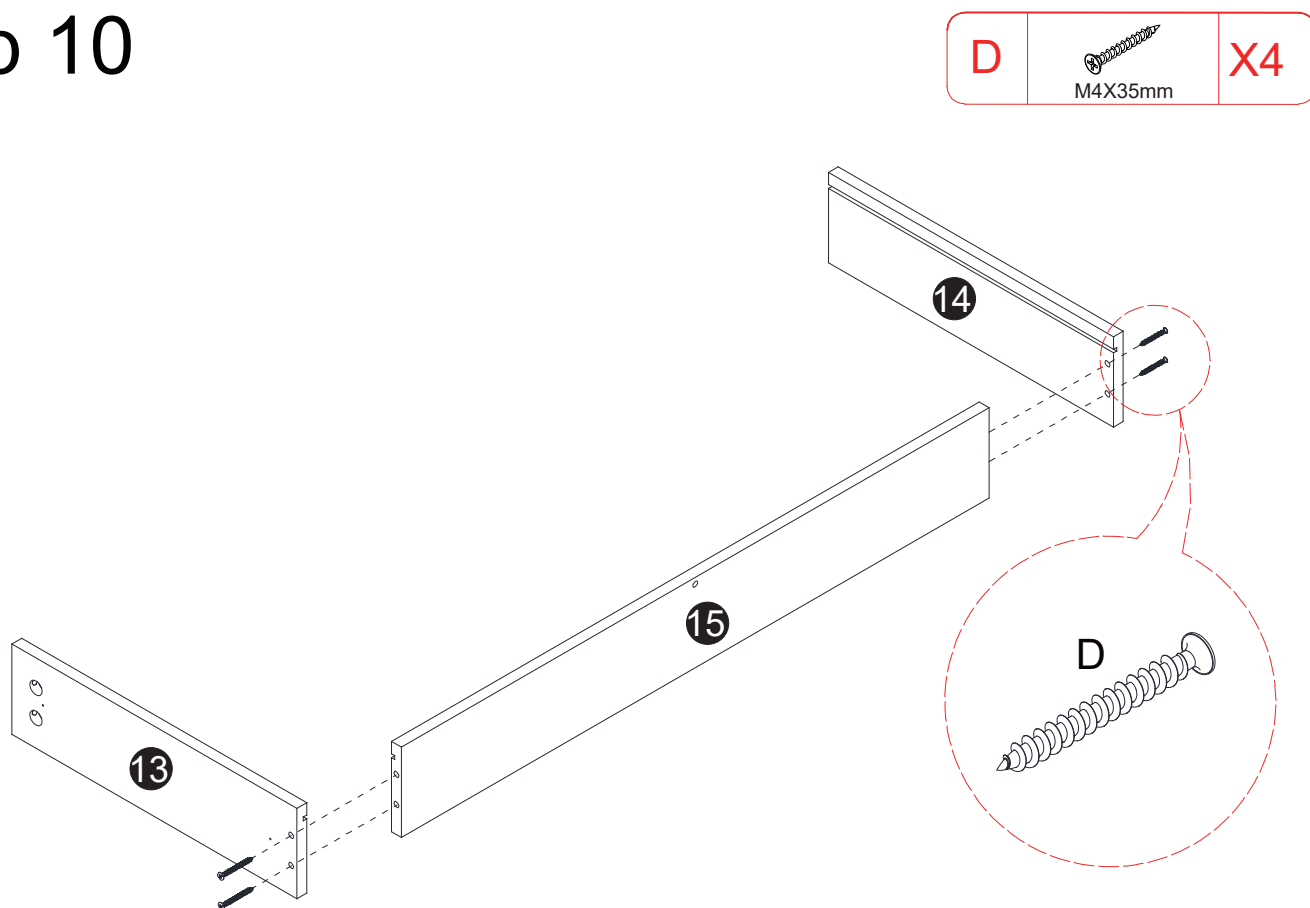
Step 8



Step 9

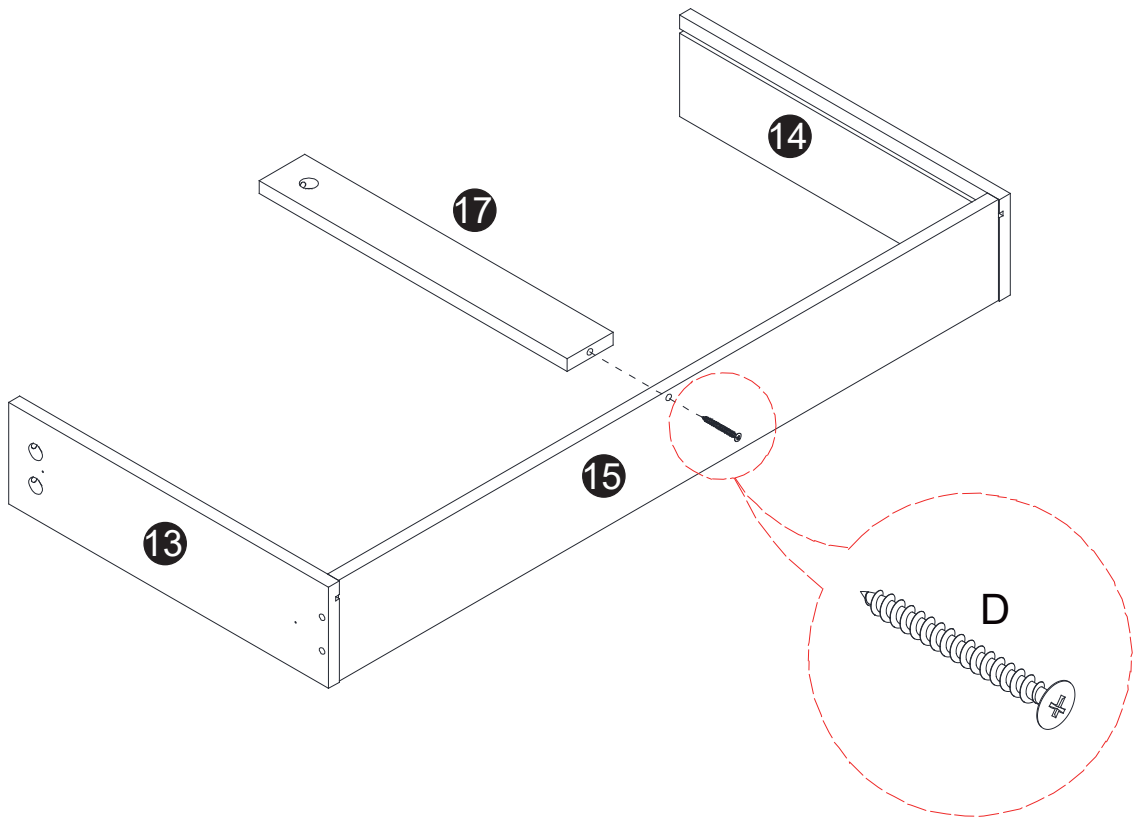


Step 10

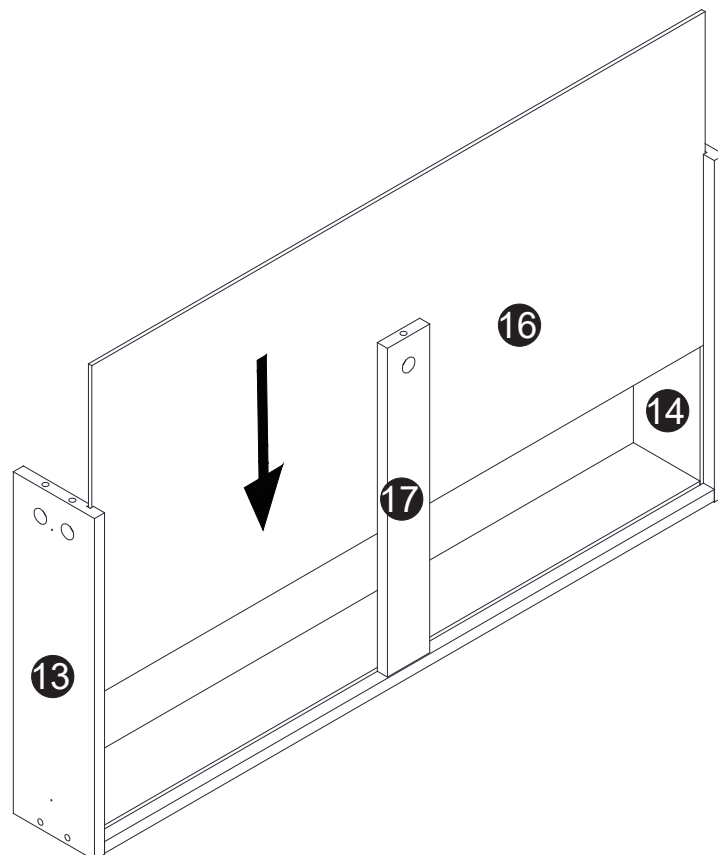


Step 11


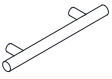

D	 M4X35mm	X1
---	--	----

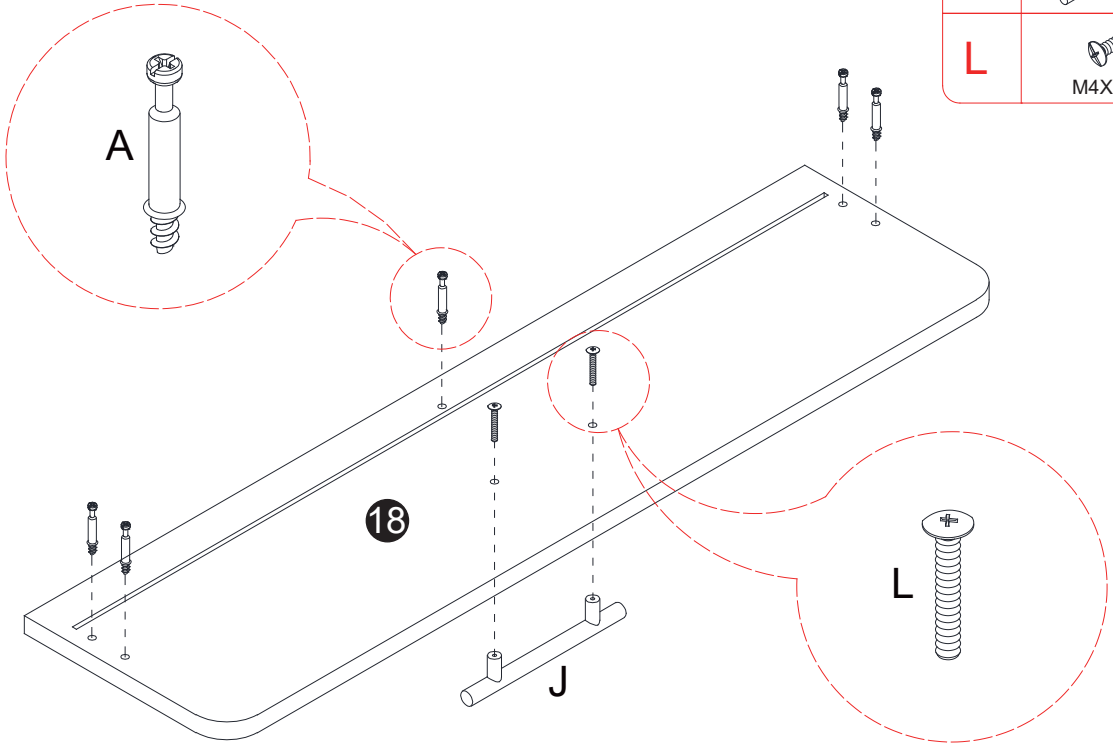


Step 12





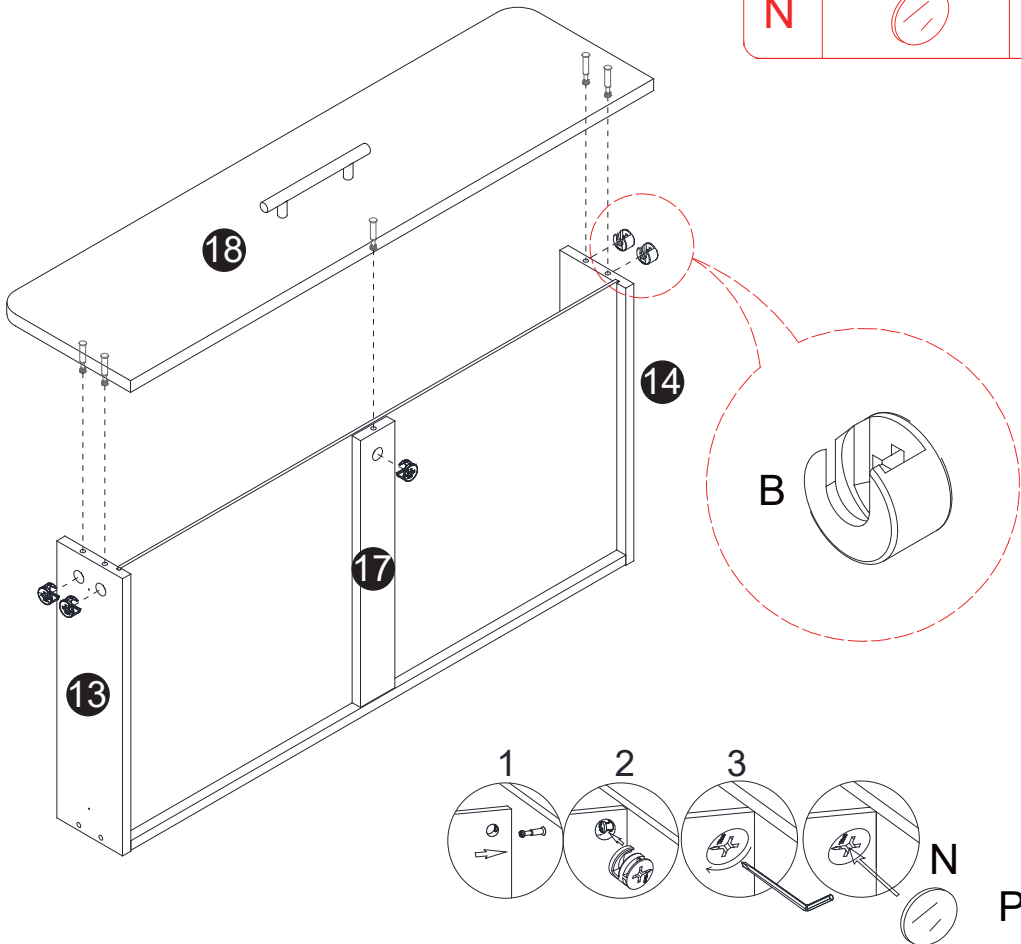
Step 13

A		X5
J		X1
L	 M4X20mm	X2

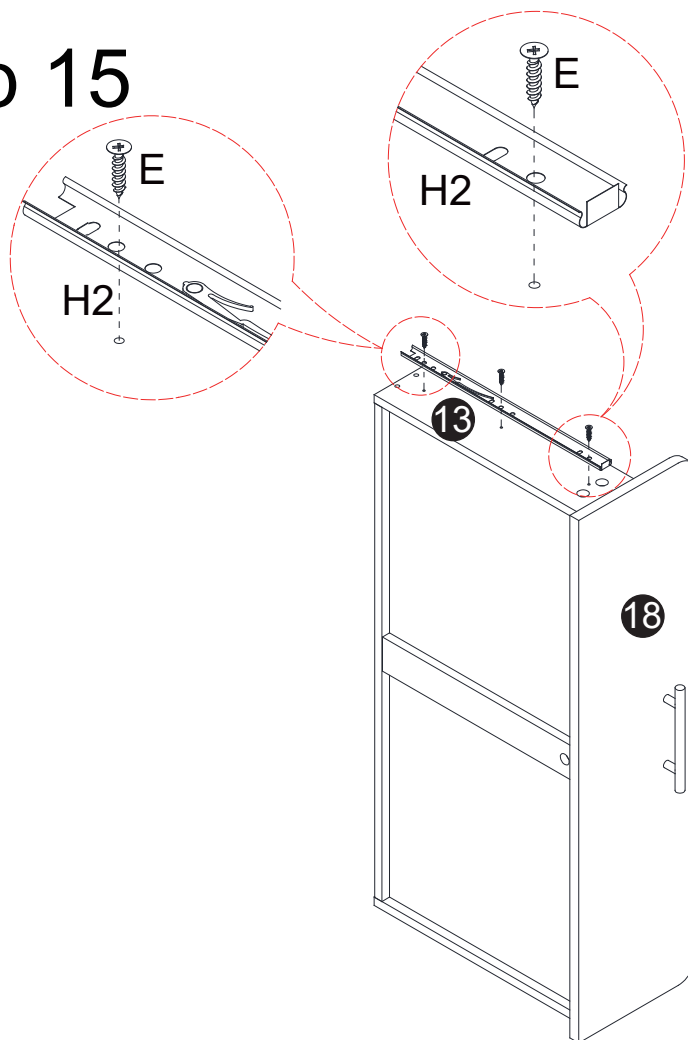


Step 14

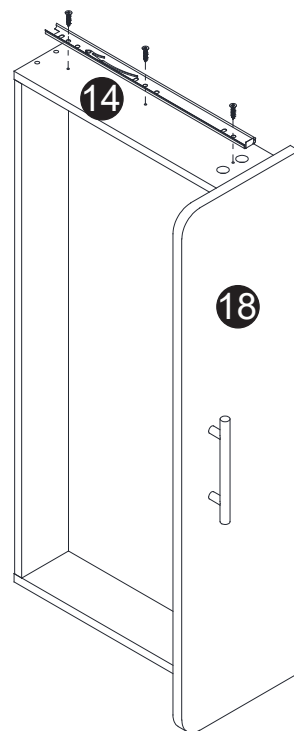
B	 Ø15x10mm	X5
N		X4



Step 15

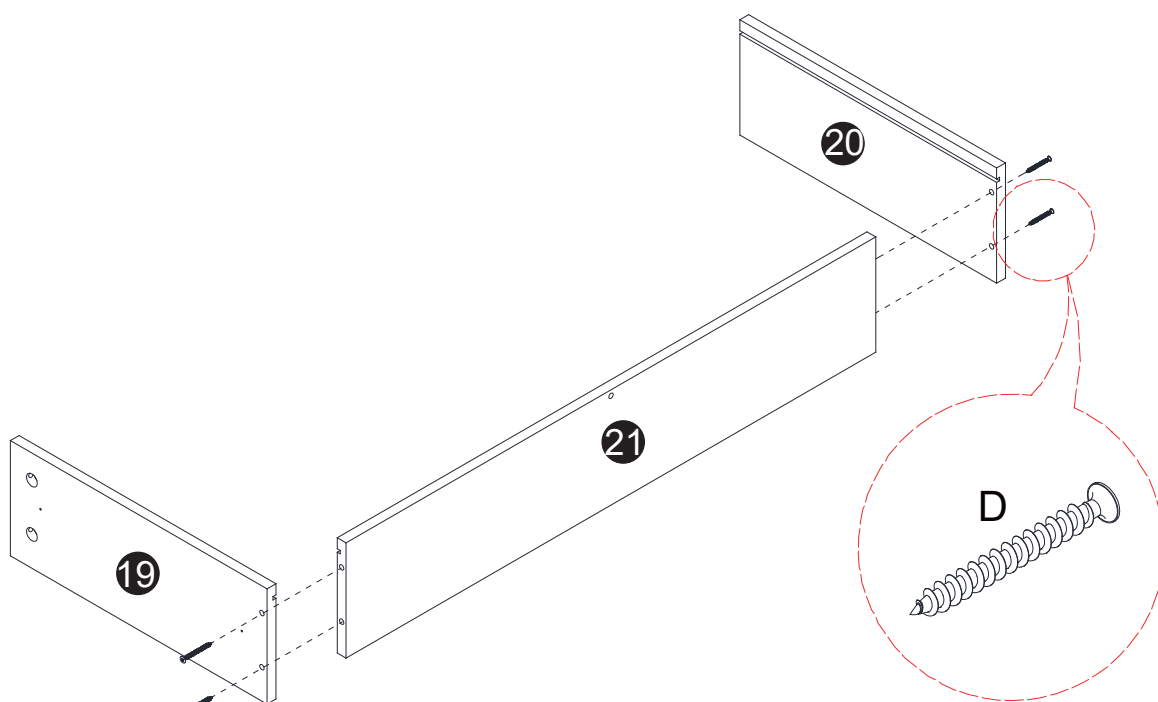


E	 M3X12mm	X6
H	 14"	X1



Step 16

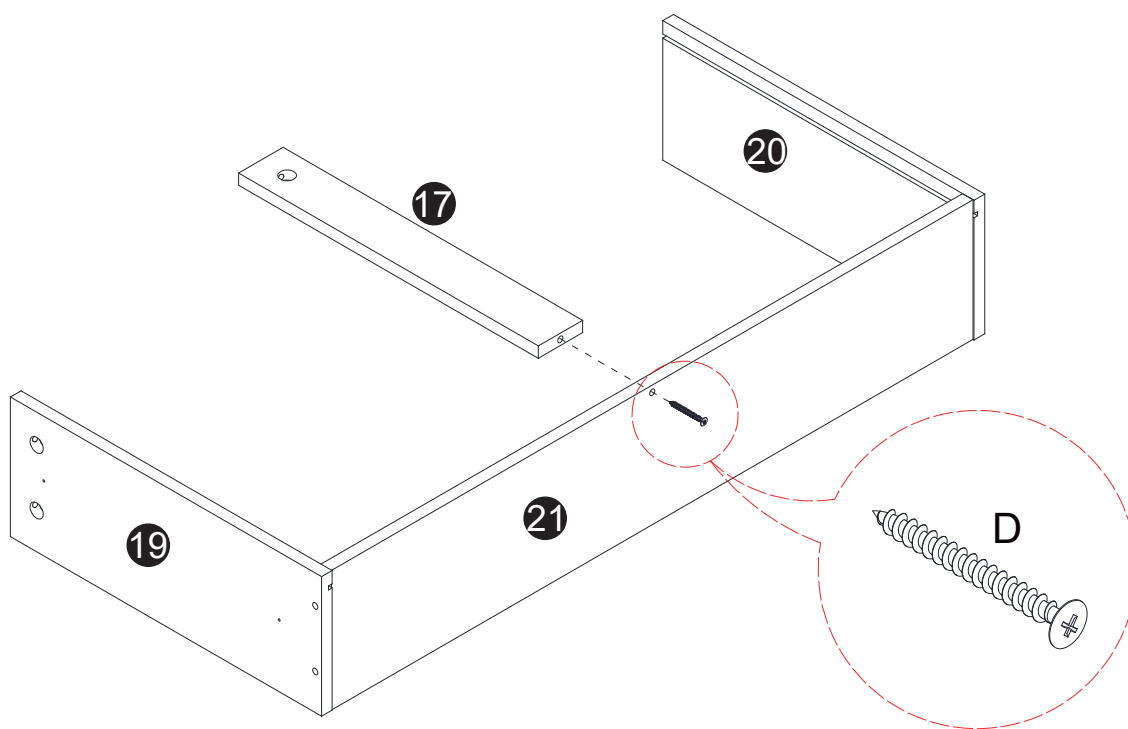
D	 M4X35mm	X8
----------	--	-----------



x2

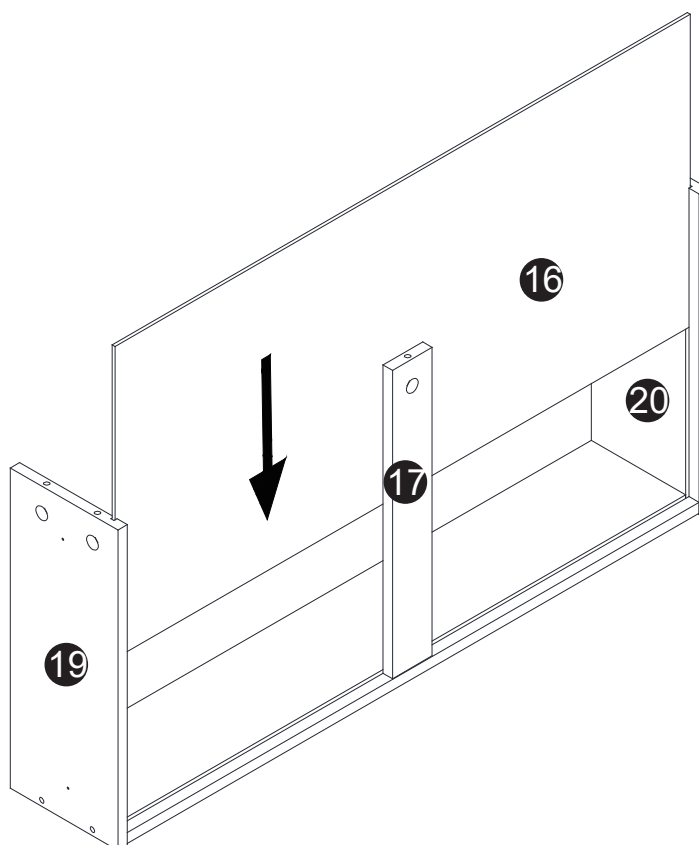
Step 17

D	 M4X35mm	X2
---	--	----



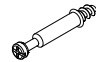
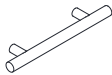

x2

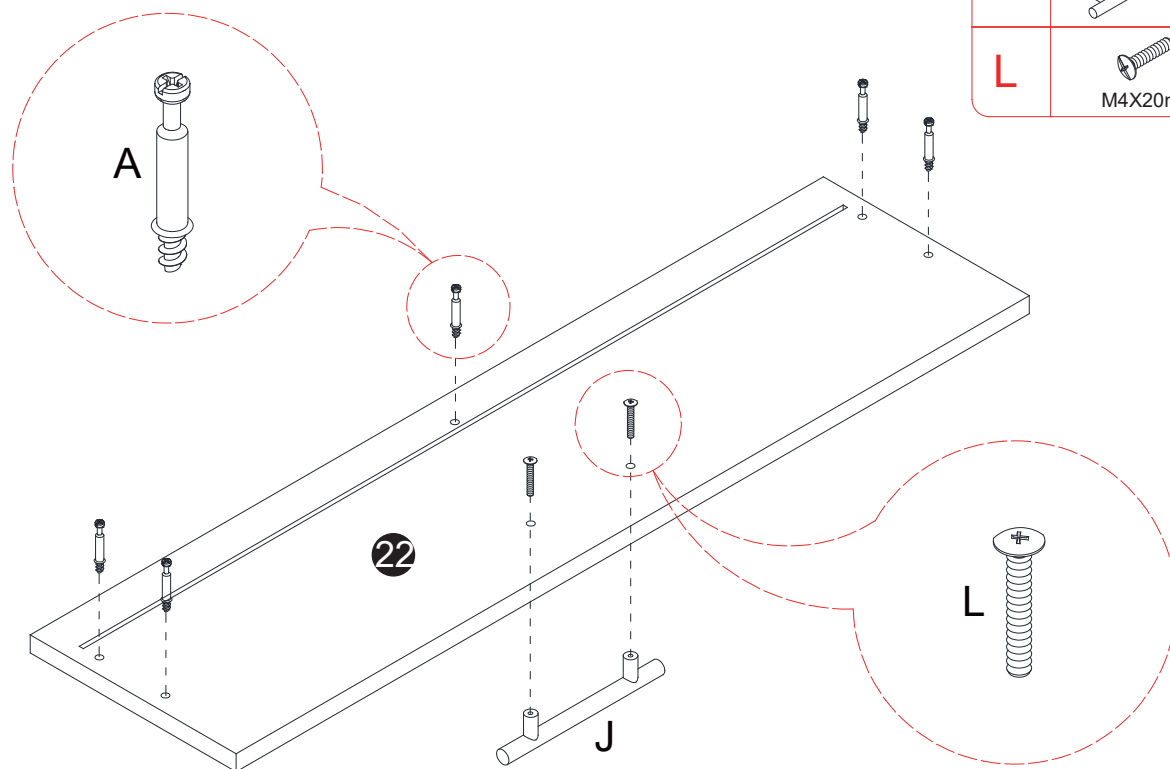
Step 18



x2
P.16/21



Step 19

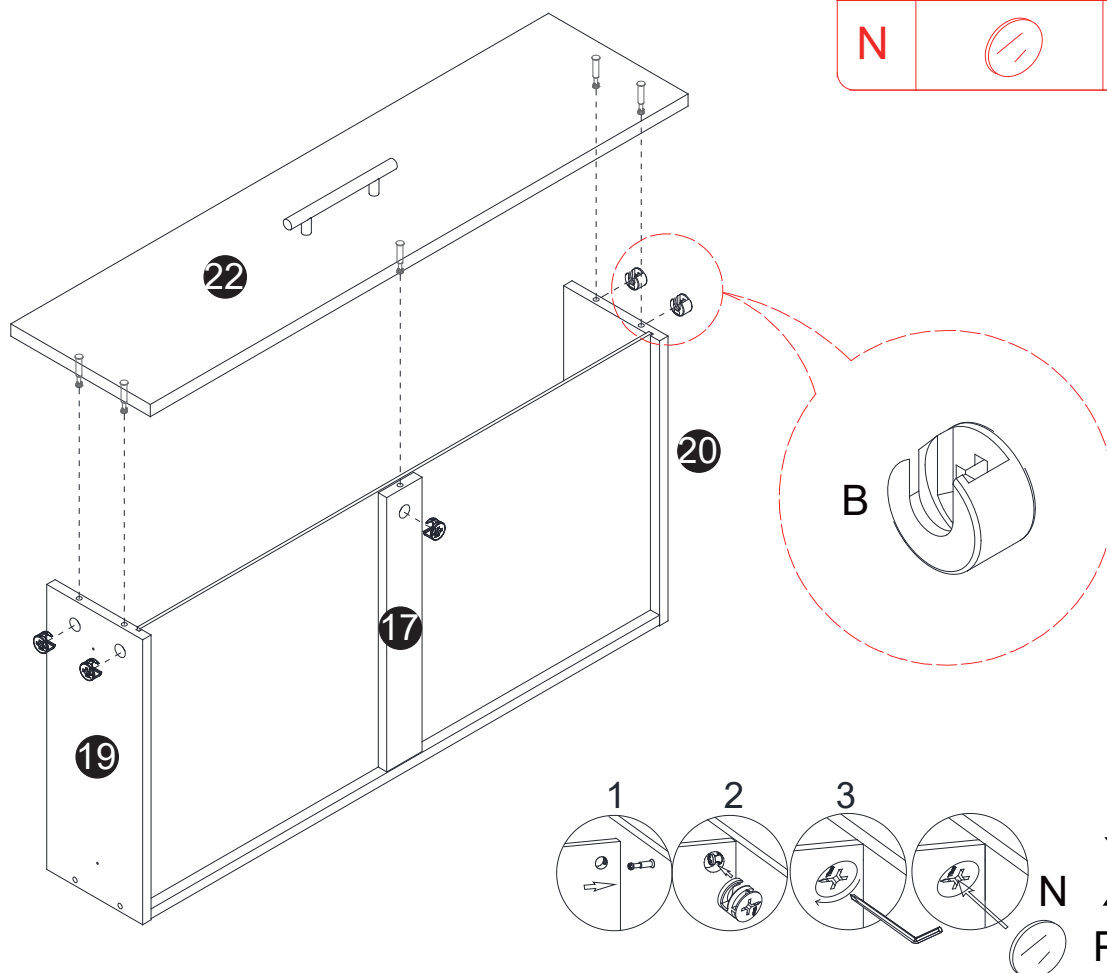
A		X10
J		X2
L	 M4X20mm	X4



x2


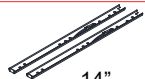
Step 20

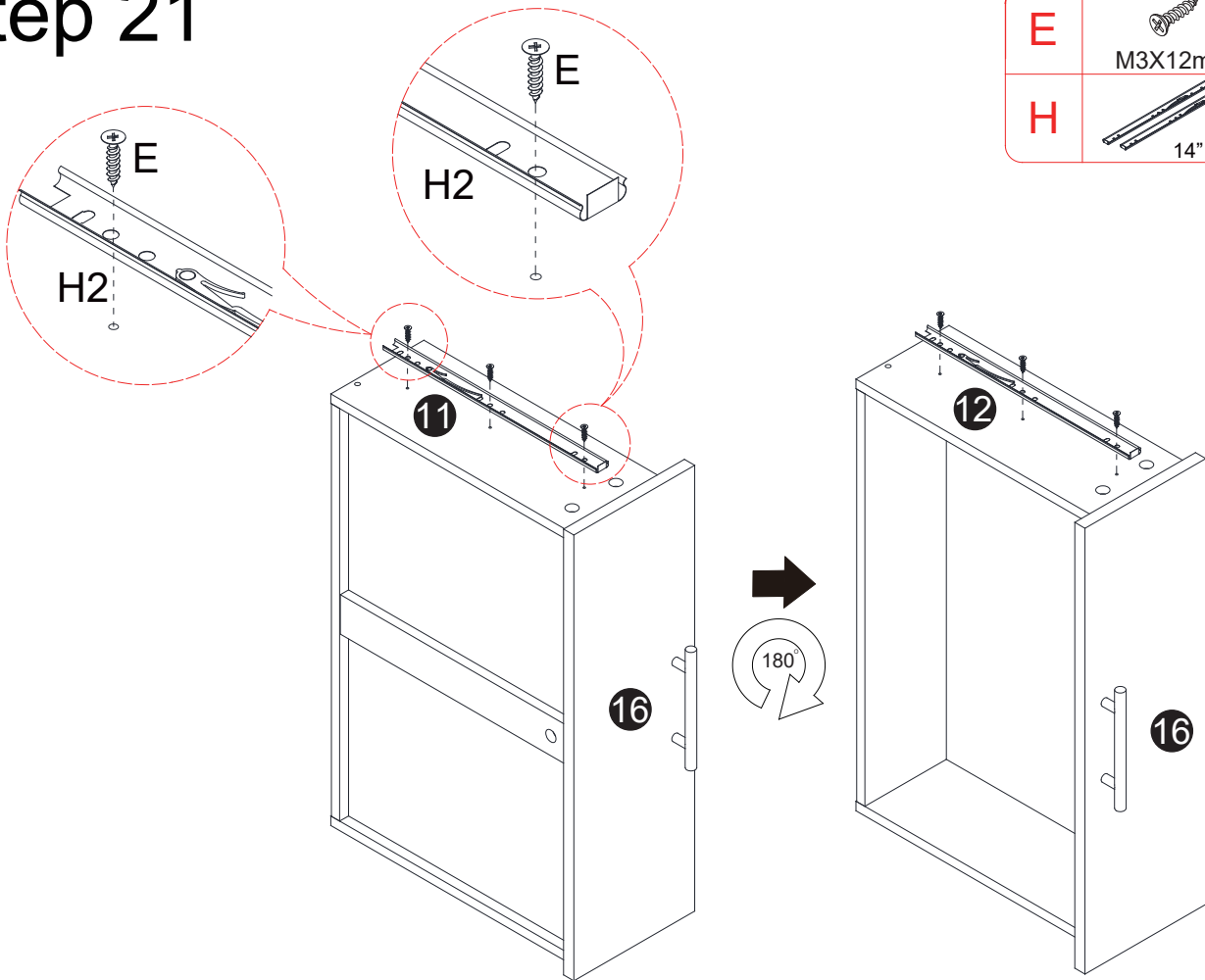
B	 Ø15x10mm	X10
N		X8



x2



Step 21

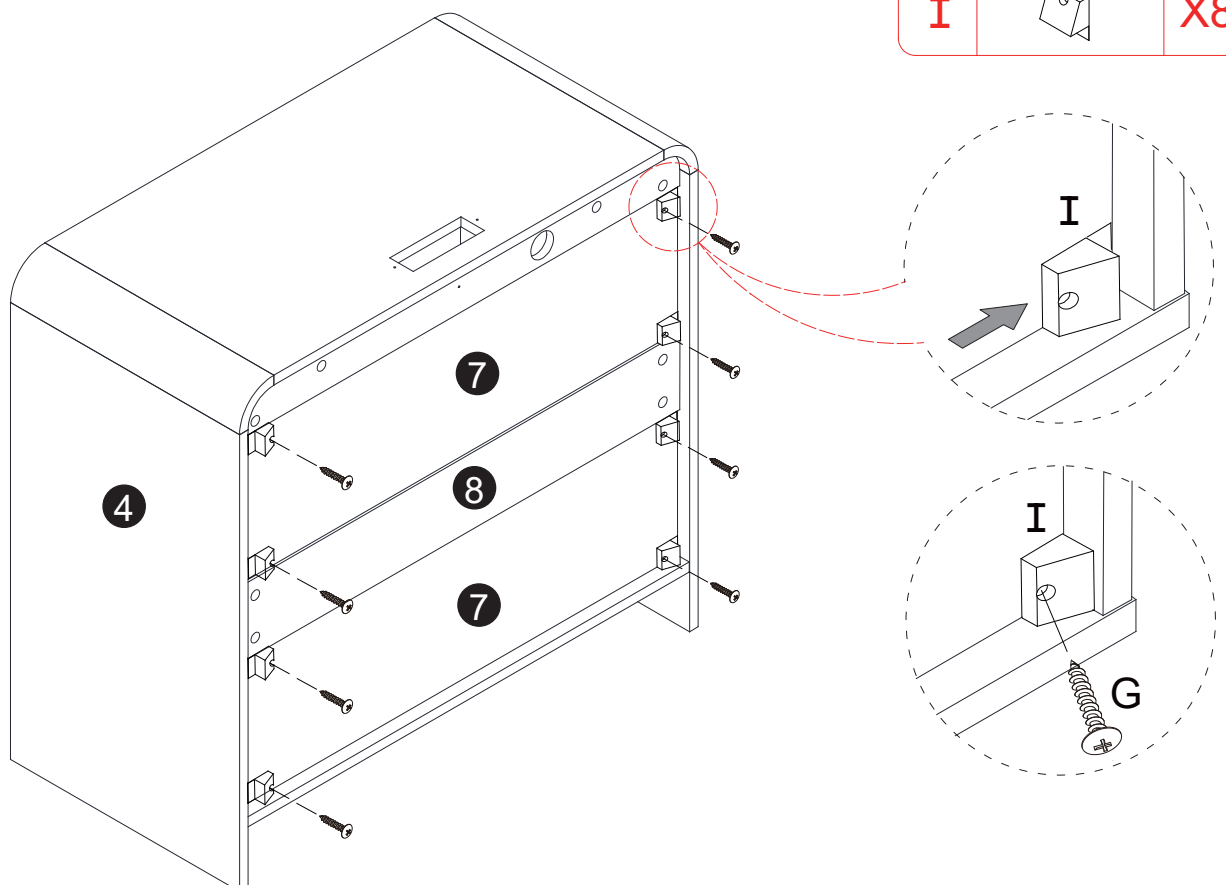
E	 M3X12mm	X12
H	 14"	X2



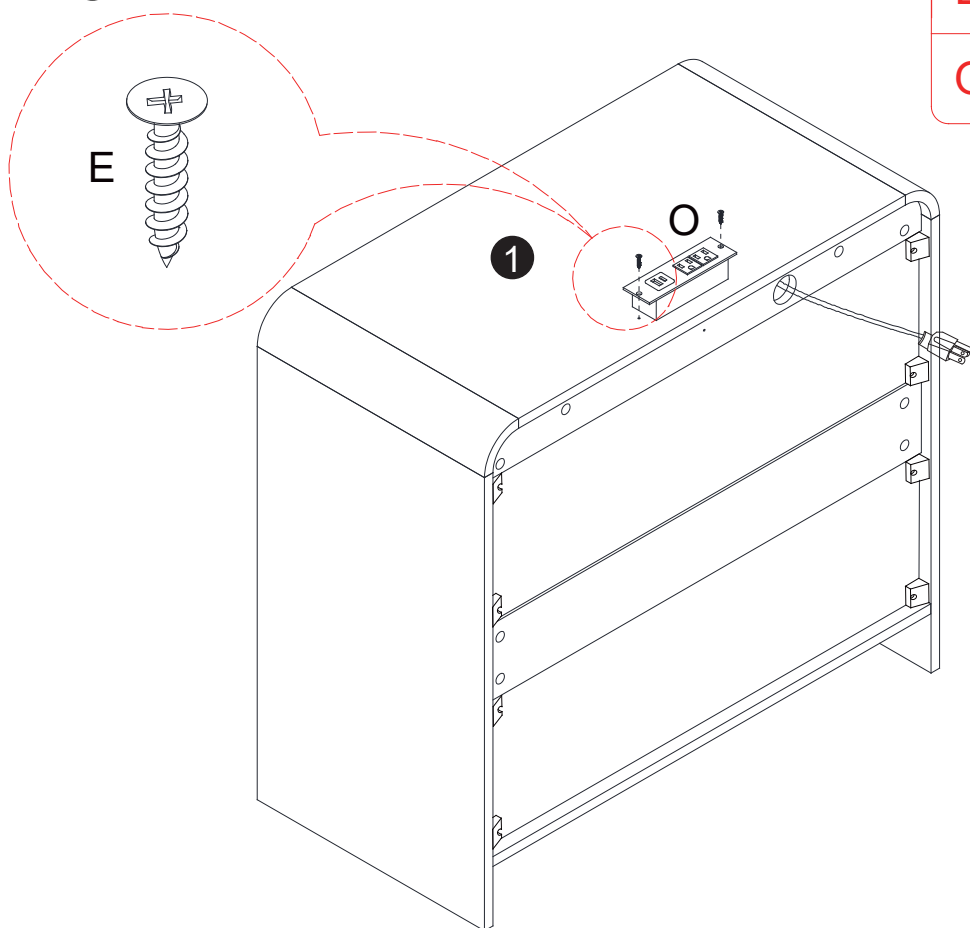
x2



Step 22

G	 M3X16mm	X8
I		X8

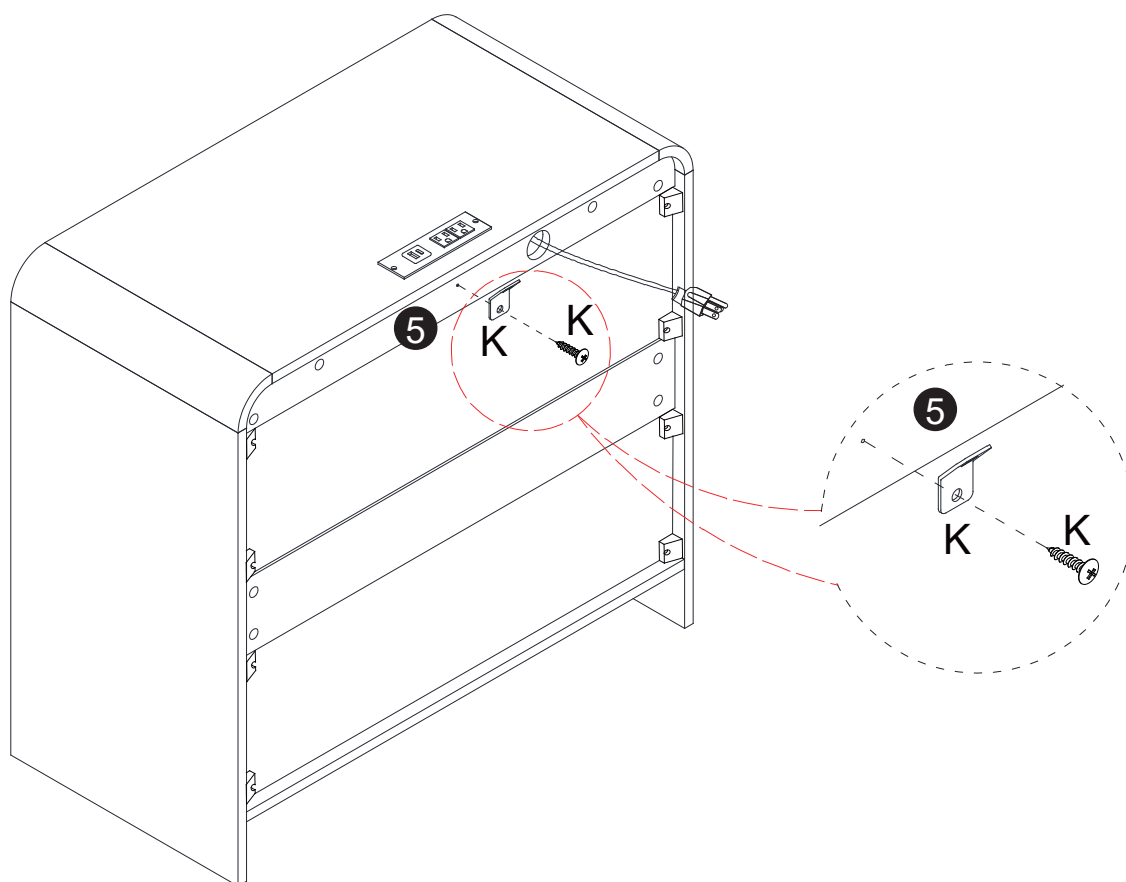


Step 23



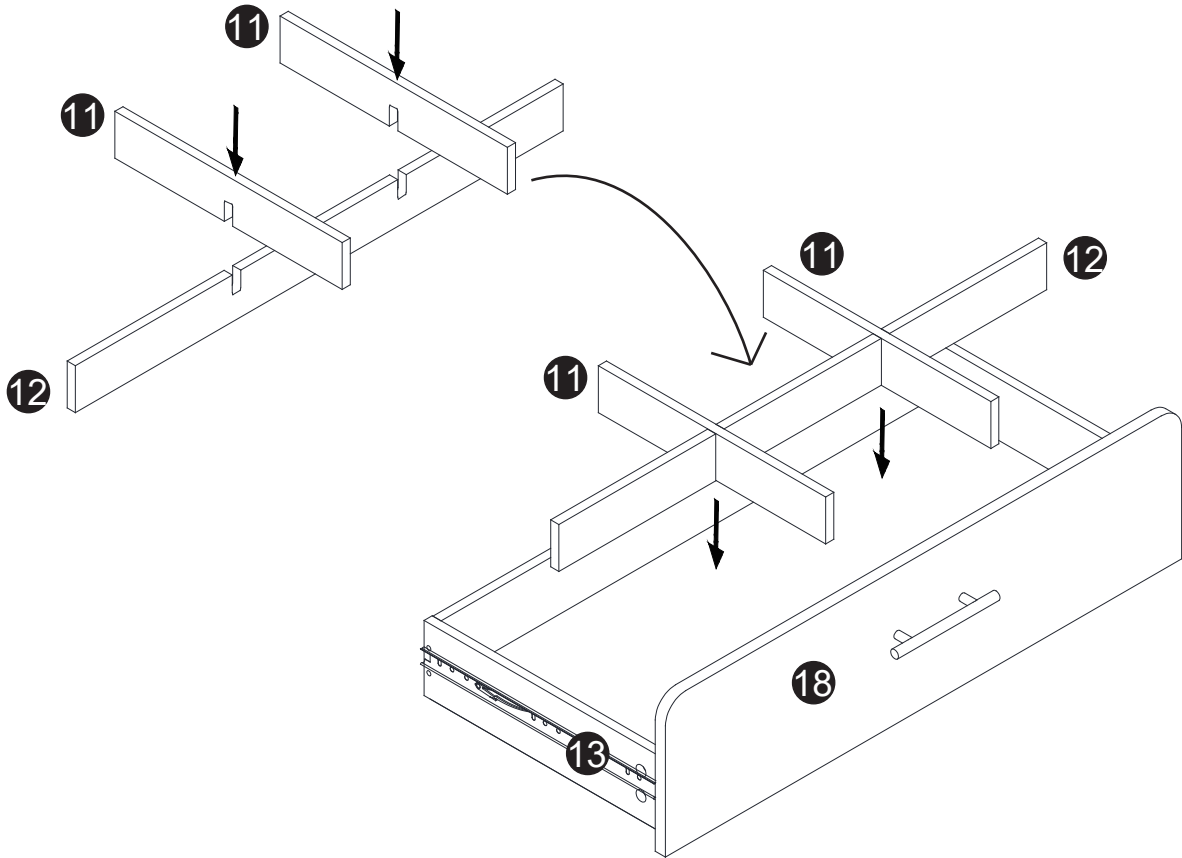
E	 M3X12mm	X2
O		X1

Step 24

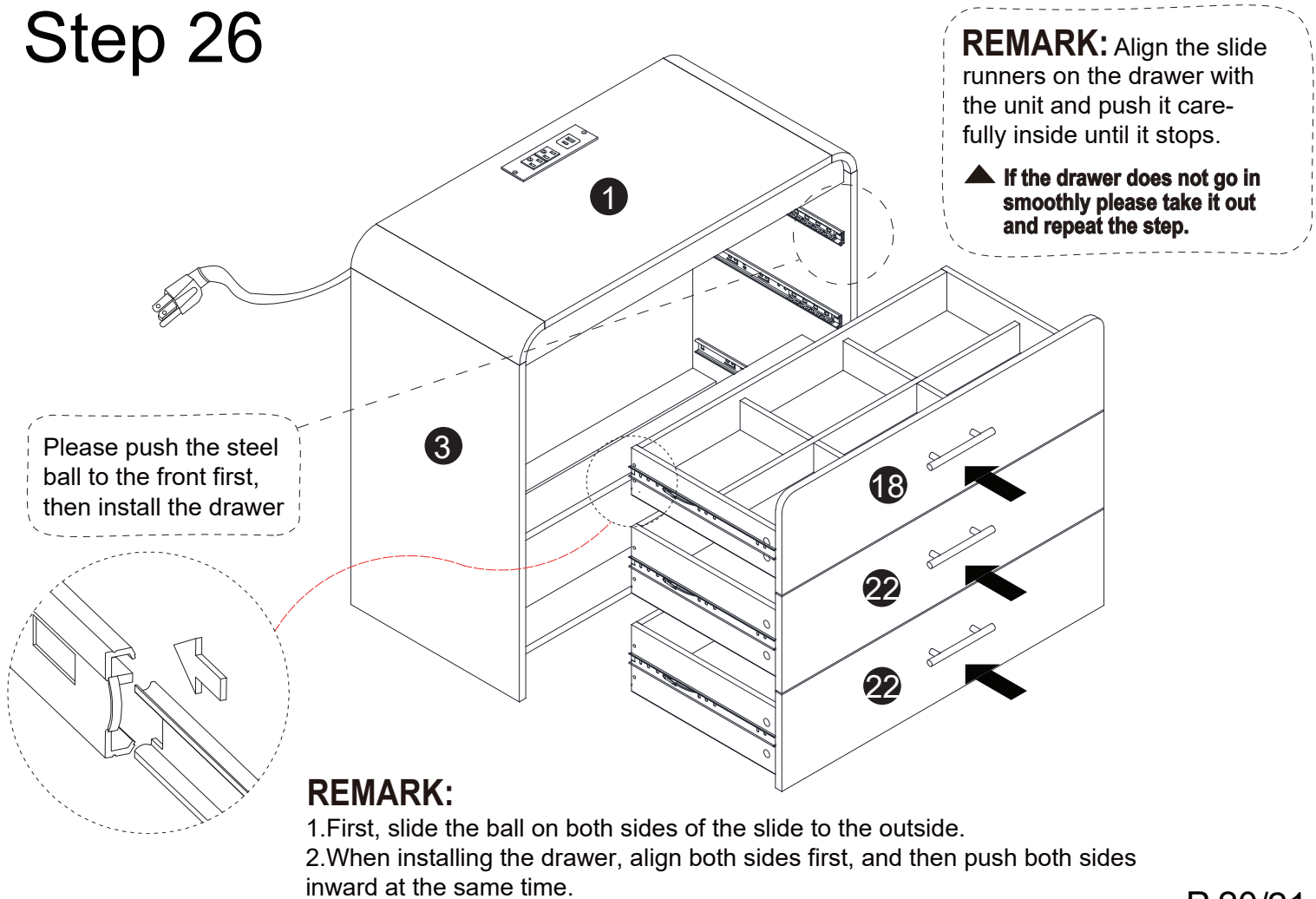


K	 M4X14mm	X1
---	--	----




Step 25



Step 26



Step 27

D	 M4X35mm	X1
K	 M4X14mm	X1
M		X1

