







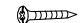
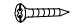


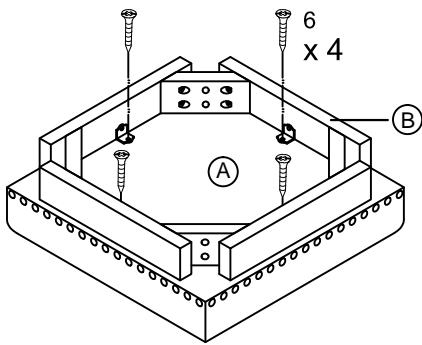
ASSEMBLY INSTRUCTIONS

Don't tighten any hardware until all hardware on a step have been started

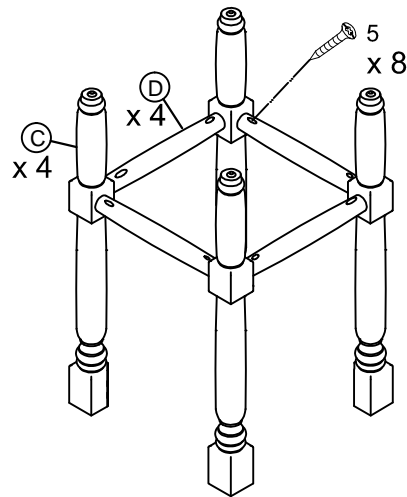
Thank you for purchasing this quality product. Be sure to check all packing material carefully for small parts, which may have come loose inside the carton during shipment. Identify and count all parts and compare with the **HARDWARE LIST** below.

NO	PARTS LIST		Qty.	NO	HARDWARE LIST		Qty.
A		Bonded leather seat	1PC	1		1/4"X2-1/4"	8PCS
B		Seat frame	1PC	2		1/4"X5/8"	8PCS
C		Leg	4PCS	3		1/4"	8PCS
D		Stretcher	4PCS	4		1/4"	1PCS
				5		1-3/4"	8PCS
				6		3/4"	4PCS

STEP 1

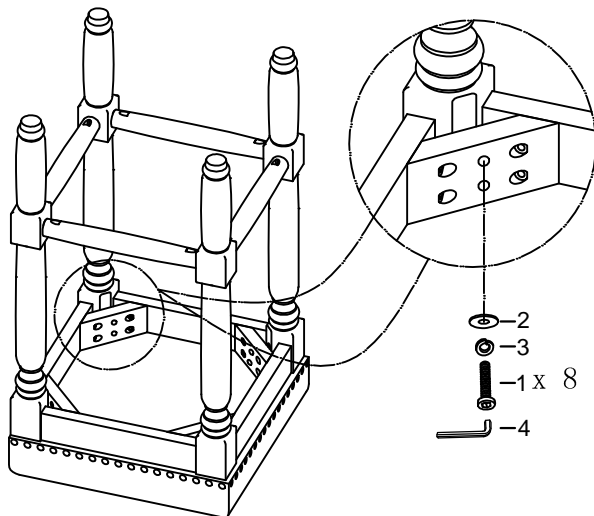


STEP 2

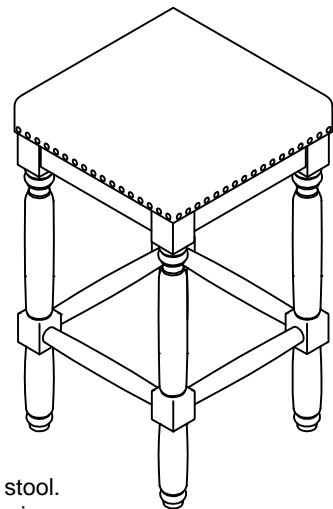


Note: Loosely attach the stretchers to the legs as shown.

STEP 3



STEP 4



- 1.Right side up the stool.
- 2.It's complete for using.

Caution:

- 1:All hardware must be tightened mandatorily in each step.
- 2:It is also mandatorily recommended to periodically check hardware and retighten as needed.