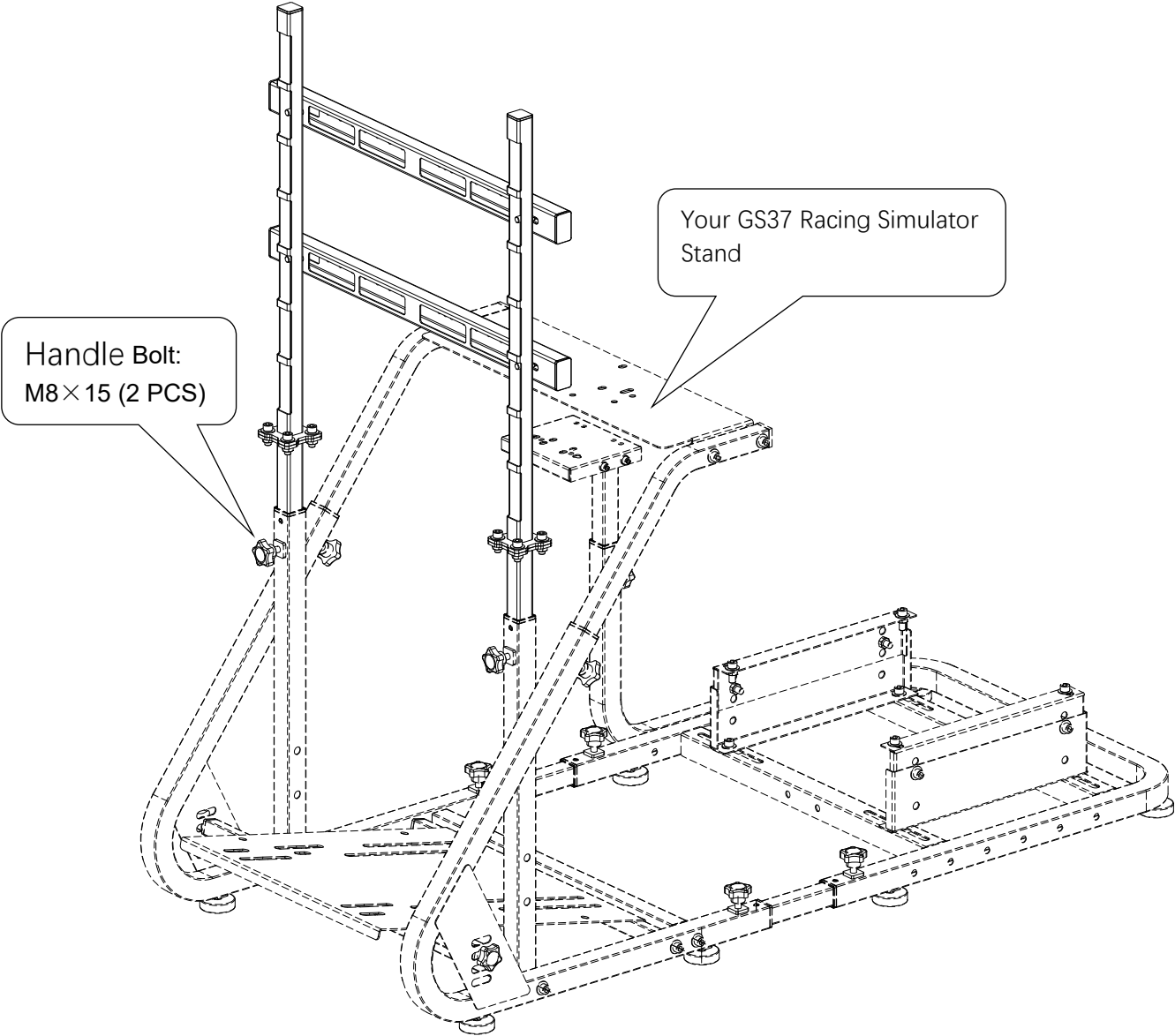
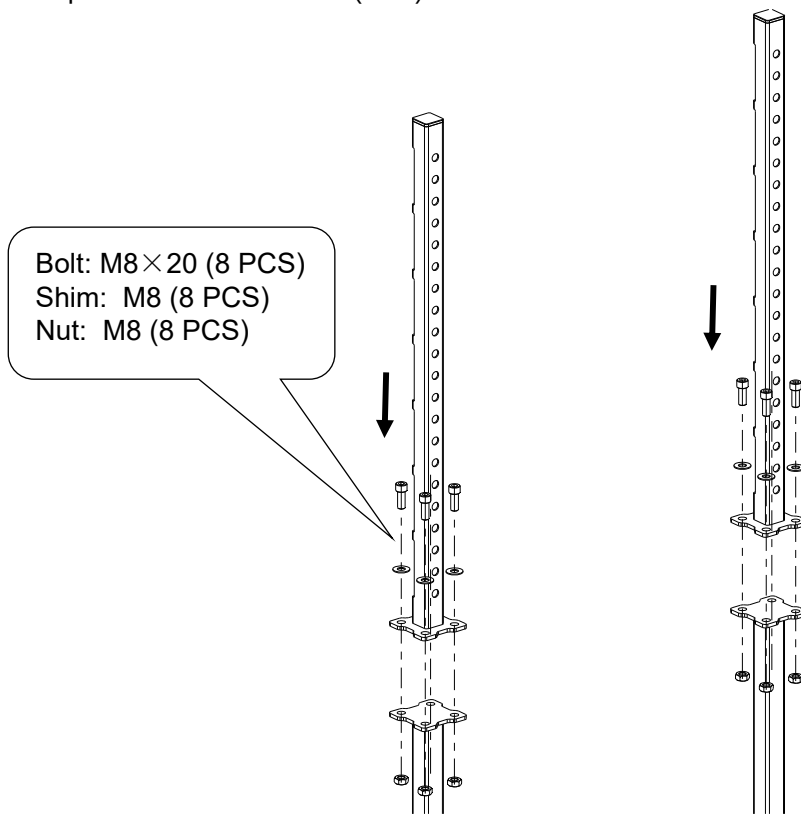


Product Assembly Manual



## Racing Simulator Stand Part

1. Assemble two columns with 8 pieces of the bolt (M8×20) 、 8 pieces of the shim (M8) 、 8 pieces of the Nut (M8)



2. Assemble fixing tube with 4 pieces of the bolt (M8×20) 、 4 pieces of the shim (M8) 、 4 pieces of the Square Nut (M8)

