

User Manual

Product Name: Dining chair

Size: W52xD55xH85CM

Application: Indoor Use

Main & Auxiliary Materials: Metalwire, foam ,fabric


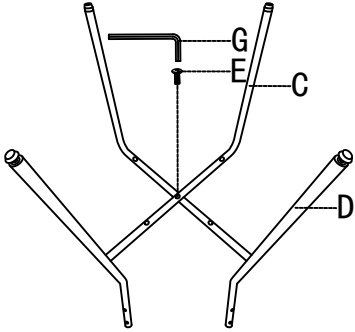
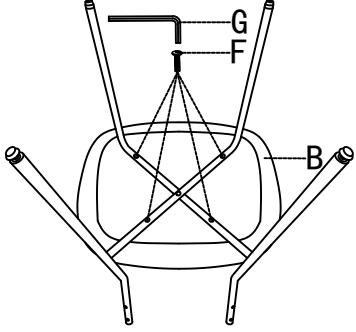

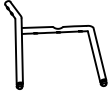
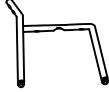

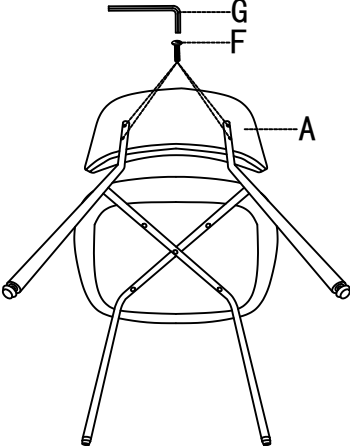
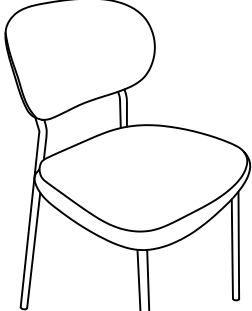

Usage: Sit or lie down on the chair, body better not with hard objects.

Cautions: Please avoid to get dirty of sofa surface with oil stain, ball-point pen, ink, etc.

Maximal Residue Limits of Hazardous Chemicals:

- 1: Formaldehyde Release Rate $\leq 0.050\text{mg}/\text{m}^3$.
- 2: Decomposable Aromatic Amine Dyes of Textile Fabrics & Leather is Disable.
- 3: Formaldehyde of Textile Fabrics should be less than Class B 75mg/kg.
- 4: This product does not contain formaldehyde.

ASSEMBLY INSTRUCTIONS

A*1 			
B*1 	C*1 		
D*1 	E*1  M6x20mm		
F*8  M6x35mm	G*1 