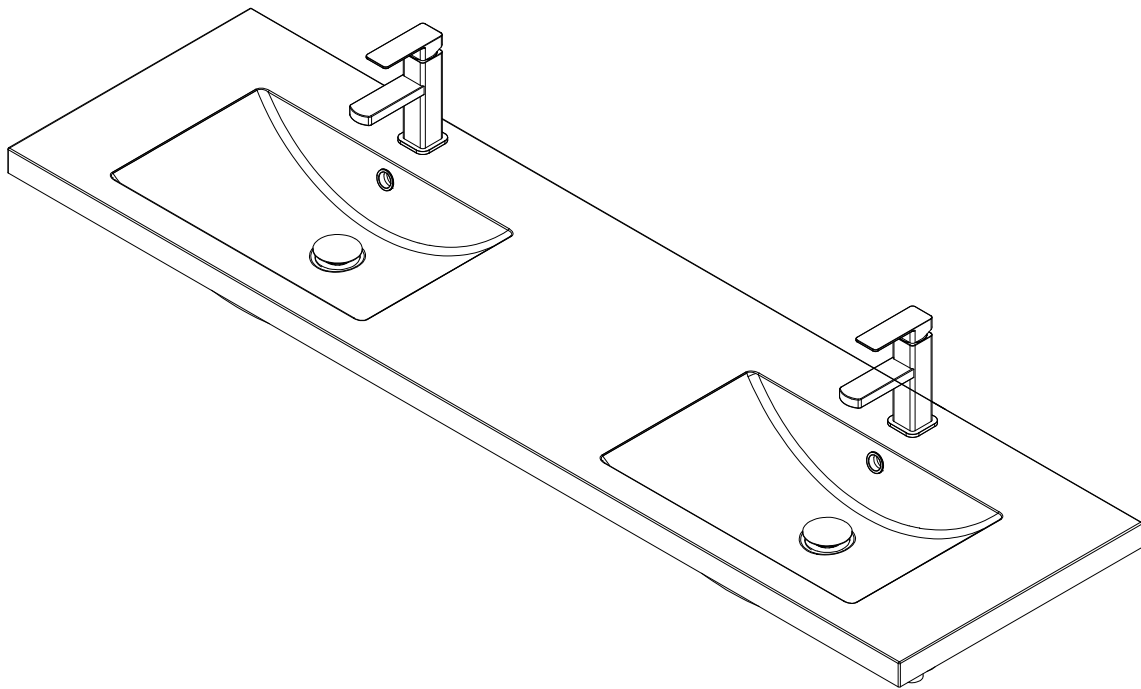


# ASSEMBLY INSTRUCTION

ITEM NO. THKFVS052  
THKFVS053  
THKFVS064



# IMPORTANT NOTICE

## Safety Notice

- Operate in a secure, obstacle-free environment.
- Wear appropriate protective gear.

## Use Proper Tools

Use only the tools provided or recommended. Avoid overtightening screws.

## Compatibility Check

Verify compatibility of all parts and inspect for damage.

## Environmental Requirements

Install in an environment with suitable temperature and humidity.

## Installation Steps

- Securely mount the bathroom cabinet according to the guide.
- Position the sink in the designated area and secure it.
- Install the faucet following the diagram, ensuring all connections are tight.

## Final Inspection

Inspect all components for secure installation and proper function.

Follow these tips for a safe assembly process.

# CARE AND CLEANING

Many cleaners contain abrasive and chemical substance which is not suitable for cleaning stainless steel, enamel, plating or plastic products. You may use mild cleansers or soaps to clean the surfaces. Wipe any splashes of cleaner solutions from the surface with a clean soft cloth.

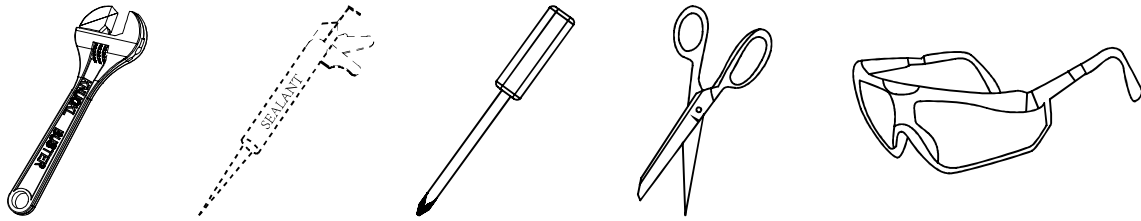
Maintain ventilation in the bathroom and separate the dry area from the damp one if conditions permit. Try to open the door and windows of the bathroom to maintain adequate ventilation.

This cabinet is built to withstand normal bathroom humidity. For best results, keep this vanity dry and take necessary steps to minimize bathroom humidity by opening windows and doors and using the exhaust fan (if available).

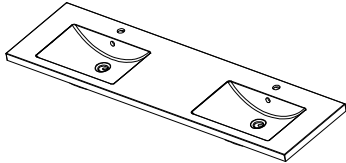
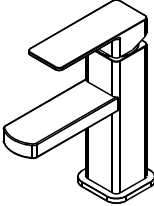
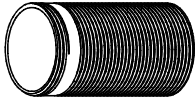
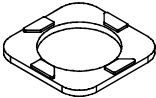
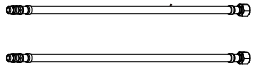

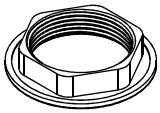

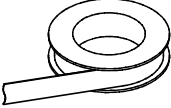
To maintain the cabinet door, clean and wipe the door regularly with a soft cloth. Wipe condensation with a dry, soft cloth. Keep away from high temperatures.

Please do not sit, lean or step on the basin cabinet.

## YOU MAY NEED (NOT SUPPLIED)



## PARTS LIST

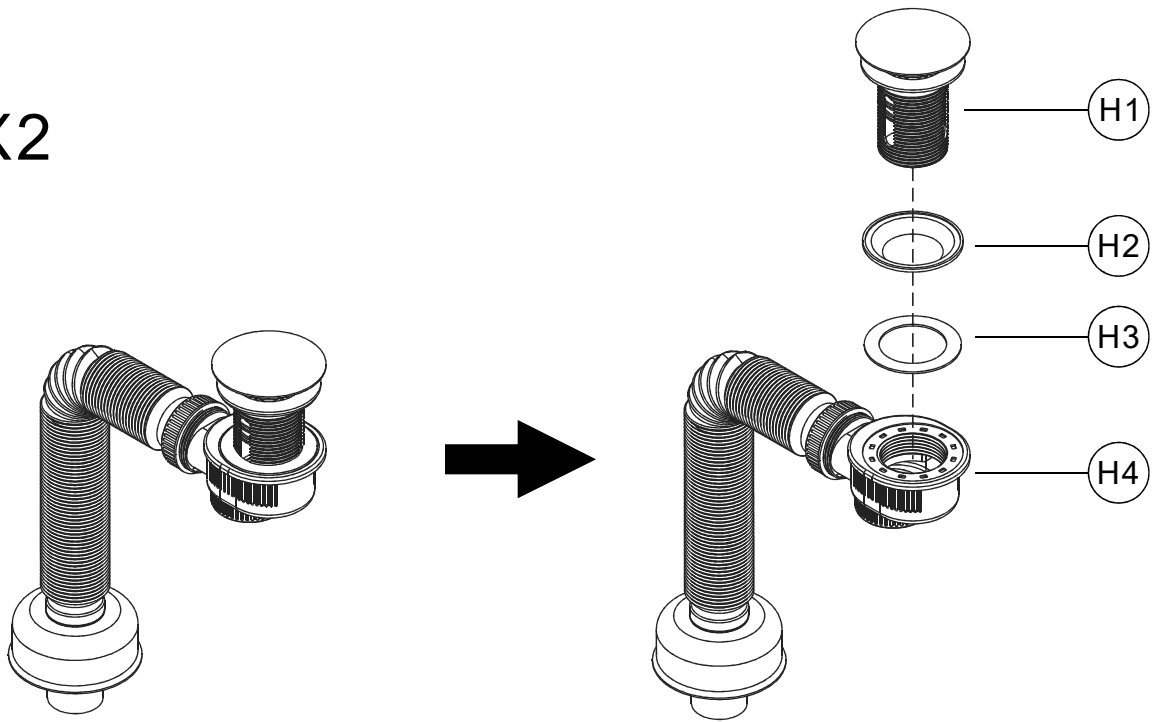
No.	Description	QTY	No.	Description	QTY
A		1	B		2
C		2	D		2
E		2	F		2
G		2	H		2
J		2			

**CAUTION:** Please confirm the parts list before installation

# 1

Take apart the pop up drain and put the thin rubber washer at the top of body.

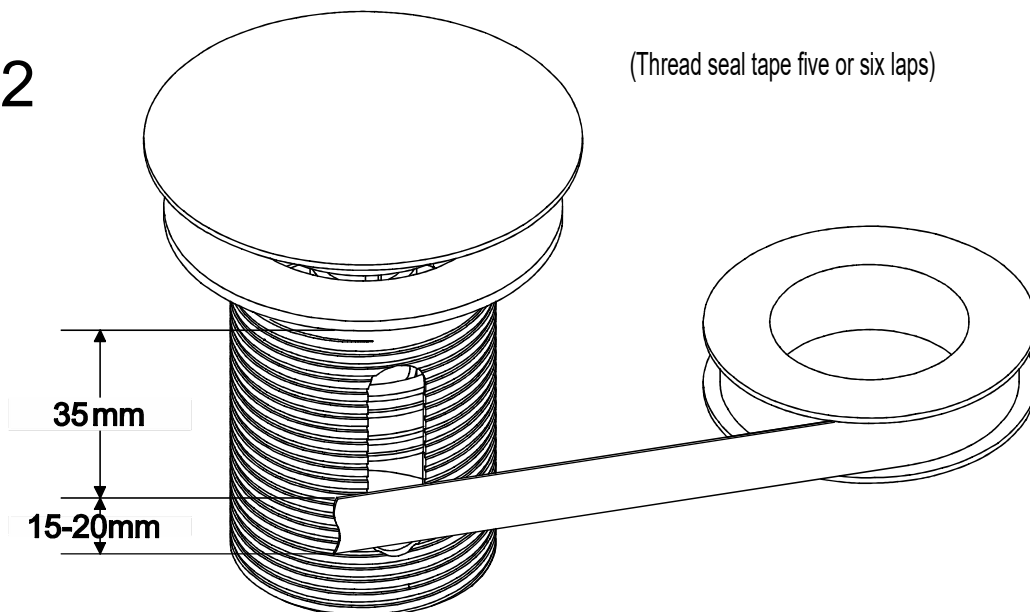
X2



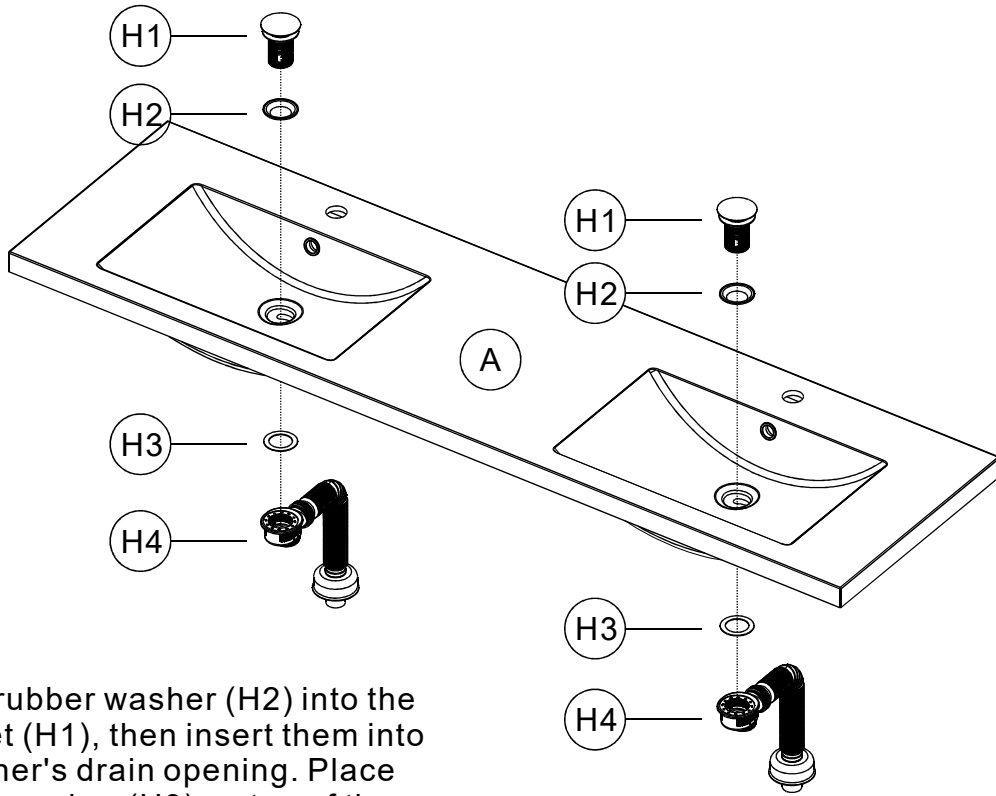
# 2

Apply the thread seal tape and binds five or six laps around the area what the picture shows.

X2

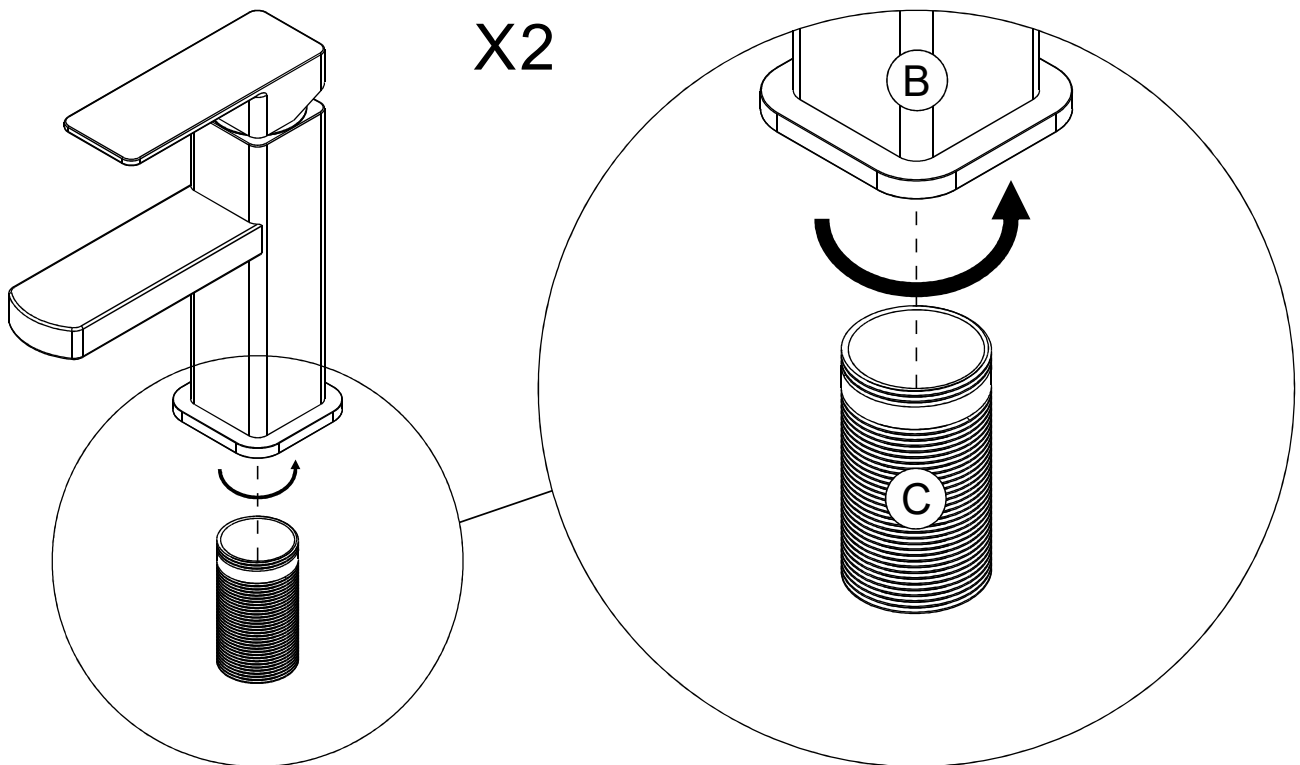


# 3



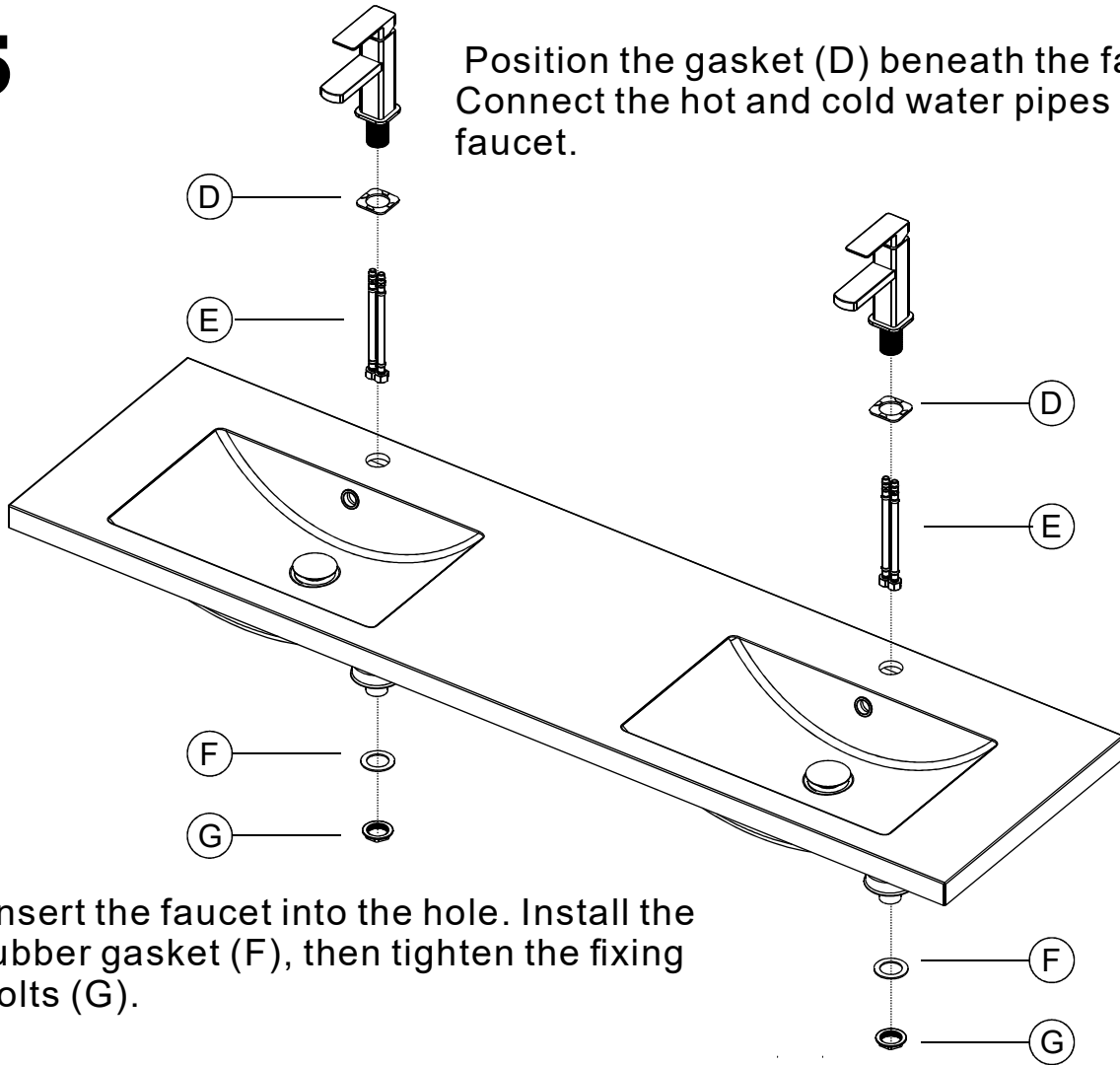
Insert the rubber washer (H2) into the drain outlet (H1), then insert them into the container's drain opening. Place the rubber washer (H3) on top of the drain nut (H4), and then tighten the drain nut (H4).

# 4



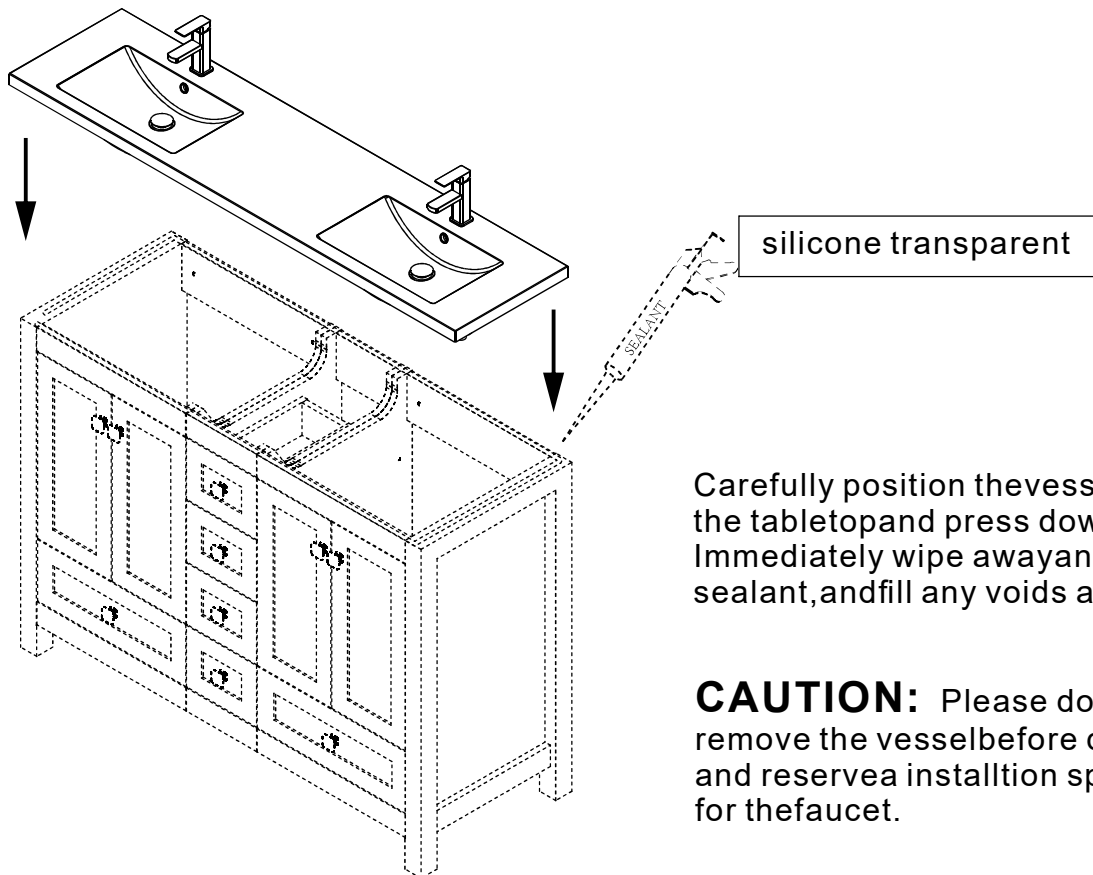
# 5

Position the gasket (D) beneath the faucet. Connect the hot and cold water pipes to the faucet.



Insert the faucet into the hole. Install the rubber gasket (F), then tighten the fixing bolts (G).

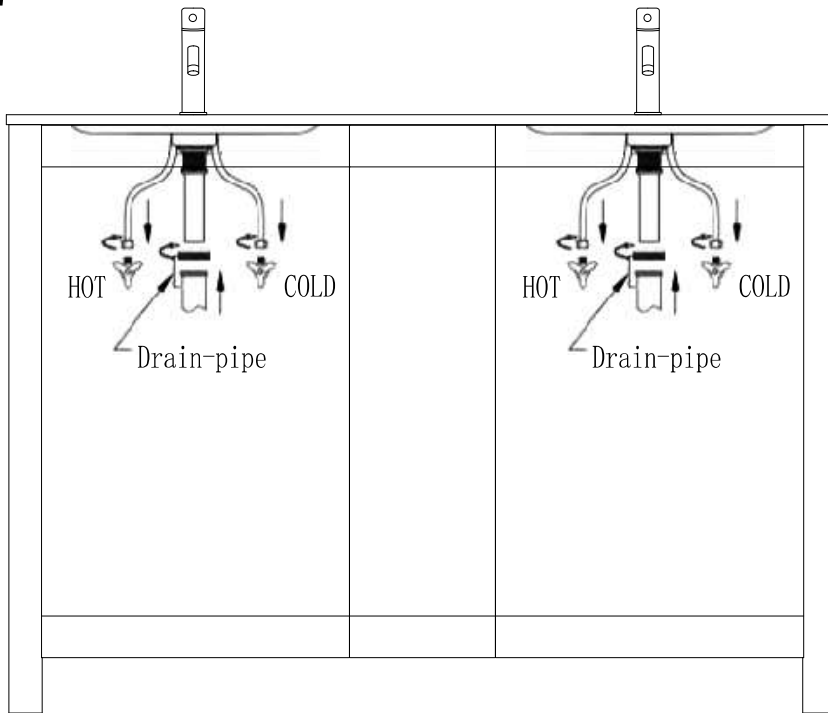
# 6



Carefully position the vessel on the tabletop and press down firmly. Immediately wipe away any excess sealant, and fill any voids as needed.

**CAUTION:** Please do not remove the vessel before drying and reserve a installation space for the faucet.

# 7



**Tips:** After the installation, please open the drain and faucet for seal test.

## THANK YOU

Thank you for choosing our product. We sincerely hope that the assembly process has been smooth and enjoyable for you. If you have any questions or suggestions during the use of the product, please feel free to contact us.

Contact number: (323)-393-8260 at EST 9AM-1PM  
E-mail: [service@eclifeusa.com](mailto:service@eclifeusa.com)

