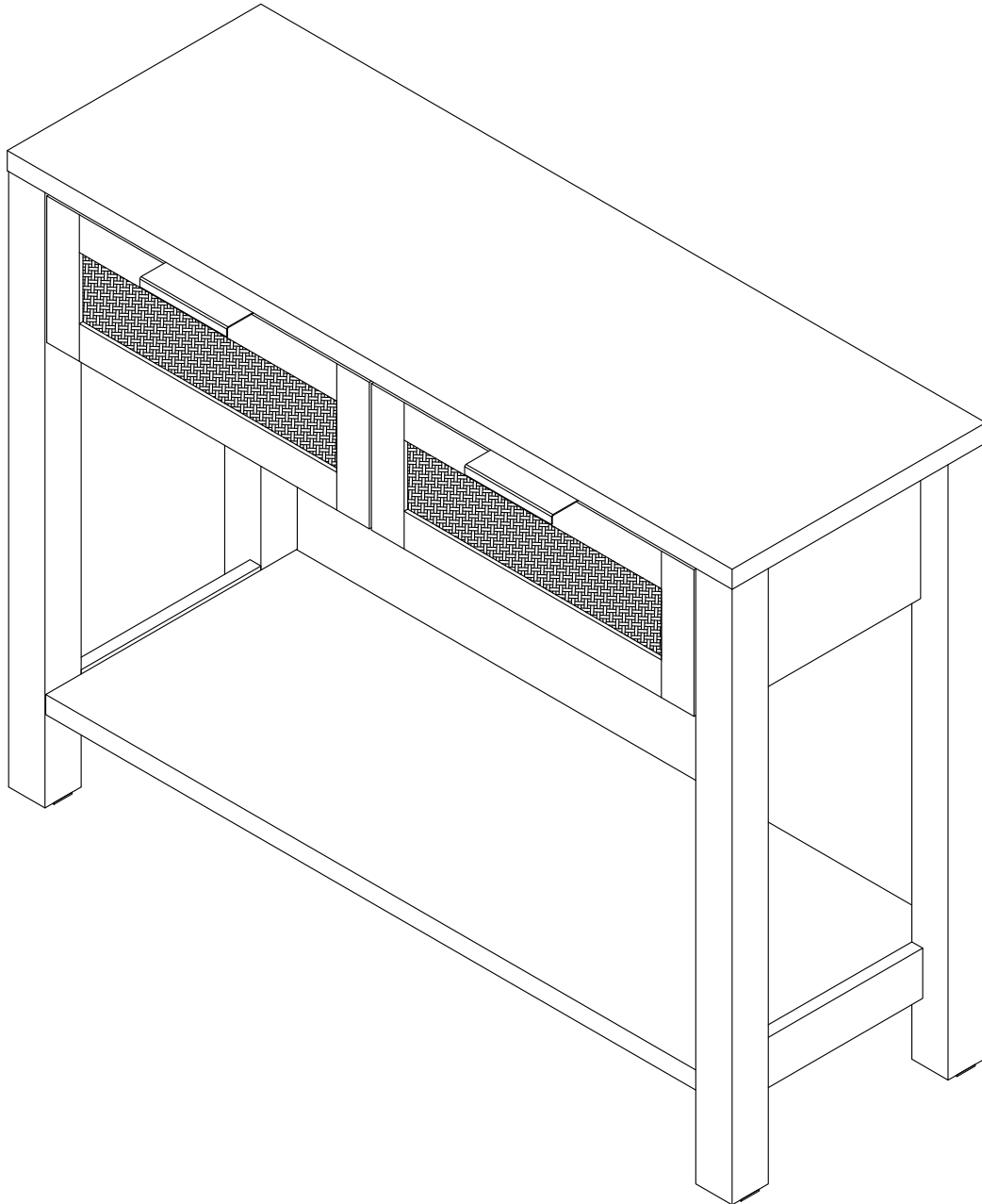
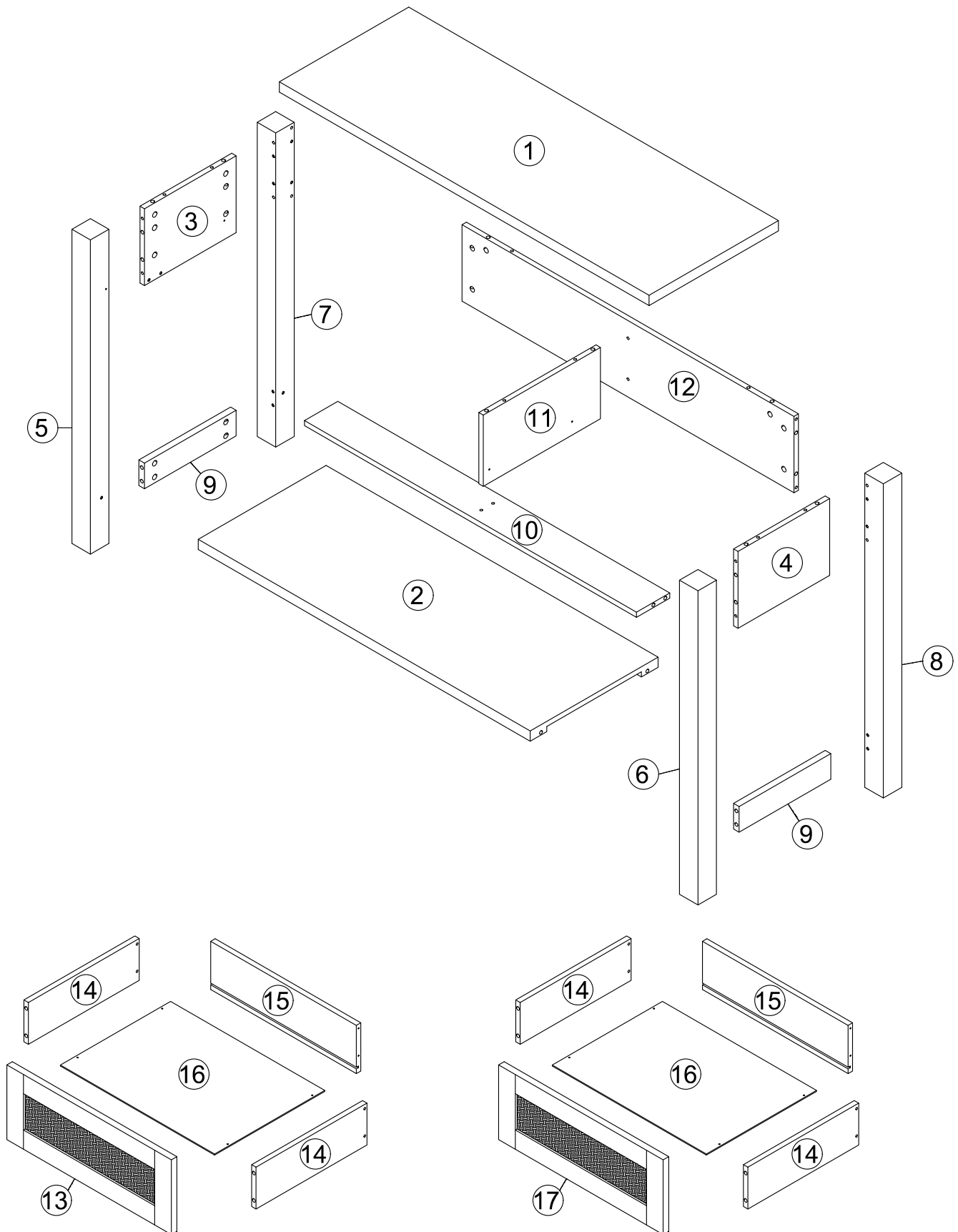


# Installation instruction

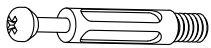


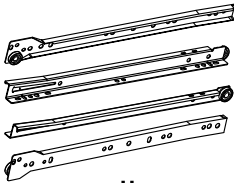

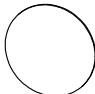

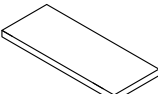
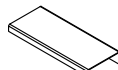
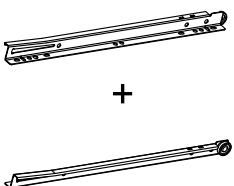
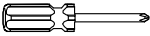

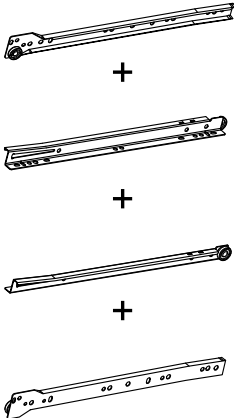


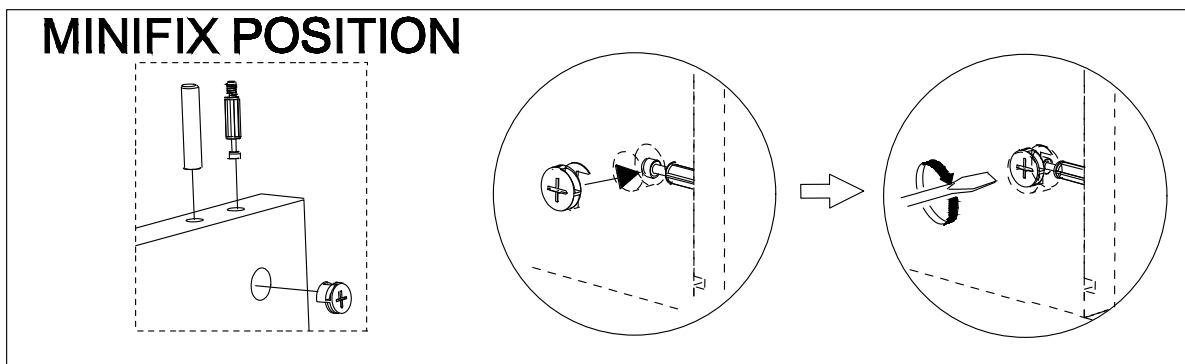
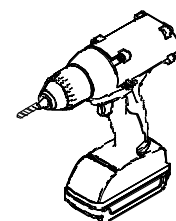
Please note: We provide fast after-sales service, don't worry if there is something wrong with the package you received. Please & contact us first, we will reply you in time!

# EXPLODED DRAWING:



# PARTS:

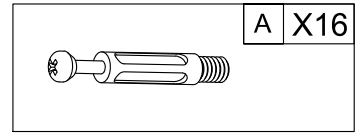
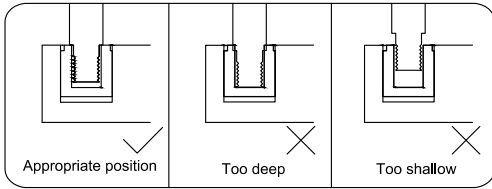
 <p><b>A</b> X44 Ø6x35</p>	 <p><b>B</b> X20 M6x30</p>	 <p><b>C</b> X44 Ø12</p>
 <p><b>D</b> X2</p>	 <p><b>E</b> X20 M4x11</p>	 <p><b>F</b> X44</p>
 <p><b>G</b> X4</p>	 <p><b>H</b> X2</p>	 <p><b>I</b> X1</p>
 <p><b>J1</b> X2 <b>J2</b> X2 <b>J3</b> X2 <b>J4</b> X2</p>	 <p><b>K</b> X8 M4x30</p>	 <p><b>L</b> X4 M5x50</p>
 <p><b>CL</b> x2 <b>DL</b> x2 <b>DR</b> x2 <b>CR</b> x2</p>		



1.

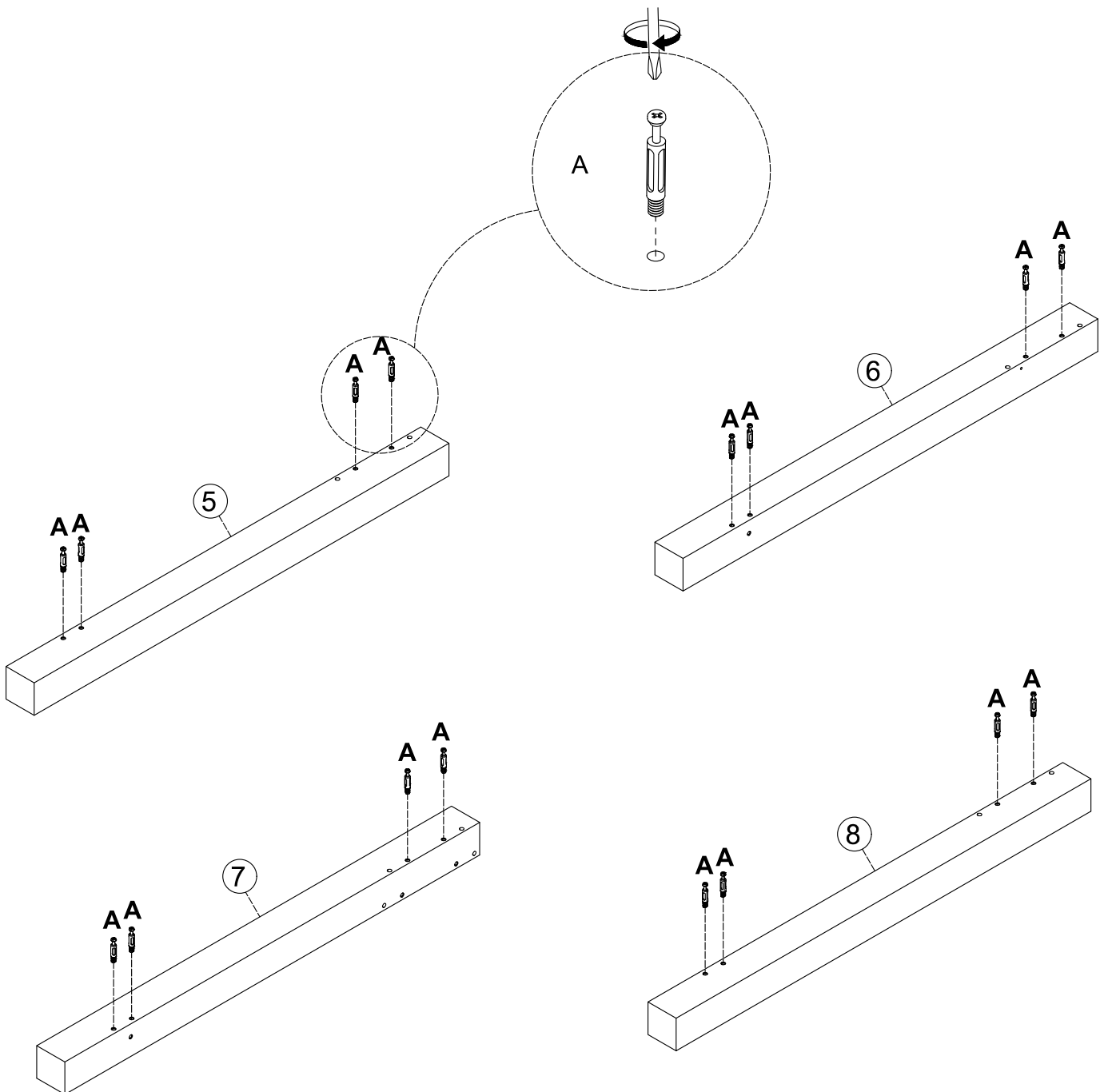
**REMARK:**

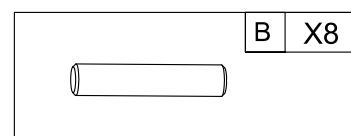
Please do not screw **A** too deep or too shallow.



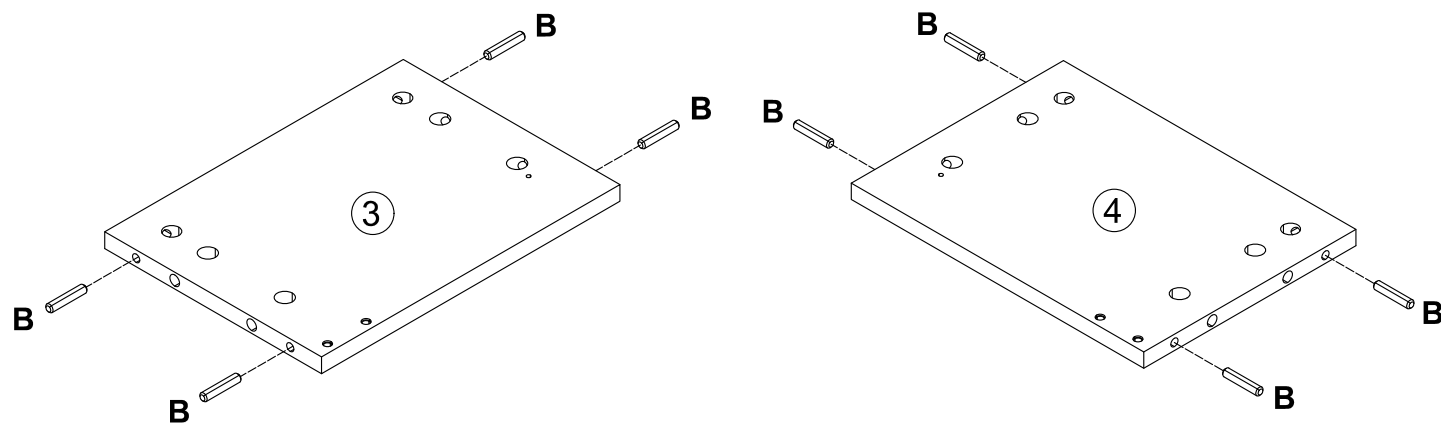
**REMARK :**

Put a blanket under the board to avoid scratch or damage.

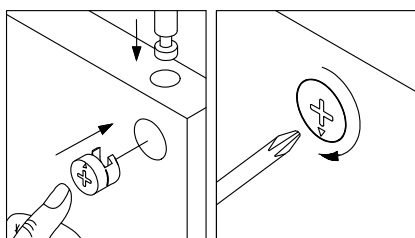
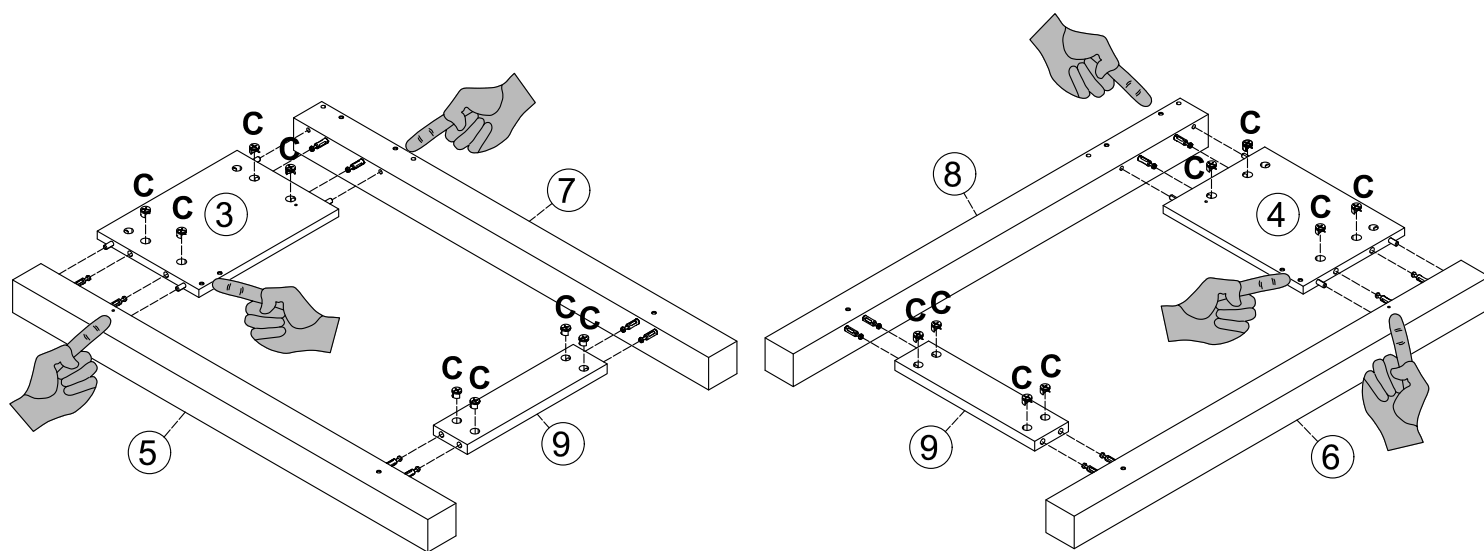
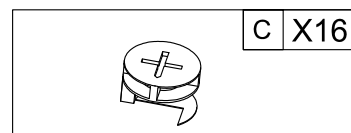





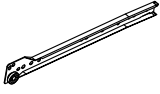
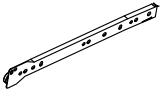
2.

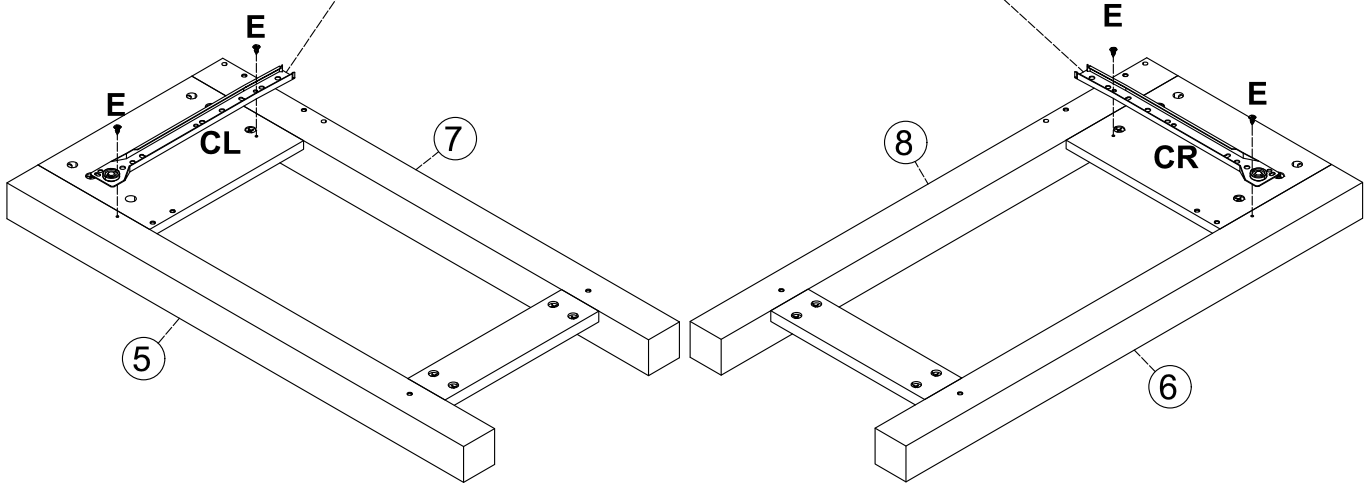
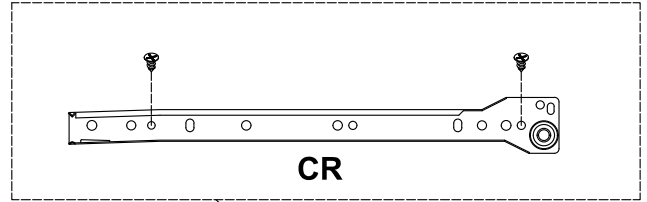
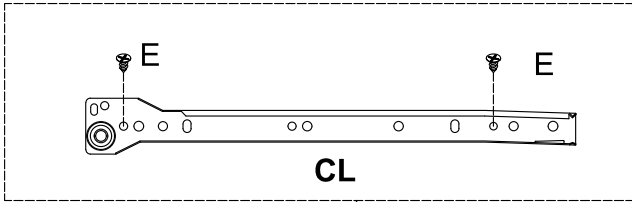


3.


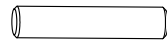


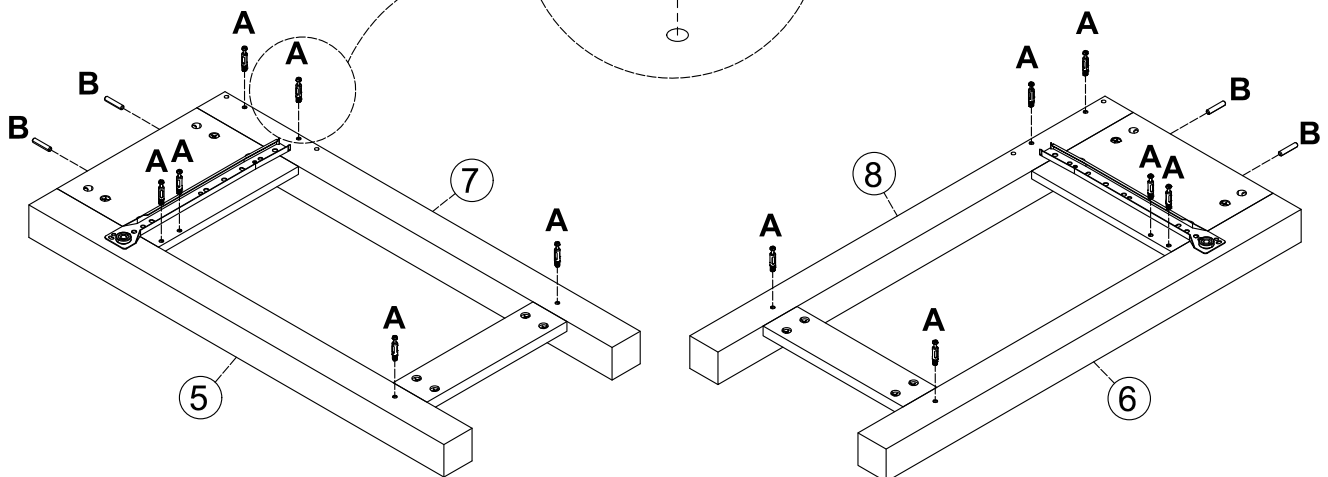
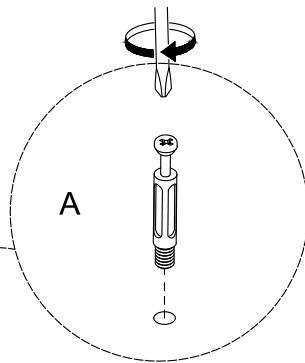
4.

	E X4		CL X1
			CR X1



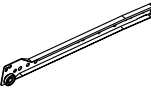
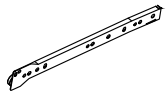


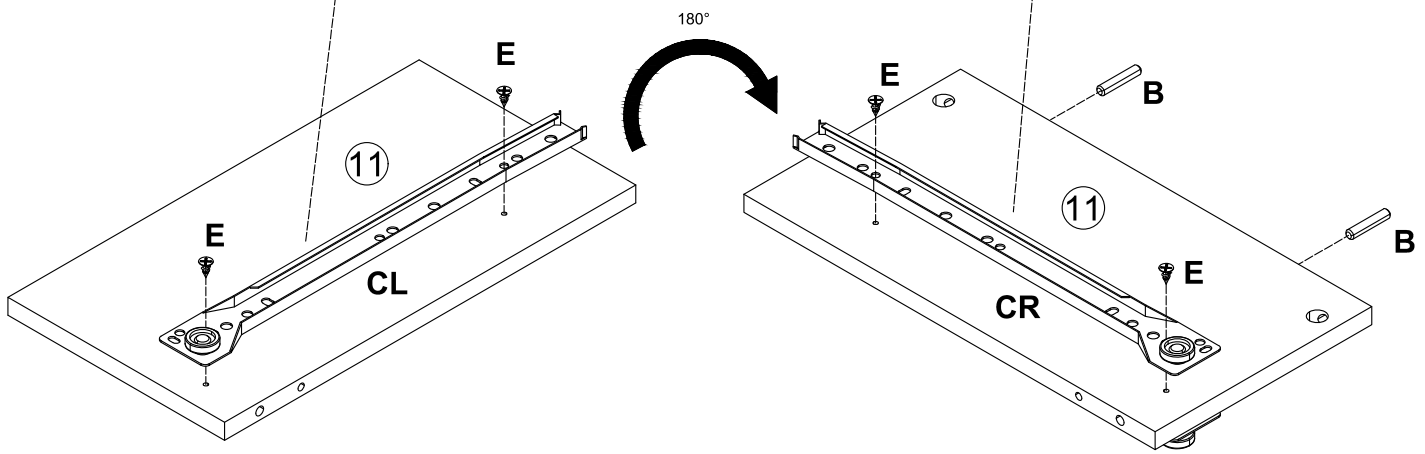
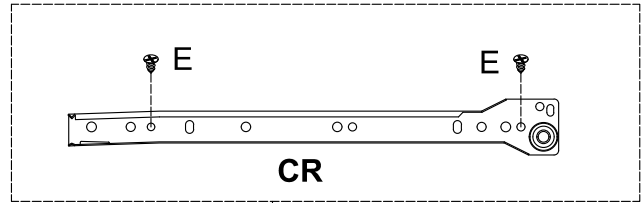
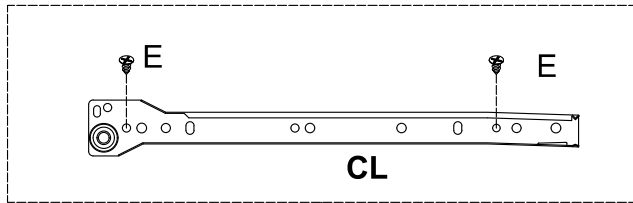
5.

	A X12
	B X4

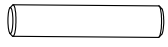


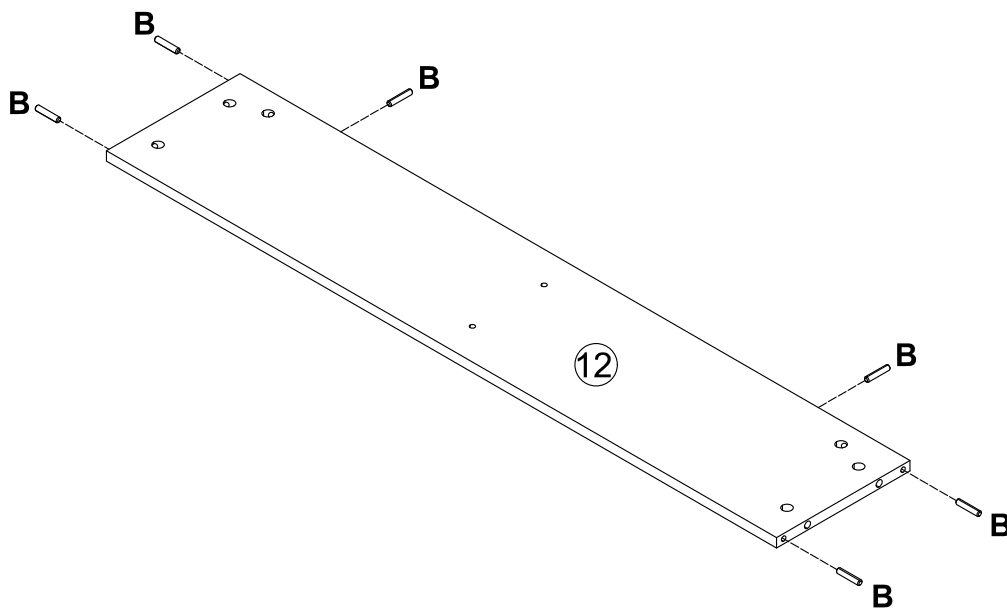
6.

	B X2		E X4
	CL X1		CR X1

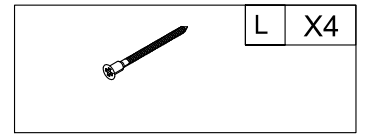
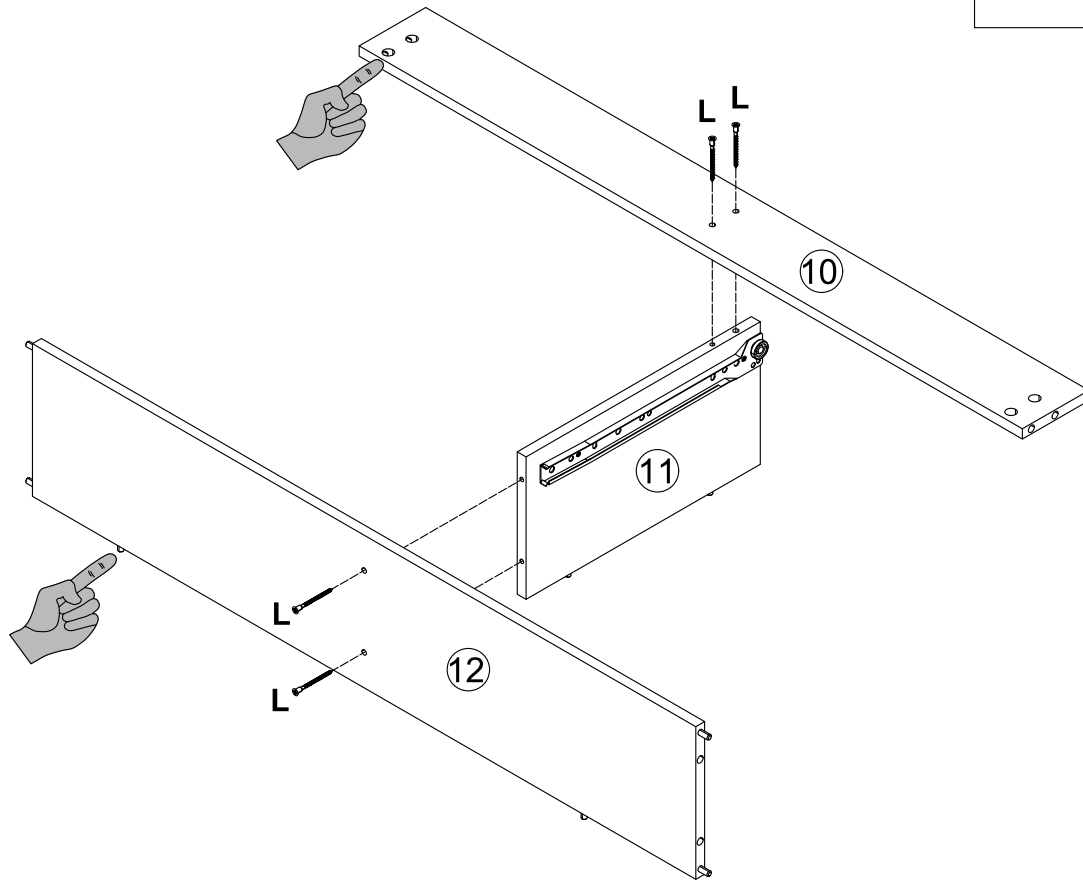


7.

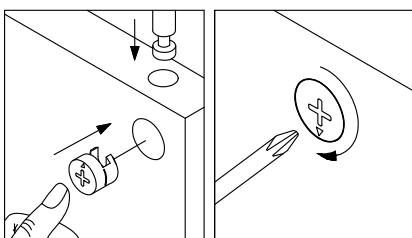
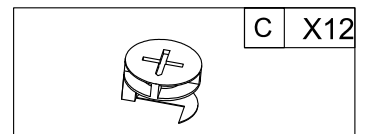
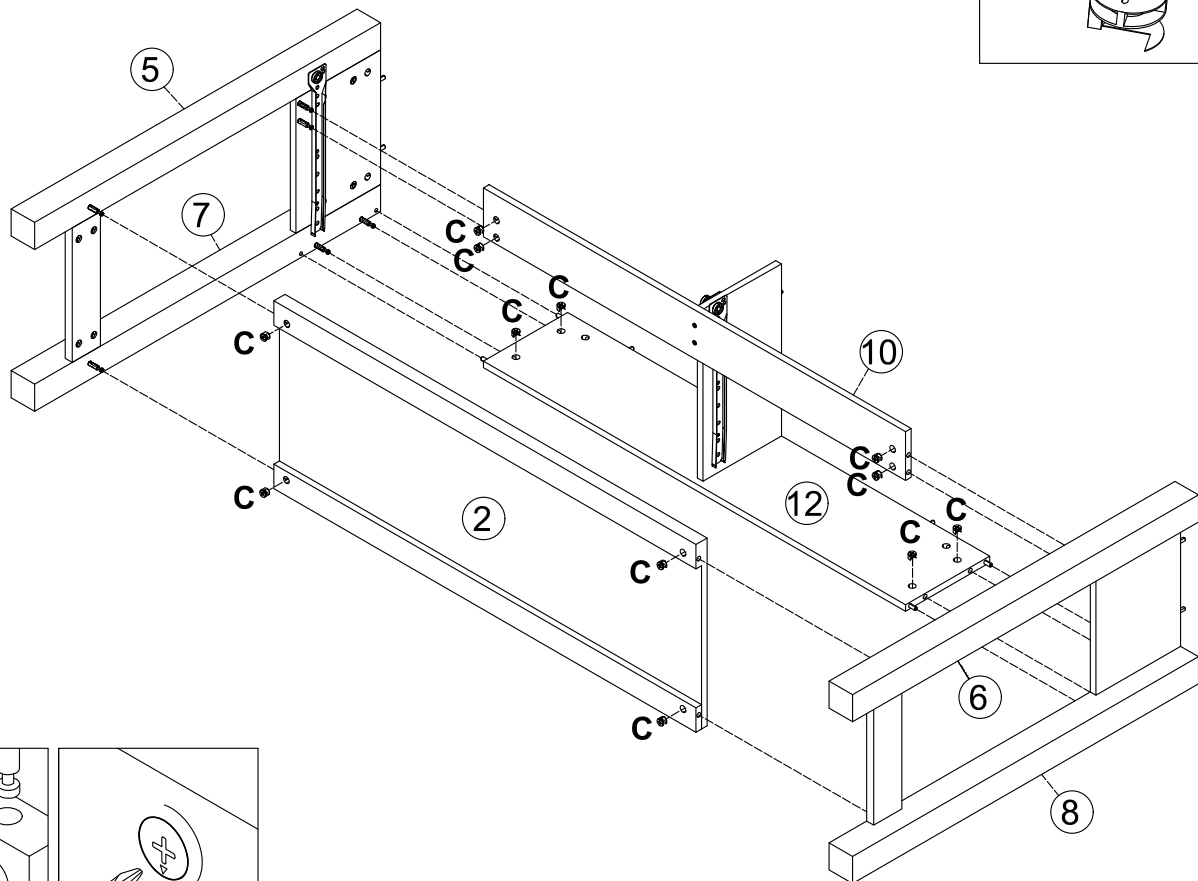
	B X6
---	------



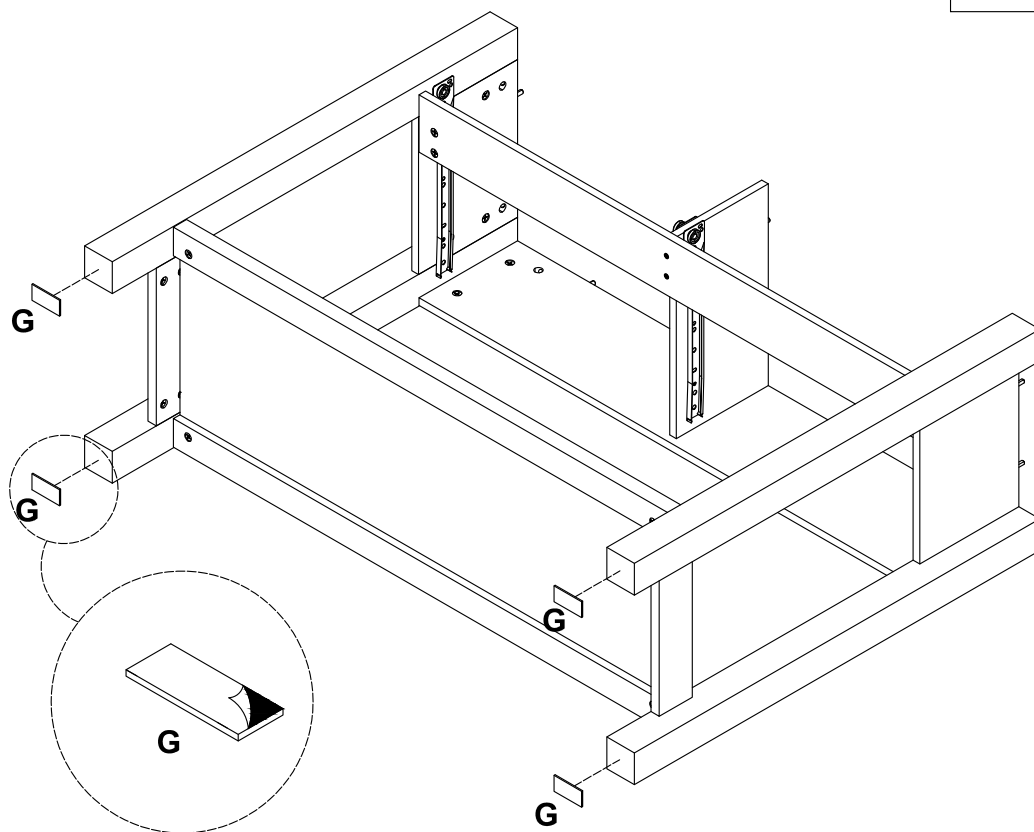
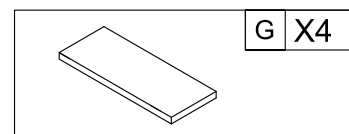
8.



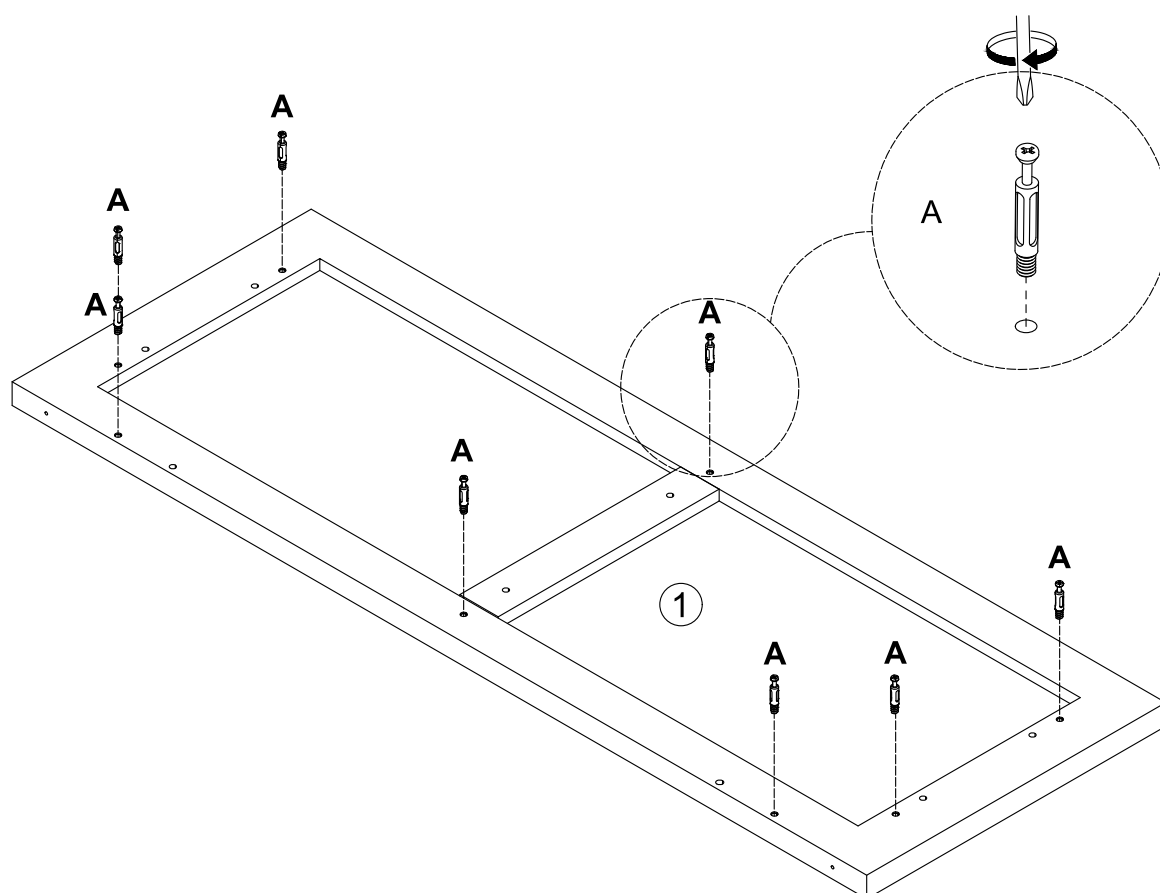
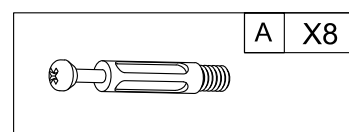
9.



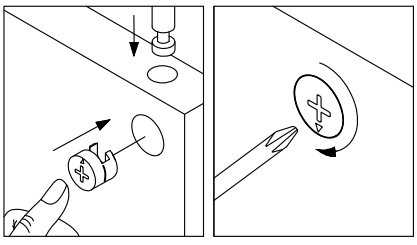
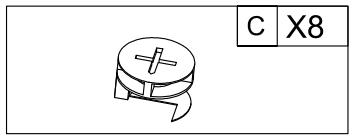
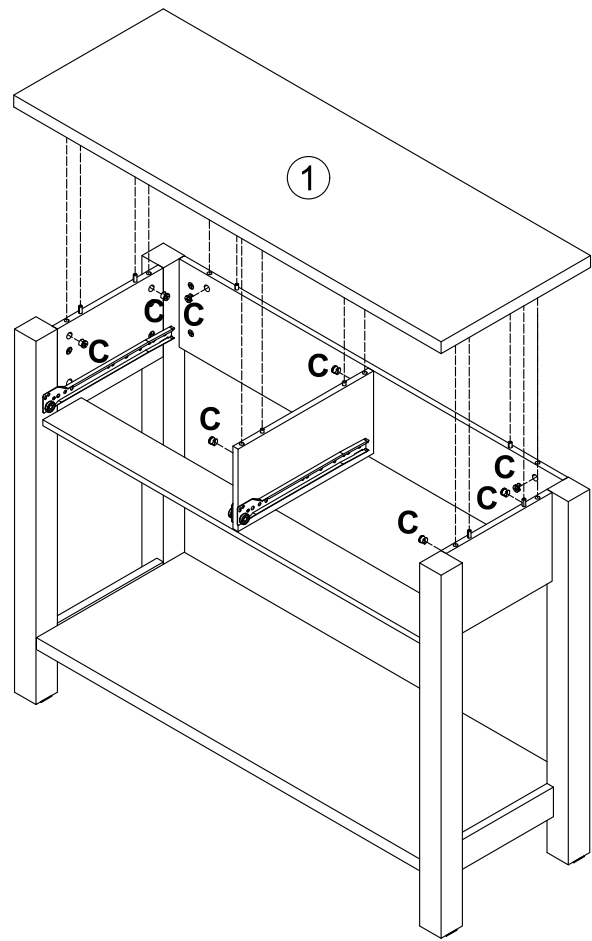
10.



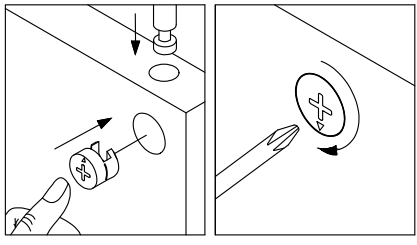
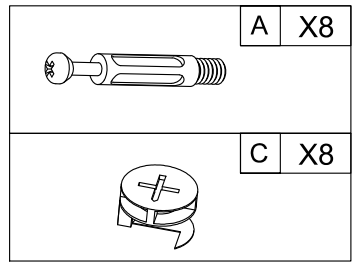
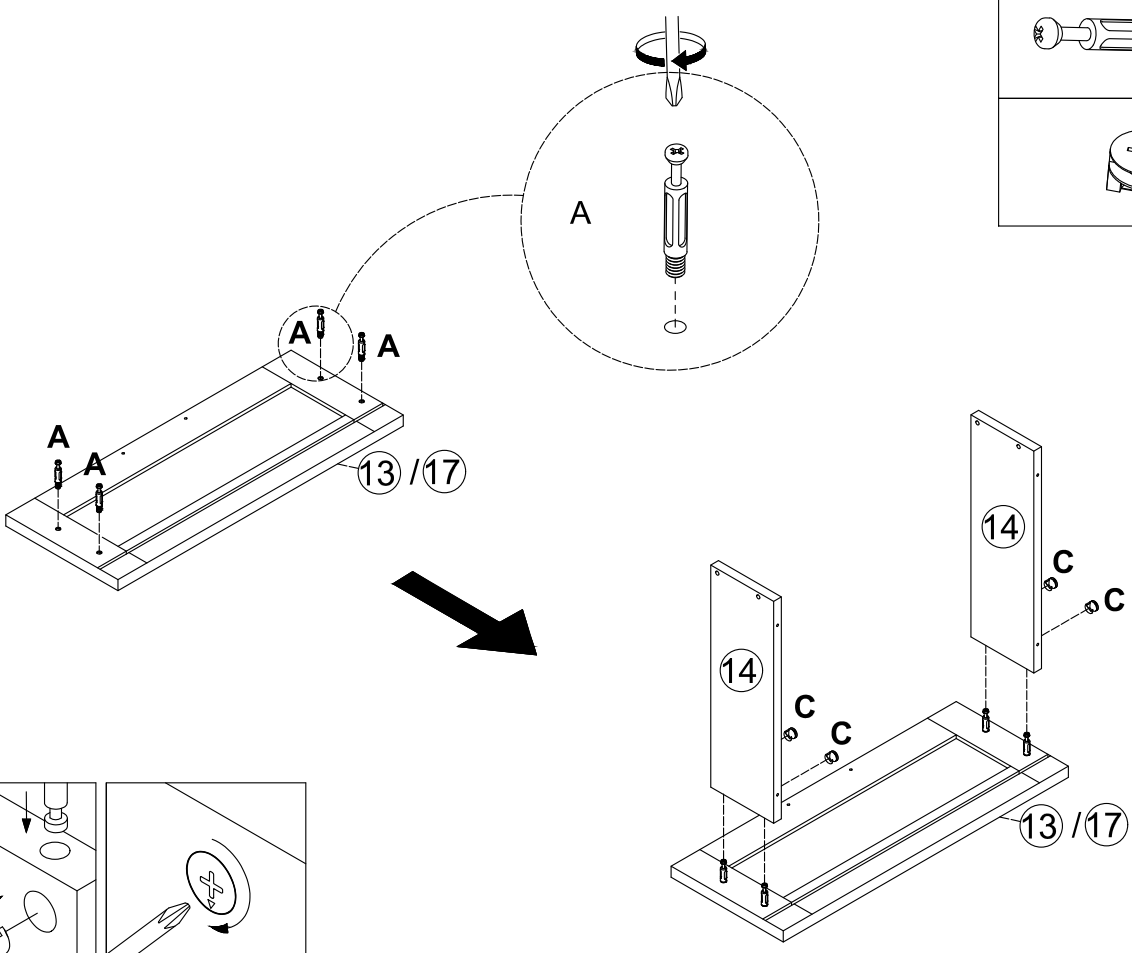
11.



12.

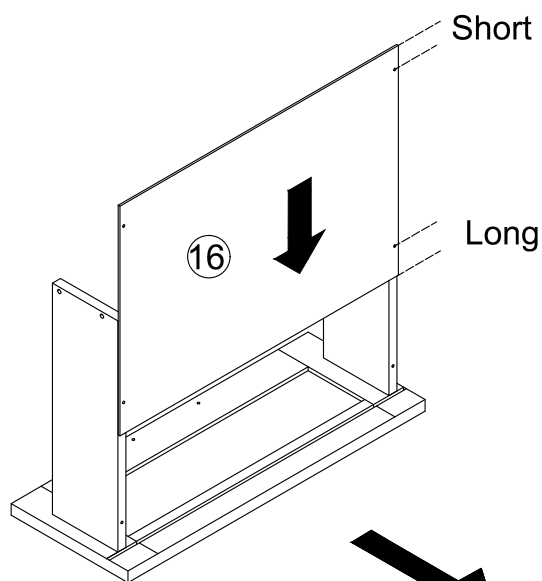


13.

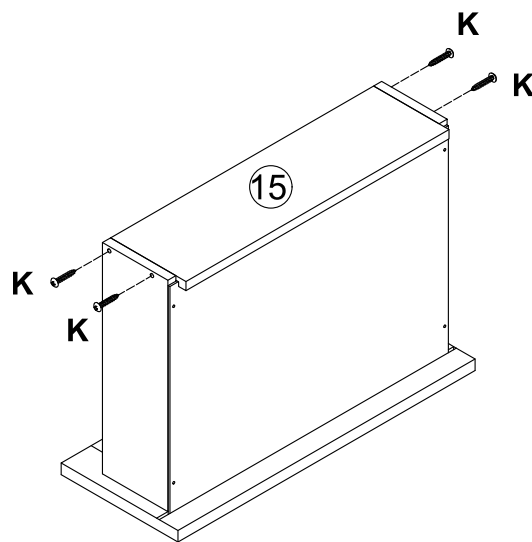
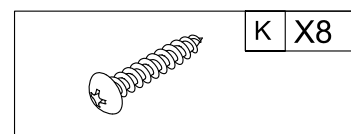


X2

14.

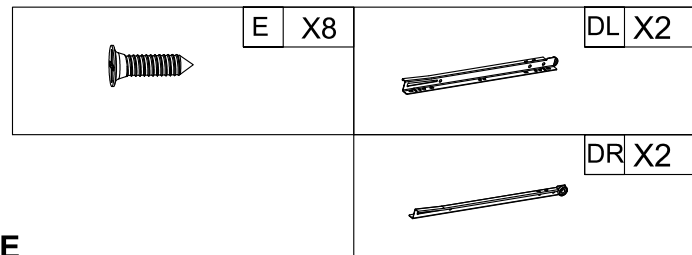
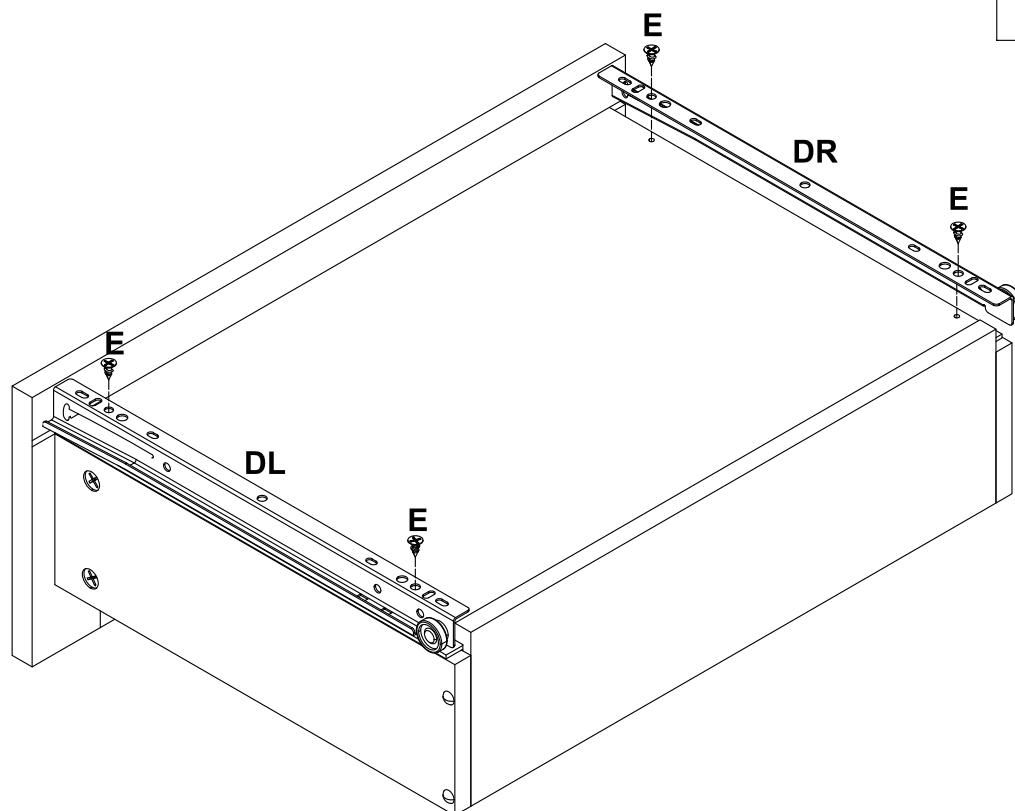


Note: Length of hole distance



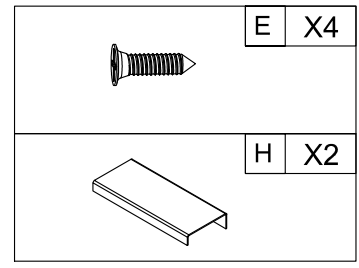
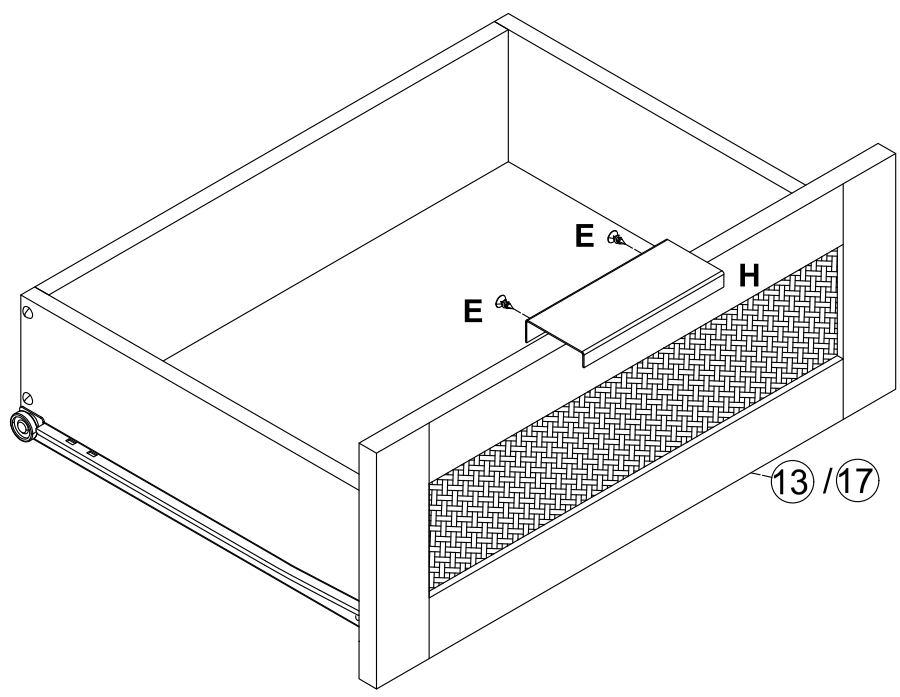
X2

15.



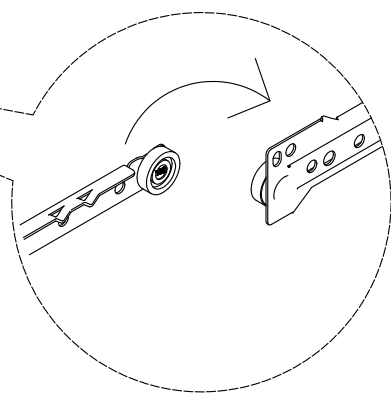
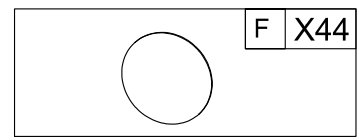
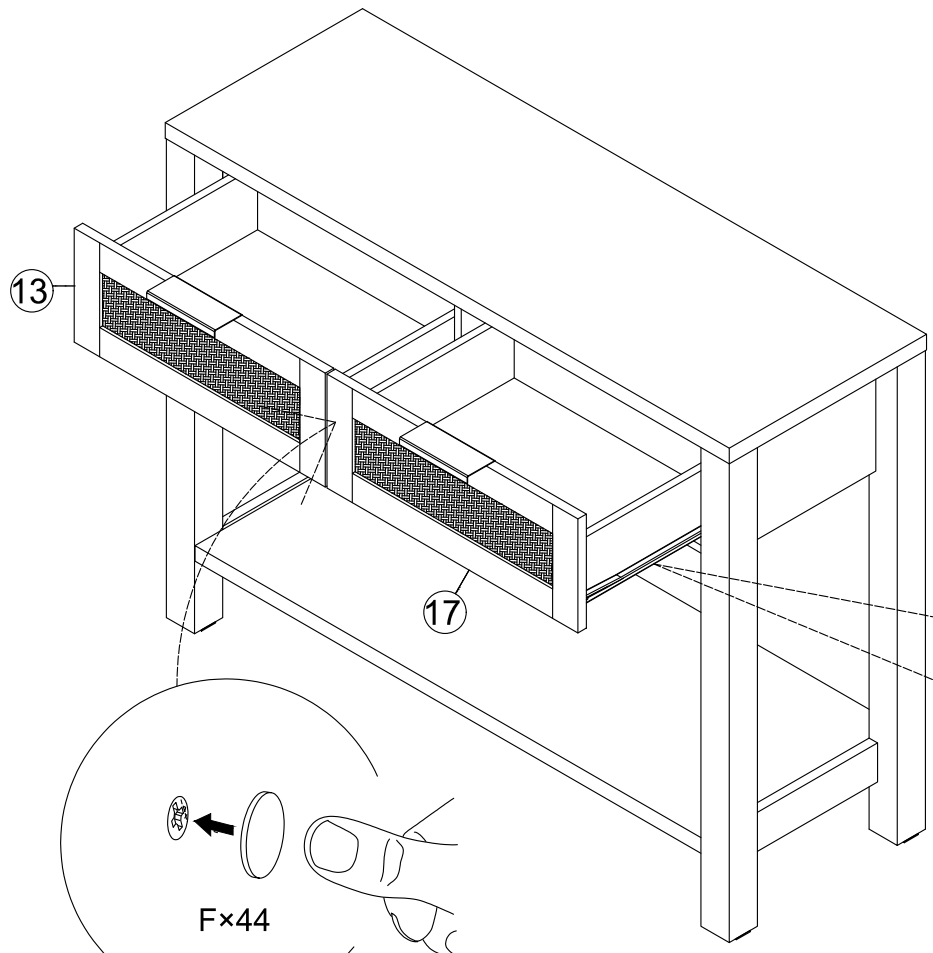
X2

16.







X2

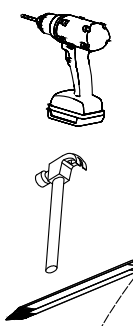
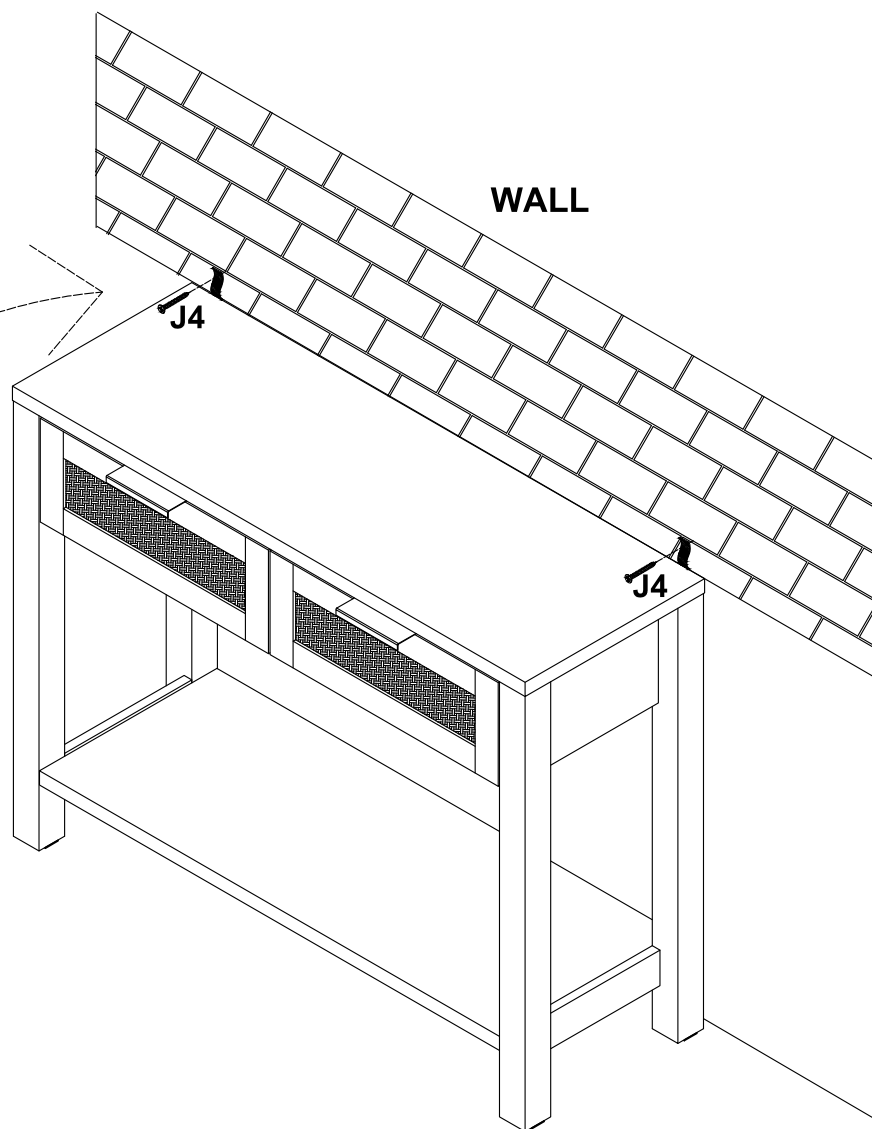
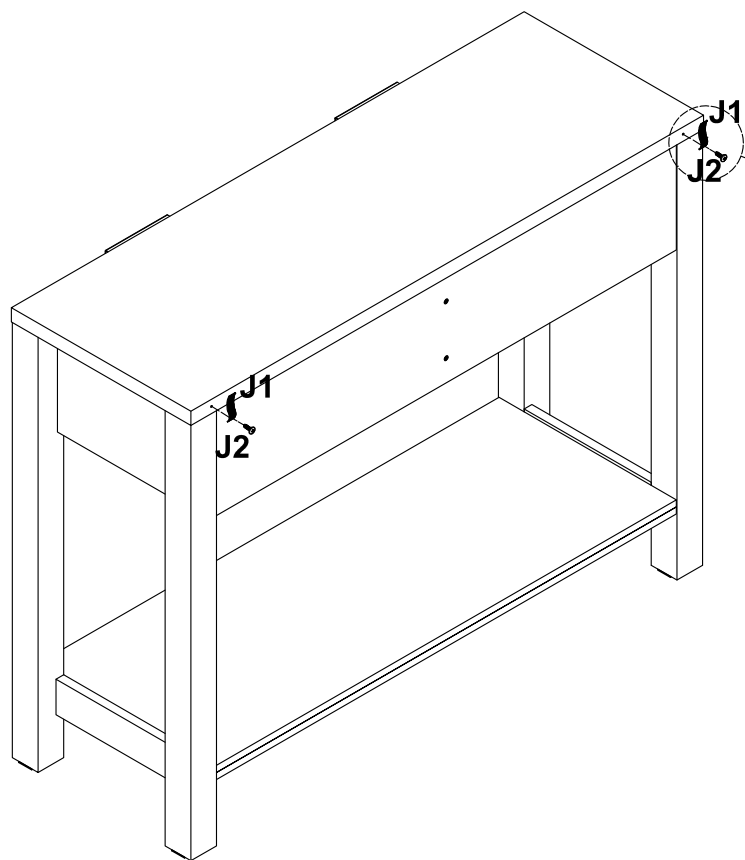
17.



Using Cover-up Sticker (F)\*44 to cover the exposed part of Screws.

18.

		J	X2
			
J1	J2	J3	J4



**WALL**

**I x2**

**WALL** +  
drilling hole  
Ø6x30mm

**II x2**

**WALL**

**J3**

**III x2**