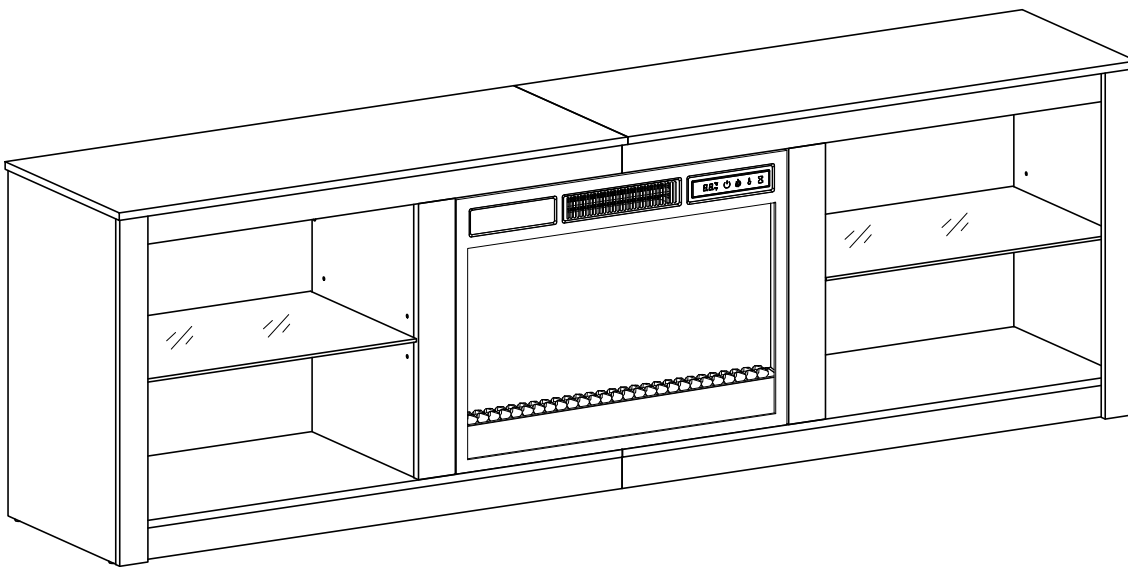


## ASSEMBLY INSTRUCTION



---

Know more about Bestier from



### CUSTOMER SUPPORT

**CONTACT US BY:**  
**PHONE: 888-666-1086**  
**EMAIL: [Service@bestier.net](mailto:Service@bestier.net)**

Thanks for choosing Bestier!  
Feel free to contact us if you need any help.  
Please kindly share your shopping experience  
with us on the platform if you are satisfied with it.

## HELPFUL HINTS

### BEFORE YOU START

- Inspect product packaging to ensure the appearance is good.
- Read the assembly instruction carefully and follow it step by step.
- To avoid any scratching, putting a soft blanket on the floor is suggested.
- Identify, sort and count all the parts with tags.
- Find out installation position according to the drawing and install it in correct steps.



### OTHER

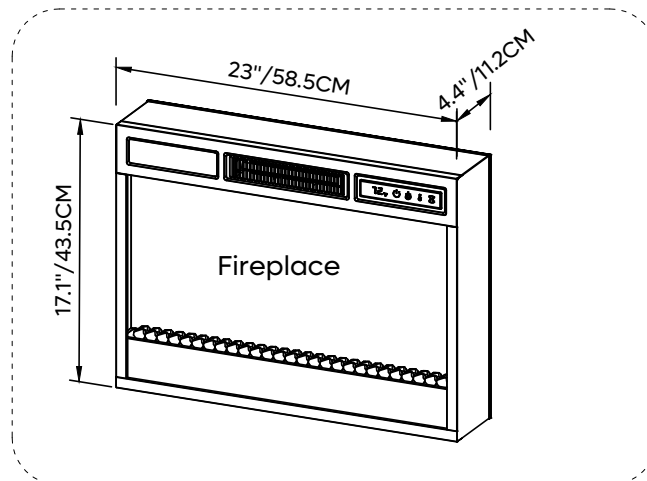
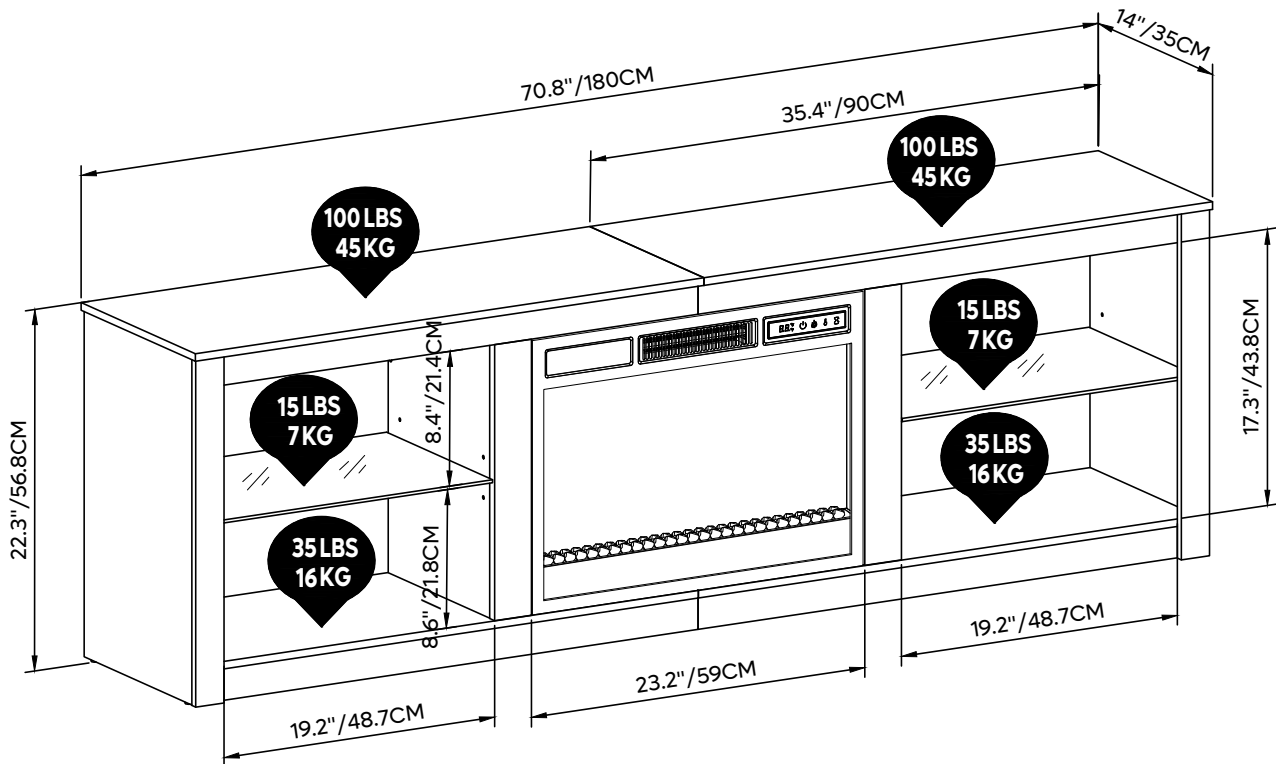
- People needed for assembly: 1-2.
- Estimated assembly time: 1.5-2h.

### CAUTION

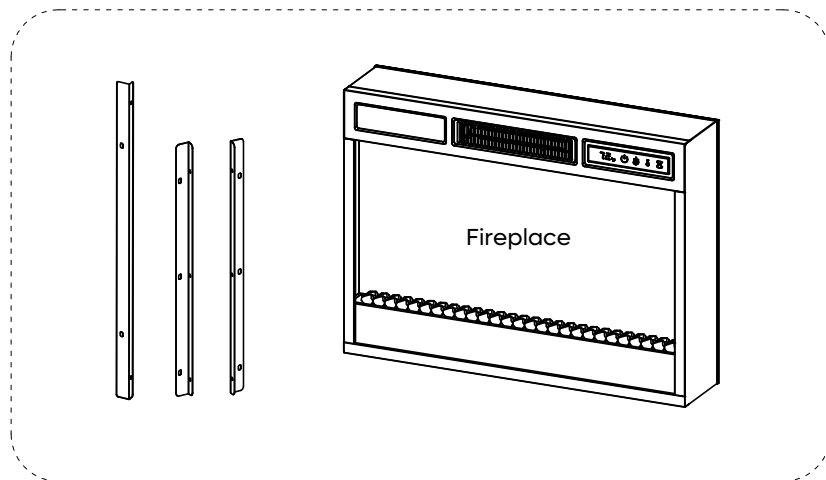
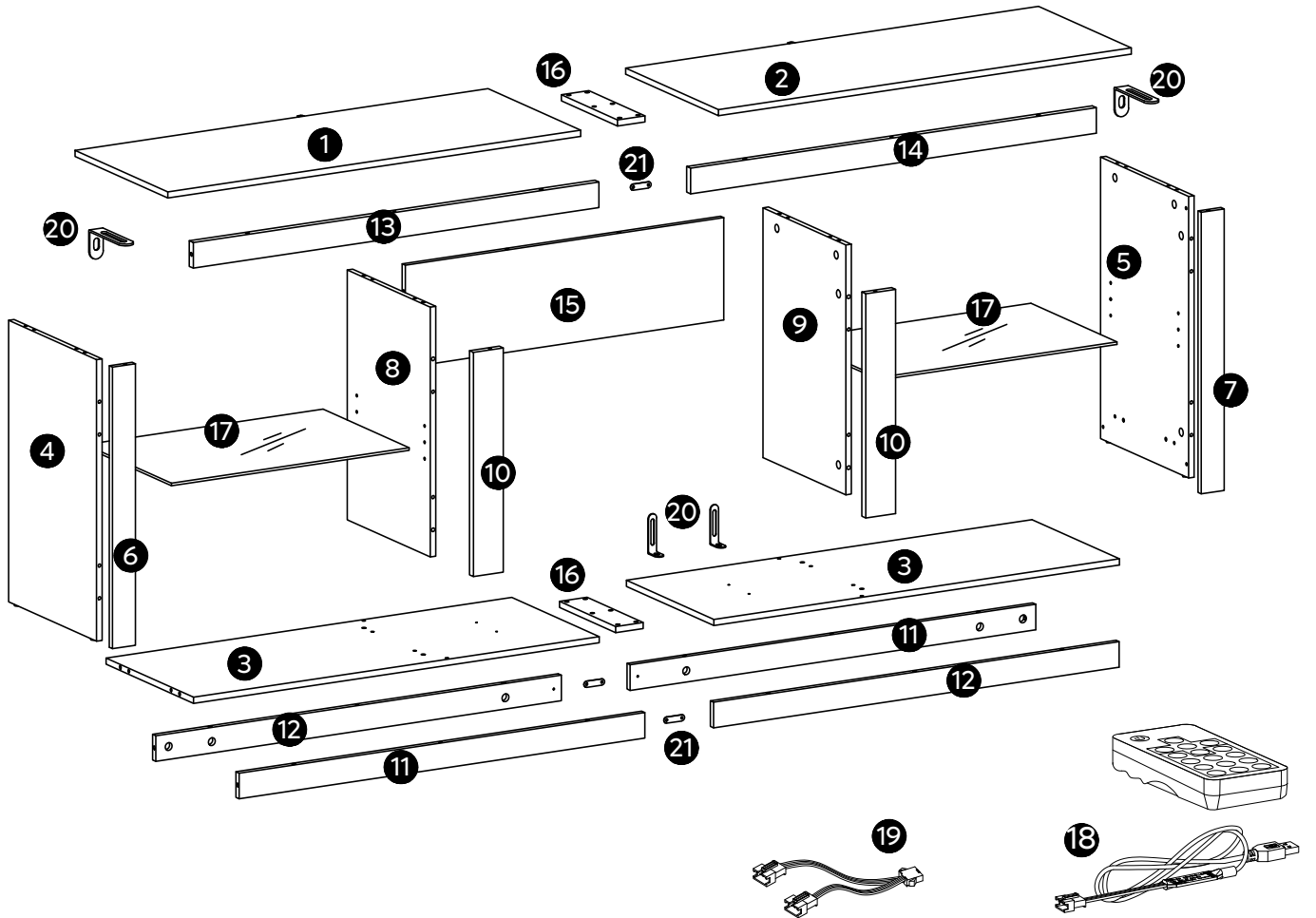
- Be cautious when using a power drill or power screwdriver.
- Please be aware to slow down and stop when screw is nearly tight.
- Do Not use any harsh chemicals or abrasive cleaners for this item.
- Push, pull or drag this item carefully.

## DETAILS

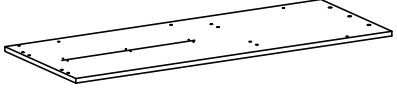
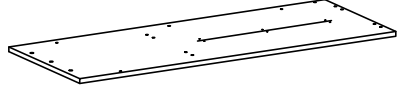
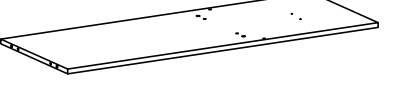
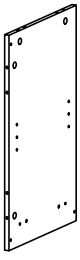
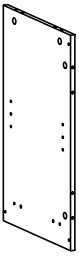


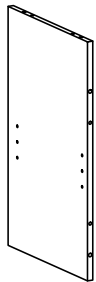
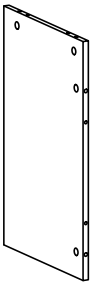





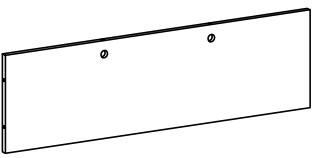
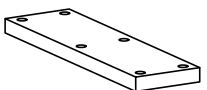

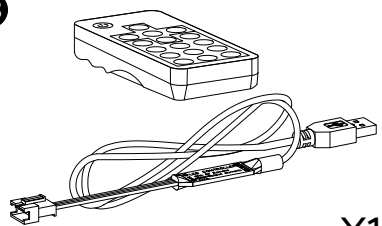
UNIT: INCH/CM



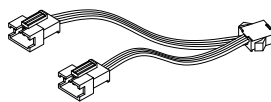


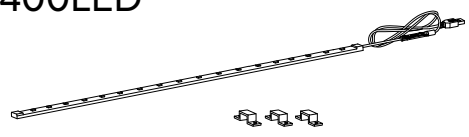
# DETAILS



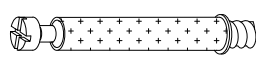

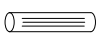


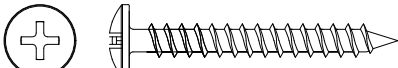
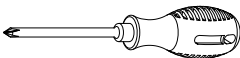

# PART LIST

<b>1</b>  X1	<b>2</b>  X1	<b>3</b>  X2
<b>4</b>  X1	<b>5</b>  X1	<b>6</b>  X1
<b>7</b>  X1	<b>8</b>  X1	<b>9</b>  X1
<b>10</b>  X2	<b>11</b>  X2	<b>12</b>  X2
<b>13</b>  X1	<b>14</b>  X1	<b>15</b>  X1
<b>16</b>  X2	<b>17</b>  X2	<b>18</b>  X1

# PART LIST

<p>19</p>  <p>X1</p>	<p>20</p>  <p>X4</p>	<p>21</p>  <p>X3</p>
<p>005-400LED</p>  <p>X2</p>		

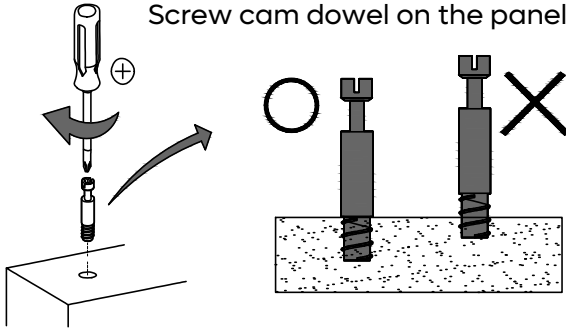
# ACCESSORY LIST

<b>A</b>	ST6x35mm	40+2	
<b>B</b>	Ø15mm	40+2	
<b>C</b>	Ø6x30mm	36+4	
<b>D</b>	M6x20mm	12+1	
<b>E</b>	ST5x35mm	8+1	
<b>F</b>	ST3.5x10mm	22+1	
<b>G</b>		8	
<b>H</b>	ST4x35mm	2	
<b>I</b>	Ø8mm	2	
		1	
	M4	1	

# Detailed Installation for Accessory A B

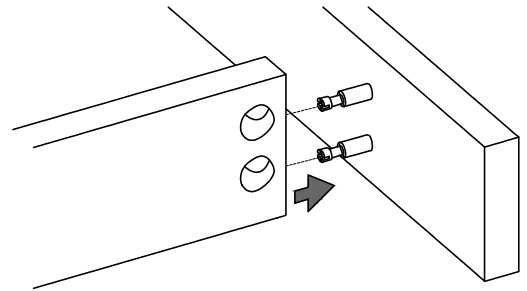
**1**

Screw cam dowel on the panel.



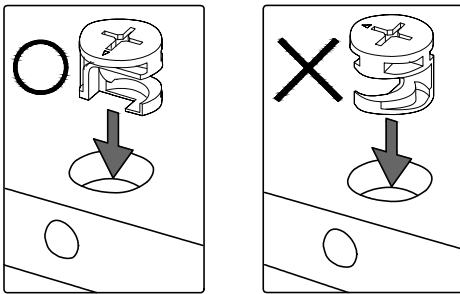
**2**

Place another panel via the dowel.



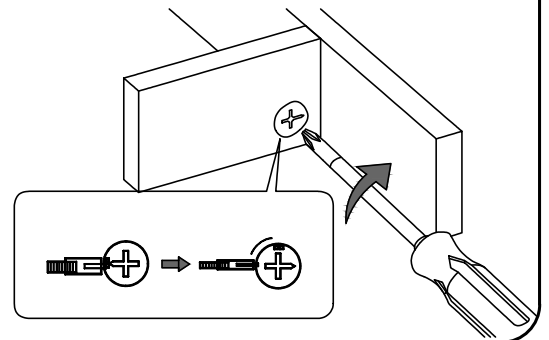
**3**

Pay attention to the direction of cam lock when putting it into hole.



**4**

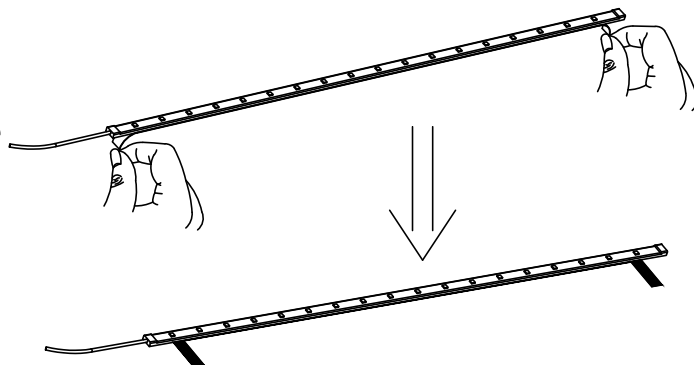
Tighten up cam lock clockwise until it stops.



## Detailed Installation for LED Strip

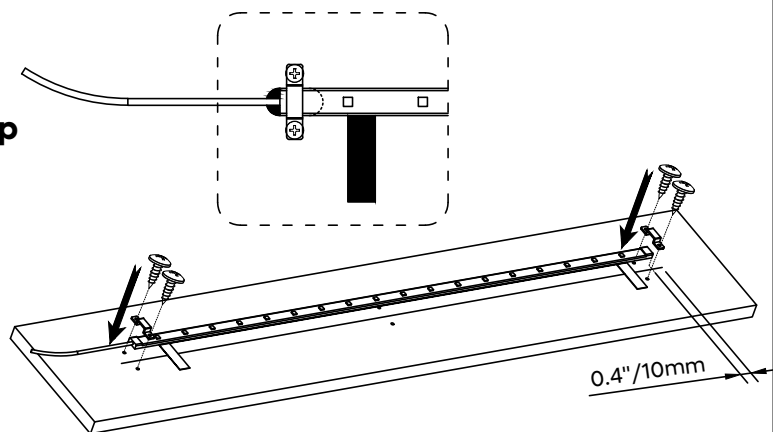
**1**

- Remove about 25mm (1") of adhesive tape at both ends of LED light strip.



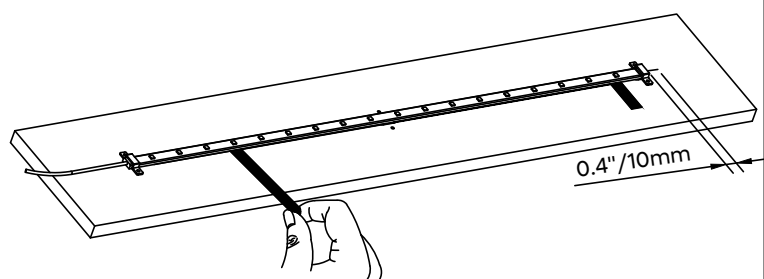
**2**

- The head and tail of the LED light strip are pasted in a straight line, and the fixing parts at both ends are locked with screws.



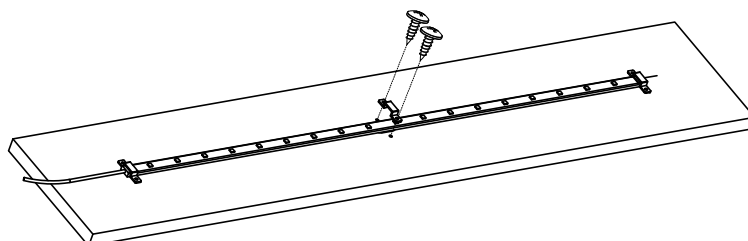
**3**

- Tear off the whole protective paper, and flatten the strip light so that the LED light strip is completely adhered to the wood.

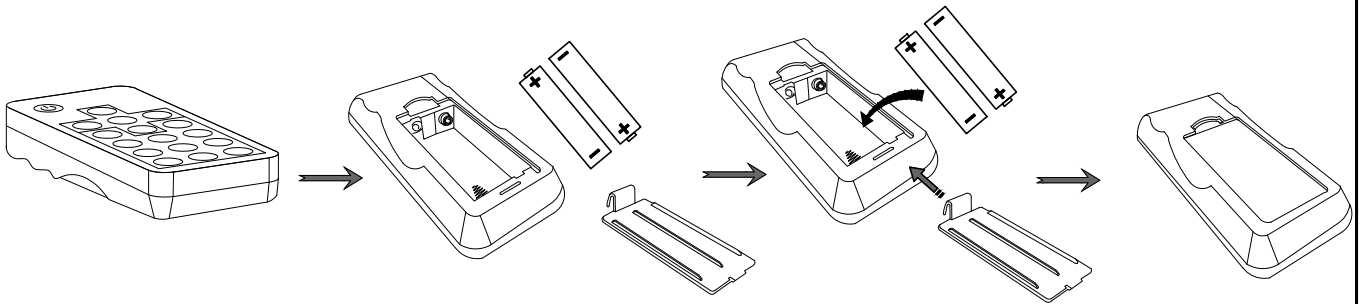


**4**

- Lock the remaining fixings.



## ※Remote control battery installation procedure

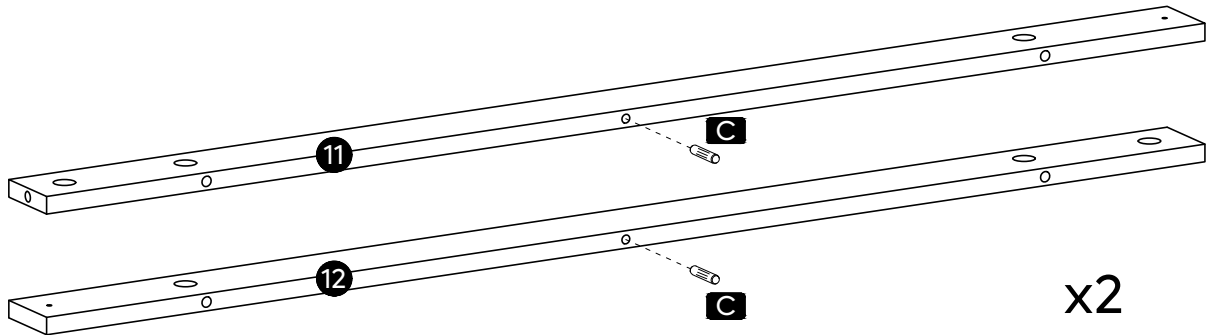


1. The battery compartment is located on the back end of the remote control.
2. Press and slide the battery door open.
3. Insert 2 AAA batteries, checking that the + and - sides of the battery match inside the battery compartment.
4. Replace the battery compartment door.
5. Batteries are not included in the package due to safety transportation.

**Note:**

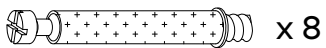
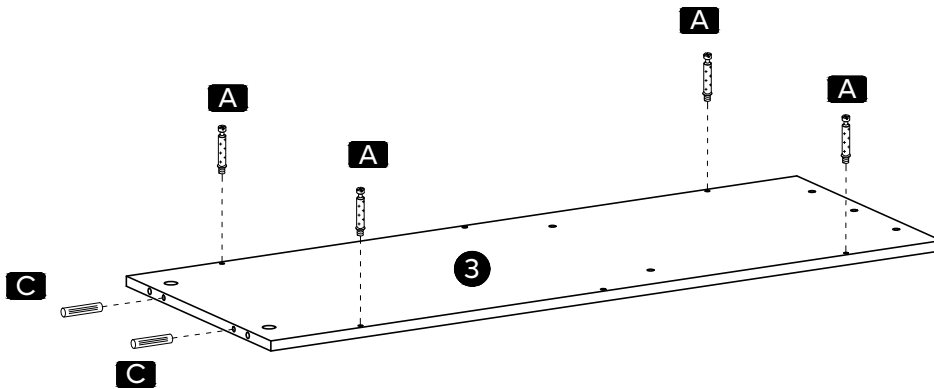
- A. Do not mix old and new batteries together in the remote.
- B. Do not mix alkaline, standard(carbon-zinc), or rechargeable (NiCad, NiMh, etc.) batteries together.

1

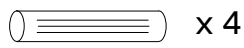


**C** Ø6x30mm

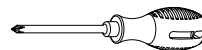
2



**A** ST6x35mm

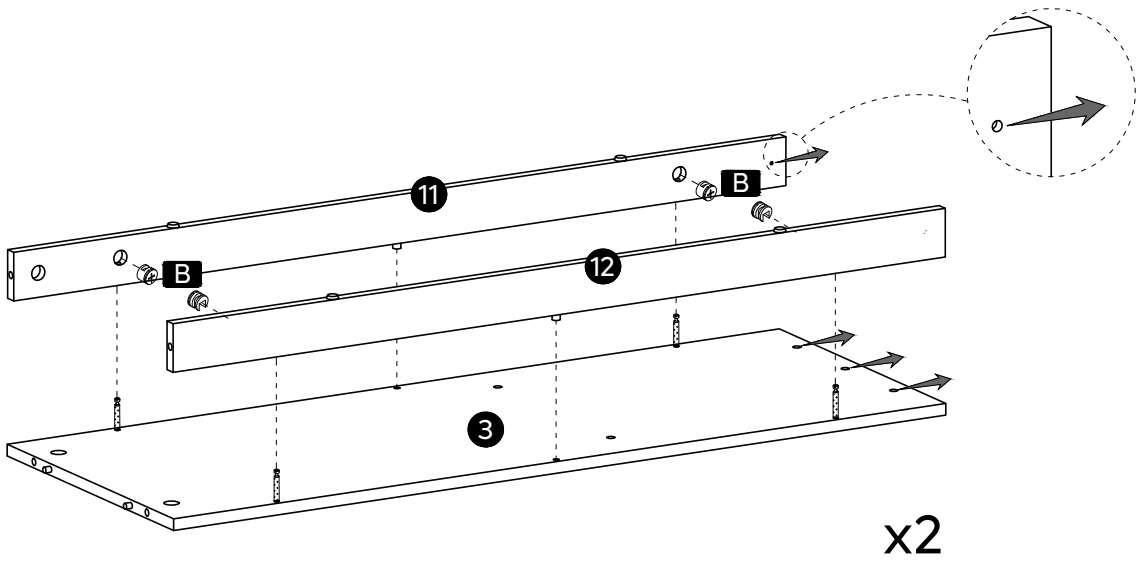


**C** Ø6x30mm



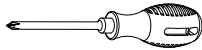
L1003180

### 3

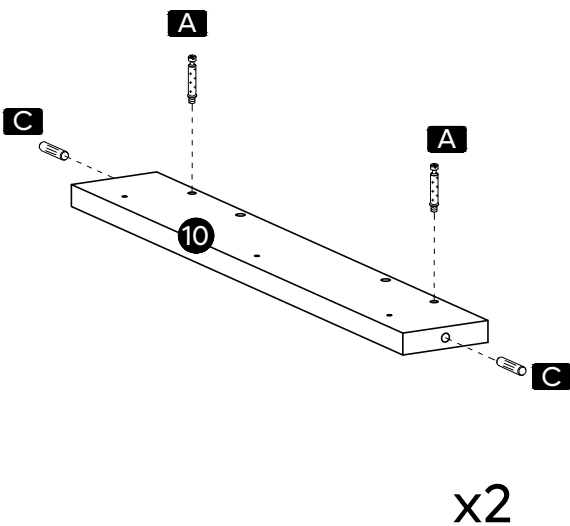


x 8

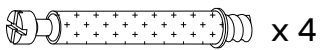
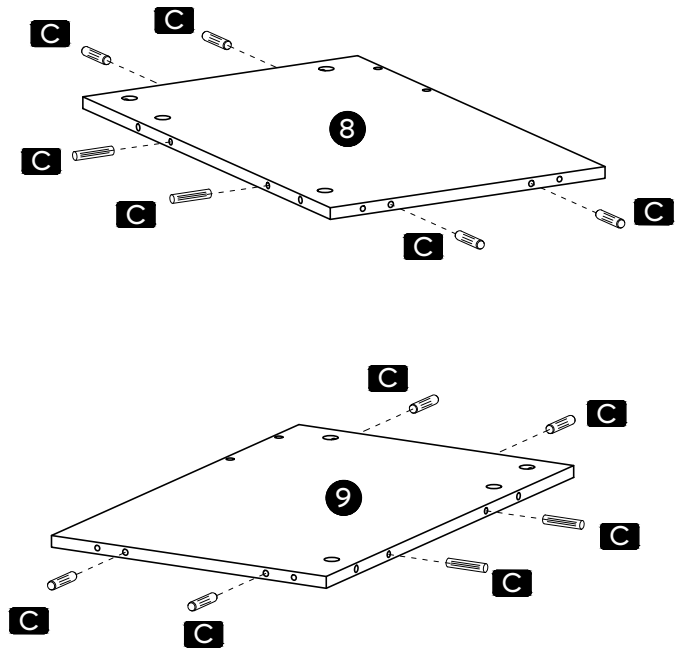
**B** Ø15mm



### 4

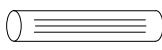


x2



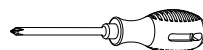
x 4

**A** ST6x35mm

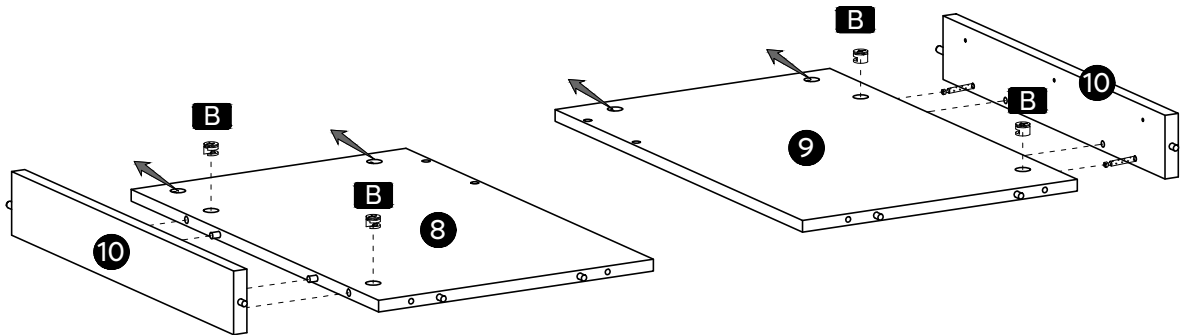



x 16

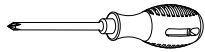
**C** Ø6x30mm



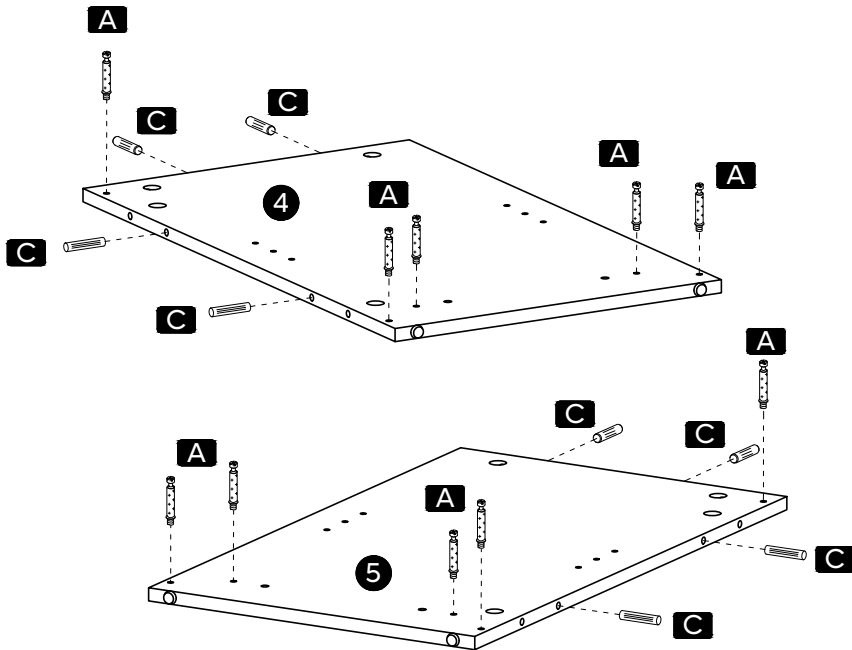
# 5

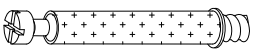


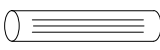
 x 4  
**B** Ø15mm

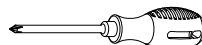


# 6



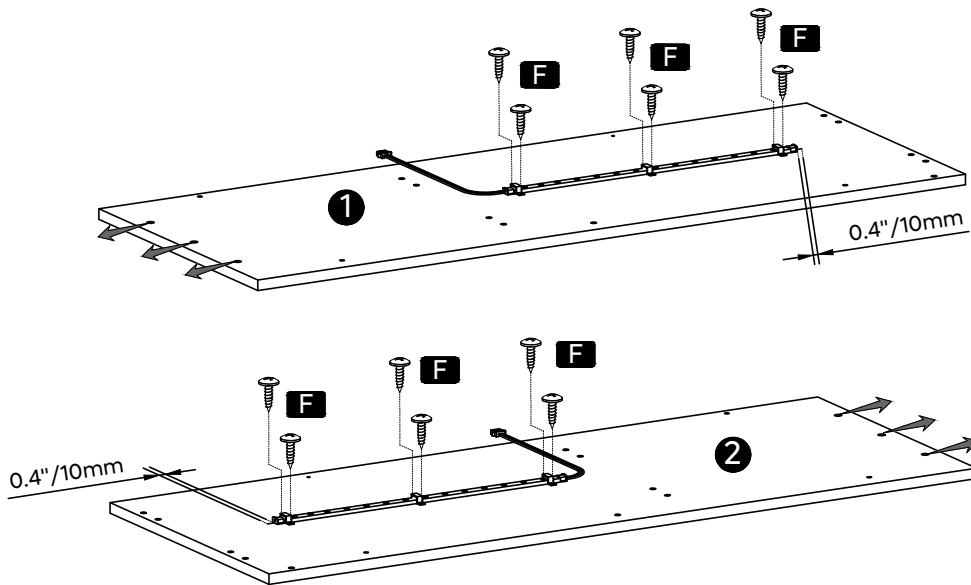
 x 10  
**A** ST6x35mm

 x 8  
**C** Ø6x30mm



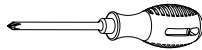
# 7

• Please refer to "Detailed Installation for LED Strip" on page "7".

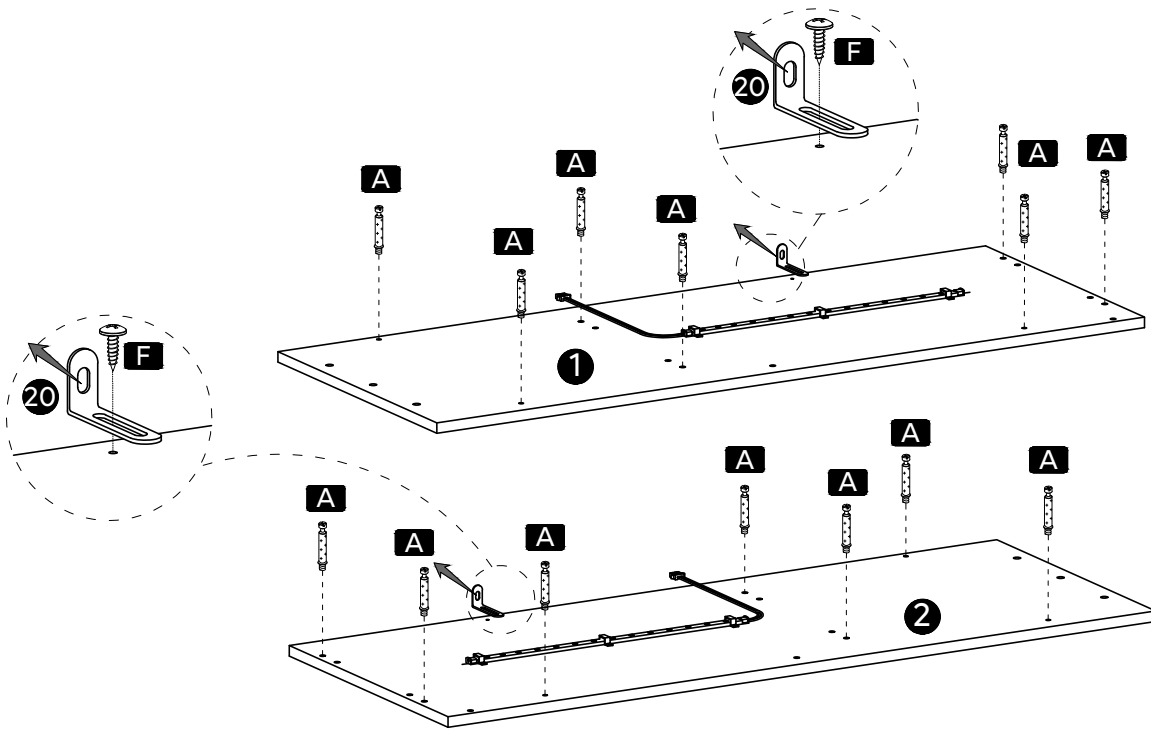


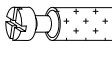
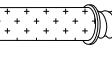


 x 12  
**F** ST3.5x10mm



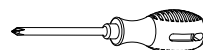
# 8



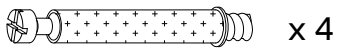
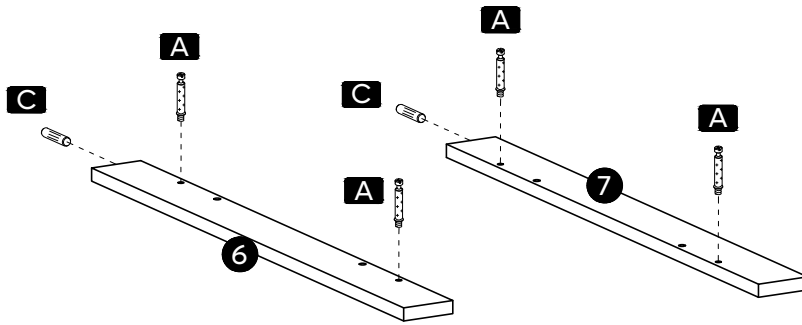


 x 14  
**A** ST6x35mm



 x 2  
**F** ST3.5x10mm

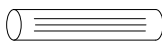


9



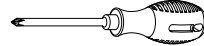
x 4

**A** ST6x35mm

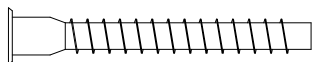
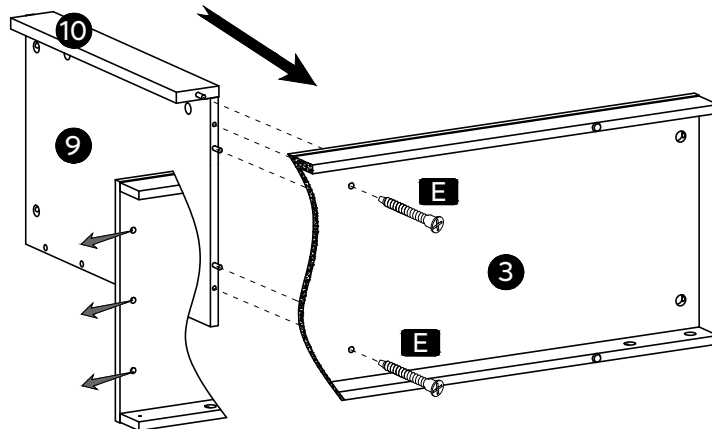


x 2

**C** Ø6x30mm

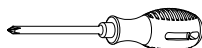


10

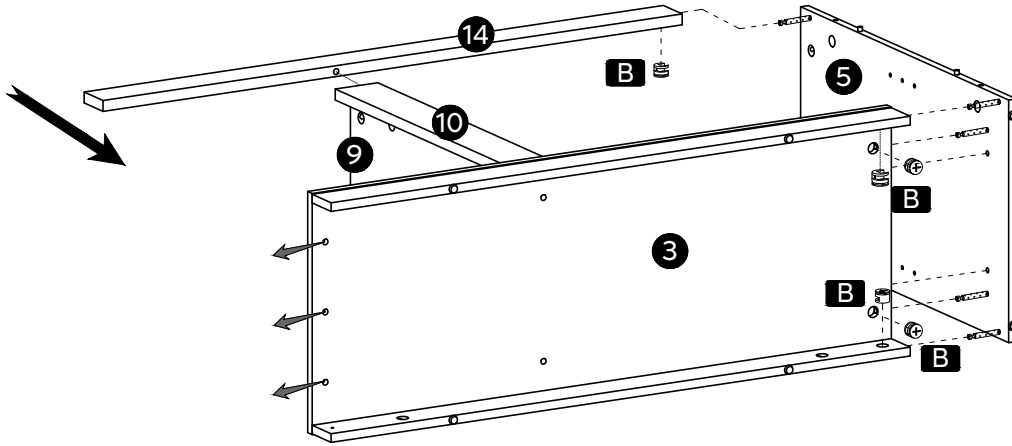


**E** ST5x35mm

x 2

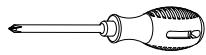


11

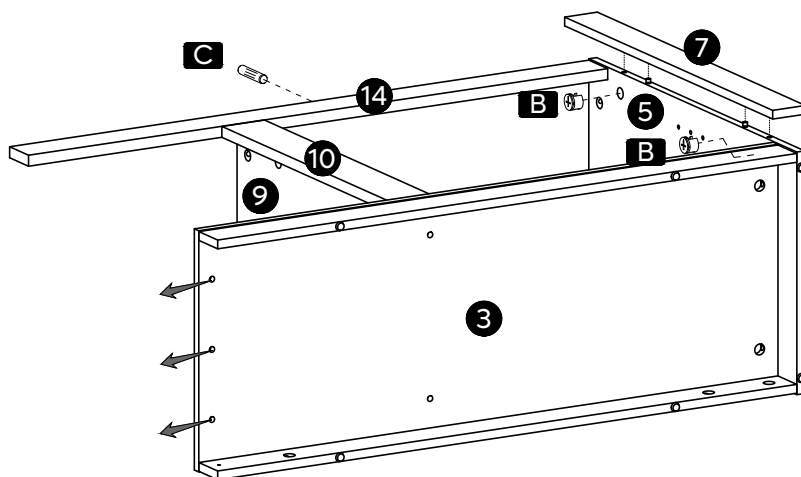


x 5

**B** Ø15mm

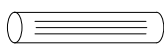


12



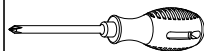
x 2

**B** Ø15mm

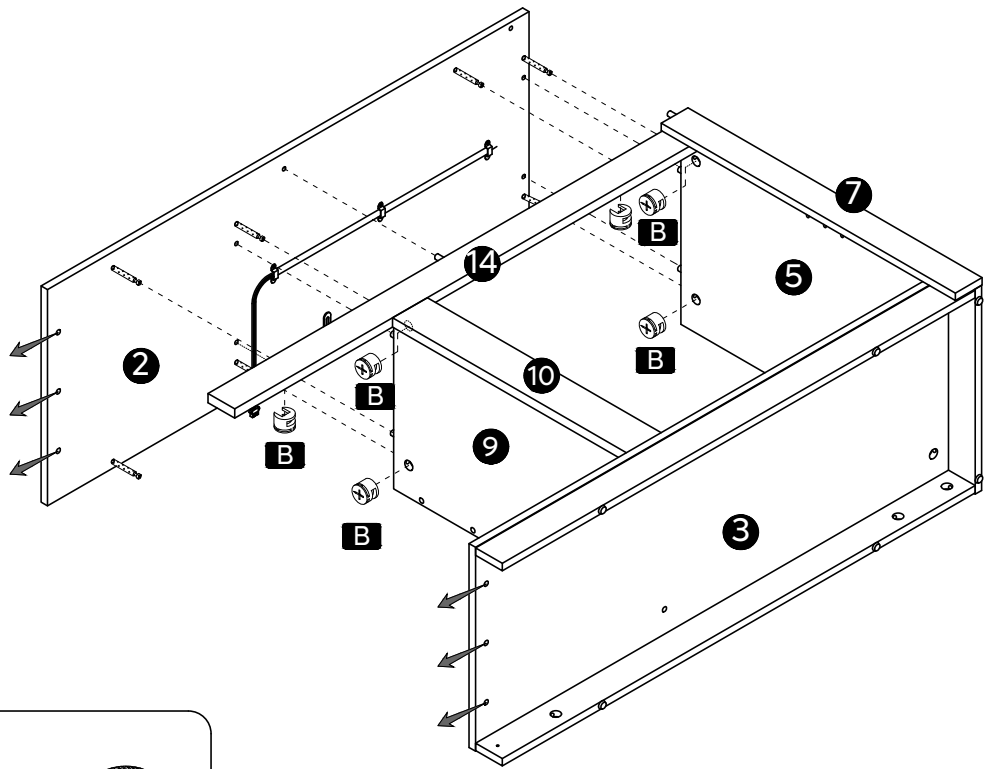


x 1

**C** Ø6x30mm

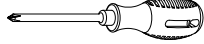


13

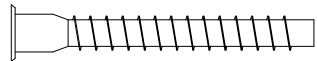
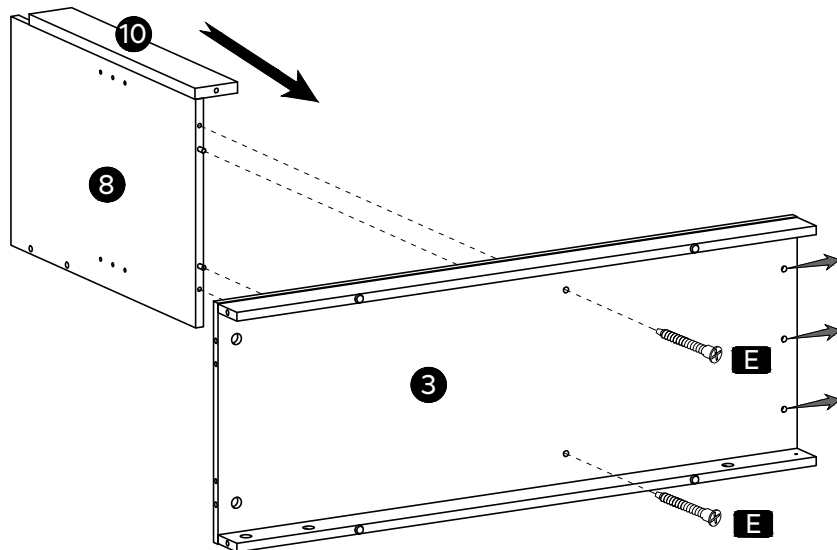


x 6

**B** Ø15mm



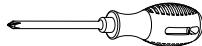
14



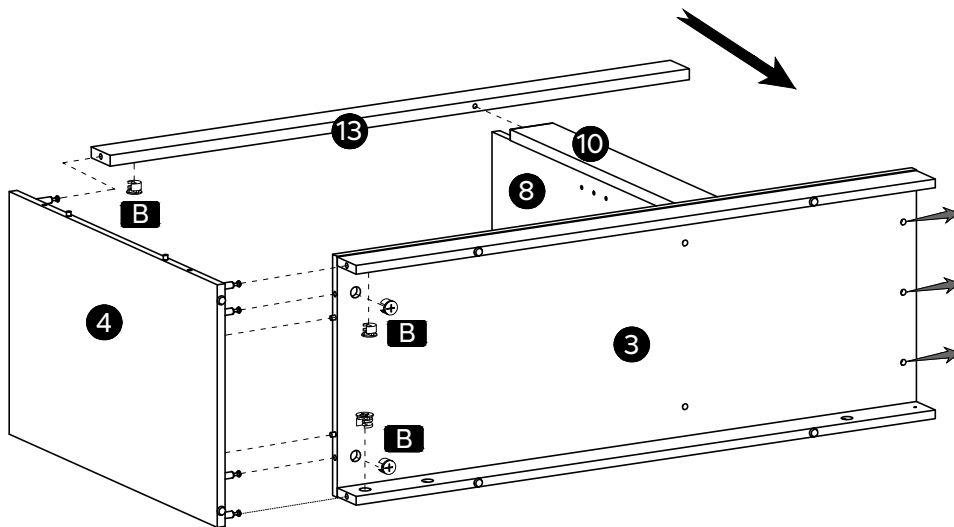
**E**

ST5x35mm

x 2

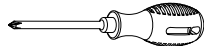


15

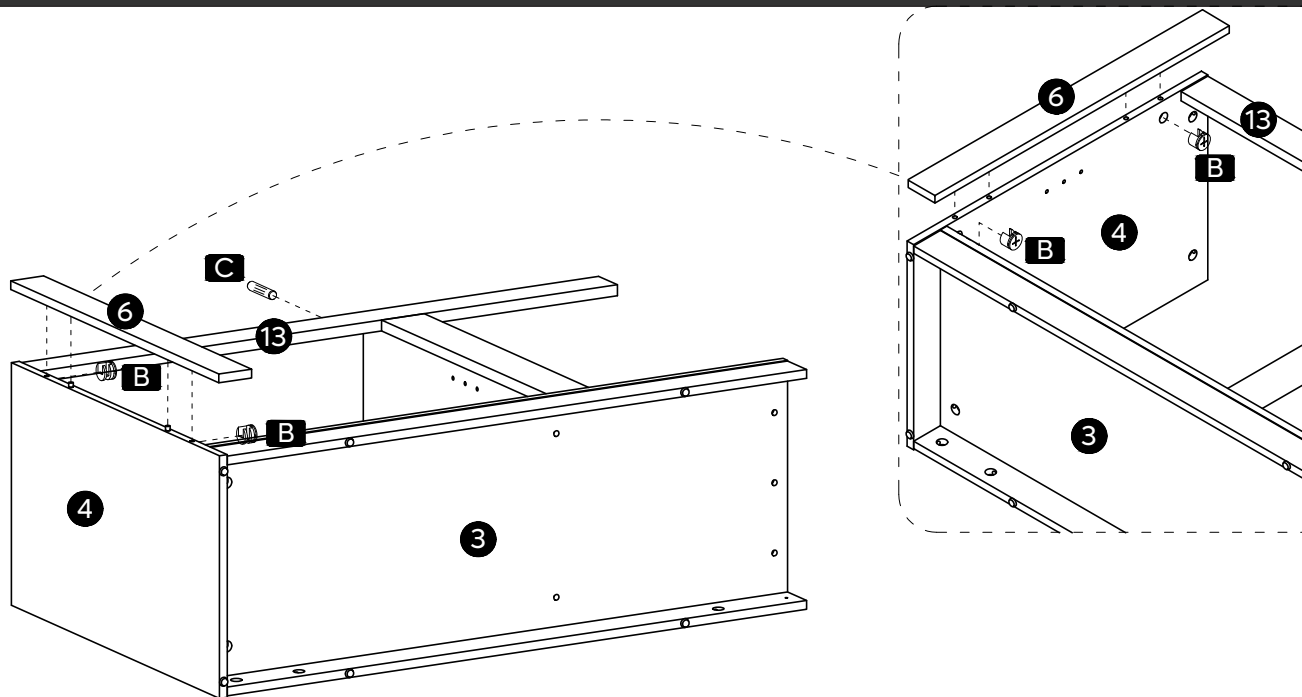


x 5

**B** Ø15mm

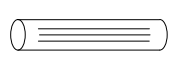


16



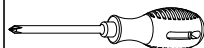
x 2

**B** Ø15mm

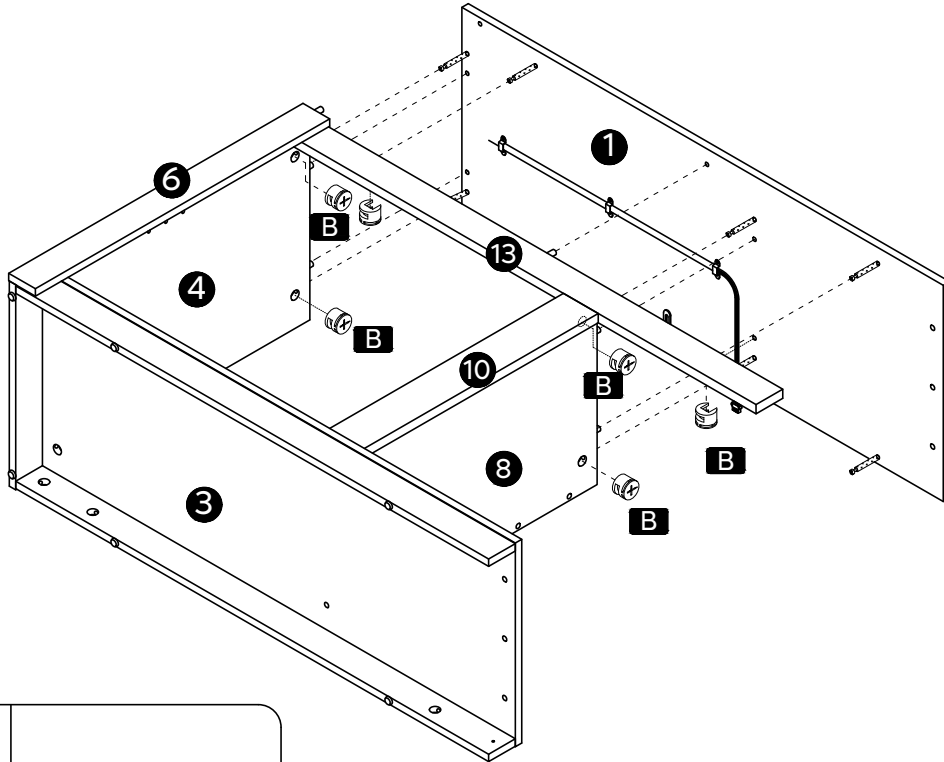


x 1

**C** Ø6x30mm

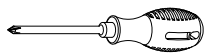


17

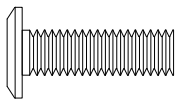
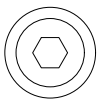
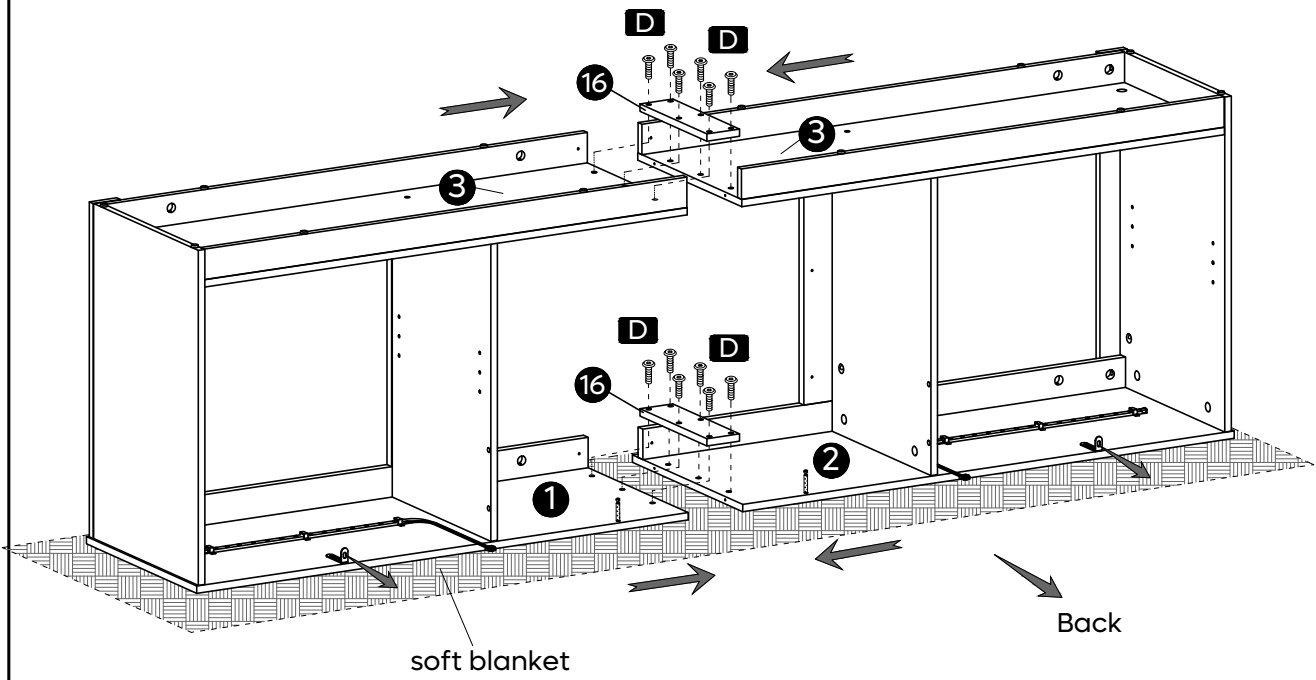


x 6

**B** Ø15mm



18



x 12

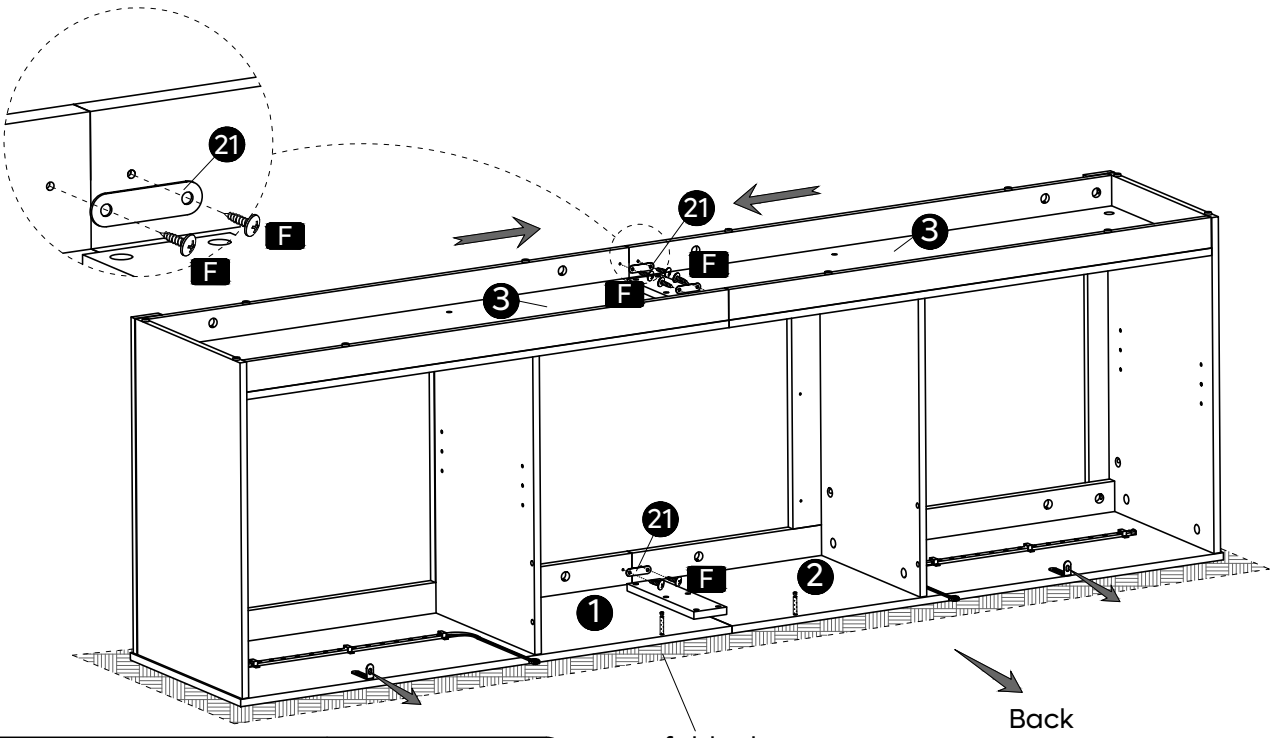
M6x20mm


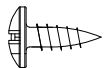


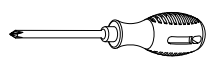
L1003180

17

# 19






 x 6  
**F** ST3.5x10mm

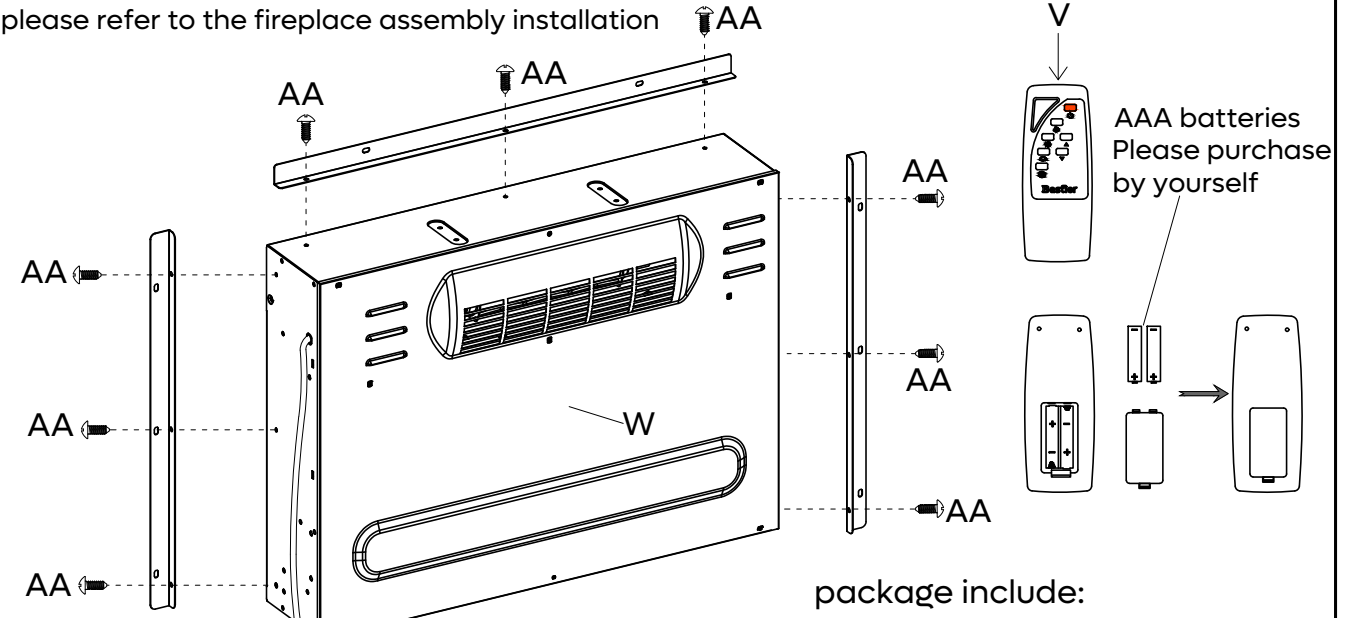


soft blanket

Back

# 20

※please refer to the fireplace assembly installation 

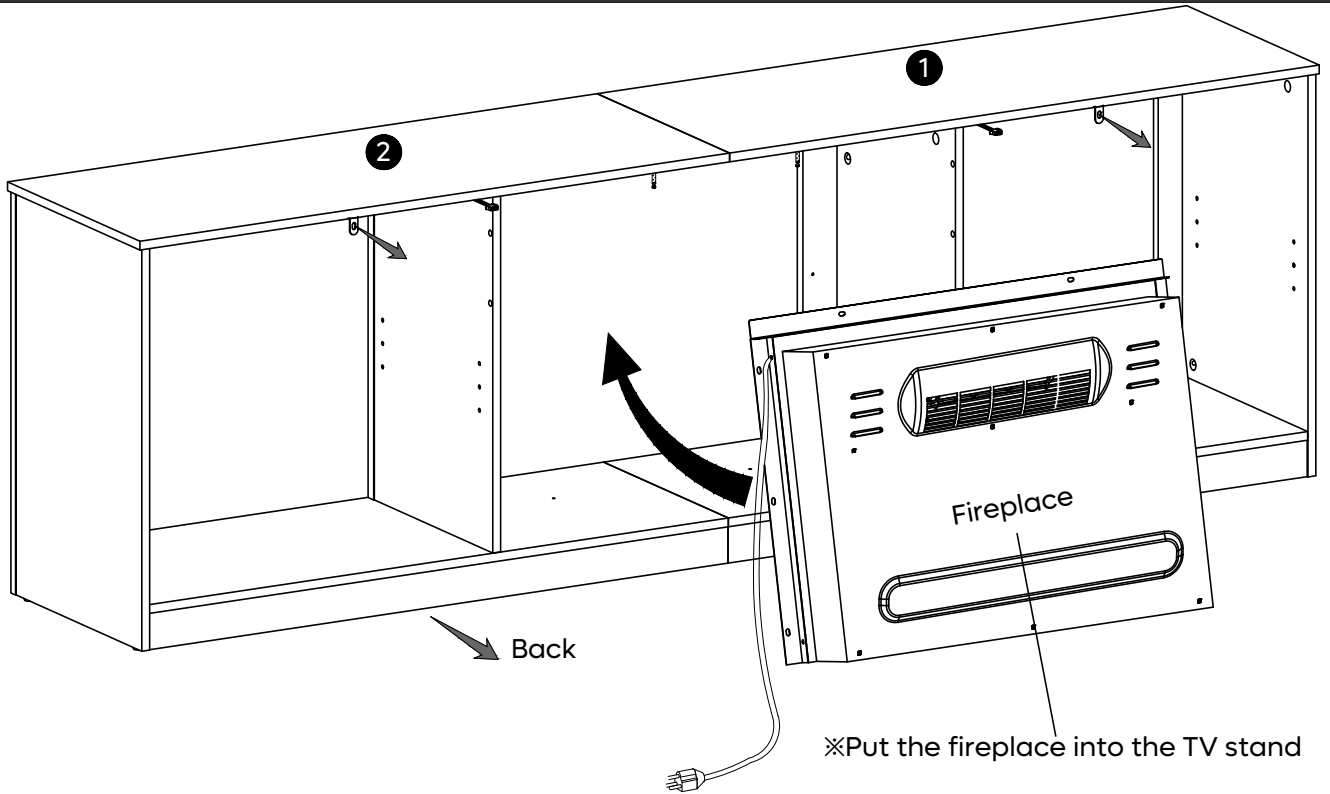


AAA batteries  
Please purchase  
by yourself

package include:

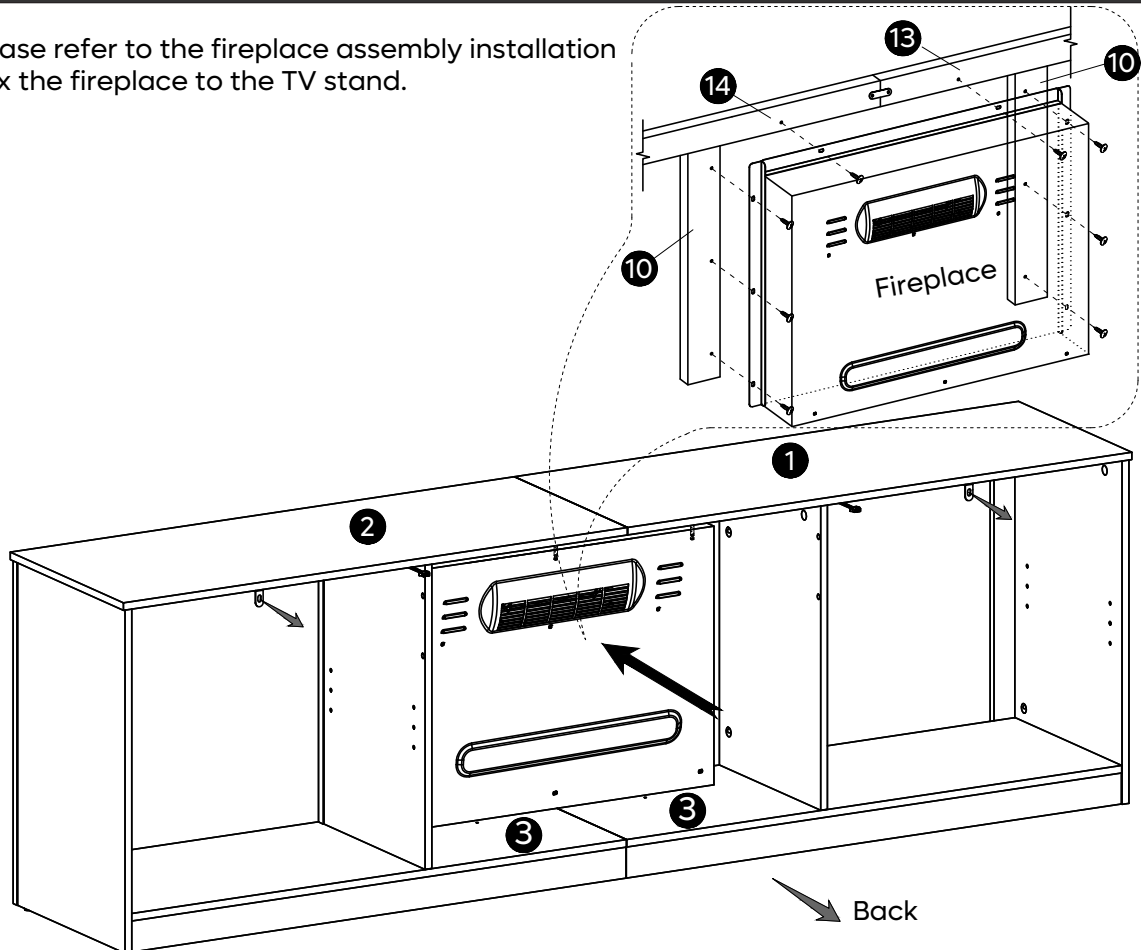
Part	Description	Quantity
V	Remote Control	1
W	Fireplace Insert	1
	Top Side Trim	1
	Side Trim	2
AA	TM4x6mm	9+1

21

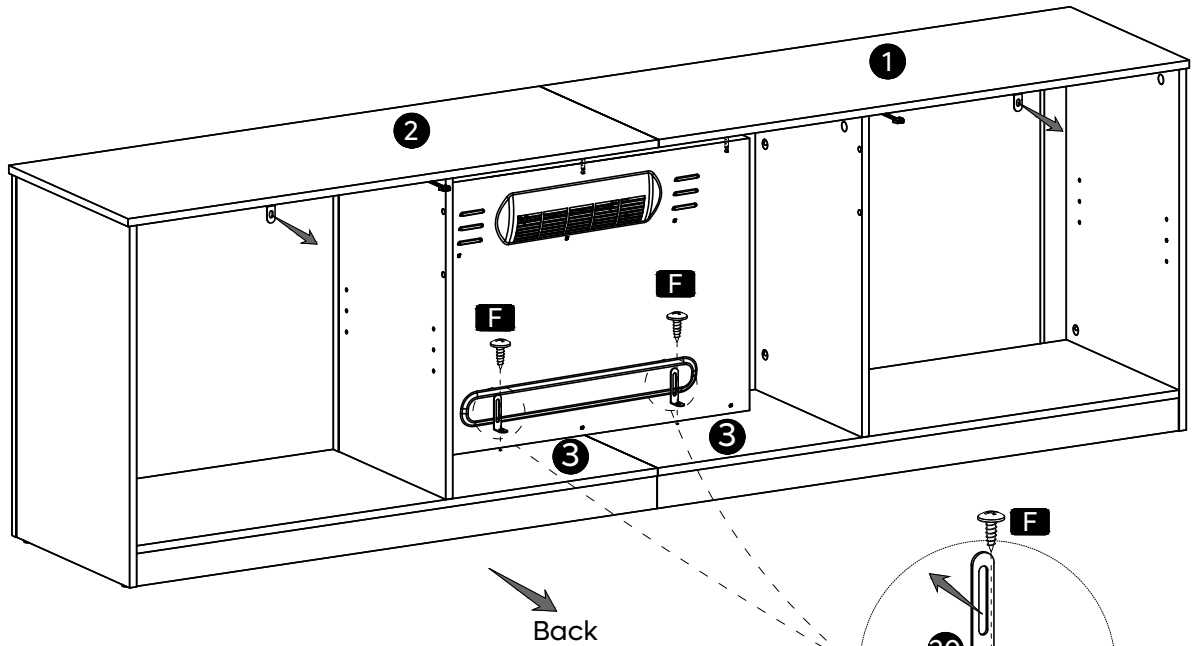



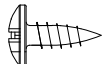
22

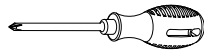
※please refer to the fireplace assembly installation to fix the fireplace to the TV stand.



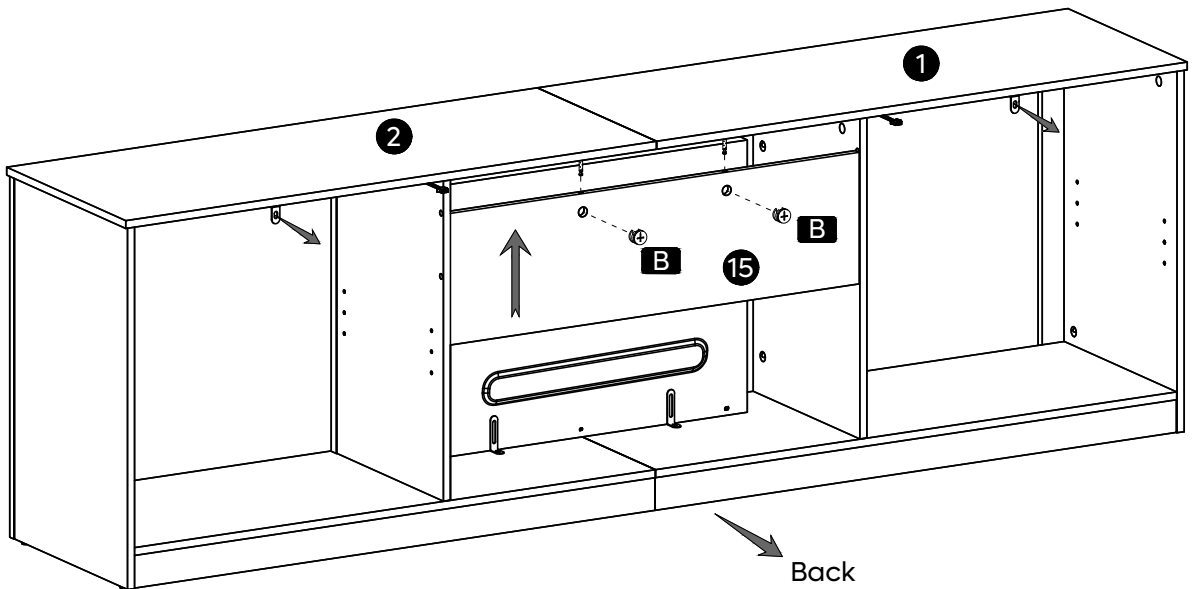
# 23




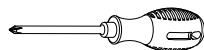


 x 2  
**F** ST3.5x10mm



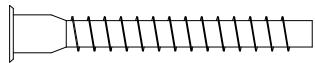
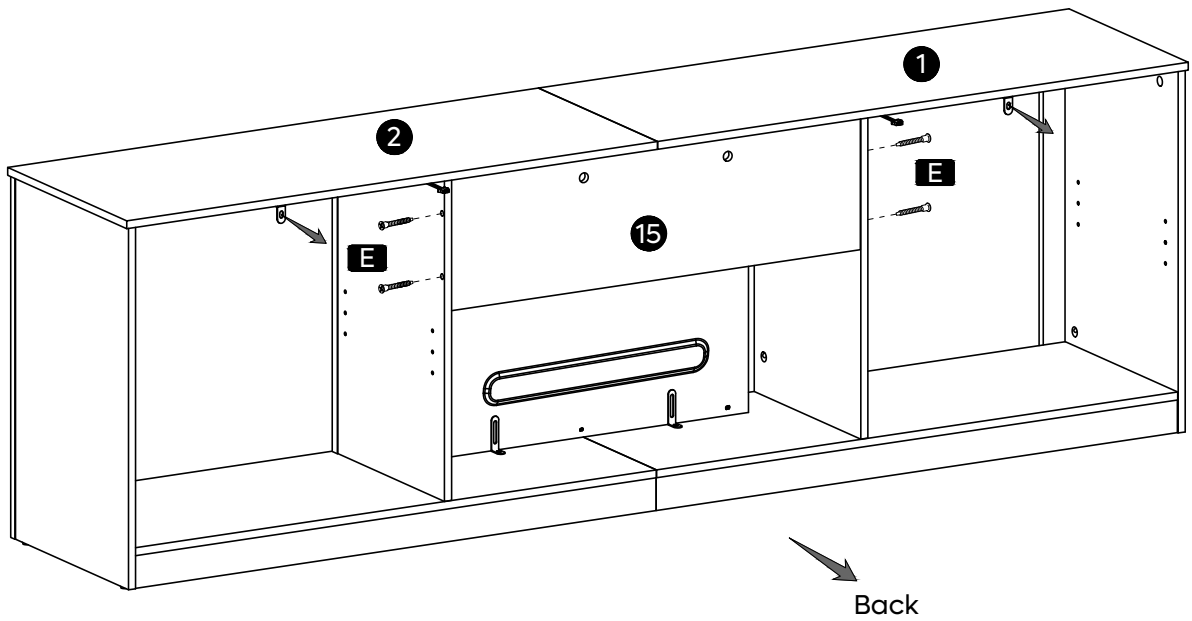
# 24




 x 2  
**B** Ø15mm

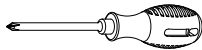


# 25

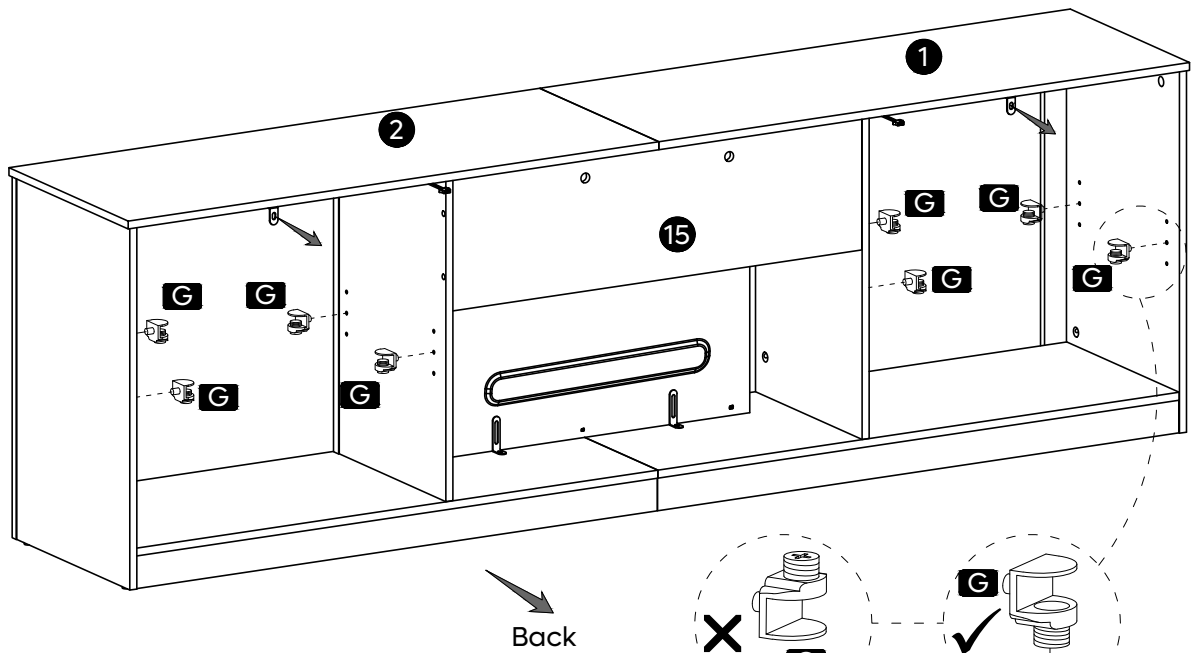


**E**

ST5x35mm x 4

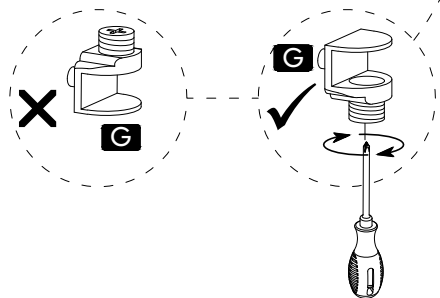
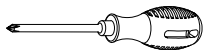


# 26

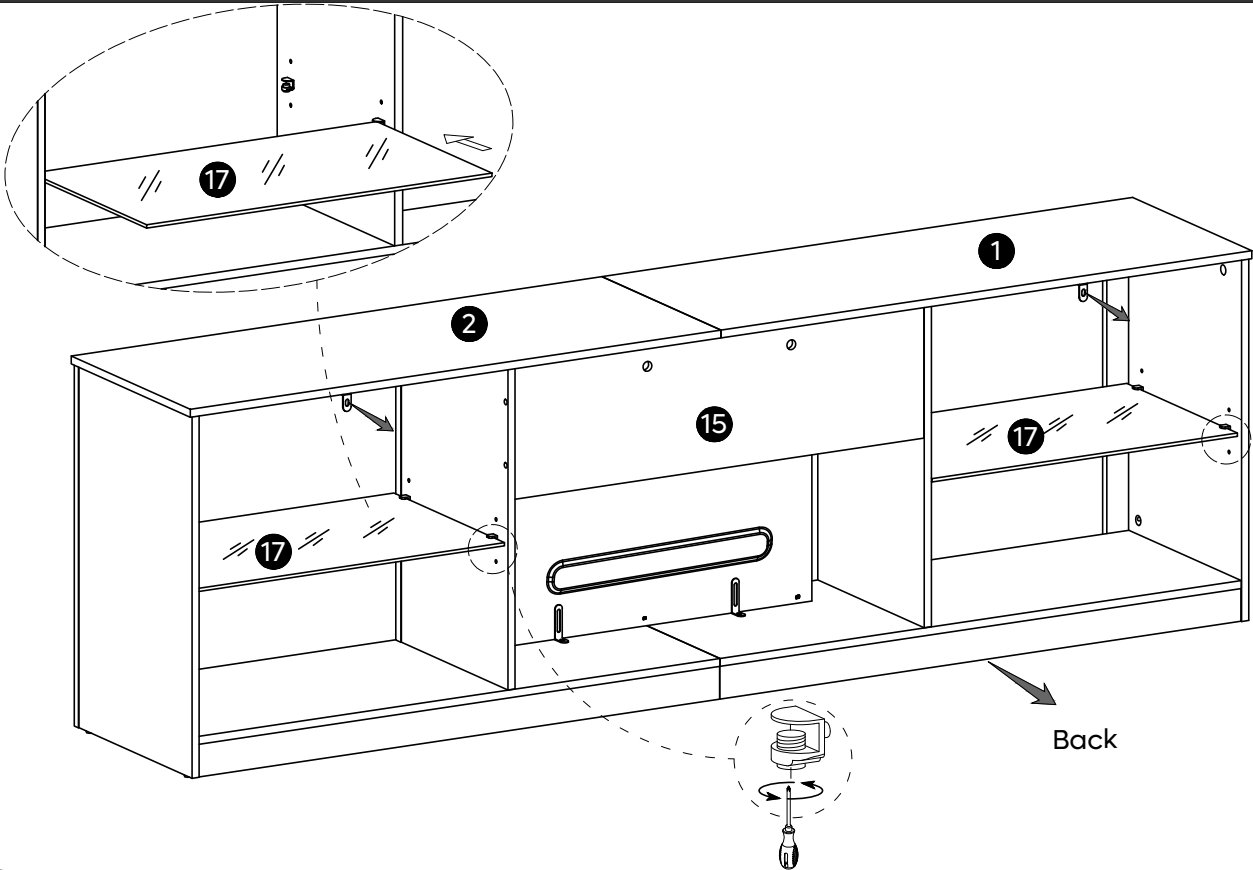


x 8

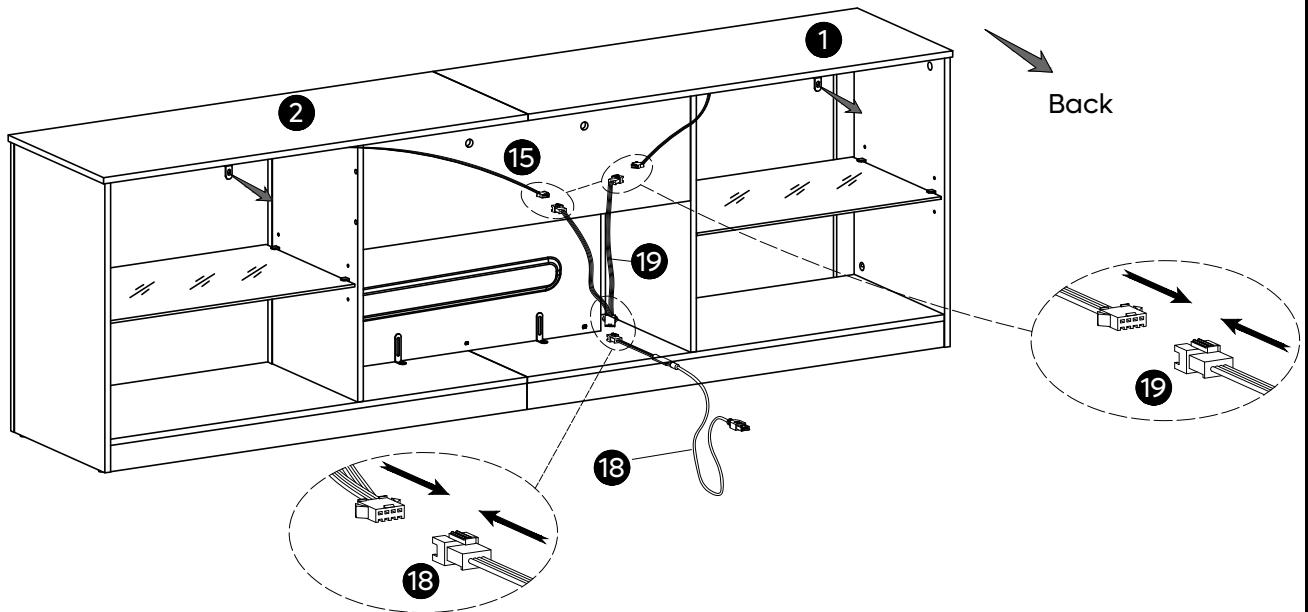
**G**



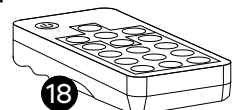
27

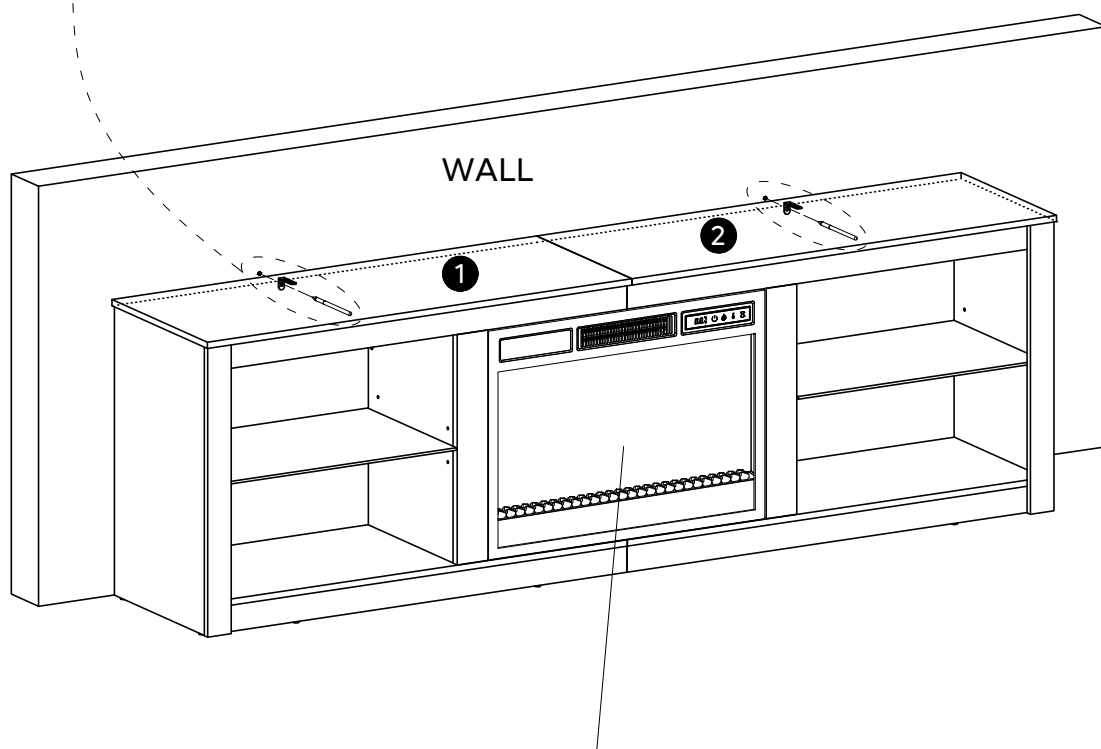
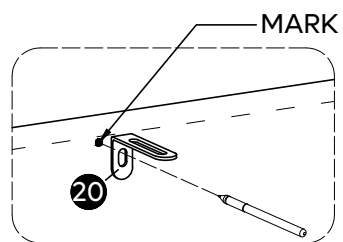


28

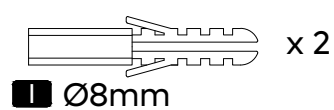
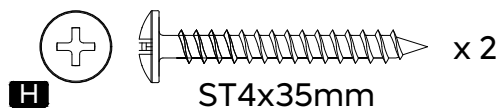
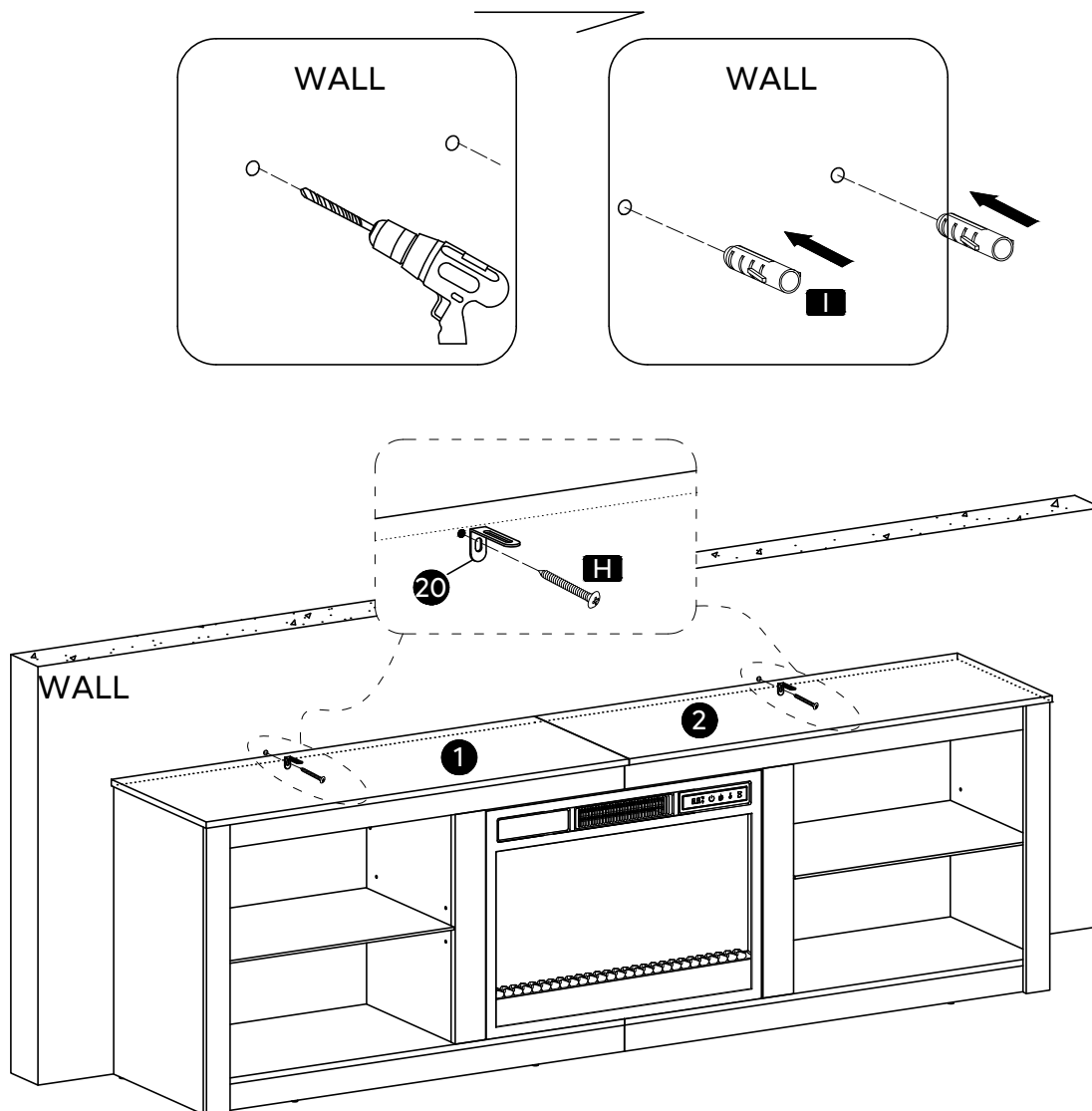


※Install the battery before using the remote control, please refer to Page "8".





※please refer to the fireplace assembly installation to operate the fireplace .



※ **Please fasten this item to wall for protection and safety.**

1. Drill 2 holes in the wall and insert "I" into holes.

※ You may need to use rubber mallet for tapping "I".

2. Use "H" to attach "I" with 20.