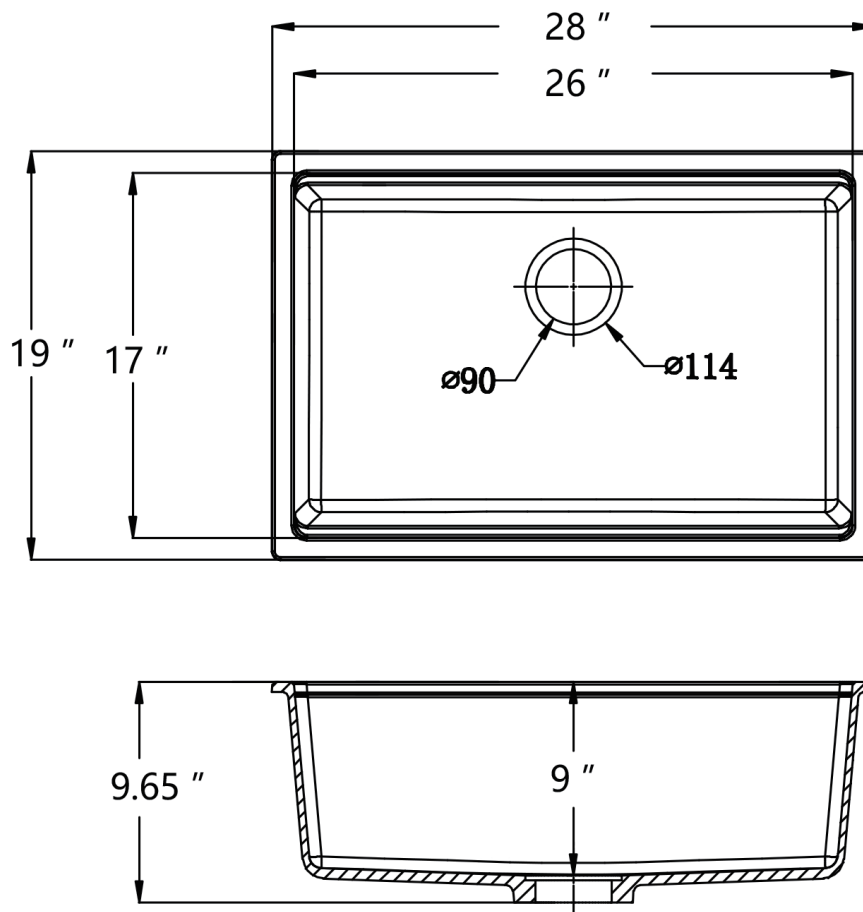


# Dimension/Specification



Sink size : 28Length\* 19Width\* 9 5/8Depth

MINIMUM BASE CABINET : 31" WIDE, STANDARD 3 1/2" OPENING WILL.  
AVAILABLE FOR GARBAGE DISPOSAL UNIT.

**Sku RX-QS01-2819B**