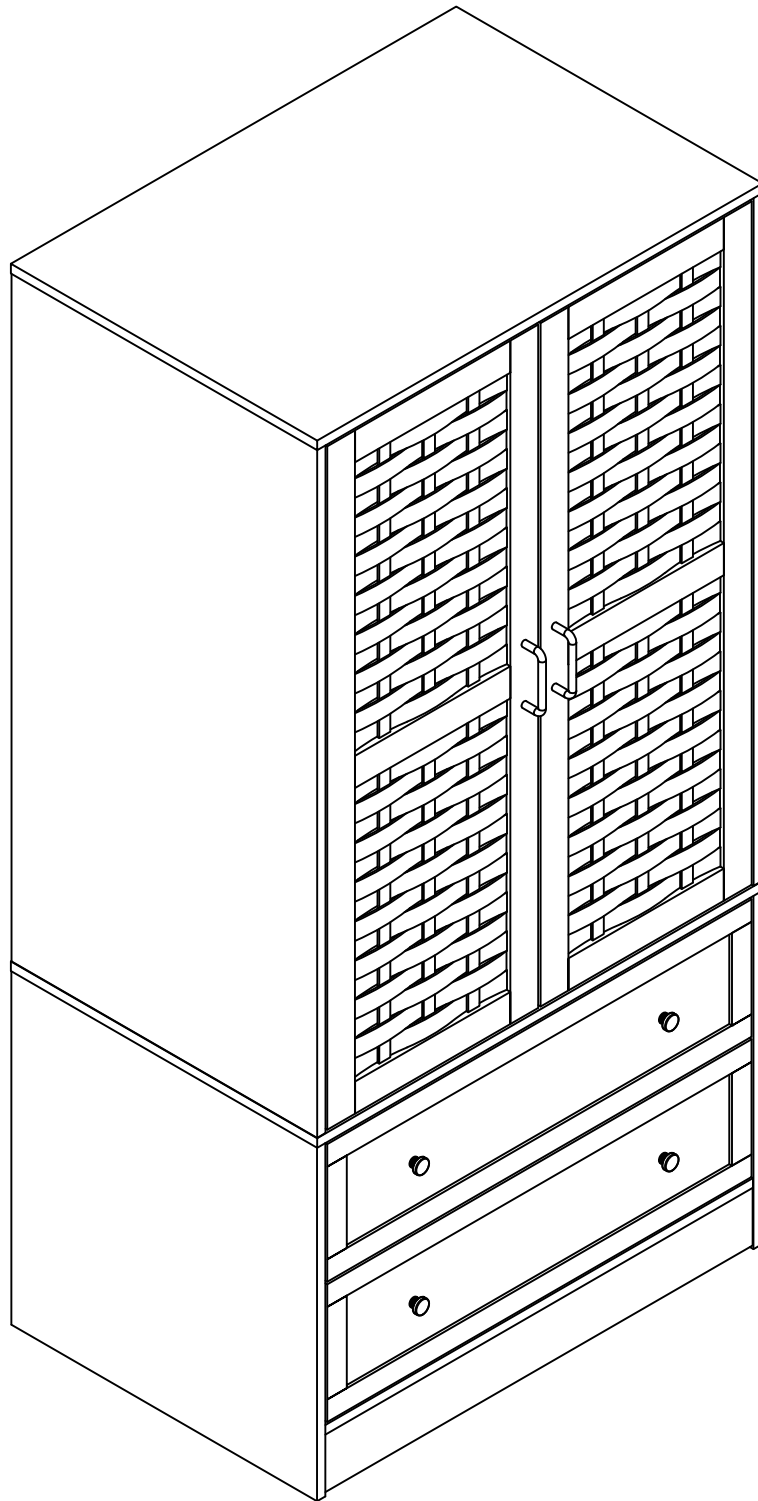


Installation Instruction



Assembling

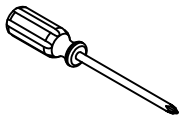
Estimated time for assembly



45 : 00

What you need

- Use the packaging carton as a working surface to prevent product damage during assembly
- Phillips head screwdriver



Weight Limitation

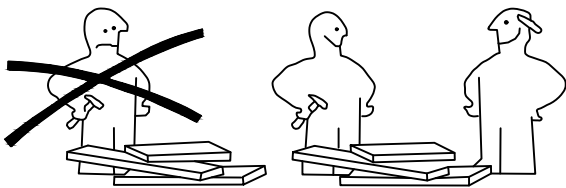


100

lbs table top

35

lbs per

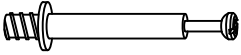


What' included

Code	Description	Qty
A	Cam Bolt M6X35MM	34
B	Cam Lock 15X10MM	34
C	Wooden Dowel M8X30MM	12
D	Screw M4X40MM	16
E	Screw M3.5X14MM	60
F	Drawer pull	4
G	Nylon Strap	2
H	Screw M3.0X14MM	28
I	Cam Bolt M4X18MM	8
J	The back button	18
K	Anchor	2
L	MATS	4
M	Metal shake handhandle	2
N	Iron absorption	2
O	Shelf Holder	6
P	anger flange seat	2
CL	Left mother extended orbit	2
CR	Right mother extended orbit	2
DL	Left public extension track	2
DR	Right public extends track	2

The Hardwares

A



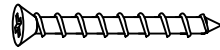
B



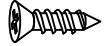
C



D



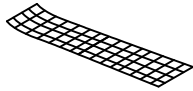
E



F



G



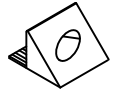
H



I



J



K



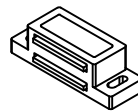
L



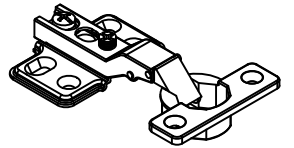
M



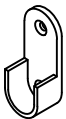
N



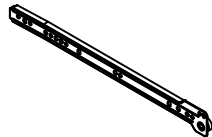
O



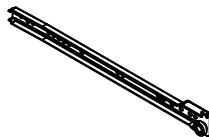
P



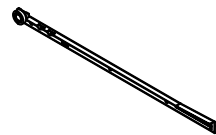
CL



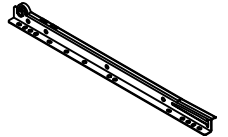
CR



DL



DR



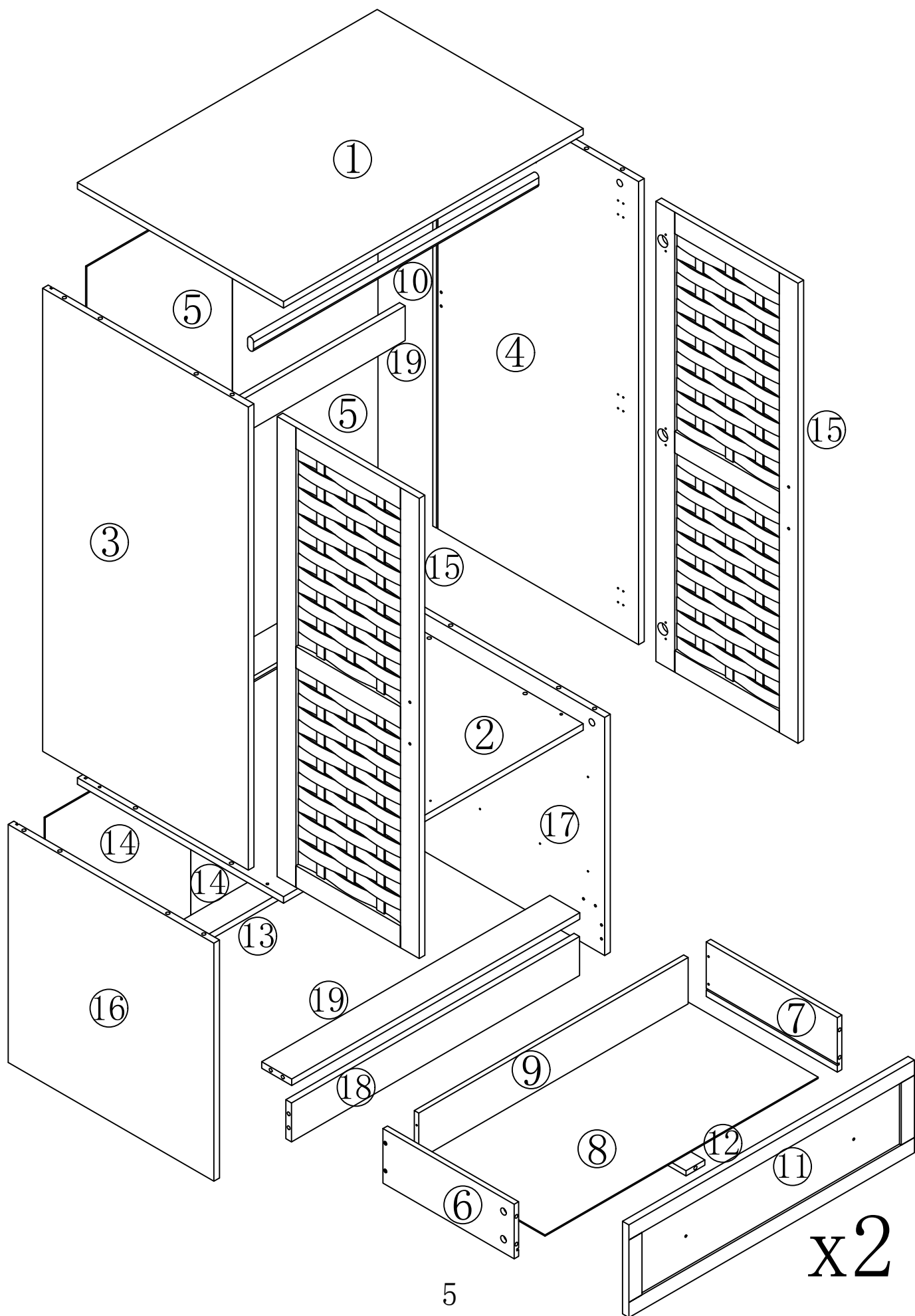
IMPORTANT:

1. Do not tighten bolts / screws completely until all bolts / screws are lined up and inserted into holes.
2. Do not over tighten screws and bolts to avoid stripping
3. Please use hand tools to assemble this product. Do not use power tools.

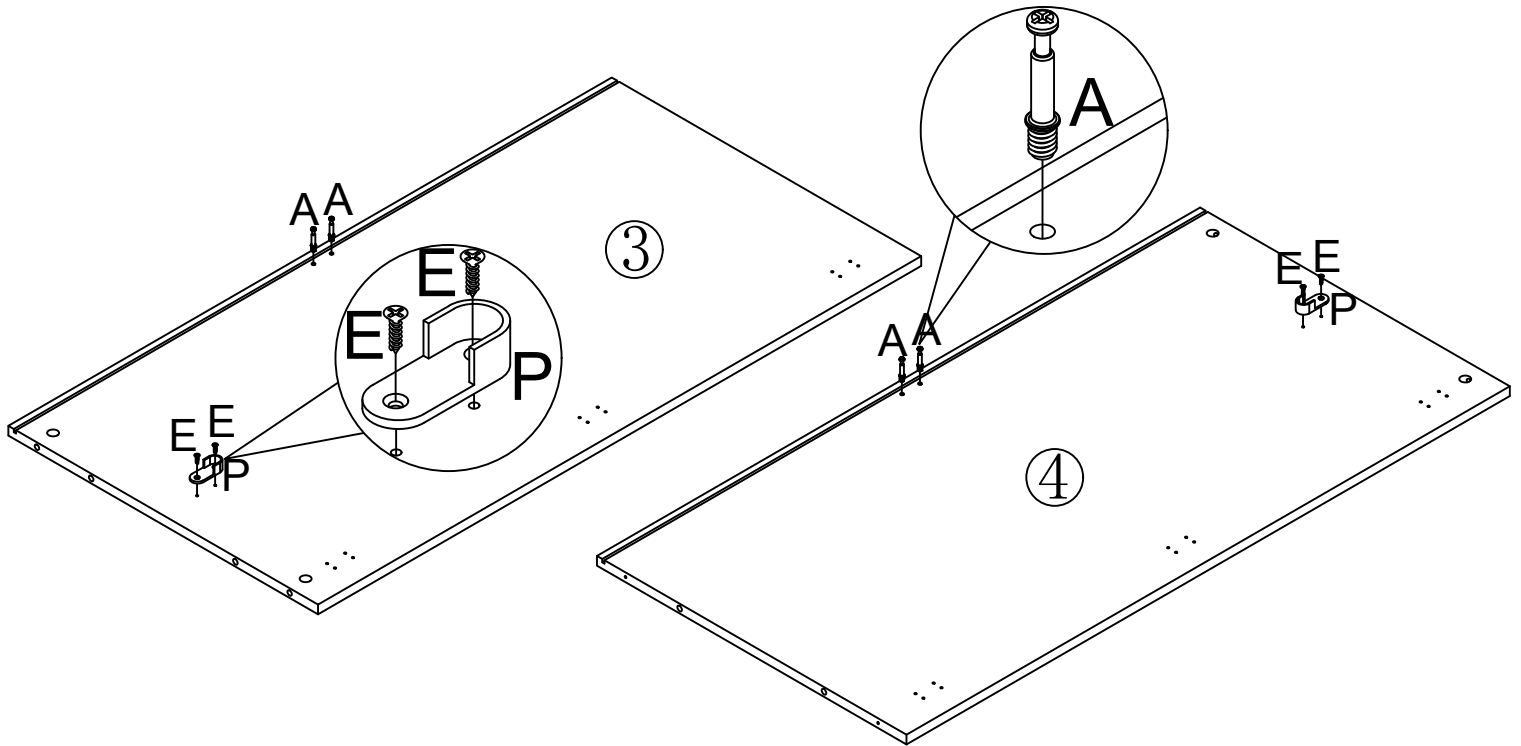
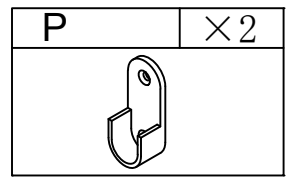
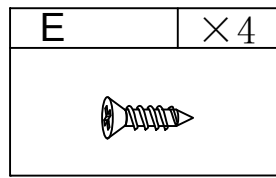
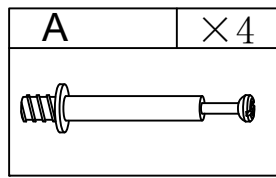
Included Accessories

Code	Description	Qty
1	Cabinet Top	1
2	Bottom Panel	1
3	Left Side Panel	1
4	Right Side Panel	1
5	On the rear panell	2
6	Drawer left panel	2
7	Drawer right side panel	2
8	The drawer bottom	2
9	After the drawer board	2
10	Clothes rail	1
11	The drawer face	2
12	Bottom pumping reinforcement	2
13	lhyposternum	1
14	hypotergite	2
15	The door	2
16	Inferior left side plate	1
17	Inferior right side plate	1
18	Front trim	1
19	Front and rear pull plate	2

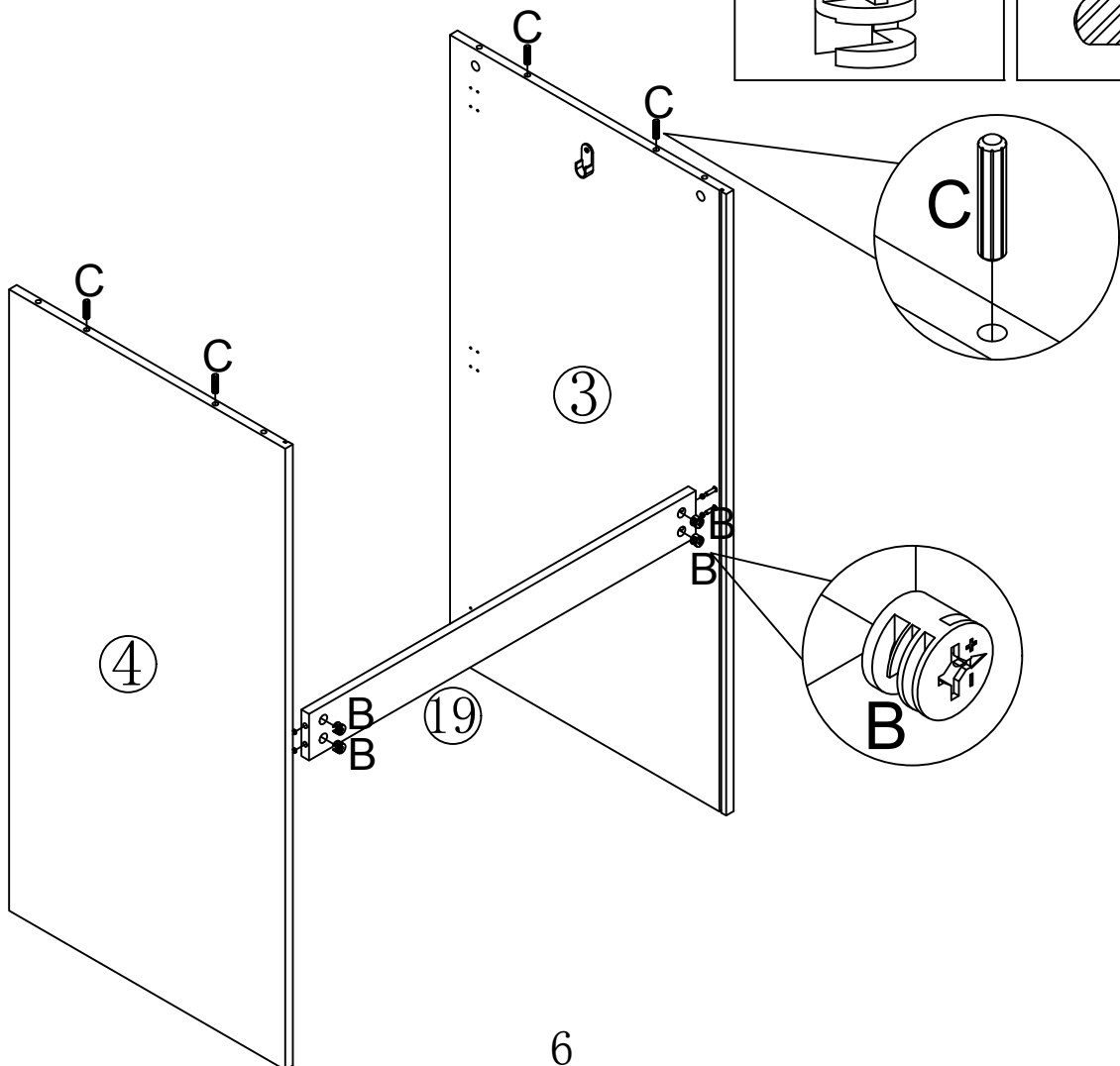
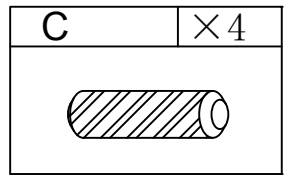
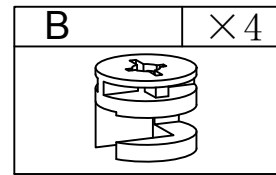
The Accessories



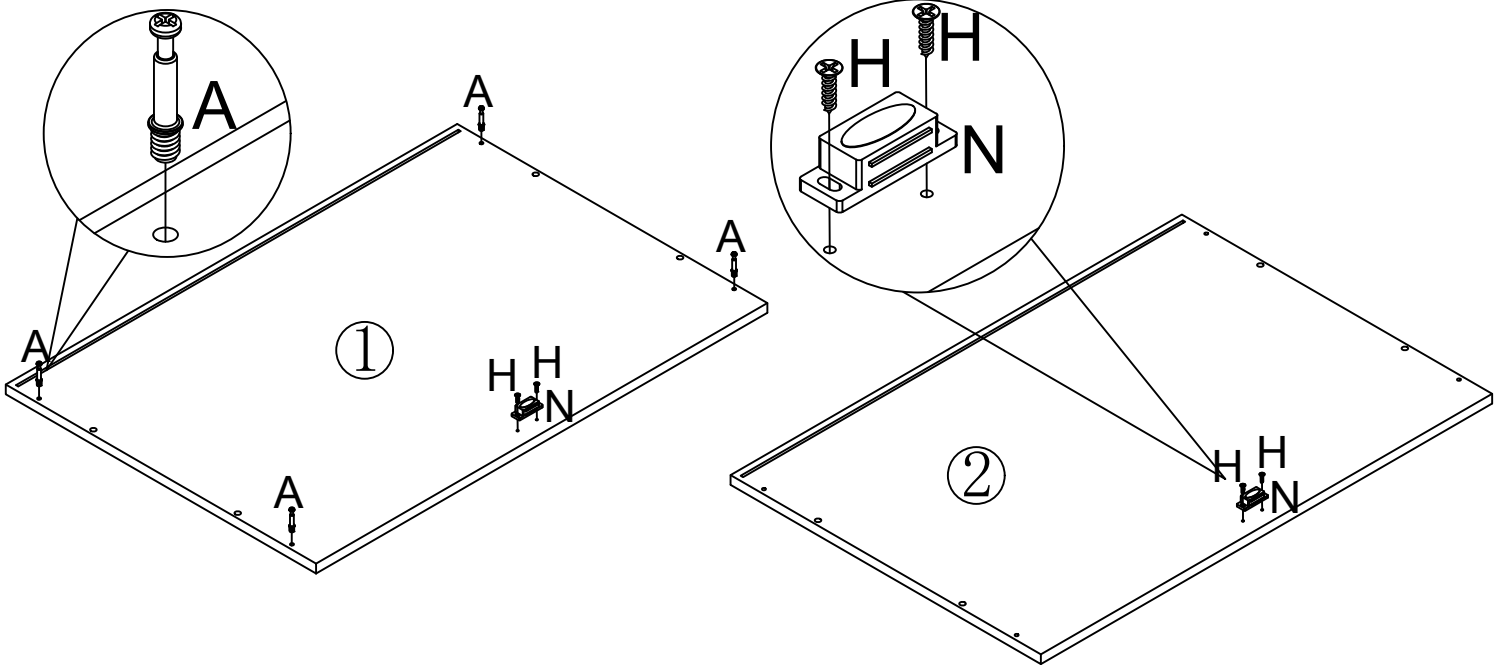
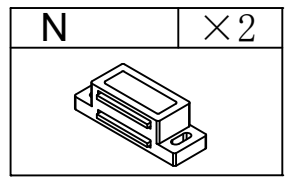
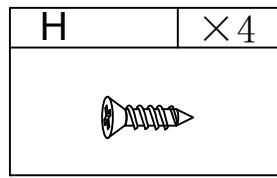
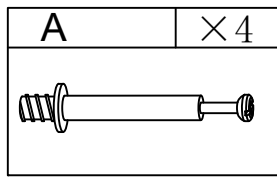
Step 1



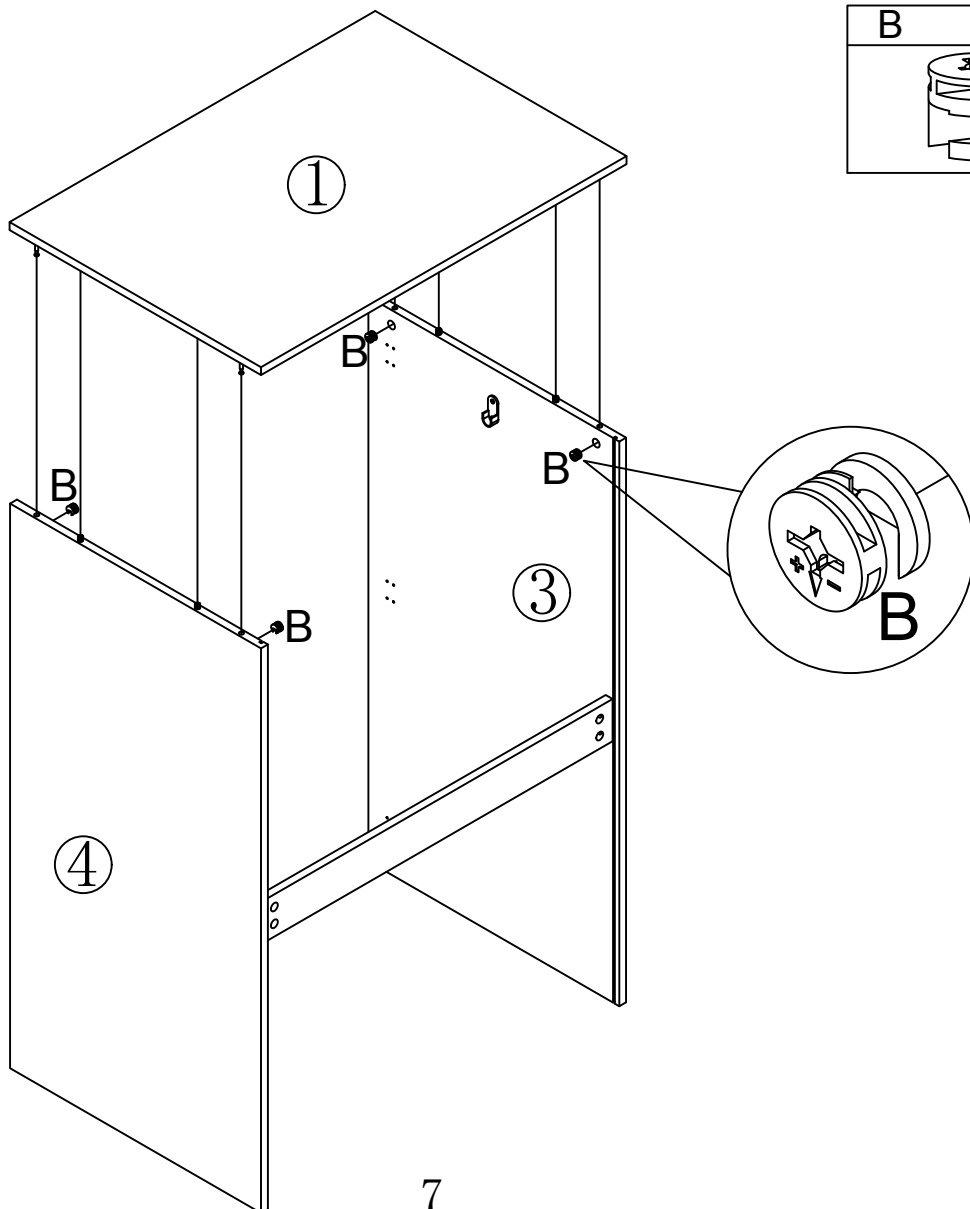
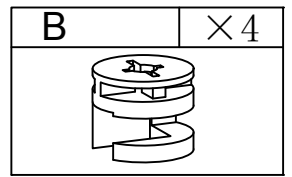
Step 2



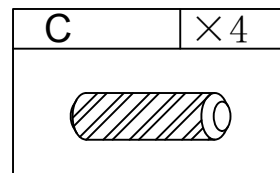
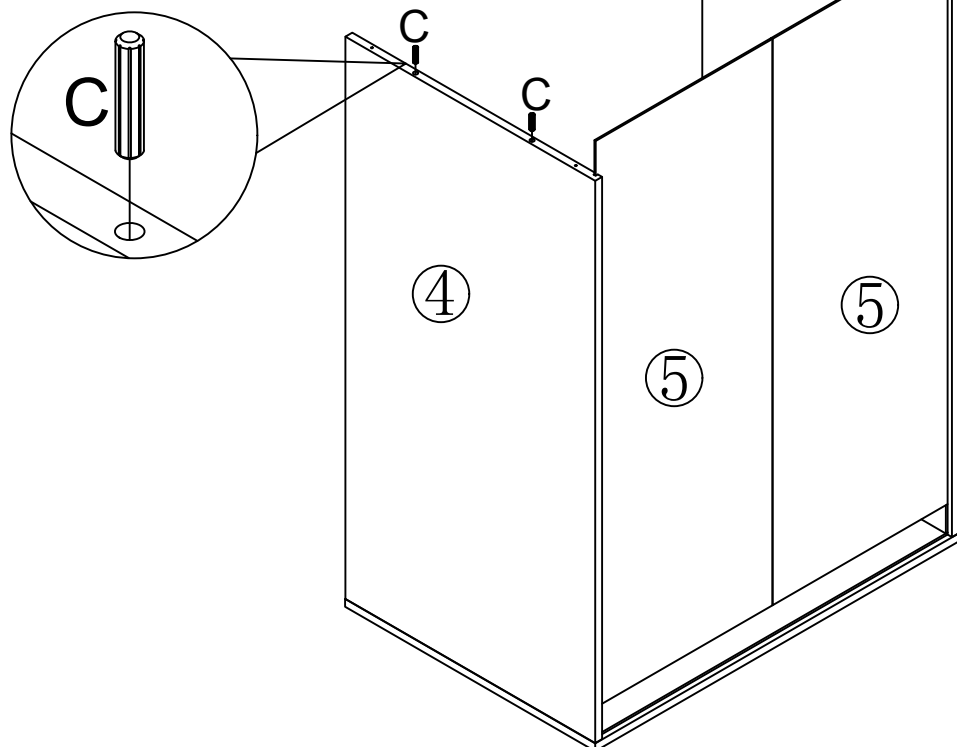
Step 3



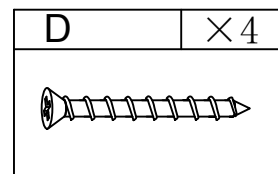
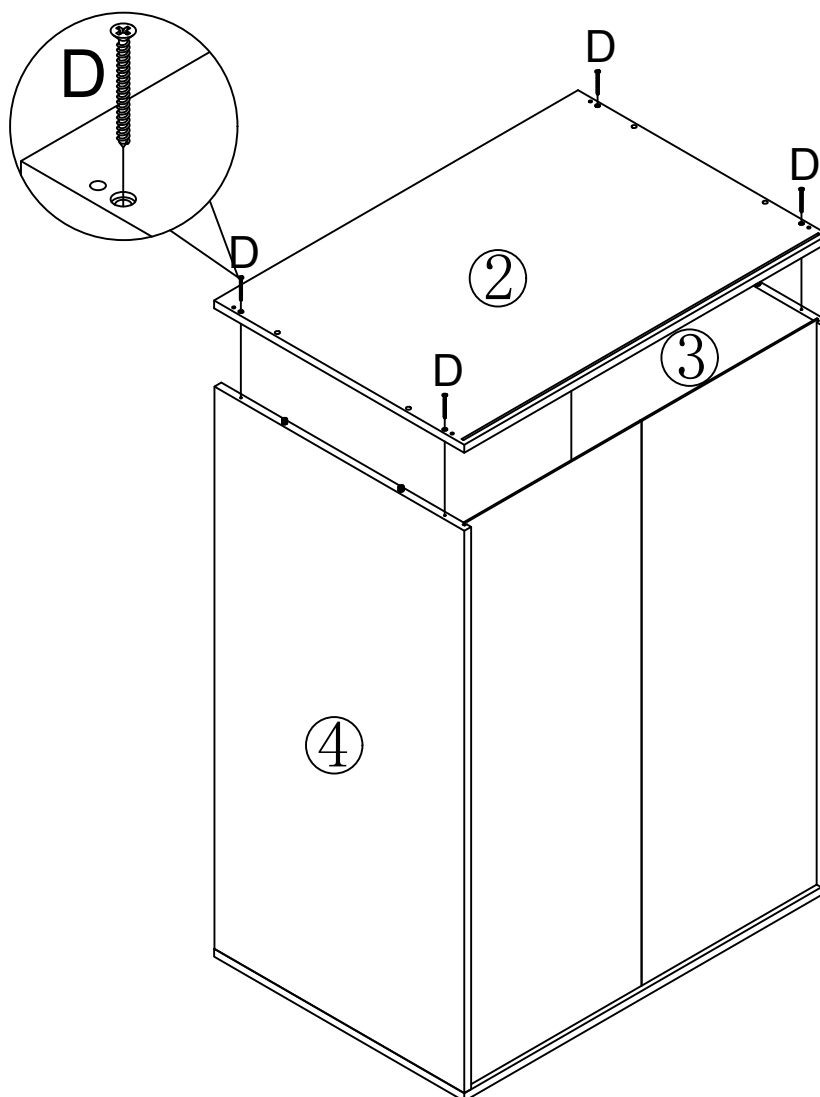
Step 4



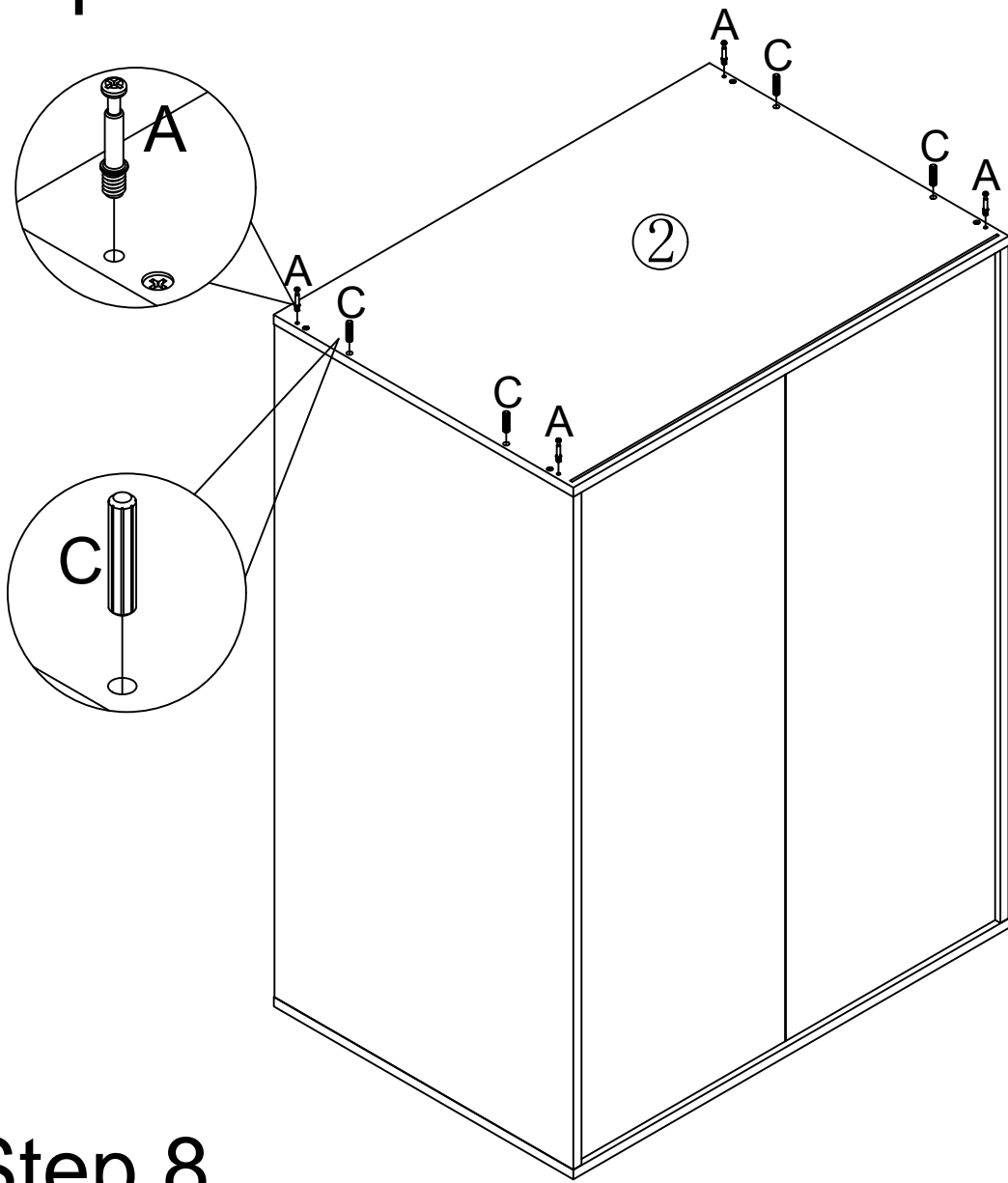
Step 5



Step 6



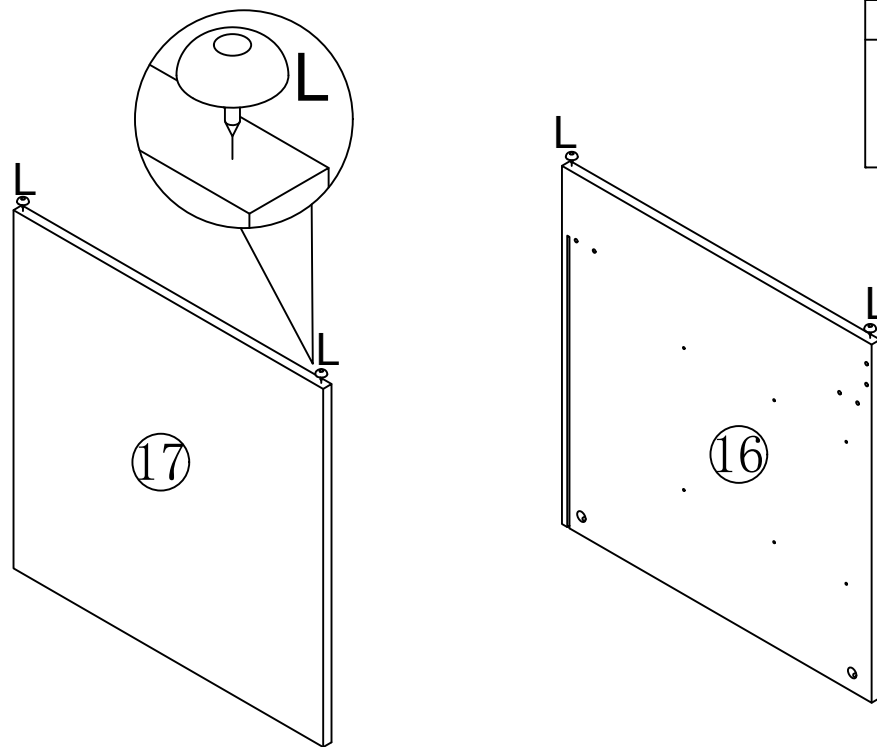
Step 7



A	×4

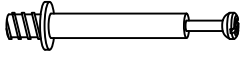
C	×4

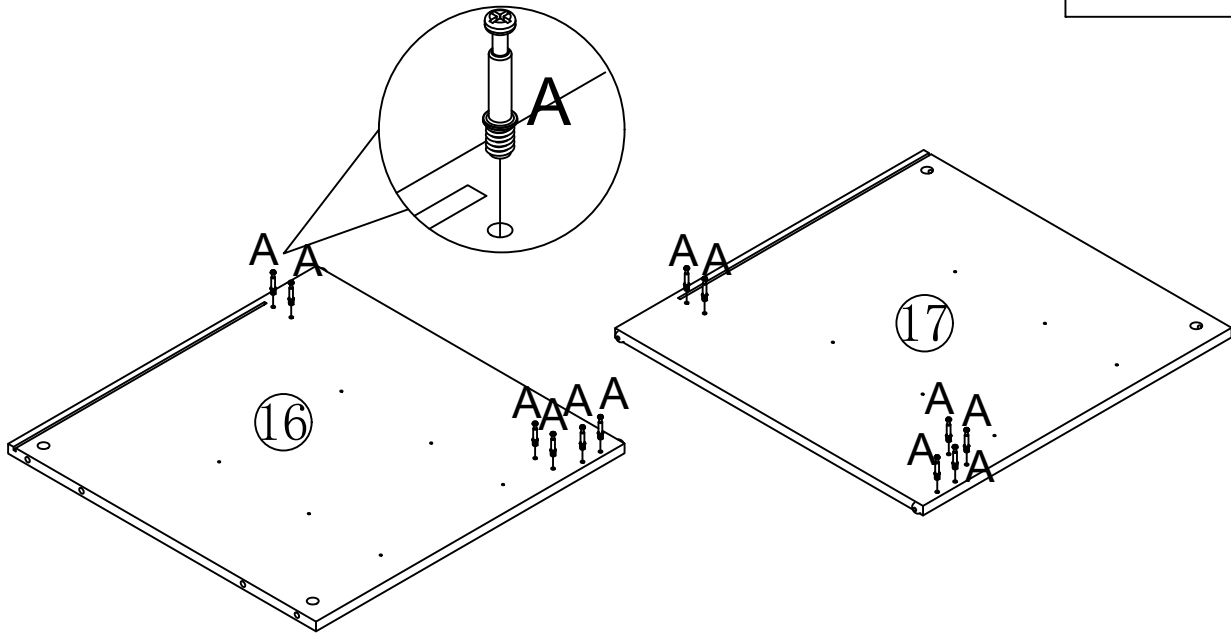
Step 8



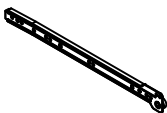

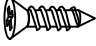
L	×4

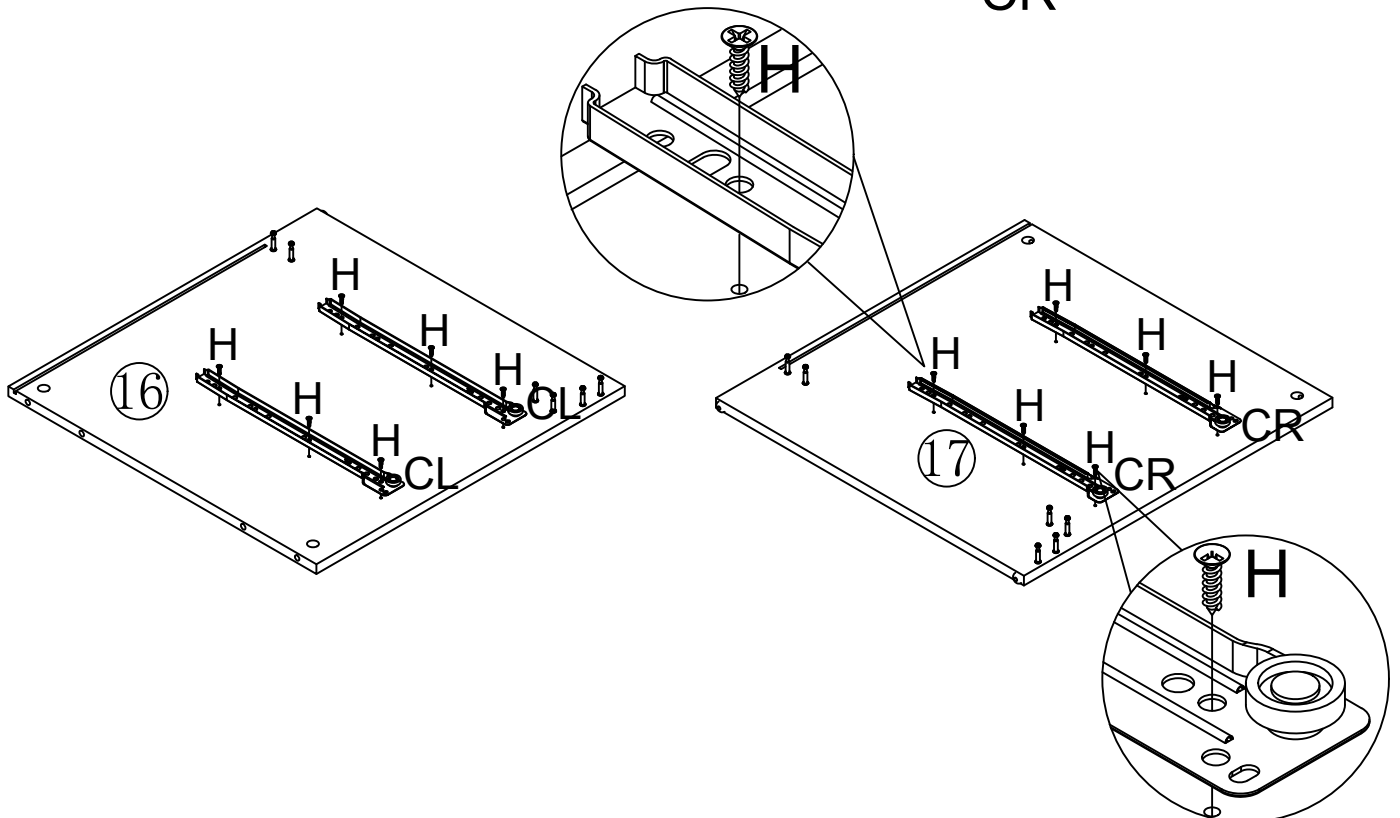
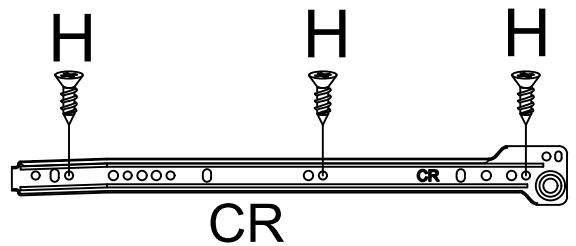
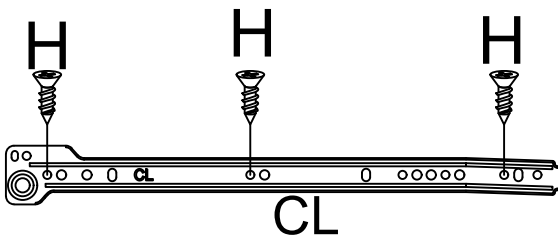
Step 9

A	×12
	

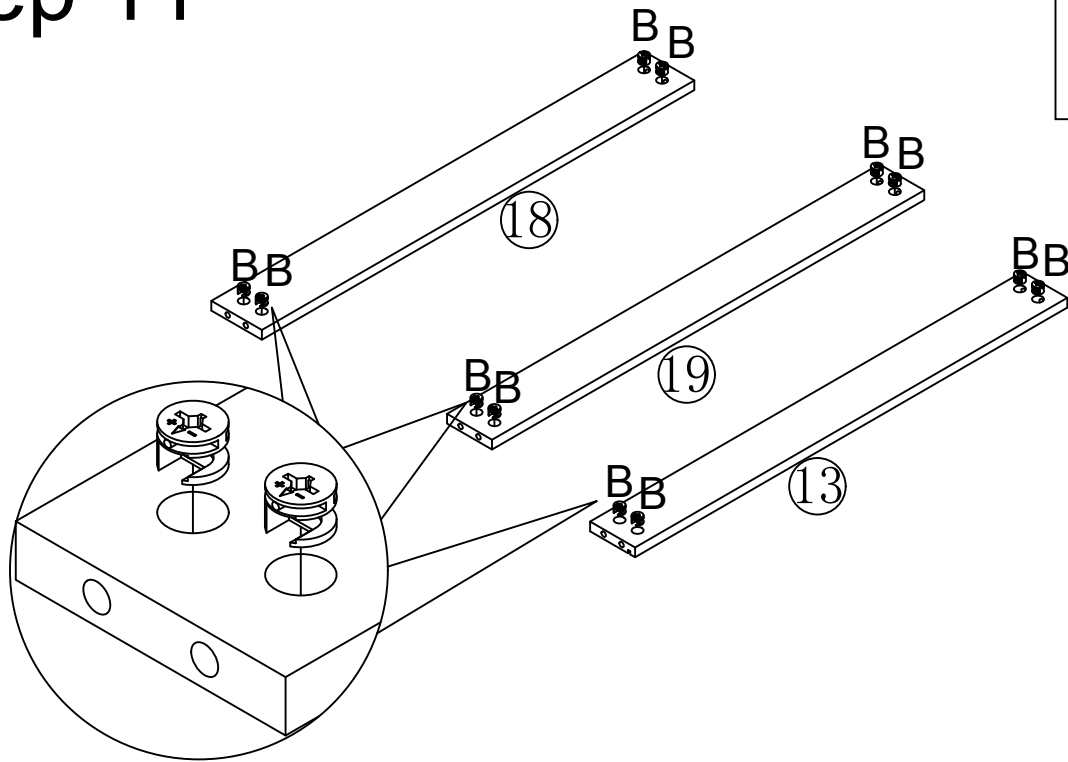


Step 10

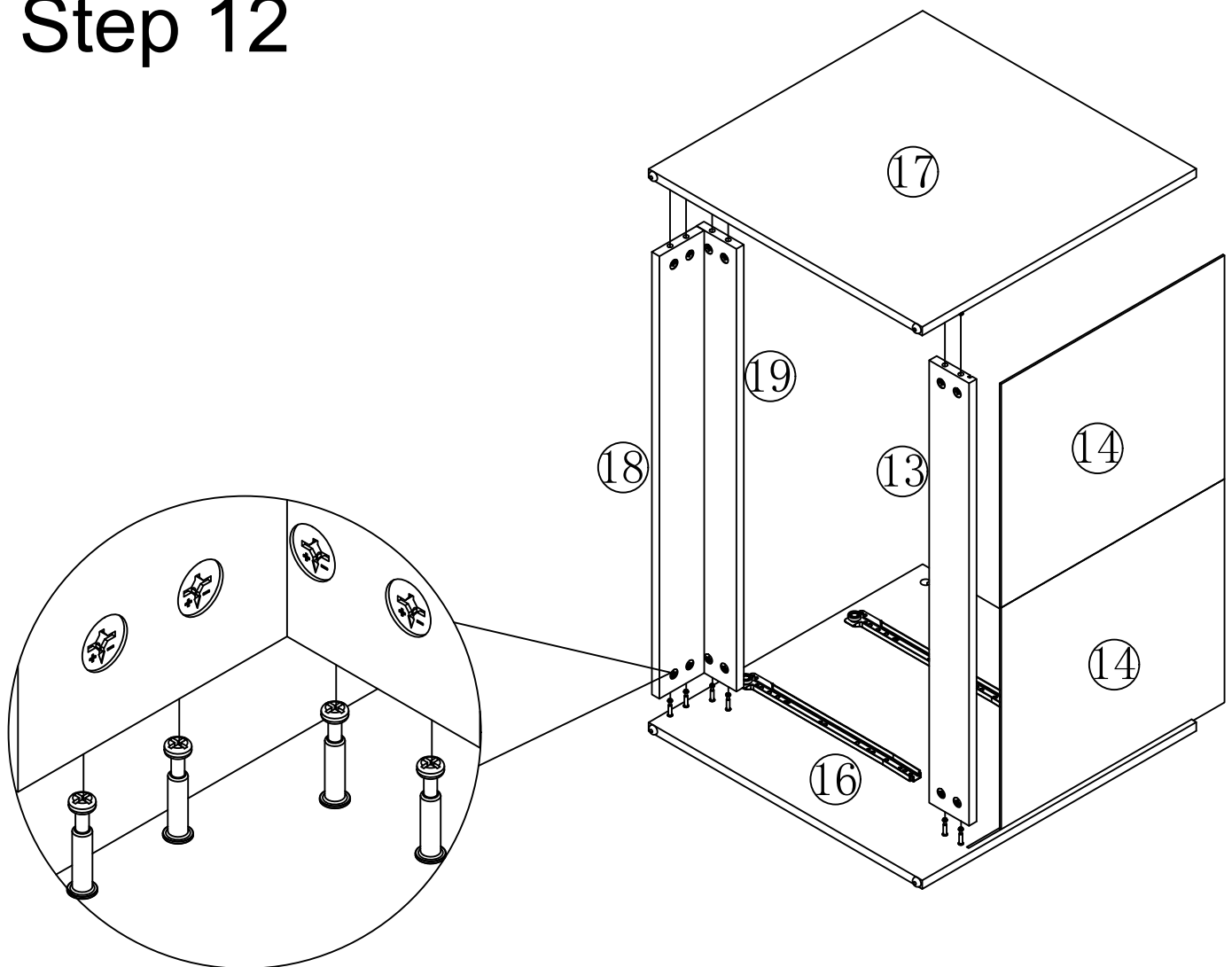
CL	×2	CR	×2	H	×12
					



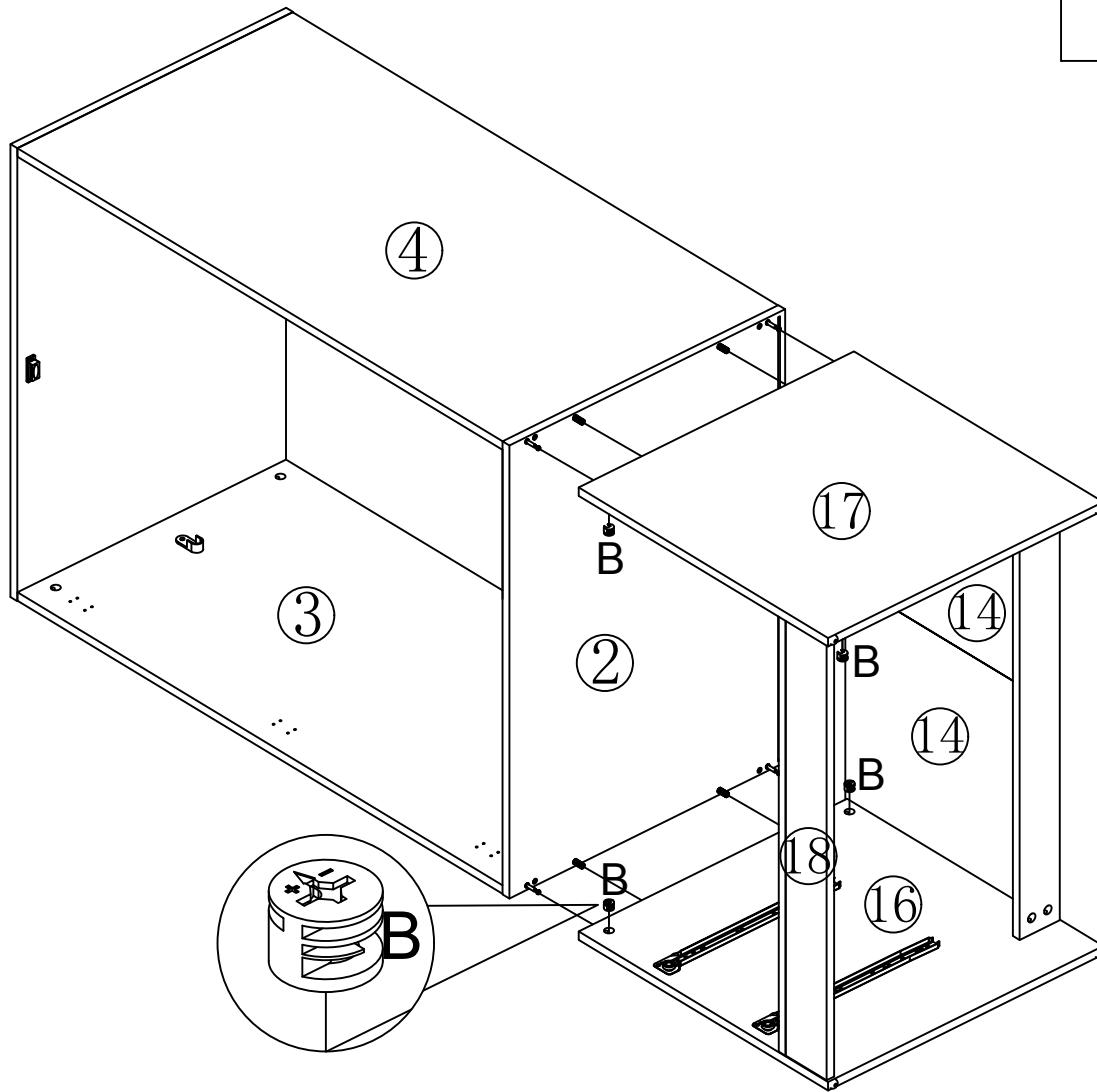
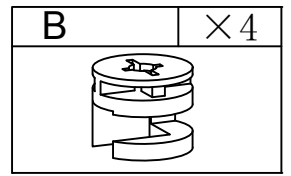
Step 11



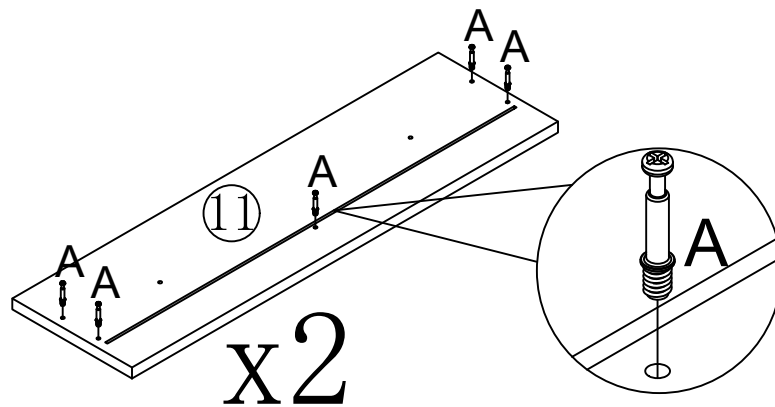
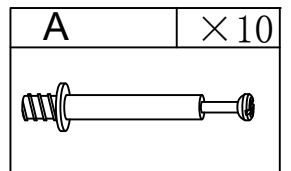
Step 12



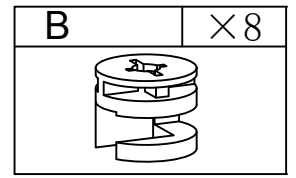
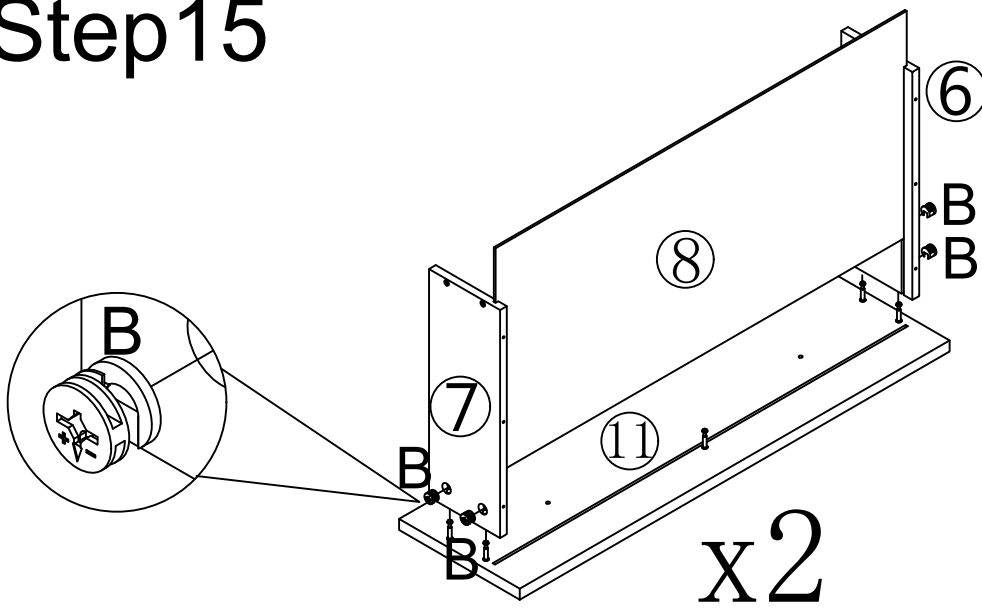
Step 13



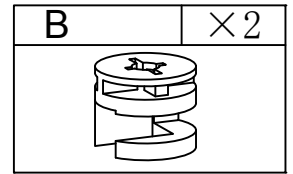
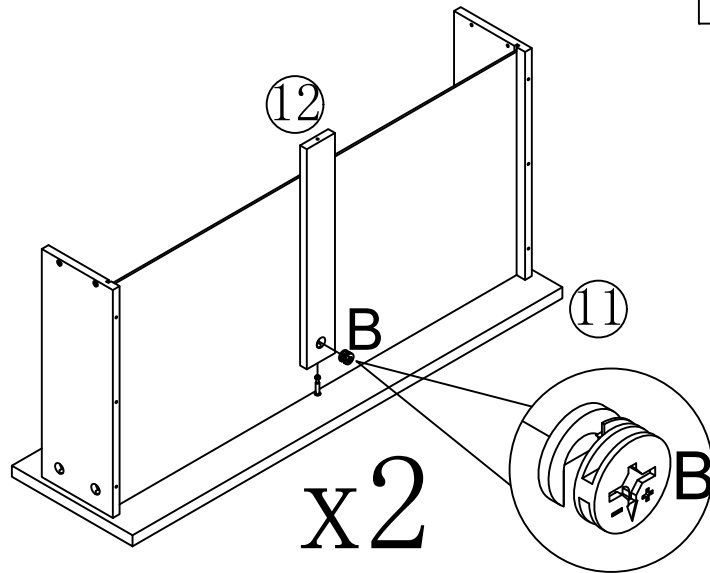
Step 14



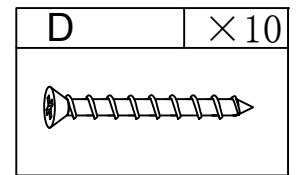
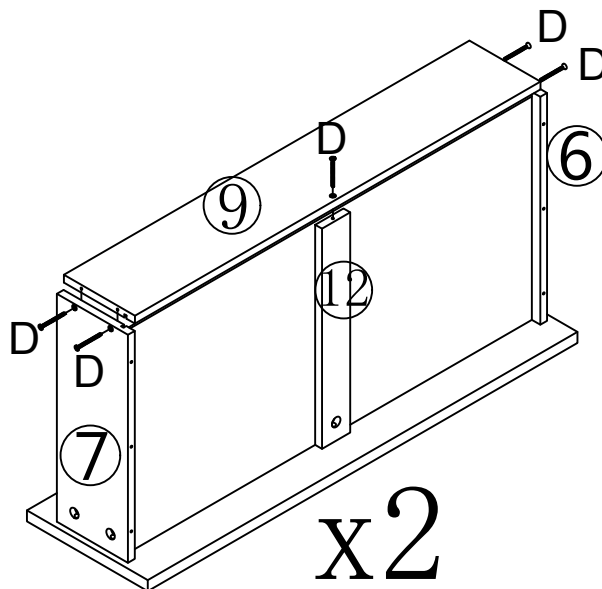
Step15



Step16

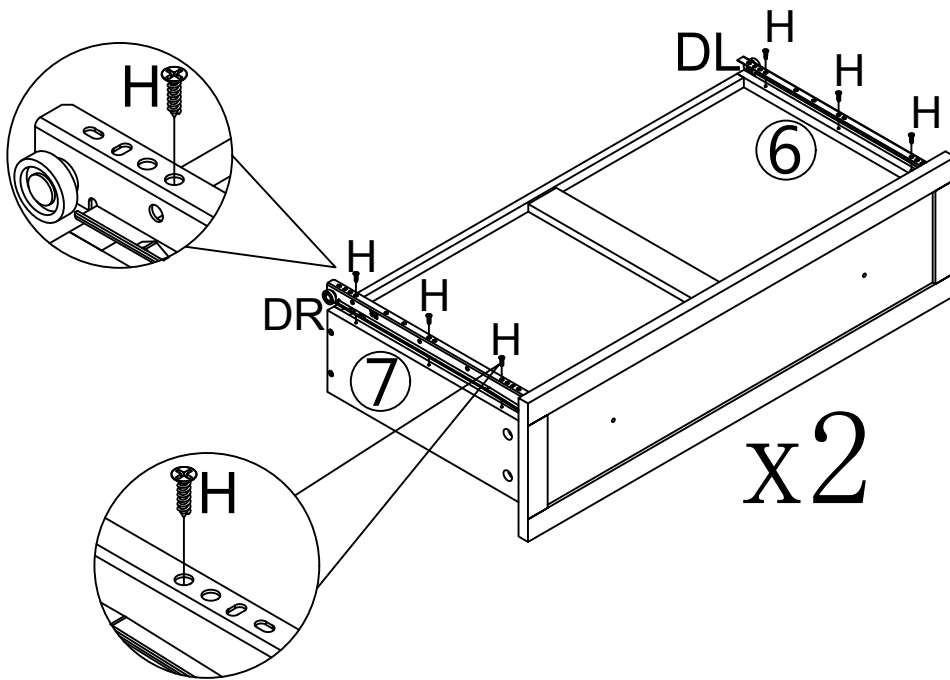
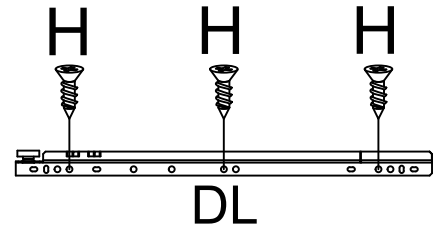
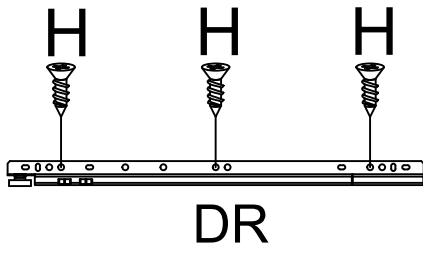


Step17



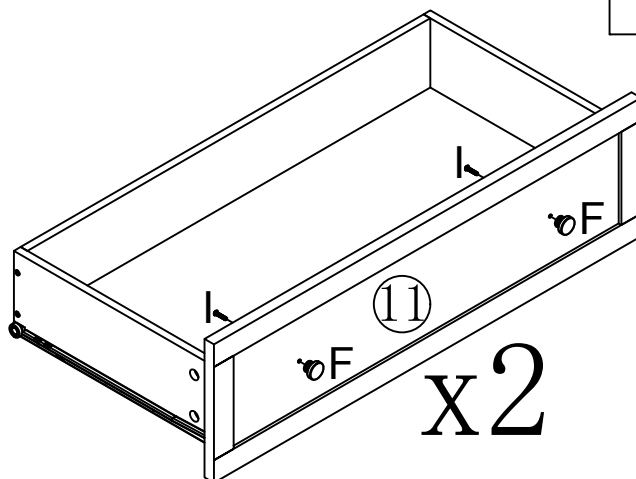
Step18

DL	×2	DR	×2	H	×12




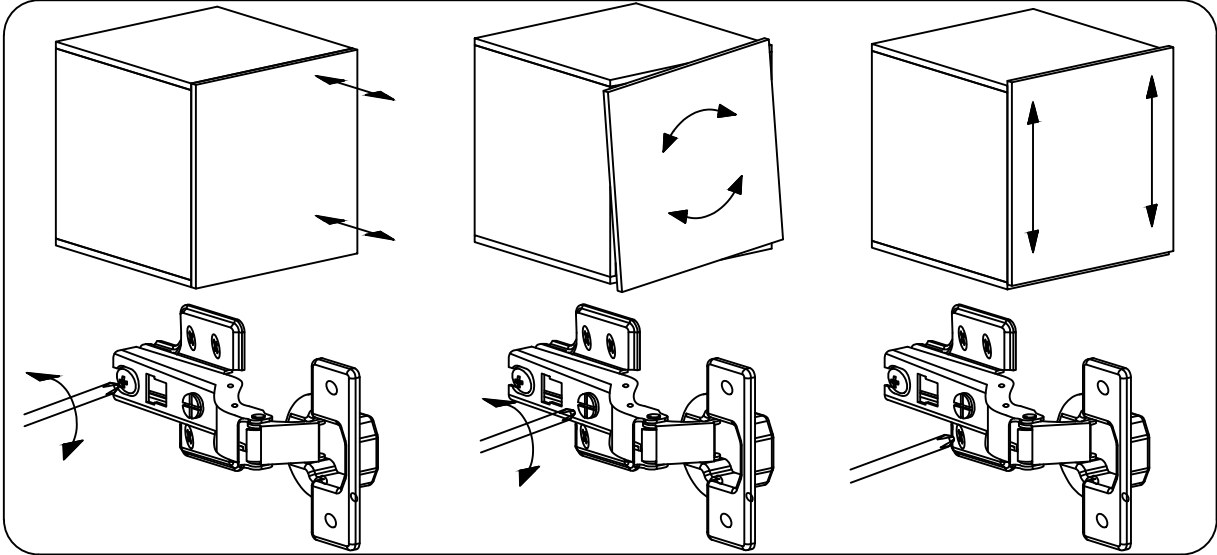
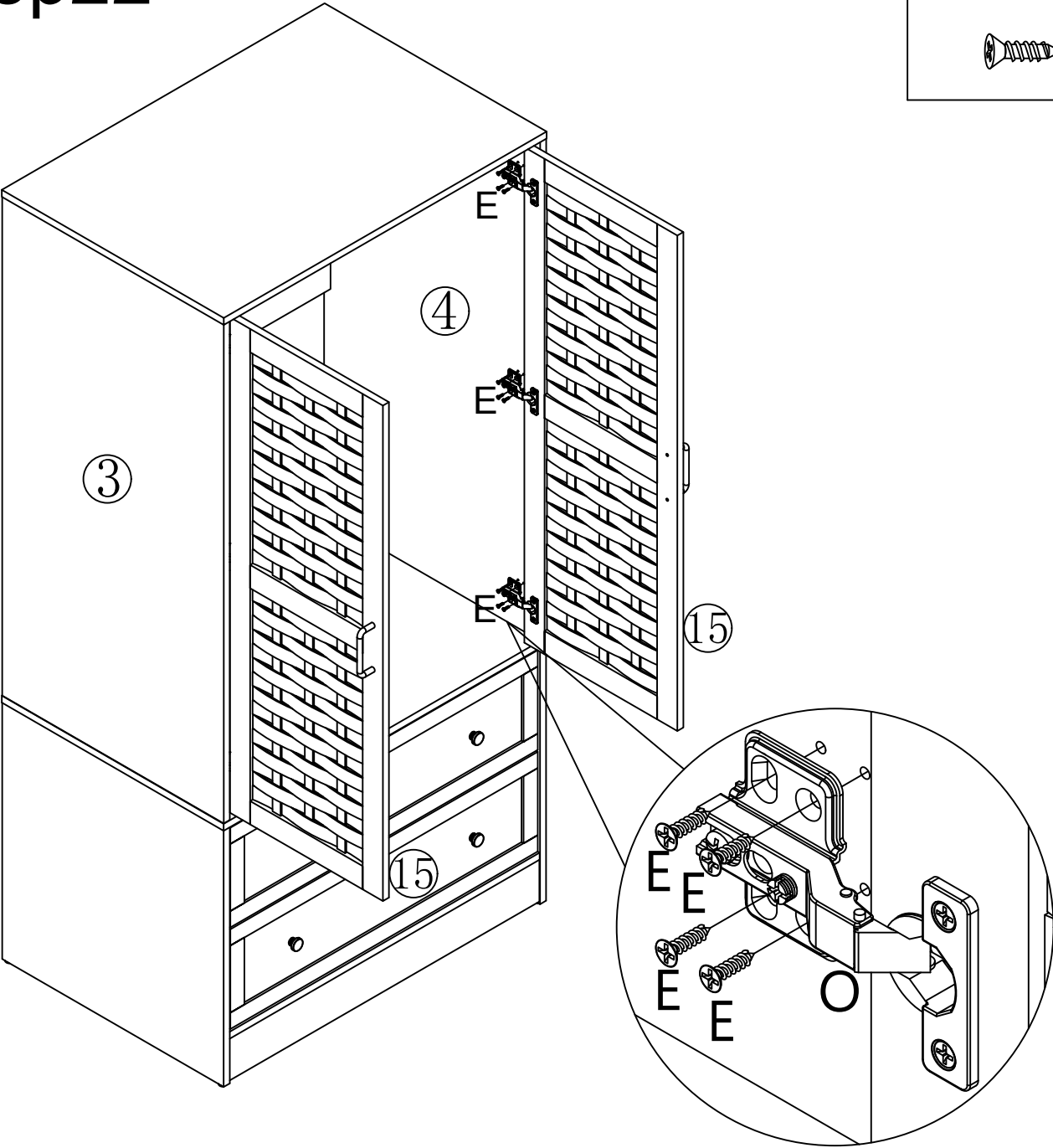
Step19

F	×4	I	×4




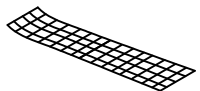
Step22

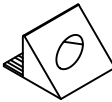
E	×24
	

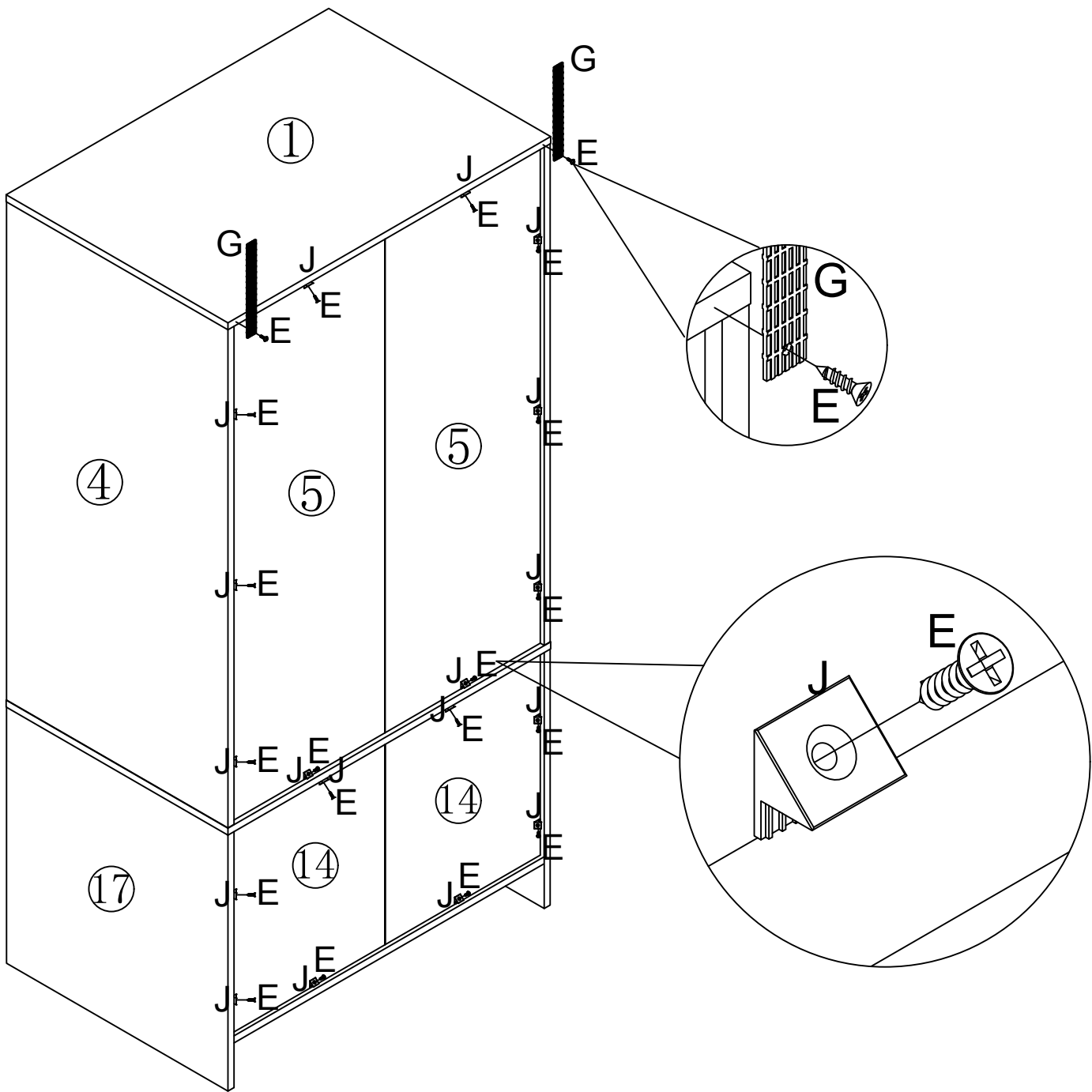


Step23

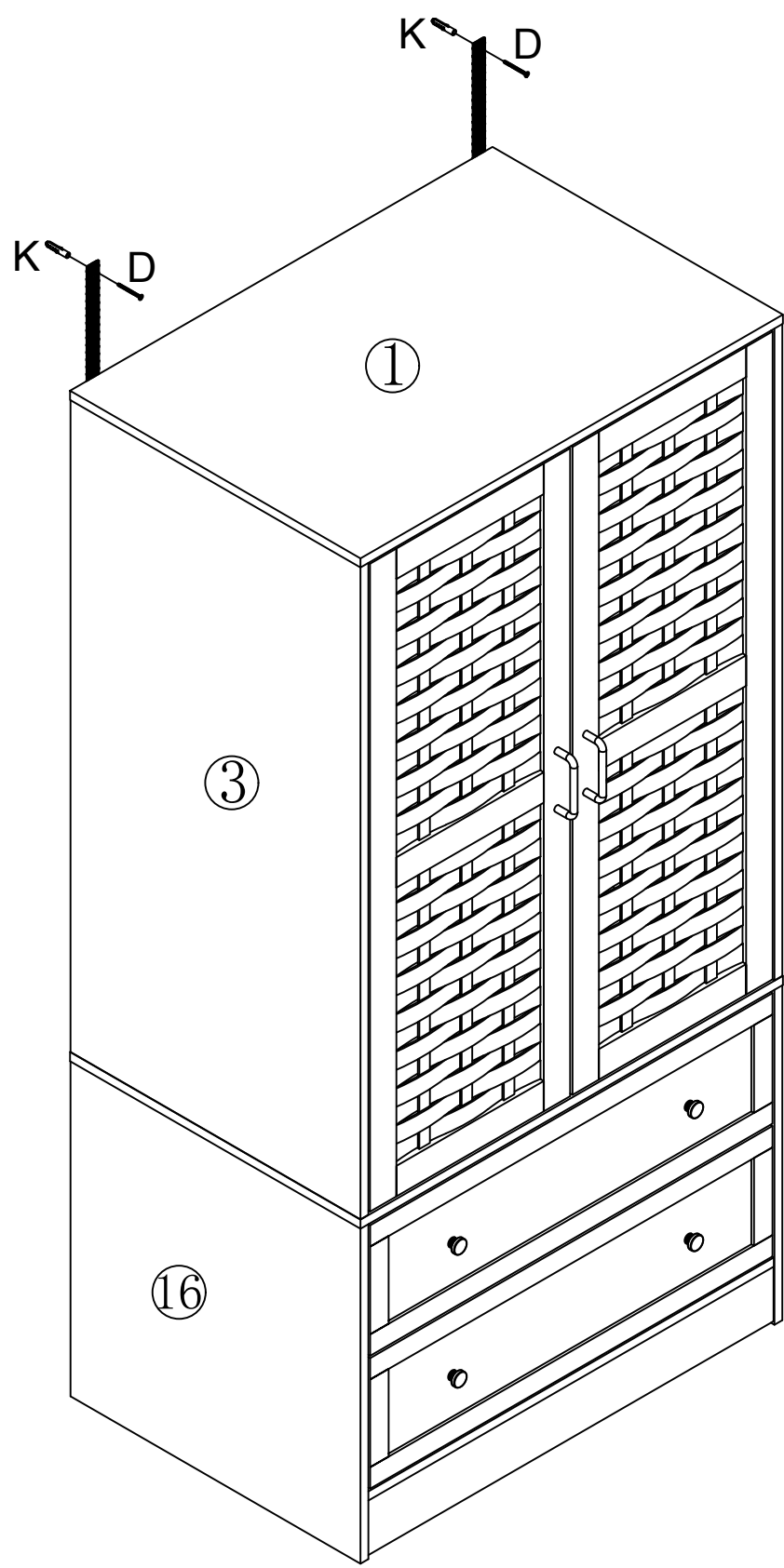
E	×20
	

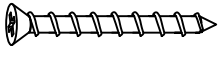
G	×2
	

J	×18
	



Step24



D	×2
	
K	×2
