

ASSEMBLY INSTRUCTIONS

PERGOLA & DECKING KIT









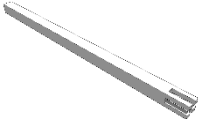
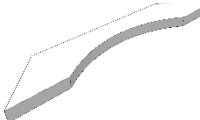
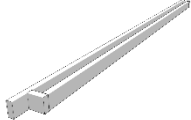
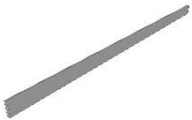
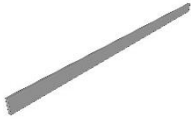
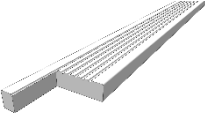
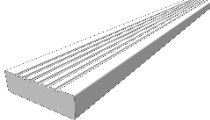
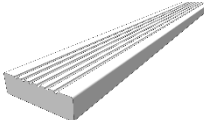
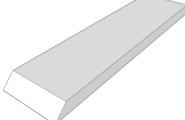
Before you commence the assembly process we recommend that you read these instructions thoroughly beforehand to familiarise yourself with the assembly process and to also check that you have the correct components. If for any reason you need assistance, you can find our contact details on the final page of these instructions.

We highly recommend that any assembly is carried out on an open flat, level surface if possible with sufficient space. You will also require the assistance of at least 2 adults to complete assembly safely.

Please note: For a free-standing pergola you can remove up to 400mm from the bottom of each post prior to commencing construction.



Component List

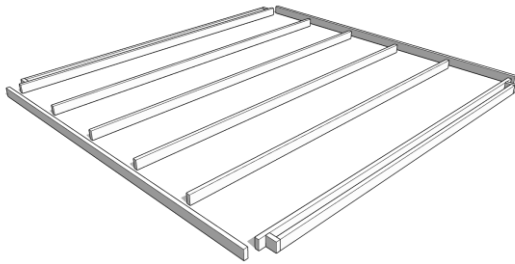
Tools required:		10mm socket, No2 Pozidriv screwdriver (or electric driver) , step ladder or platform.			
75mm x Woodscrews	65mm x Woodscrews	70mm coachscrews	100mm coachscrews	120mm coachscrews	200mm coachscrews
					
6 x Rafters	2 x Runners	4 x Posts	8 x Braces	2 x Base frame	2 x Edge joists (with pencil marks)
					
4 x Infill joists	2 x Post deck slats	Deck slats	4 x Upstand deck slats	16 x Cladding panels	
					

If you have ordered your pergola with a roof slope please refer to the charts below for guidance of the difference in length that you will need to cut your posts to accommodate the slope. **DO NOT REMOVE THE SLOTTED END OF THE POST WHEN CUTTING.**

5° Slope	
Rafter length (M)	Height diff (mm)
1.8	101
2.4	153
3	205
3.6	258
4.2	310
4.8	362

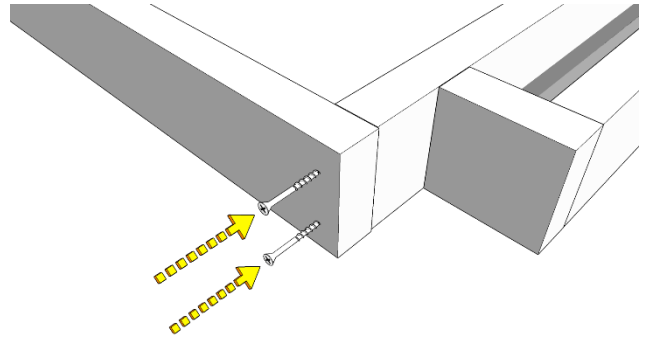
10° Slope	
Rafter length (M)	Height diff (mm)
1.8	201
2.4	305
3	409
3.6	513
4.2	617
4.8	722

Step 1



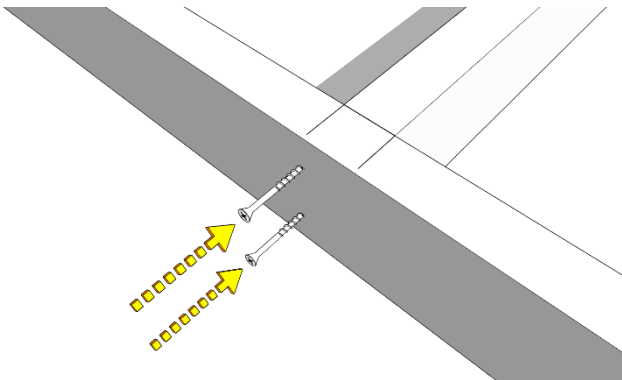
Select an area for your decking that is stable, firm and level. Layout the 2 x Base frame assemblies and 2 x Edge joists in a rectangle and then place the remaining infill joists roughly in place as shown here.

Step 2



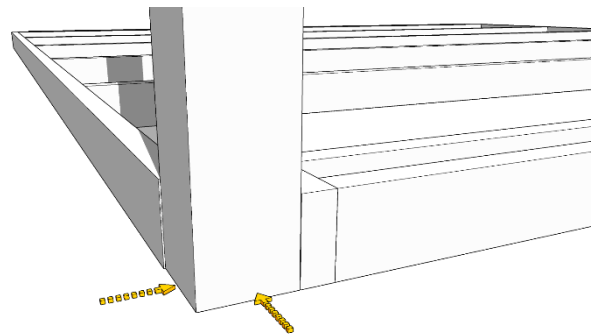
Attach the edge joists to the base frame assemblies using 2 x 75mm screws in the pre-drilled holes, making sure that the ends are flush and everything is square. Repeat for all 4 corners.

Step 3



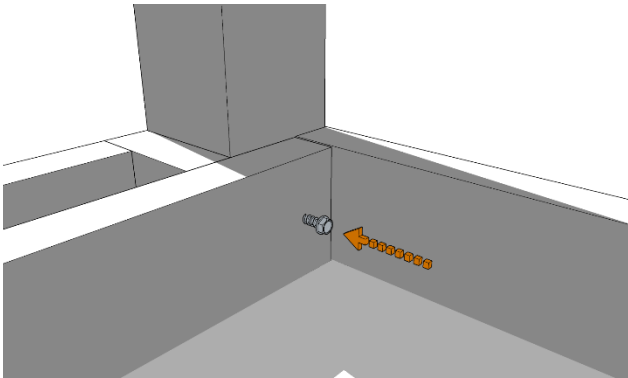
Line up the ends of each infill joist end with the markings on the edge joists, making sure the top faces are also flush, before screwing each end into place with 2 x 75mm green screws. Add the remaining joists to complete the frame for the decking.

Step 4



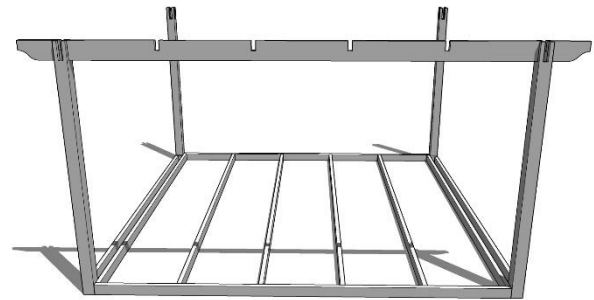
Get an assistant to hold the first post in place, housing it in the pocket formed where the base frame assembly and edge pieces meet.

Step 5



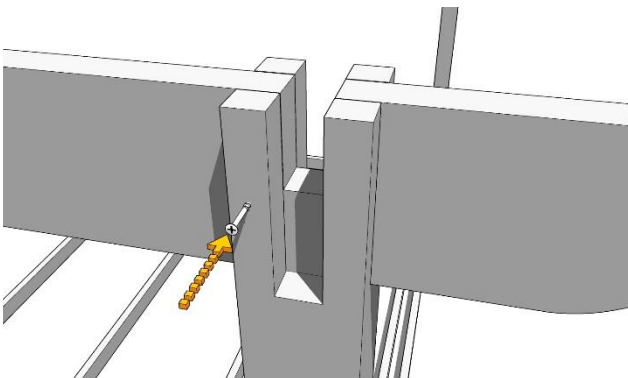
Secure the post in place with a 70mm coach screw through the Base frame assembly into the post as shown here.

Step 6



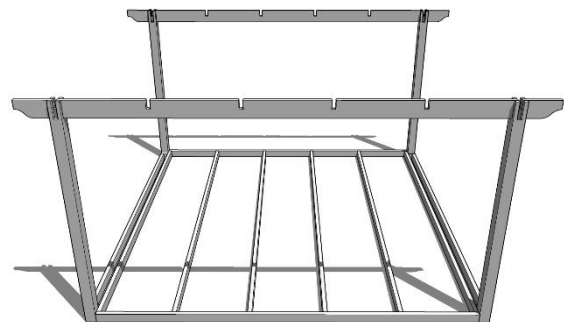
Have an assistant (or even two) help you lift one of the runners (note the multiple notches) into the notches on the post tops. **Note:** The runners are at 90° to the joists running across the deck area in this example, so that the deck slats run at 90° to the runners. If preferred, you can fit the runners parallel to the joists.

Step 7



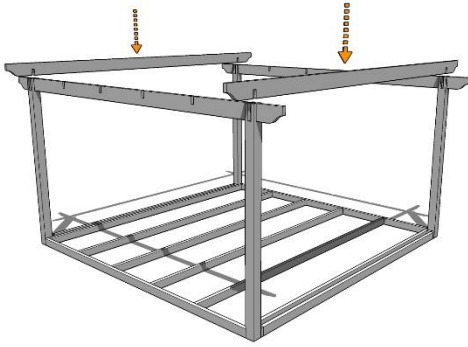
Line up the slot in the post with the end notch of the runner and secure each end into place with a 75mm woodscrew.

Step 8



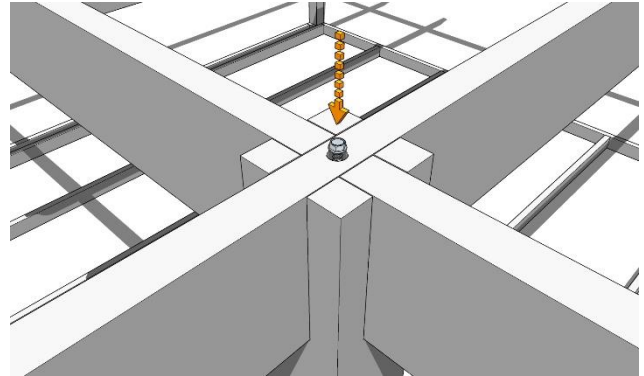
Attach a second runner to the other side of the posts from the first runner and fix in place.

Step 9



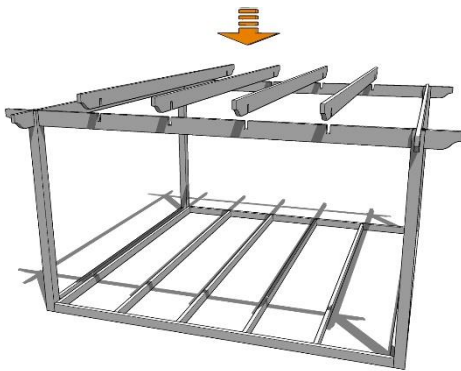
Drop the outer rafters into the post slots...

Step 10



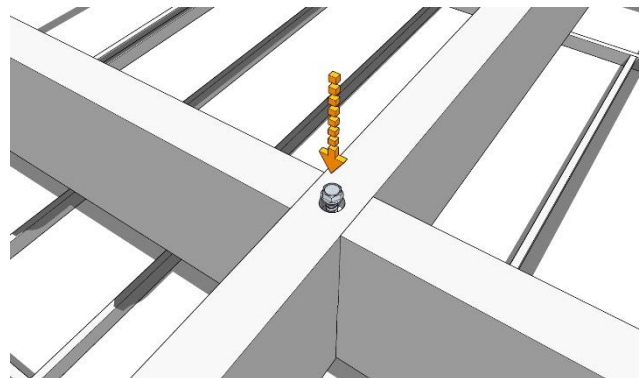
...and secure each corner of the pergola with a 200mm coachscrew driven down through the runner and rafter into the post.

Step 11



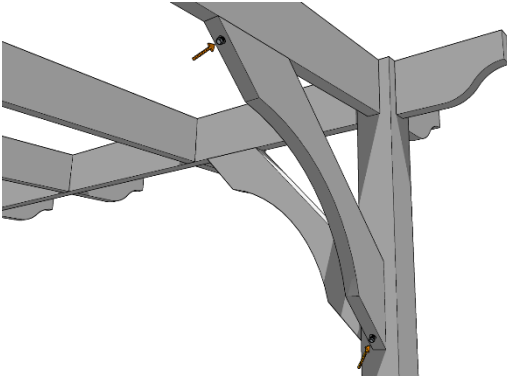
Add the remaining rafters, dropping each one into the appropriate slots along the runners.

Step 12



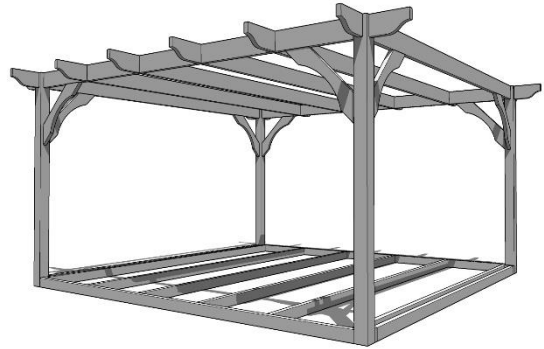
Fix each end of the rafters into place with a 120mm coachscrew into the runners.

Step 13



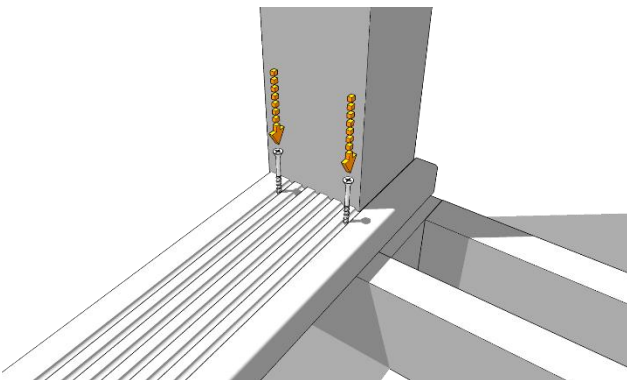
Add a brace to the post by butting the angled faces against the post and underside of the runner and aligning it centrally against the post before fixing into place with a 100mm coachscrew through each end.

Step 14



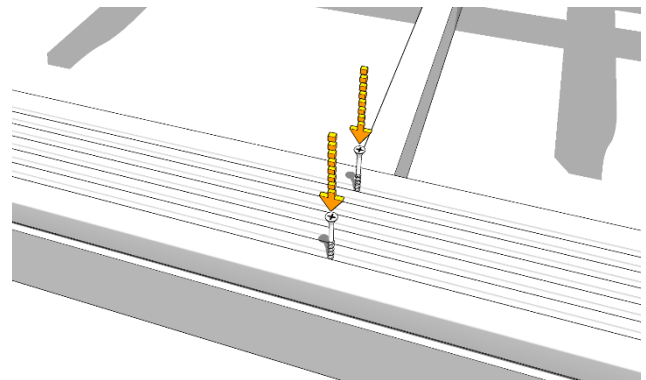
Add all of the braces before proceeding to the next step.

Step 17



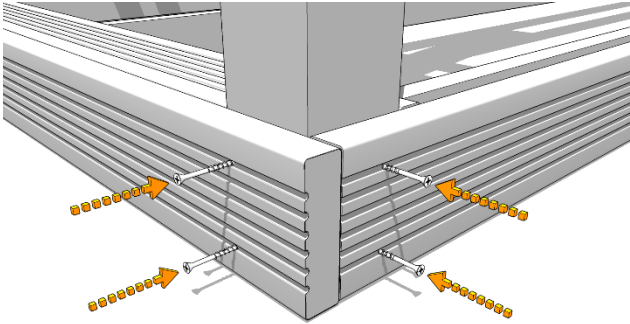
Place one of the Post deck slats so that it runs post to post, perpendicular to the deck frame joists. Make sure the edge is flush with the outer edge of the frame before securing each end in place with 2 x 65mm woodscrews.

Step 18



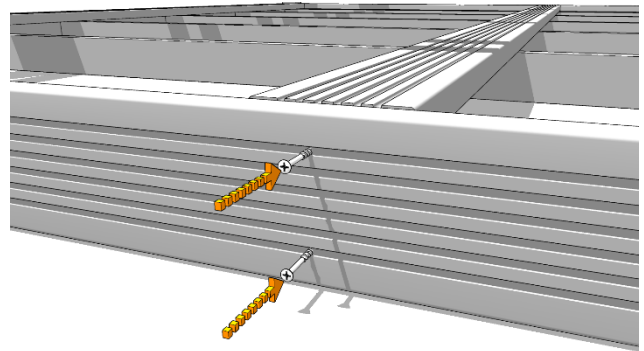
Find the most central joist and, having checked the edge of the deck slat is flush with the frame edge (push/pull the slat into place if required) secure in place with 2 x 65mm woodscrews into the joist. Attach the second Post deck slat to the opposite side of the base in the same way.

Step 19



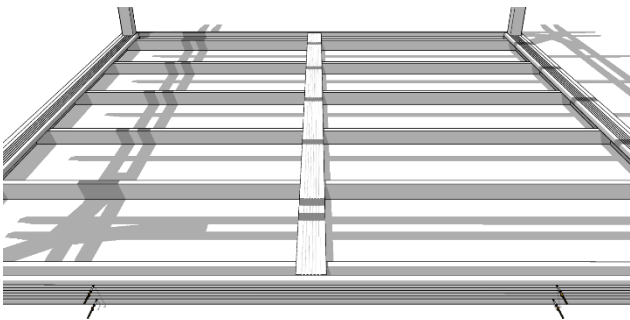
Now arrange the upstand edge decking pieces around the perimeter of the base (note how the longer pieces run parallel to the Post deck slats from the previous Step). Fix the end of each piece into place at each post with 2 x 65mm woodscrews as shown here.

Step 20



Lay one of the deck slats across the base, perpendicular to the joists. Make sure this slat is sitting on the base framework correctly and use this as a guide to ensure the centre of the upstand piece is flush with deck. Push/pull the upstand up or down if necessary, before fixing it into place with 2 x 65mm woodscrews.

Step 21



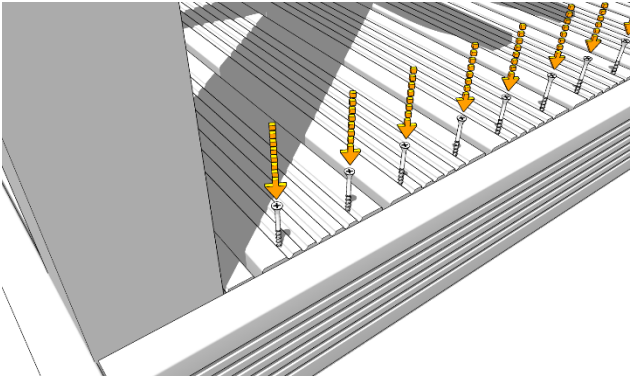
Halfway between the post and the frame centre add further intermediate screws to finish securing the upstand edge slats in place. Attach the remaining upstand edge slats using the procedures in Steps 20-22 (rotate the deck piece across the base through 90° as necessary).

Step 22



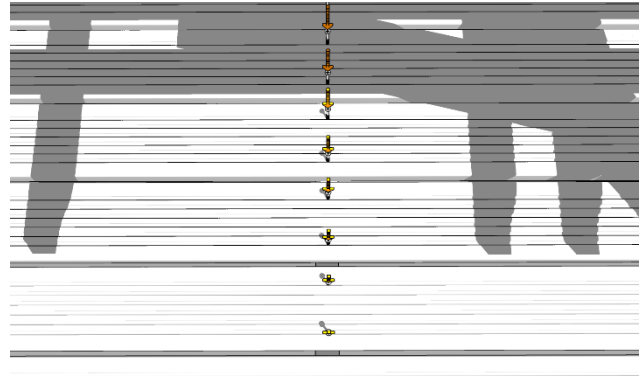
Lay out all of the decking pieces across the infill joists and adjust until you have them evenly spaced across the base.

Step 23



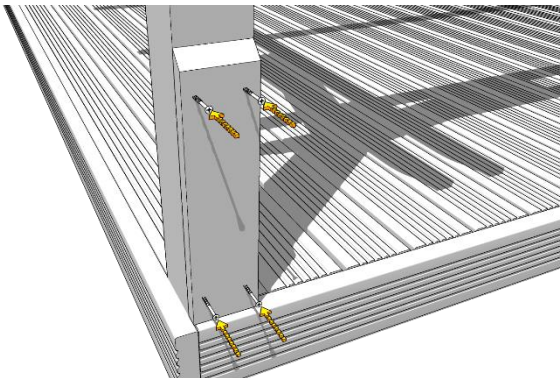
Fix both ends of every slat down with 2 x 65mm woodscrews.

Step 24



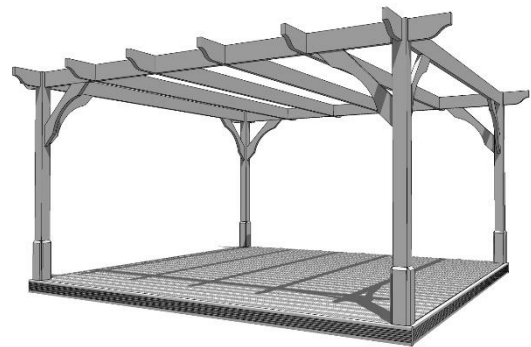
Locate each of the infill joists by looking through the gaps in between the slats and secure every decking slat to each infill joist with a pair of 65mm woodscrews.

Step 25



Attach four cladding panels to each post by aligning with the post, bevelled face uppermost, and secure in place with 4 x 65mm woodscrews.

Optional



Your Premium Pergola and Decking Kit is now complete.