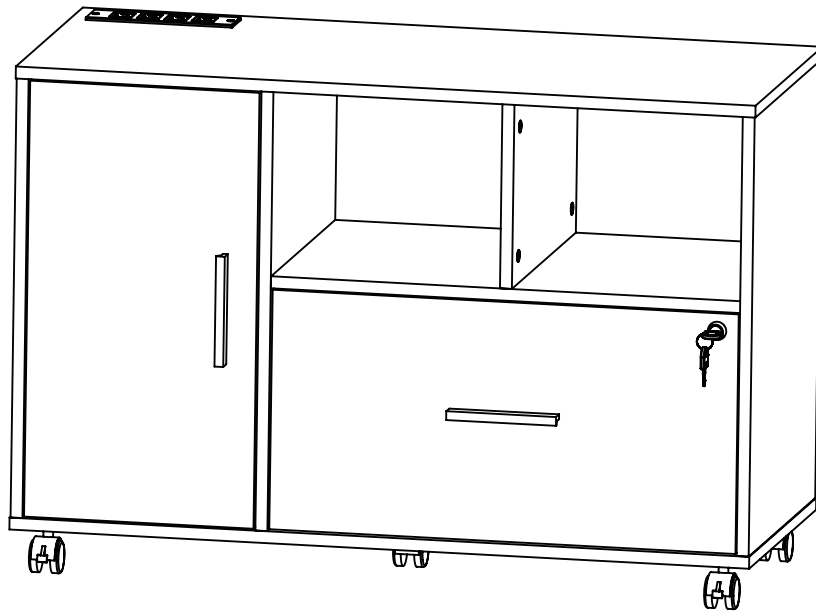




**DEVAISE**  
WWW.DEVAISE.COM



**AHDG072**

Wood 1 Drawer With Outlet Single Door Mobile Cabinet V3.5



## IMPORTANT INFORMATION

READ CAREFULLY.

KEEP THIS INFORMATION FOR FURTHER REFERENCE.

## GENERAL GUIDELINES

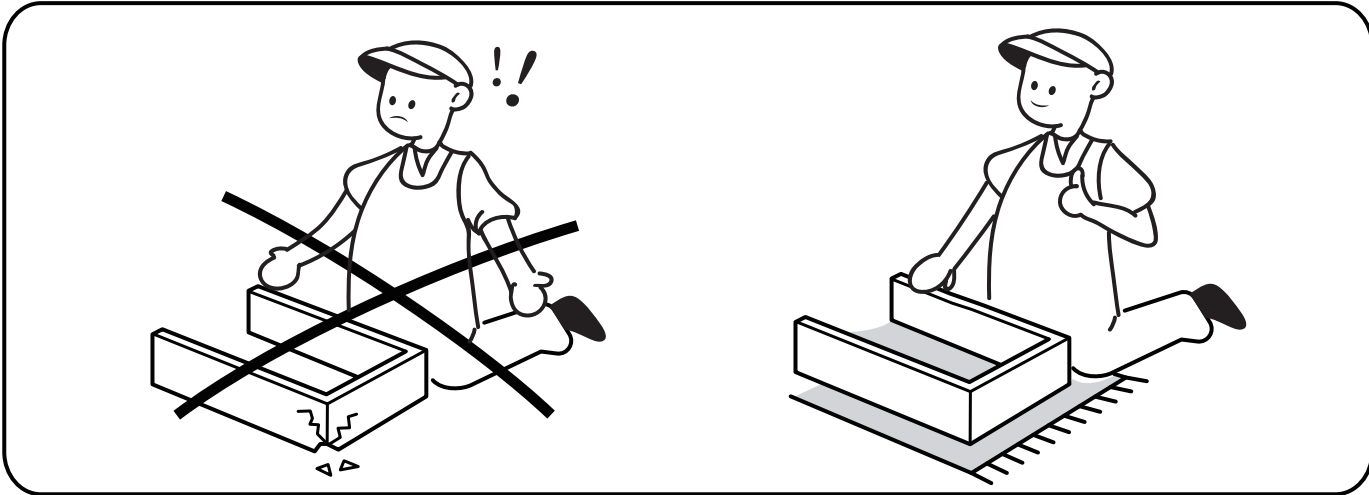
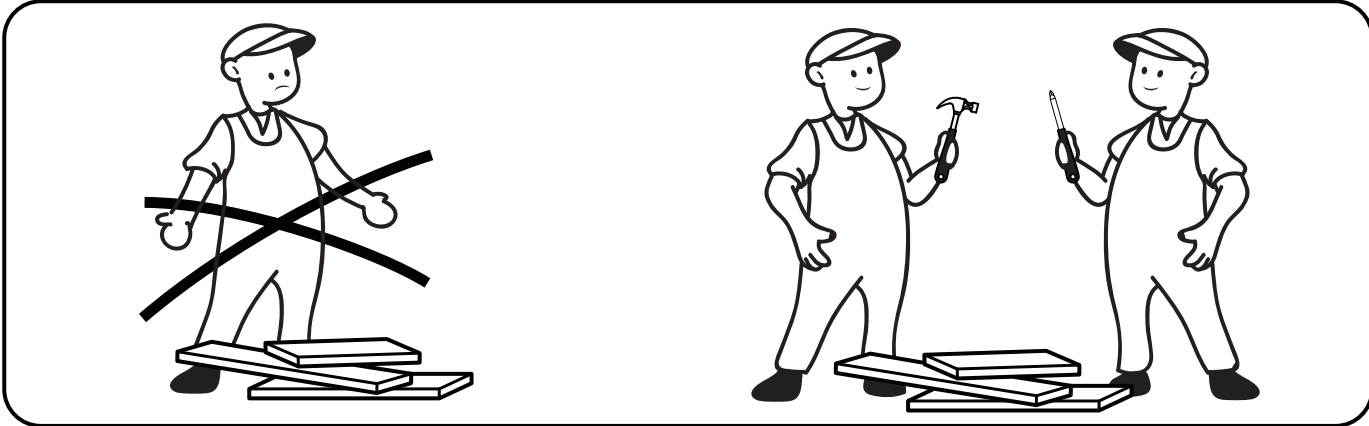
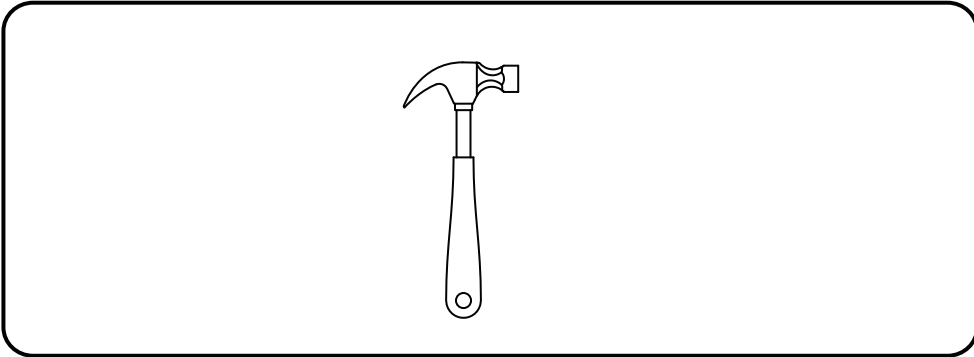
- Please read the following instruction carefully and use the product accordingly.
- Please keep this manual and hand it over when you transfer the product.
- This summary may not include every detail of all variations and considered steps. Please **contact us** when further information and help are needed.

## NOTES

- Please follow the assembly instructions precisely and only use the product as intended.
- If an odor is present when first opening the package, please leave the unwrapped product in a shaded and ventilated area for a few days to air out.
- Prior to assembly, please check the product for defects or missing accessories. If any defects are found or accessories are missing, do not use product as damage or injury may occur; Please **contact us** for assistance and replacement.
- It is suggested you regularly check the products bolts and connections to ensure safe use.
- Assemble the item on a soft flat and clean surface to avoid scratches and damage.
- It is recommended that two people assemble this product.

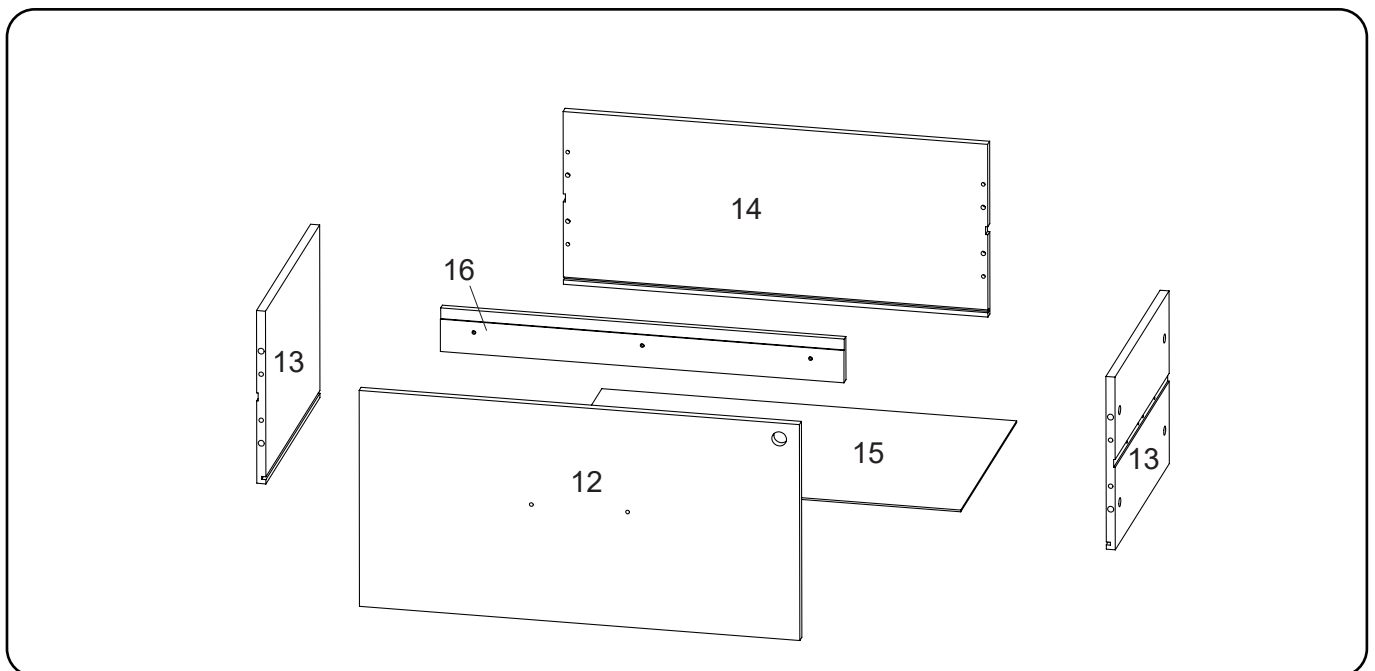
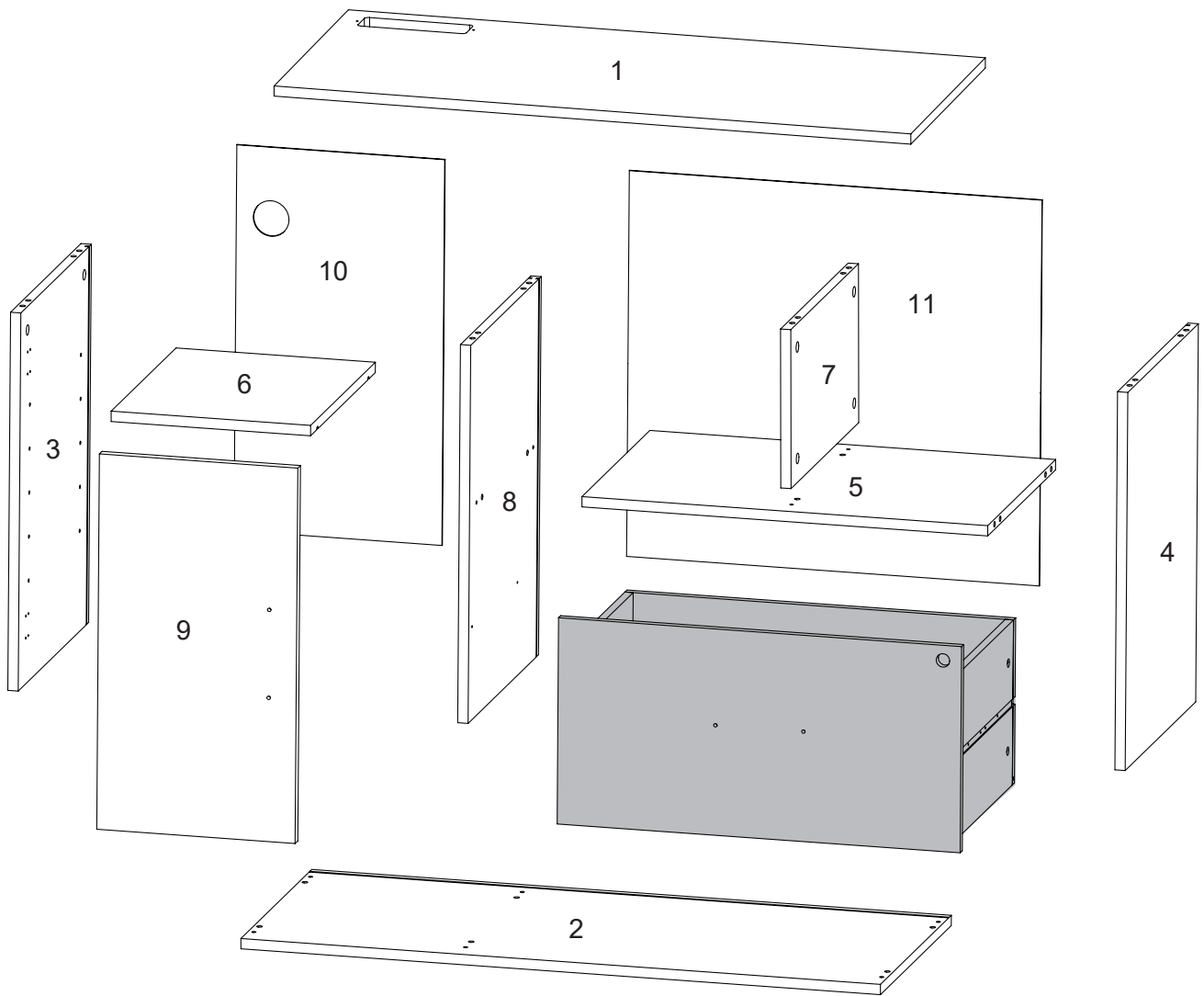
## WARNINGS

- During assembly, keep parts and packaging materials away from children and pets as there could cause injury and are a potential choking hazard.
- Avoid sharp objects or corrosive chemicals to prevent damage to the product.
- Please open the item slowly and cautiously to avoid pinching your hands by metal joints, especially children.






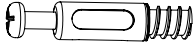




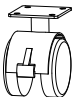

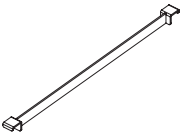



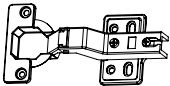
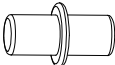
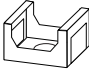
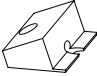
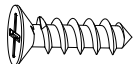

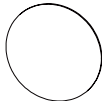
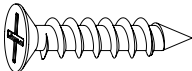
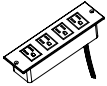
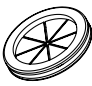
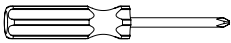


- If you have any further questions, please feel free to contact us by email or official website: **[devaise-cs@devaise.com](mailto:devaise-cs@devaise.com)**  
We will reply ASAP.
- Before installation, please make sure you have all the hardware, the serial numbers are properly labeled corresponding to the list, and the quantity is correct.
- Enjoy your new purchase!

EXPLODED DRAWING

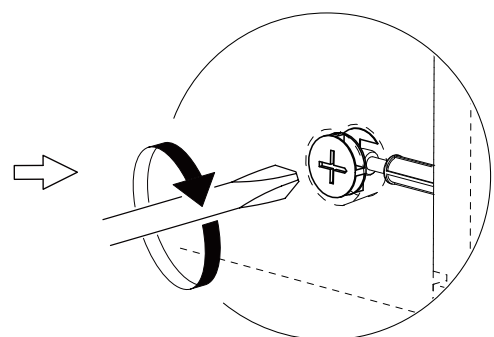
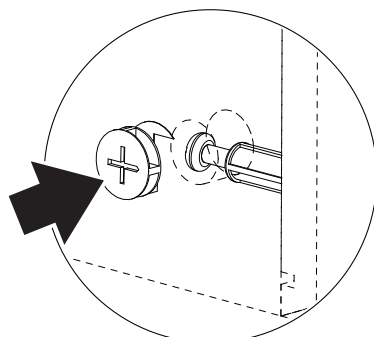
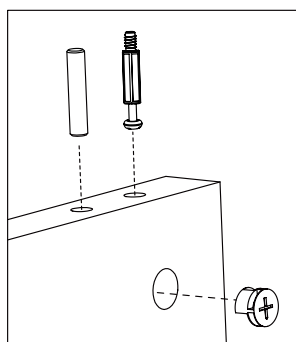


## PARTS



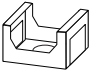
 <p><b>A</b> X14</p>	 <p><b>B</b> X20</p>	 <p><b>C</b> X14 Ø15</p>	 <p><b>D</b> X2 D1 D2</p>
 <p><b>E</b> X2</p>	 <p><b>F</b> X8</p>	 <p><b>G</b> X8</p>	 <p><b>H</b> X8 Ø12</p>
 <p><b>I</b> X45 M4x14</p>	 <p><b>J</b> X6 M4x10</p>	 <p><b>K</b> X2</p>	 <p><b>L</b> X3</p>
 <p><b>M</b> X1</p>	 <p><b>N</b> X2</p>	 <p><b>O</b> X2</p>	 <p><b>P</b> X1 P1 P2 P3</p>
 <p><b>Q</b> X2</p>	 <p><b>R</b> X4</p>	 <p><b>S</b> X1</p>	 <p><b>T</b> X8</p>
 <p><b>U</b> X4 M4x16</p>	 <p><b>V</b> X6 M5x50</p>	 <p><b>W</b> X22</p>	 <p><b>X</b> X3 M4x22</p>
 <p><b>Y</b> X1</p>	 <p><b>Z</b> X1</p>		

## REMARK

### MINIFIX POSITION

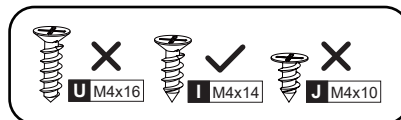
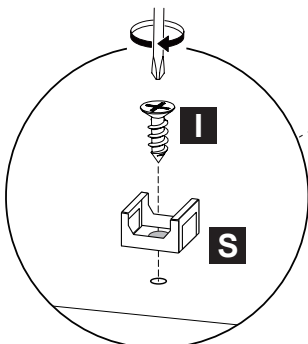
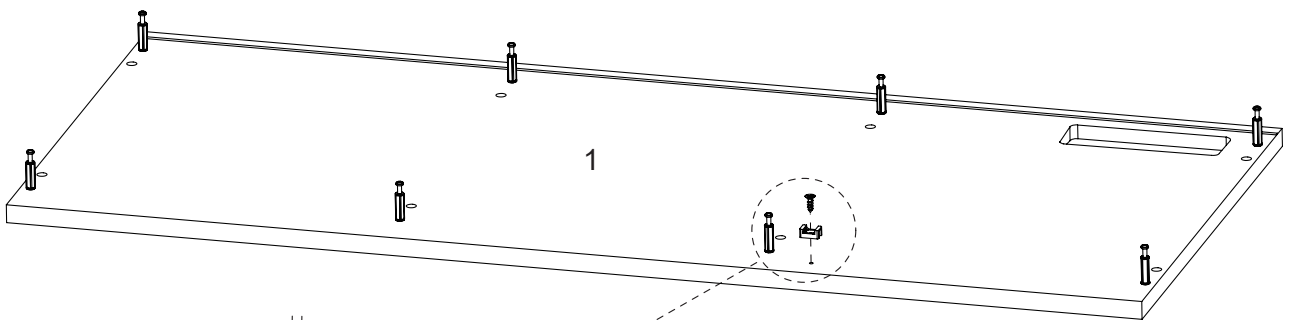
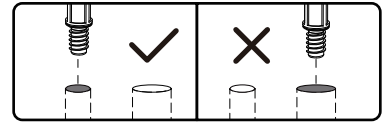
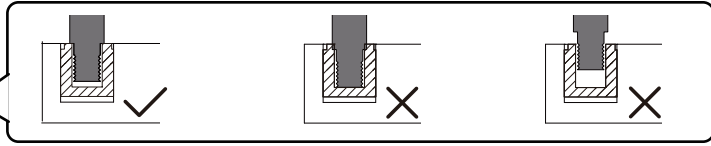
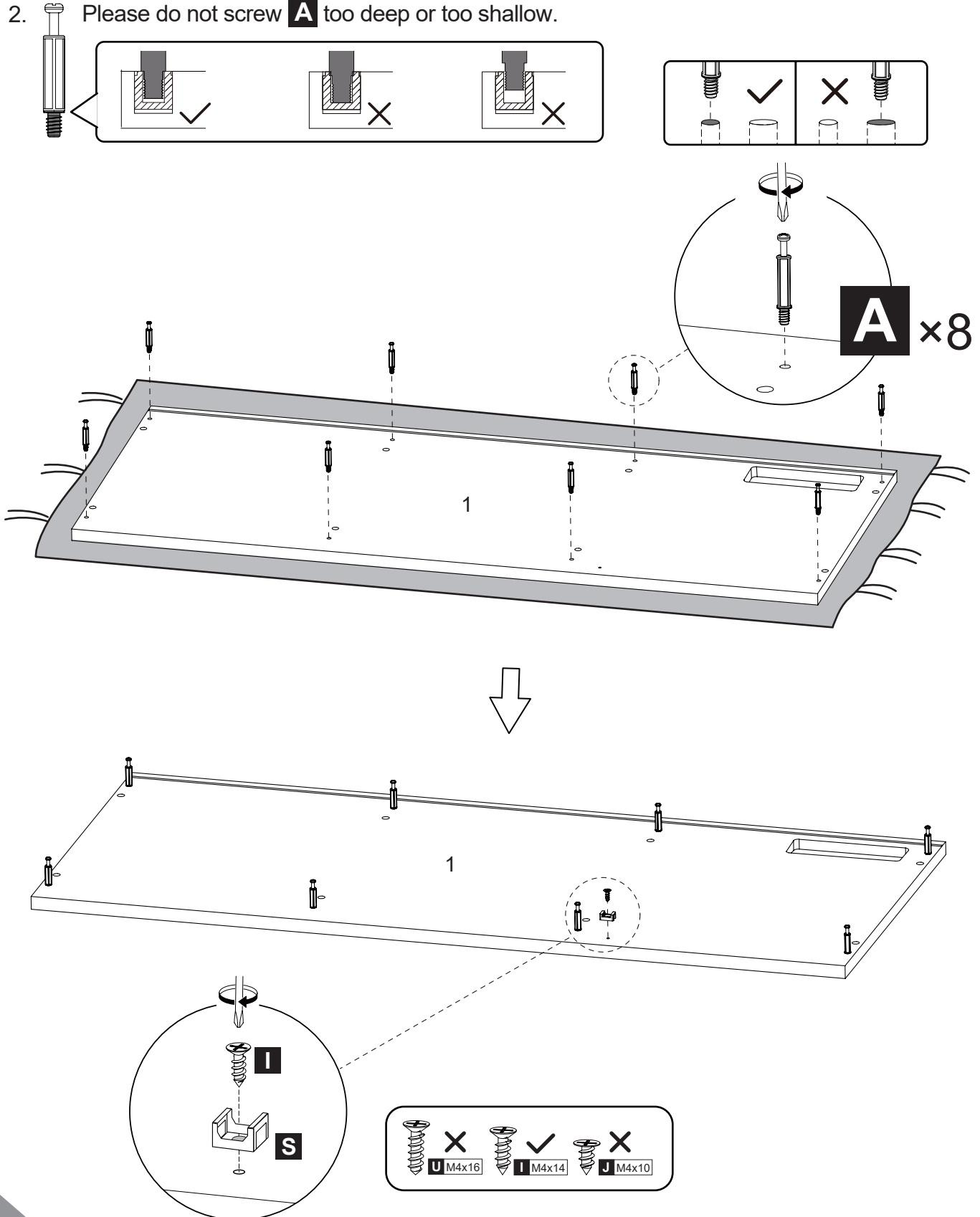


# 1



 <b>A</b> X8	 <b>I</b> X1 M4x14
	 <b>S</b> X1

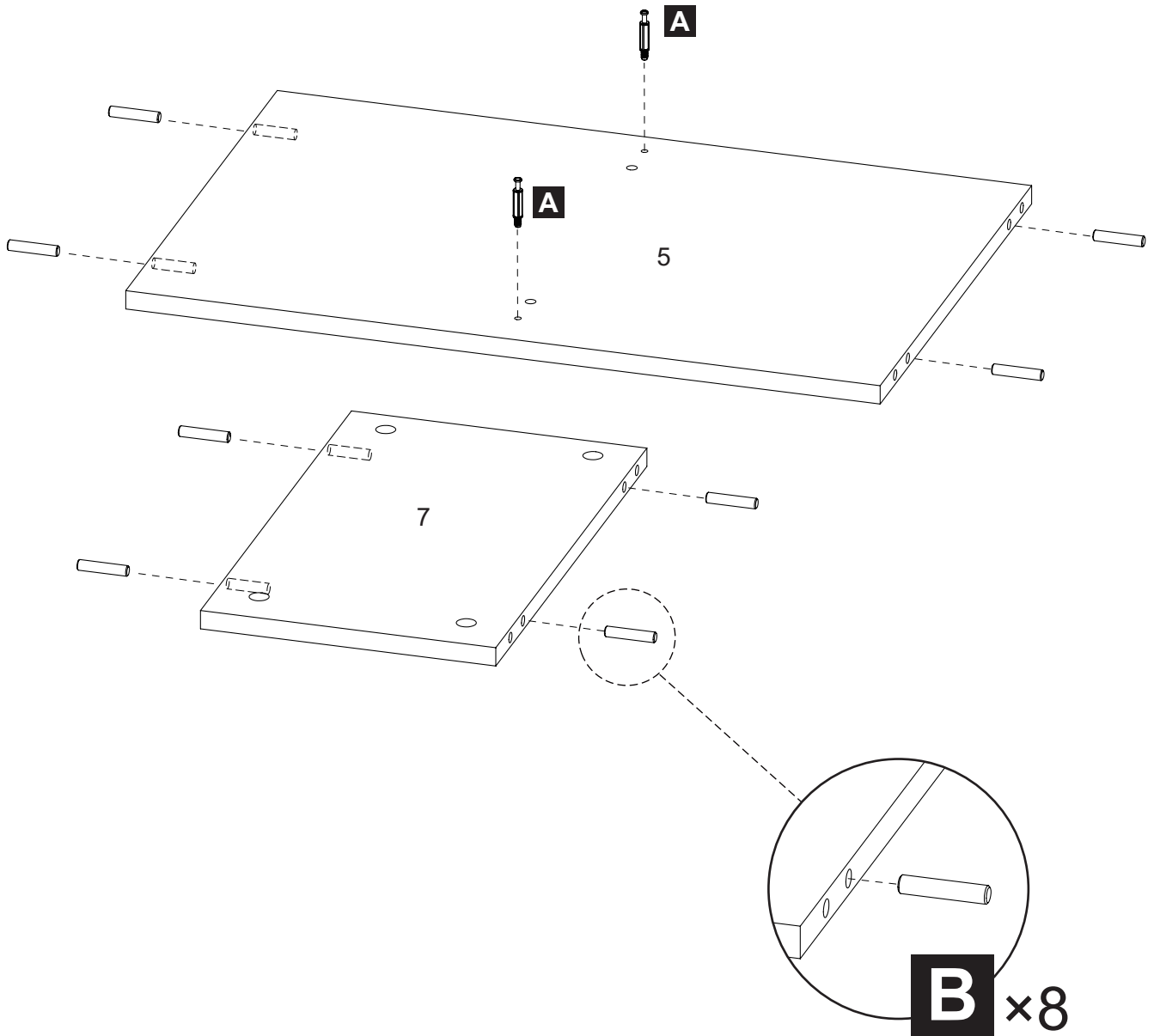
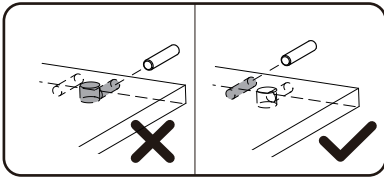
## REMARK

1. Put a blanket under the board to avoid scratch or damage.
2. Please do not screw **A** too deep or too shallow.




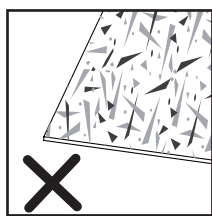
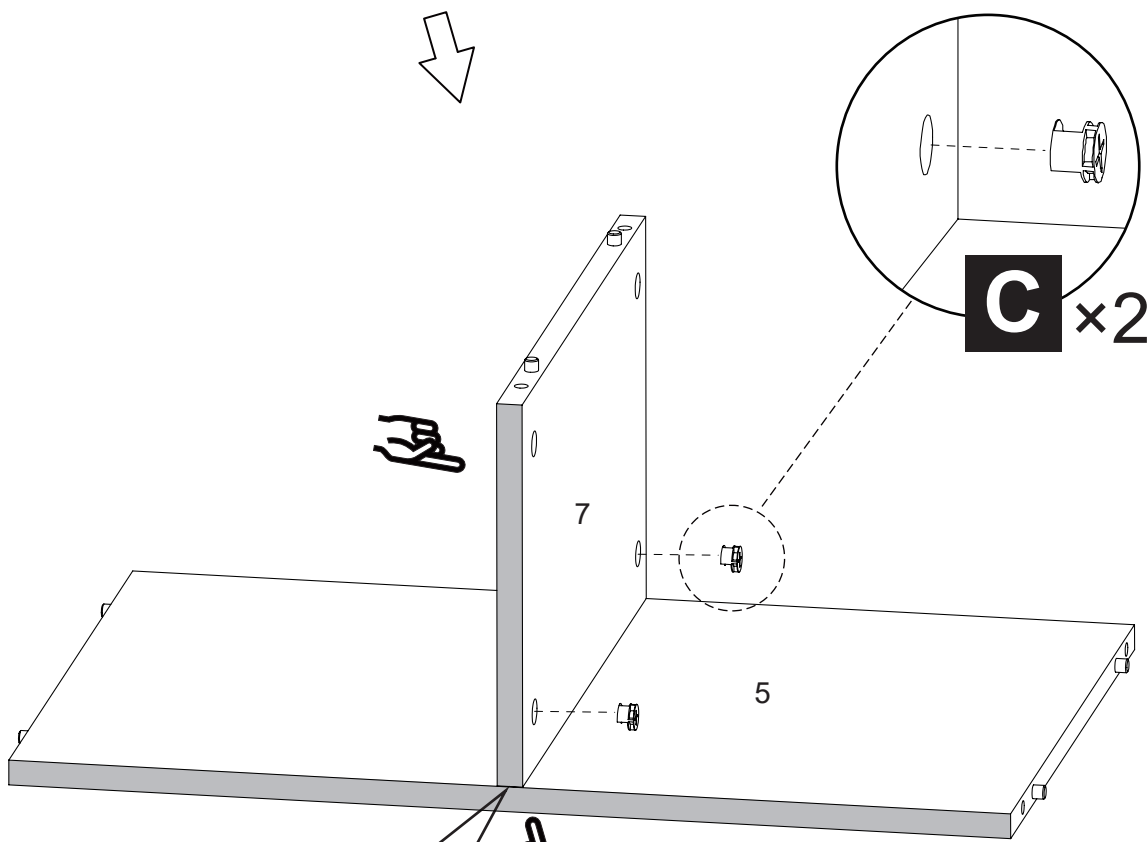
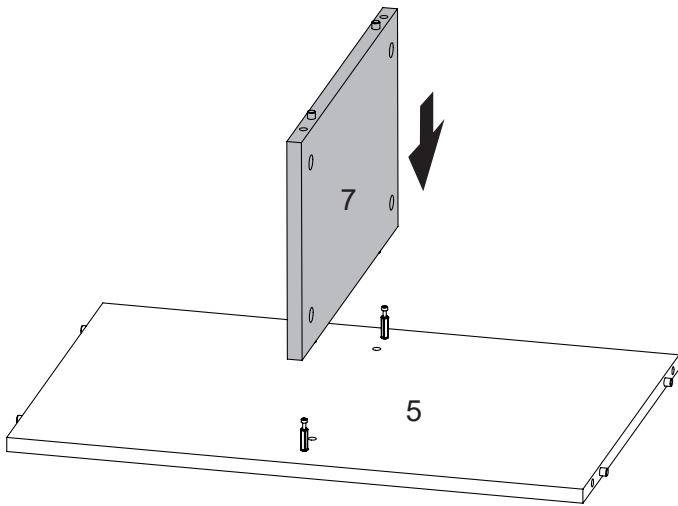
## 2

	<b>A</b> X2
	<b>B</b> X8

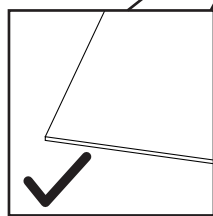


## 3

	<b>C</b> X2
	Ø 15


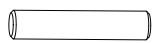


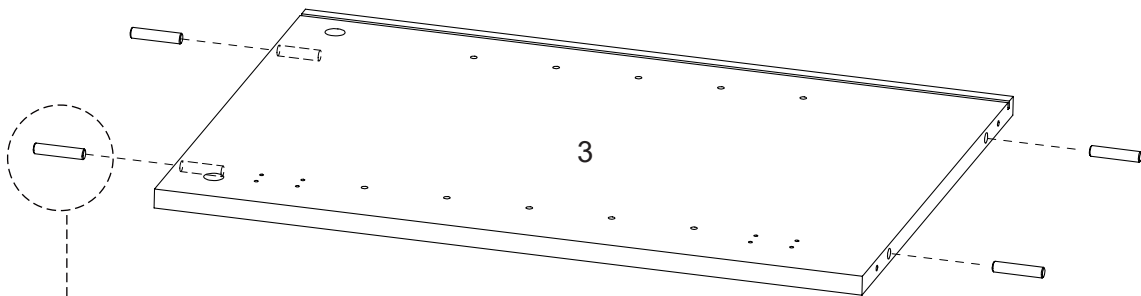
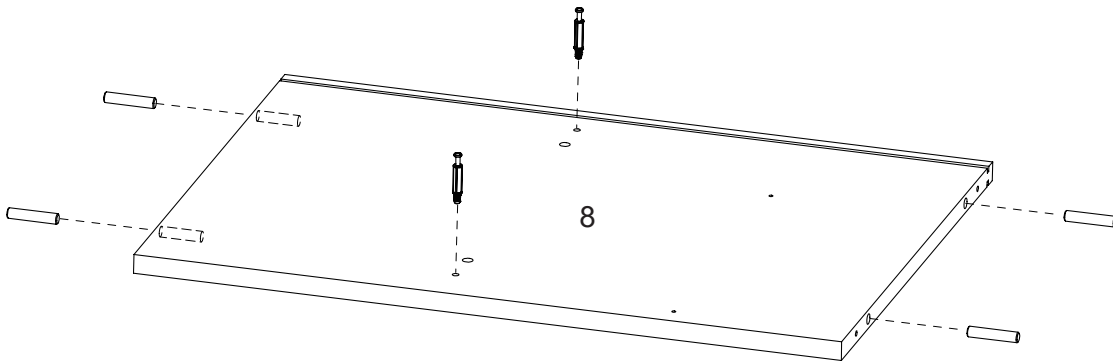
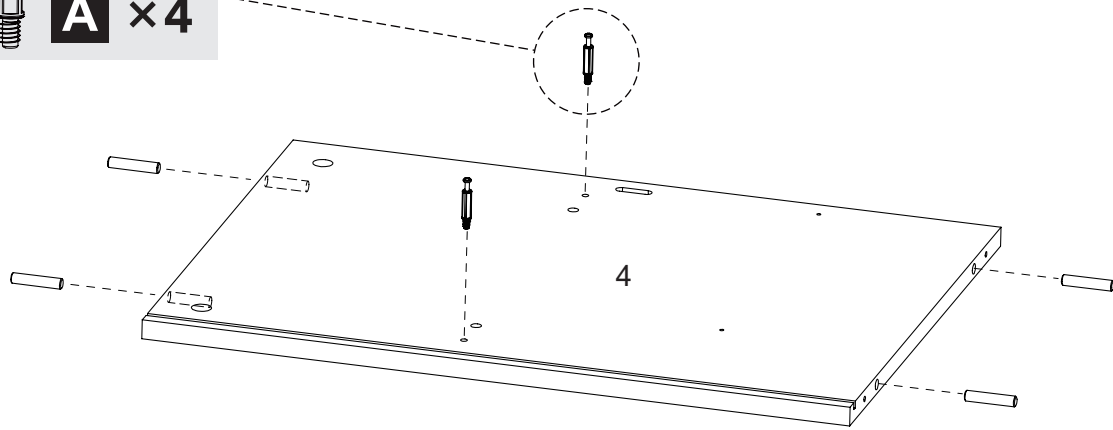
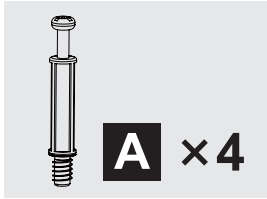
origin wood - colored





pure colored

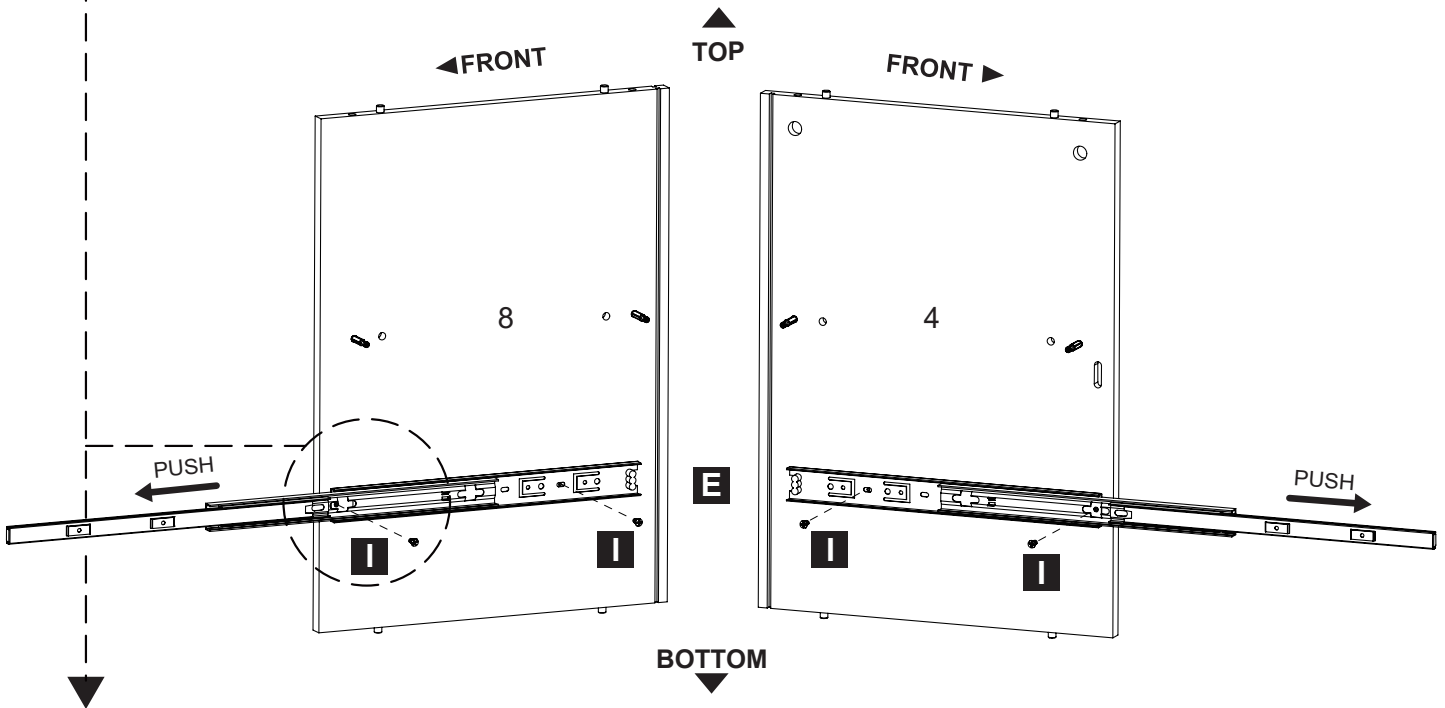
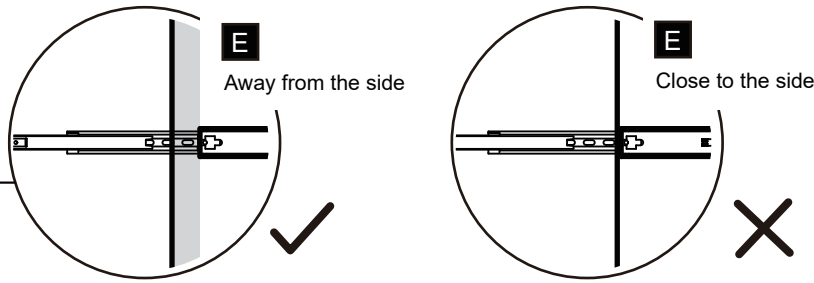
# 4

	<b>A</b> X4
	<b>B</b> X12



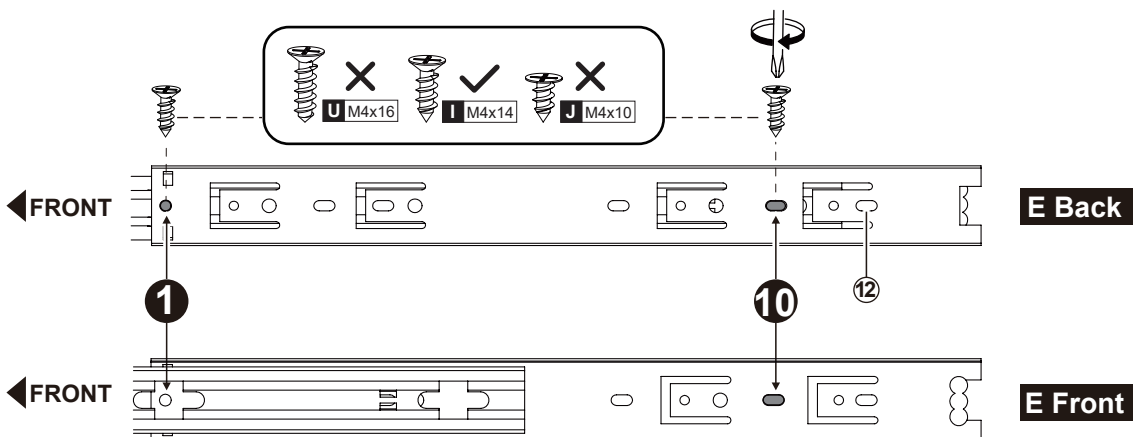
## 5

	<b>I</b> X4 M4x14
	<b>E</b> X2




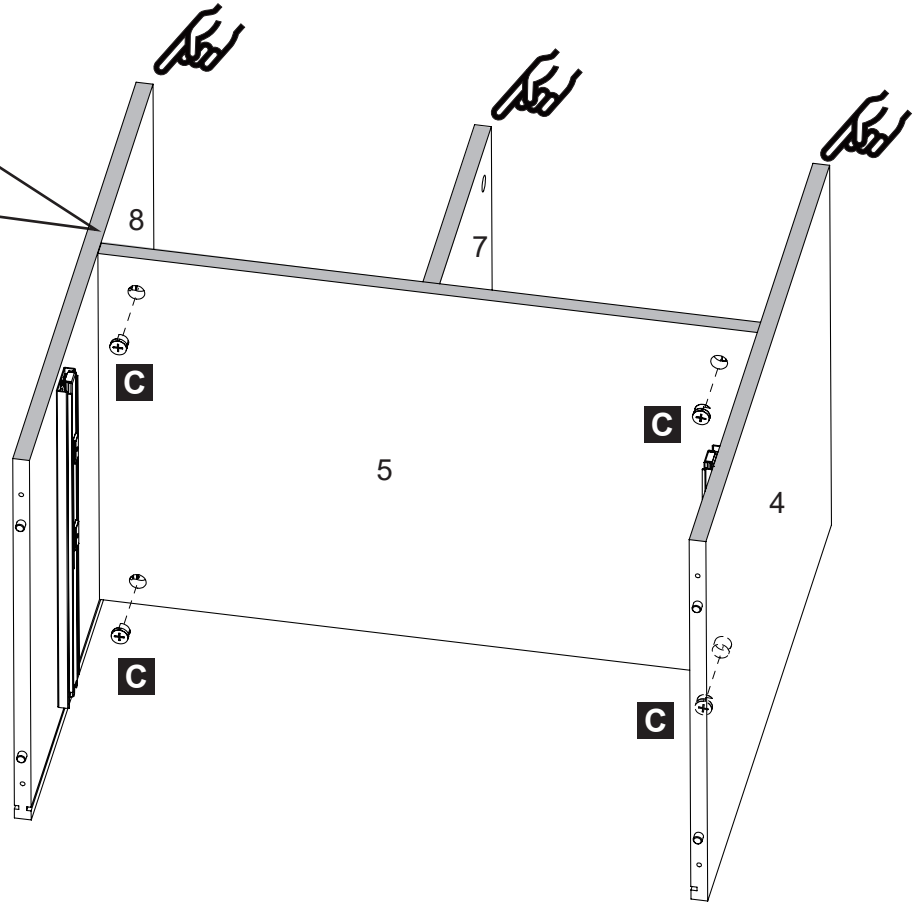
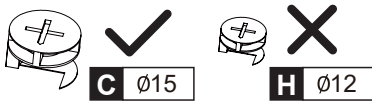
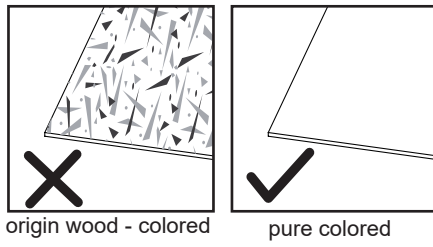
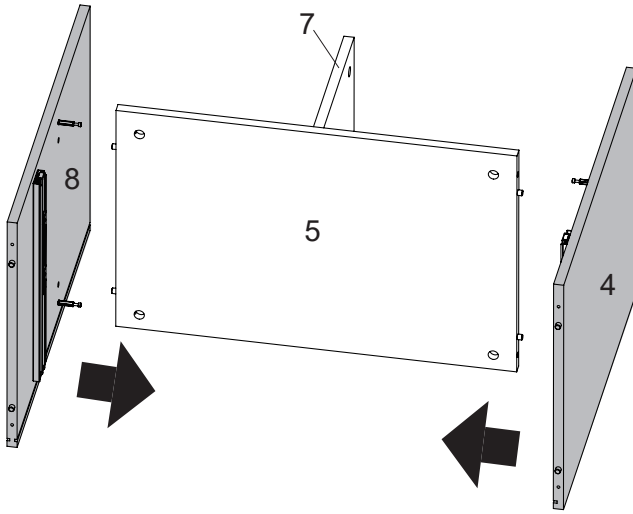
### REMARK

1. When installing, please make sure the screws are flattened, not crooked; Otherwise the drawers will not be installed perfectly.
2. Please locate the holes from the back of part **E**.
3. Then please install part **I** from the front of part **E**.
4. Please install hole #1 first, then hole #10.

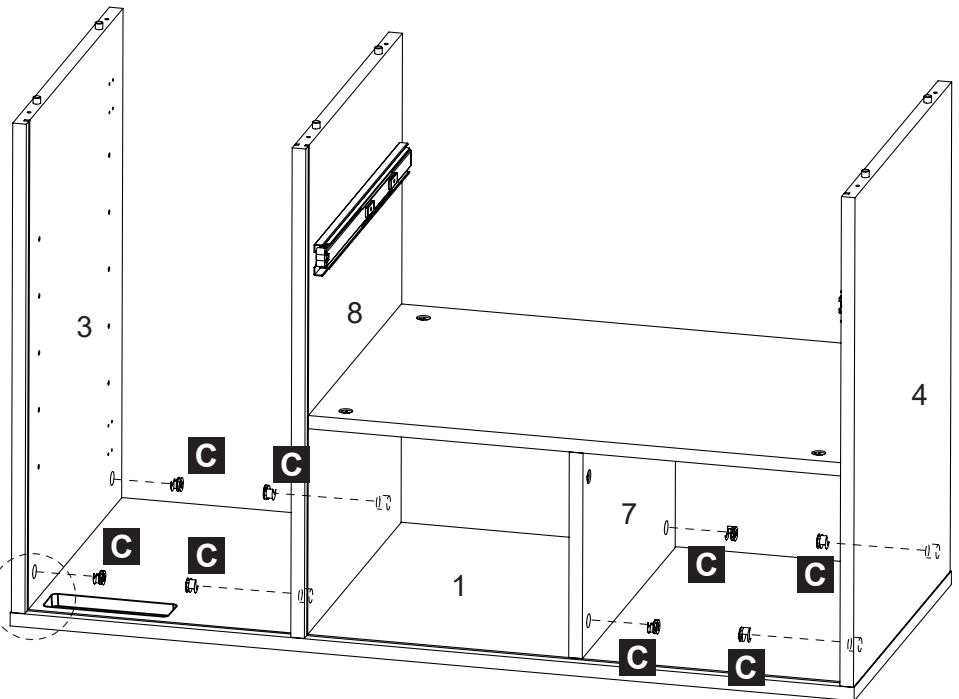
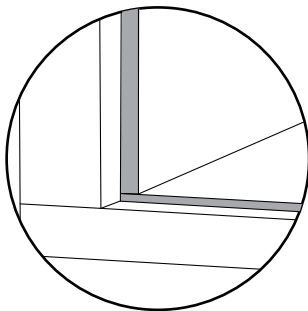
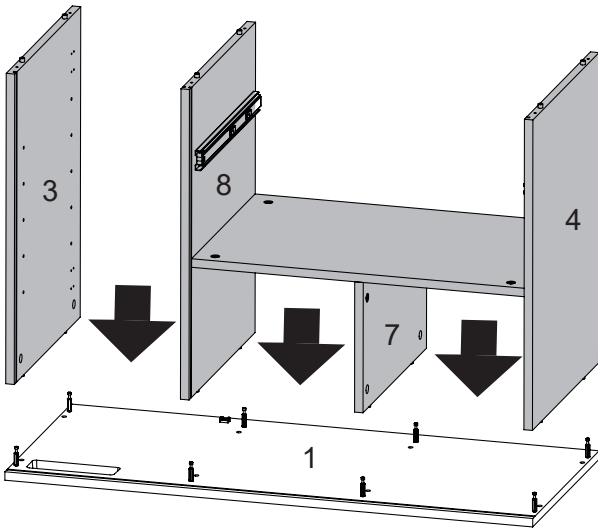
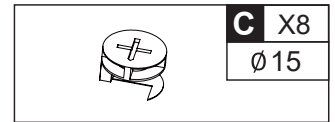


## 6

	<b>C</b> X4
	Ø15

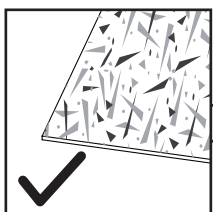
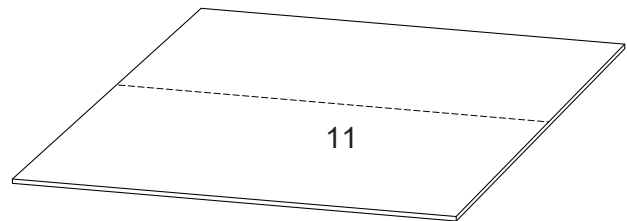
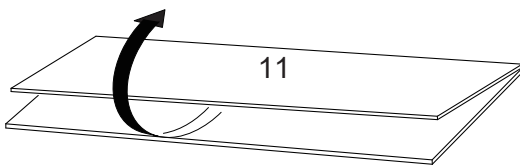
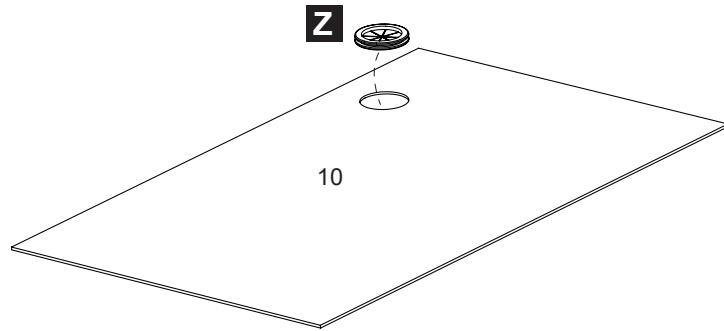
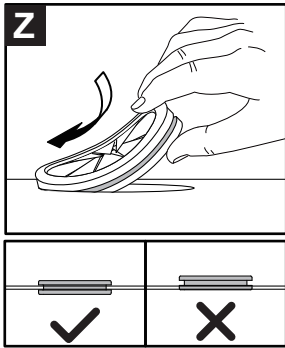


## 7

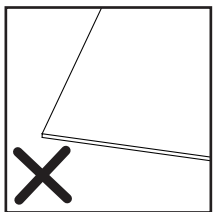


### REMARK

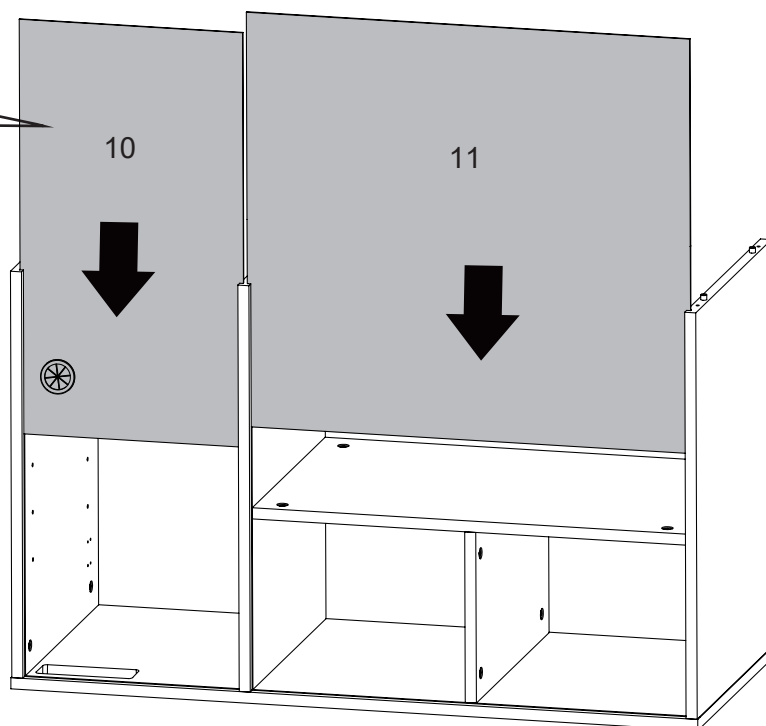
Let the grooves on part 3、4、8 be connected to the groove on part 1 .



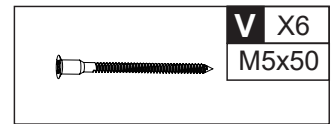
✓  
origin wood - colored



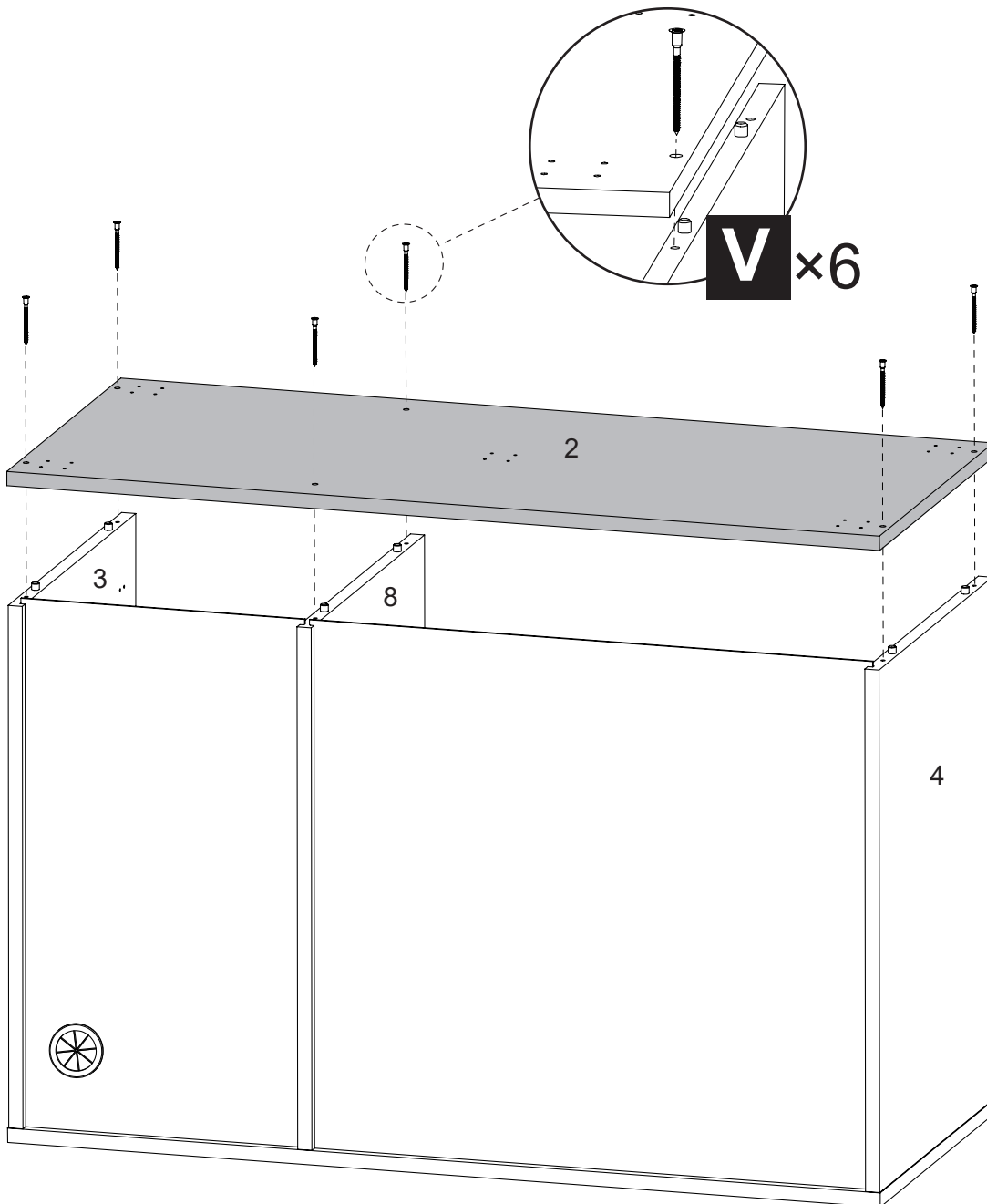
✗  
pure colored






9

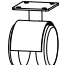

**REMARK**

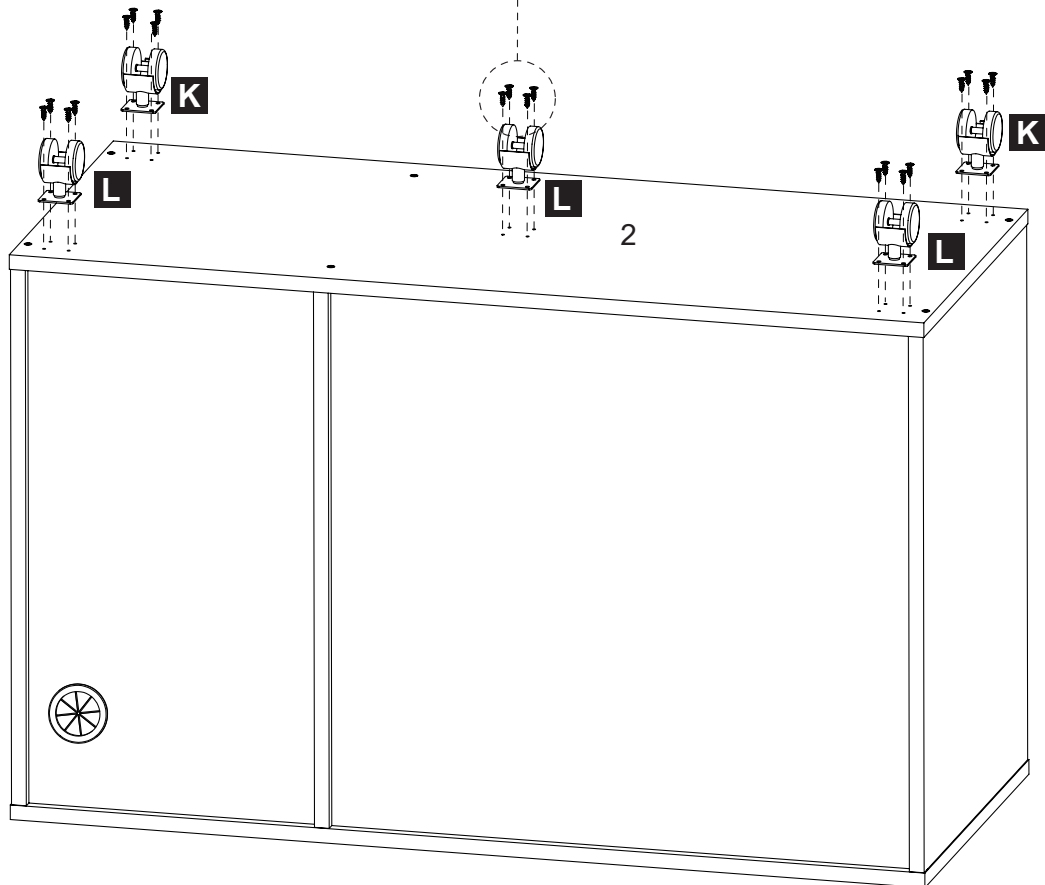
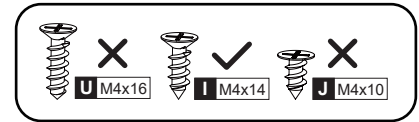
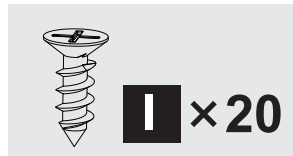
1. Install screw **V** after connect part **2** with part **3**、**4**、**8**.
2. Please do not fully tighten screws until all screws are in place.





## 10

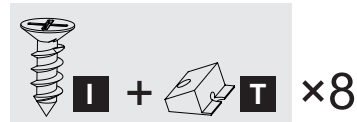
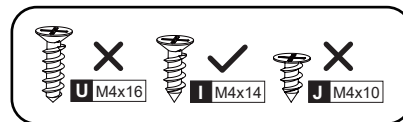
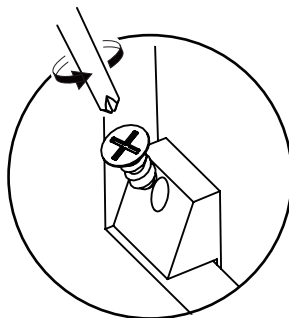
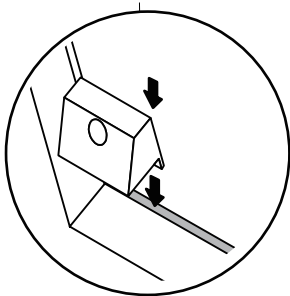
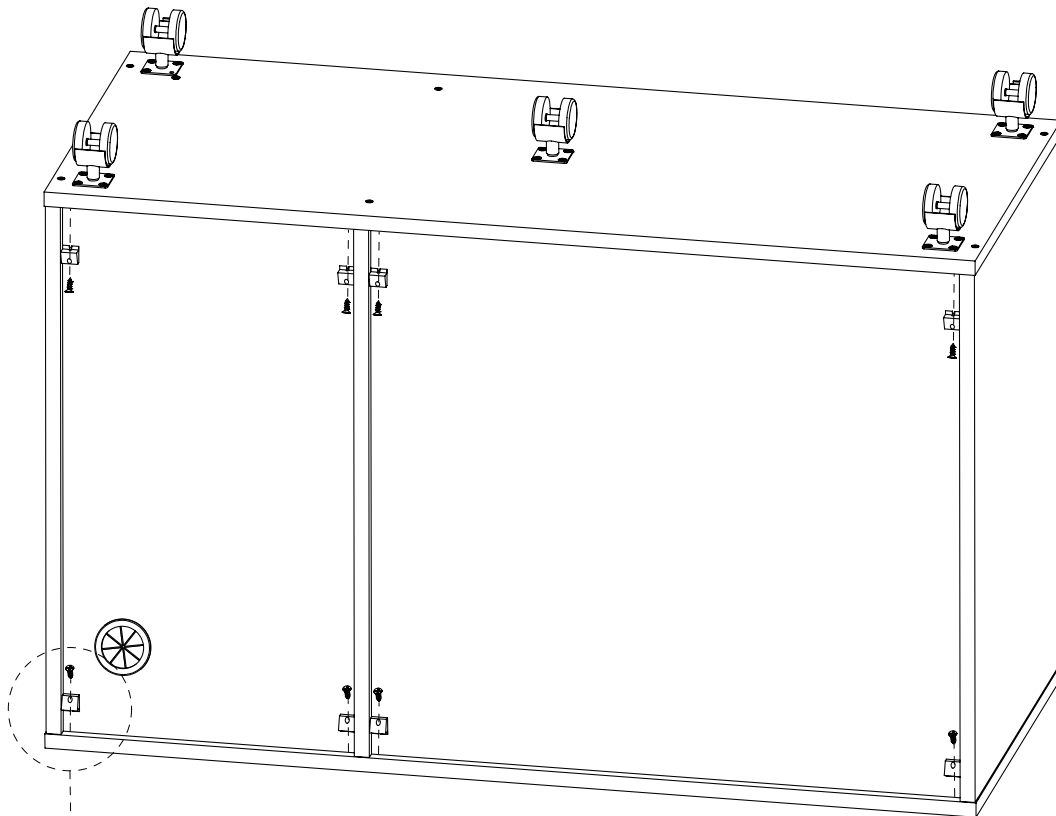
	<b>I</b> X20 M4x14		<b>L</b> X3
			<b>K</b> X2

<b>L</b>		360° Swivel Casters
<b>K</b>		Lockable casters

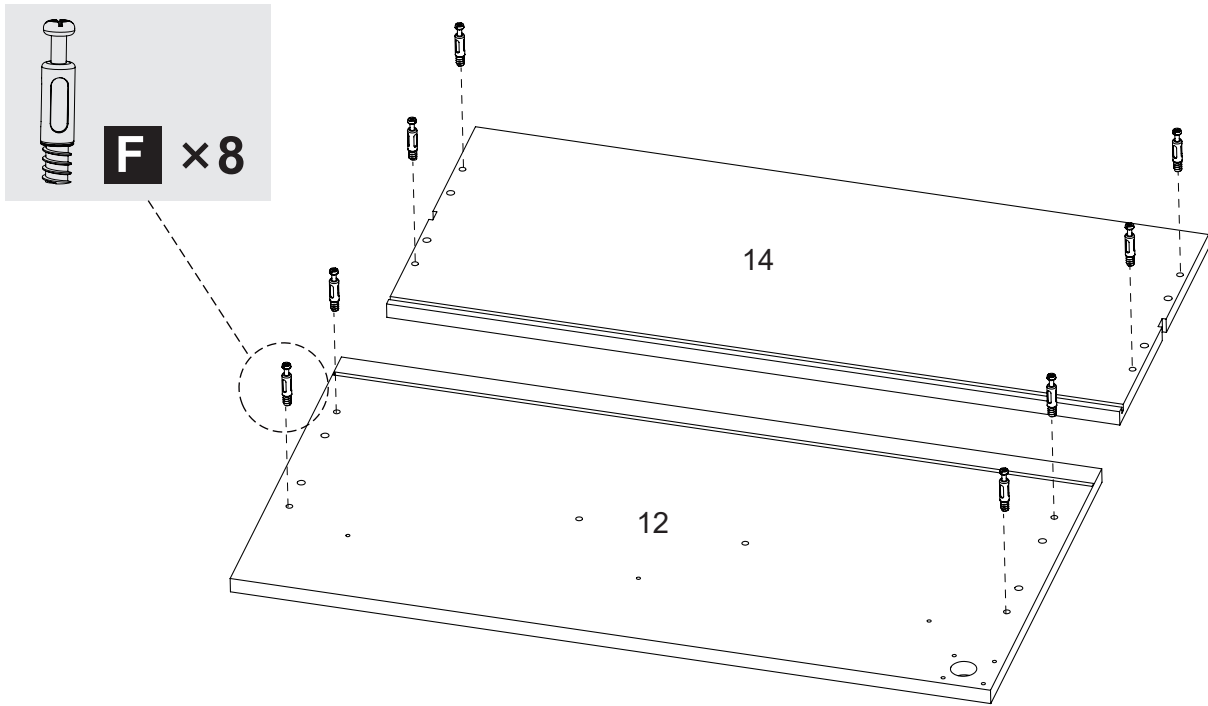
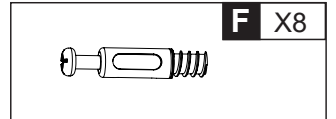


## 11

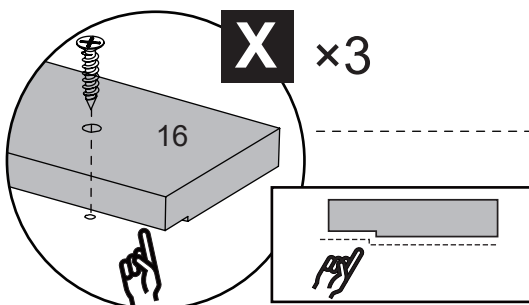
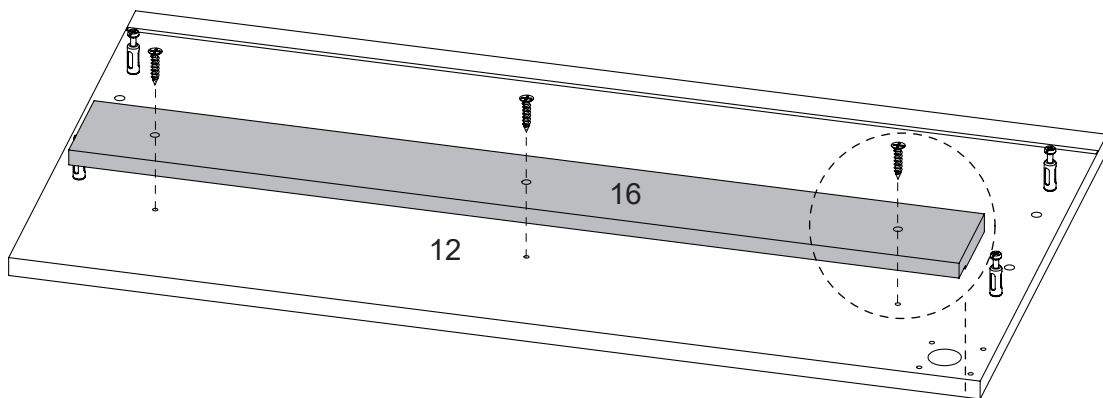
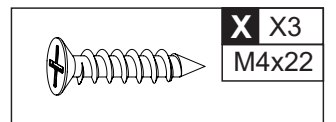
	<b>I</b> X8 M4x14
	<b>T</b> X8



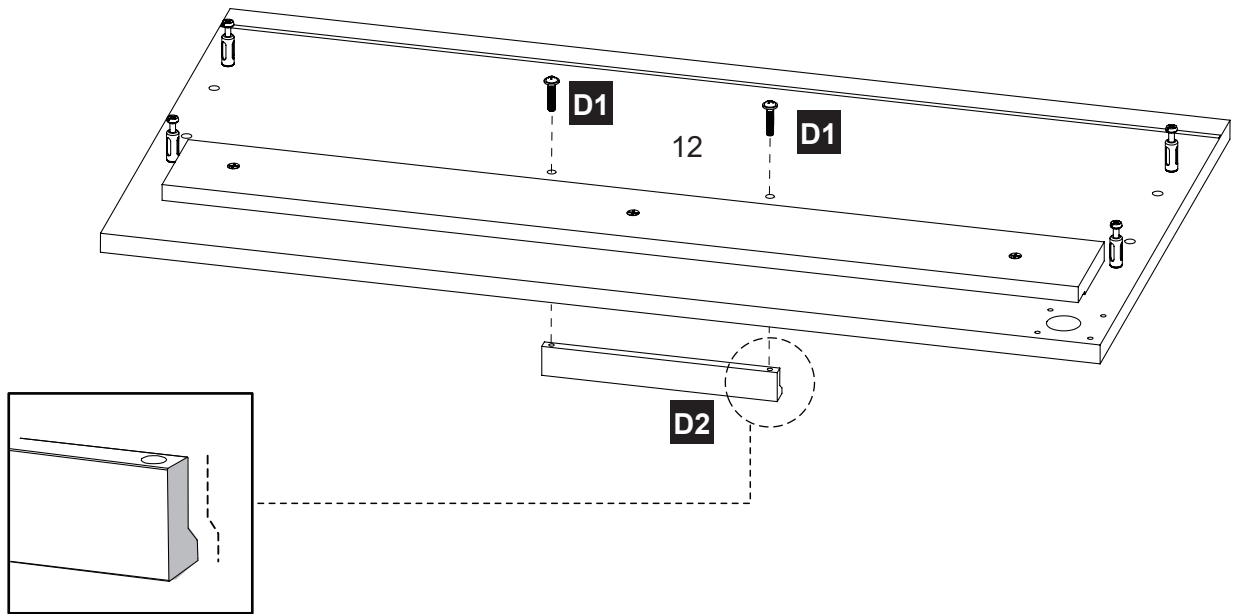
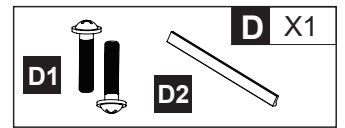
## 12



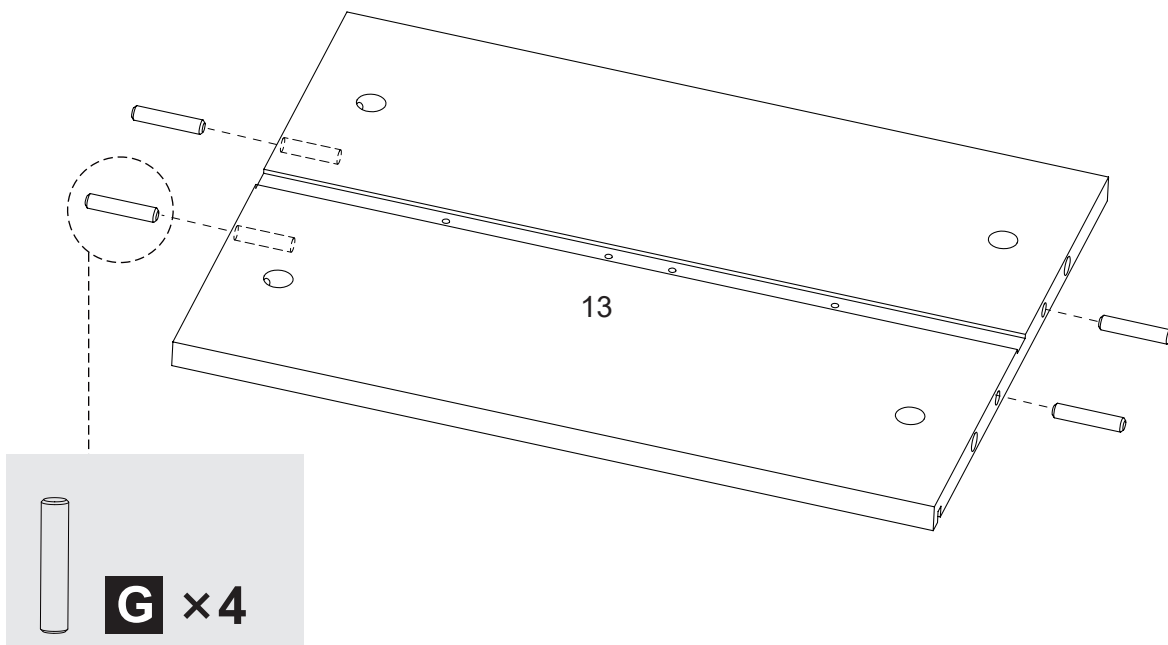
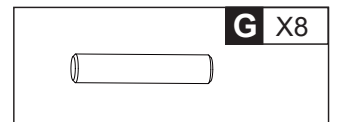
## 13



14




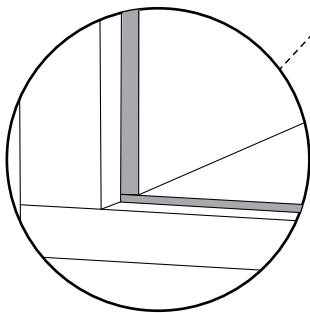
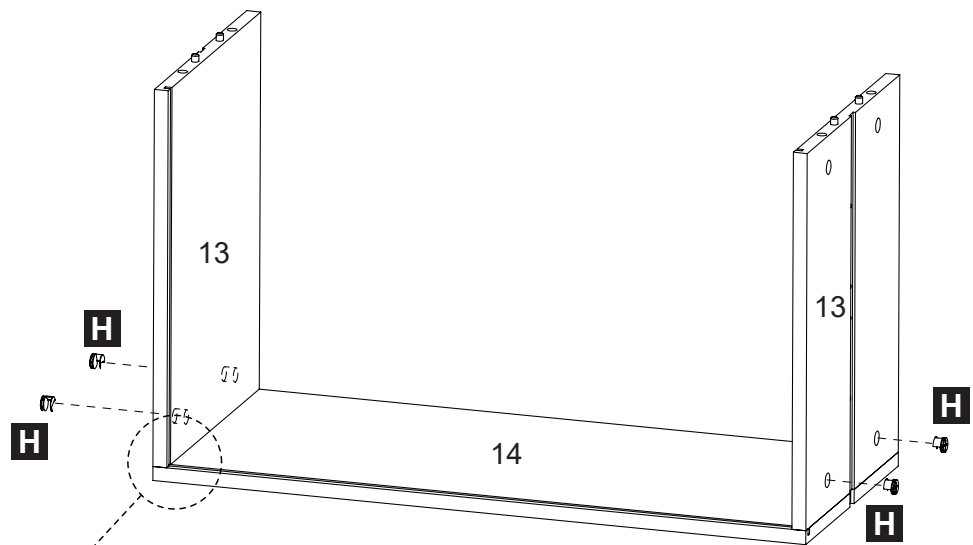
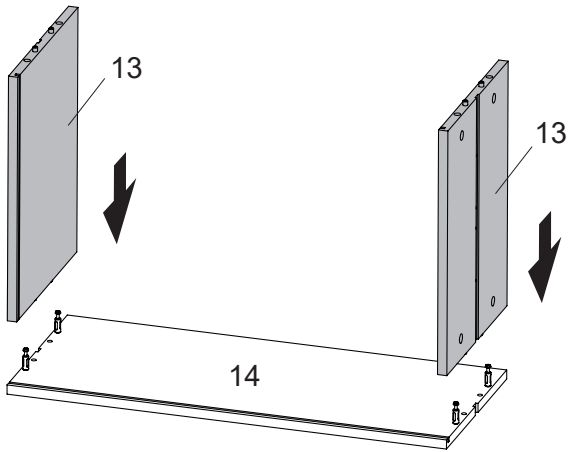
15



x2

## 16

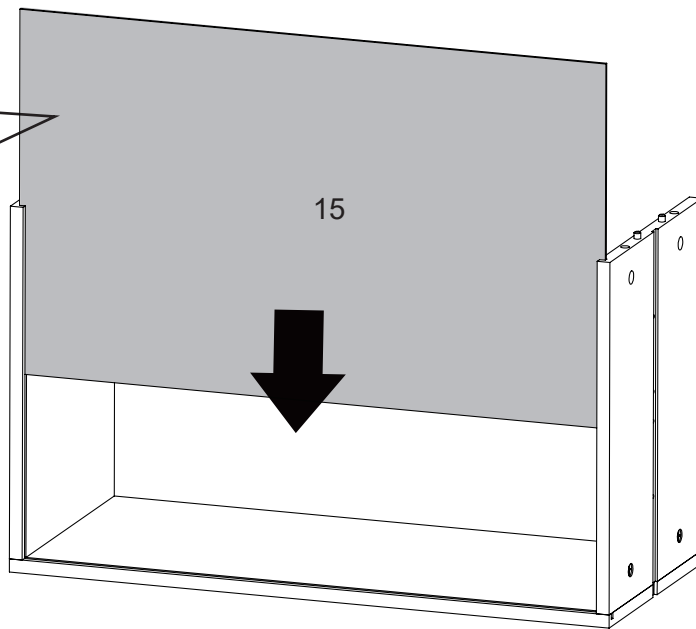
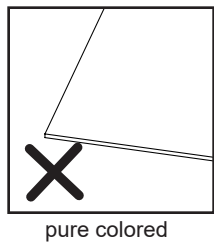
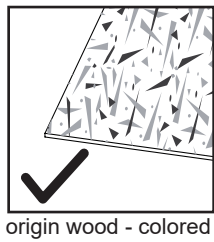
	<b>H</b> X4
	Ø12



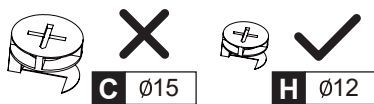
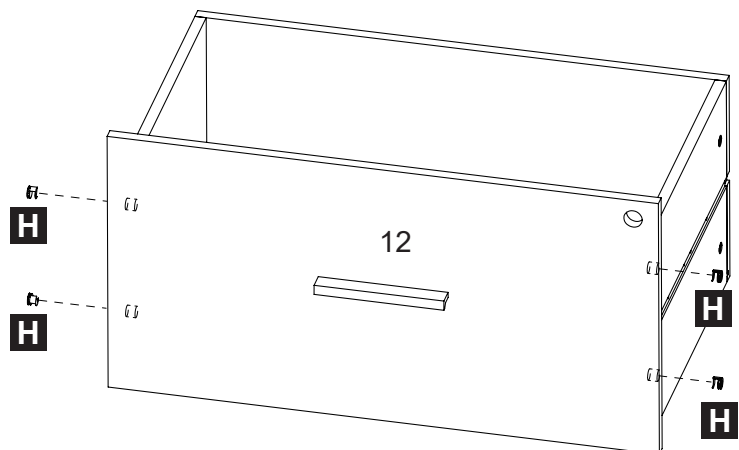
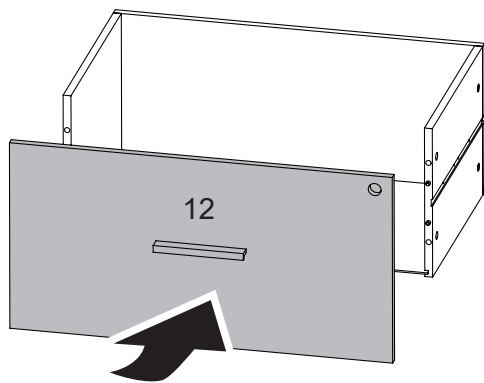
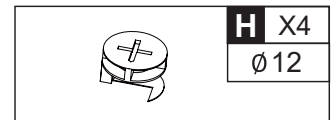
### REMARK

Let the grooves on part **13** be connected to the groove on part **14**.




17

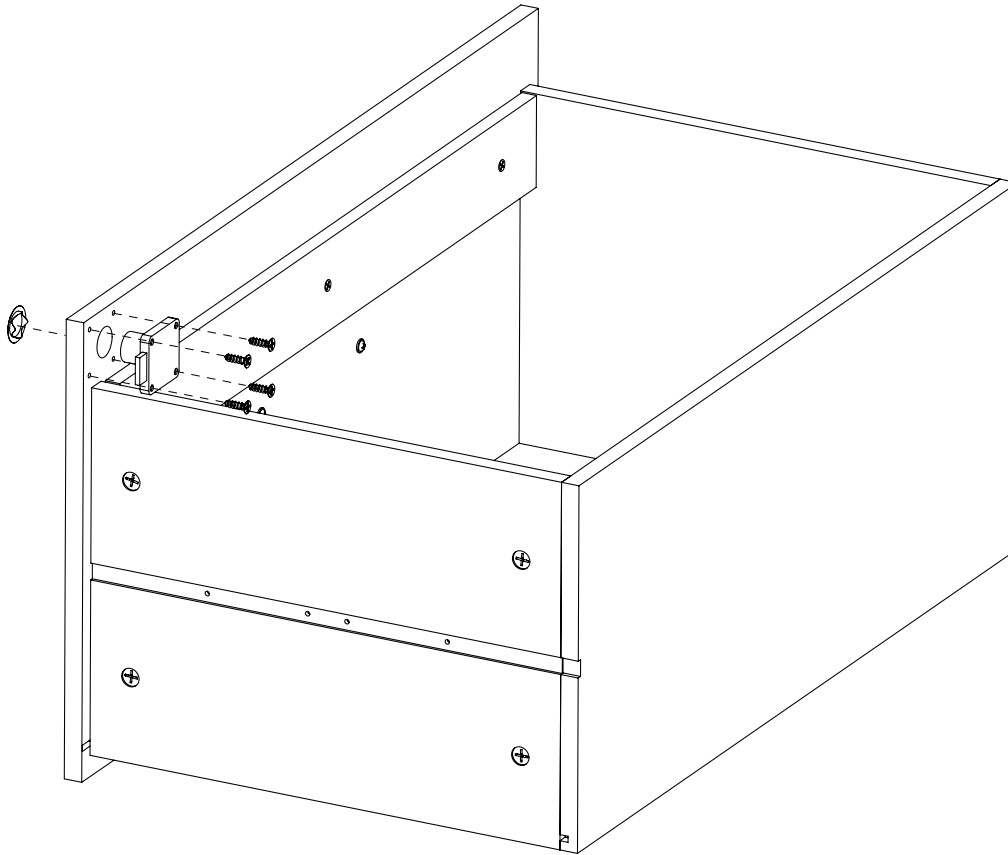


18



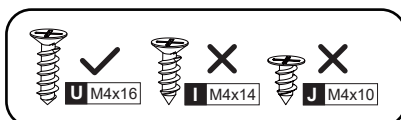
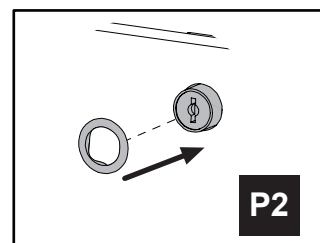
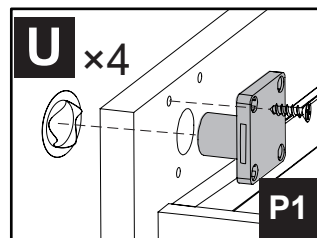
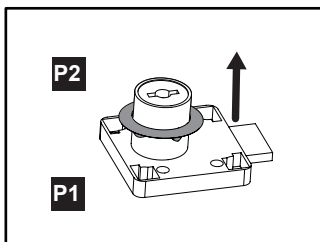
## 19

	<b>U</b> X4 M4x16
 	<b>P</b> X1
<b>P1</b>	<b>P2</b>







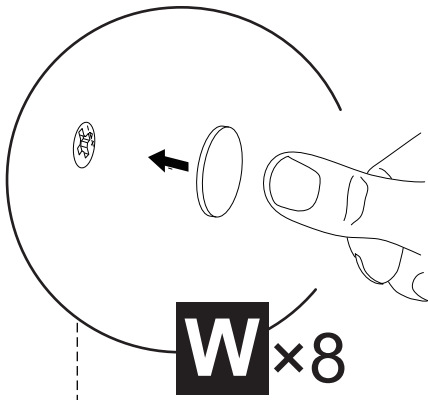
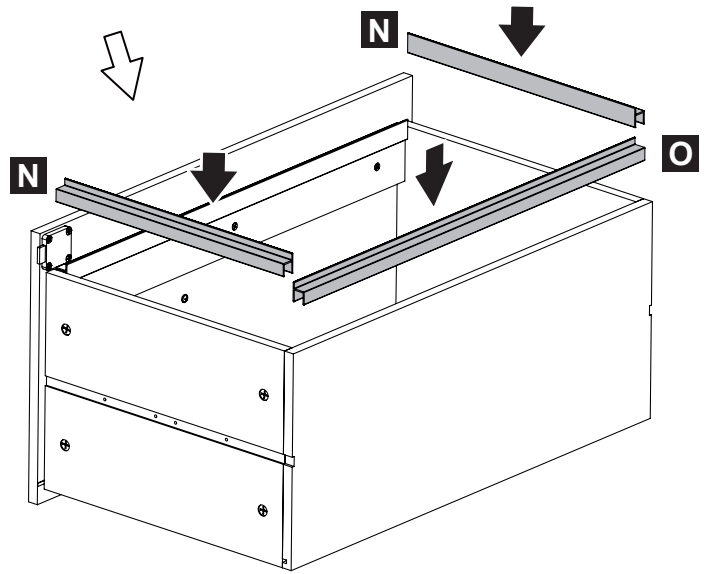
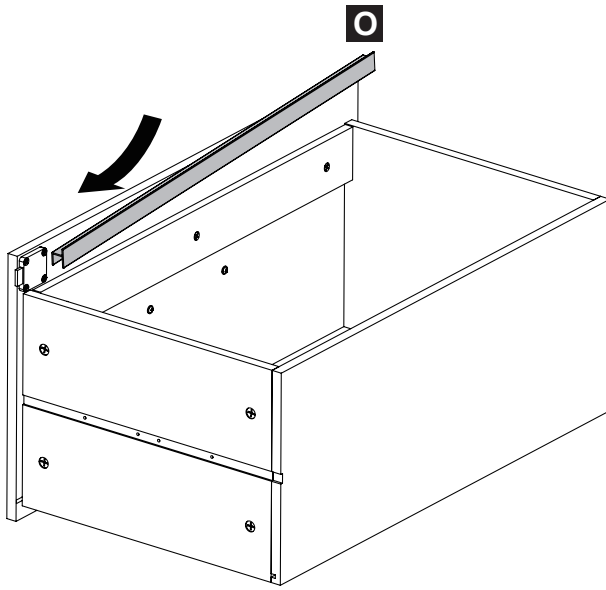
### REMARK

Do not tighten the screws until **P2** is installed.

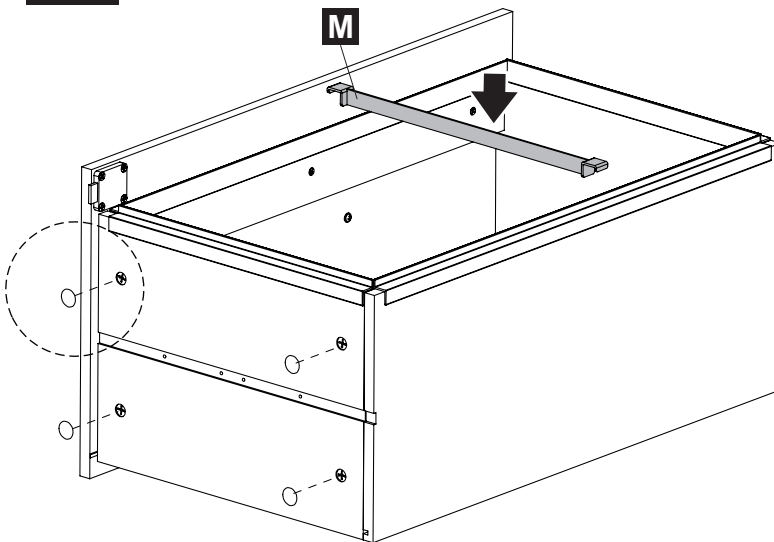


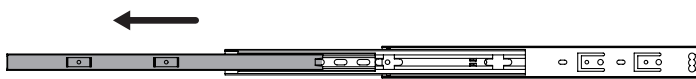
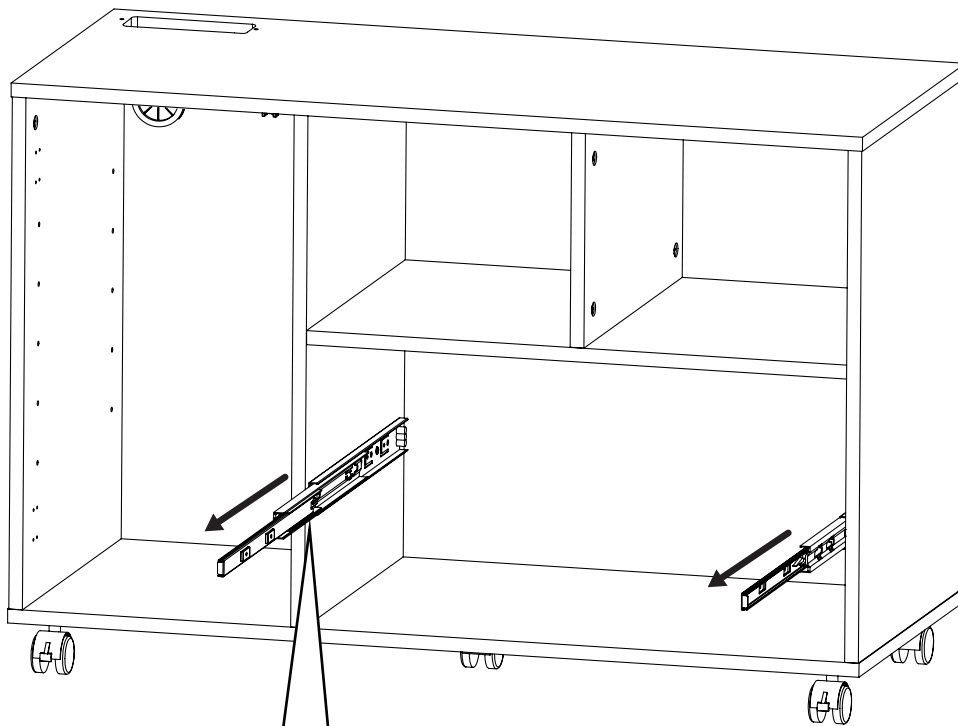
## 20

 <b>M</b> X1	 <b>O</b> X2
 <b>N</b> X2	 <b>W</b> X8



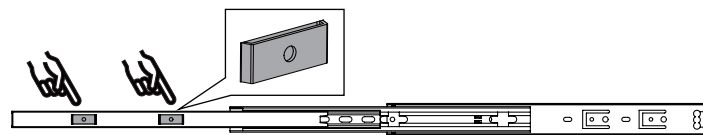
**W** x8





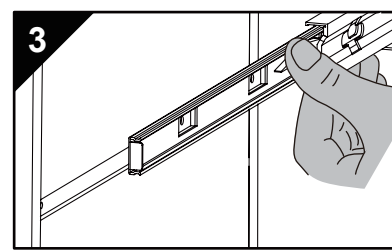
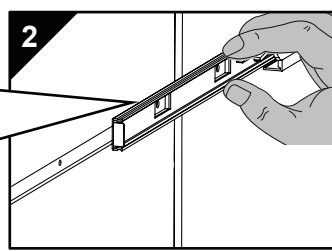
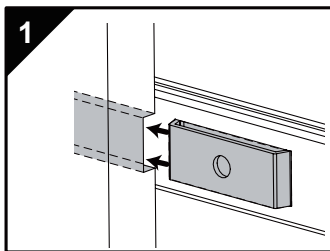
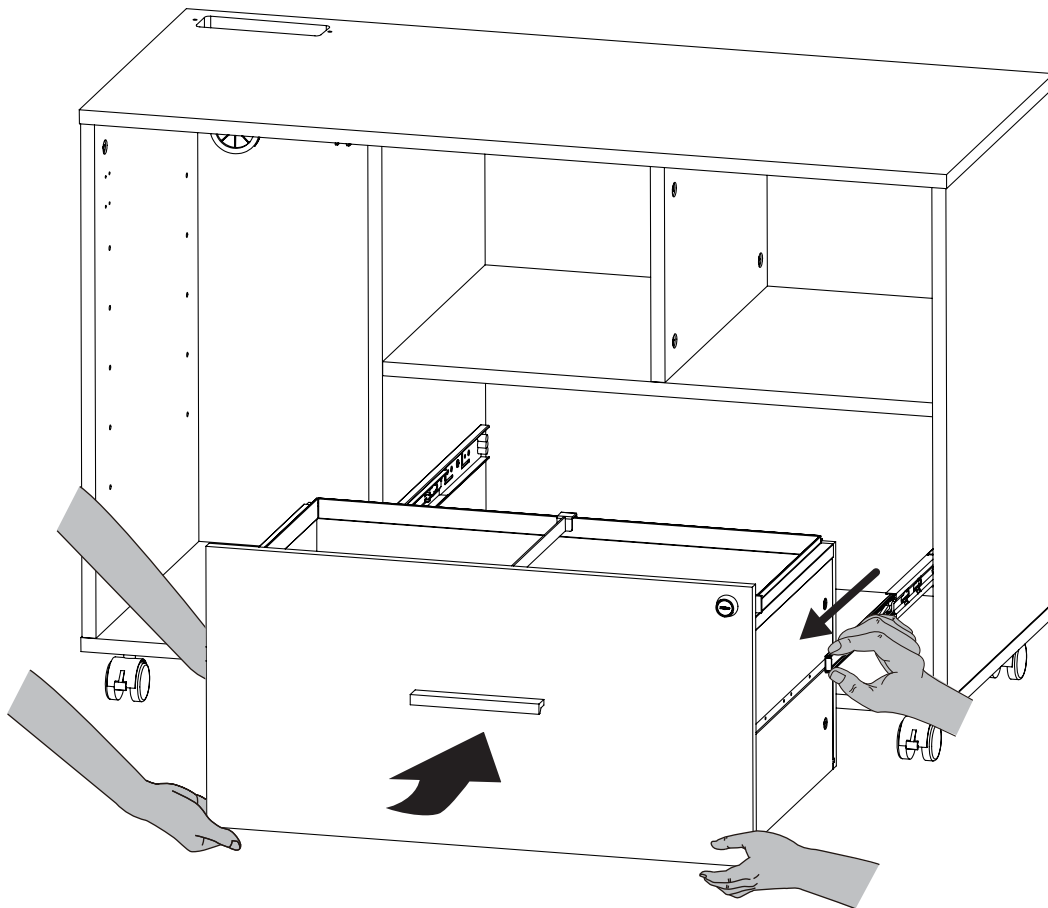
**REMARK**

Pulling the rail out completely.

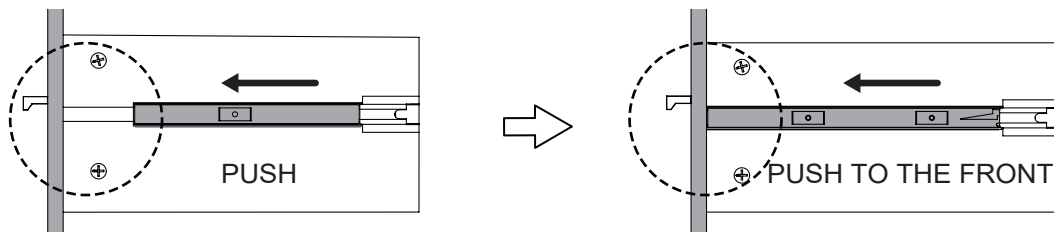
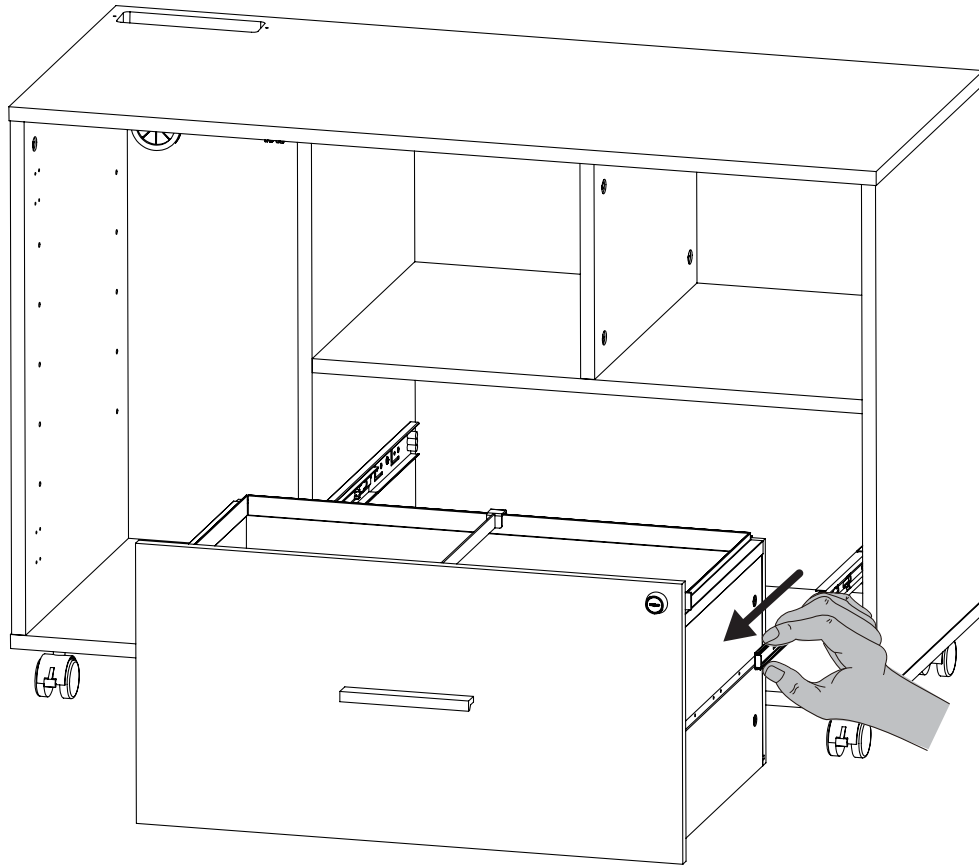


**REMARK**

You can observe 2 **raised sections** on the rail.

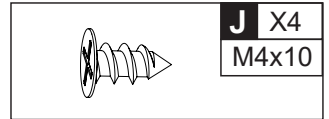
**REMARK**

1. It is recommended to assemble by 2 people.
2. Place the bulges on the guide rail into the groove of the drawer.



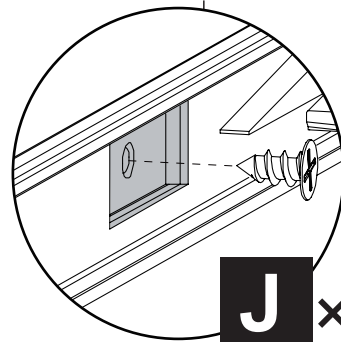
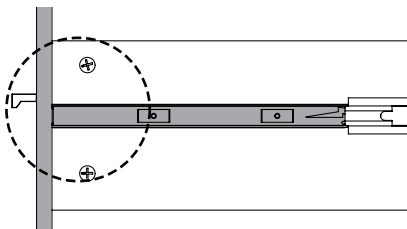
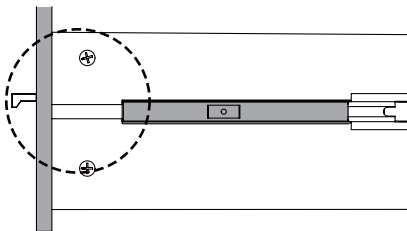
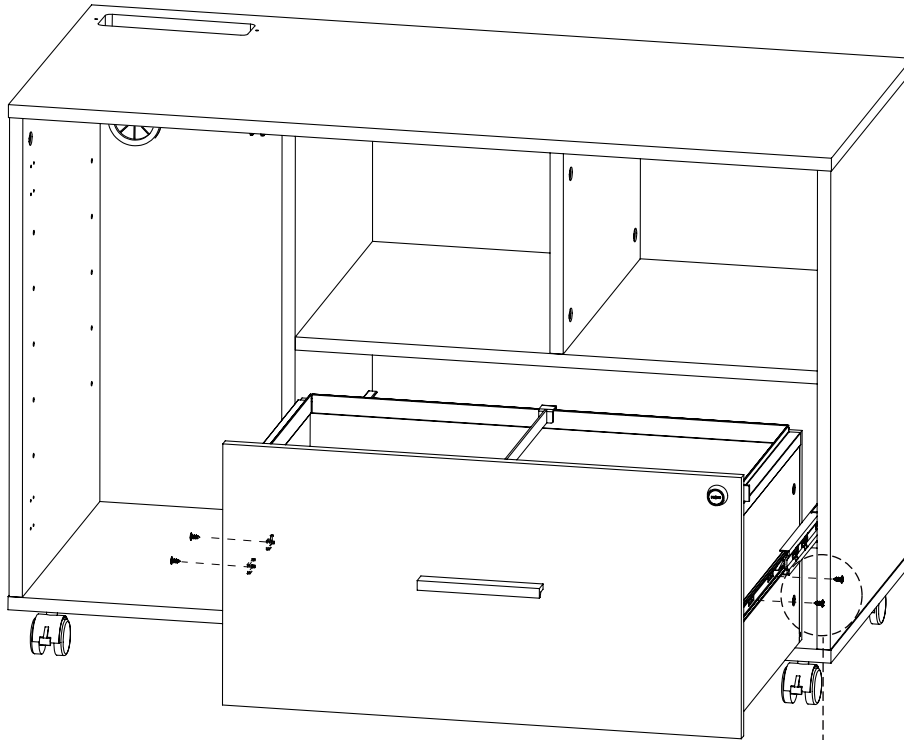
**REMARK**

Please push the guide rails on both sides to the front end.

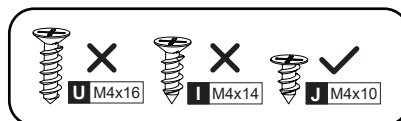


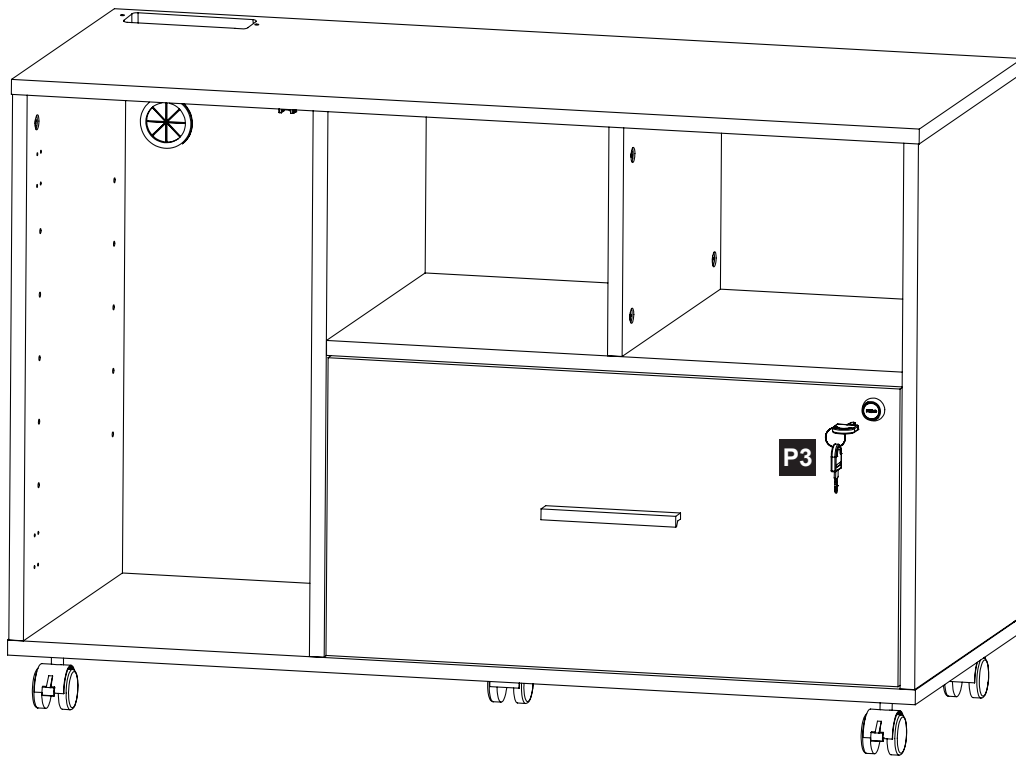
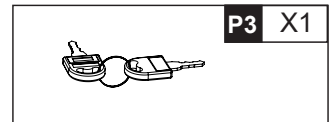
**REMARK**

Please confirm that the guide rails on both sides are at the most forward position before tightening with screws.

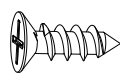
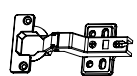



**J** x4



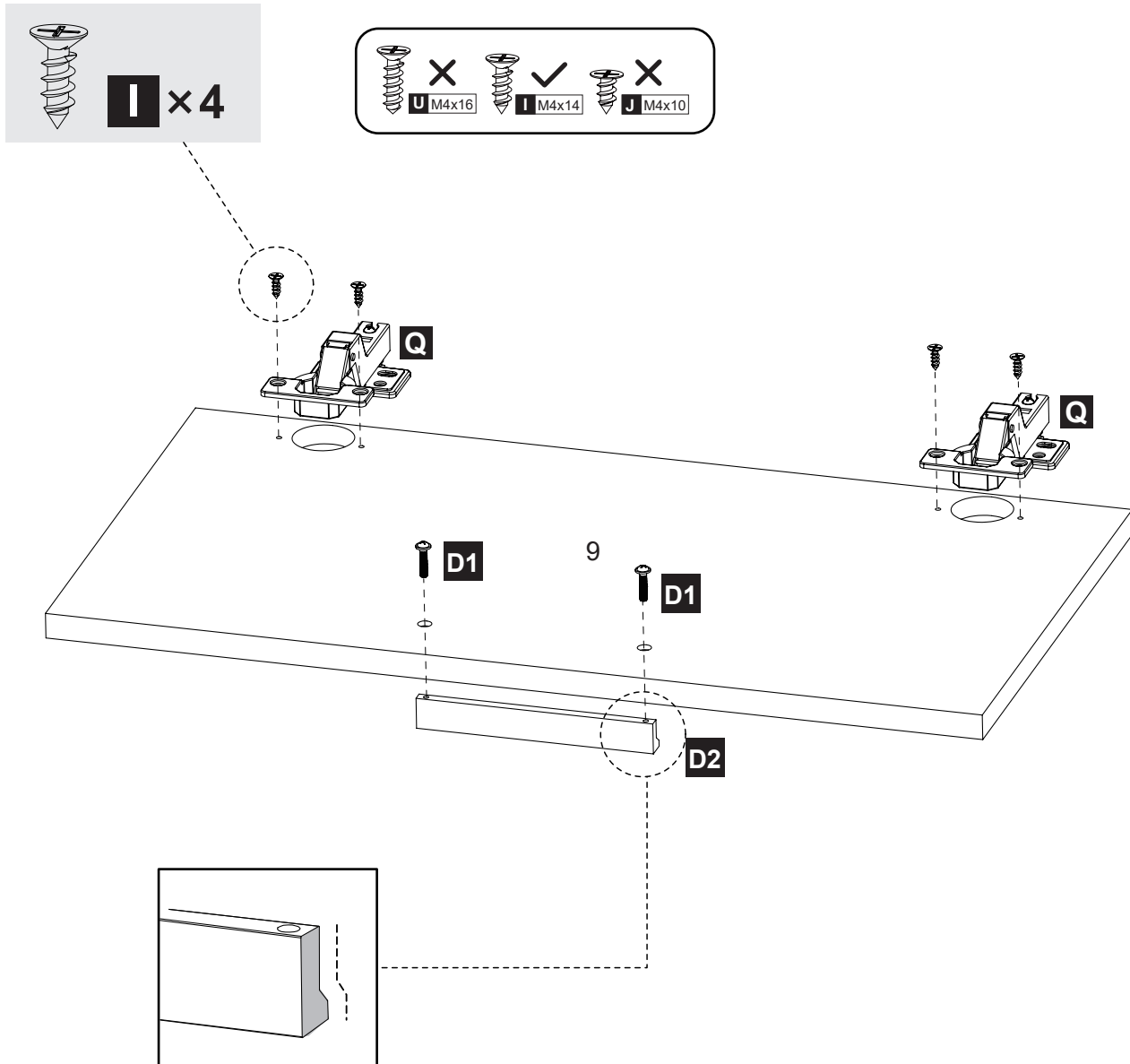


## 26

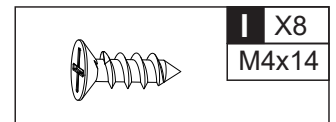
	<b>I</b> X4 M4x14		<b>Q</b> X2
			<b>D</b> X1

### REMARK

Please do not fully tighten screws until all screws are in place.

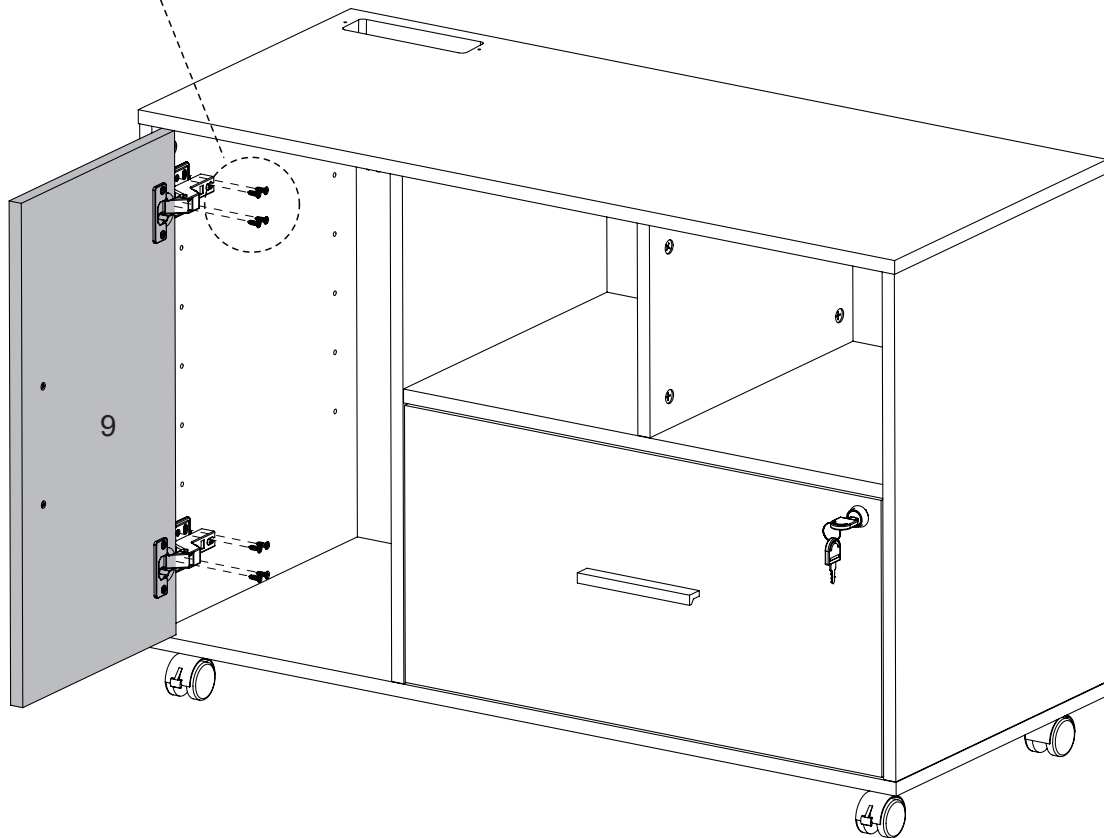
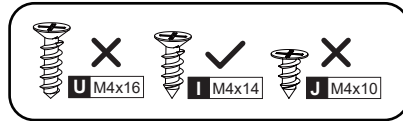
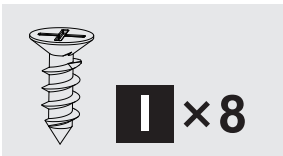


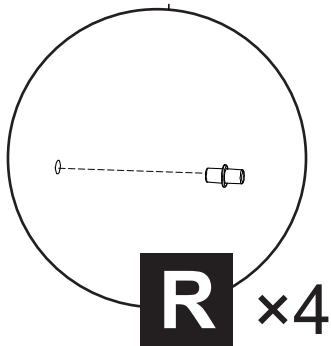
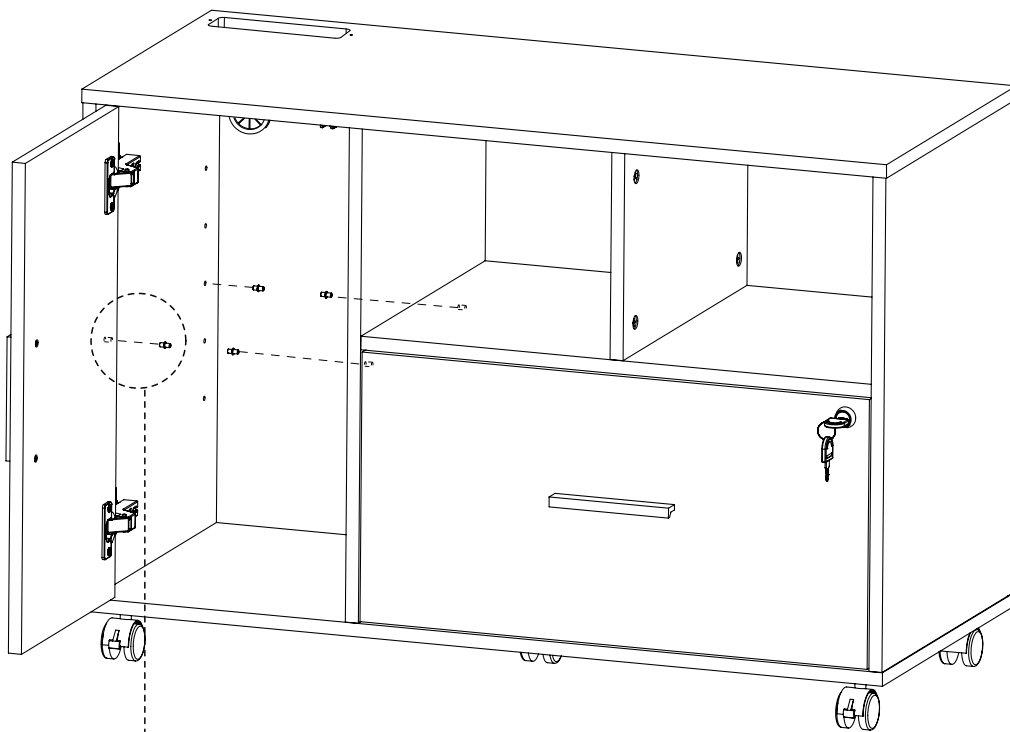
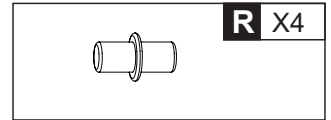
## 27

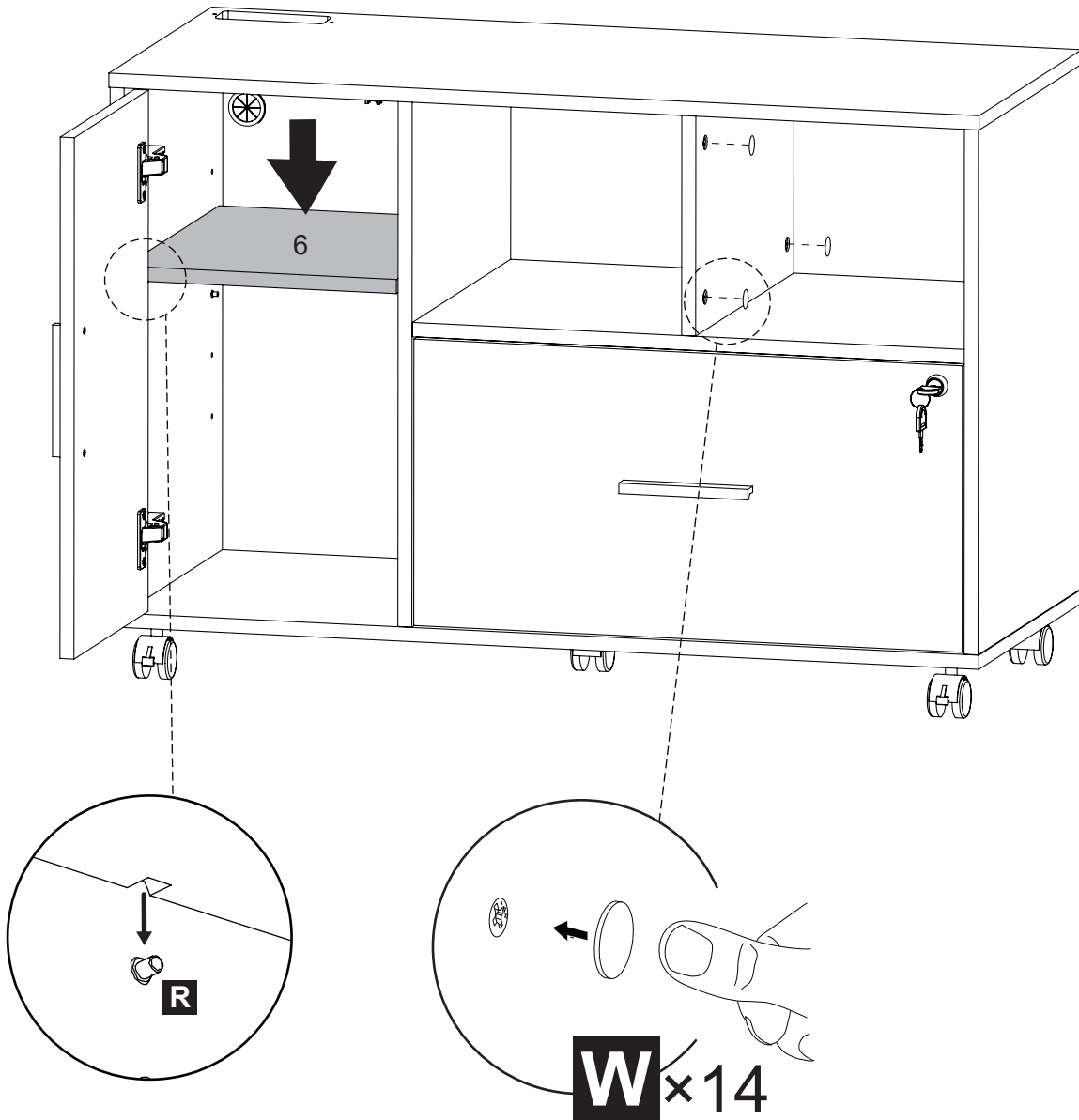
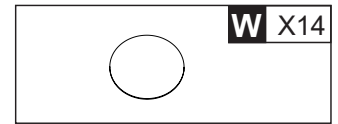


### REMARK

Please do not fully tighten screws until all screws are in place.



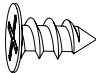
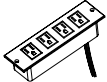


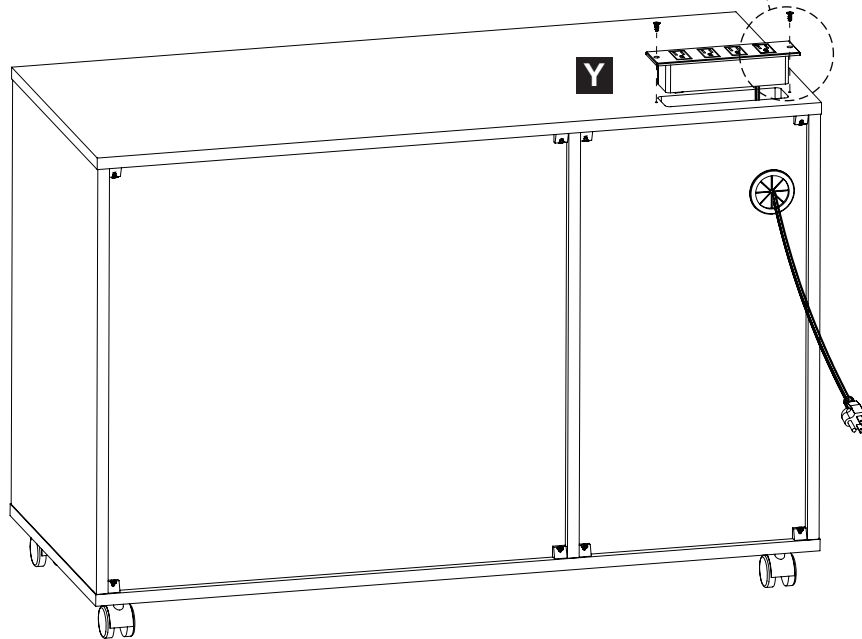
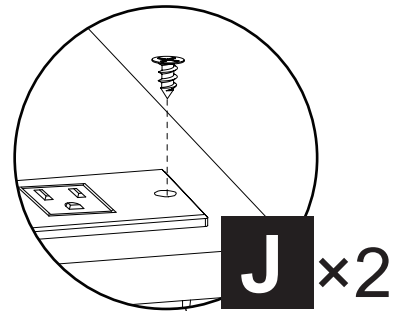
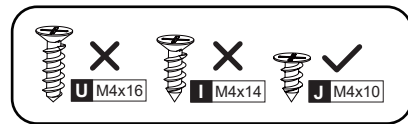
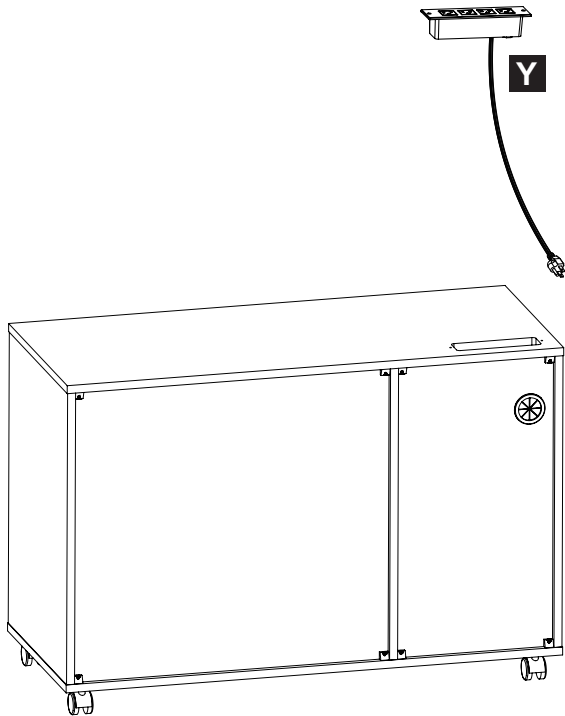


**REMARK**

Please make the groove on board **6** match with the part **R**.

30

	<b>J</b> X2 M4x10
	<b>Y</b> X1

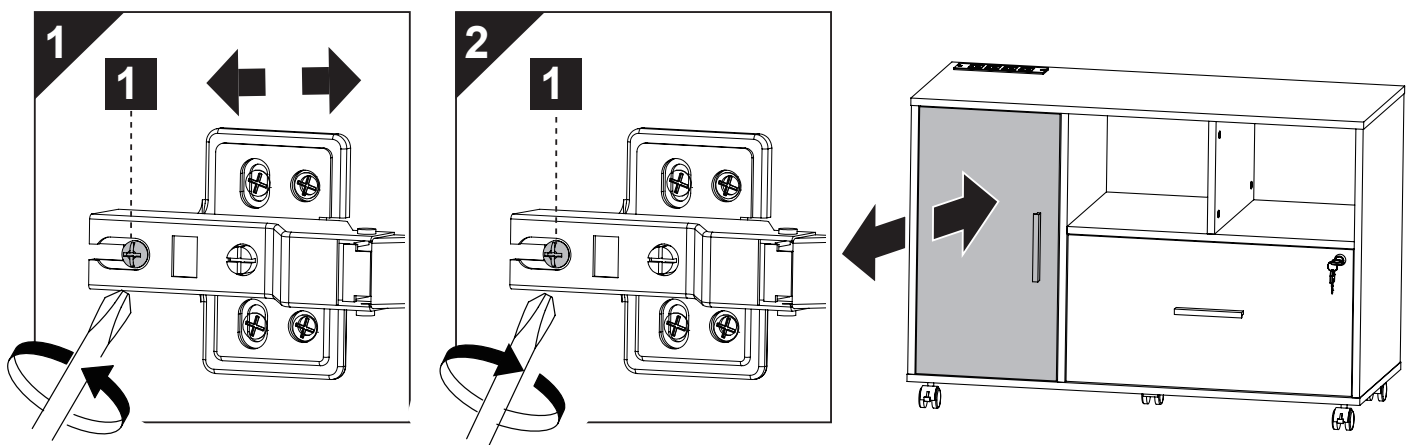


## HINGE ADJUSTMENT

If the door do not appear square or aligned,loosen or tighten the appropriate screws on each case hinge as illustrated.

## DEPTH ADJUSTMENT

Loosen screw **1** ( Do not loose screw **1** to the end), push hinge arm forwards or backwards, re-tighten screw **1**.



## SIDE TO SIDE ADJUSTMENT

Adjust screw **2** to make hinge move left or right to the ideal place.

