

NOTICE

* Please make sure that you have all parts indicated and they are in good condition before you begin assembly of this item. Refer to part list and hardware list below for guidance.

* This item should be assembled on a soft surface to prevent scratching the finish during assembly.

* This item may require periodic tightening.

PREPARATION

* Before beginning assembly of product, make sure all parts are present. Compare parts with part contents list and hardware contents list.

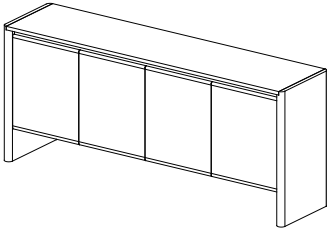
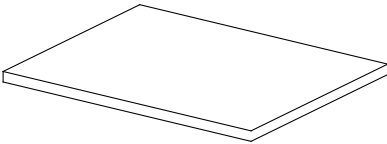
* If any part is missing or damaged, do not attempt to assemble the product.

* Estimated Assembly Time: 10 minutes.

CARE AND MAINTENANCE

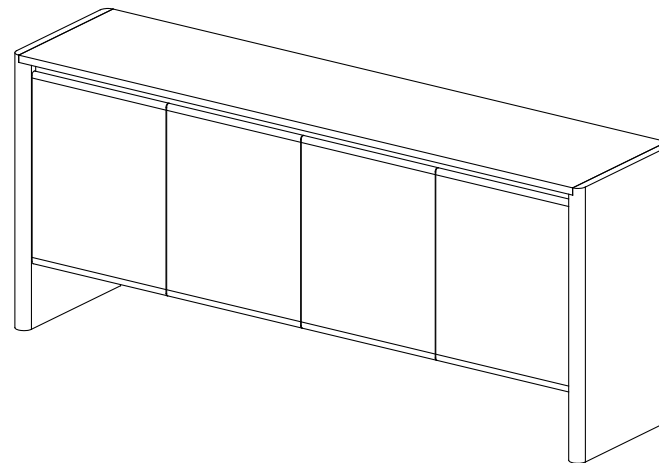
Always use felt pads under all articles to prevent discoloration or softening of the lacquer. Plastic and rubber bases on items can discolor wood. Wipe up spills immediately and avoid common hazards such as hot dishes, harsh solvents, and abrasives. Cleaning should be done with a soft lint free cotton cloth dampened with water.

Part List and Hardware List

| PIECE | DESCRIPTION | PICTURE | QUANTITY |
|--------------|--------------------|--|-----------------|
| A | Top Table |  | 1X |
| B | Shelf |  | 4X |

Model #: SFV7229A

Product Dimensions: 75.0"D x 18.0"W x 31.0 "H



▲ WARNING ▲

Weight capacity - 200LBS

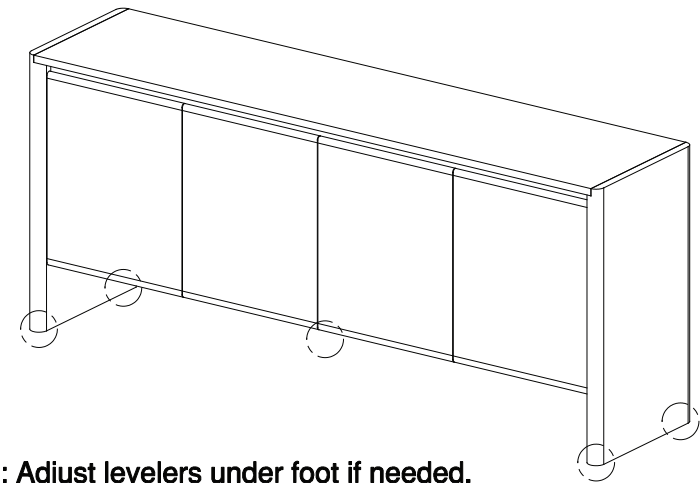
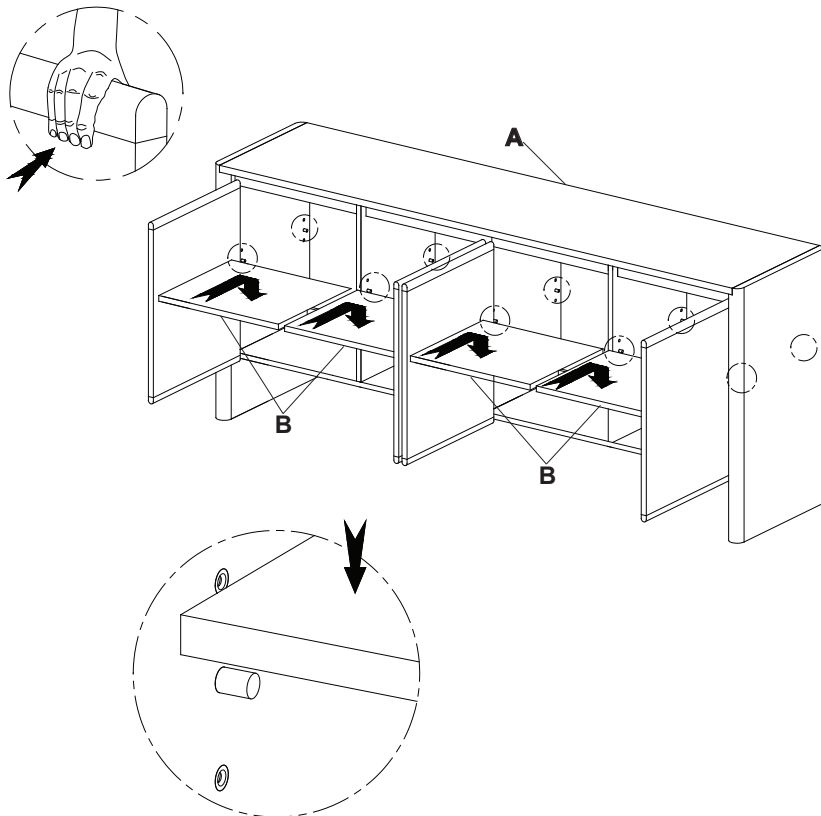
Warning: Do not stand on Table

Warning: Do not over torque bolts

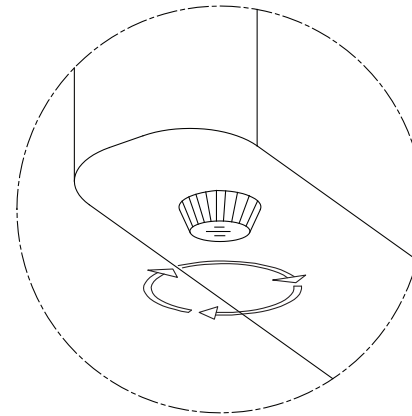
PREPARATION

- * Before beginning assembly of product, make sure all parts are present. Compare parts with part contents list and hardware contents list.
- * If any part is missing or damaged, do not attempt to assemble the product.
- * Estimated Assembly Time: 10 minutes.

(OPEN THE DOORS)



NOTE: Adjust levelers under foot if needed.



STEP1: Push to open door. Next, insert the Shelves (B), making sure each shelf rests evenly on the Shelf Pin as shown.

STEP2: Assembly is now complete and the Product is ready for use.