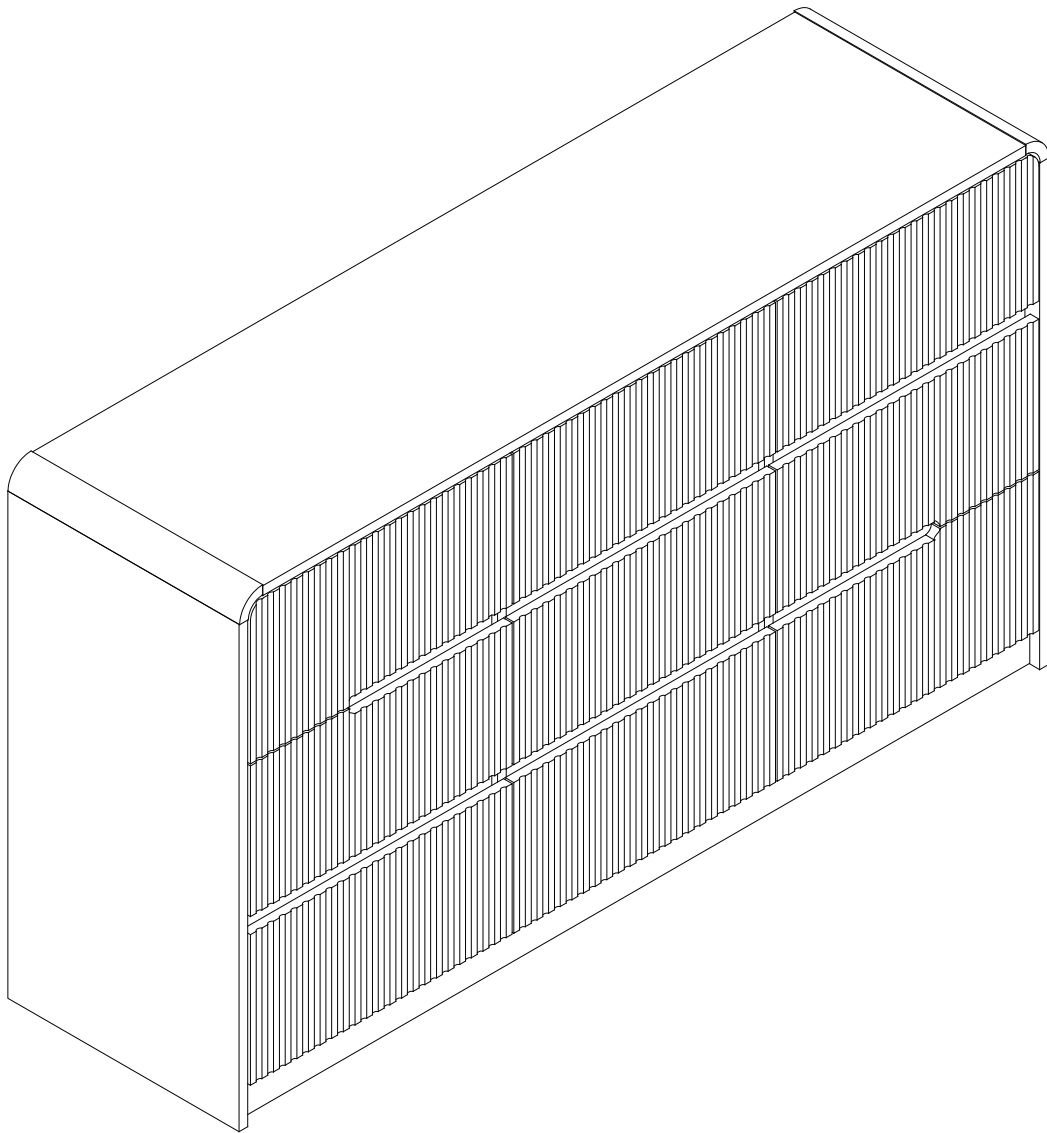


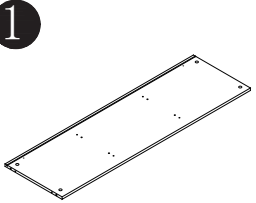
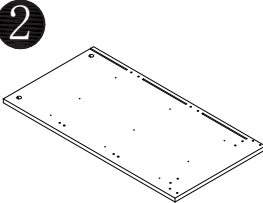
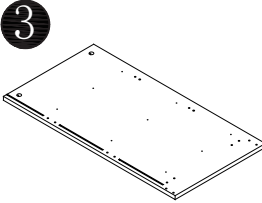
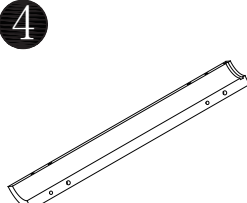
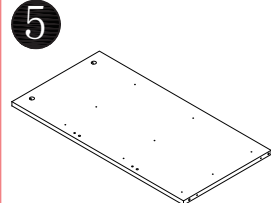
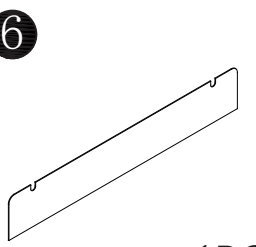
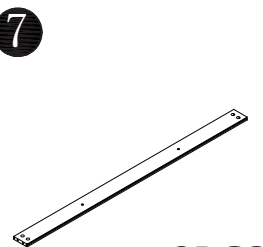
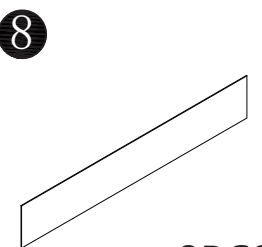
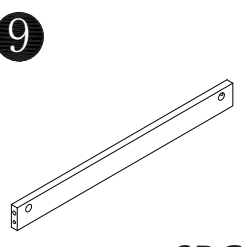
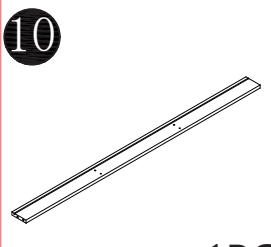
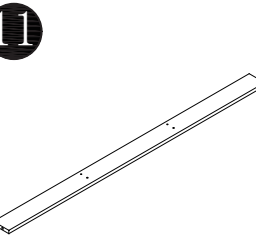
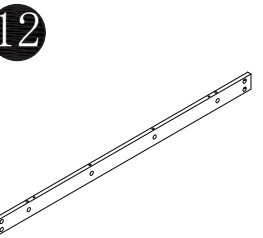
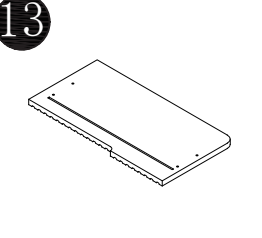
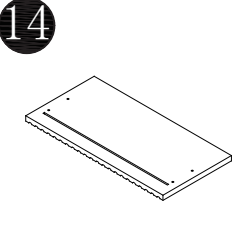
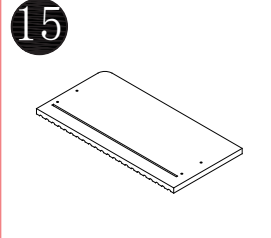
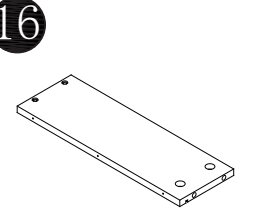
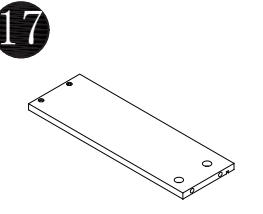
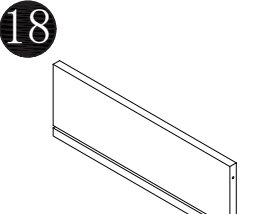
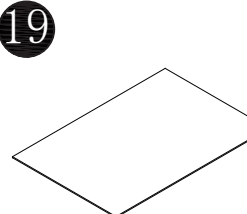
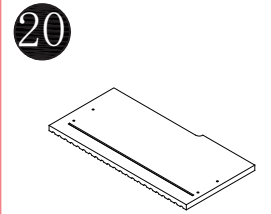
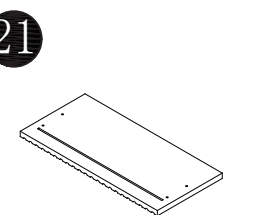
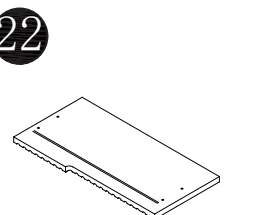
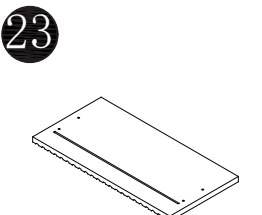
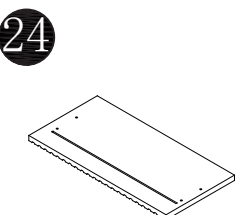
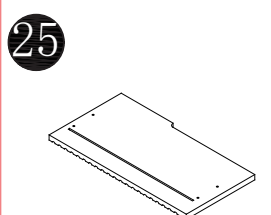
---

# Nine-drawer cabinet

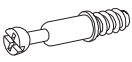
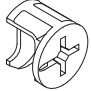
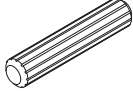
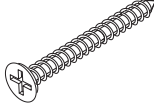
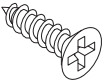
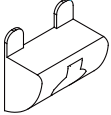
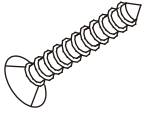




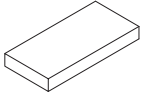
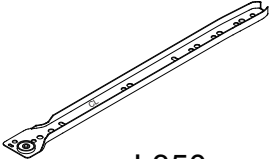
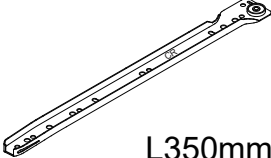
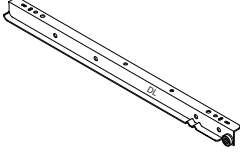
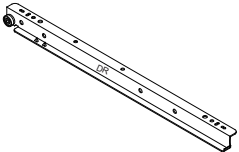
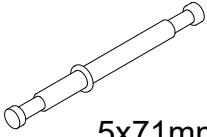
–Instruction Manual–

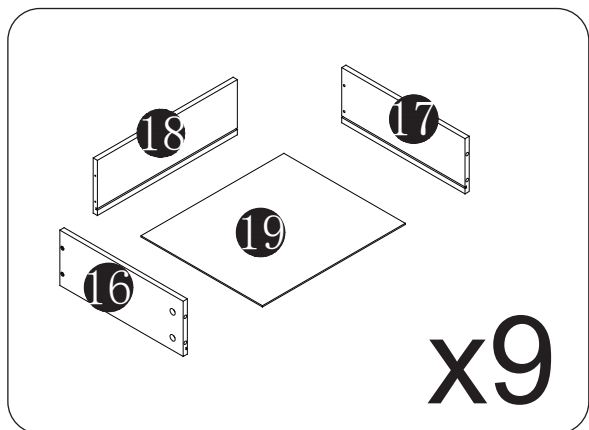
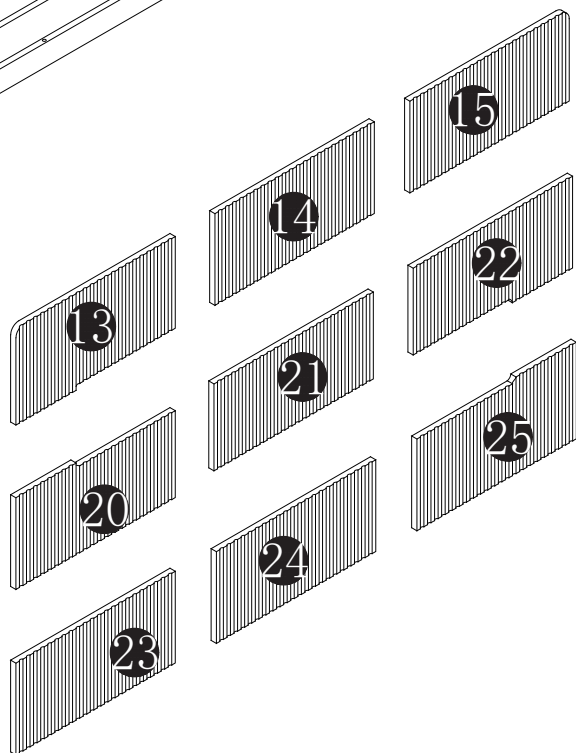
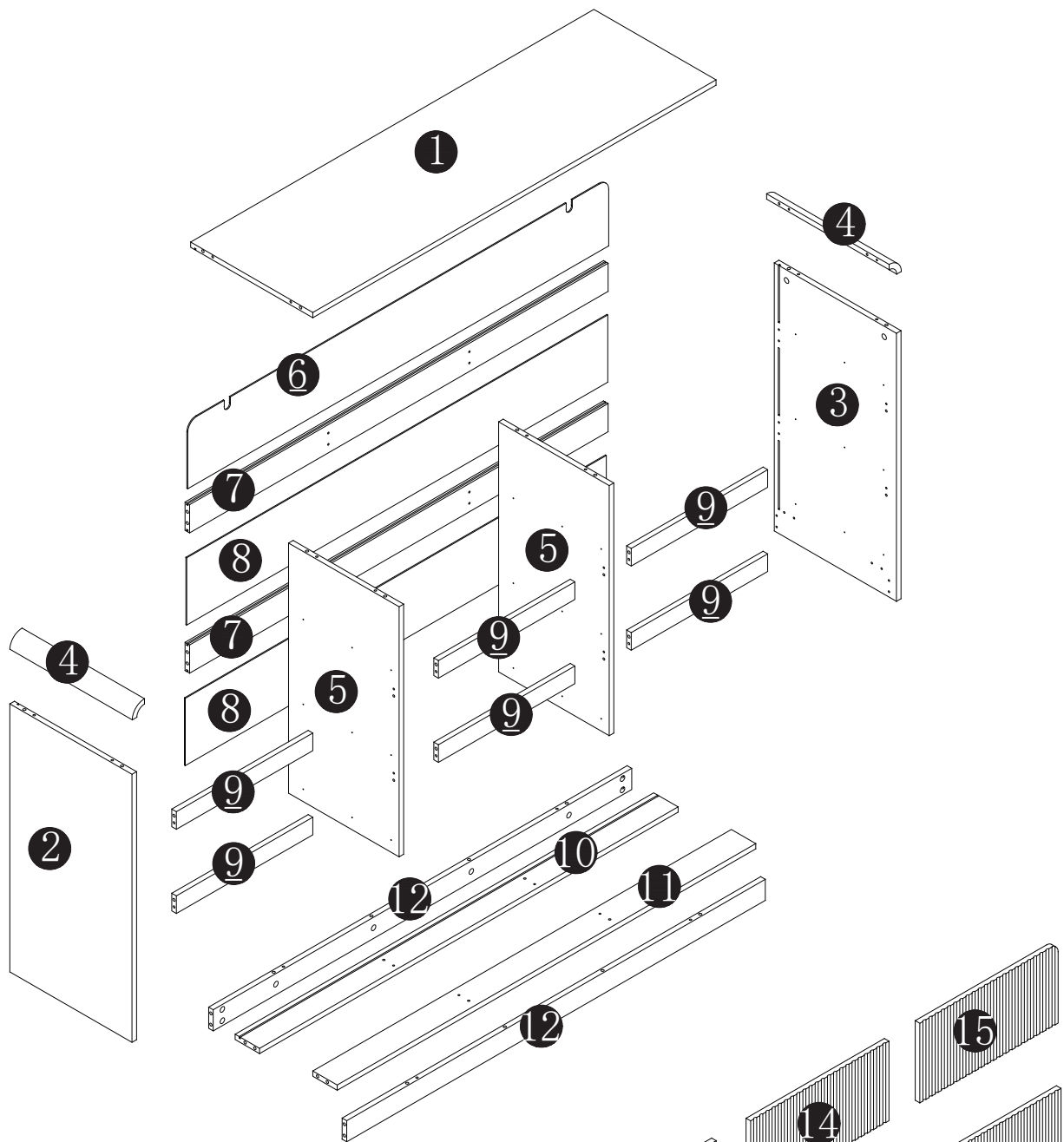


# HARDWARE LIST

 <p>1 1PC</p>	 <p>2 1PC</p>	 <p>3 1PC</p>	 <p>4 2PCS</p>	 <p>5 2PCS</p>
 <p>6 1PC</p>	 <p>7 2PCS</p>	 <p>8 2PCS</p>	 <p>9 6PCS</p>	 <p>10 1PC</p>
 <p>11 1PC</p>	 <p>12 2PCS</p>	 <p>13 1PC</p>	 <p>14 1PC</p>	 <p>15 1PC</p>
 <p>16 9PCS</p>	 <p>17 9PCS</p>	 <p>18 9PCS</p>	 <p>19 9PCS</p>	 <p>20 1PC</p>
 <p>21 1PC</p>	 <p>22 1PC</p>	 <p>23 1PC</p>	 <p>24 1PC</p>	 <p>25 1PC</p>

# HARDWARE LIST

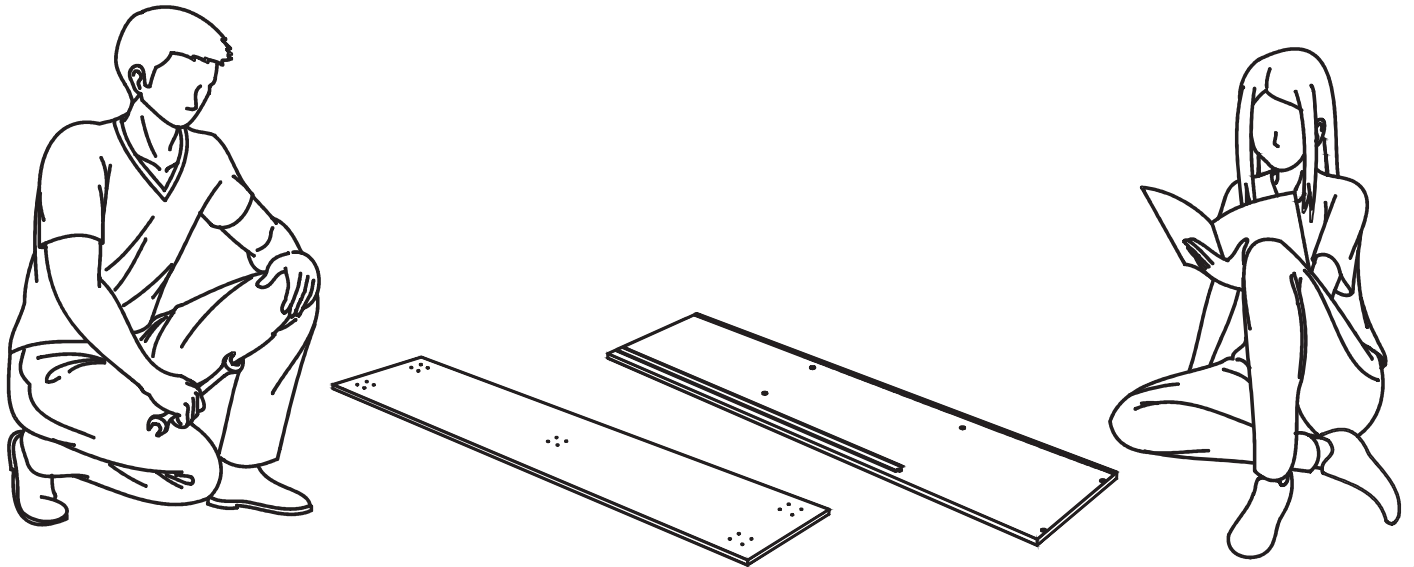
<p><b>A</b></p>  <p>6x35mm 84(+3)PCS</p>	<p><b>B</b></p>  <p>15x9.5mm 92(+3)PCS</p>	<p><b>C</b></p>  <p>6x30mm 32(+1)PCS</p>	<p><b>D</b></p>  <p>M4x40mm 48(+1)PCS</p>	<p><b>E</b></p>  <p>M3x12mm 108(+5)PCS</p>
<p><b>F</b></p>  <p>+</p>  <p>M3x16mm 14 PCS</p>		<p><b>G</b></p> <p>73x25mm    30x8mm    M4x12mm    M4x40mm</p>  <p><b>G1</b></p> <p>+</p>  <p><b>G2</b></p> <p>+</p>  <p><b>G3</b></p> <p>+</p>  <p><b>G4</b></p> <p>2PC</p>		
<p><b>H</b></p>  <p>25x12x3mm 8PCS</p>	<p><b>CL</b></p>  <p>L350mm 9PCS</p>	<p><b>CR</b></p>  <p>L350mm 9PCS</p>	<p><b>DL</b></p>  <p>L350mm 9PCS</p>	<p><b>DR</b></p>  <p>L350mm 9PCS</p>
<p><b>I</b></p>  <p>5x71mm 4PCS</p>				



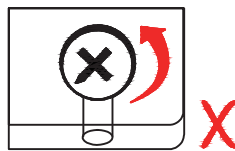
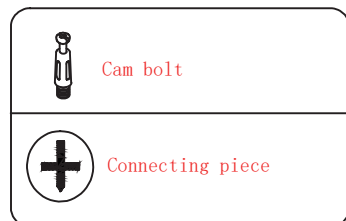
# Tips

This furniture requires 2 people to assemble.

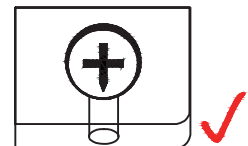
Make sure no parts missing or damaged before assembly.



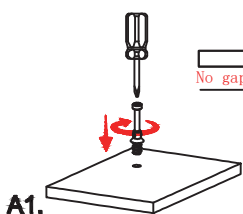
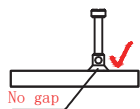
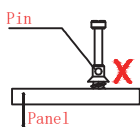
## CAM BOLT INSTALLATION AS BELOW



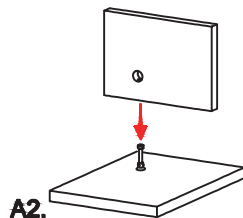
Rotate connecting piece if found in position illustrated above



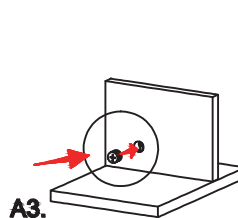
Correct orientation to receive bolts



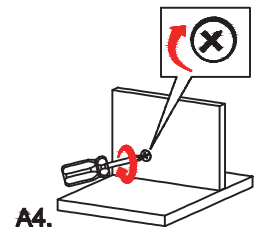
A1.



A2.



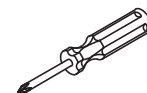
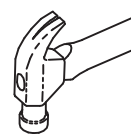
A3.



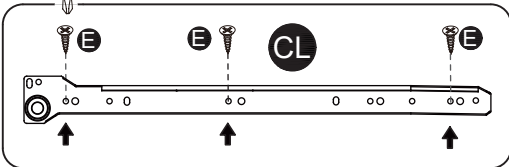
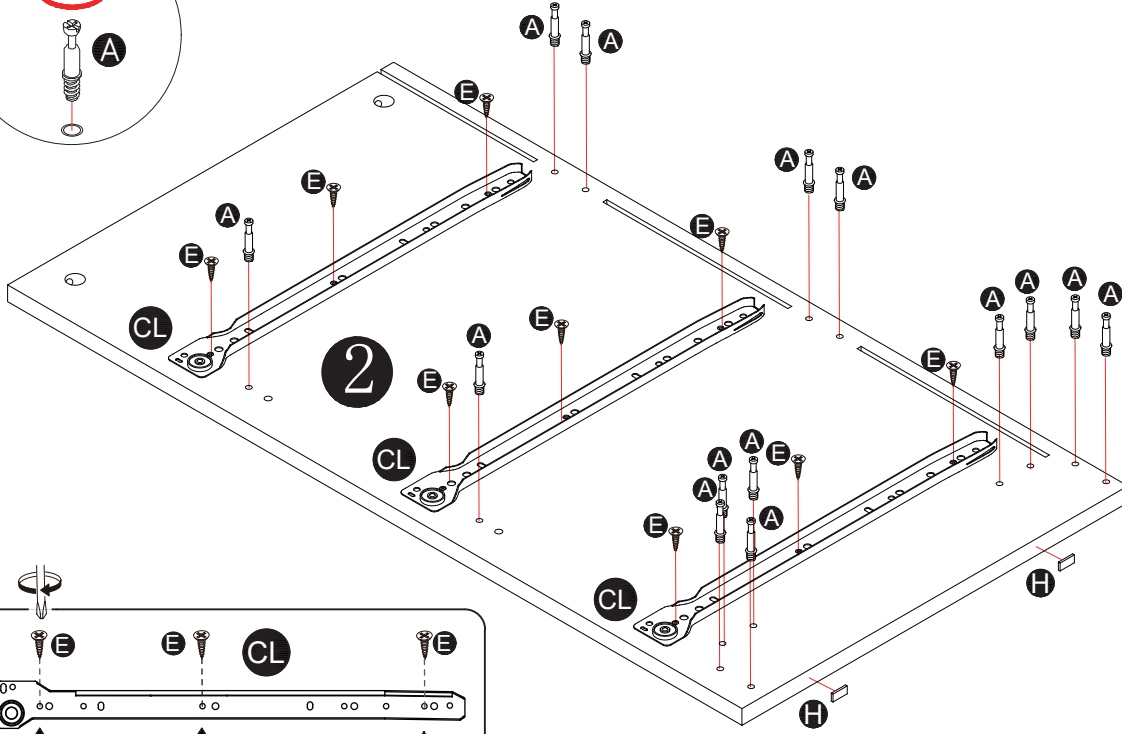
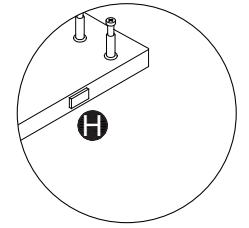
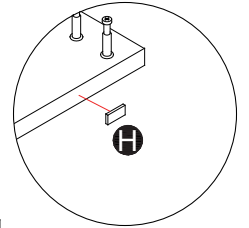
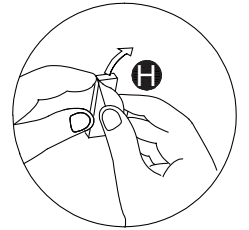
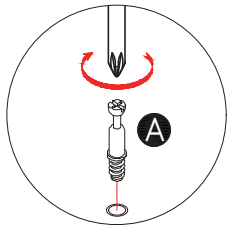
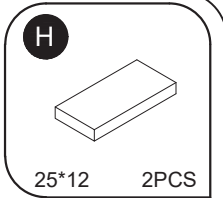
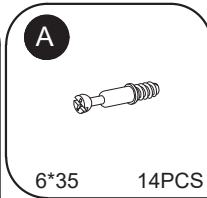
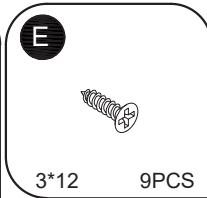
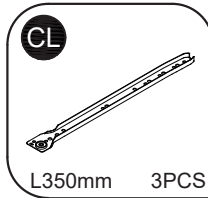
A4.

CAUTION: Please confirm the parts list before installation

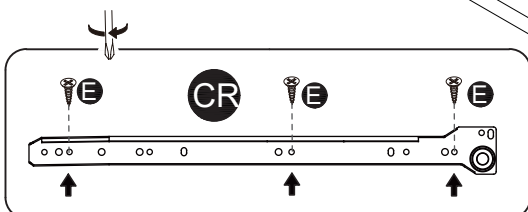
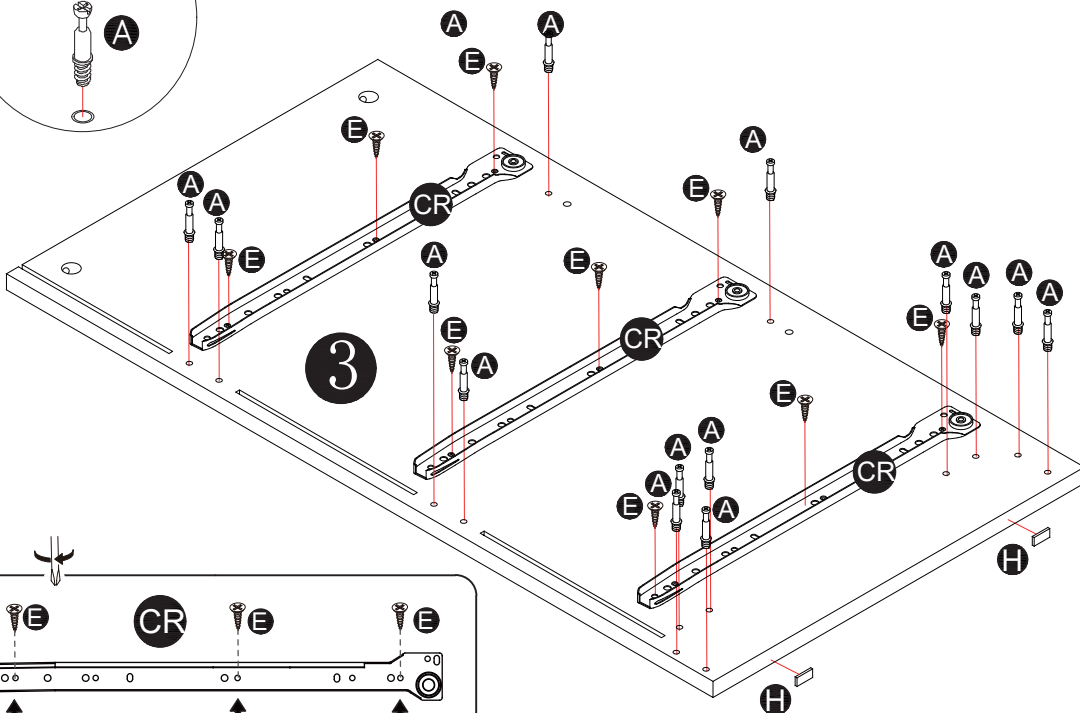
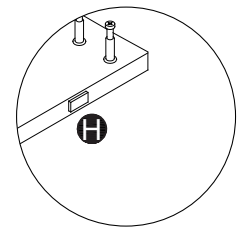
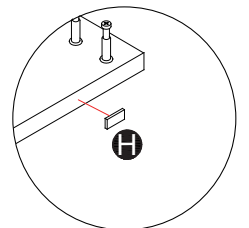
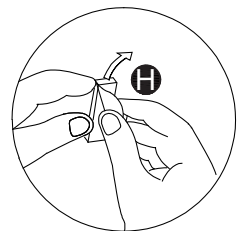
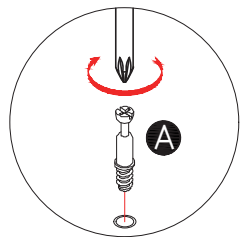
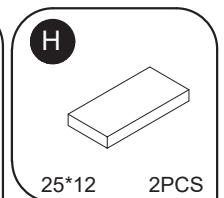
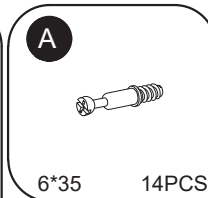
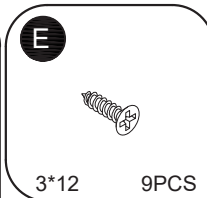
YOU MAY NEED (NOT SUPPLIED)



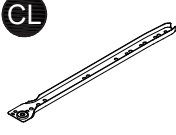
# Step:1




# Step:2

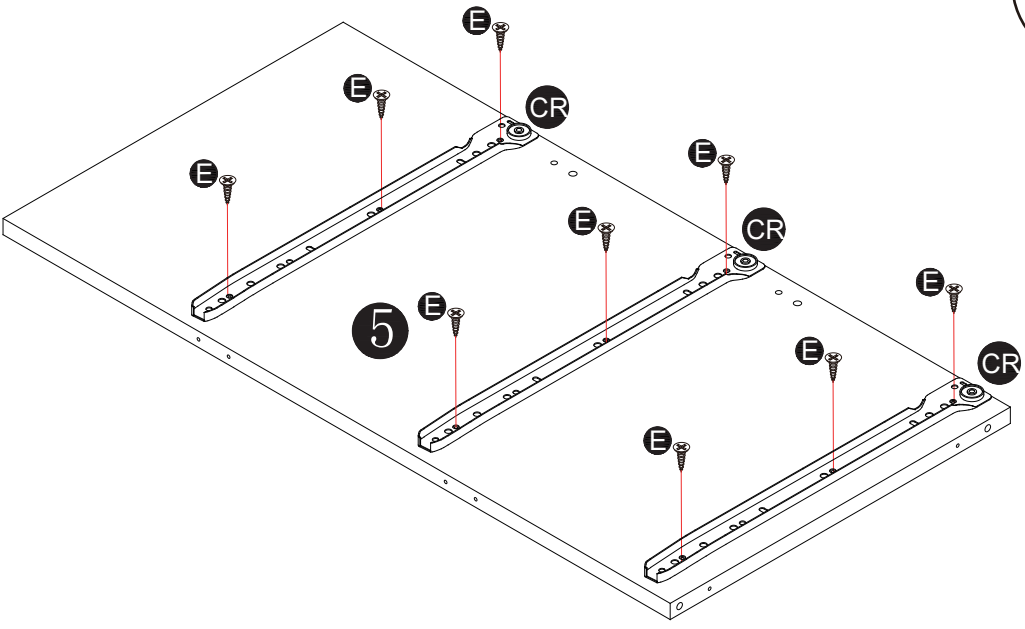
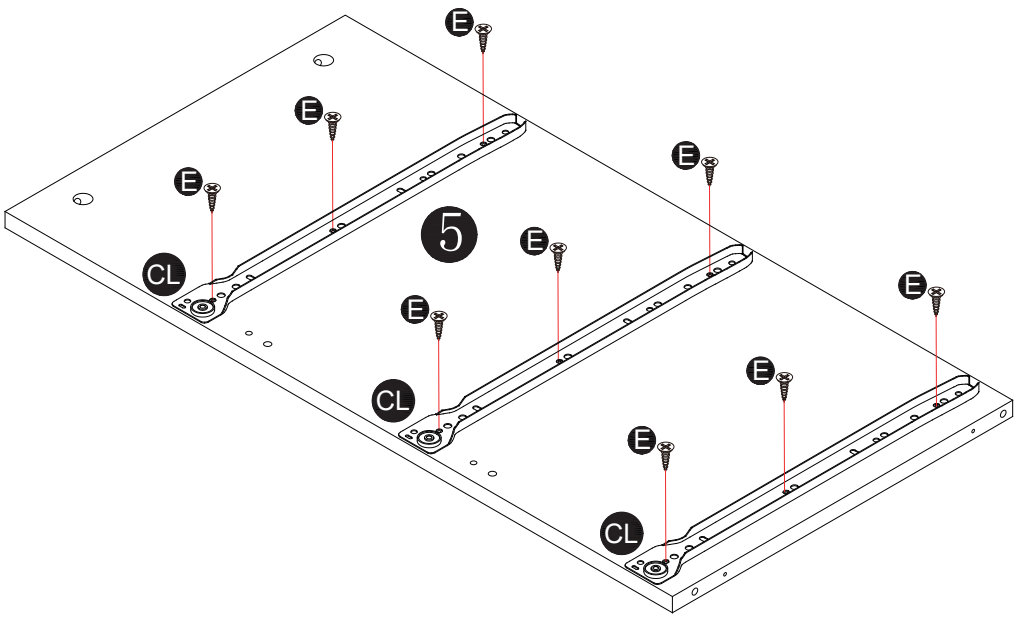


# Step:3

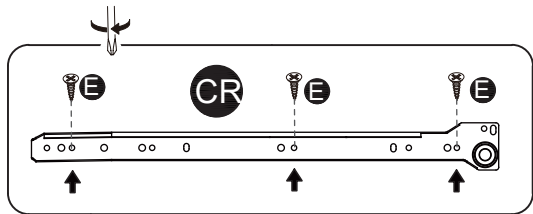
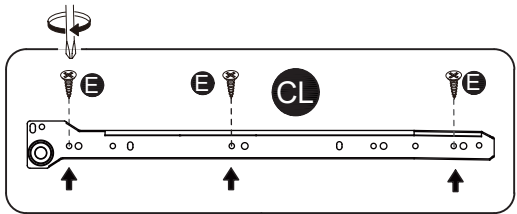
**CL**  
  
L350mm 6PCS

**CR**  
  
L350mm 6PCS

**E**  
  
3\*12 36PCS

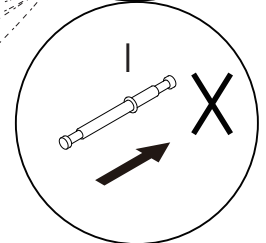
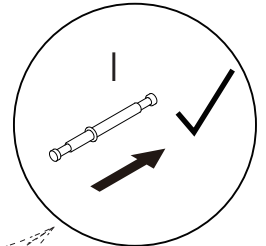
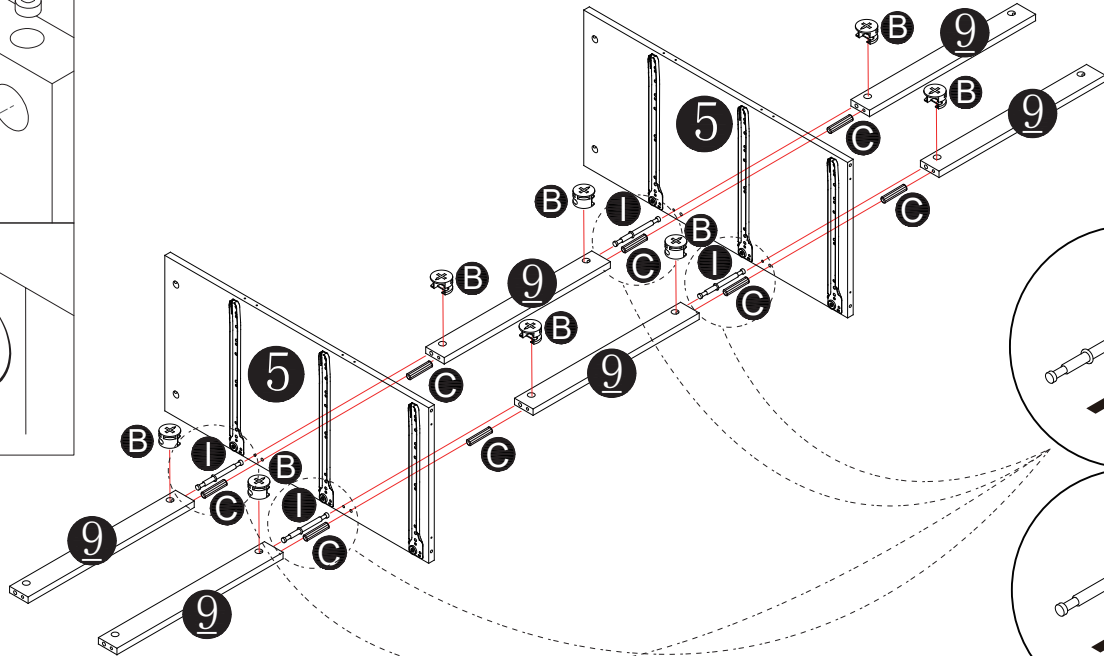
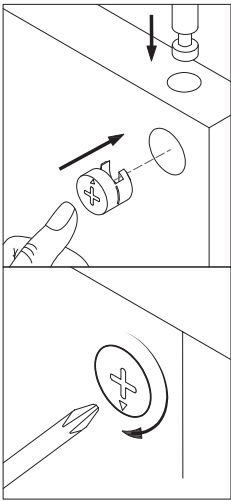
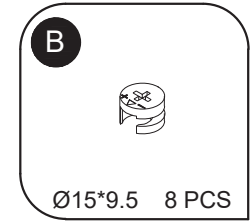
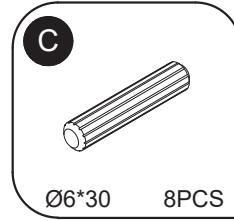
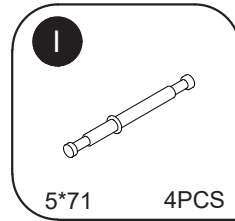


# x2

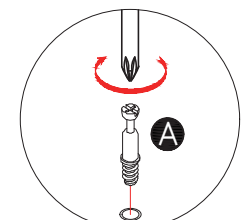
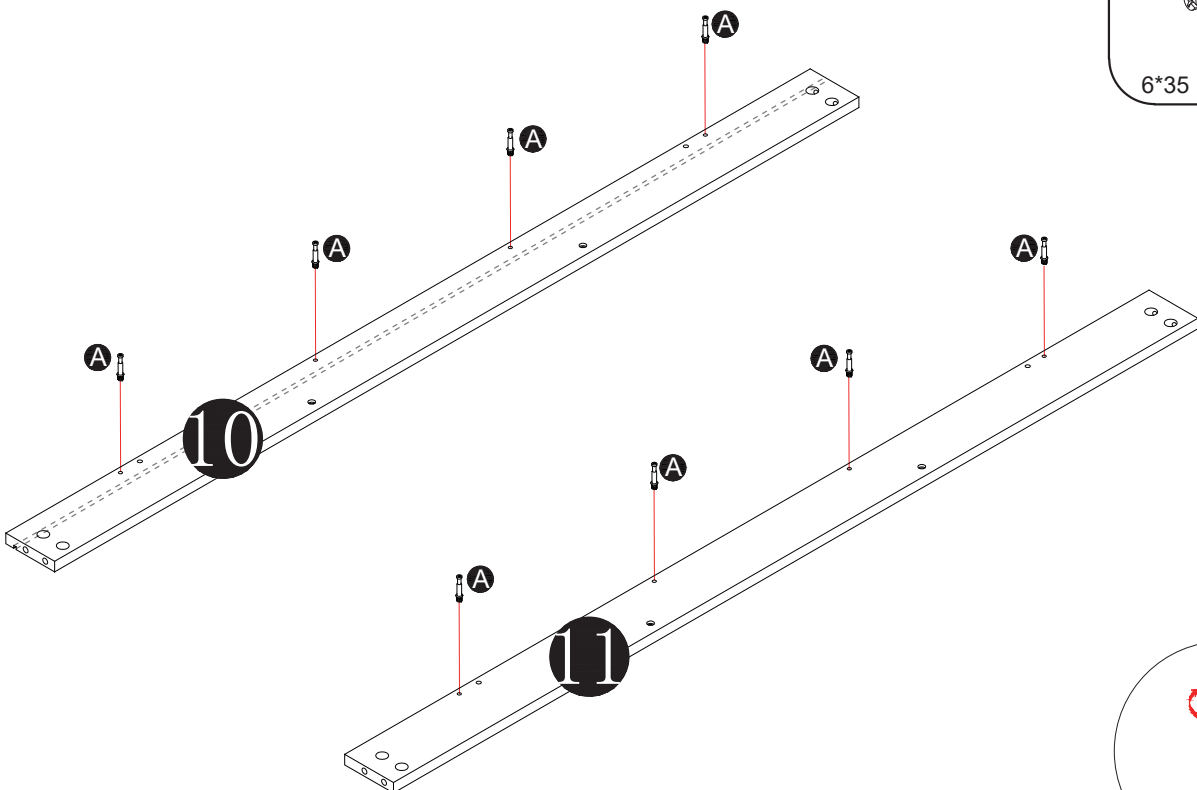
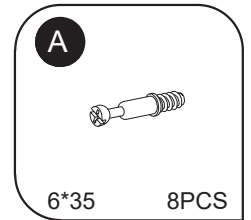


# Step:4

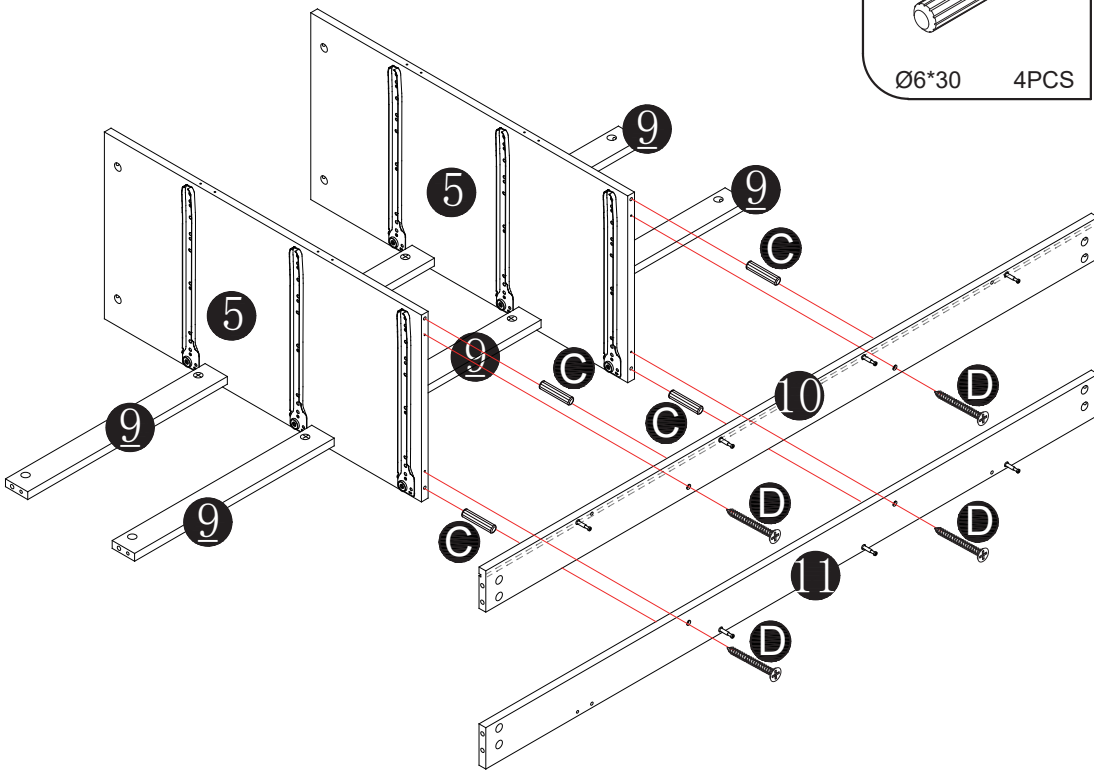
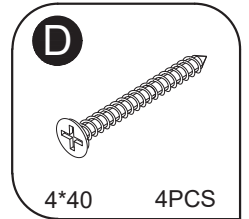
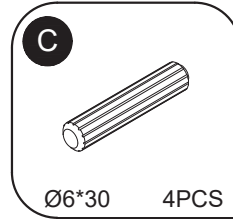
Please pay attention to the direction of the double-ended rod.



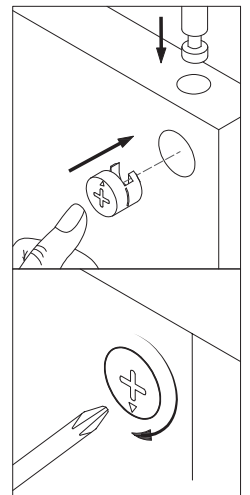
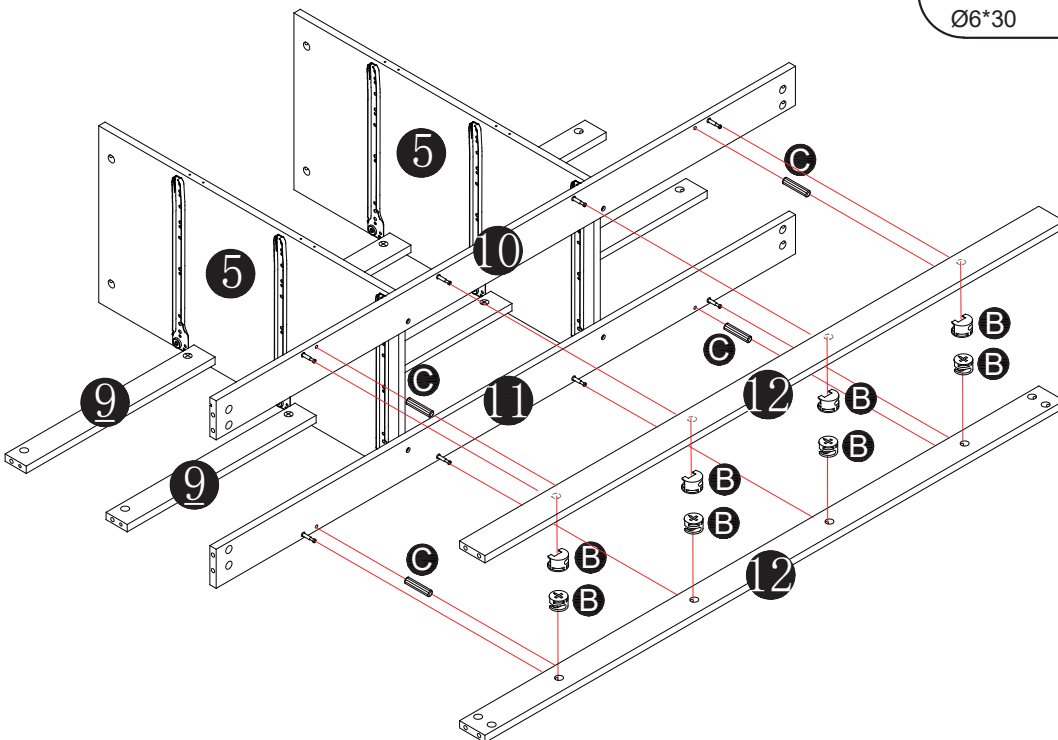
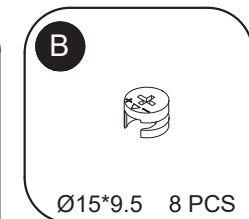
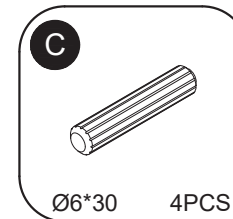
# Step:5



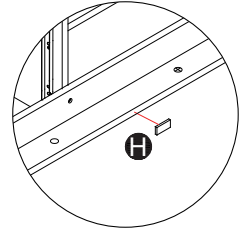
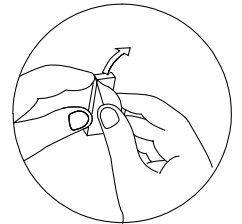
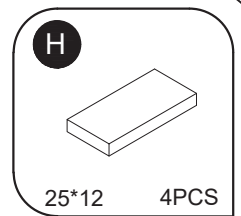
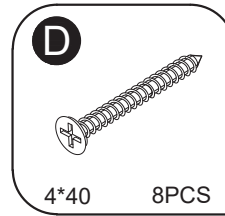
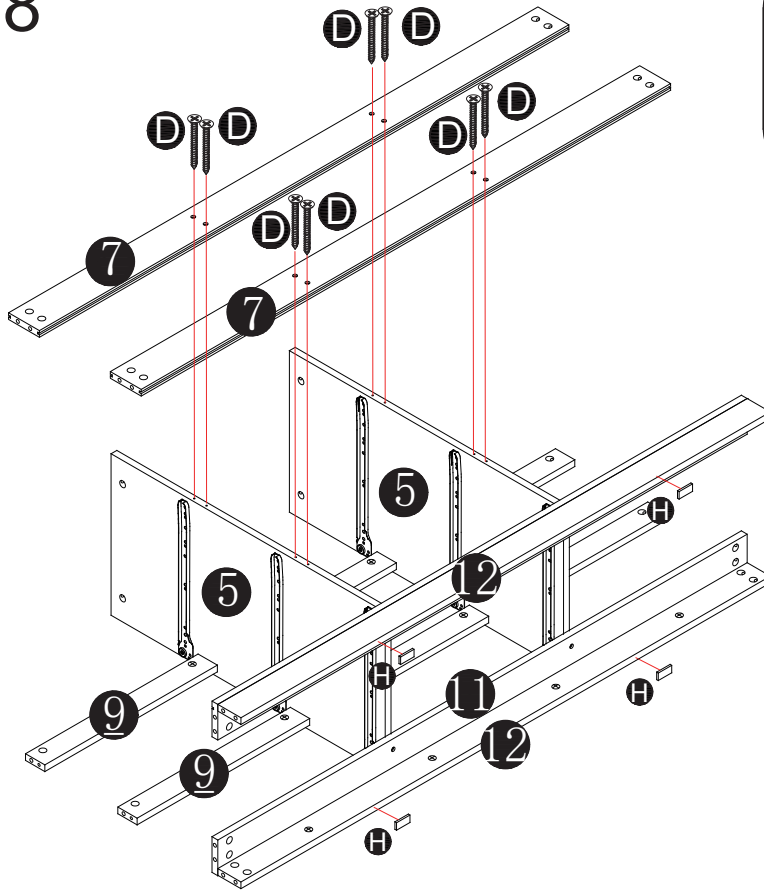
# Step:6



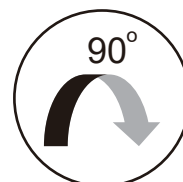
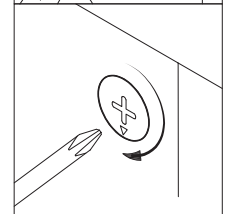
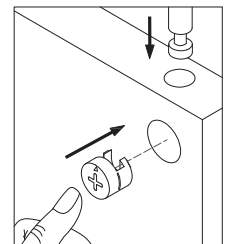
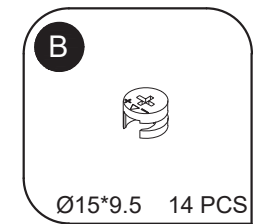
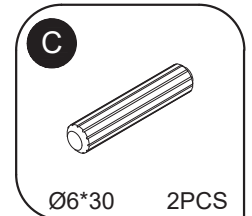
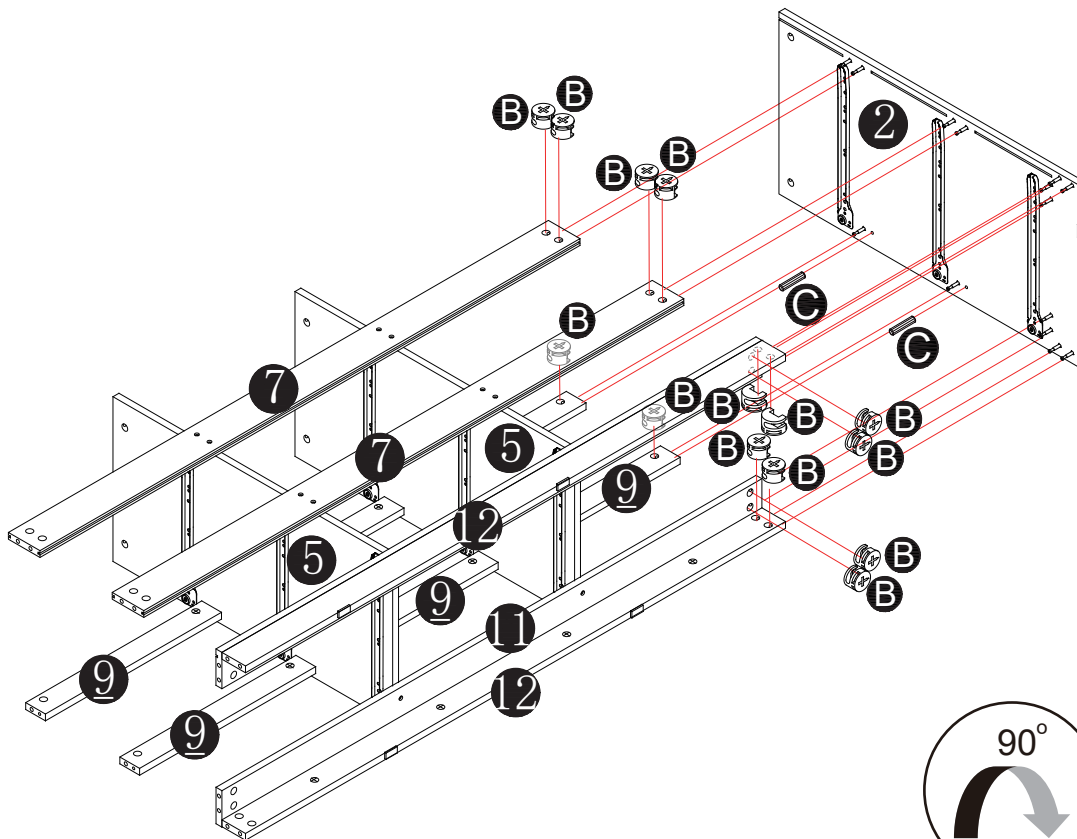
# Step:7



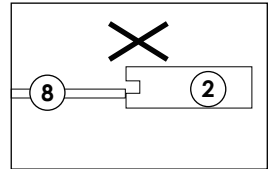
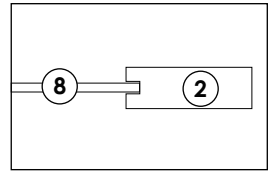
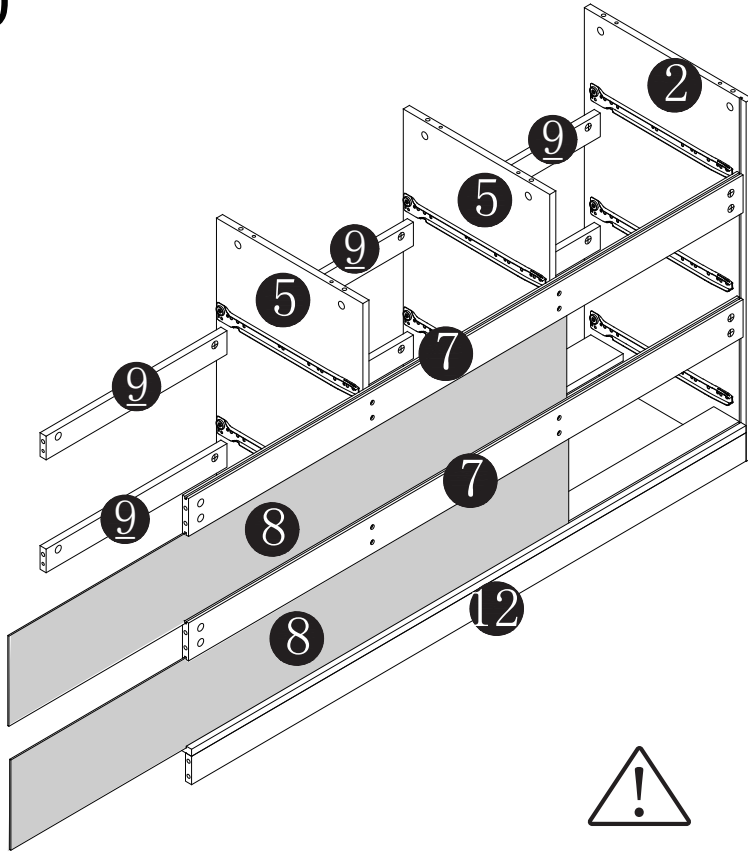
# Step:8



# Step:9

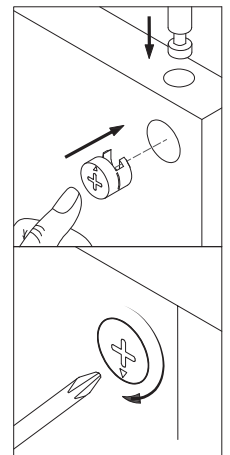
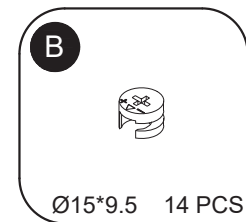
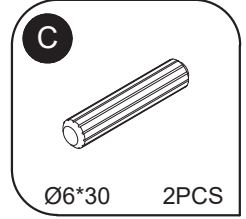
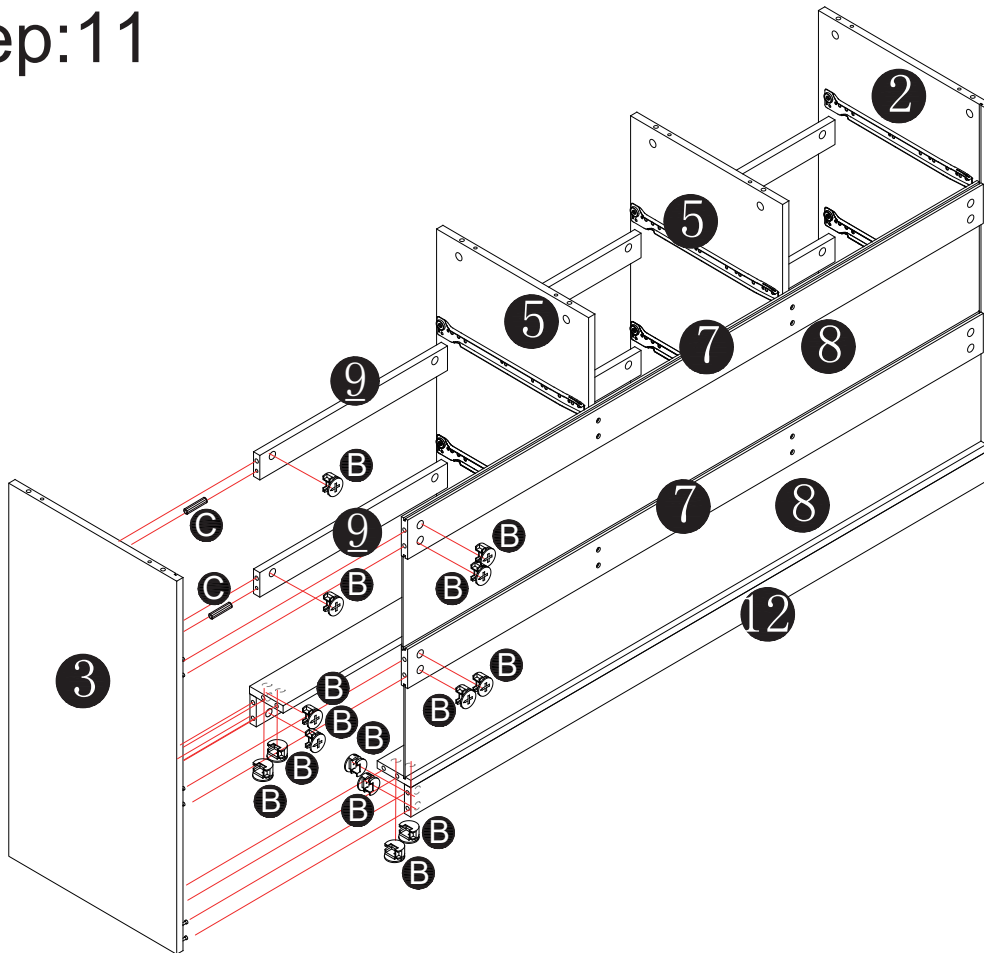


# Step:10

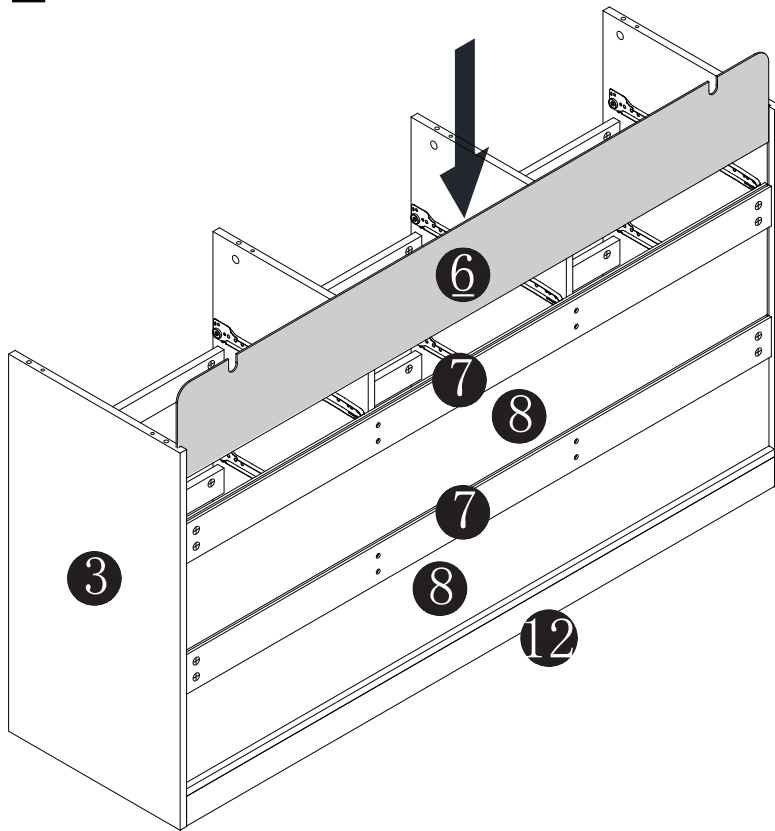


The 8th board needs to be fully inserted into the 2th board

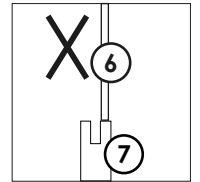
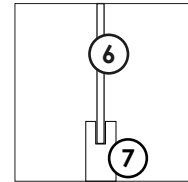
# Step:11



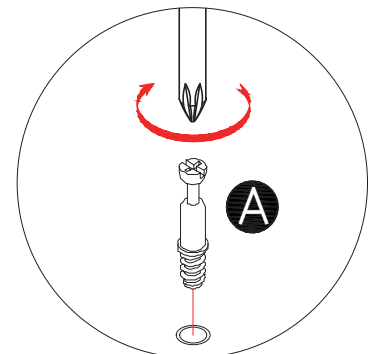
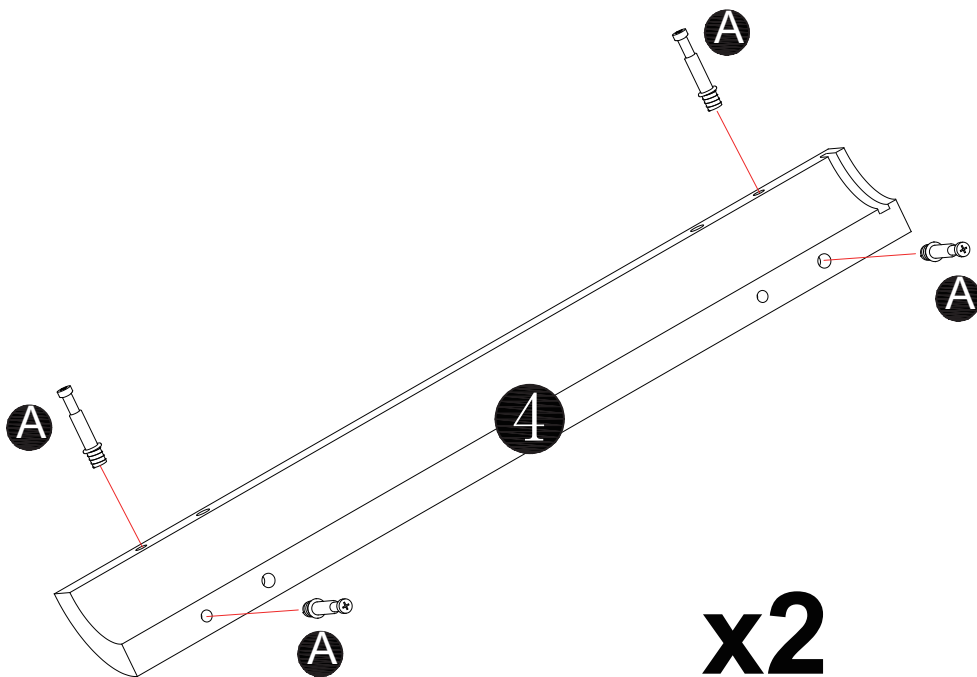
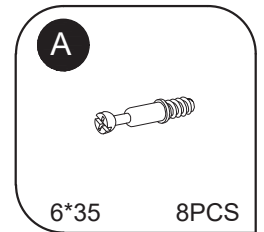
# Step:12



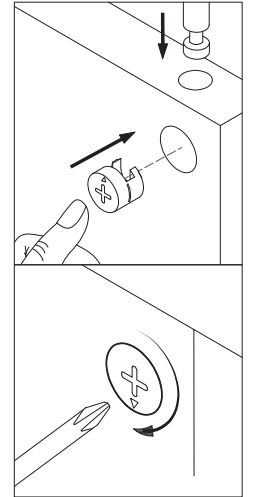
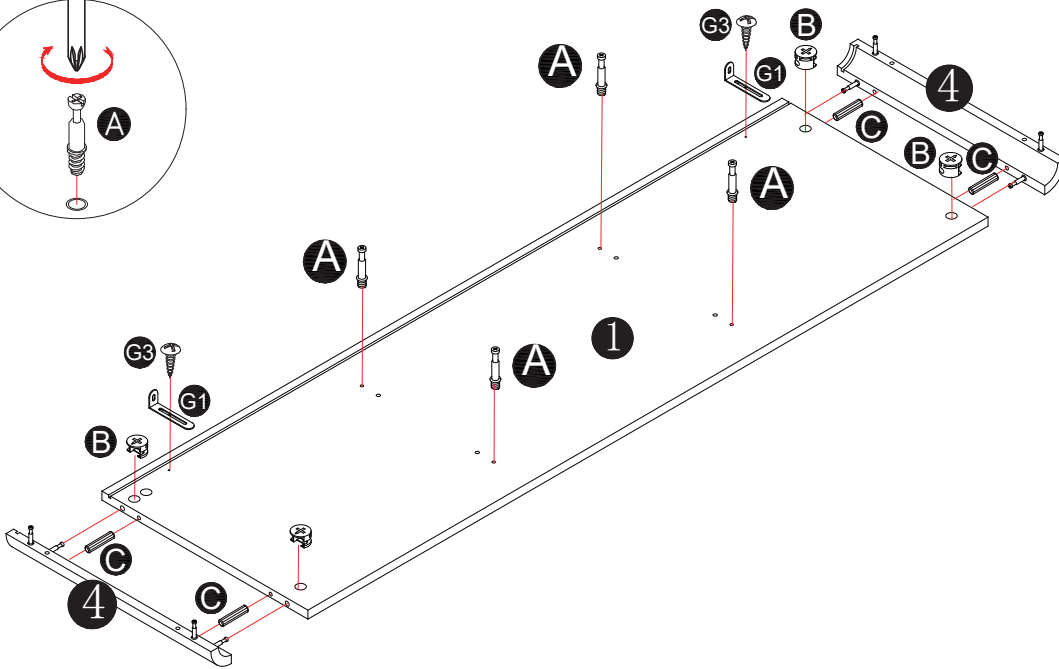
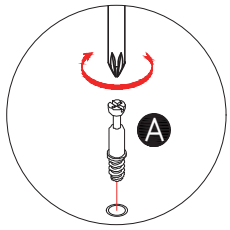
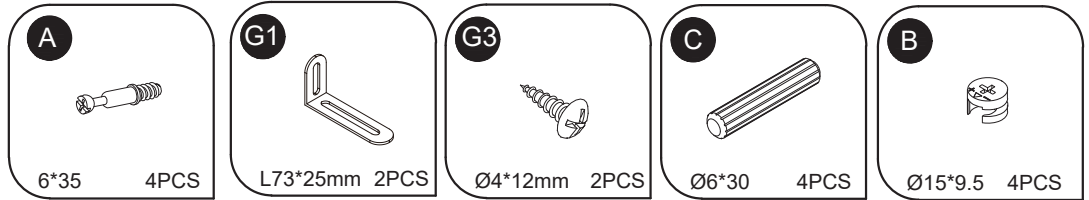
The 6th board needs to be fully inserted into the 7th board



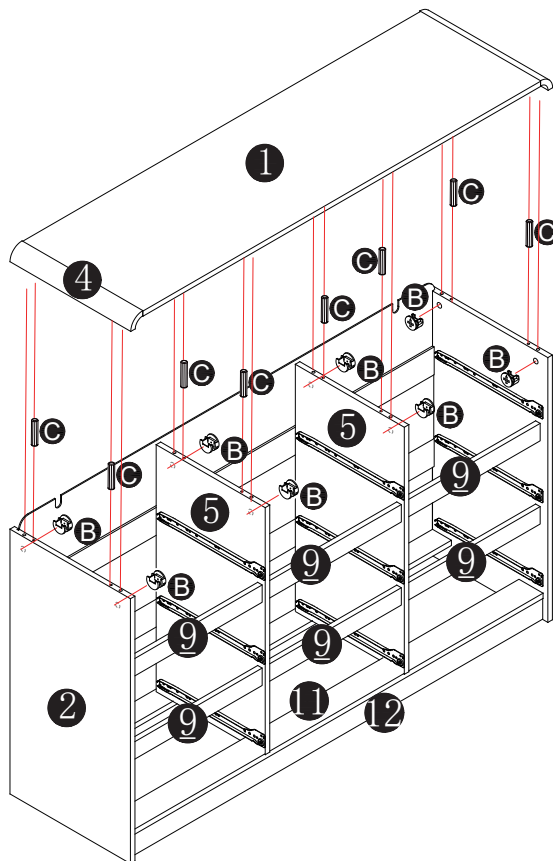
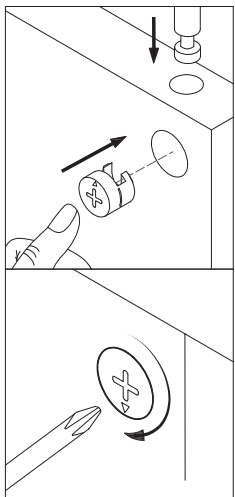
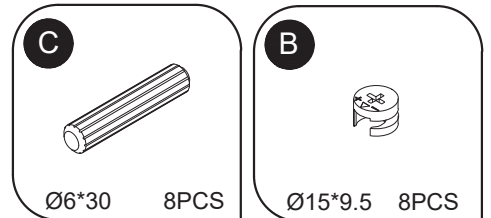
# Step:13



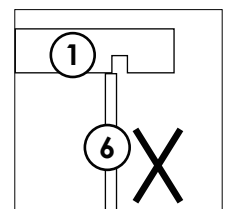
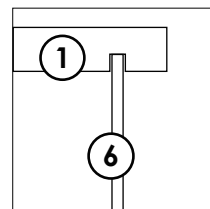
# Step:14



# Step:15

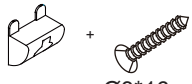


The 6th board needs to be fully inserted into the 1th board



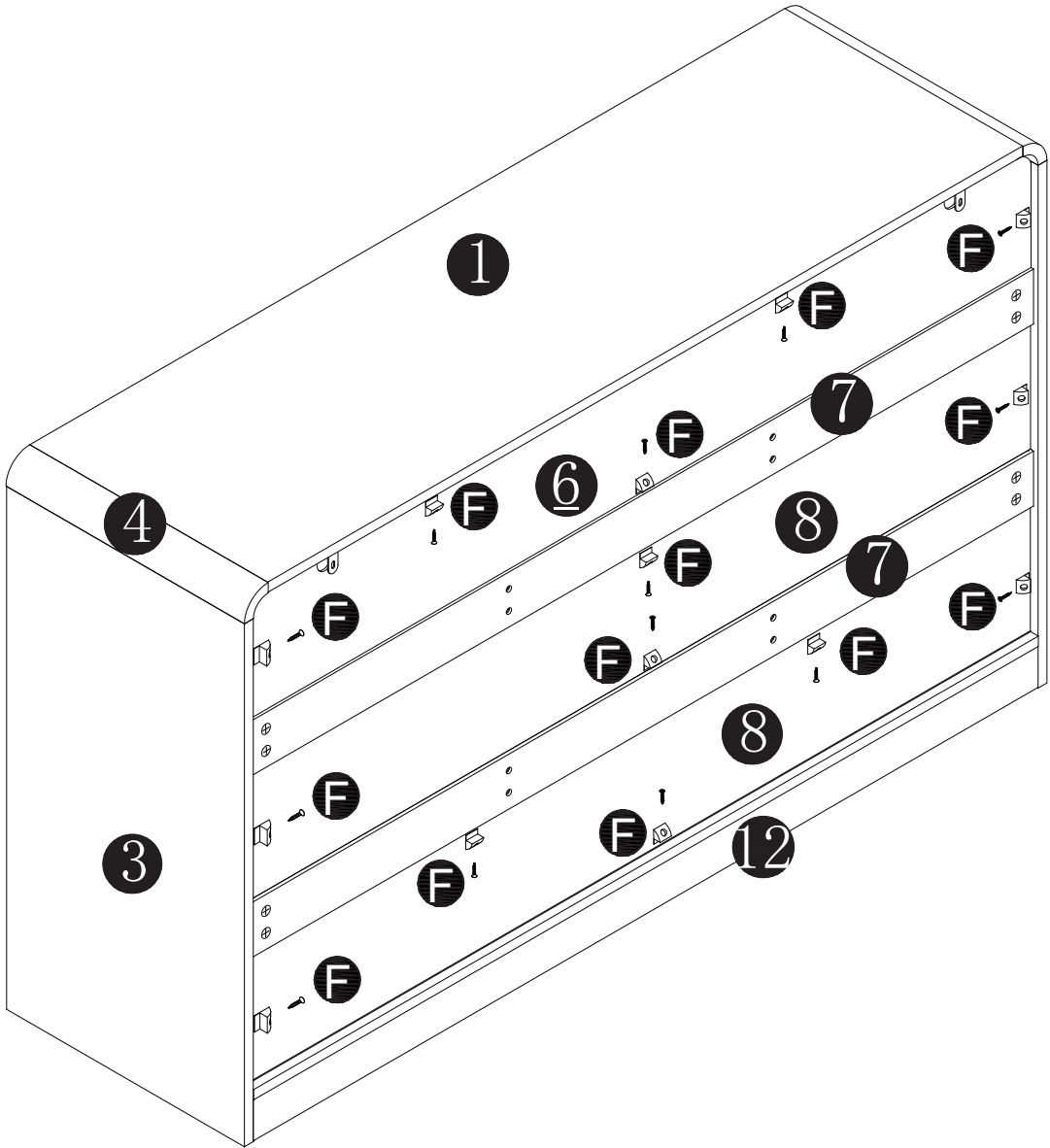
# Step:16

**F**

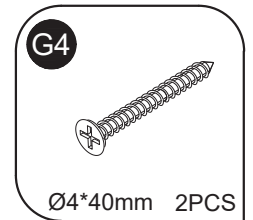
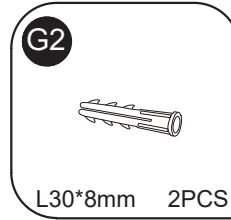


+  $\text{Ø}3 \times 16$

14PCS



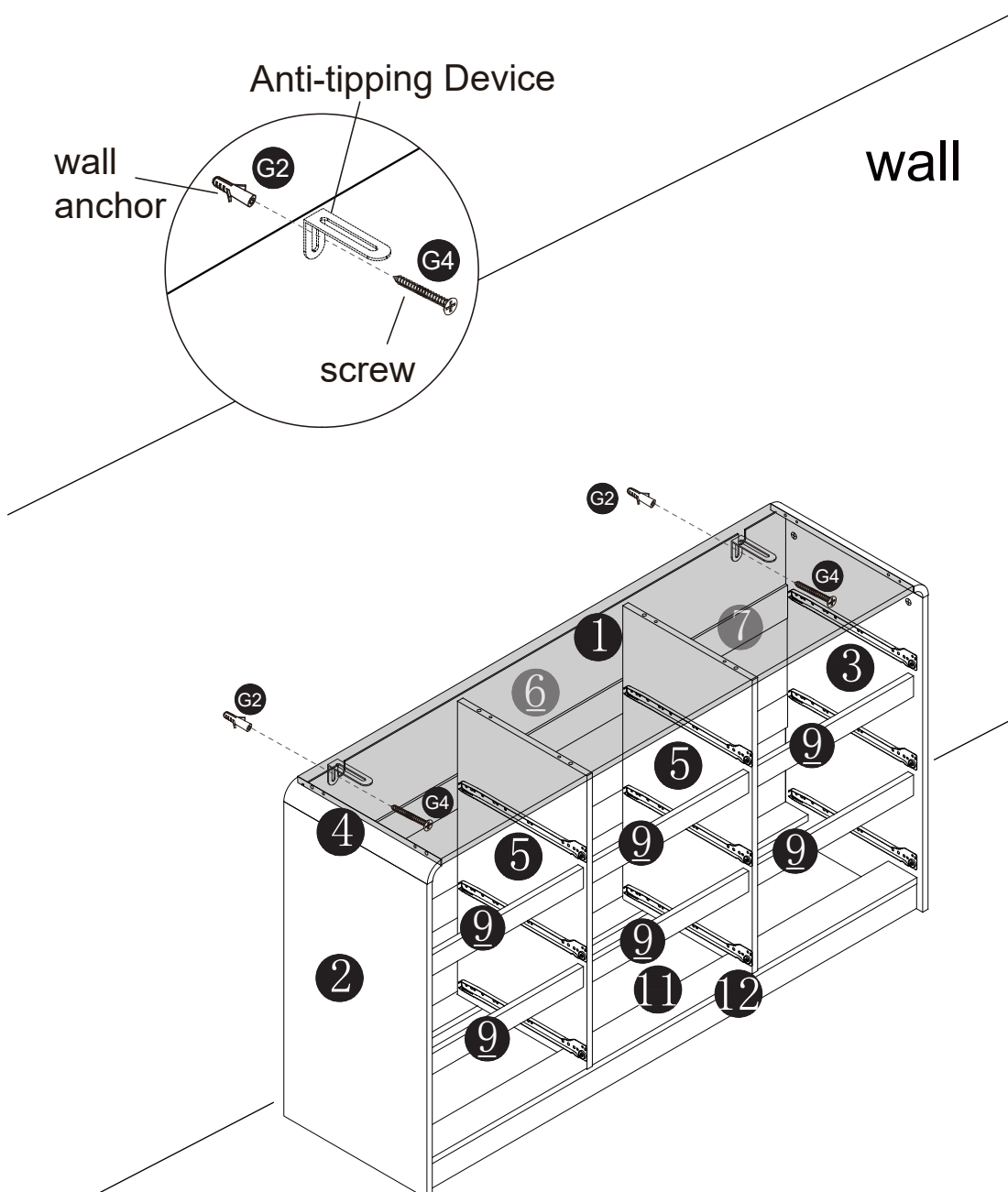
# Step:17



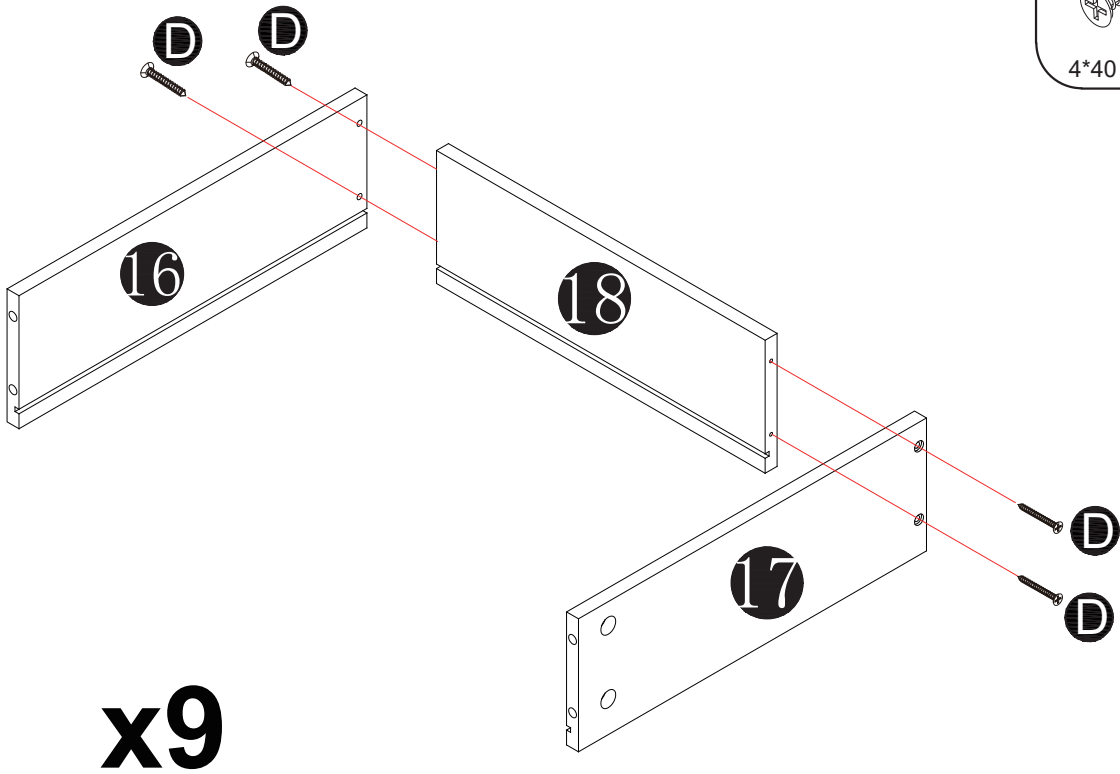
## ⚠ DANGER

To prevent furniture from toppling attach, mount, boor otherwise secure to walls and floors. Do not place unstable furniture near where children play. An anchor kit suitable for plaster walls is included with this item. If you require a different kit consult your near hardware store.

Note: Toppling preventer must be installed otherwise there is a risk of tipping

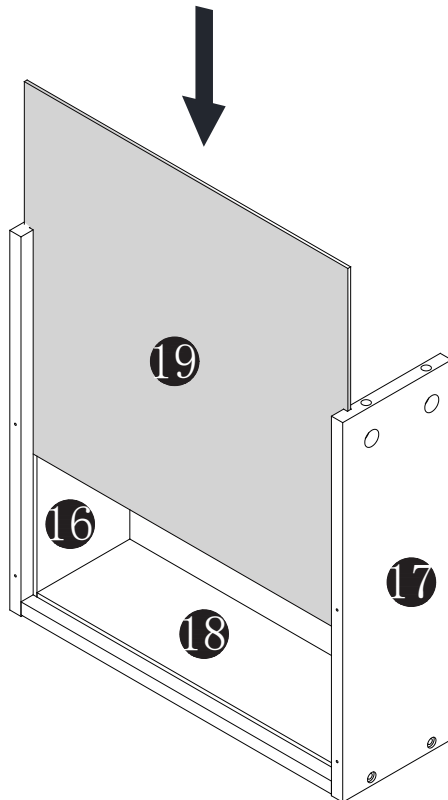


# Step:18



**x9**

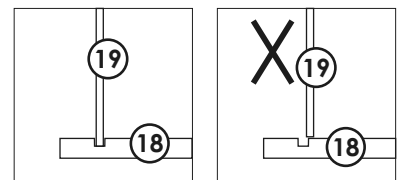
# Step:19



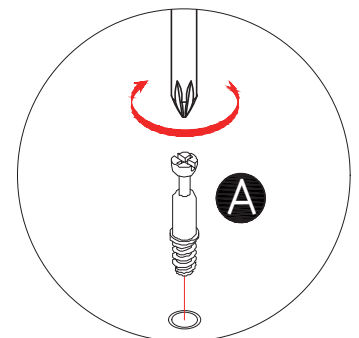
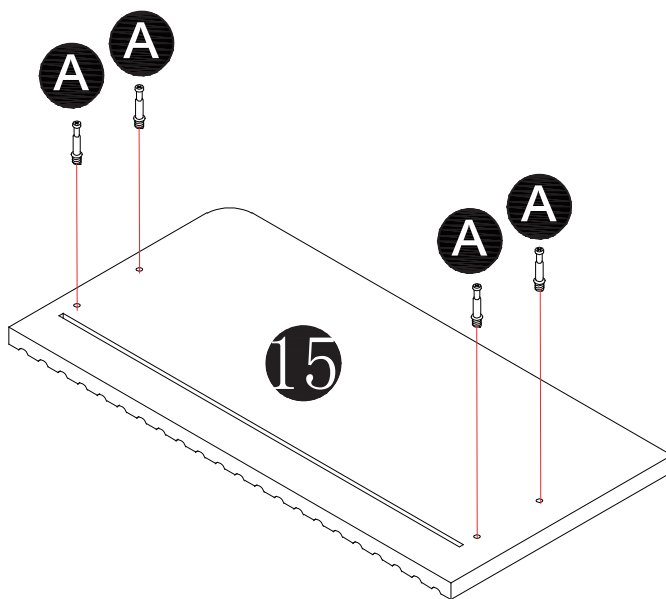
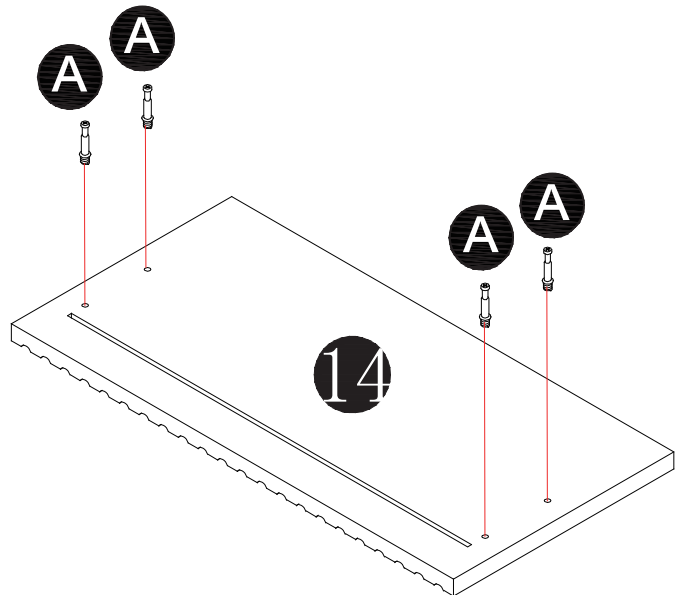
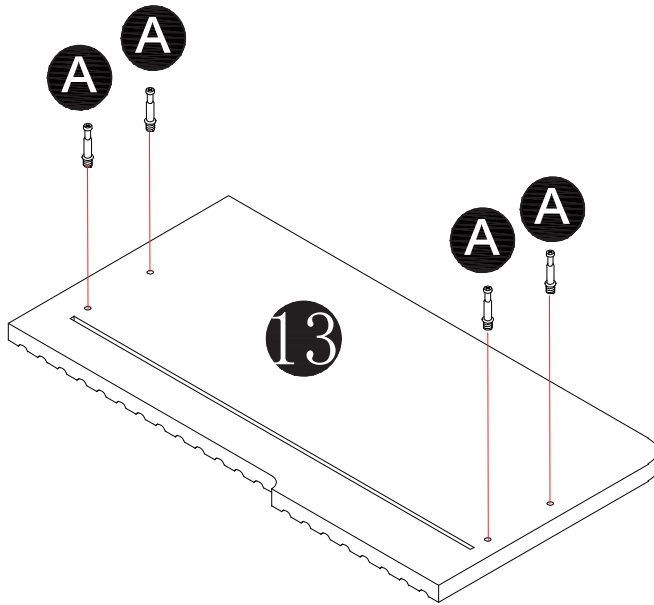
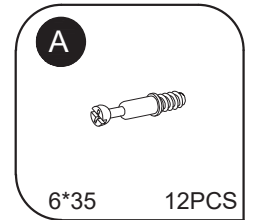
**x9**



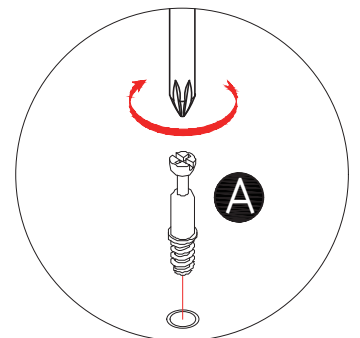
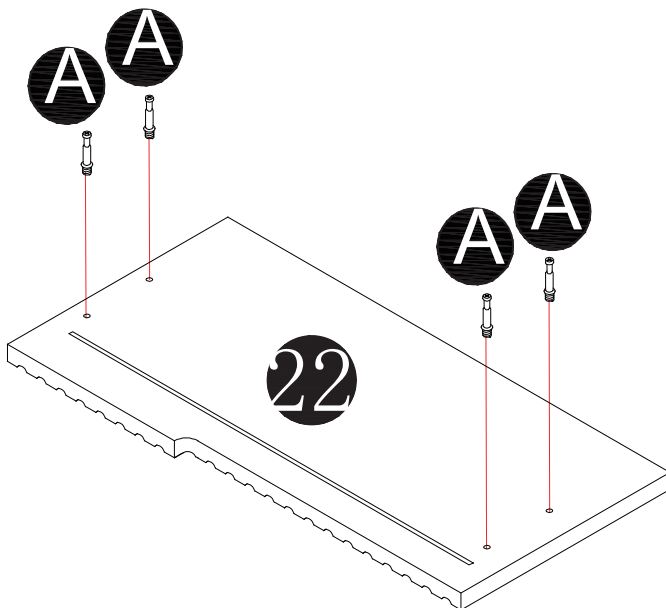
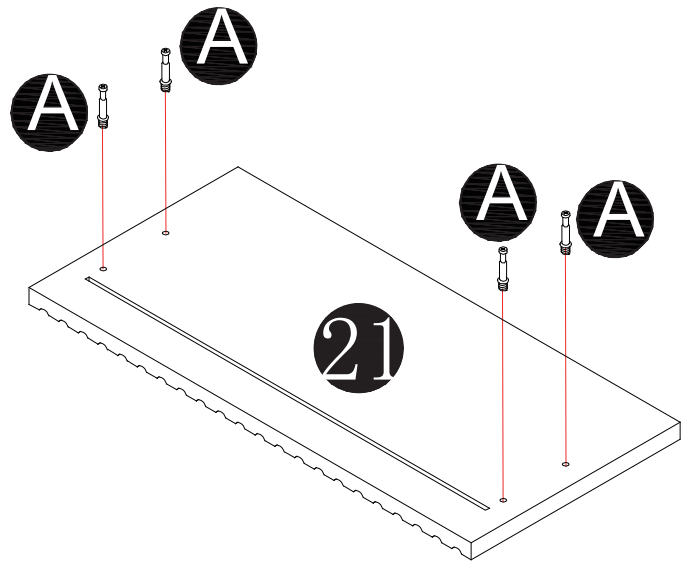
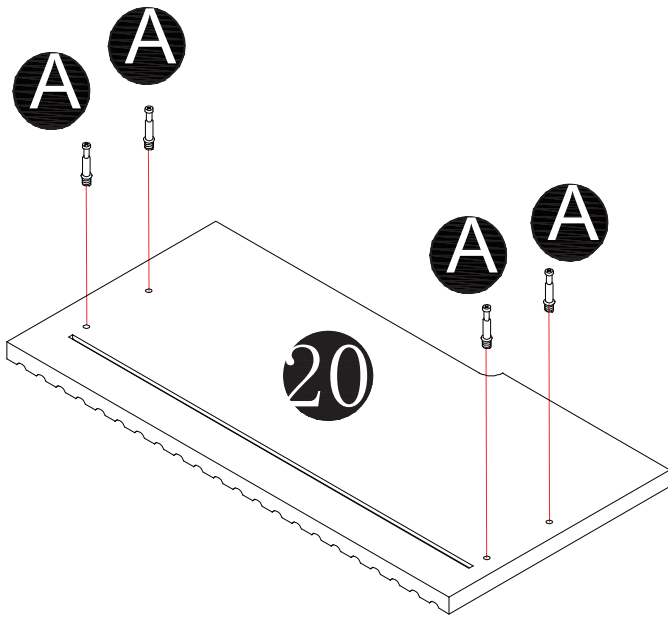
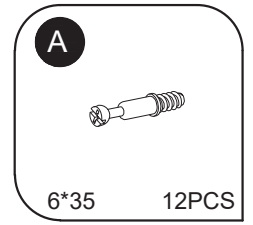
The 19th board needs to be fully inserted into the 18th board



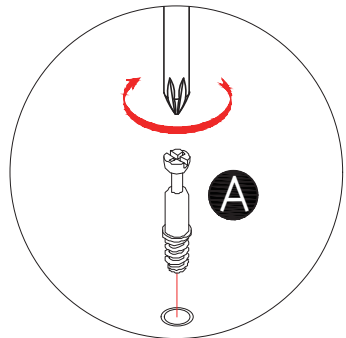
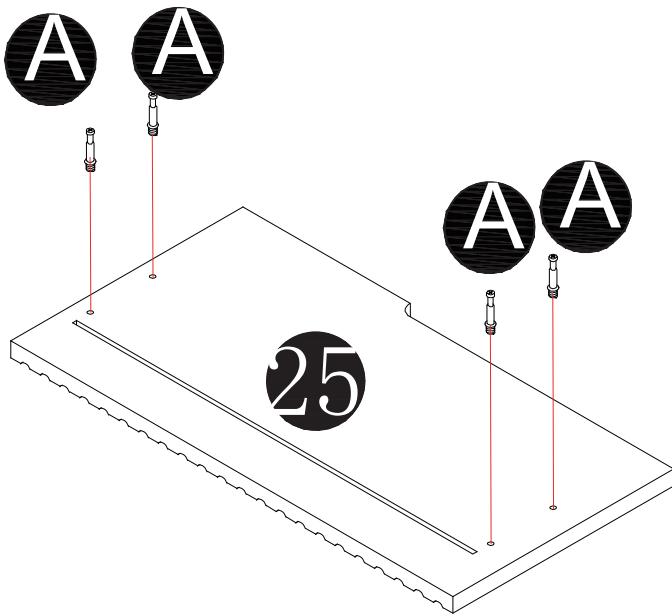
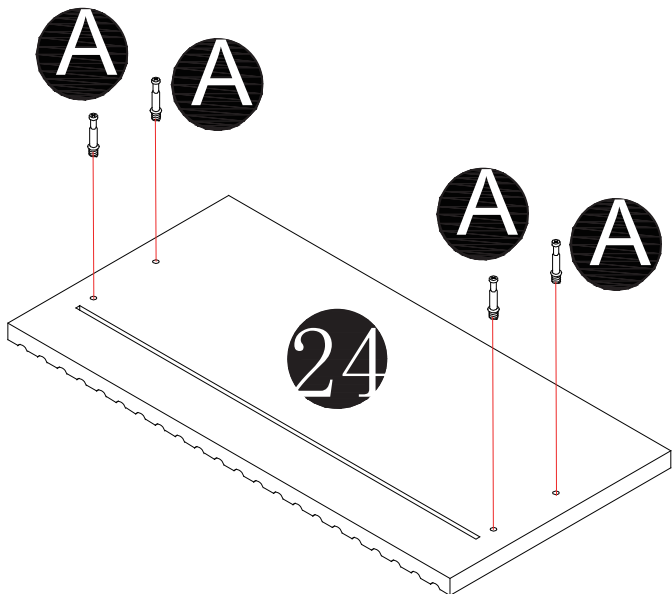
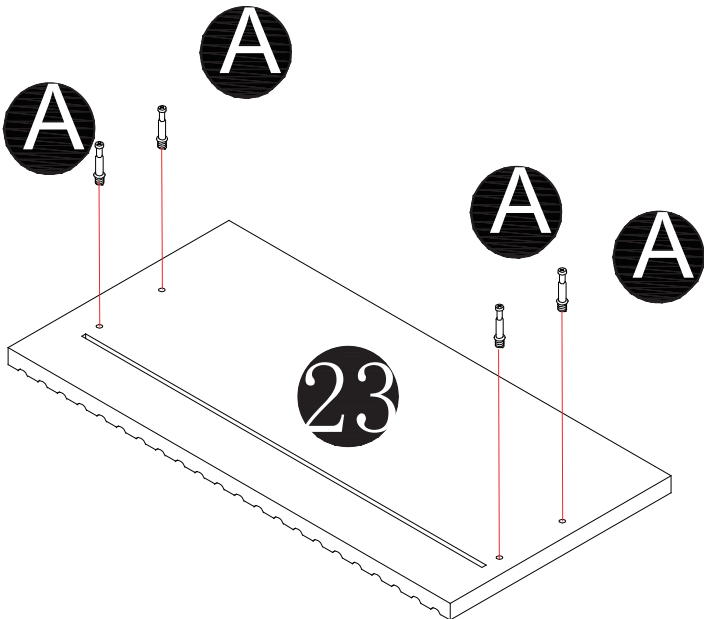
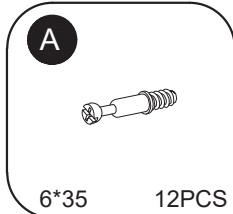
# Step:20



# Step:21



# Step:22

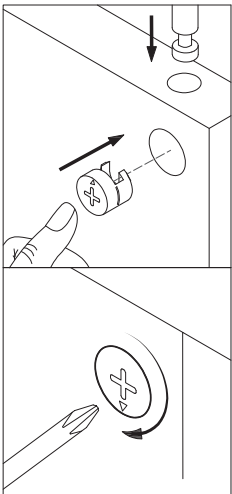
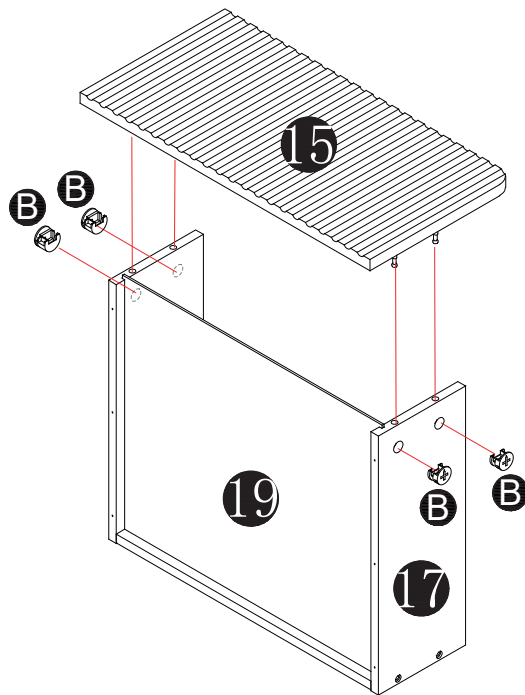
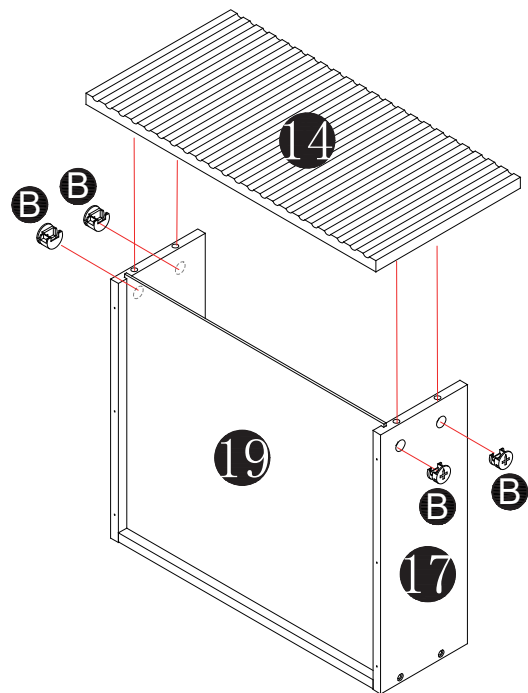
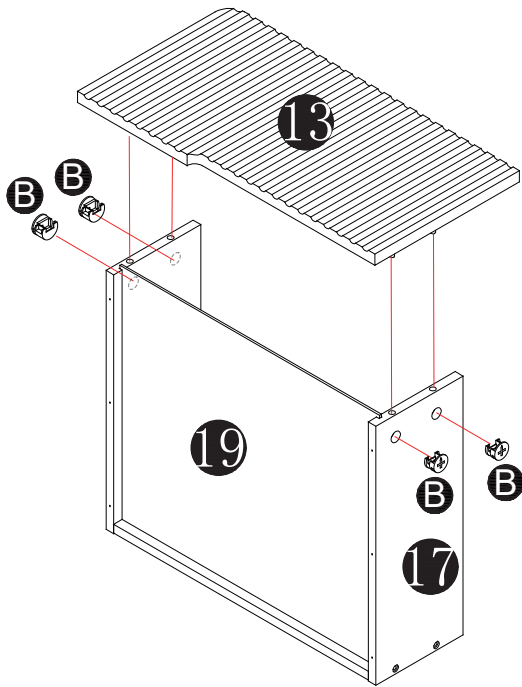


# Step:23

B




Ø15\*9.5 12 PCS

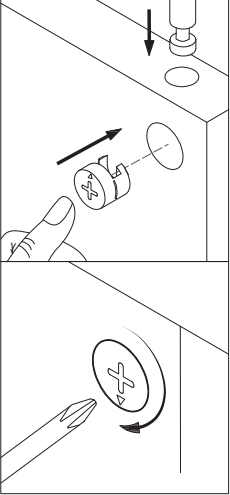
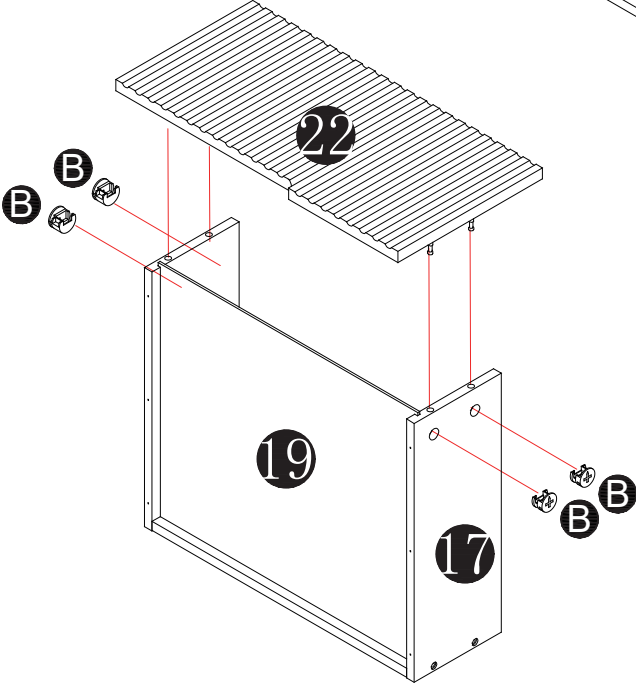
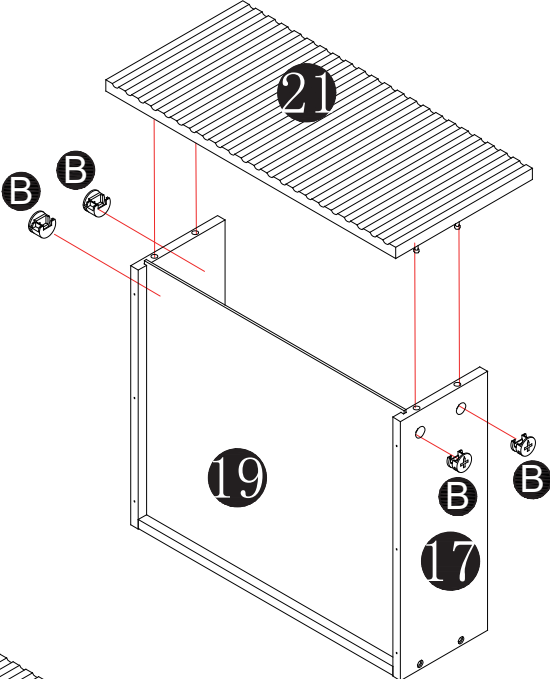
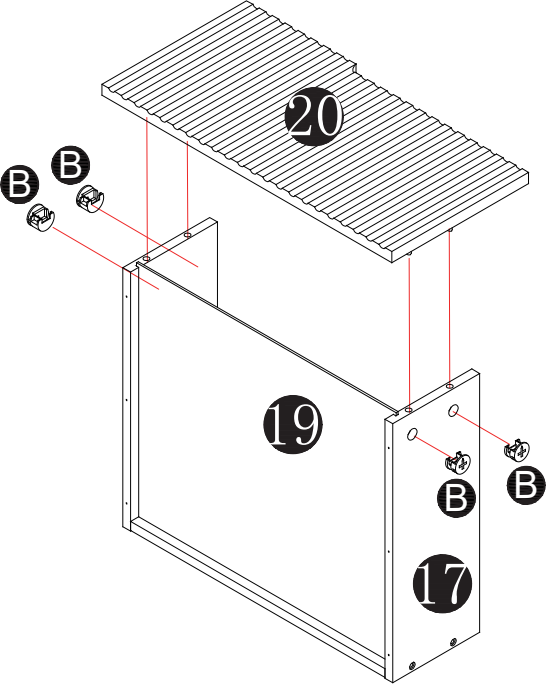


# Step:24

**B**




Ø15\*9.5 12 PCS

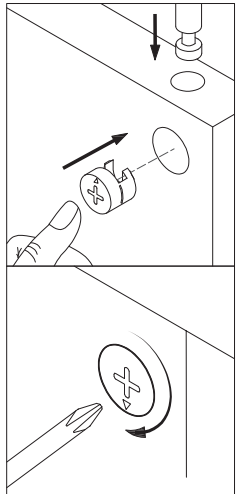
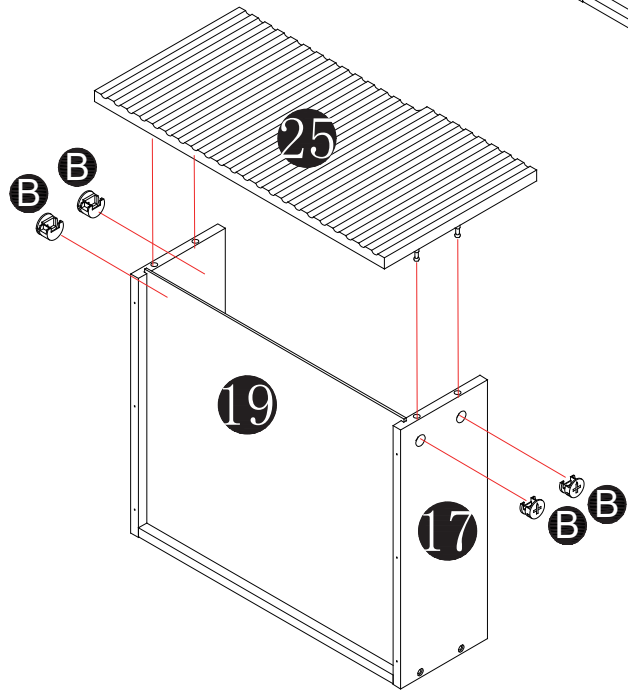
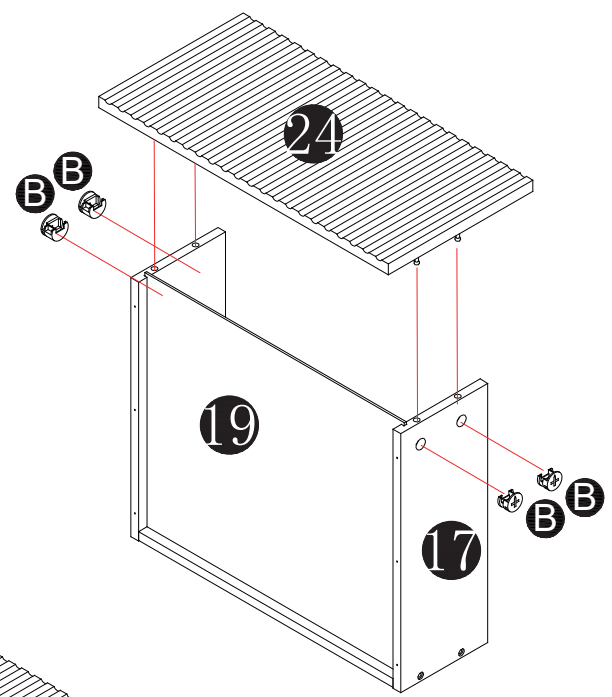
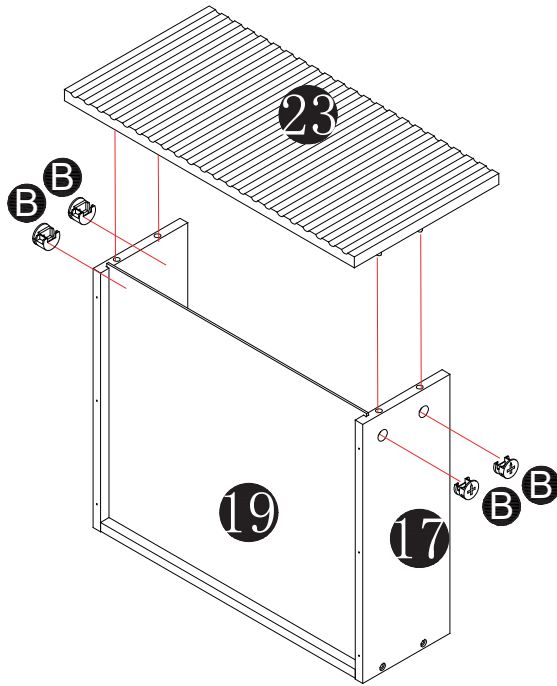


# Step:25

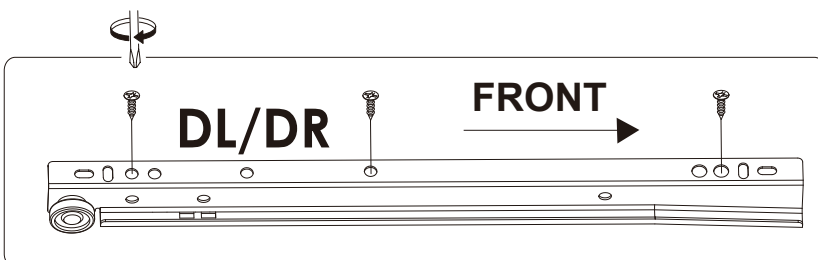
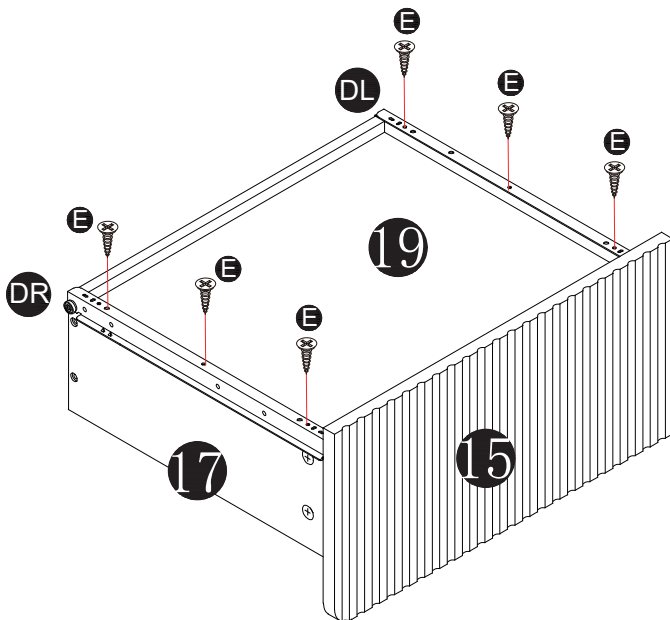
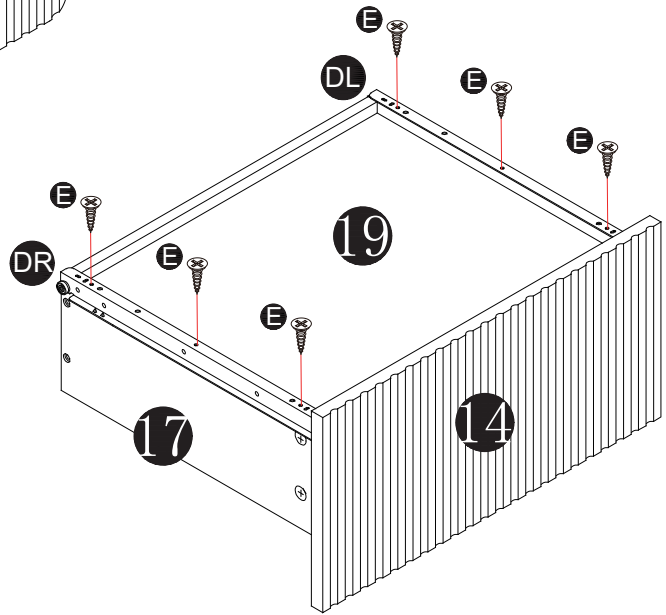
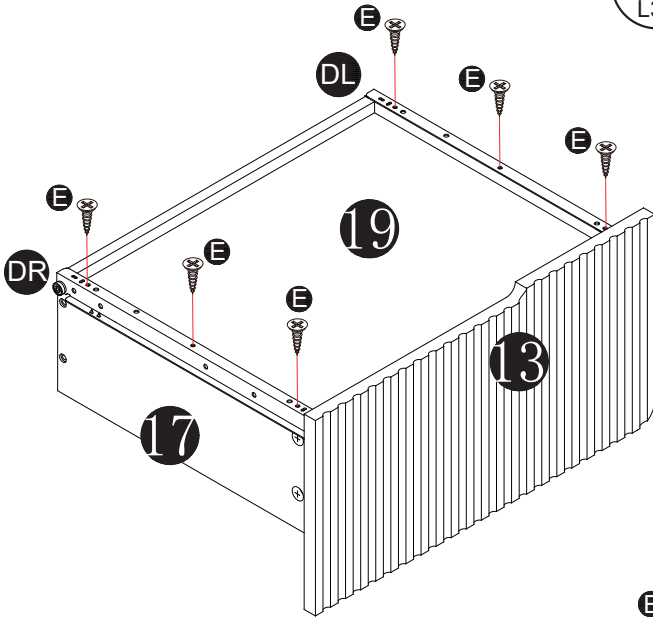
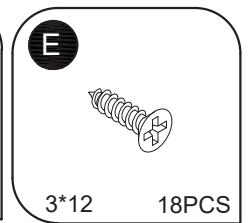
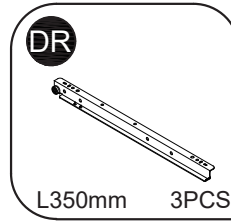
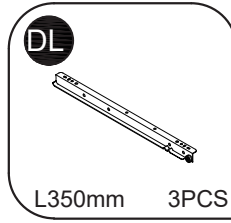
**B**



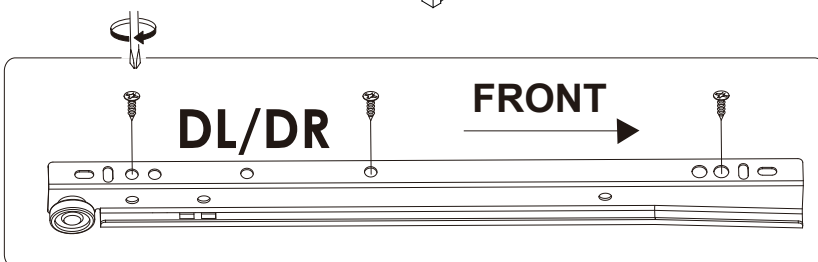
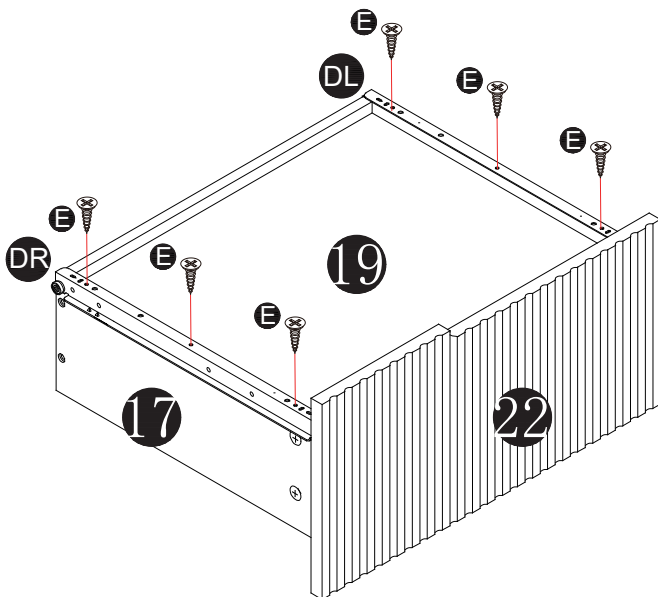
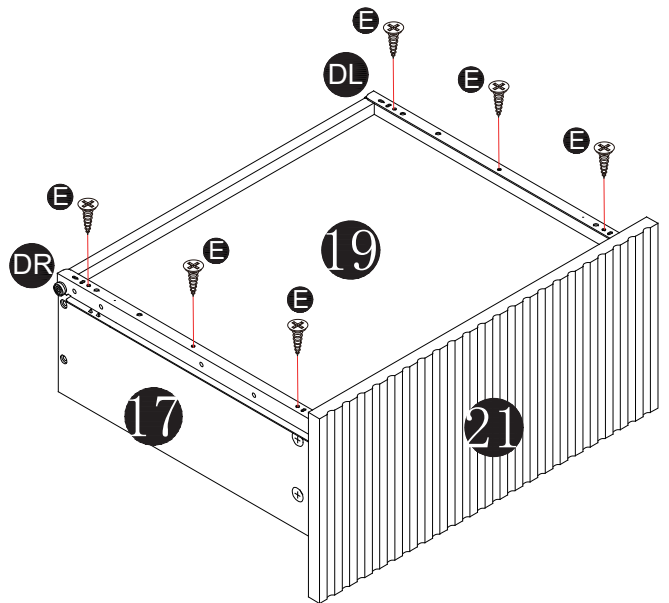
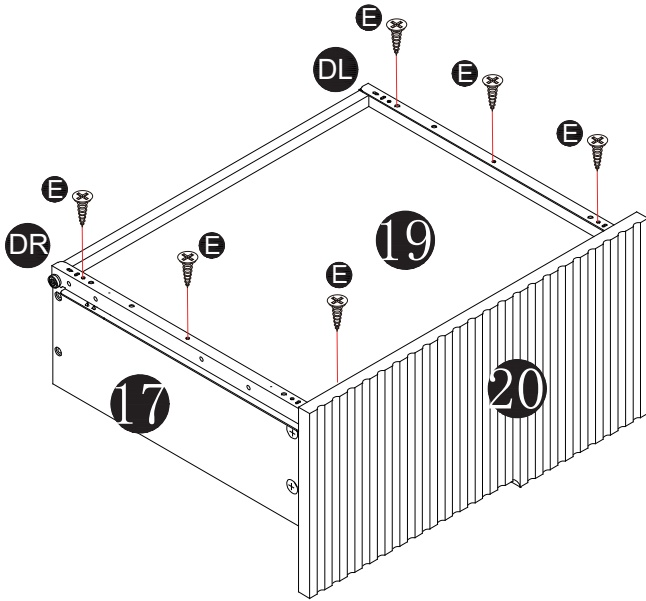
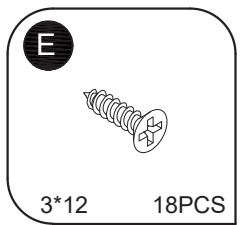
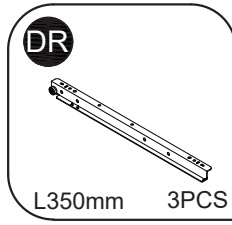
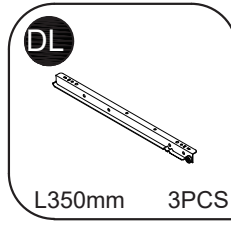
Ø15\*9.5 12 PCS



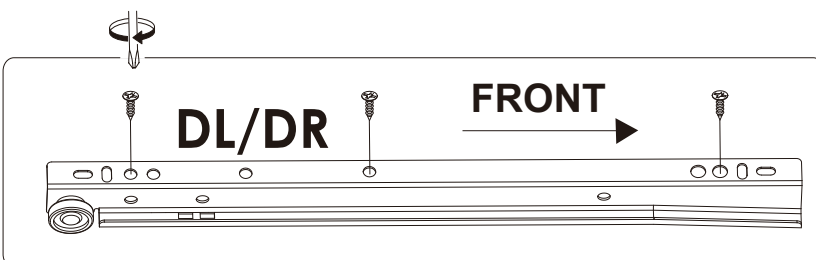
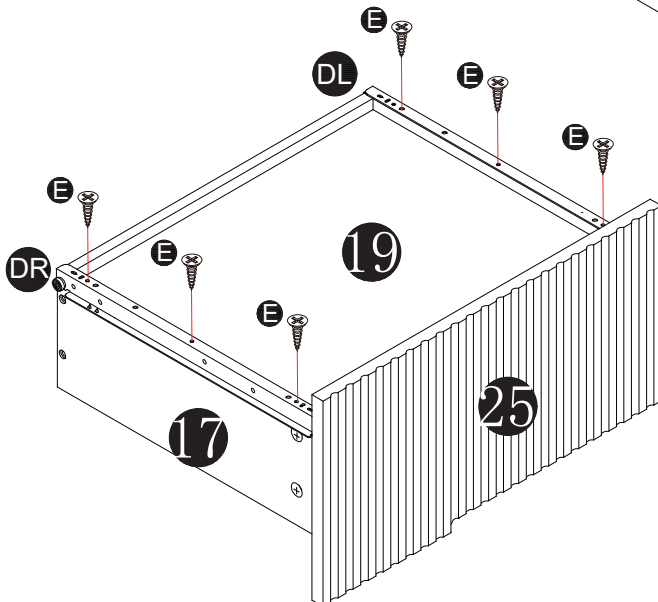
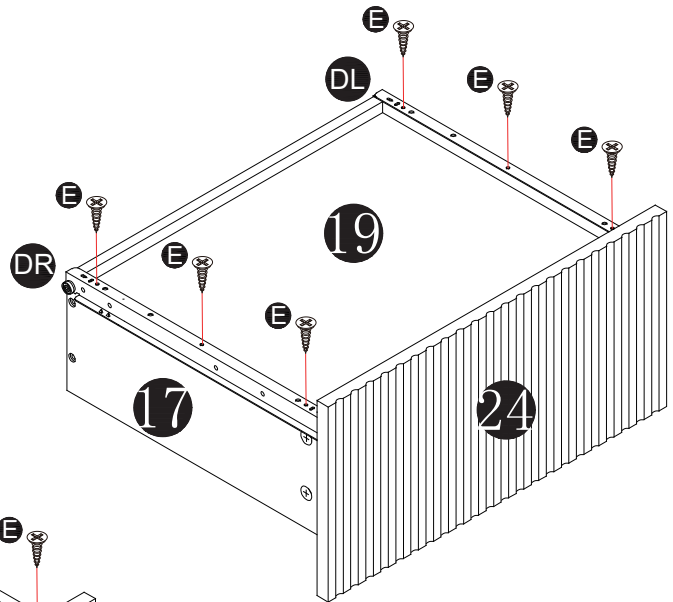
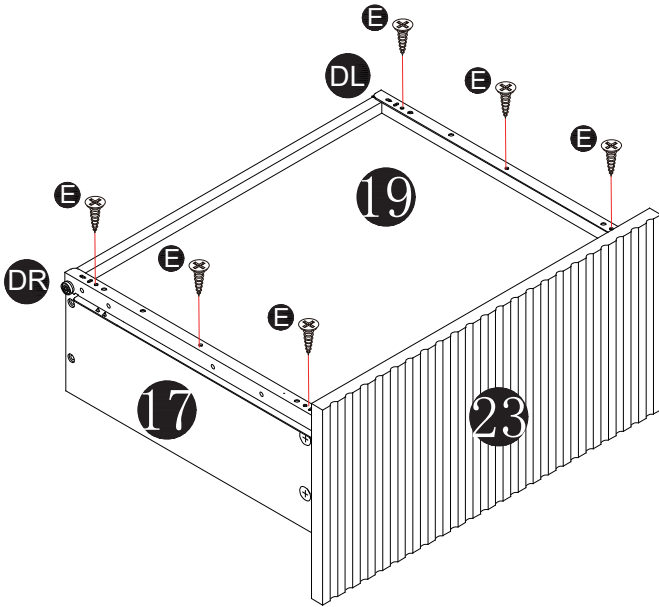
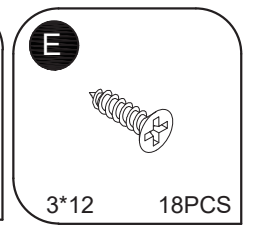
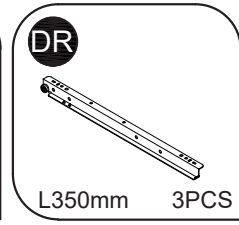
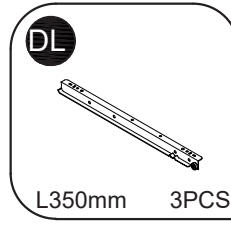
# Step:26



# Step:27

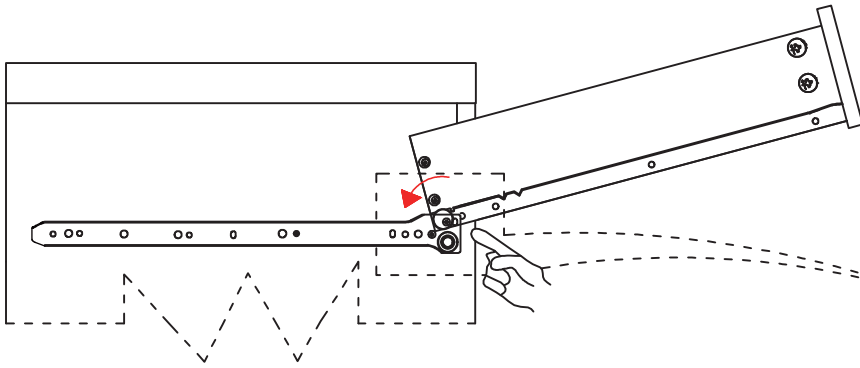


# Step:28

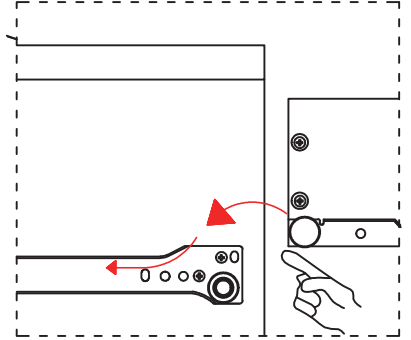
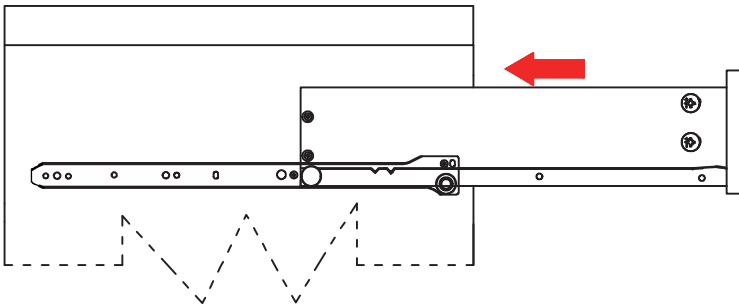


# Step:29

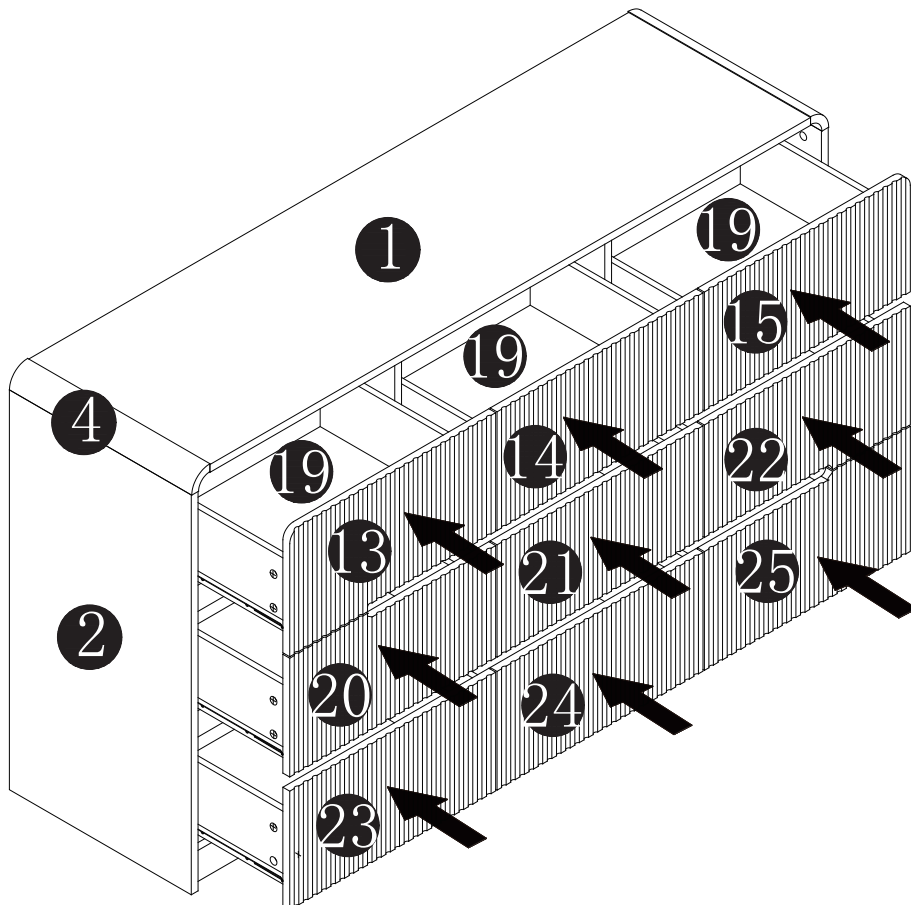
(1)



(2)



x9



# Step:30

