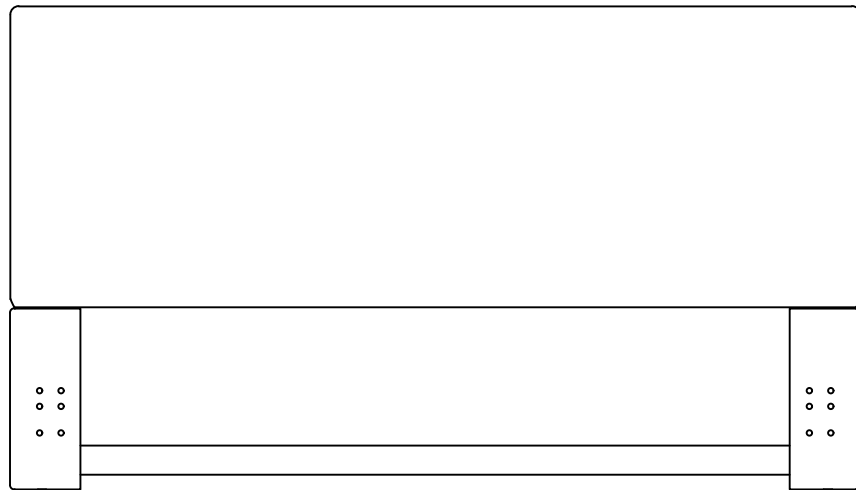


ASSEMBLY INSTRUCTIONS



Fine Furniture for every stage of life

King Headboard

REVISION 0: 12/20/2021
REVISION 1: 06/08/2023

ASSEMBLY INSTRUCTIONS

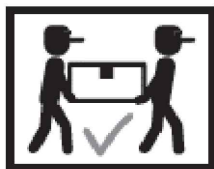
ASSEMBLY TIPS:

1. Remove hardware from box and sort by size.
2. Please check to see that all hardware and parts are present prior to start of assembly.
3. Please follow attached instructions in the same sequence as numbered to assure fast & easy assembly.

WARNING!



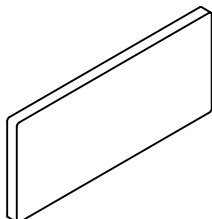
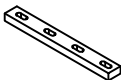
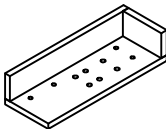

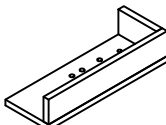
1. Don't attempt to repair or modify parts that are broken or defective. Please contact the store immediately.
2. This product is for home use only and not intended for commercial establishments.












ASSEMBLY TIME

15 MINUTES

PARTS IDENTIFICATION

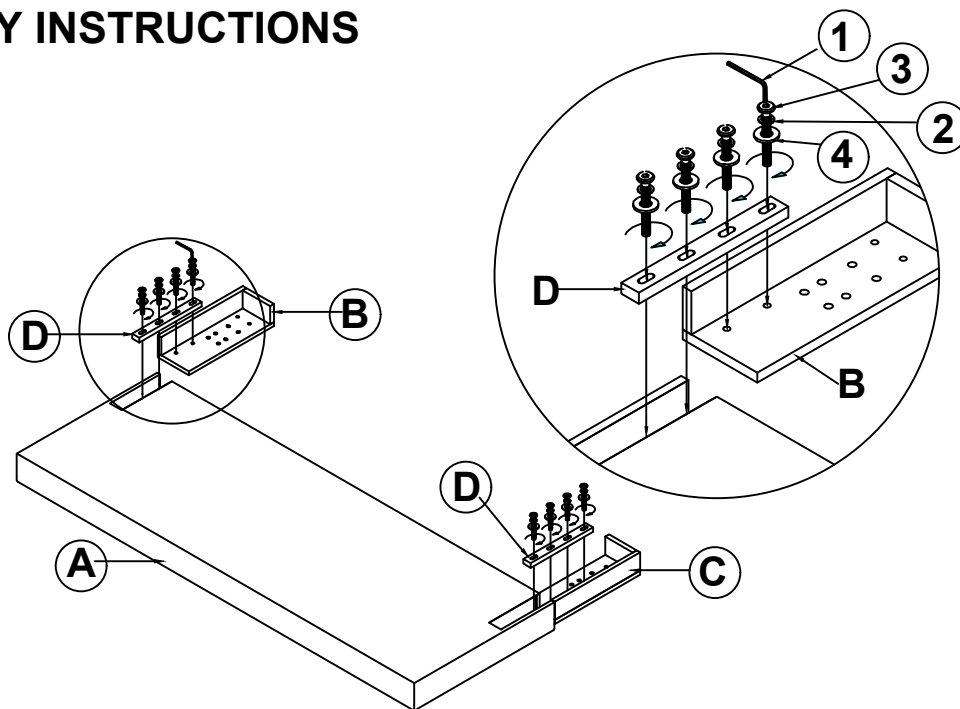
A HEADBOARD PANEL		1PC	D WOOD CLEAT		2PCS
B LEFT LEG		1PC	E HEADBOARD BOTTOM RAIL		1PC
C RIGHT LEG		1PC			

HARDWARE IDENTIFICATION

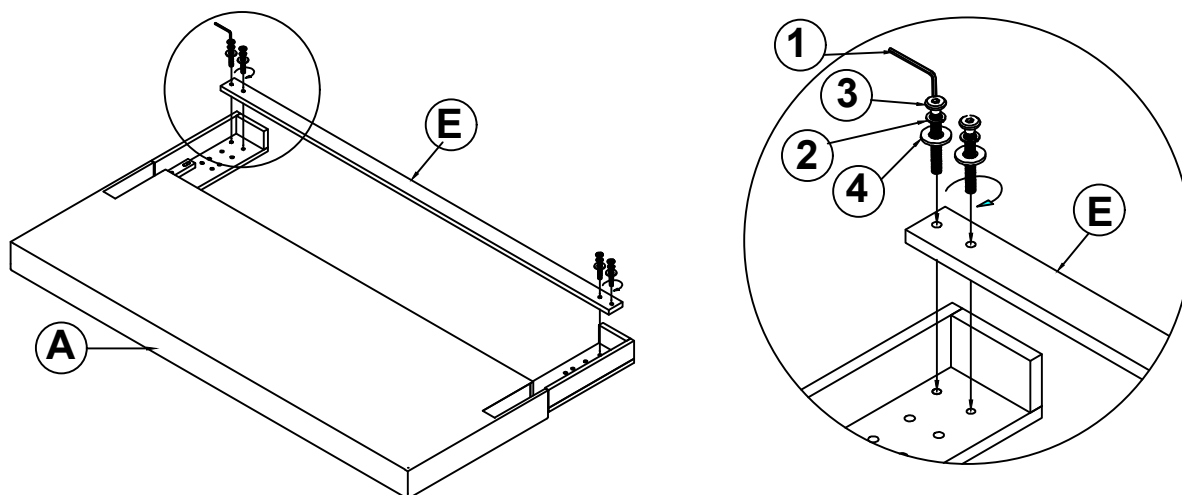
1 ALLEN WRENCH (4MM-RBW)		1PC	2 BIG LOCK WASHER (Ø 5/16 "-RBW)		12PCS
3 BIG BOLT (Ø 5/16 "X38mm-RBW)		12PCS	4 BIG FLAT WASHER (Ø 5/16 "-RBW)		12PCS
5 HEX NUT (1/4"x10mm)		6PCS	6 WRENCH (10MM-RBW)		1PC
7 SMALL BOLT (Ø 1/4 "X38mm-RBW)		6PCS	8 SMALL LOCK WASHER (Ø 1/4 "-RBW)		12PCS
9 SMALL FLAT WASHER (Ø 1/4 "-RBW)		12PCS			

ASSEMBLY INSTRUCTIONS

STEP 1

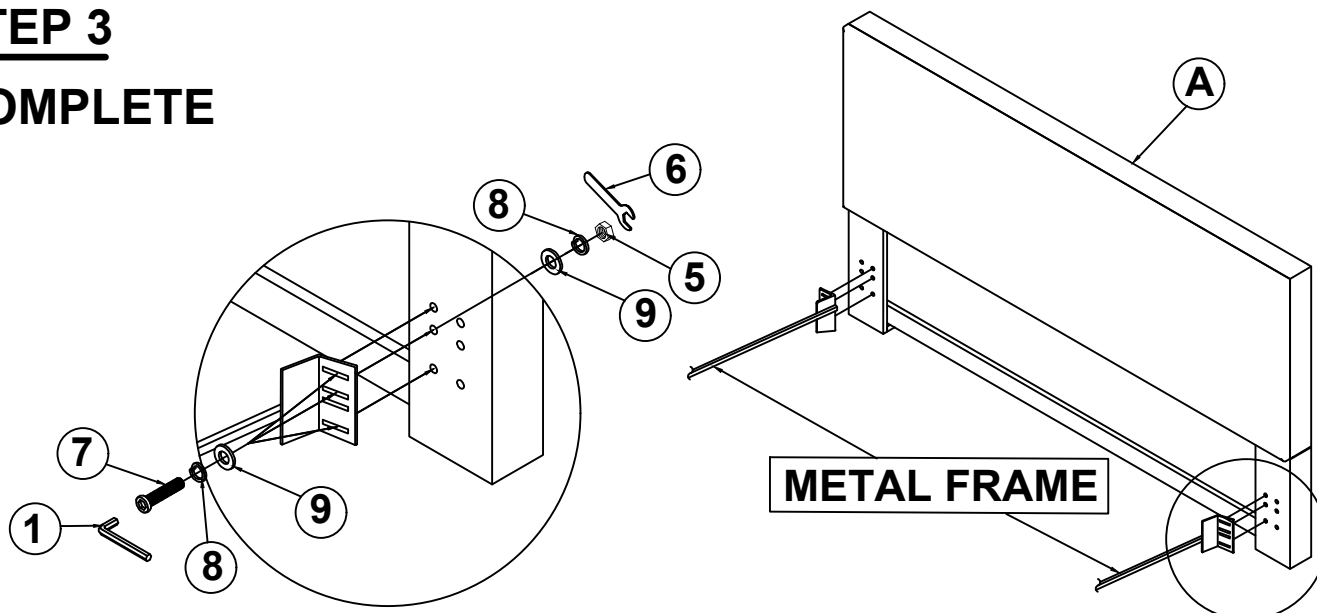


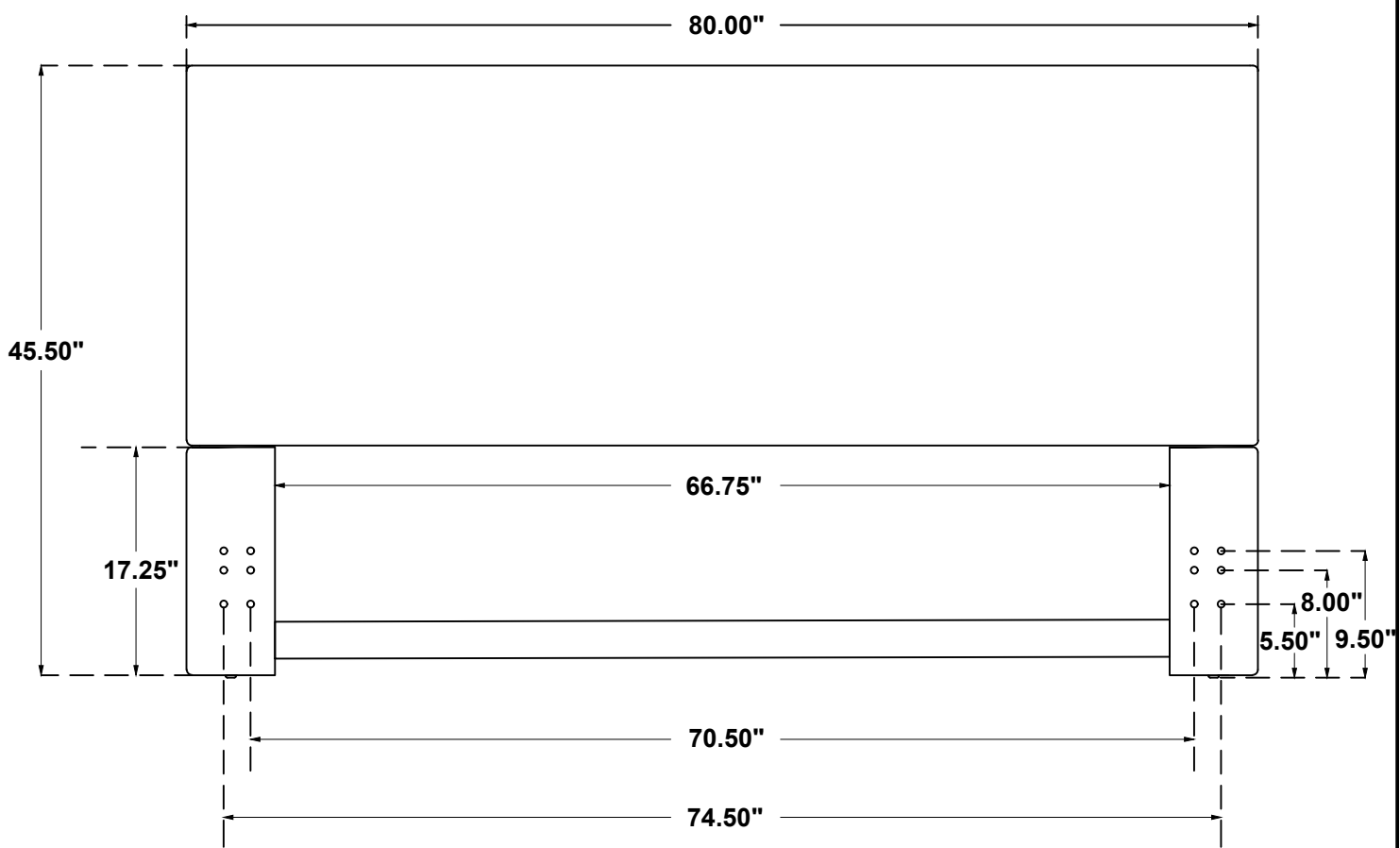
STEP 2



STEP 3

COMPLETE





Note:Dimension tolerance±5%