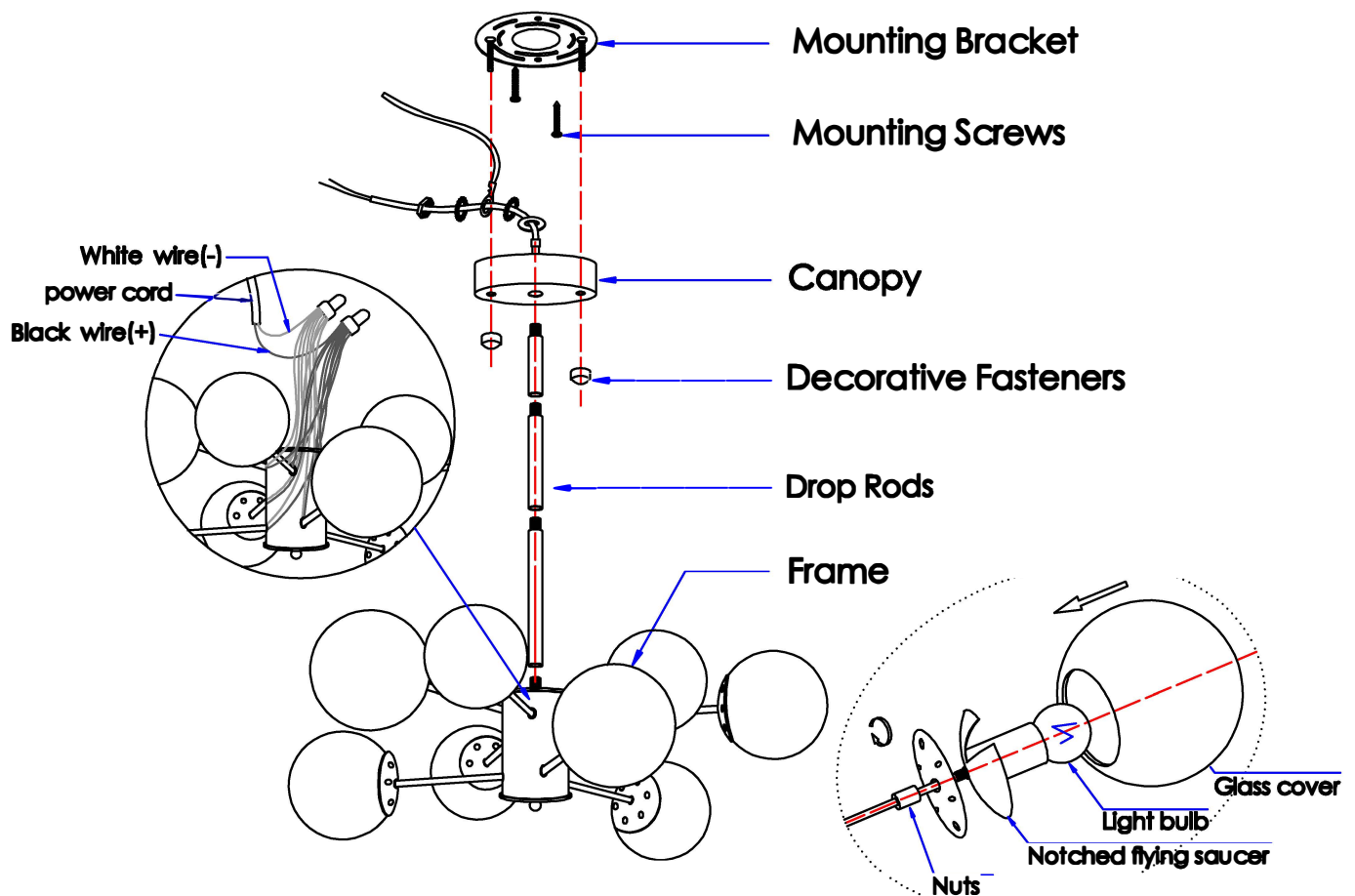


INSTALLATION AND SAFETY INSTRUCTIONS



FOR YOUR SAFETY WARNING

Be sure the electricity to the wires you are working on is shut off. Either the fuse is removed or the circuit breaker is shut off.

GENERAL

You don't need special tools to install this fixture. Be sure to follow the steps in the order given. Under no circumstances should a fixture be hung on house electrical wires, nor should a swag type fixture be installed on a ceiling which contains a radiant type heating system. Read instructions carefully. If you are unclear as to how to proceed, consult a qualified electrician. NOTE: Proper wiring is essential for the safe operation of this fixture.

INSTALLATION

Step 1. Secure Mounting Bracket to ceiling junction box using Mounting Screws

Step 2. Measure desired fixture height. Once determined, thread fixture wire through selected Drop rods and secure to the frame. Thread wires and rods through Canopy Secure using the nuts and washers. (Note: Copper ground wire should be placed between two lock washers.)

Step 3. Screw all the pull rods into the hole of the frame, tighten with hexagon nuts (Using the prepared Wrench). Thread fixture wire through the Pull rods to the Frame. Parallel all the black positive wires from the Pull rods with the positive wire of the Power cord, and all the white negative wires with the negative wire of the Power cord, wrap with the electrical tape. Then tuck all wires carefully into the Frame.

Step 4. 1. Connect black fixture wire from canopy to black supply wire and white fixture wire to white supply wire using wire caps (provided). Wrap with electrical tape.

2. Connect ground wire from canopy with ground wire from canopy using a wire cap. Wrap with electrical tape for a more secure connection. If house does not have ground wire, attach grounding wire to green grounding screw marked GND. (WARNING: Never connect grounding wire to black or white power supply wires. It is imperative that the outlet box in your home be properly grounded.)

Step 5. Place Canopy over Mounting Bracket and secure using Decorative Fastener. Connect the Drop rods to the frame.

Step 6. Install the bulb. Then install the Glass cover to the Notched flying saucer, tighten with nuts. Assembly complete.

CLEANING

To clean, wipe fixture with a soft cloth. Clean glass with a mild soap. Do not use abrasive materials such as scouring pads or powders, steel wool or abrasive paper