

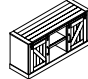



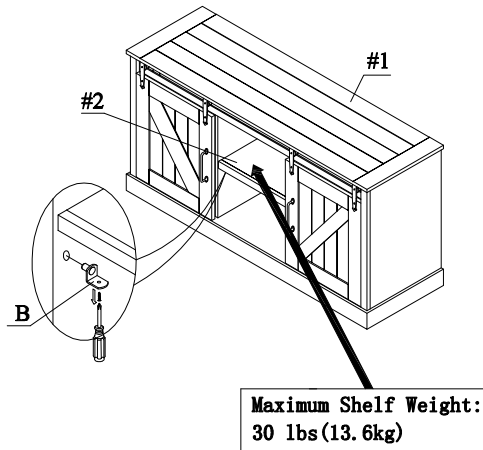
## SET-UP INSTRUCTIONS FOR CREDENZA/CONSOLE

MISSING A PART? QUESTIONS? NEED ASSISTANCE? WE HAVE THE ANSWERS		
NO:	Hardware List	Q'TY
A	 Anti-tip hardware kit	2 PCS
B	 Shelf Holder	12 PCS

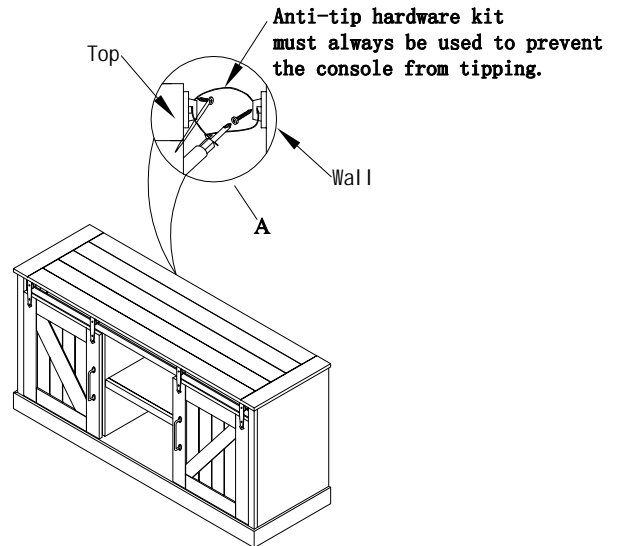
NO:	Parts List	Q'TY
#1	 Cabinet	1 PC
#2	 Shelf	3 PCS

### STEP 1

Shelf is screwed in place for shipping, use phillips head screwdriver to remove screws from shelf pins. Four screws per shelf. Refer to the drawing below:



### STEP 2 Anti-tip hardware kit










### CAUTION!


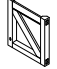
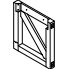


This cabinet is intended for use only with products and maximum weights shown on this label. Use with other products or products heavier than maximum weights shown below may result in instability causing possible injury.

### CARING FOR YOUR FURNITURE

This To Care for your furniture, wipe with a soft dry cloth. Microfiber cloths are recommended. Use of furniture polishes are not necessary. Should you choose to use polishes, test in an unnoticeable area first. Using solvents of any kind on your furniture may damage your furniture's finish. Never use water to clean your furniture as it may damage the finish. Use coasters to protect the surface from liquids. If your furniture becomes scratched or marred, furniture touch up pencils come in a variety of colors and are available in most hardware stores and can be used to repair minor scratches. Avoid placing furniture directly near heat or air conditioning outlets. Exposure to extreme temperature variations can damage any fine wood furniture, including variations caused by humidifiers, heat vents and fire places.

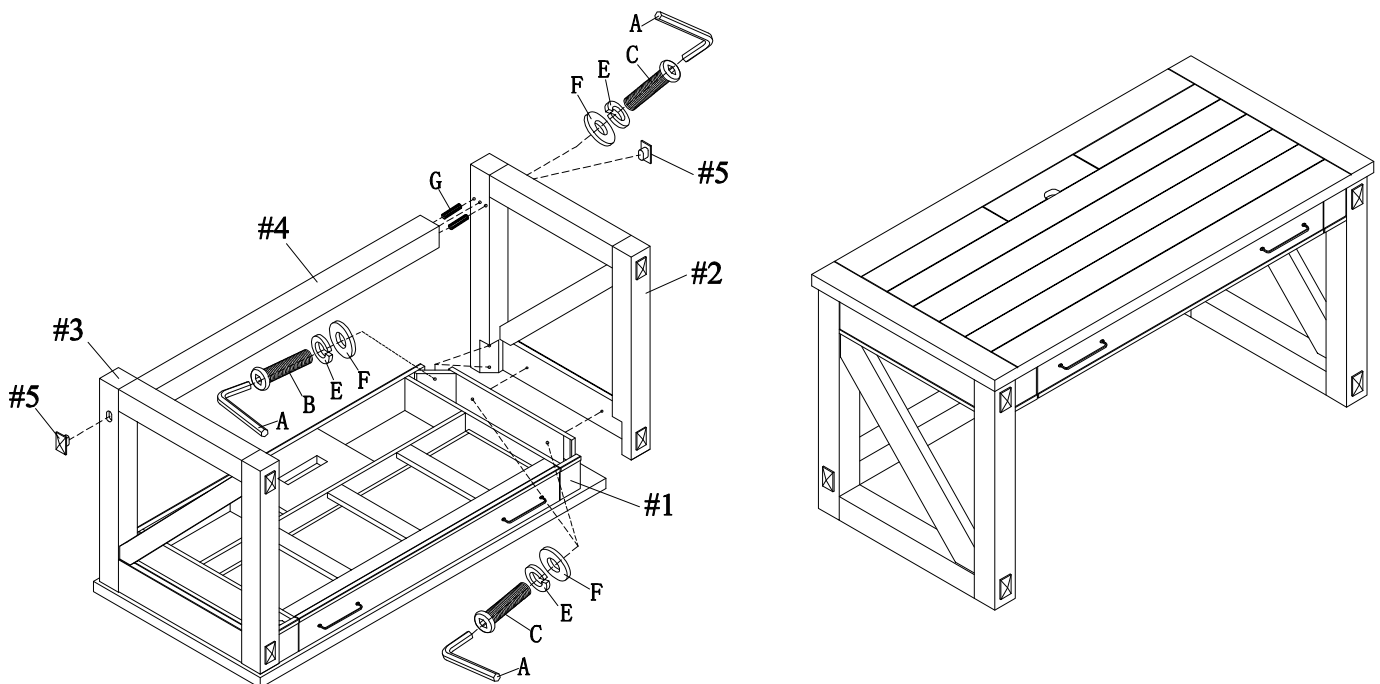
## SET-UP INSTRUCTIONS FOR WRITING TABLE

MISSING A PART? QUESTIONS? NEED ASSISTANCE? WE HAVE THE ANSWERS		
N0:	Hardware List	Q'TY
A	 Allen wrench	1 PC
B	 Bolt 5/16"*2-1/4"(57mmL)	8PCS
C	 Bolt 5/16"*3"(76mmL)	2PCS
D	 Bolt 5/16"*1-1/8"(28mmL)	4PCS
E	 Lock washer	14PCS
F	 Flat washer	14PCS
G	 Wood dowel	4PCS

N0:	Parts List	Q'TY
#1	 Top	1 PC
#2	 Left side panel	1 PC
#3	 Right side panel	1 PC
#4	 Back Cross Spanner	1 PC
#5	 Block	2 PCS

### ASSEMBLY INSTRUCTIONS:



Place table top (#1) upside down on a soft clean cloth. Attach leg (#2) into the corresponding corner of writing table top. Secure each leg with bolt (B)(C) through Lock Washer (E) and Flat Washer (F) through the hole located at each corner and into the leg. Fasten the Bolts with Allen Wrench(A)





### CARING FOR YOUR FURNITURE

This To Care for your furniture, wipe with a soft dry cloth. Microfiber cloths are recommended. Use of furniture polishes are not necessary. Should you choose to use polishes, test in an unnoticeable area first. Using solvents of any kind on your furniture may damage your furniture's finish. Never use water to clean your furniture as it may damage the finish. Use coasters to protect the surface from liquids. If your furniture becomes scratched or marred, furniture touch up pencils come in a variety of colors and are available in most hardware stores and can be used to repair minor scratches. Avoid placing furniture directly near heat or air conditioning outlets. Exposure to extreme temperature variations can damage any fine wood furniture, including variations caused by humidifiers, heat vents and fire places.

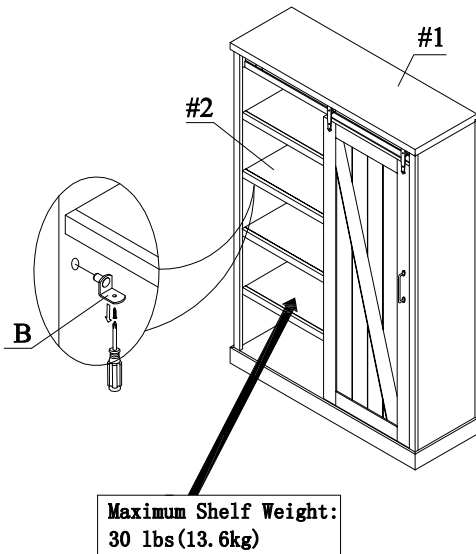
## SET-UP INSTRUCTIONS FOR DOOR BOOKCASE

MISSING A PART? QUESTIONS? NEED ASSISTANCE? WE HAVE THE ANSWERS			
N0:	Hardware List		Q'TY
A		Anti-tip hardware kit	2 PCS
B		Shelf Holder	24 PCS

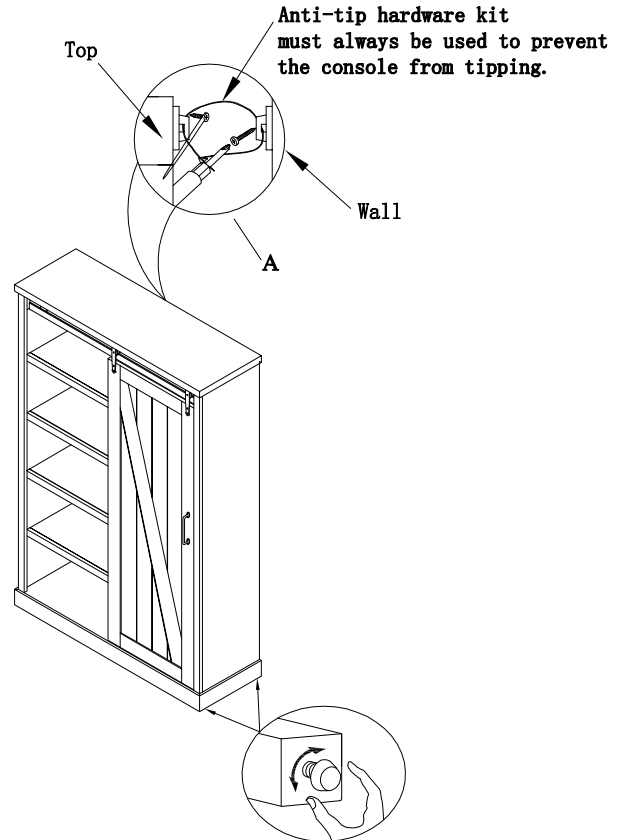
N0:	Parts List		Q'TY
#1		Cabinet	1 PC
#2		Shelf	6 PCS

### STEP 1

Shelf is screwed in place for shipping, use phillips head screwdriver to remove screws from shelf pins. Four screws per shelf. Refer to the drawing below:





### STEP 2 Anti-tip hardware kit





### CARING FOR YOUR FURNITURE

This To Care for your furniture, wipe with a soft dry cloth. Microfiber cloths are recommended. Use of furniture polishes are not necessary. Should you choose to use polishes, test in an unnoticeable area first. Using solvents of any kind on your furniture may damage your furniture's finish. Never use water to clean your furniture as it may damage the finish. Use coasters to protect the surface from liquids. If your furniture becomes scratched or marred, furniture touch up pencils come in a variety of colors and are available in most hardware stores and can be used to repair minor scratches. Avoid placing furniture directly near heat or air conditioning outlets. Exposure to extreme temperature variations can damage any fine wood furniture, including variations caused by humidifiers, heat vents and fire places.

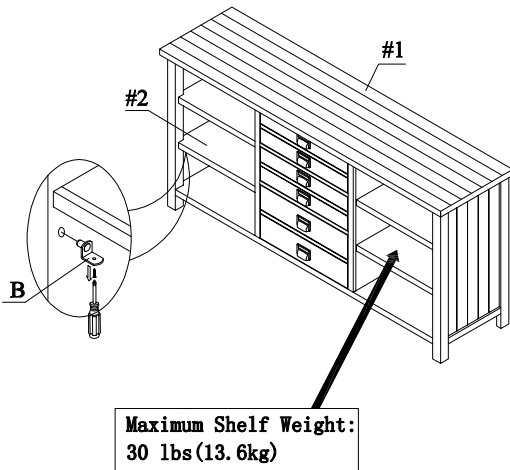
## SET-UP INSTRUCTIONS FOR HERITAGE CREDENZA

MISSING A PART? QUESTIONS? NEED ASSISTANCE? WE HAVE THE ANSWERS			
N0:	Hardware List		Q'TY
A		Anti-tip hardware kit	2 PCS
B		Shelf Holder	16 PCS

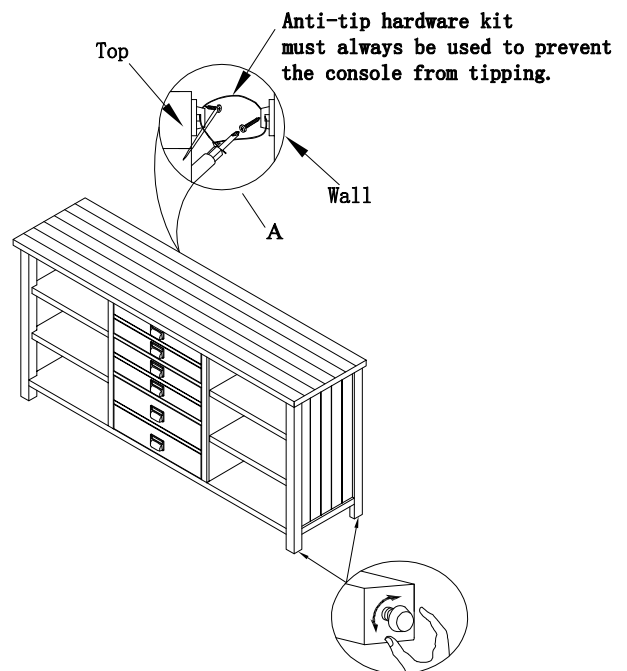
N0:	Parts List		Q'TY
#1		Cabinet	1 PC
#2		Shelf	4 PCS

### STEP 1

Shelf is screwed in place for shipping, use phillips head screwdriver to remove screws from shelf pins. Four screws per shelf. Refer to the drawing below:



### STEP 2 Anti-tip hardware kit





### CAUTION!



This cabinet is intended for use only with products and maximum weights shown on this label. Use with other products or products heavier than maximum weights shown below may result in instability causing possible injury.

### CARING FOR YOUR FURNITURE

This To Care for your furniture, wipe with a soft dry cloth. Microfiber cloths are recommended. Use of furniture polishes are not necessary. Should you choose to use polishes, test in an unnoticeable area first. Using solvents of any kind on your furniture may damage your furniture's finish. Never use water to clean your furniture as it may damage the finish. Use coasters to protect the surface from liquids. If your furniture becomes scratched or marred, furniture touch up pencils come in a variety of colors and are available in most hardware stores and can be used to repair minor scratches. Avoid placing furniture directly near heat or air conditioning outlets. Exposure to extreme temperature variations can damage any fine wood furniture, including variations caused by humidifiers, heat vents and fire places.

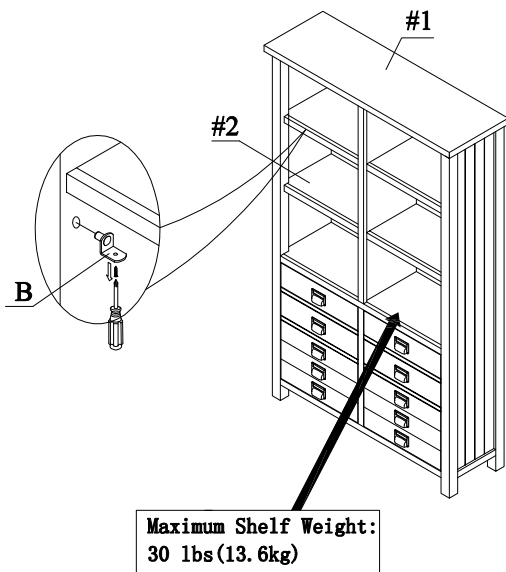
## SET-UP INSTRUCTIONS FOR HERITAGE BOOKCASE

MISSING A PART? QUESTIONS? NEED ASSISTANCE? WE HAVE THE ANSWERS			
NO:	Hardware List		Q'TY
A		Anti-tip hardware kit	2 PCS
B		Shelf Holder	24 PCS

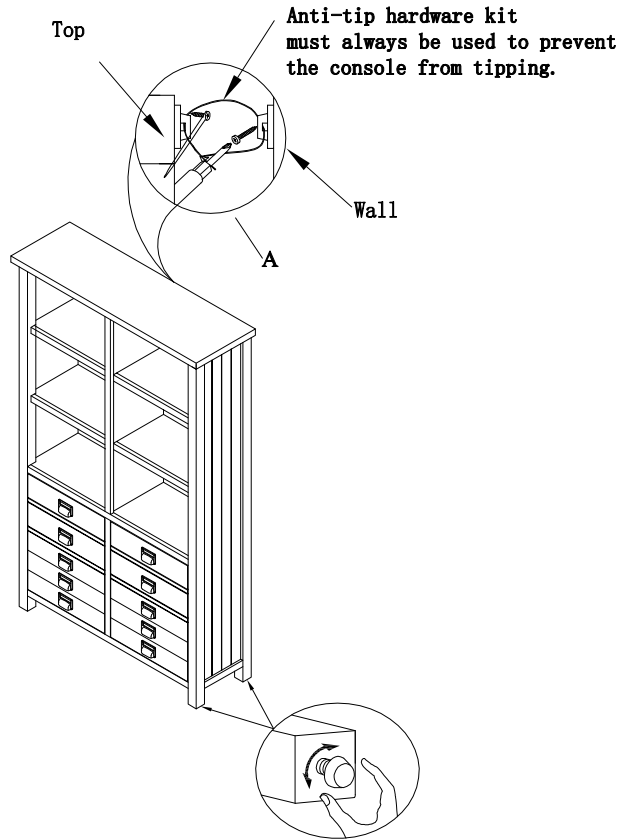
NO:	Parts List		Q'TY
#1		Cabinet	1 PC
#2		Shelf	6 PCS

### STEP 1

Shelf is screwed in place for shipping, use phillips head screwdriver to remove screws from shelf pins. Four screws per shelf. Refer to the drawing below:






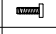

### STEP 2 Anti-tip hardware kit

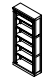




### CARING FOR YOUR FURNITURE

This To Care for your furniture, wipe with a soft dry cloth. Microfiber cloths are recommended. Use of furniture polishes are not necessary. Should you choose to use polishes, test in an unnoticeable area first. Using solvents of any kind on your furniture may damage your furniture's finish. Never use water to clean your furniture as it may damage the finish. Use coasters to protect the surface from liquids. If your furniture becomes scratched or marred, furniture touch up pencils come in a variety of colors and are available in most hardware stores and can be used to repair minor scratches. Avoid placing furniture directly near heat or air conditioning outlets. Exposure to extreme temperature variations can damage any fine wood furniture, including variations caused by humidifiers, heat vents and fire places.

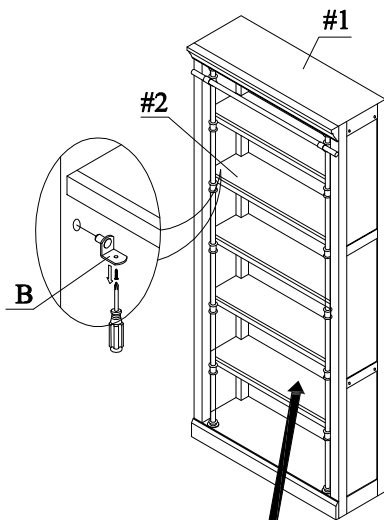
## SET-UP INSTRUCTIONS FOR TOULOUSE BOOKCASE

MISSING A PART? QUESTIONS? NEED ASSISTANCE? WE HAVE THE ANSWERS DO NOT RETURN TO COSTCO			
NO:	Hardware List		Q'TY
A		Anti-tip hardware kit	2 PCS
B		Shelf Holder	16 PCS
C		Allen wrench	1 PC
D		Bolt (1/4"*38mm)	4 PCS
E		Bolt (1/4"*19mm)	4 PCS

NO:	Parts List		Q'TY
#1		Cabinet	1 PC
#2		Shelf	4 PCS
#3		Wooden cap	8 PCS

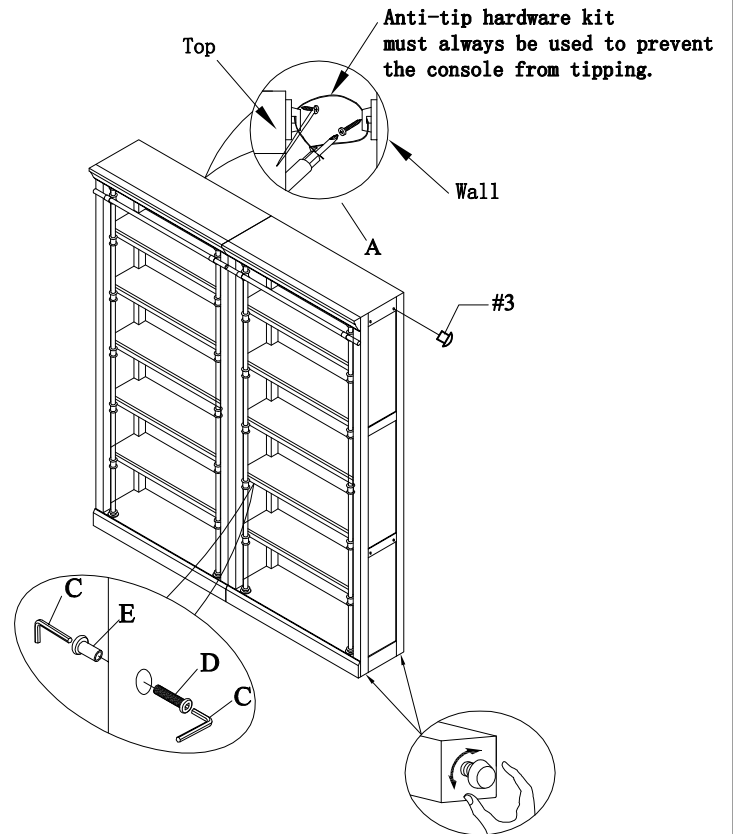
### STEP 1

Shelf is screwed in place for shipping, use phillips head screwdriver to remove screws from shelf pins. Four screws per shelf. Refer to the drawing below:



**Maximum Shelf Weight:  
30 lbs (13.6kg)**

### STEP 2 Anti-tip hardware kit



### CARING FOR YOUR FURNITURE

This To Care for your furniture, wipe with a soft dry cloth. Microfiber cloths are recommended. Use of furniture polishes are not necessary. Should you choose to use polishes, test in an unnoticeable area first. Using solvents of any kind on your furniture may damage your furniture's finish. Never use water to clean your furniture as it may damage the finish. Use coasters to protect the surface from liquids. If your furniture becomes scratched or marred, furniture touch up pencils come in a variety of colors and are available in most hardware stores and can be used to repair minor scratches. Avoid placing furniture directly near heat or air conditioning outlets. Exposure to extreme temperature variations can damage any fine wood furniture, including variations caused by humidifiers, heat vents and fire places.