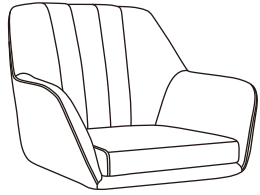

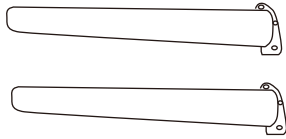



# ASSEMBLY INSTRUCTIONS

<p>Ax1</p> 	<p>Dx12</p> 
<p>Bx2 Long</p> 	<p>Ex1</p> 
<p>Cx2 Short</p> 