

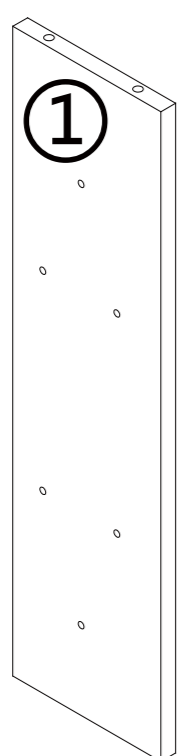
OPERATING MANUAL



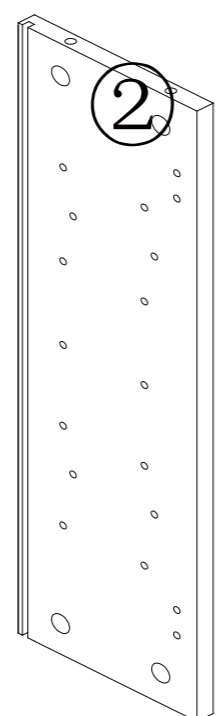
MEDICINE CABINET

01 / Parts List

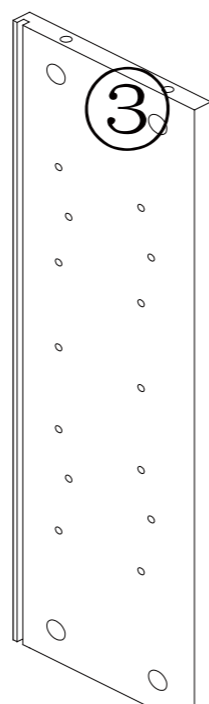
List of Parts



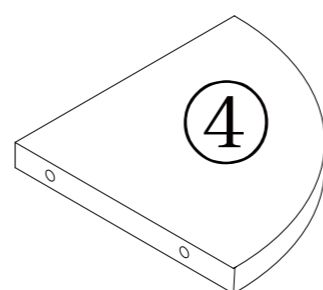
x2



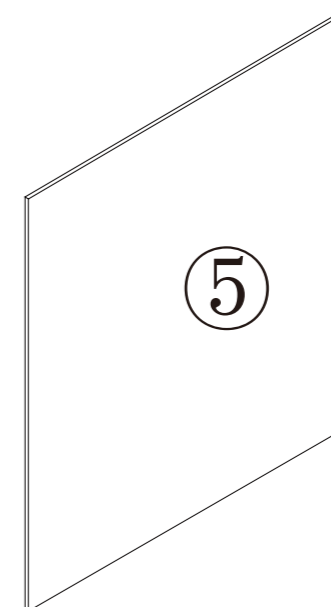
x1



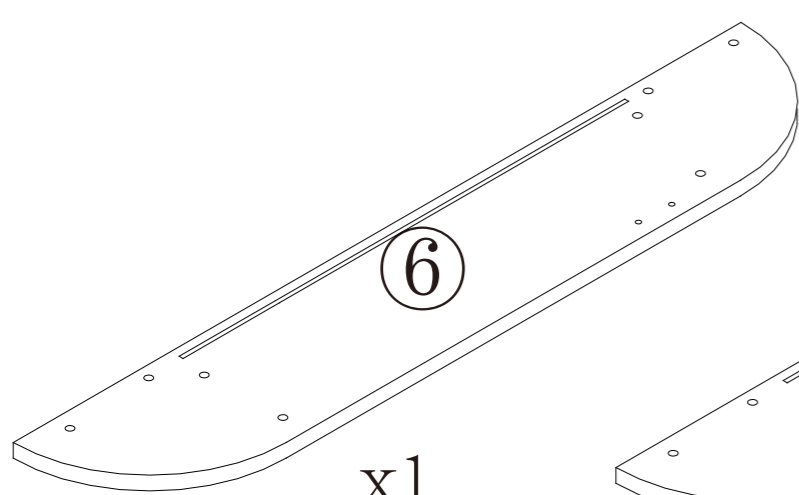
x1



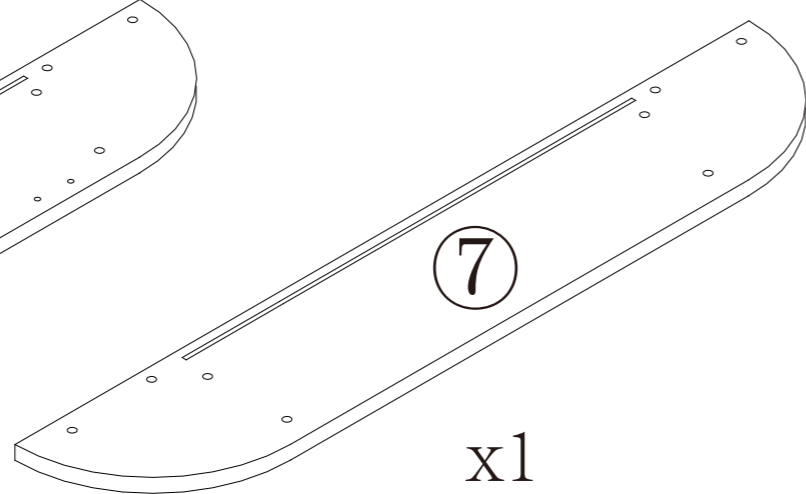
x4



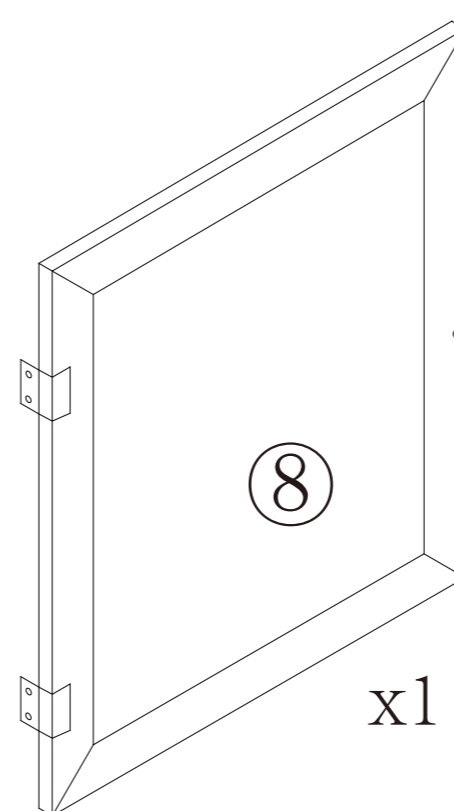
x1



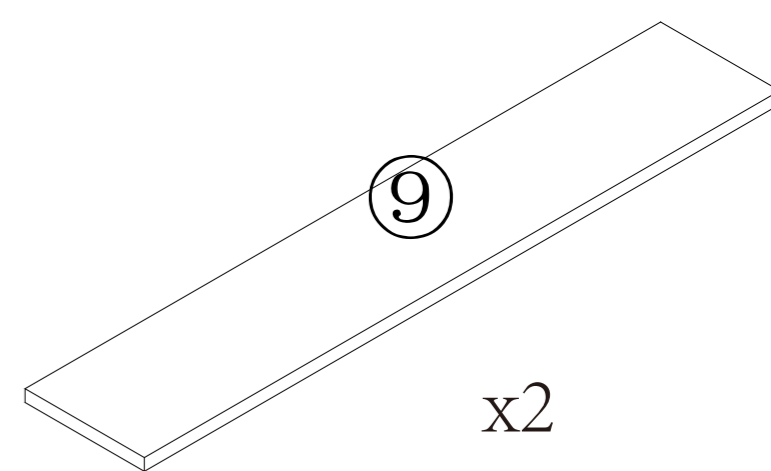
x1



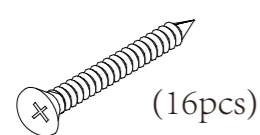
x1



x1



x2



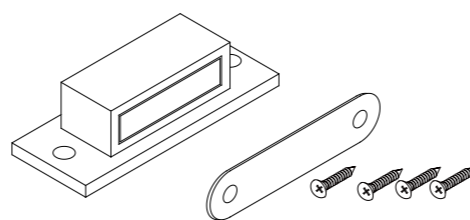
(16pcs)

A x1

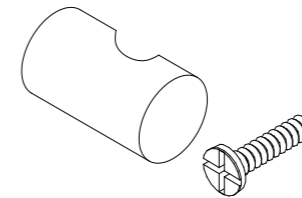


(8pcs)

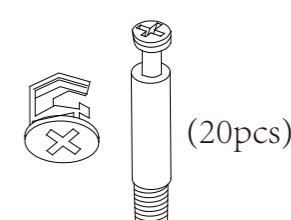
B x1



C x1

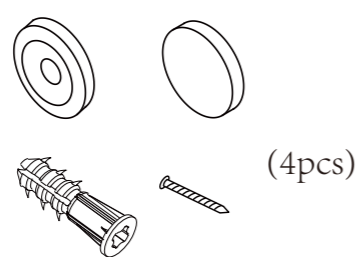


D x1



(20pcs)

E x1



(4pcs)

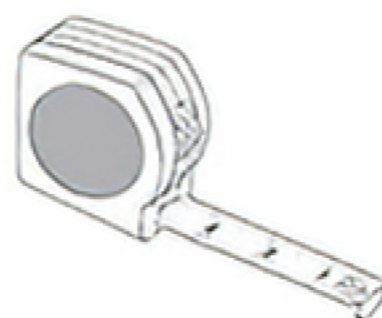
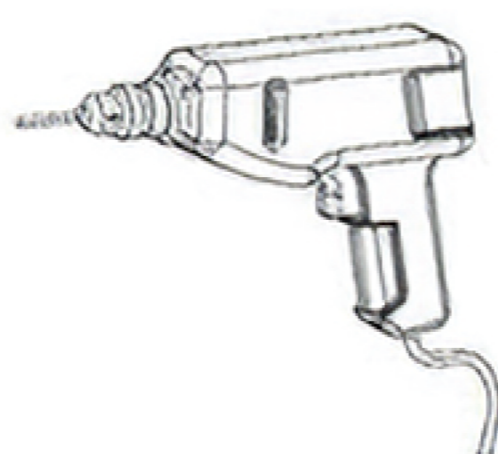
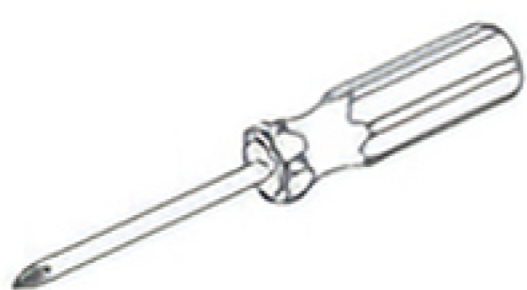
F x1



(4pcs)

G x1

Tools Needed



02 / Installation steps

1

Important

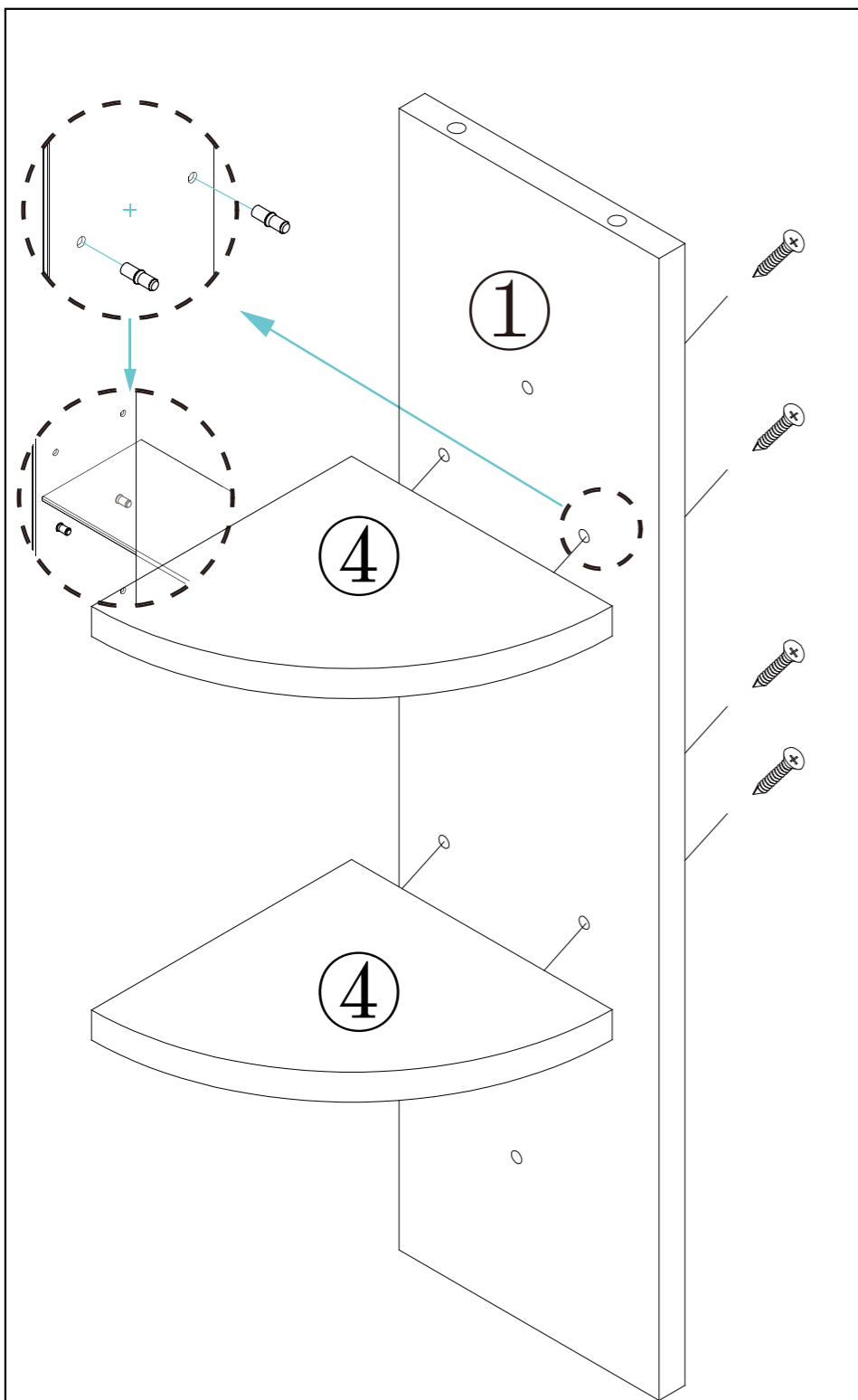
1. This product contains glass parts. Care must be taken when fitting or handling these parts to prevent personal injury or damage to the products; if the glass is broken, please stop using it and replace it from agent or manufacturer.
2. Ensure the mounting surface is dry and strong enough to bear four times the weight of luminaire for the safe fitting of this fixture; Ensure that current building regulations are adhered to at all times should an additional electrical supply be required;
3. Care must be taken before drilling fixing holes to avoid any existing wiring or pipework that may be concealed; Finish the installation as following steps:

Maintenance Cleaning

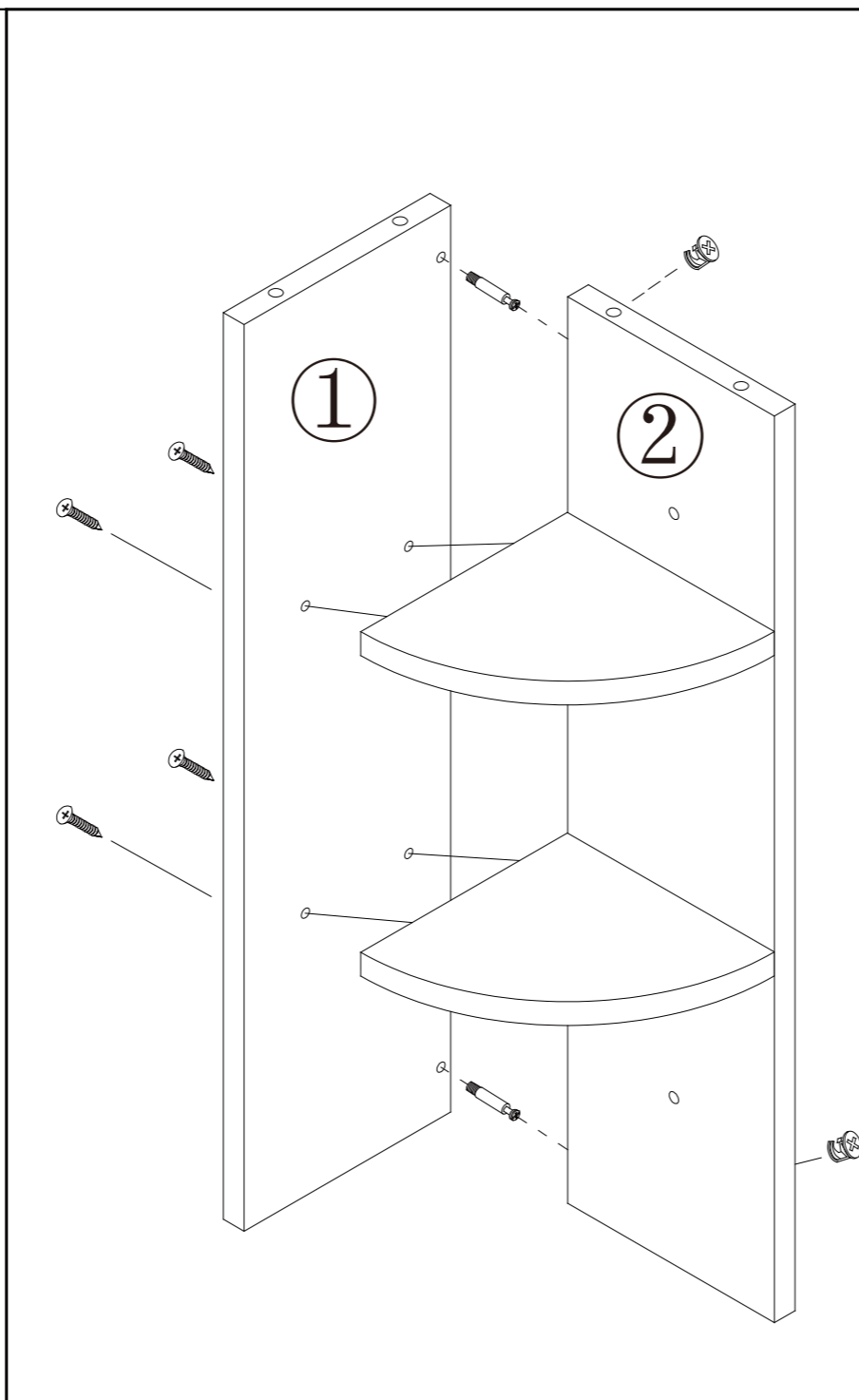
Cabinet(s) should only be cleaned with clean chamois leather moistened with warm water and given a final polishing buff with a soft, lint free cloth.

03 / Installation steps

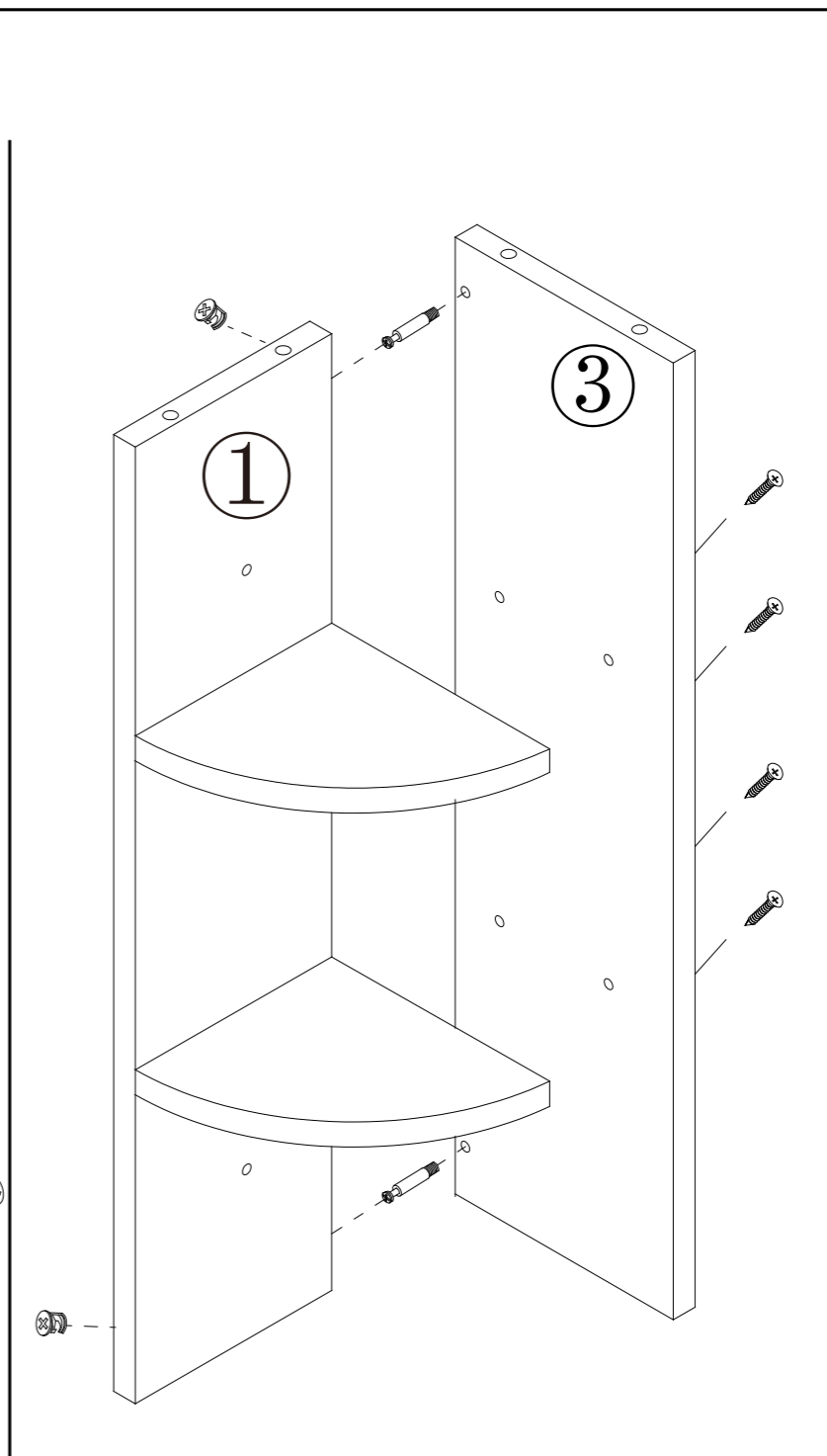
2



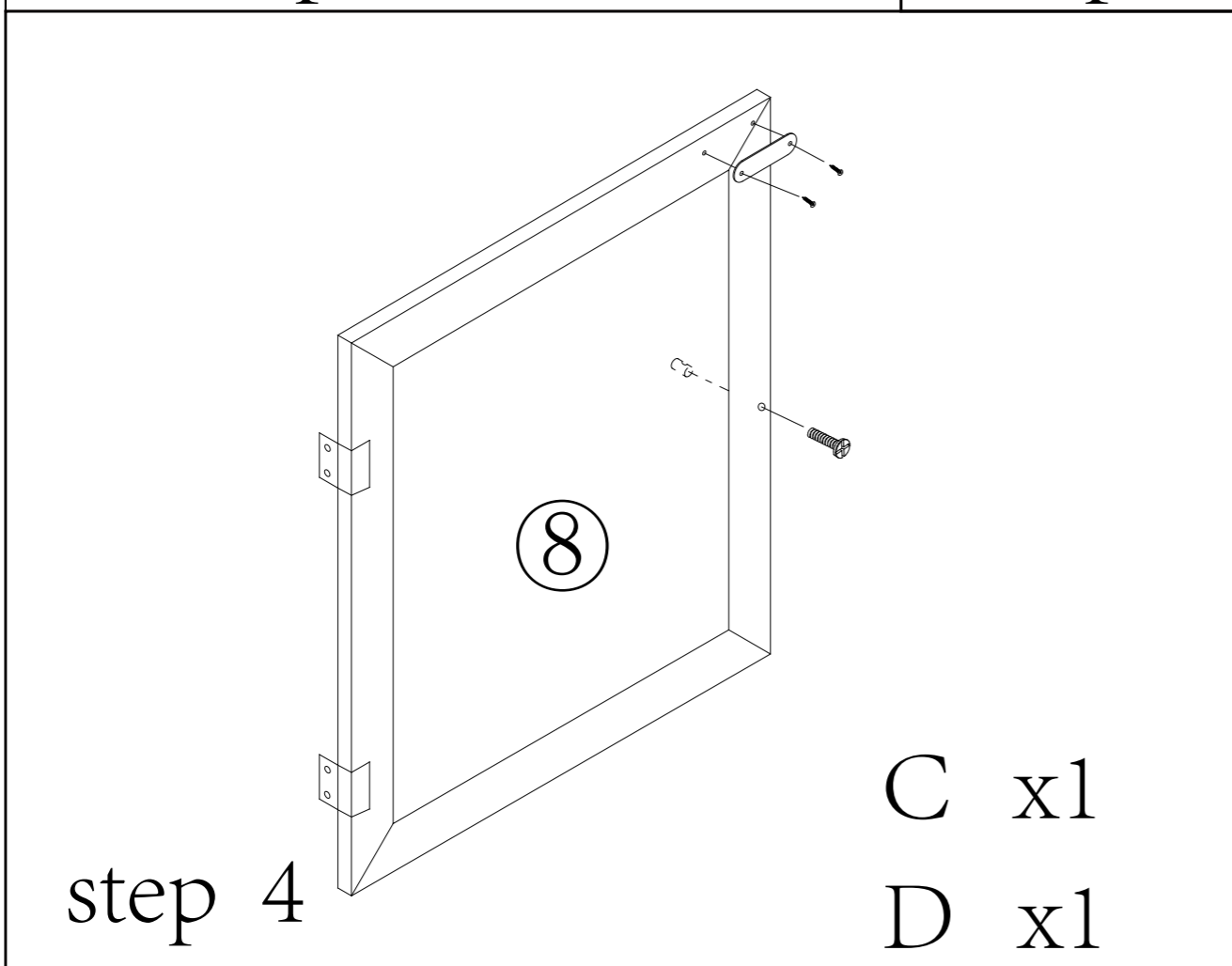
step 1 A x8



step 2

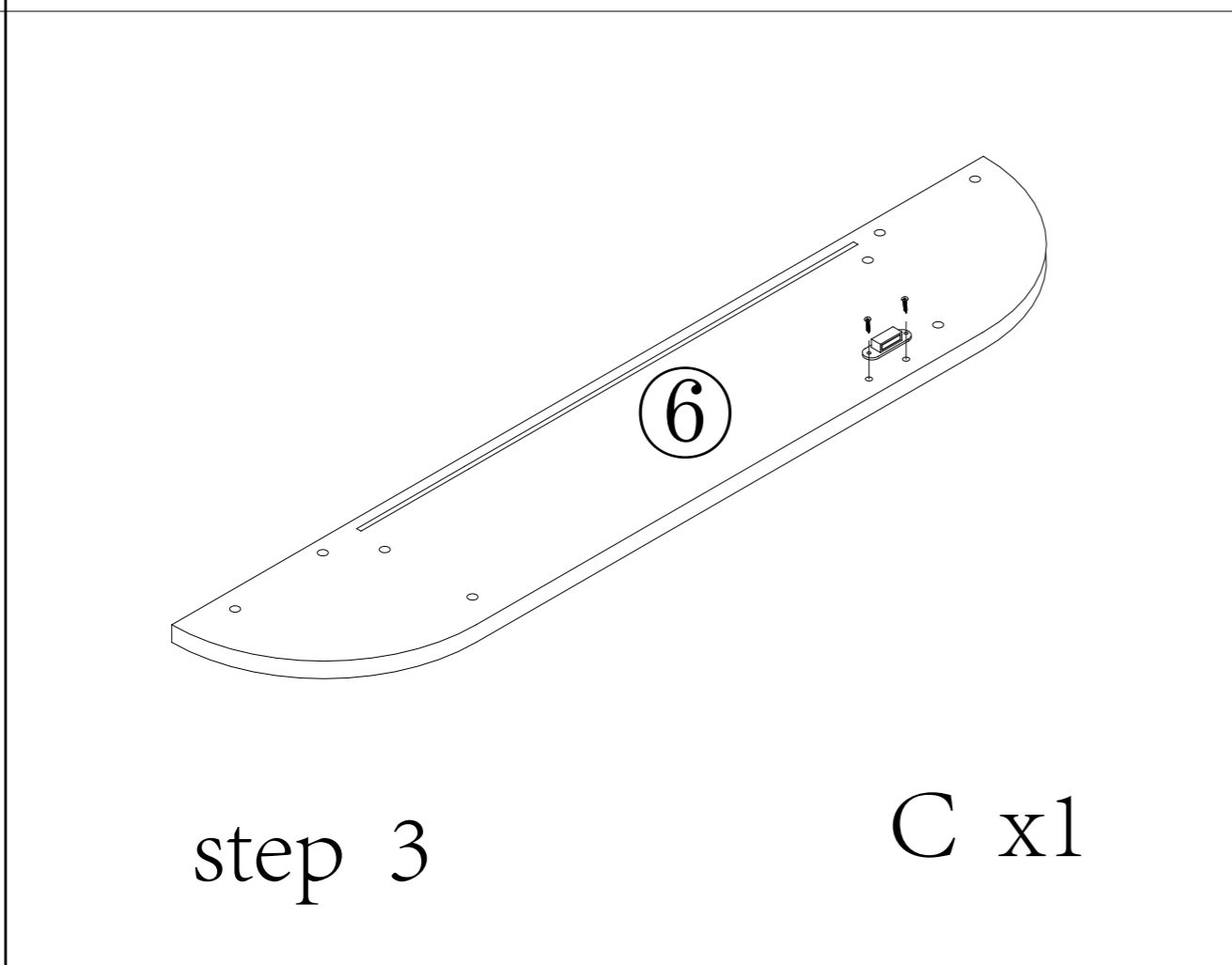


A x8
E x4



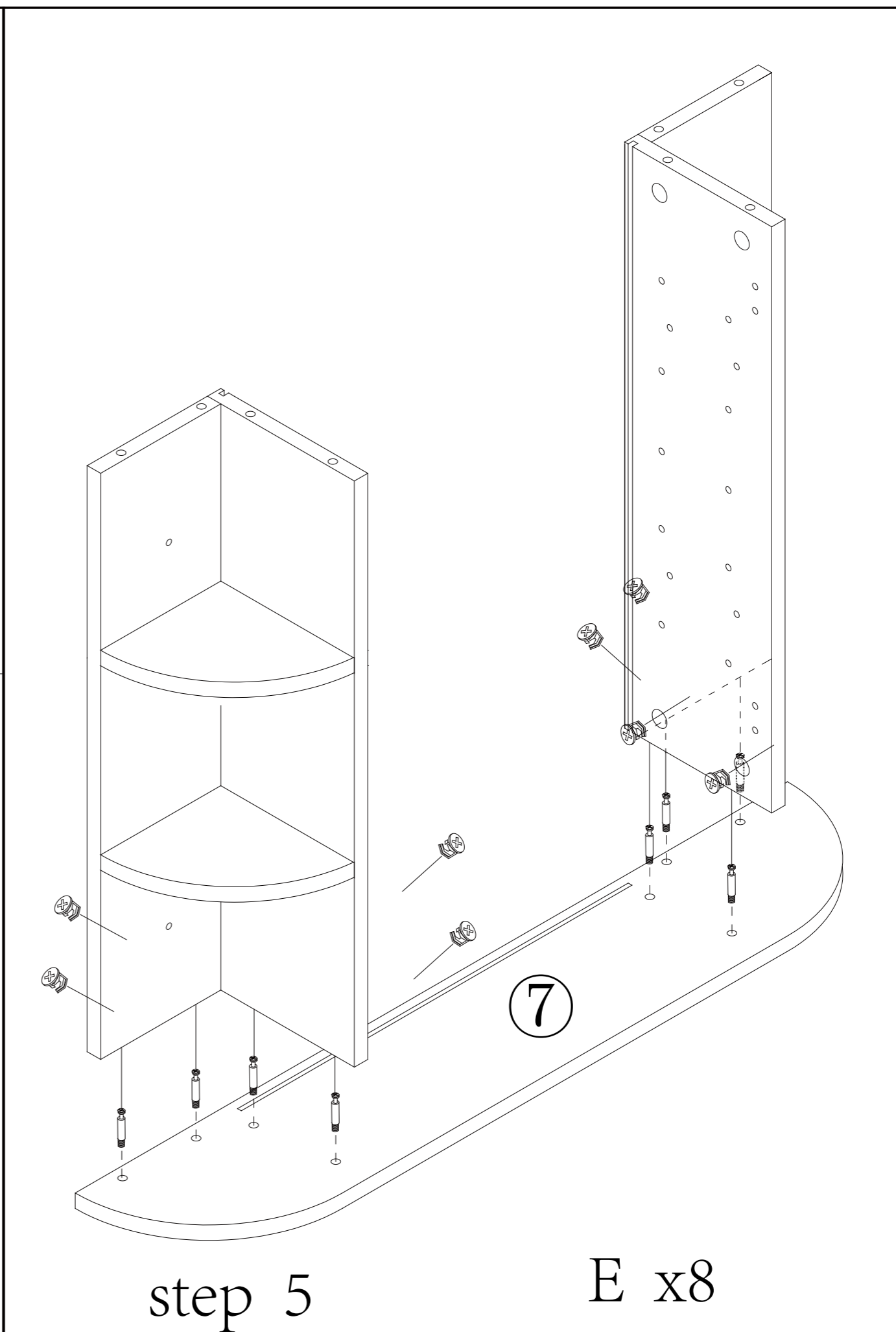
step 4

C x1
D x1



step 3

C x1

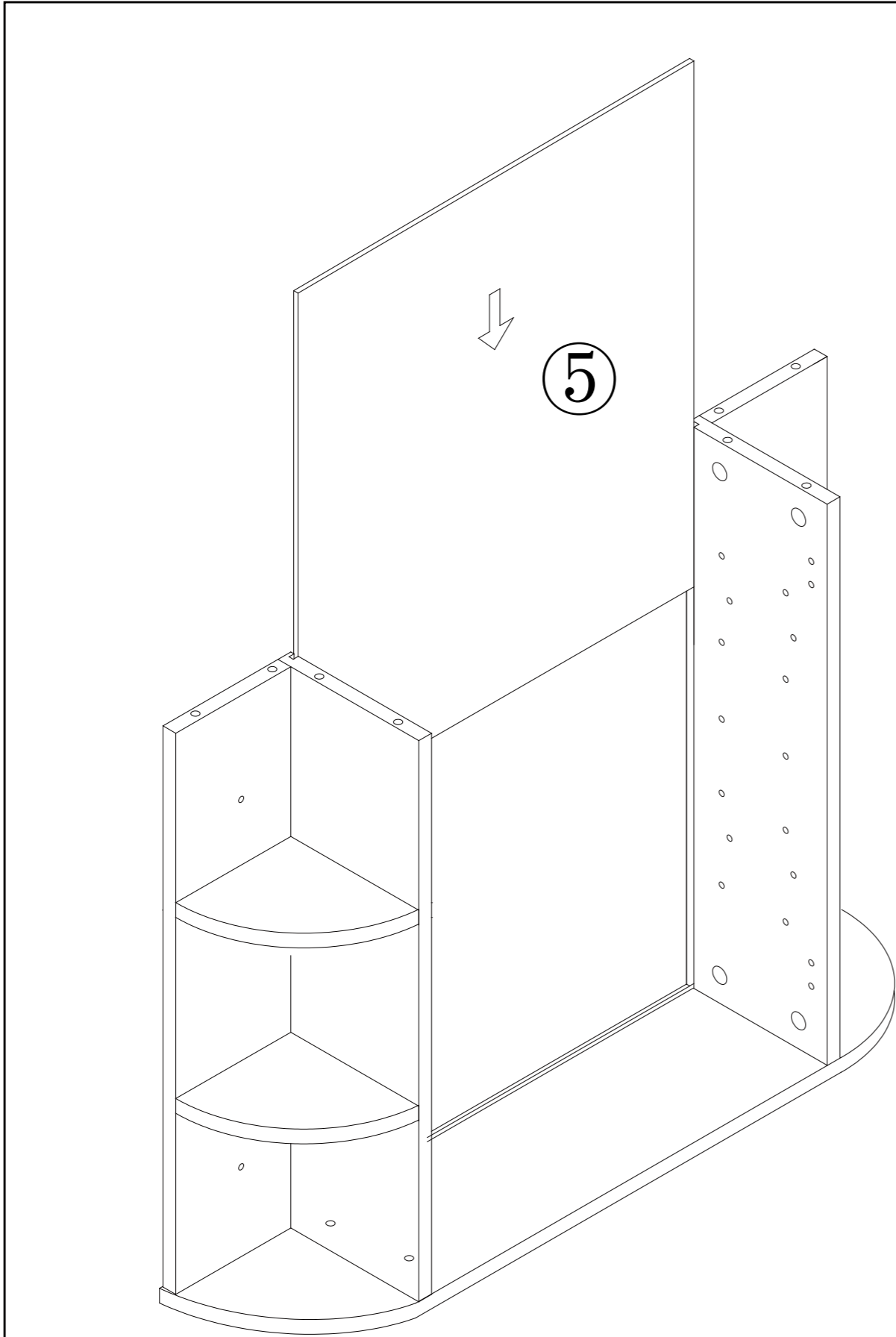


step 5

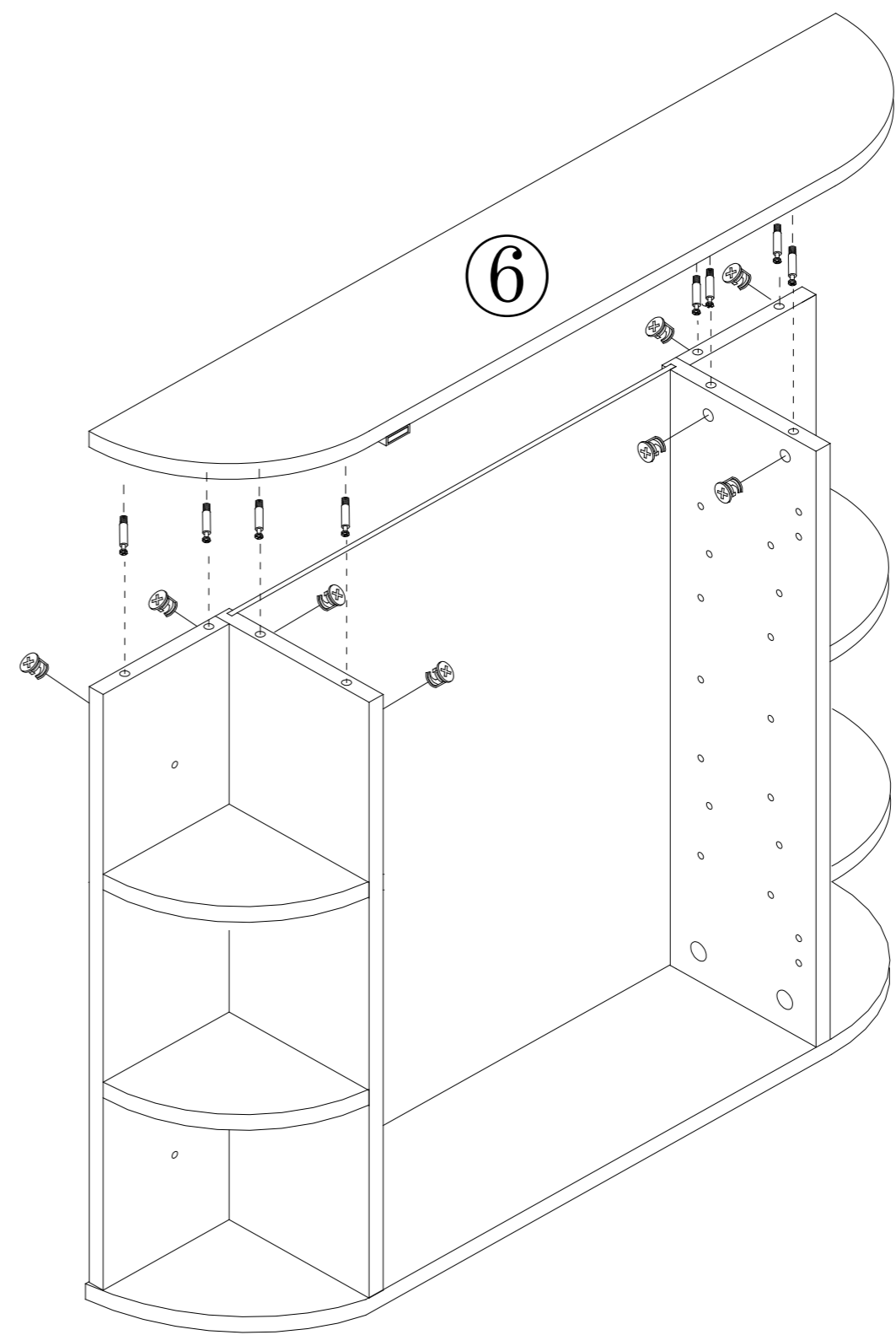
E x8

04 / Installation steps

3

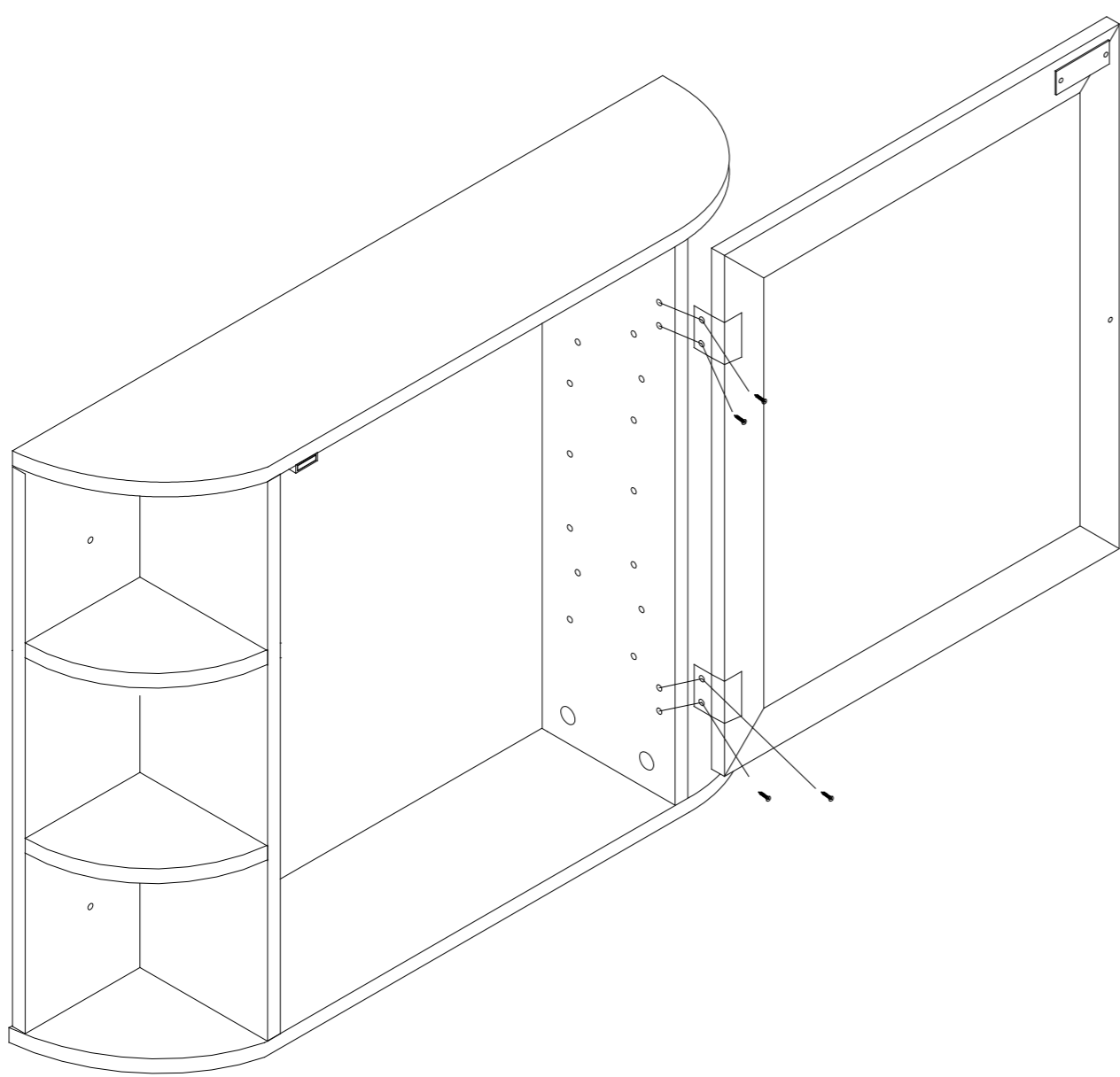


step 6



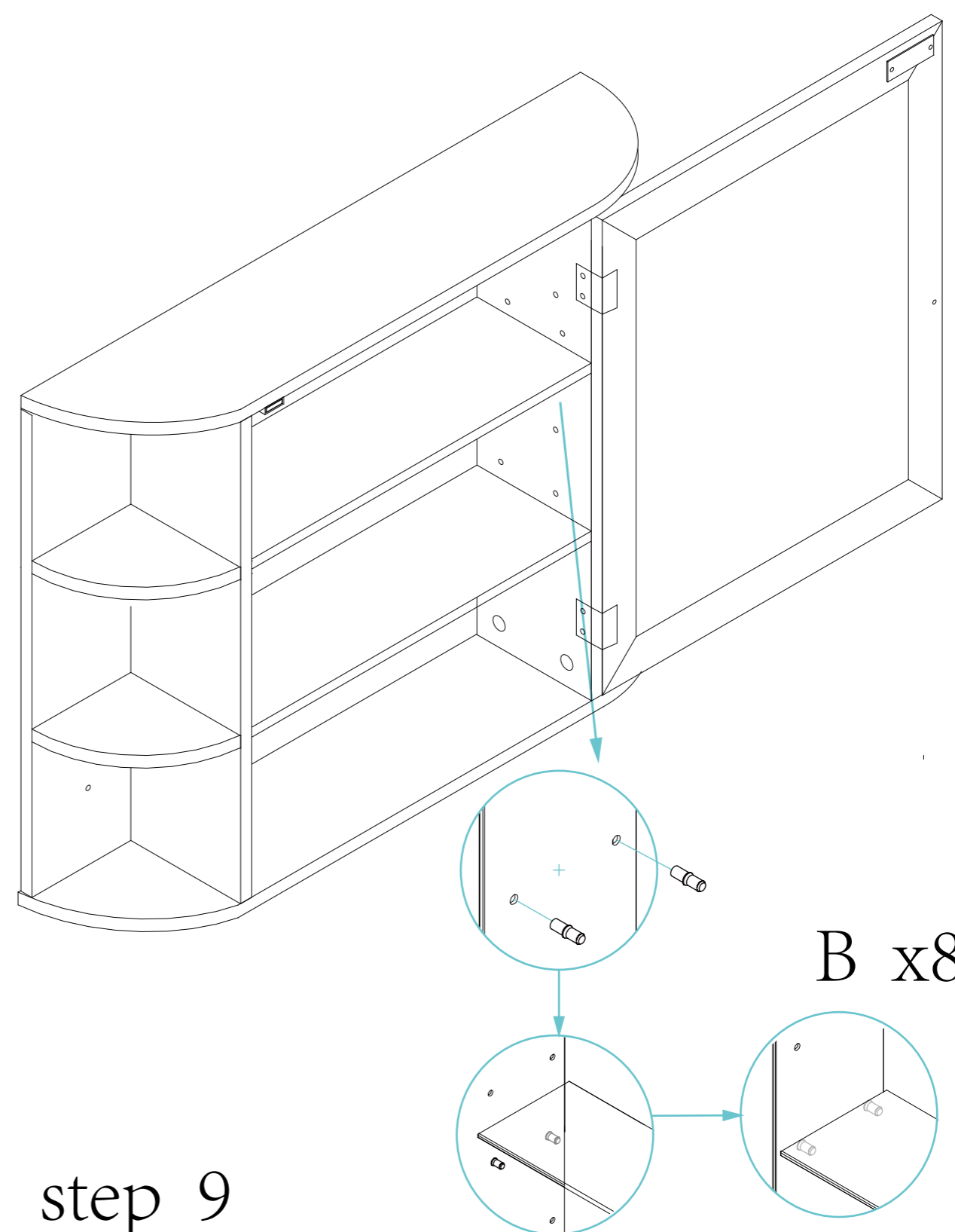
step 7

E x8



step 8

G x4



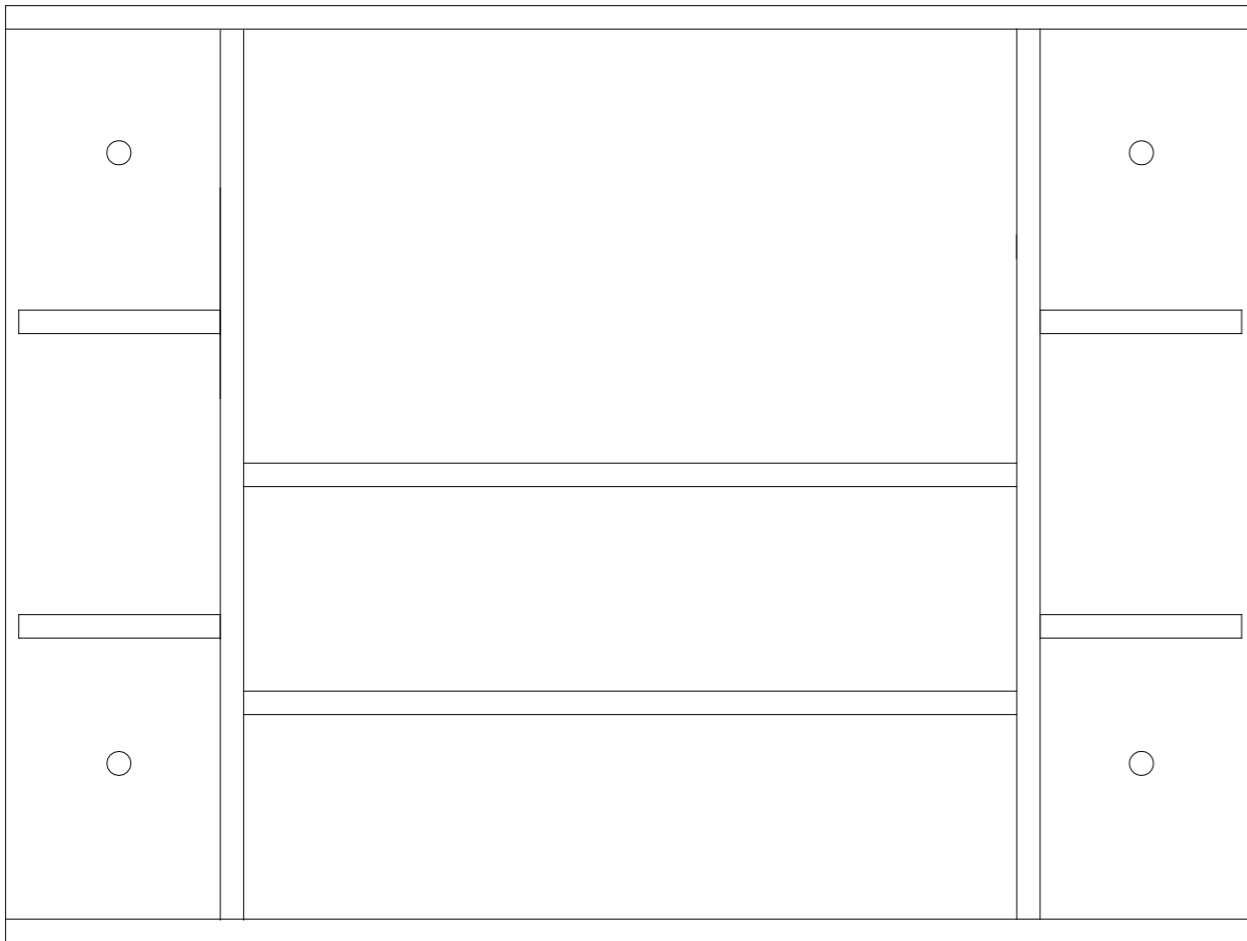
step 9

B x8

05 / Installation steps

4

Surface Installation

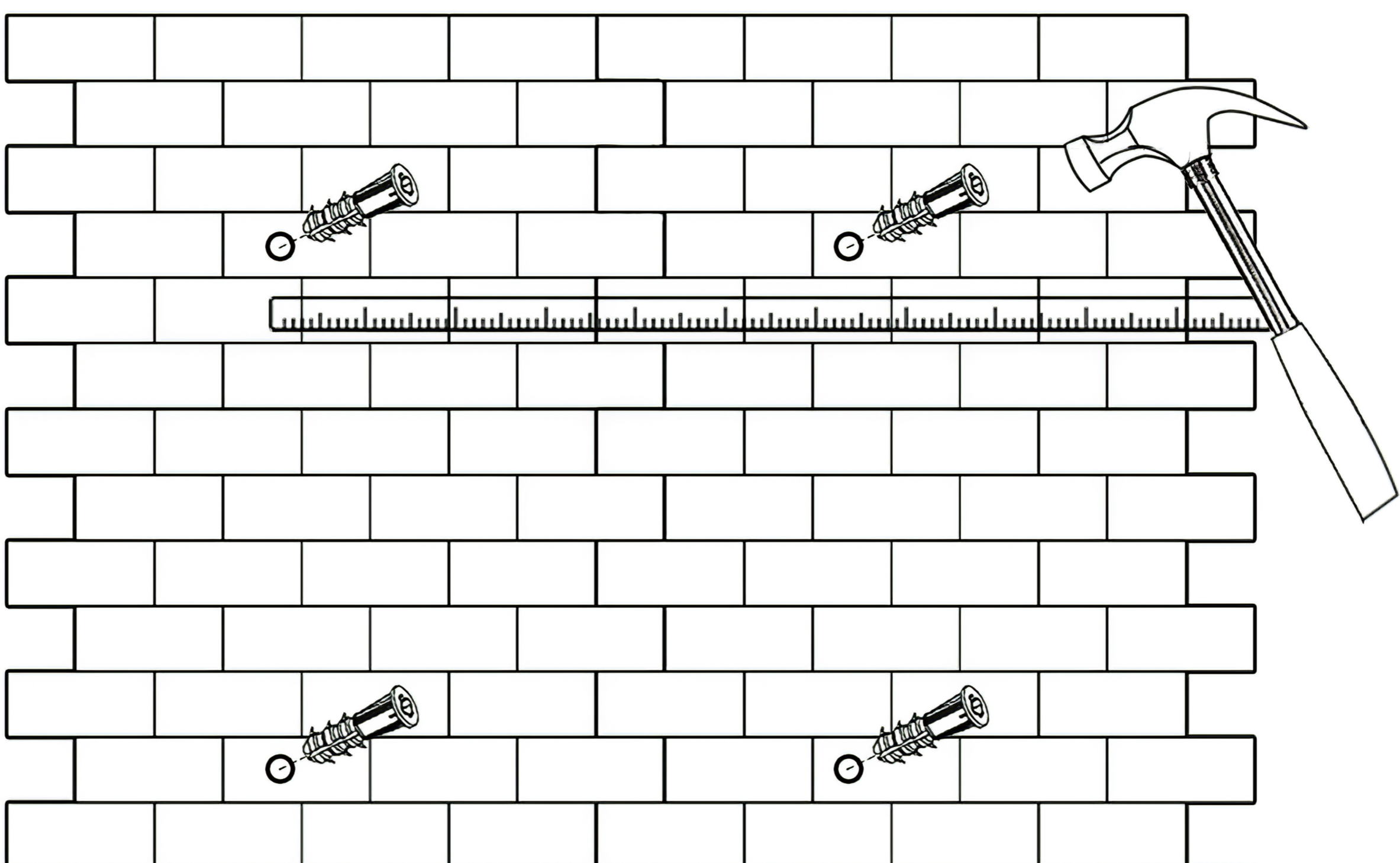


Step 1.

Open the doors and measure four (4) mounting holes.

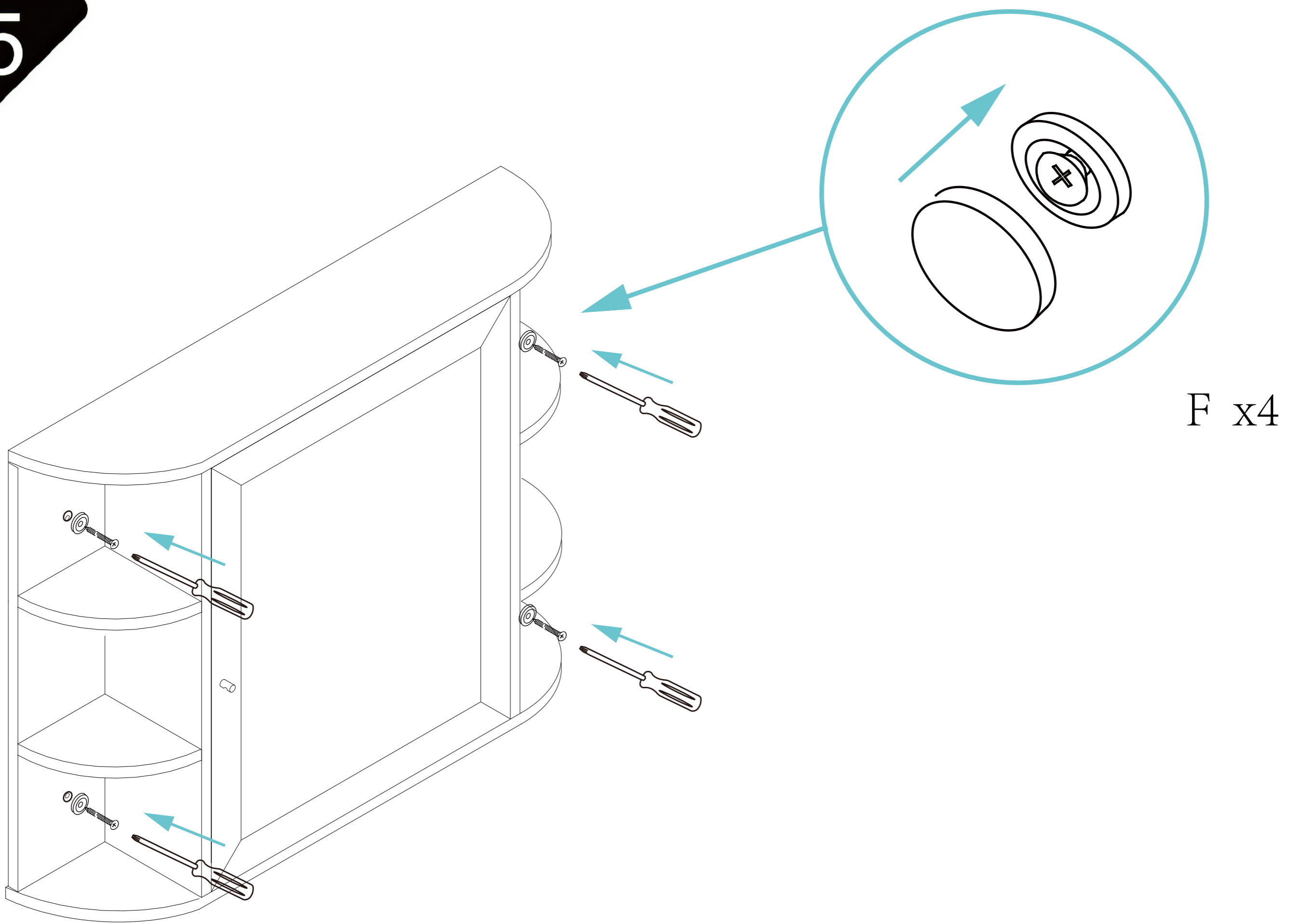
Step 2.

Mark four (4) mounting holes on the wall corresponding to the pre-drilled hole locations in the mounting bars on the inside back panel of the cabinet.



06 / Installation steps

5



Step 3.

Having the cabinet held by a helper, drive the mounting screws as supplied to secure the cabinet firmly against the mounting surface.