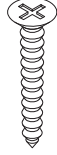
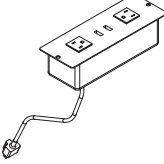
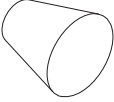
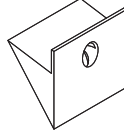

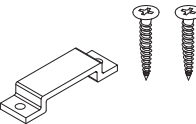
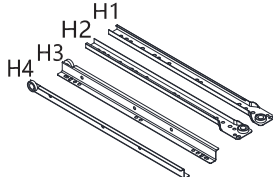

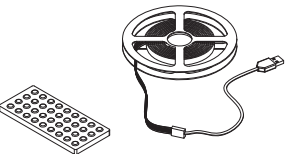

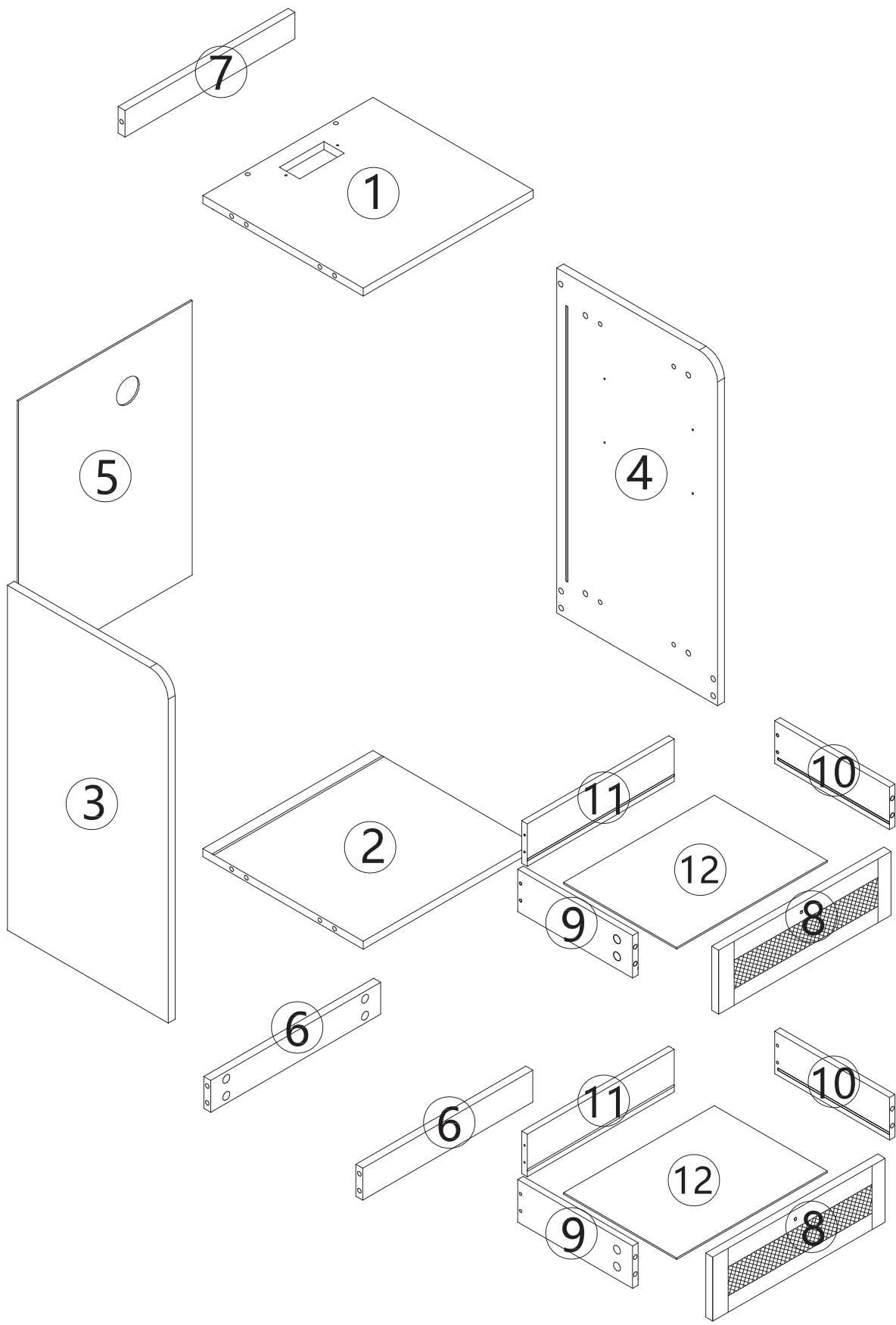


IMPORTANT, RETAIN FOR FUTURE REFERENCE: READ CAREFULLY

- ⚠ 1. Gather and organize all required parts prior to assembly.
- 2. Assemble on a flat, clean and soft surface.

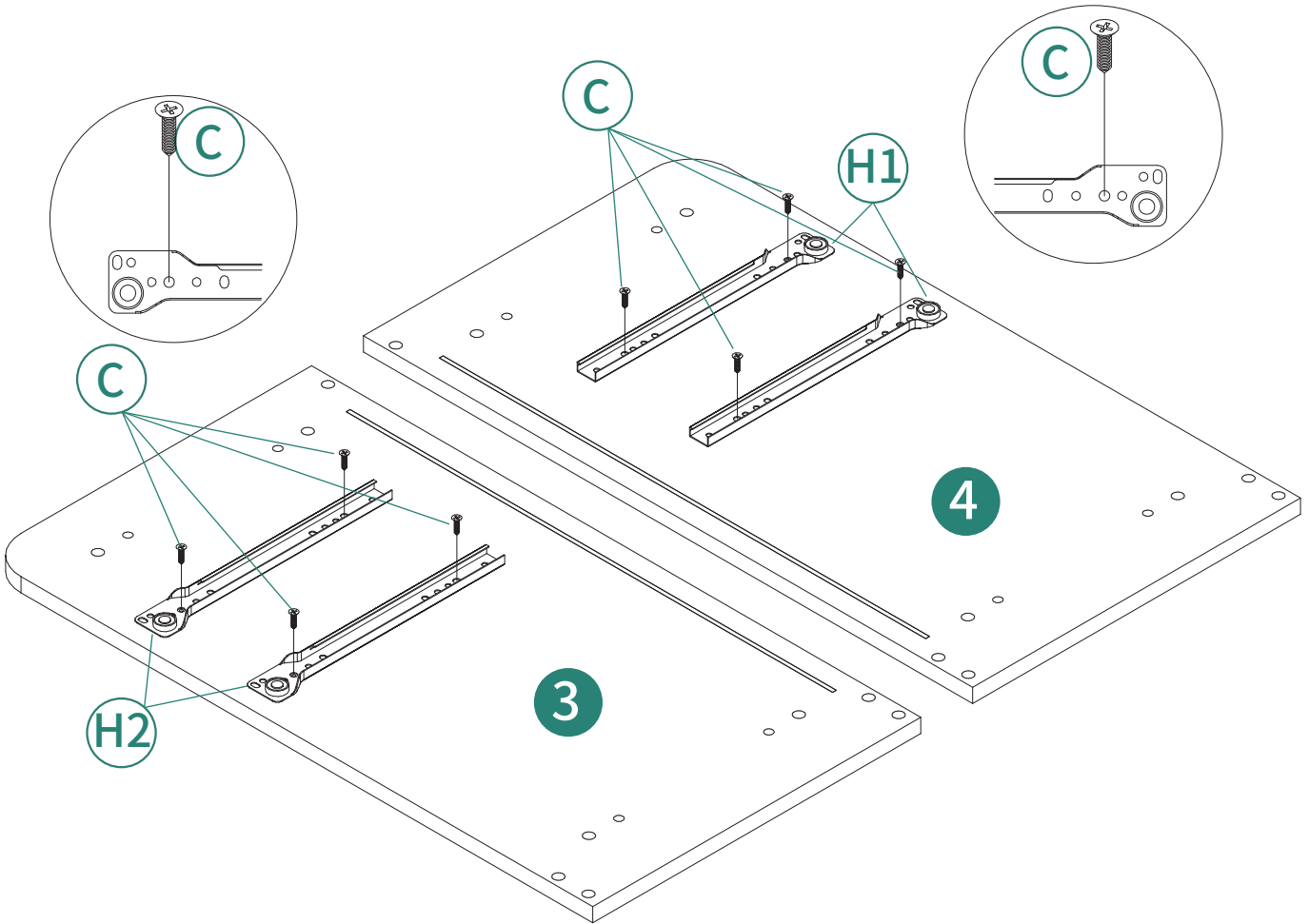
Item no.	Reference Image	Qty.	Item no.	Reference Image	Qty.
1		X1	9		X2
2		X1	10		X2
3		X1	11		X2
4		X1	12		X2
5		X1	A		X26
6		X2	B	 M8*40	X10
7		X1	C	 M3.5*14	X20
8		X2	D	 M3*14	X2

Item no.	Reference Image	Qty.	Item no.	Reference Image	Qty.
E	 M3.5*30	X8	J		X1
F		X2	K		X4
G		X2	L		X2
H		X2	M		X26
I		X1	N		X2



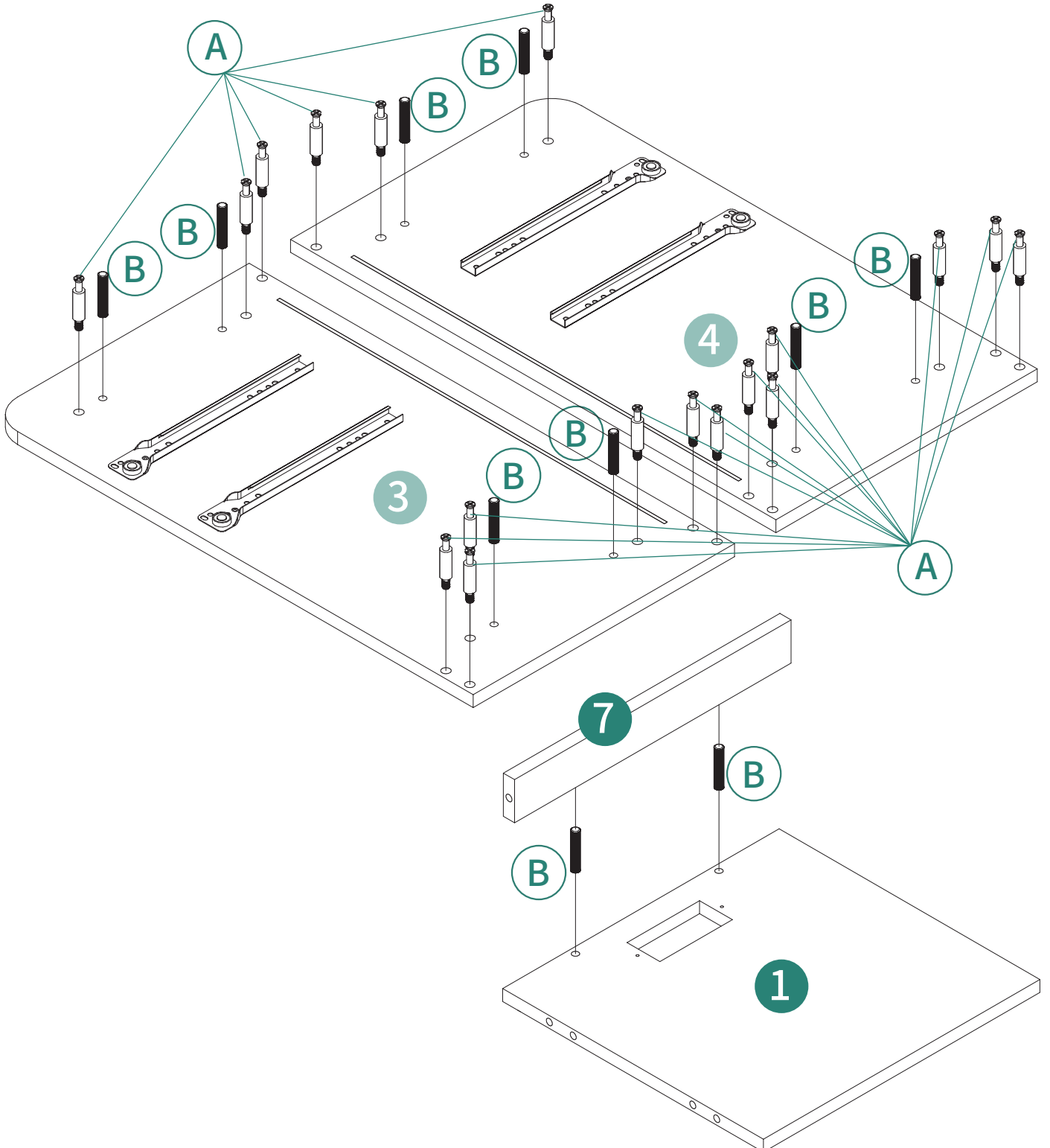
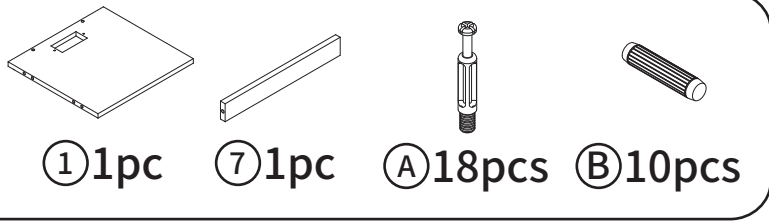
1

③ 1pc ④ 1pc ① 8pcs H2 H1
② 2pcs

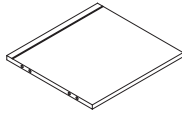


2

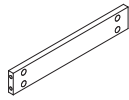
① 1pc ⑦ 1pc ④ 18pcs ⑤ 10pcs



3



② 1pc



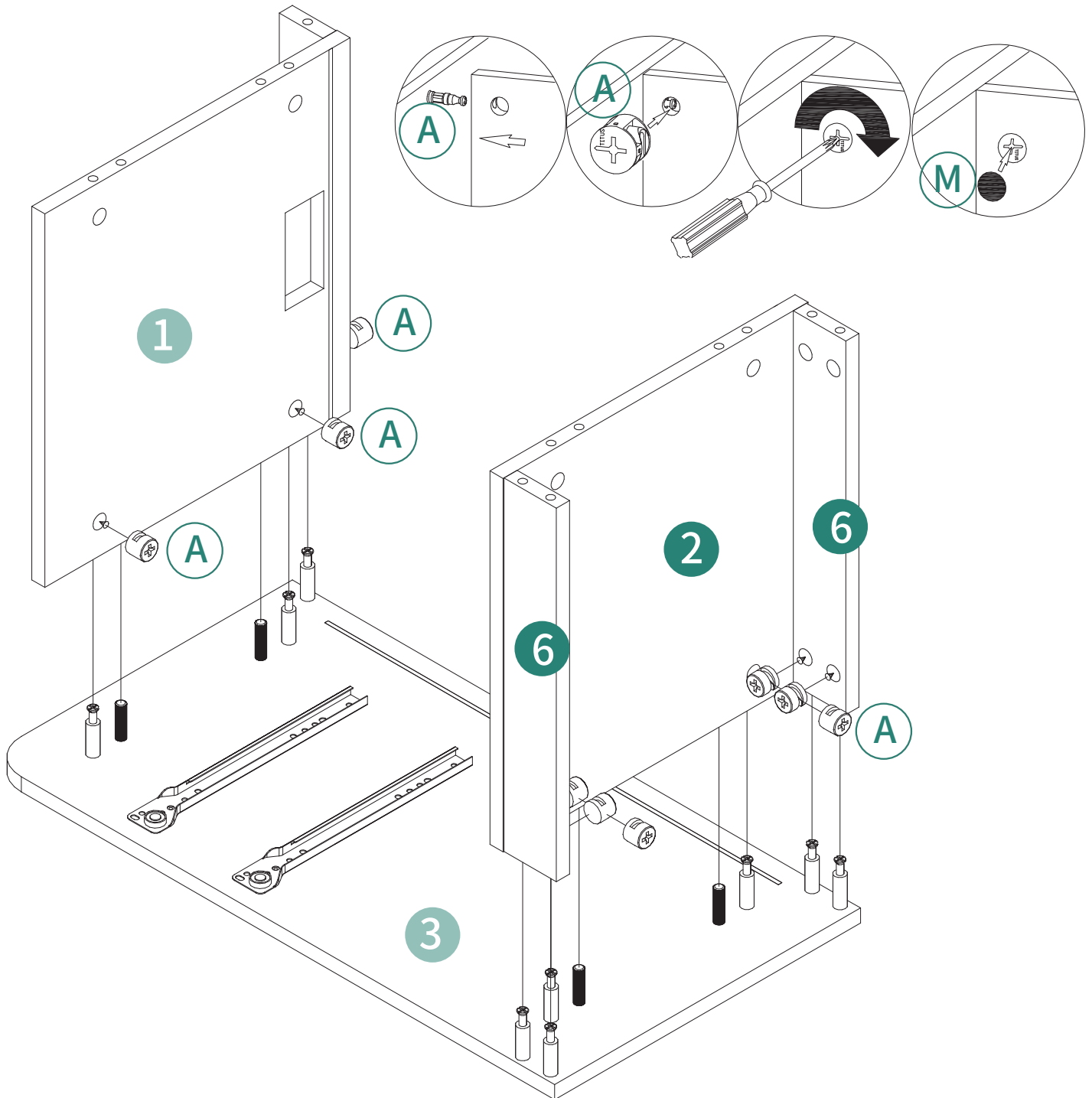
⑥ 2pcs



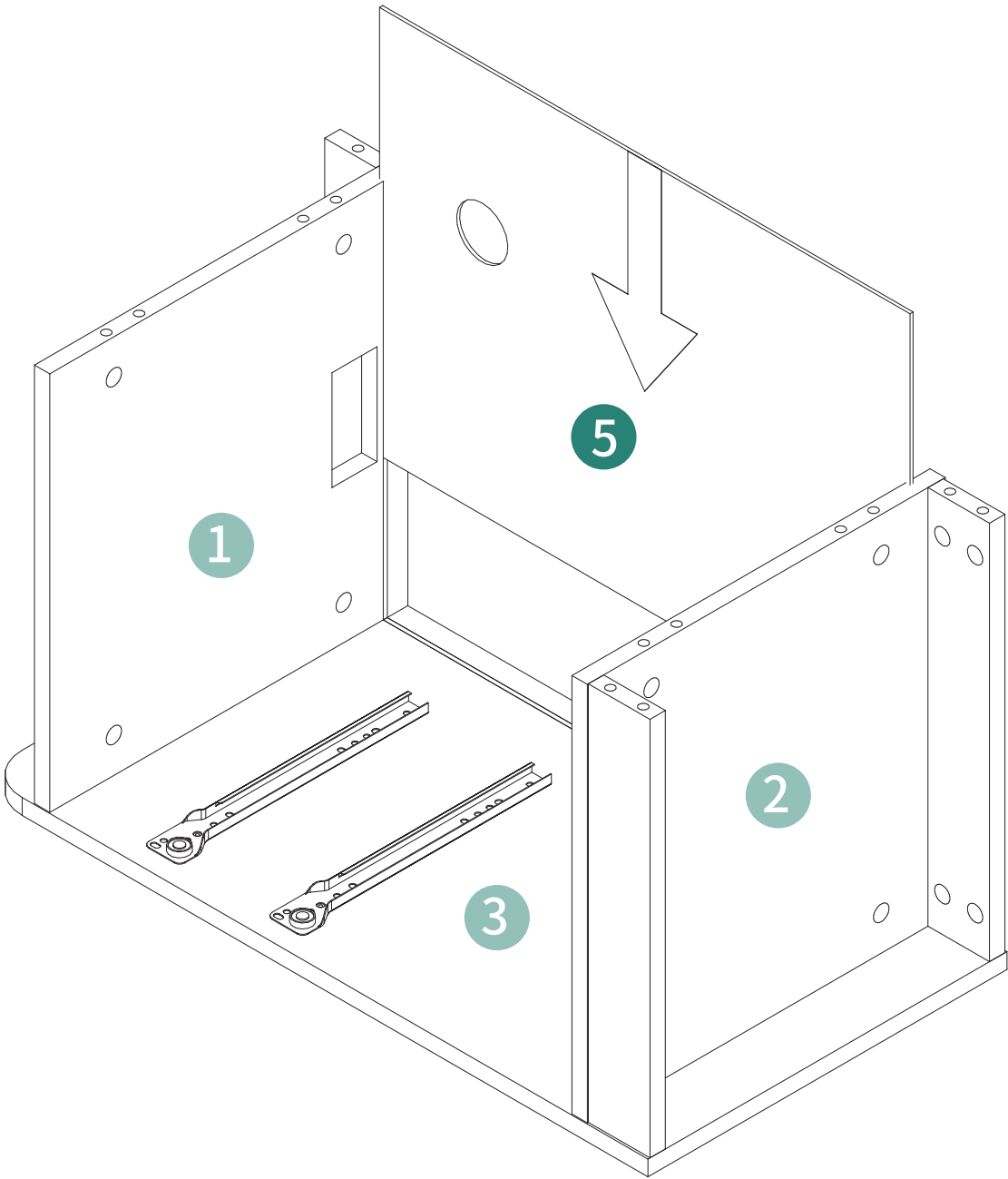
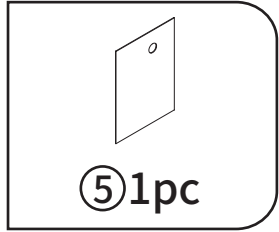
Ⓐ 9pcs



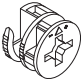

Ⓜ 9pcs

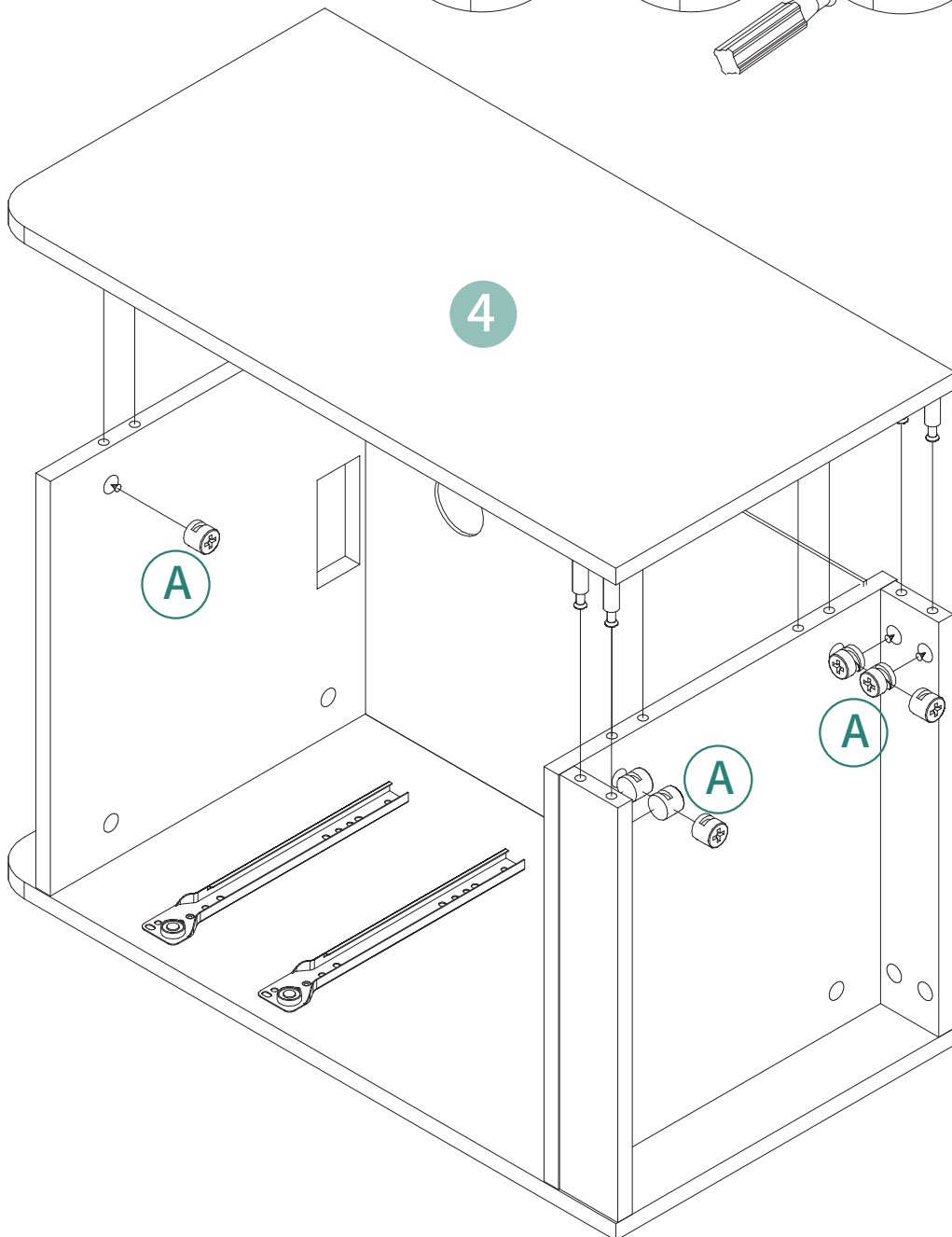
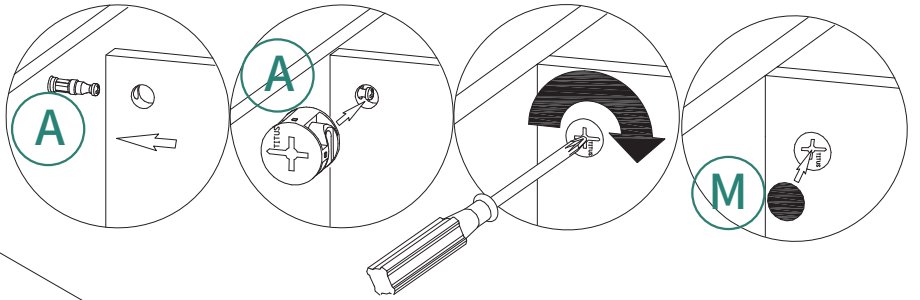


4

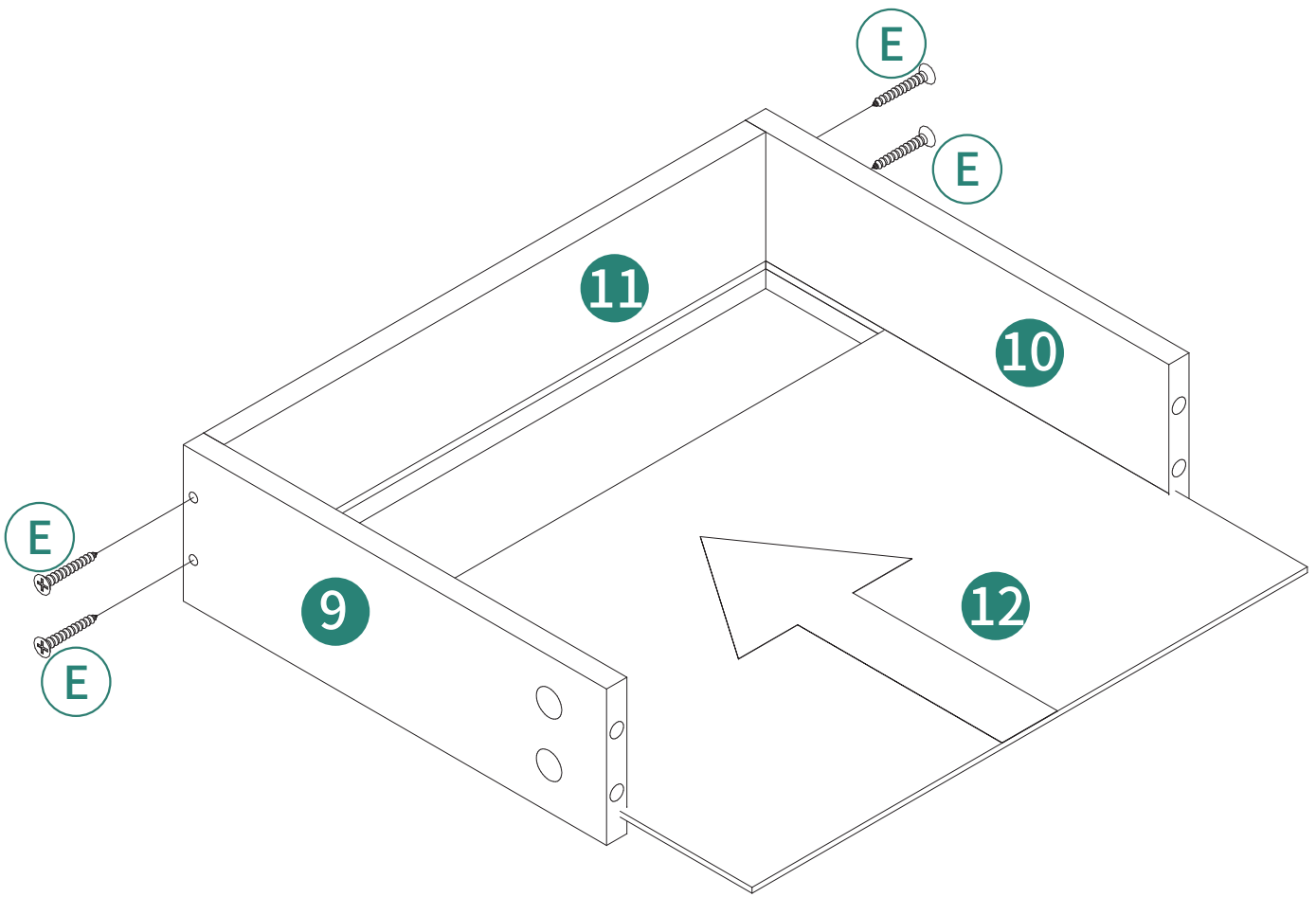
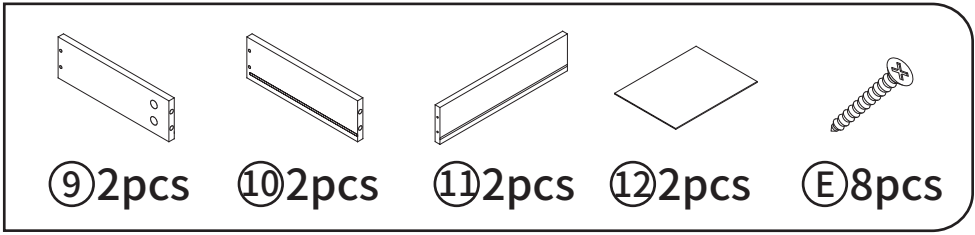


5

 
Ⓐ 9pcs Ⓜ 9pcs

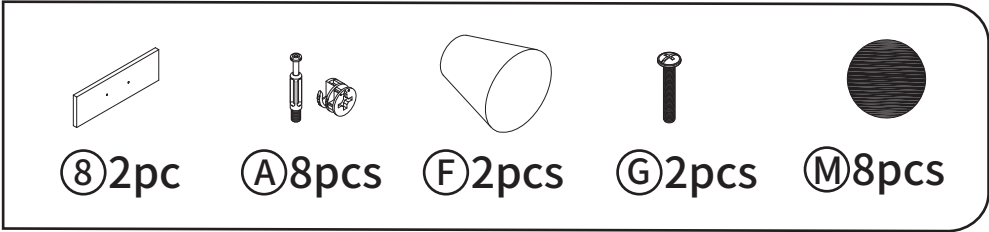


6
X2

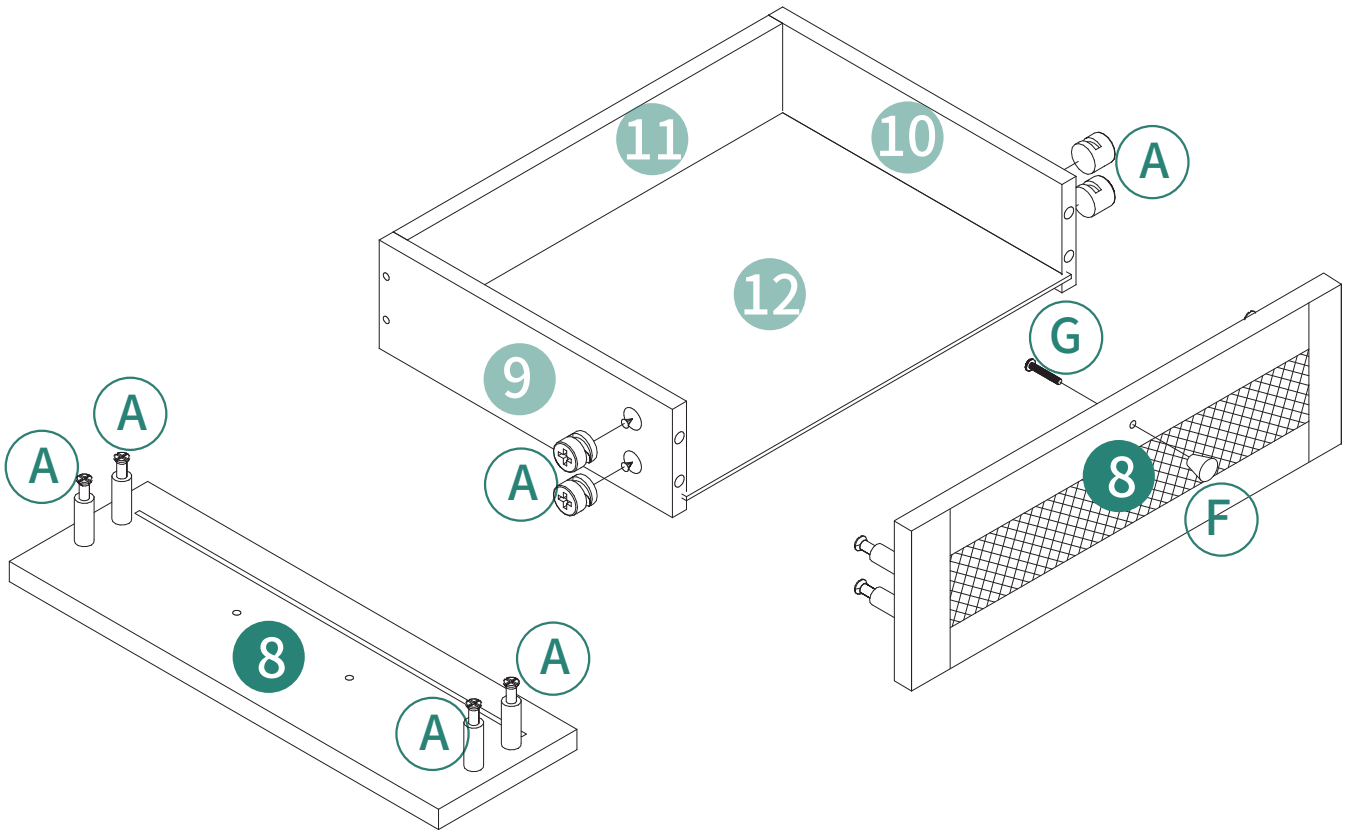
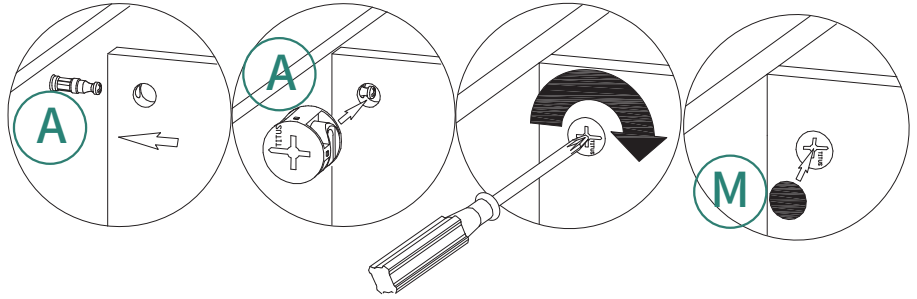


7

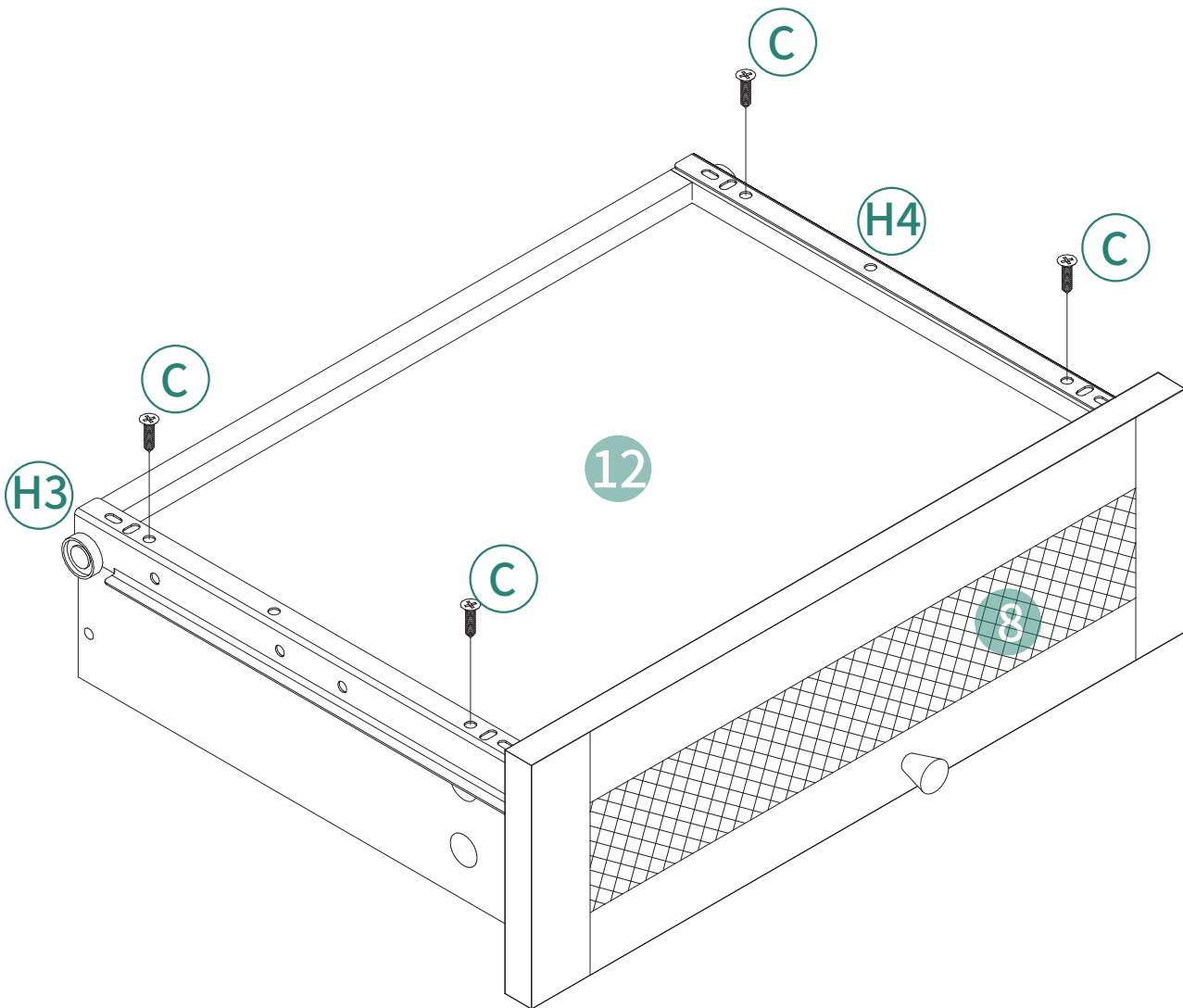
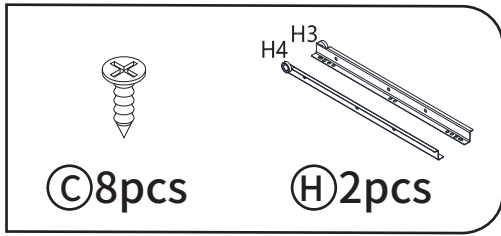
X2



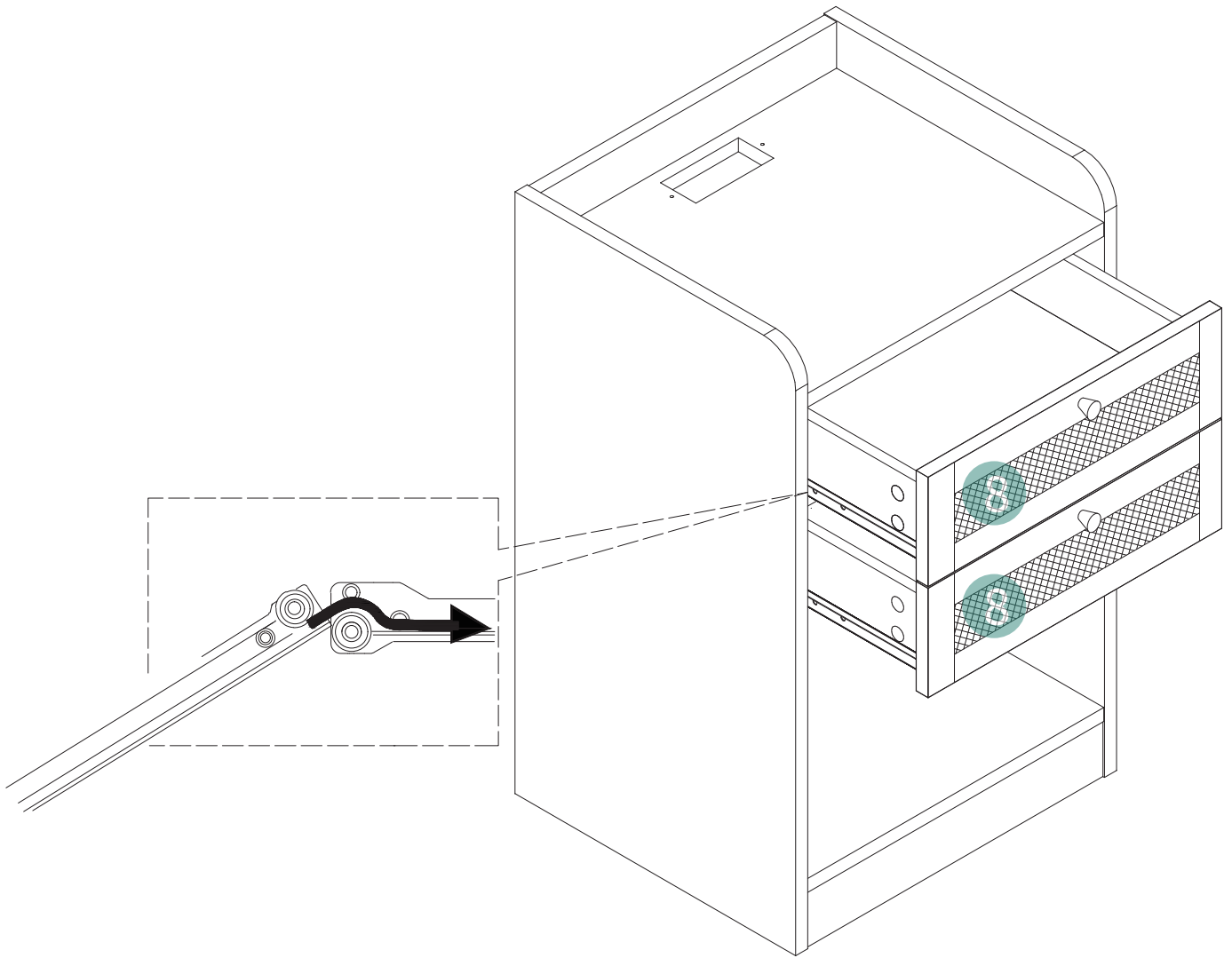
⑧ 2pc ① A 8pcs ② F 2pcs ③ G 2pcs ④ M 8pcs



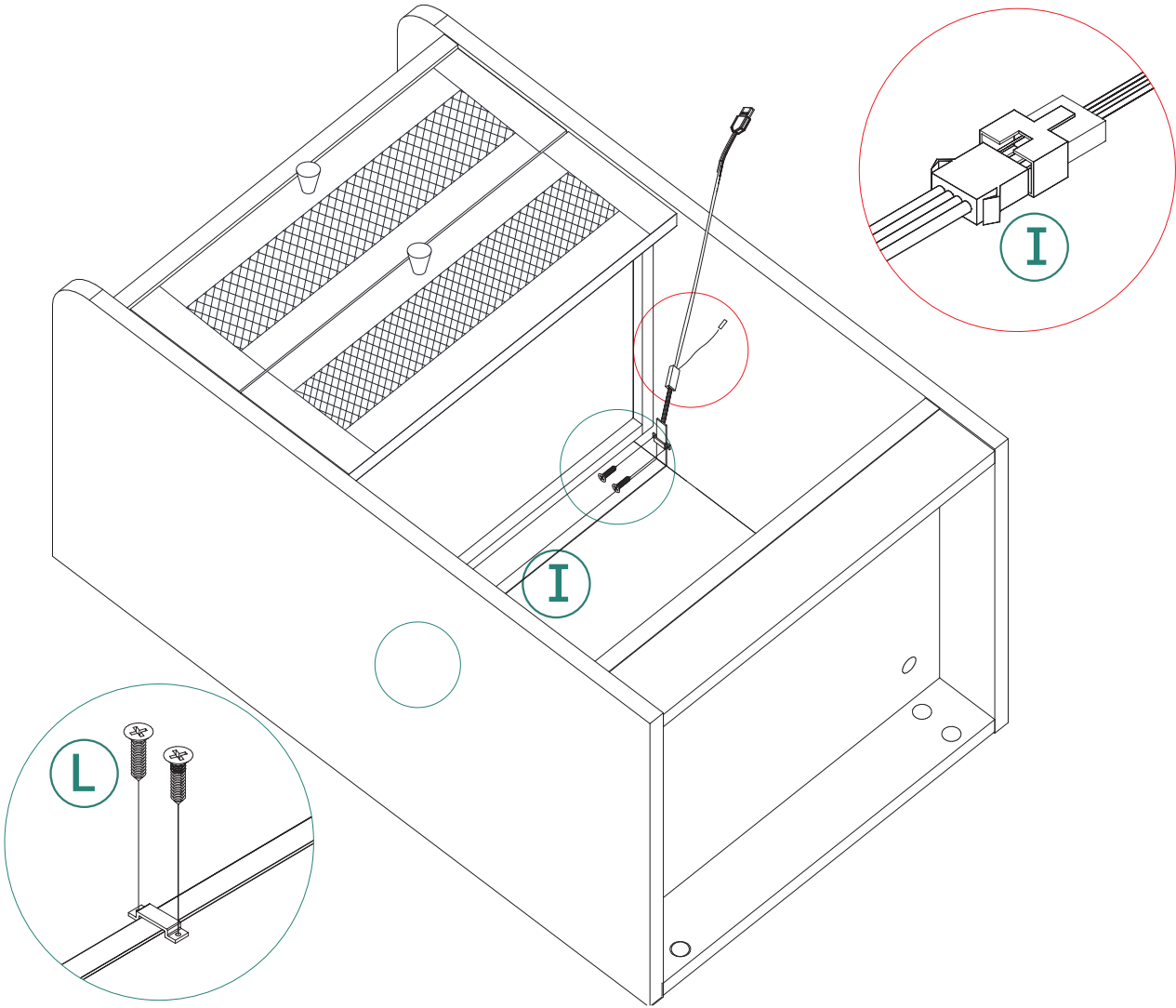
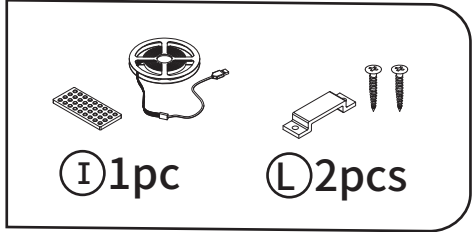
8
X2



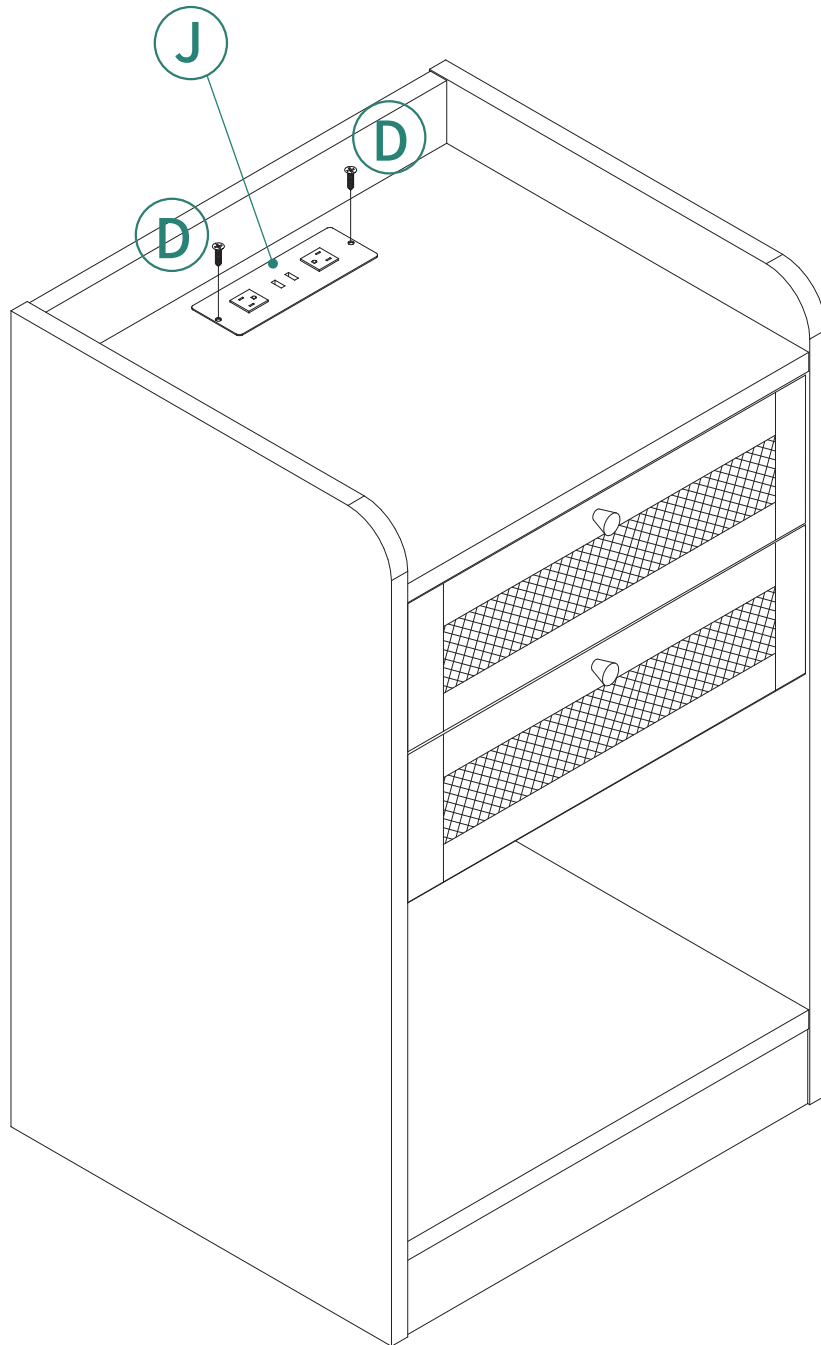
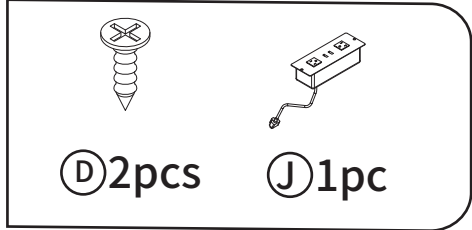
9



10



11



12



Ⓒ4pcs



Ⓐ4pcs

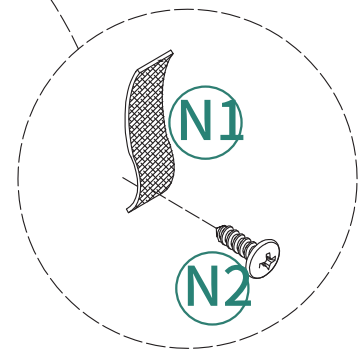
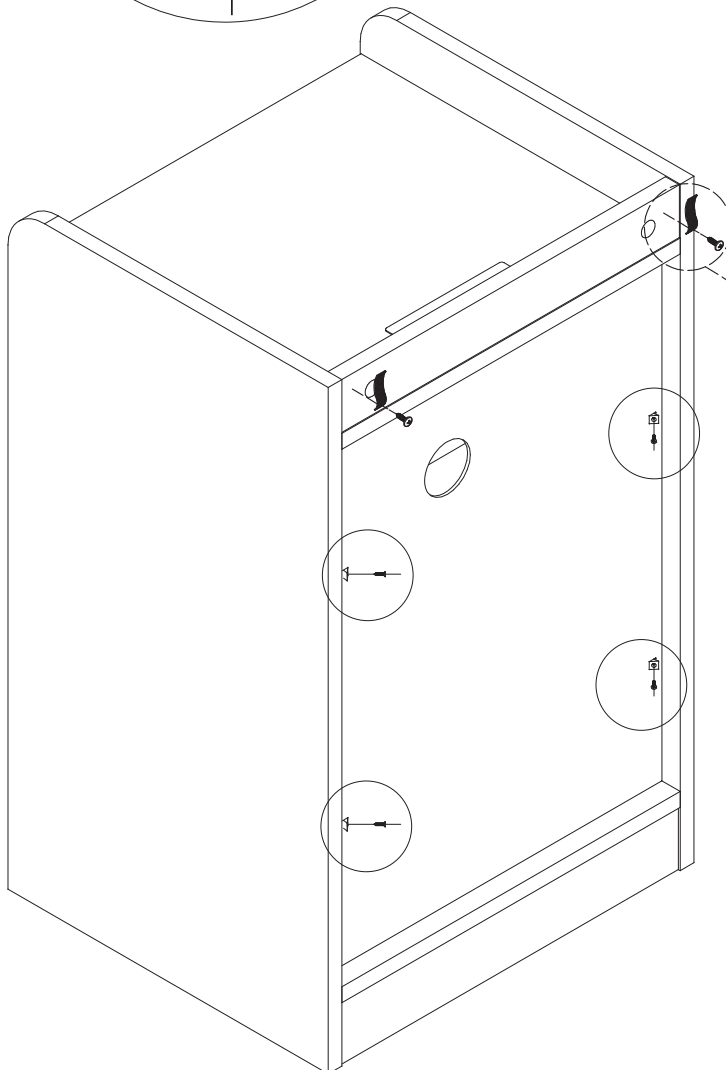
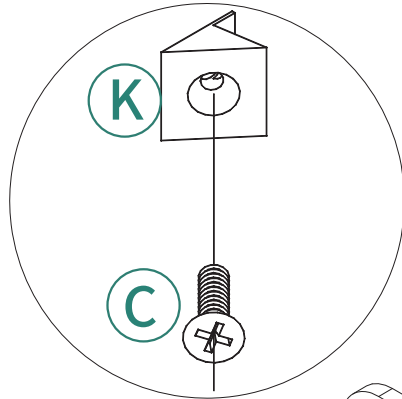


N1



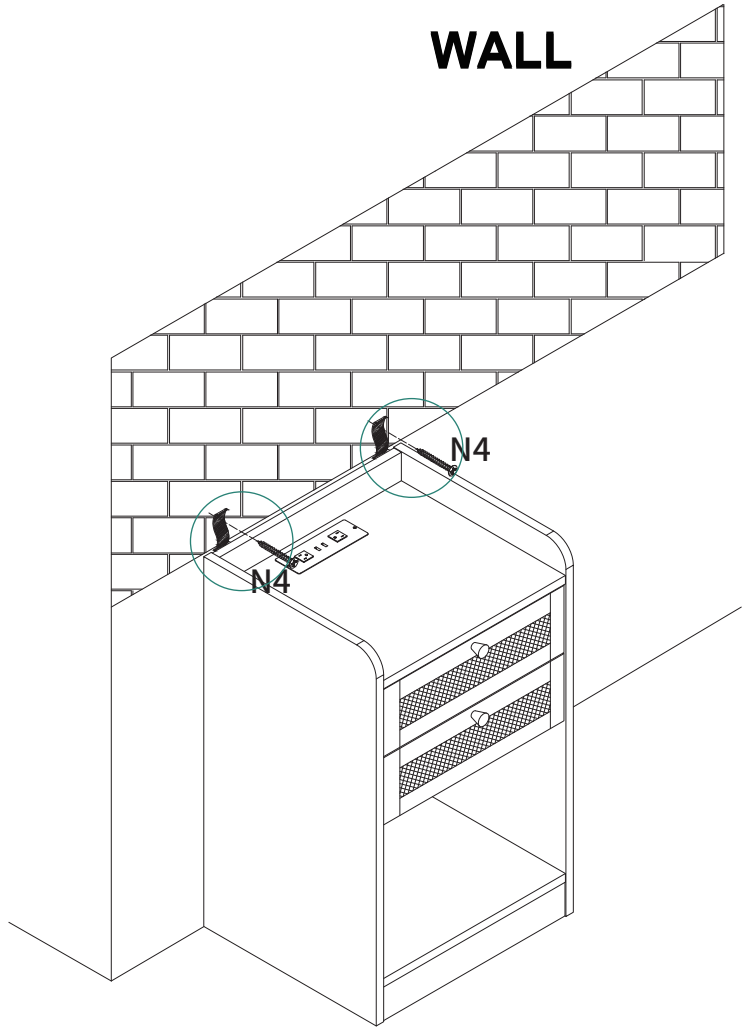
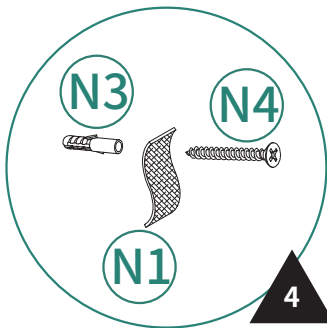
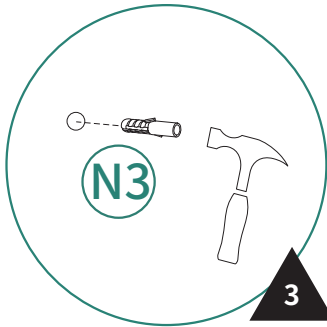
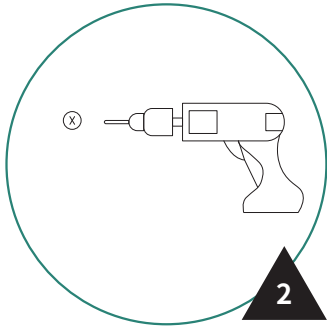
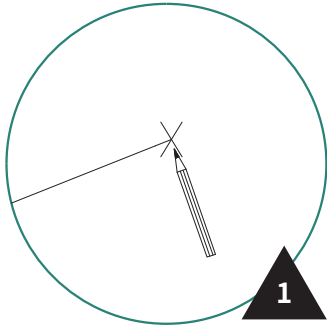
N2

Ⓐ2pcs

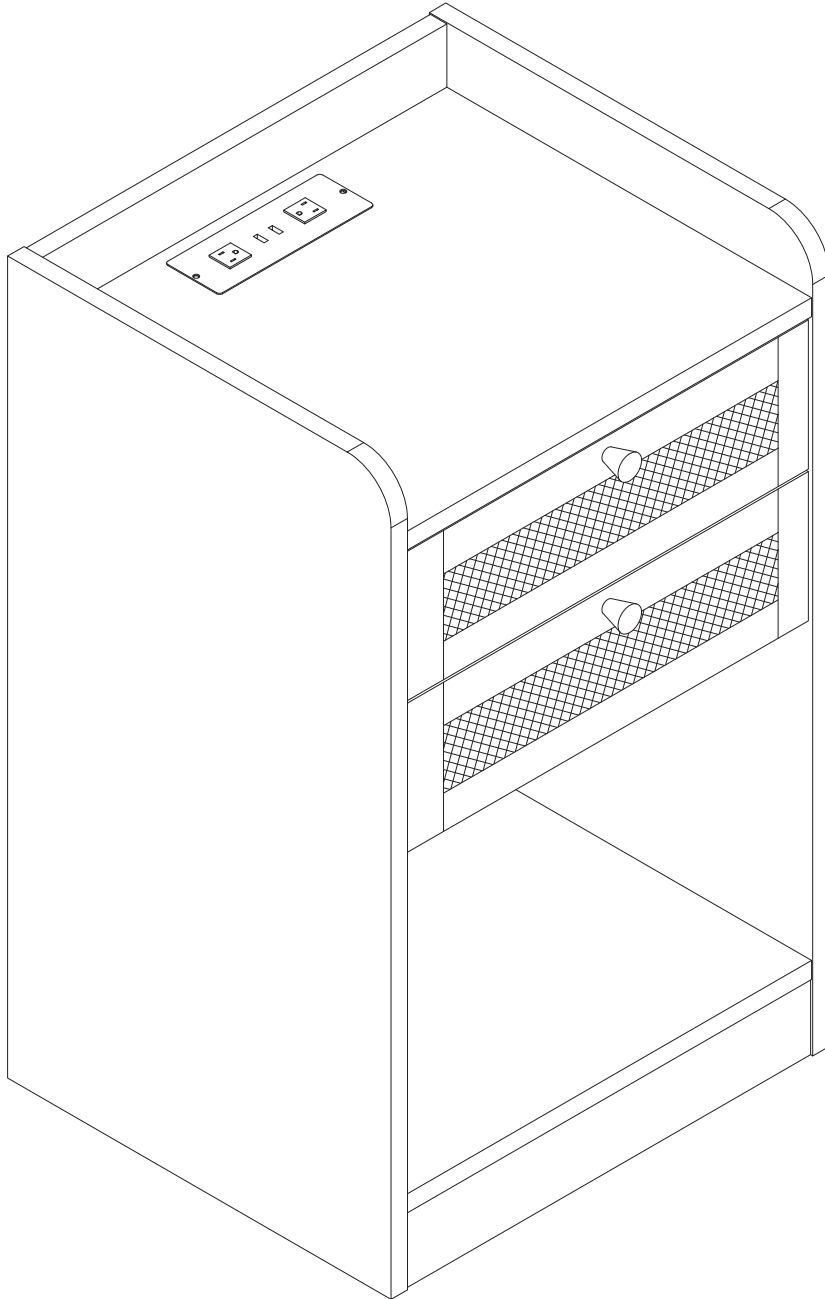


13

N3 N4
Ⓝ 2pcs



14



Installation Completed