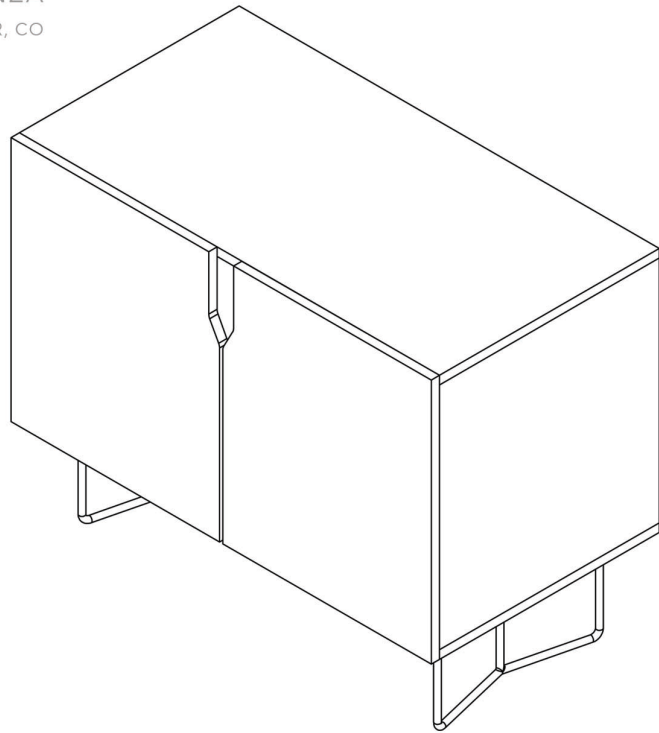
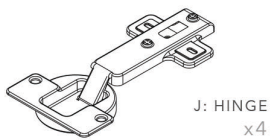


ASSEMBLY INSTRUCTIONS / THE CREDENZA

MADE FROM SCRATCH IN DENVER, CO



WHAT'S INCLUDED:



J: HINGE
x4



K: WOOD DOWELS
x10



L: LONG SCREWS
x8

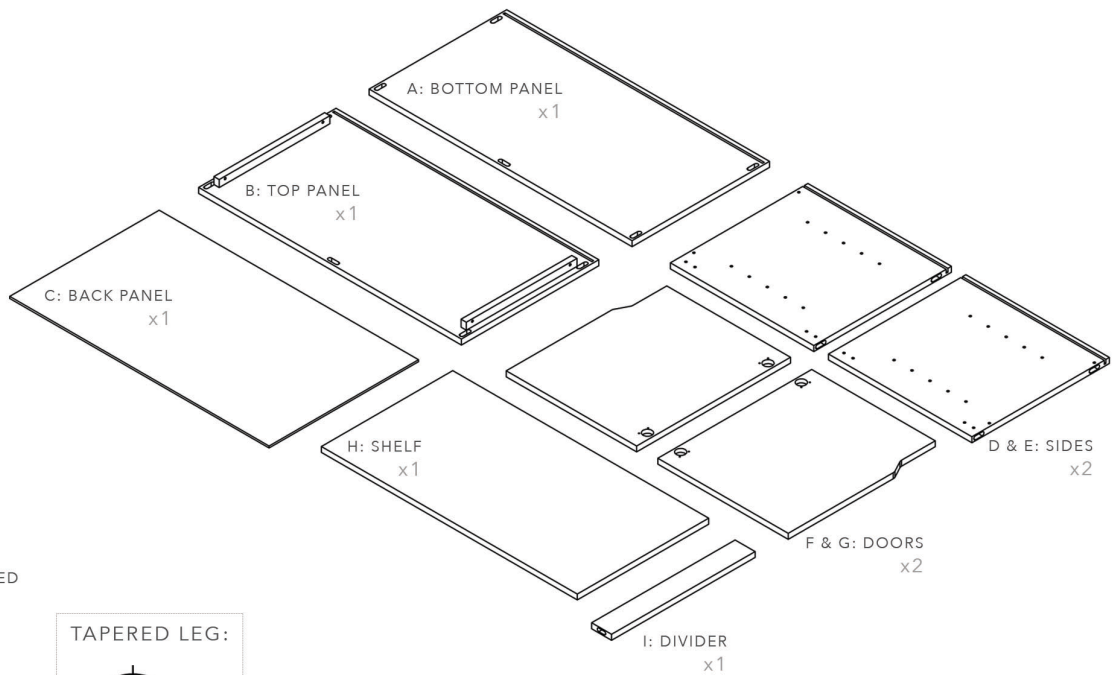


M: SHORT SCREWS
x16



N: SHELF PEGS
x4

*NOTE: EXTRAS MAY BE INCLUDED



TAPERED LEG:



x4

YOU WILL NEED:



SCISSORS



PHILLIPS HEAD
SCREWDRIVER

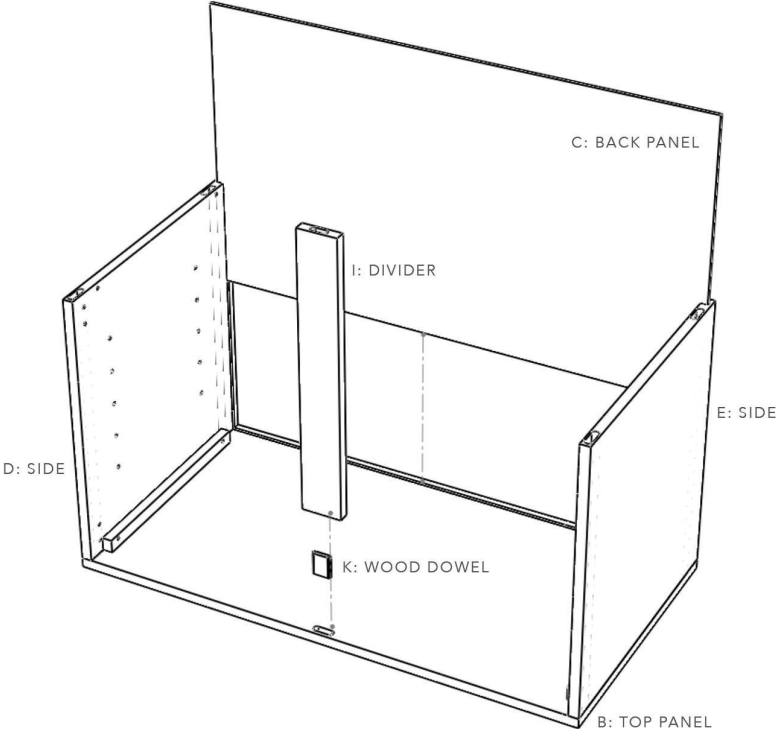
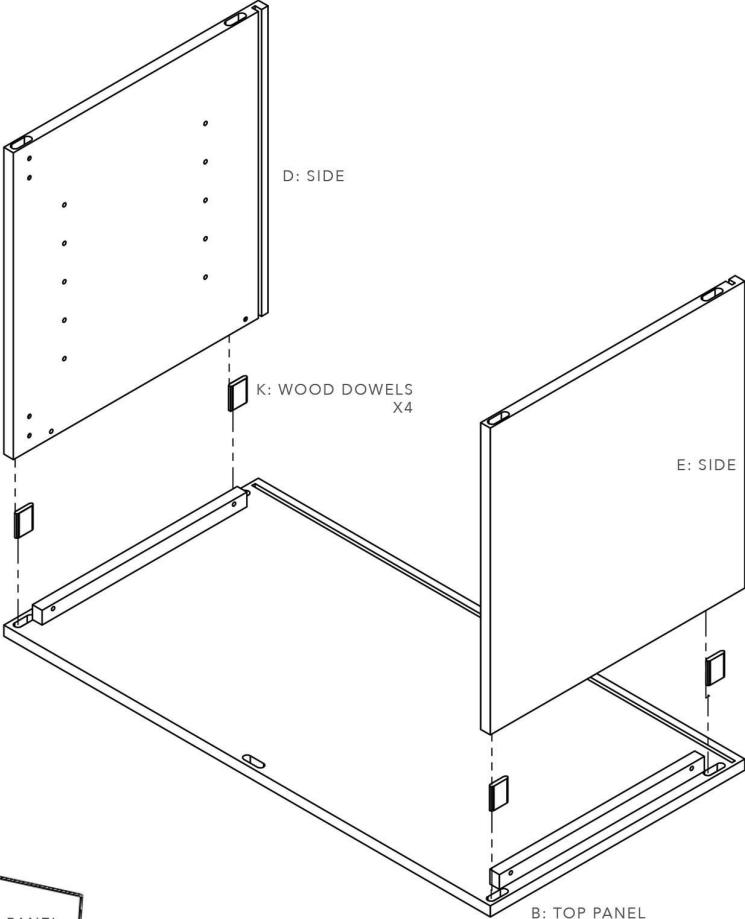


YOU AND ANOTHER HELPER

ASSEMBLY INSTRUCTIONS / THE CREDENZA

MADE FROM SCRATCH IN DENVER, CO

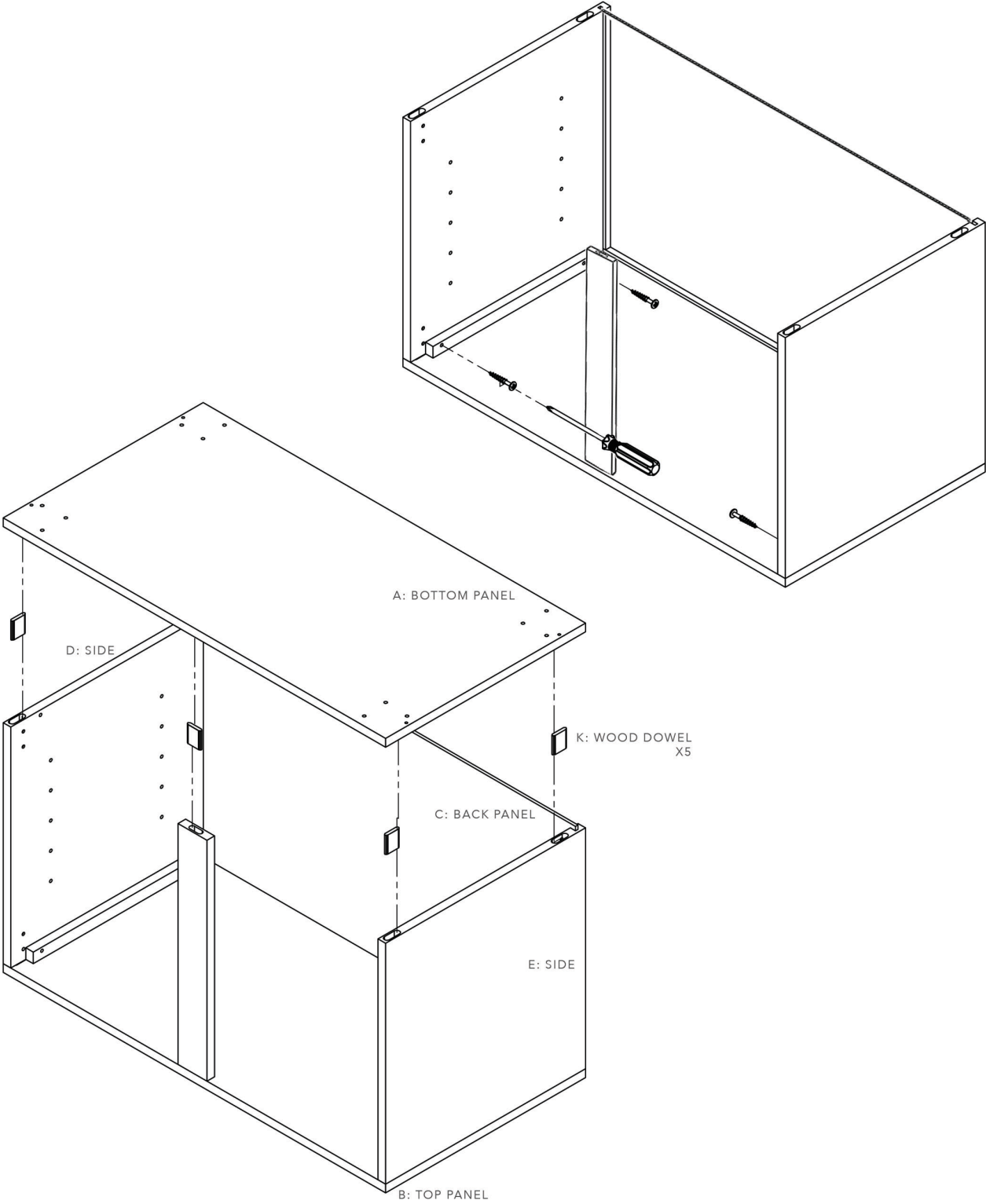
PRO TIP: TO PROTECT THE WOOD, ASSEMBLE ON TOP OF THE CARDBOARD SHEETS INCLUDED IN YOUR PACKAGING.



ASSEMBLY INSTRUCTIONS / THE CREDENZA

MADE FROM SCRATCH IN DENVER, CO

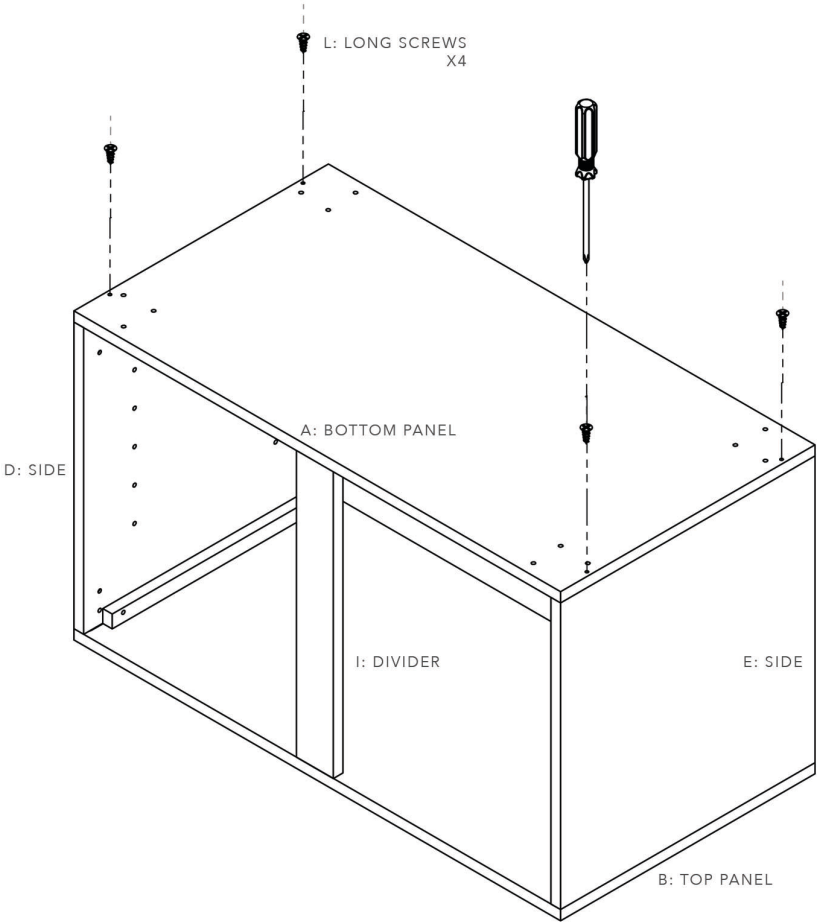
PRO TIP: TO PROTECT THE WOOD, ASSEMBLE ON TOP OF THE CARDBOARD SHEETS INCLUDED IN YOUR PACKAGING.



ASSEMBLY INSTRUCTIONS / THE CREDENZA

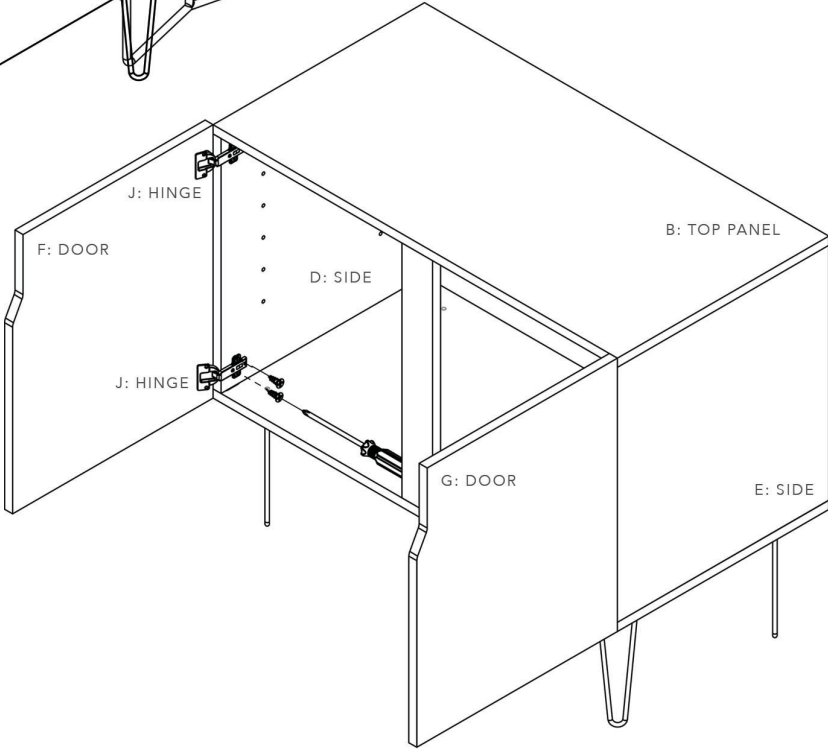
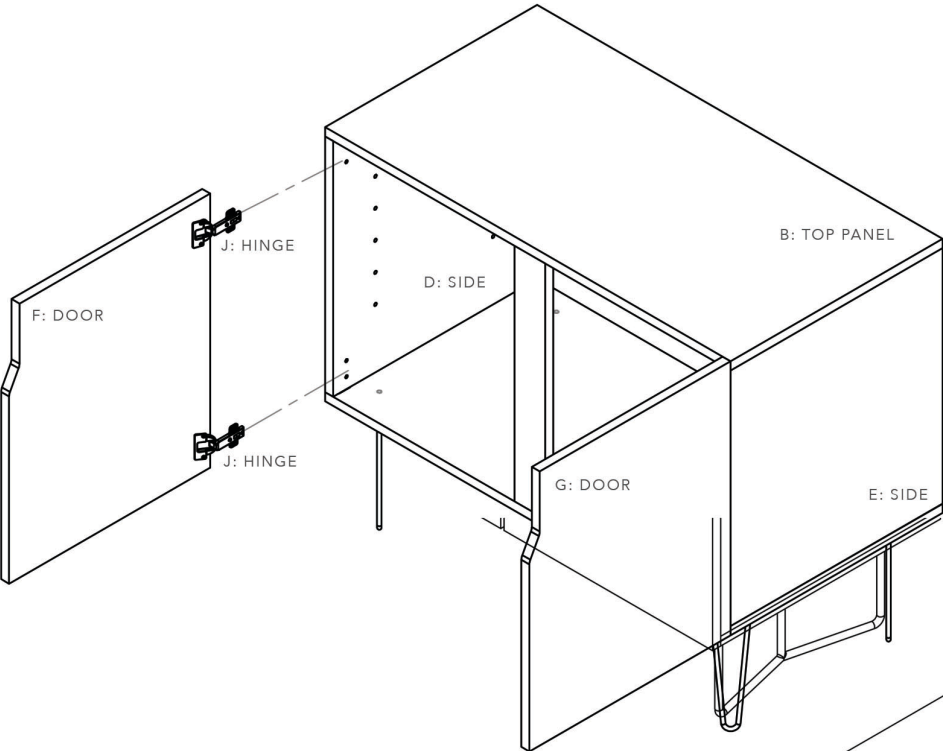
MADE FROM SCRATCH IN DENVER, CO

PRO TIP: TO PROTECT THE WOOD, ASSEMBLE ON TOP OF THE CARDBOARD SHEETS INCLUDED IN YOUR PACKAGING.



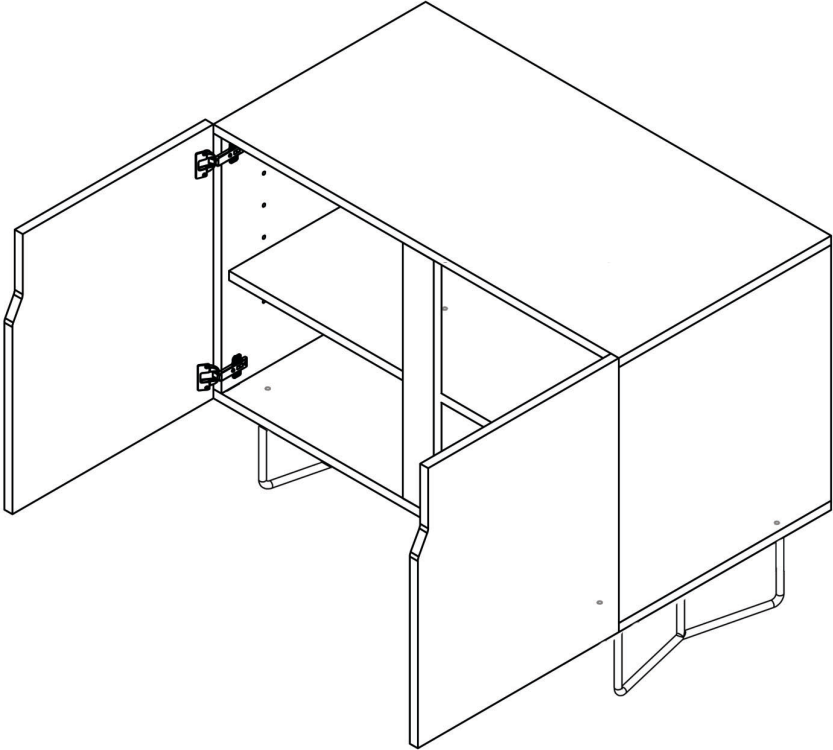
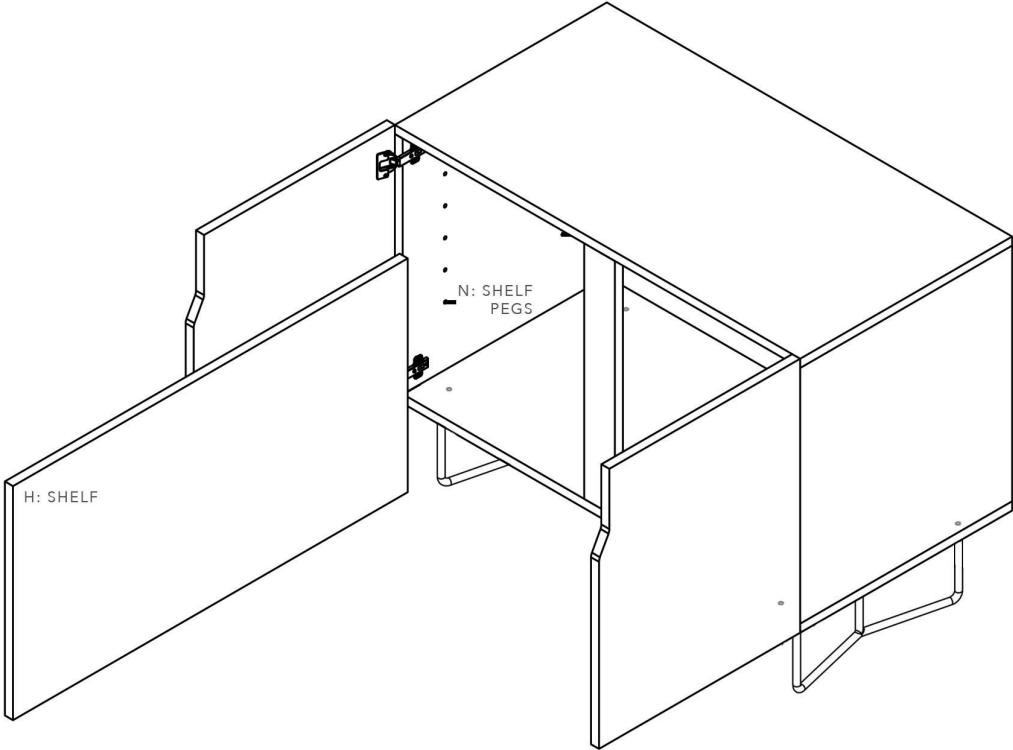
ASSEMBLY INSTRUCTIONS / THE CREDENZA

MADE FROM SCRATCH IN DENVER, CO



ASSEMBLY INSTRUCTIONS / THE CREDENZA

MADE FROM SCRATCH IN DENVER, CO



PRO TIP: TO PROTECT WOOD AND HARD FLOORS, USE INCLUDED FELT PROTECTORS UNDERNEATH THE CREDENZA LEGS.