

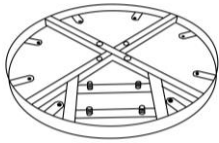
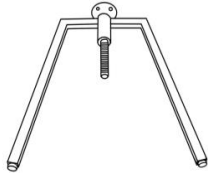
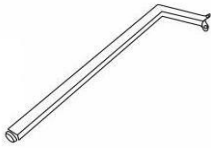
Assembly Instructions

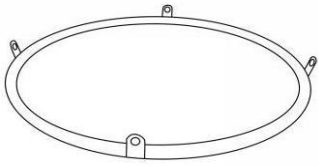

Caution : You must read this before you proceed

Barstool


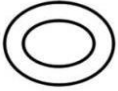
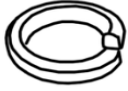
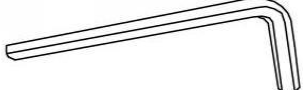




Parts List

Label	Picture	Description	QTY
A		Barstool Seat	1
B		Barstool Leg Frame with Thread Rod	1
C		Barstool Leg	2

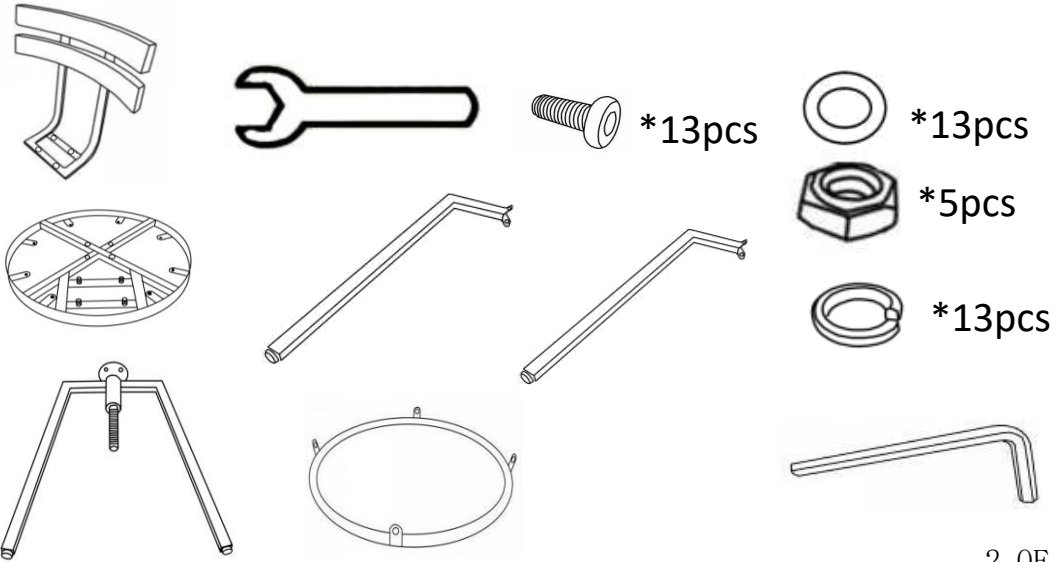
D		Footrest	1
E		Backrest	1

Hardware

Label	Picture	Description	QTY
①		Bolt(M6*15mm)	13
②		Washer(M6)	13
③		Spring Washer(M6)	13
④		Allen Key(M6)	1
⑤		Nut(M8)	5
⑥		Spanner(M8)	1

Assembly Preparation

Before Beginning Assembly :





- Read instructions, cover to cover-



- Have 2 adults on hand for assembly-



- Do not assemble on flooring or carpet-



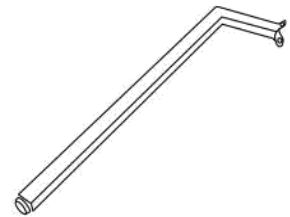
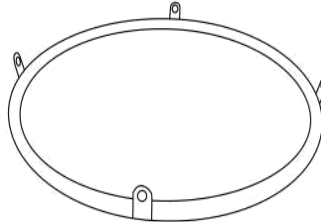
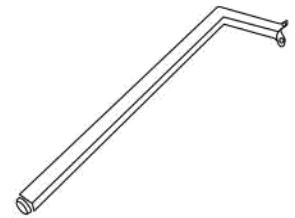
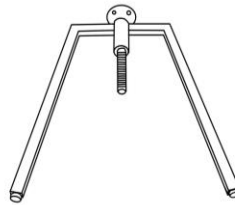
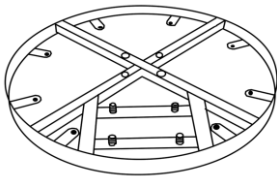
- Assemble on a clean non-marring surface (packing foam)-



- Save all packaging until finished-

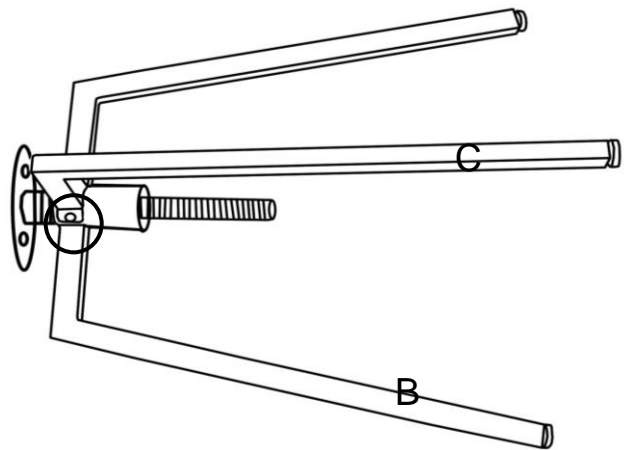
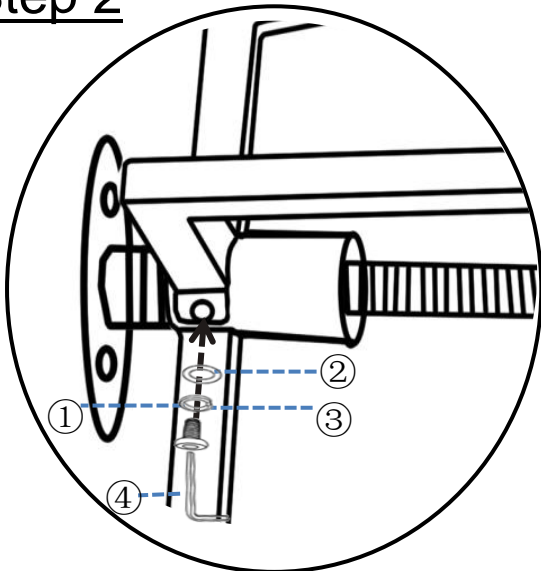
Assembly Steps

Step 1



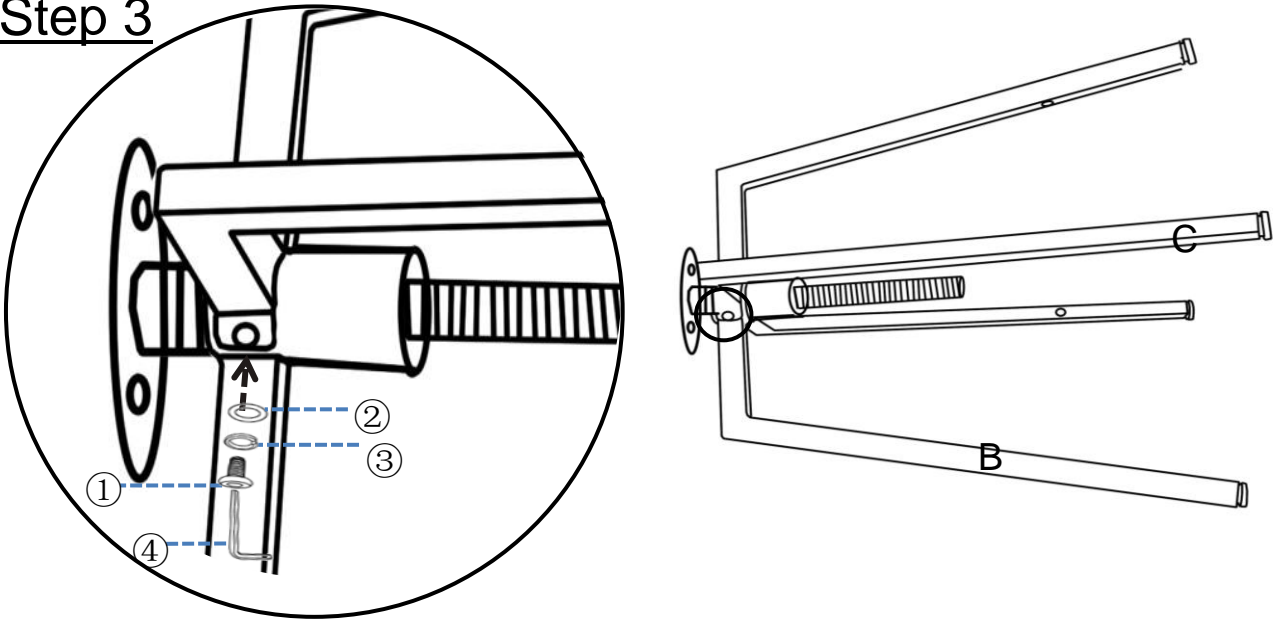
Place the above components on a clean and soft surface.

Step 2



Attach a Barstool Leg(C) to the Barstool Leg Frame with the Thread Rod(B) using the Bolts(①) ,Washers(②) and Spring Washers(③) with the Allen Key(④), then bolt in the other side of the Barstool Leg(C).
Do not fully tighten the bolts.

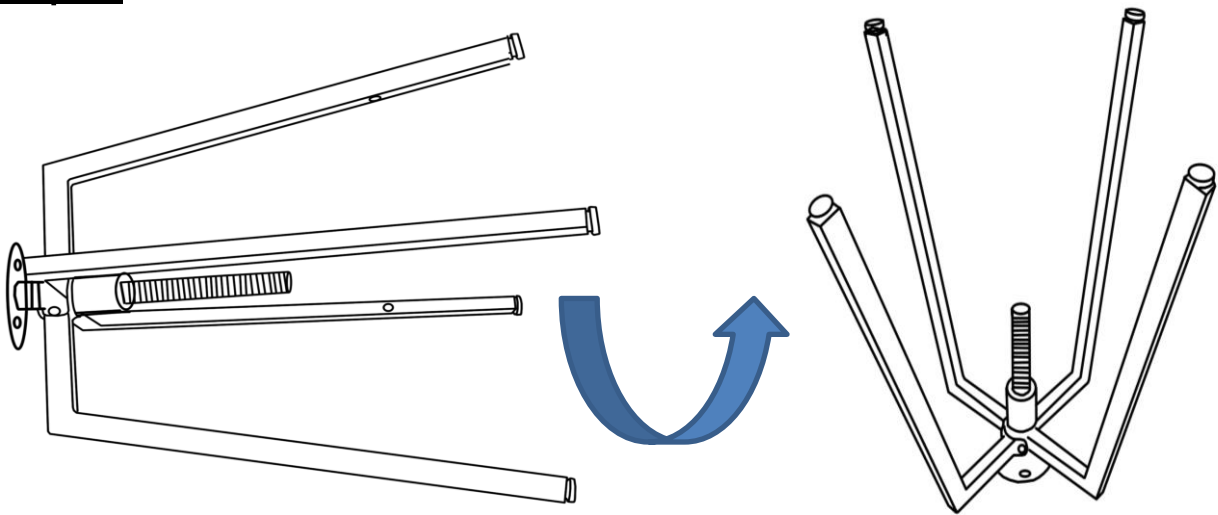
Step 3



Repeat Step 2 to assemble the other Barstool Leg(C) to the Barstool Leg frame with the Thread Rod (B) using the Bolts(①) ,Washers(②) and Spring Washers(③) with the Allen Key(④), then bolt in the other side of the Barstool Leg(C).

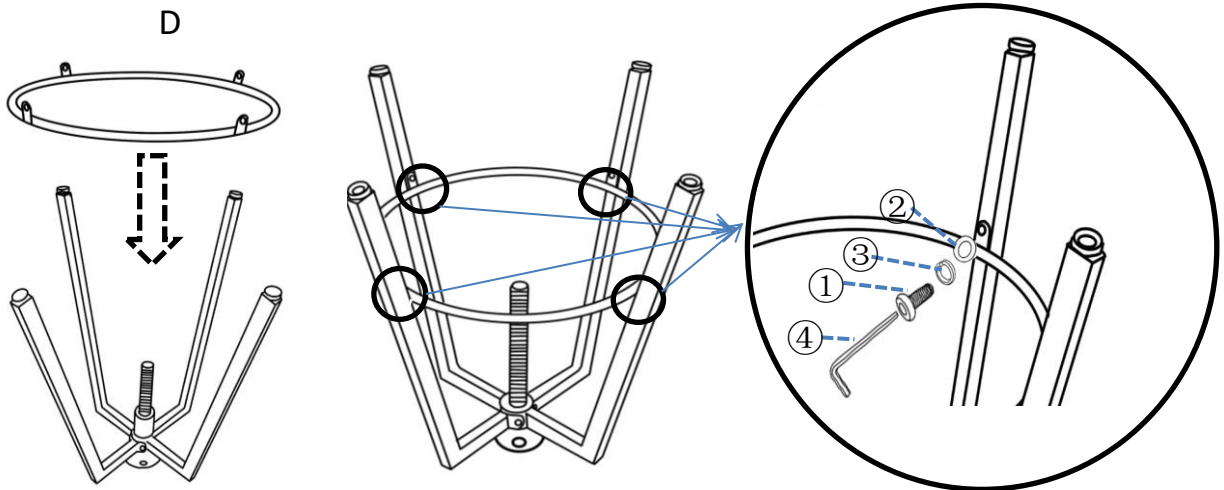
Do not fully tighten the bolts.

Step 4



Stand the assembled leg frame up as shown above.

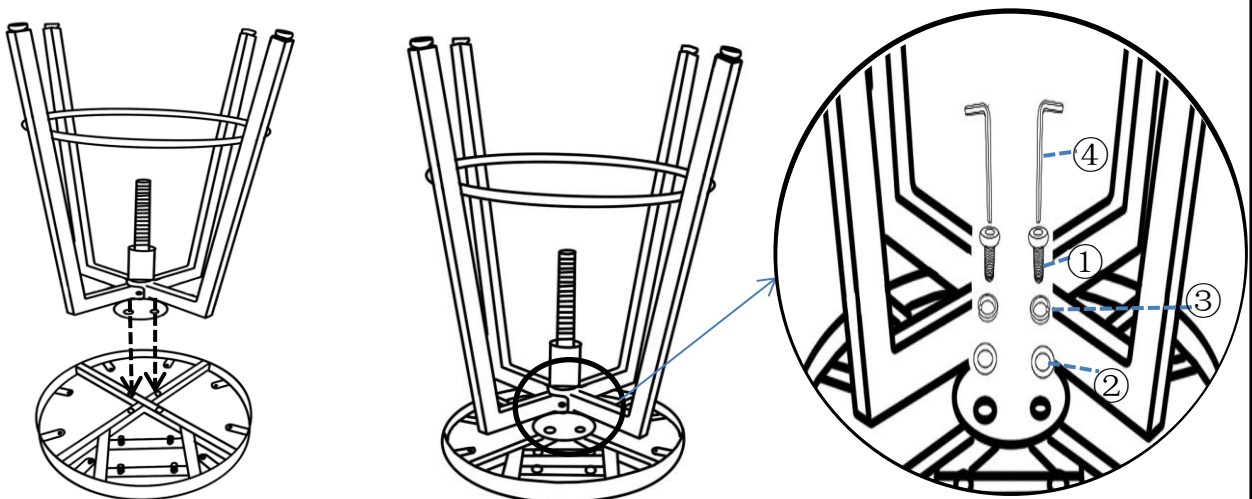
Step 5



Attach the Footrest(D) to the assembled leg frame(B.C) using the Bolts(①), Washers(②) and Spring Washers(③) with the Allen Key(④).

Tighten all bolts.

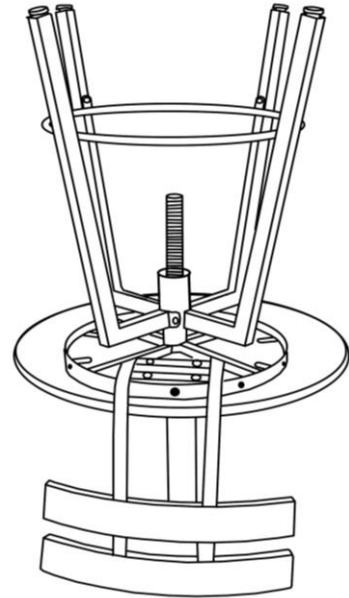
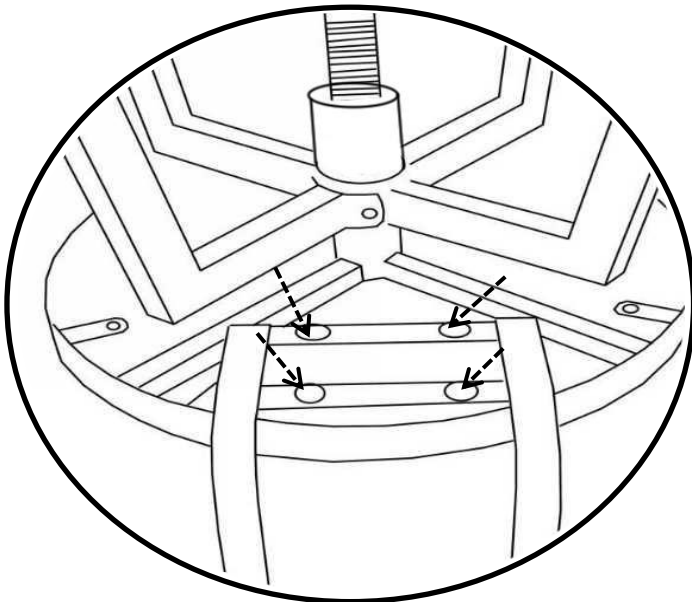
Step 6



Place the Seat Frame facedown onto a table, as shown. Attach the assembled leg frame(B.C.D) to the Barstool Seat (A) using the Bolts(①), Washers(②) and Spring Washers(③) with the Allen Key(④).

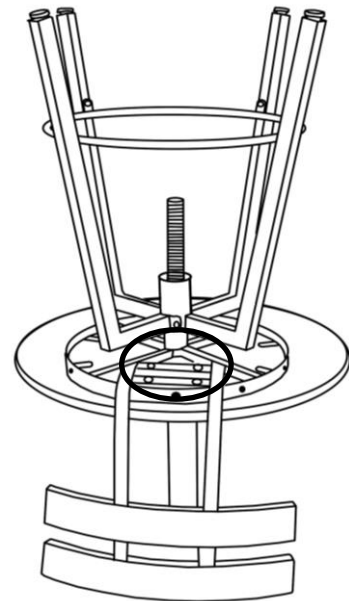
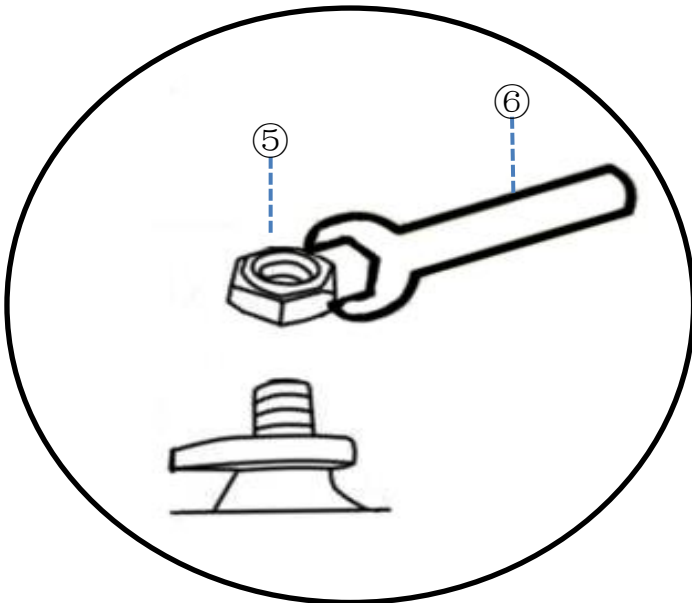
Tighten all bolts.

Step 7



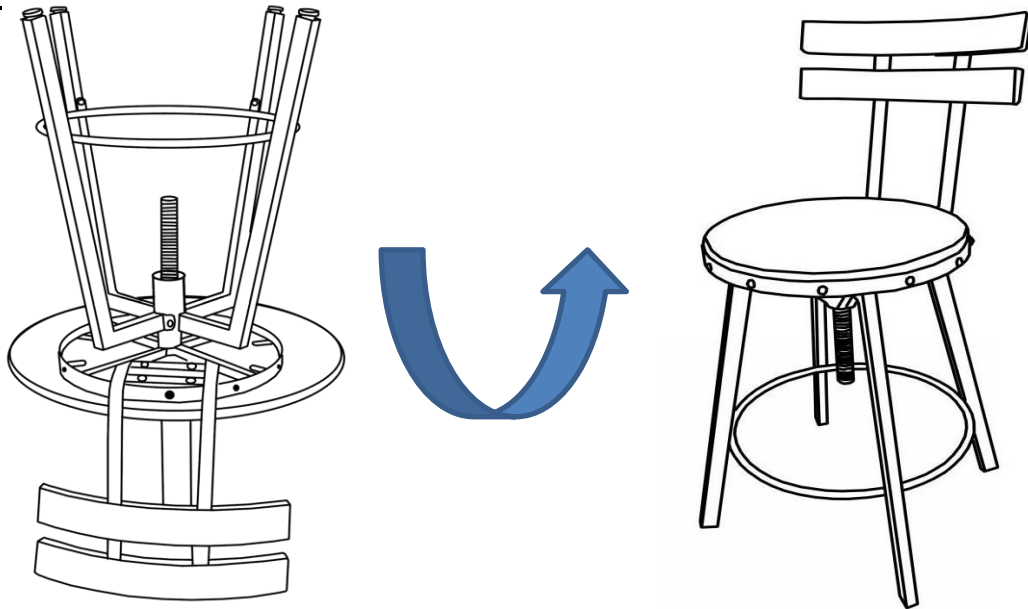
Align the mounting positions on the Seat Frame and the Backrest(E).

Step 8



Attach the Seat Frame to the Backrest(B) using Nuts(5) with the Wrench(6).
CAUTION : When tightening these Nuts, tighten sequentially.
DO NOT tighten any nut fully and then move towards the next one.

Step 9



Stand the Barstool up and check the firmness of the backrest.

Ensure the nuts are fully tightened.

WARNING!! IF THE BARSTOOL BACKREST IS NOT FIRM, IT COULD LEAD TO DAMAGE OF THE PRODUCT.

Step 10














Your Barstool is ready for use.

Rotate the Barstool Seat(A) to adjust the Barstool's height.

This Barstool can only be used on a flat, level surface.

Care & Maintenance

- ✓  ● Furniture may scratch floors. We recommend using furniture pads to protect your floors.
 - ⊘  ● Do not put hot items directly on furniture surface.
 - ⊘  ● Do not clean furniture with harsh cleansers or polish.
 - ⊘  ● Do not place furniture under direct sunlight.
 - ⊘  ● Do not place furniture near heating or cooling vents.
 - ⊘  ● Do not write on furniture without a padded barrier to protect the surface.
 - ⊘  ● Do not place furniture outside . For indoor use only.
 - ⊘  ● Not for commercial use. For residential use only.
 - ⊘  ● Stains may be removed with mild soap solution and damp cloth.
 - ⊘  ● Children should not climb or jump on the furniture.
-
- ✓  ● Dust and pick-up spills using a clean, non-colored, lint-free cloth.