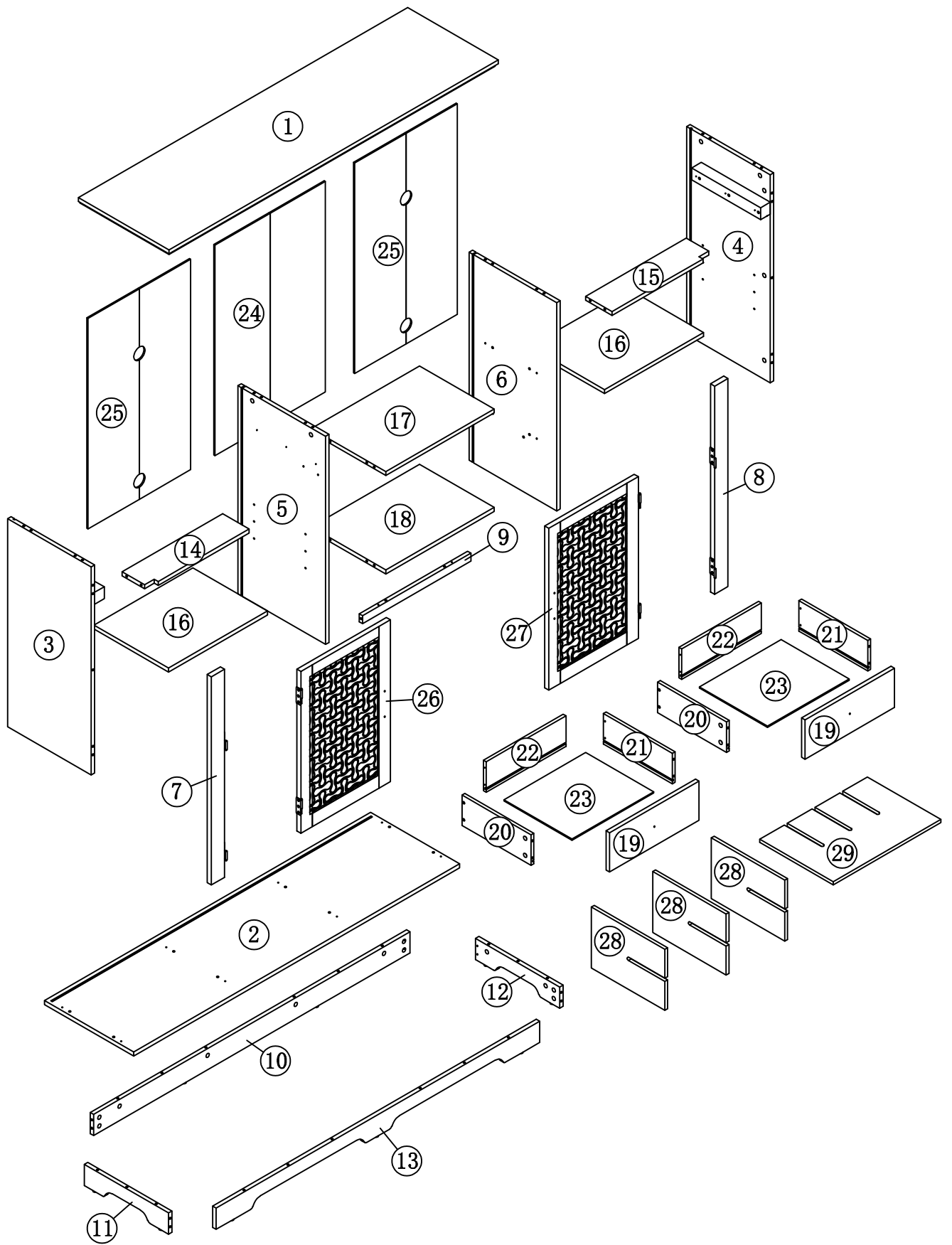


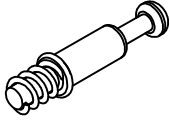

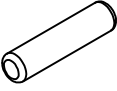
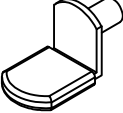
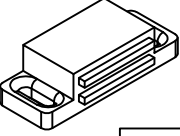
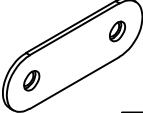
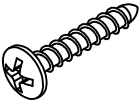
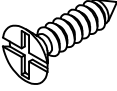
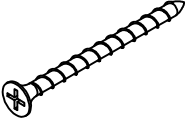
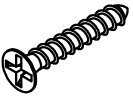
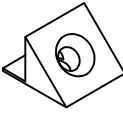
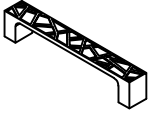
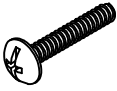

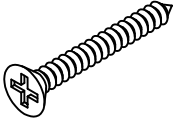

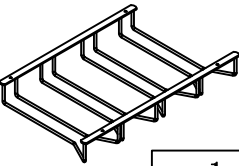
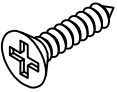

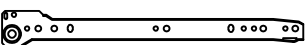
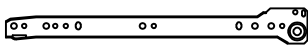
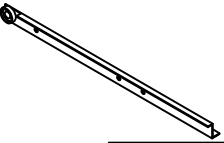
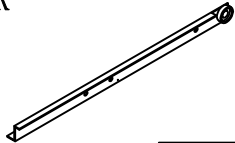
# Cabinet

## Assembly Instructions

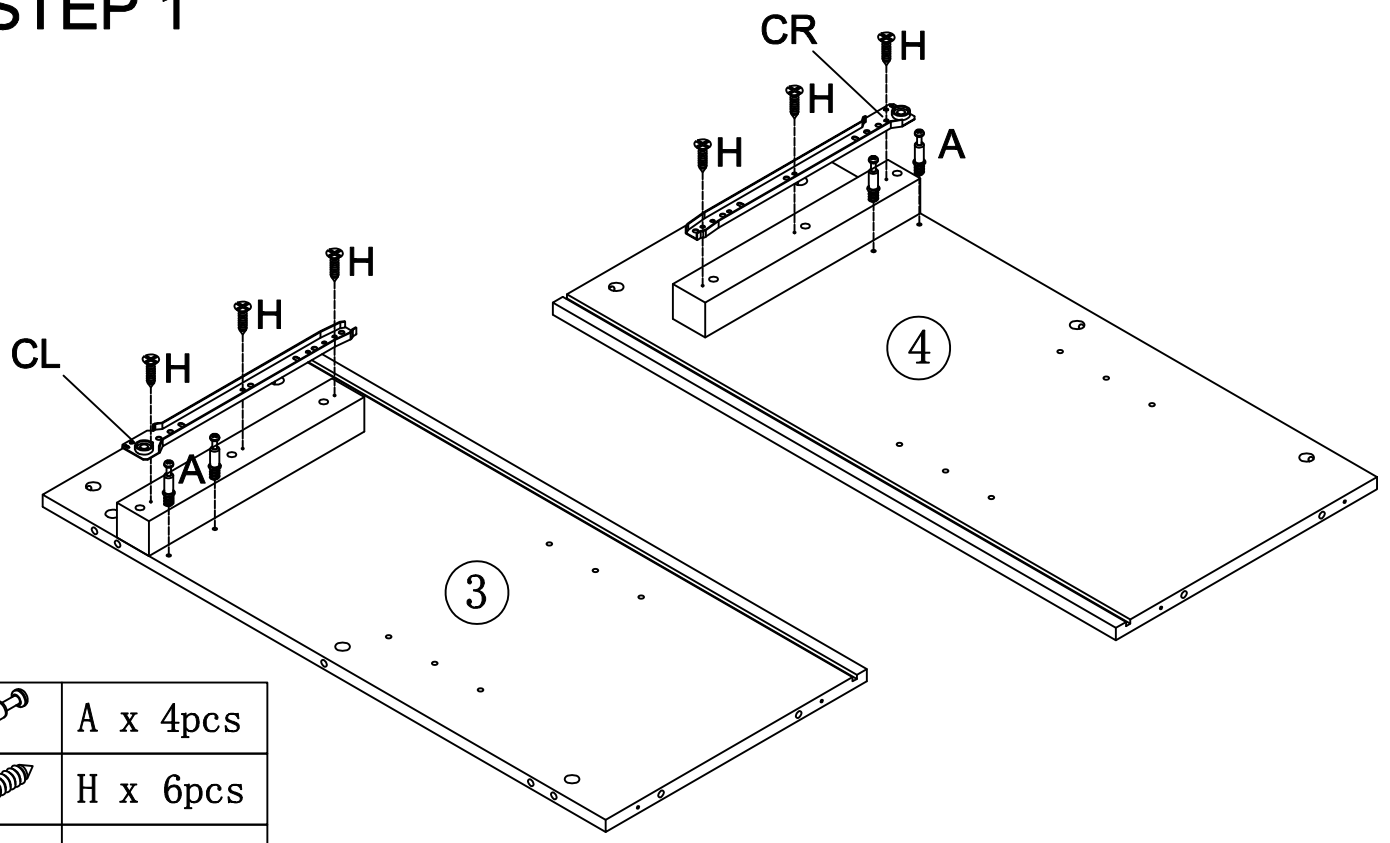
---


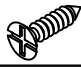
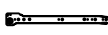

**NOTE:** This instruction manual contains **IMPORTANT** safety information. Please read carefully before assembling the product



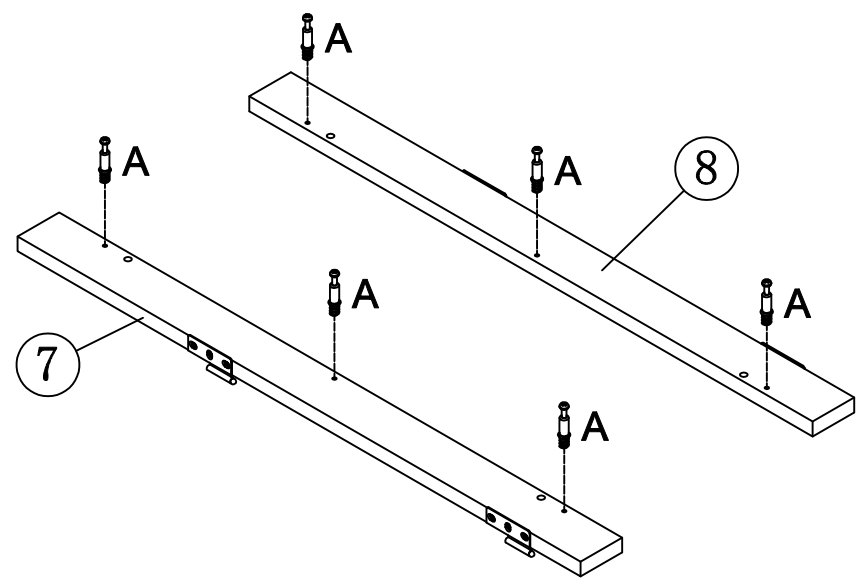
<p>A</p>  <p>M6*33.5mm    58+2pcs</p>	<p>B</p>  <p>∅15*11.5    50+2pcs</p>	<p>C</p>  <p>∅8*30mm    38+2pcs</p>
<p>D</p>  <p>8+1pcs</p>	<p>E</p>  <p>2pcs</p>	<p>F</p>  <p>2pcs</p>
<p>G</p>  <p>M3*15mm    4pcs</p>	<p>H</p>  <p>M3*12mm    28+2pcs</p>	<p>I</p>  <p>M4*50mm    8+1pcs</p>
<p>J</p>  <p>∅3*17mm    8+1pcs</p>	<p>K</p>  <p>8+1pcs</p>	<p>L</p>  <p>2pcs</p>
<p>M</p>  <p>M4*19mm    6pcs</p>	<p>N</p>  <p>1pcs</p>	<p>O</p>  <p>M4*35mm    10+1pcs</p>
<p>P</p>  <p>2pcs</p>	<p>Q</p>  <p>1pcs</p>	<p>R</p>  <p>M4*14mm    4pcs</p>
<p>S</p>  <p>∅15*9.5    8+1pcs</p>	<p>CL</p>  <p>L300mm    2pcs</p>	<p>CR</p>  <p>L300mm    2pcs</p>
<p>DL</p>  <p>L300mm    2pcs</p>	<p>DR</p>  <p>L300mm    2pcs</p>	


# STEP 1



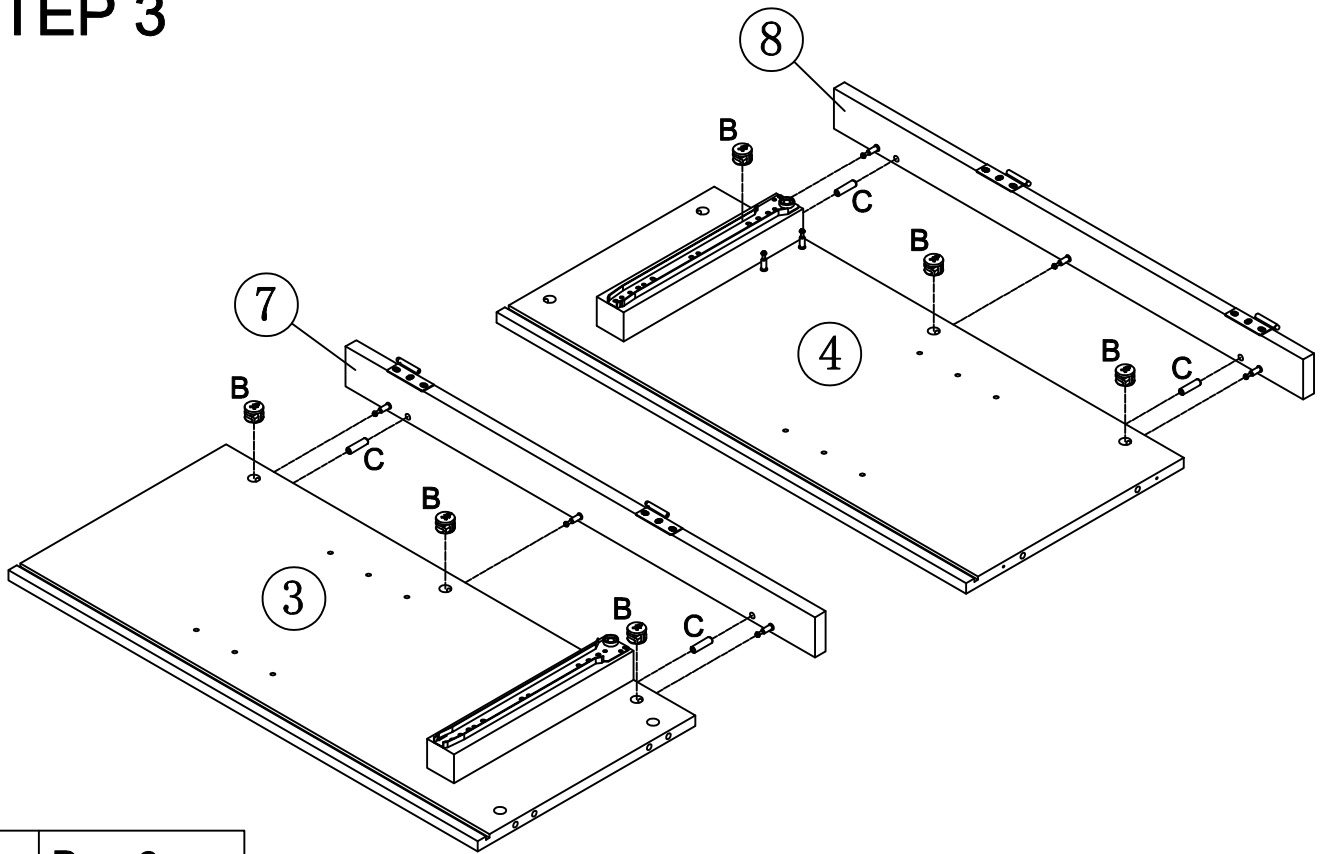
	A x 4pcs
	H x 6pcs
	CL x 1pc
	CR x 1pc



# STEP 2



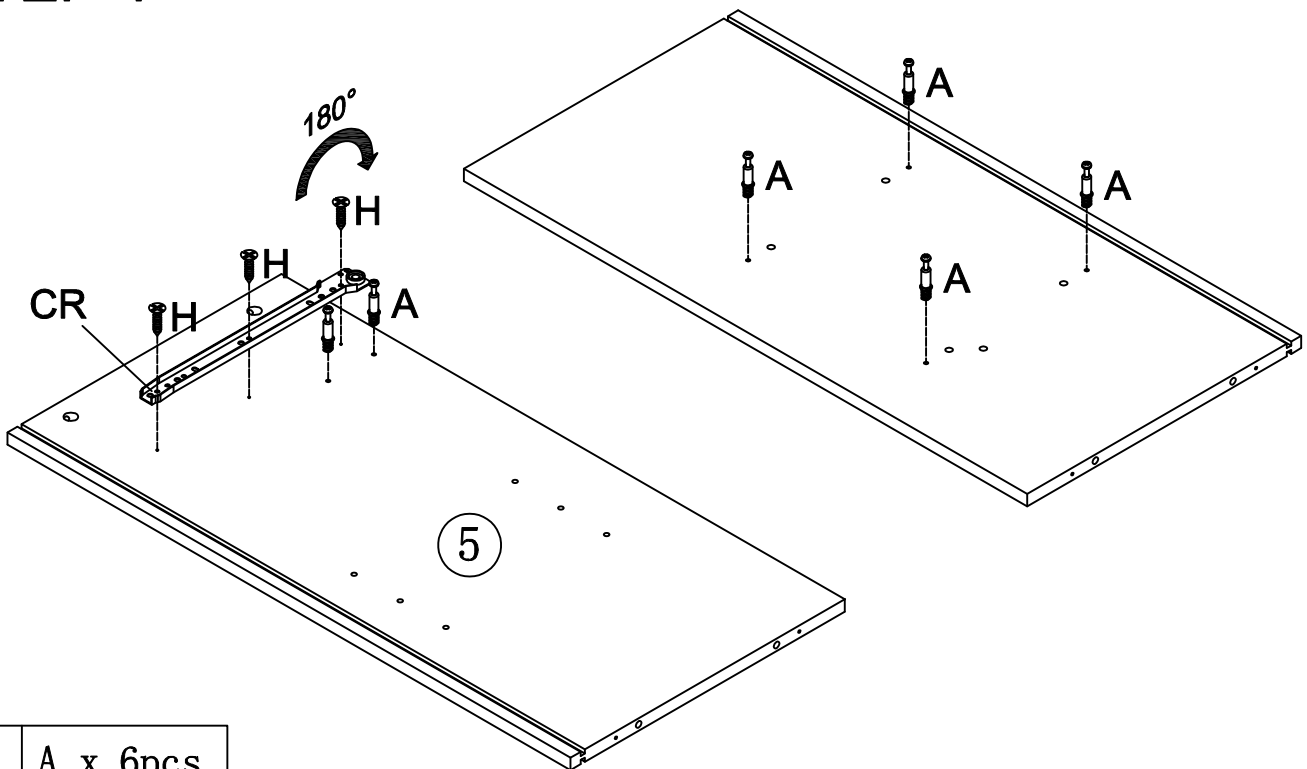
	A x 6pcs
--	----------


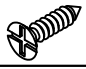
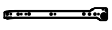
# STEP 3



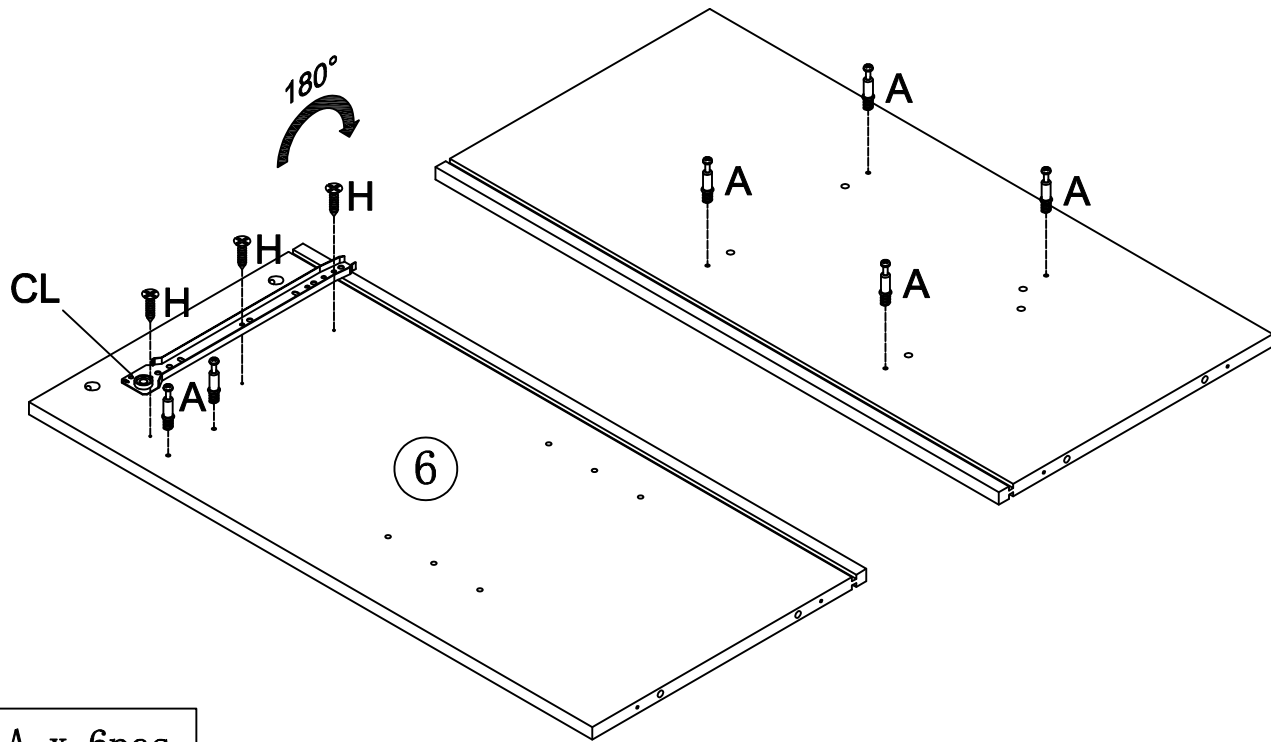
	B x 6pcs
	C x 4pcs

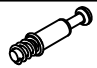


# STEP 4



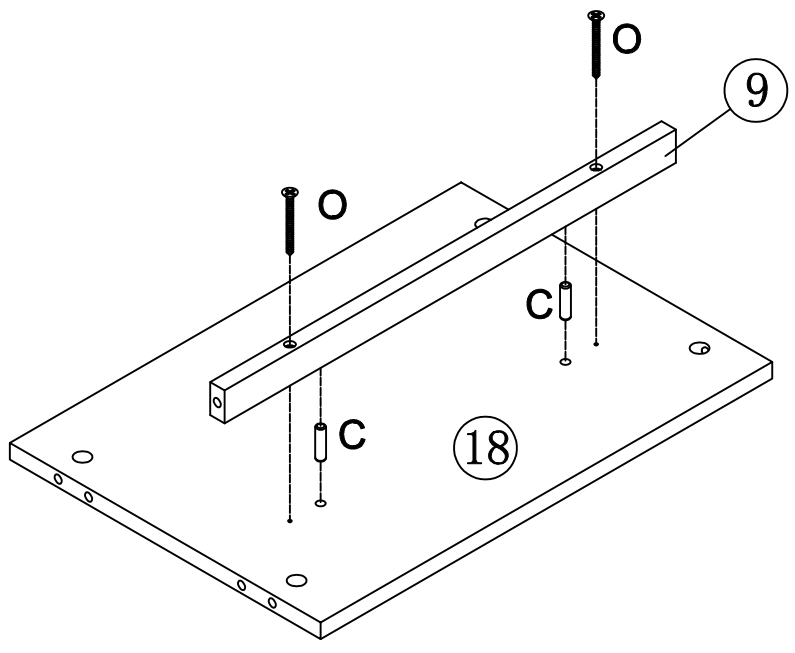
	A x 6pcs
	H x 3pcs
	CR x 1pc



# STEP 5



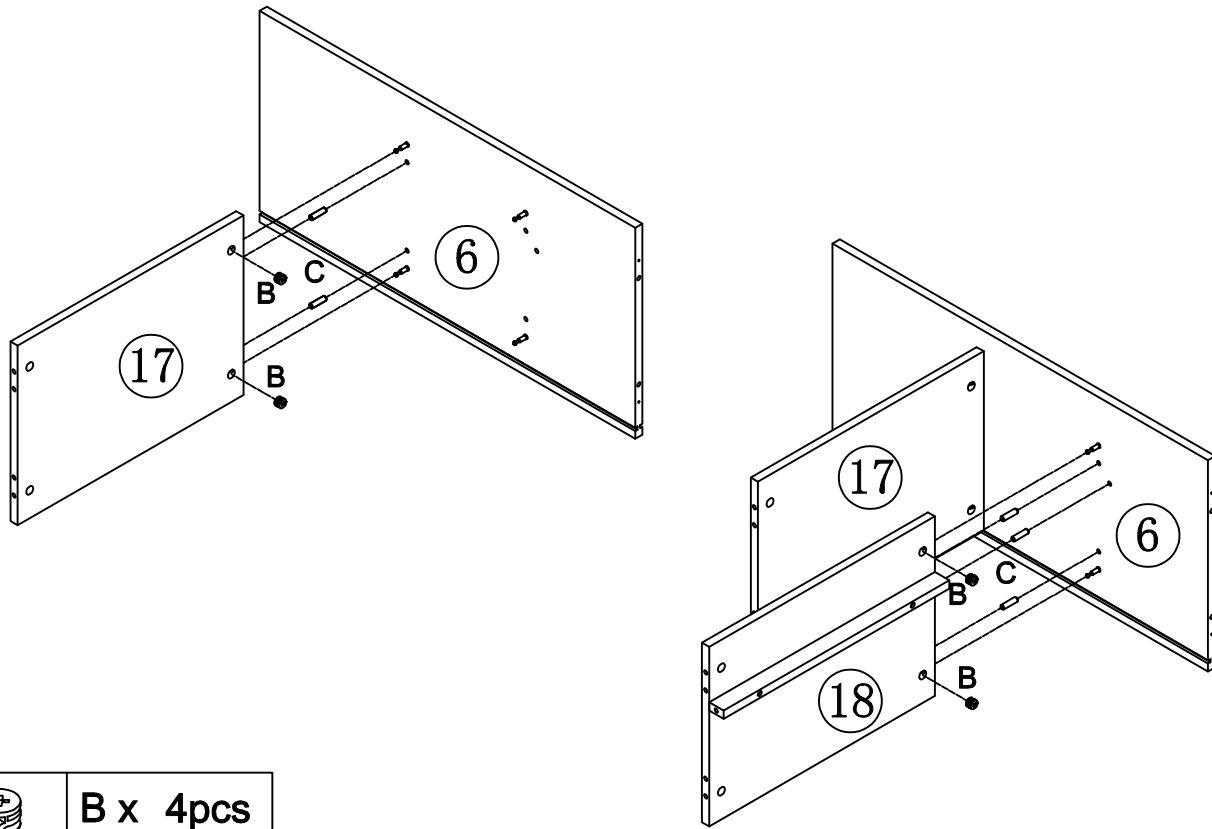
	A x 6pcs
	H x 3pcs
	CL x 1pc



# STEP 6



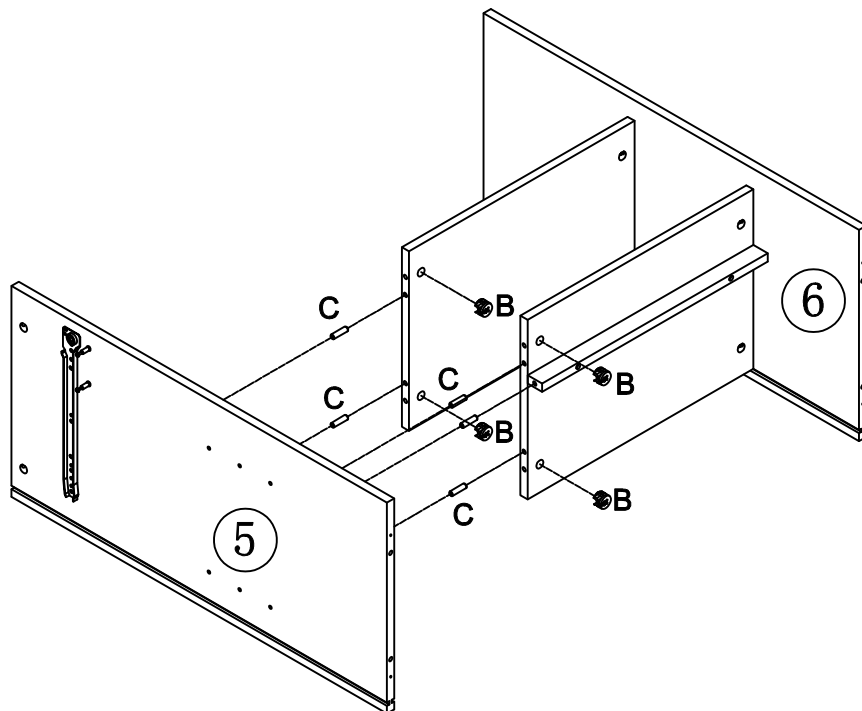
	C x 2pcs
	O x 2pcs



# STEP 7



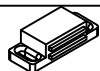
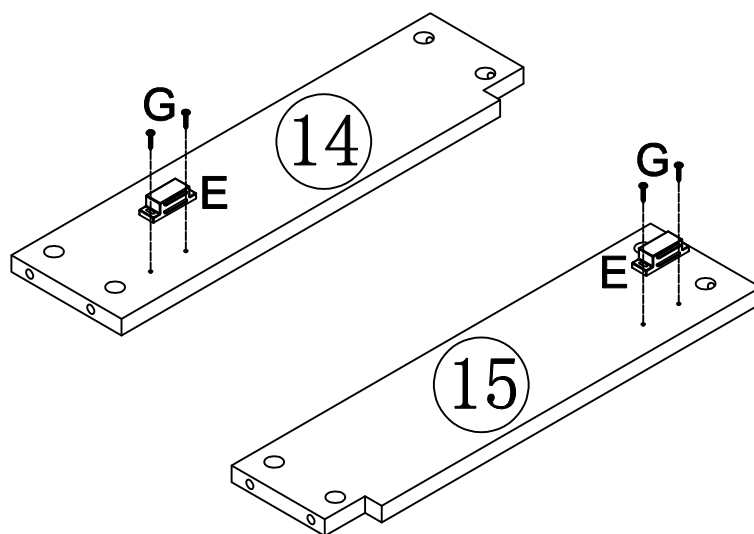
	B x 4pcs
	C x 5pcs

# STEP 8



	B x 4pcs
	C x 5pcs

# STEP 9

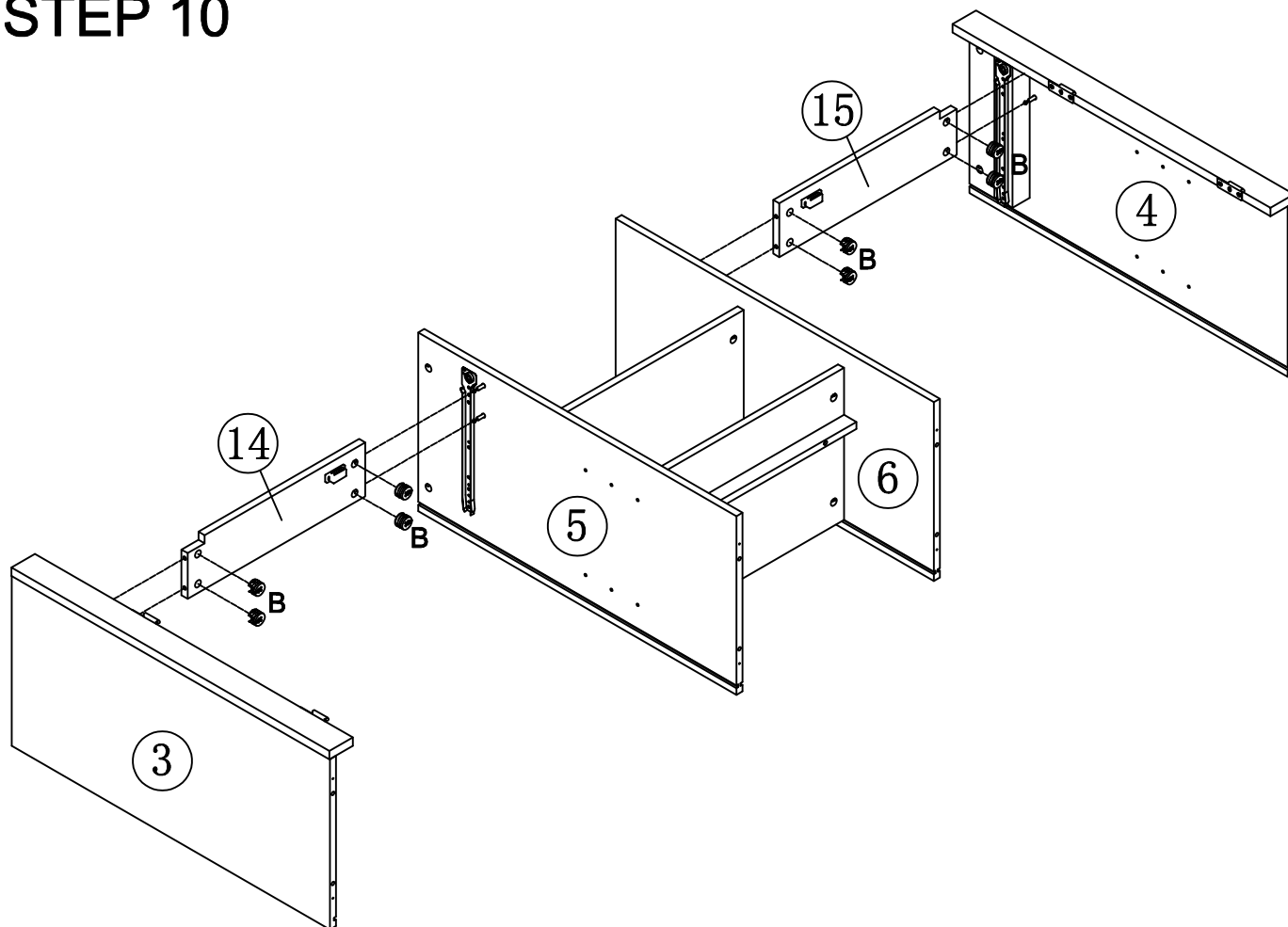


E x 2pcs



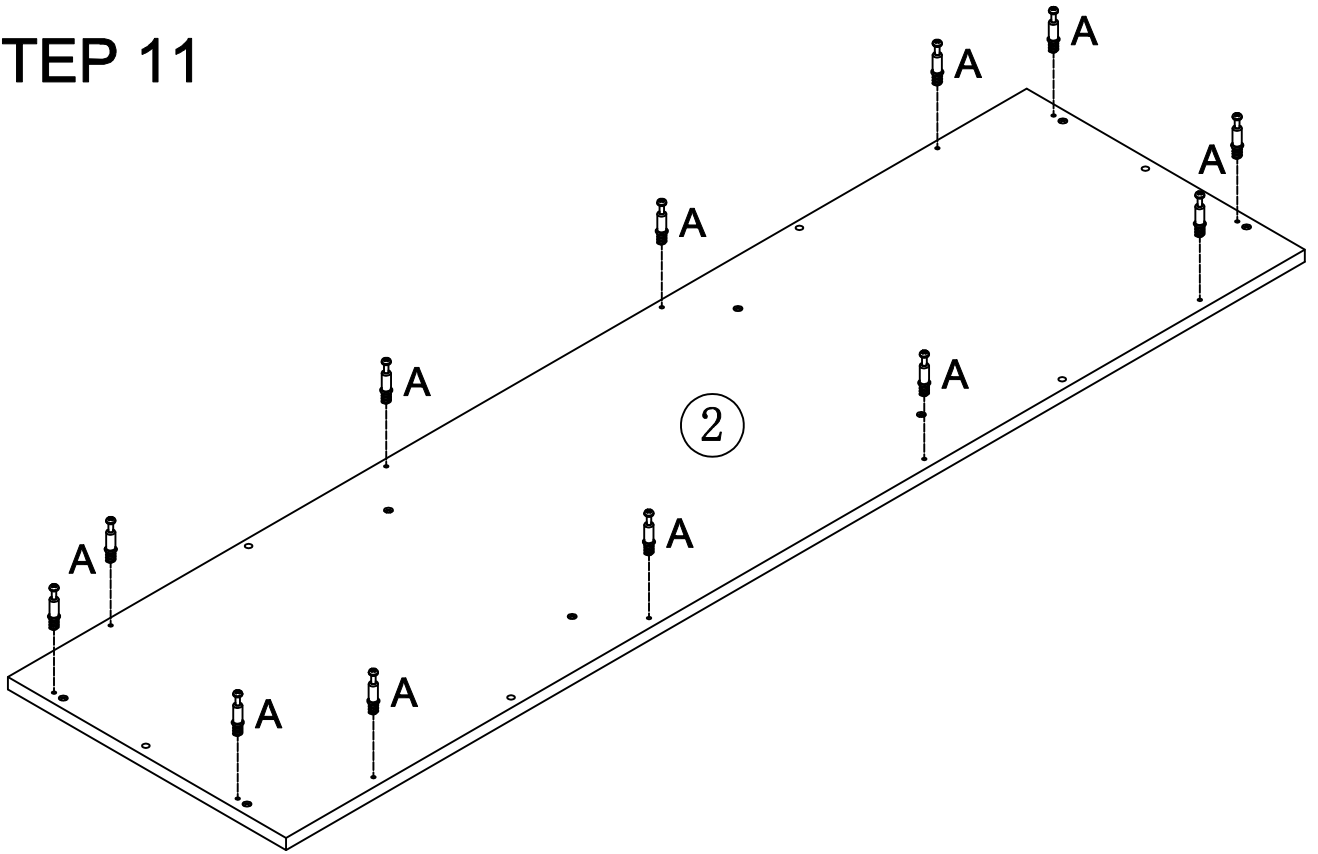
G x 4pcs

# STEP 10



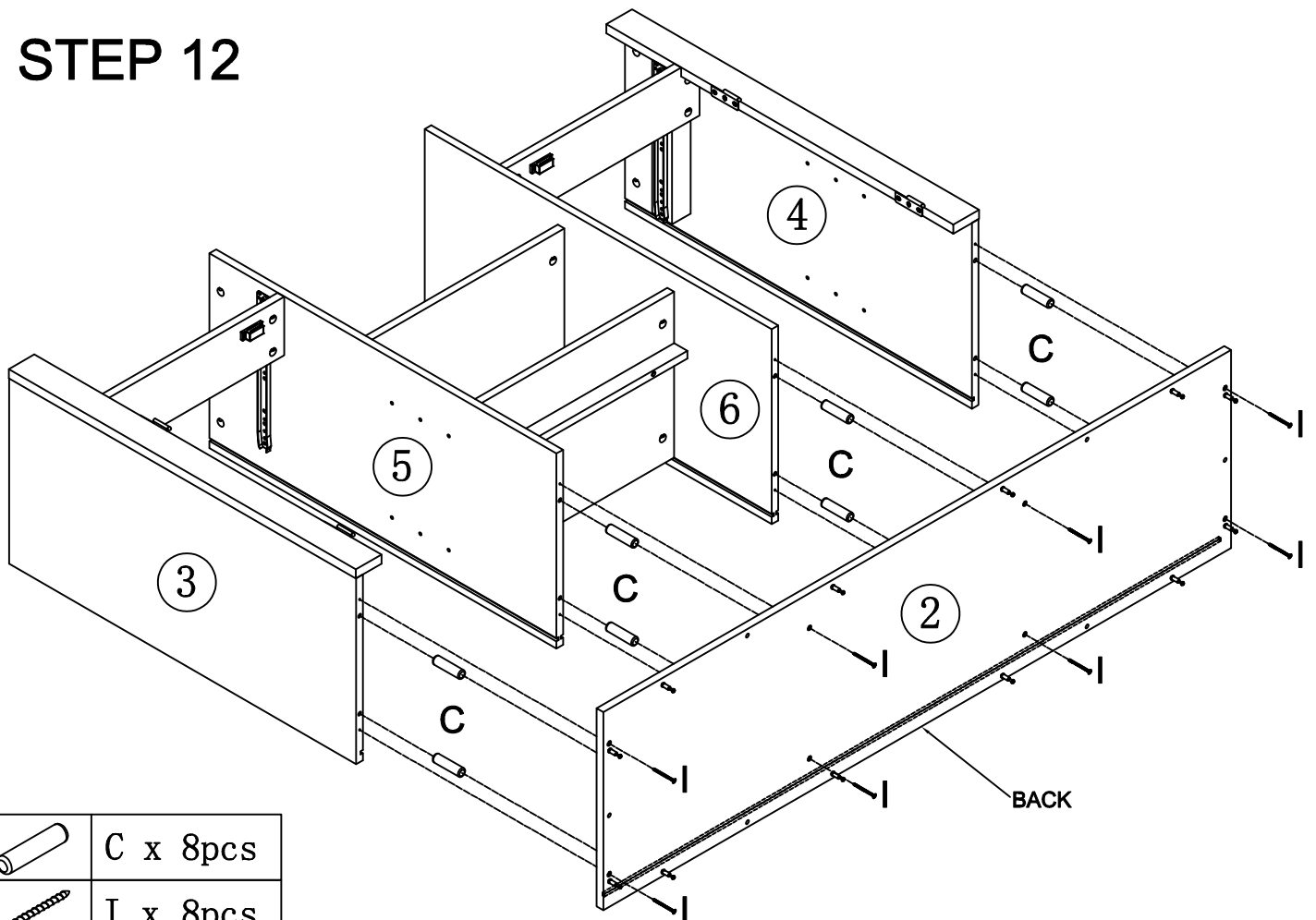
B x 8pcs

# STEP 11



A x 12pcs

# STEP 12

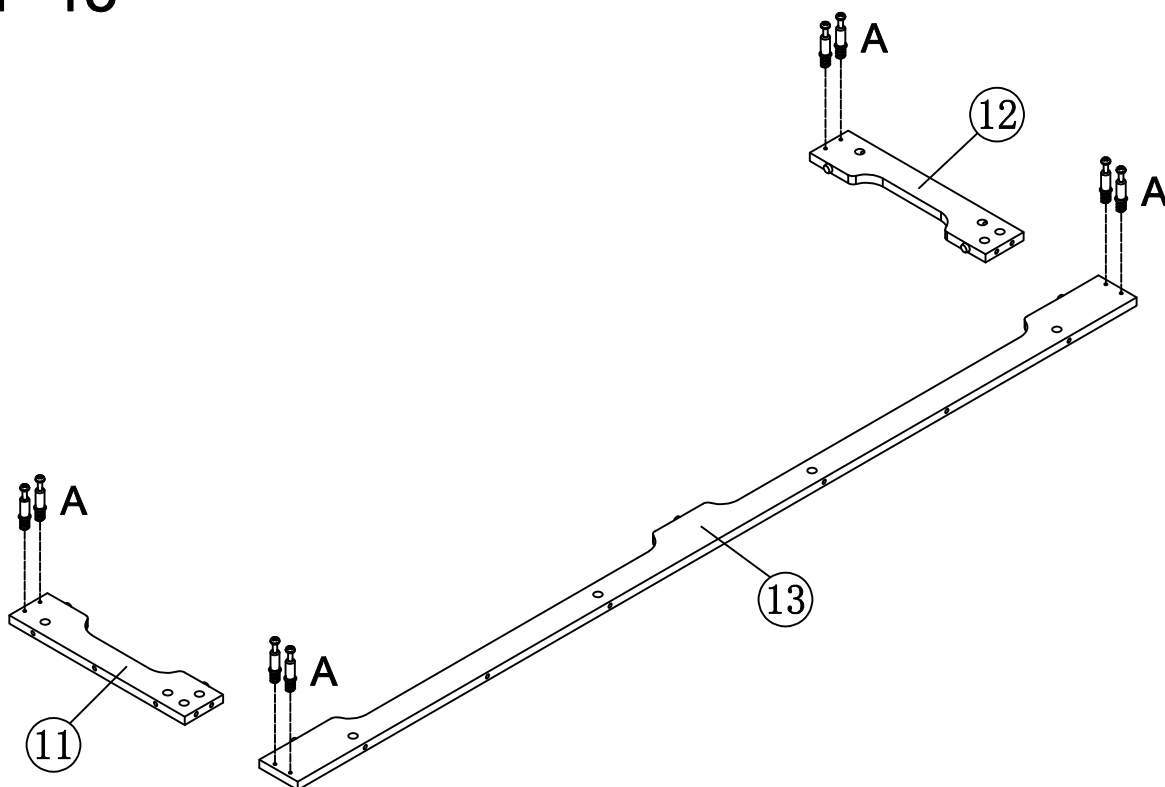


C x 8pcs



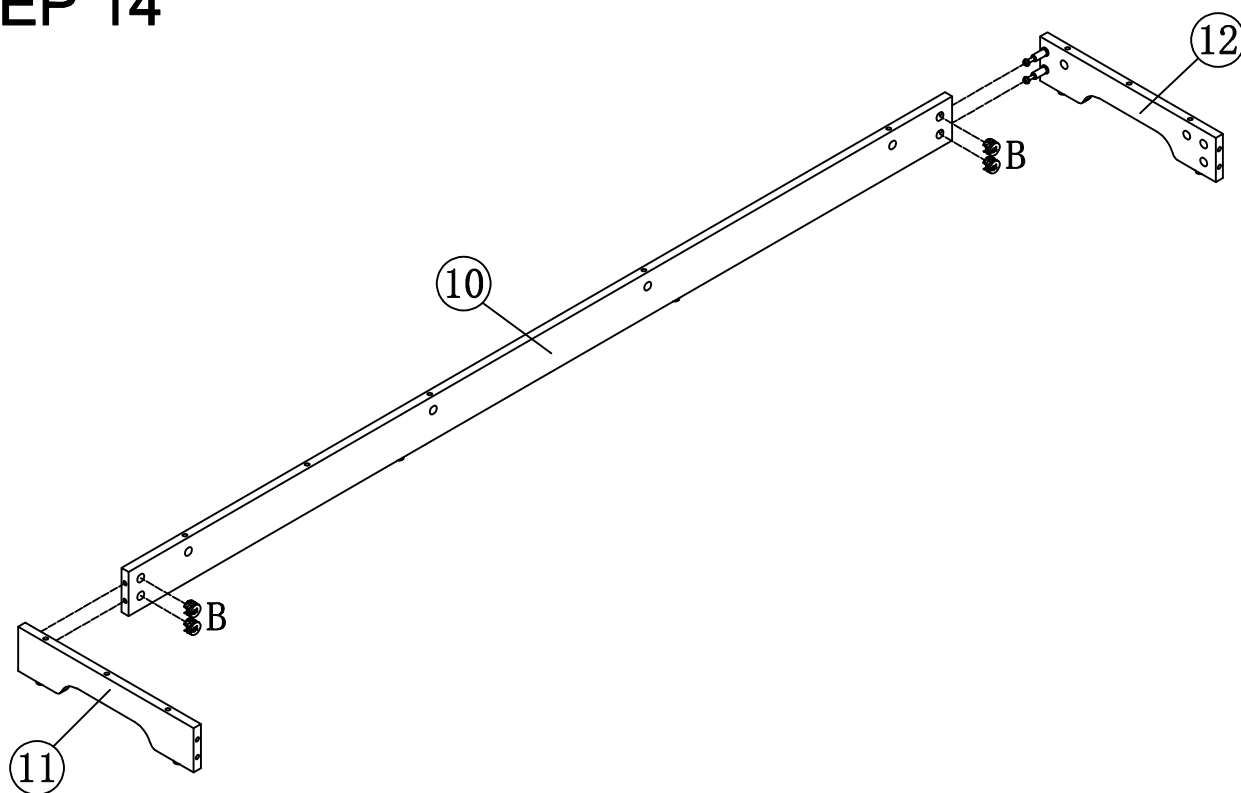
I x 8pcs

# STEP 13



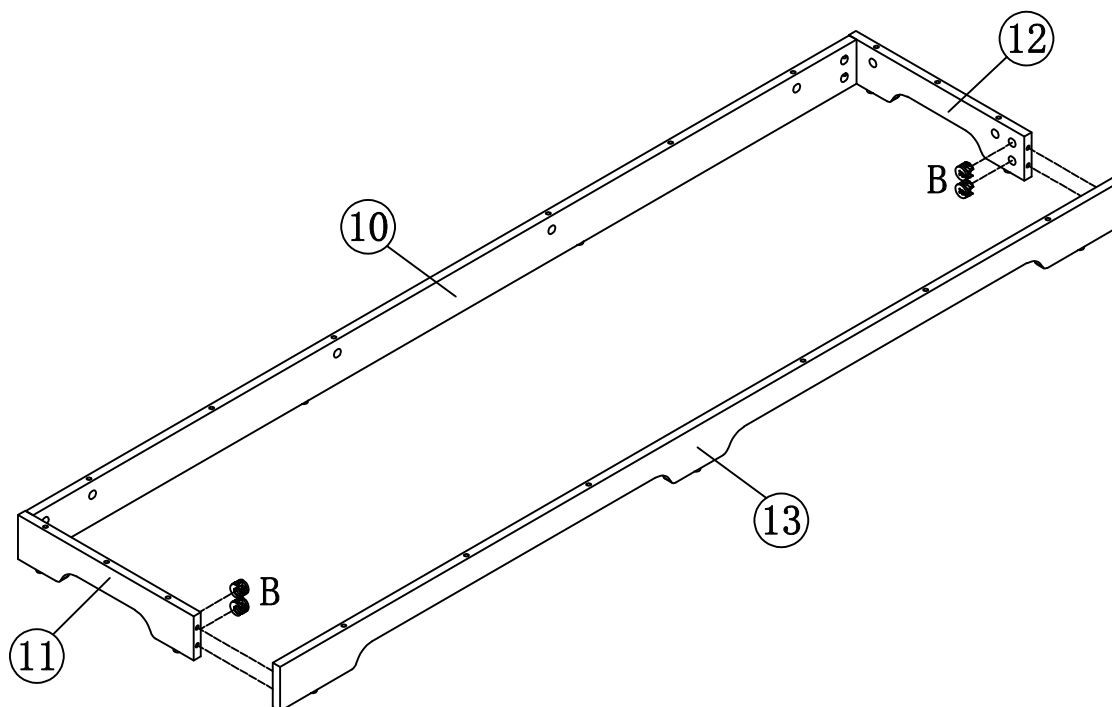
A x 8pcs

# STEP 14



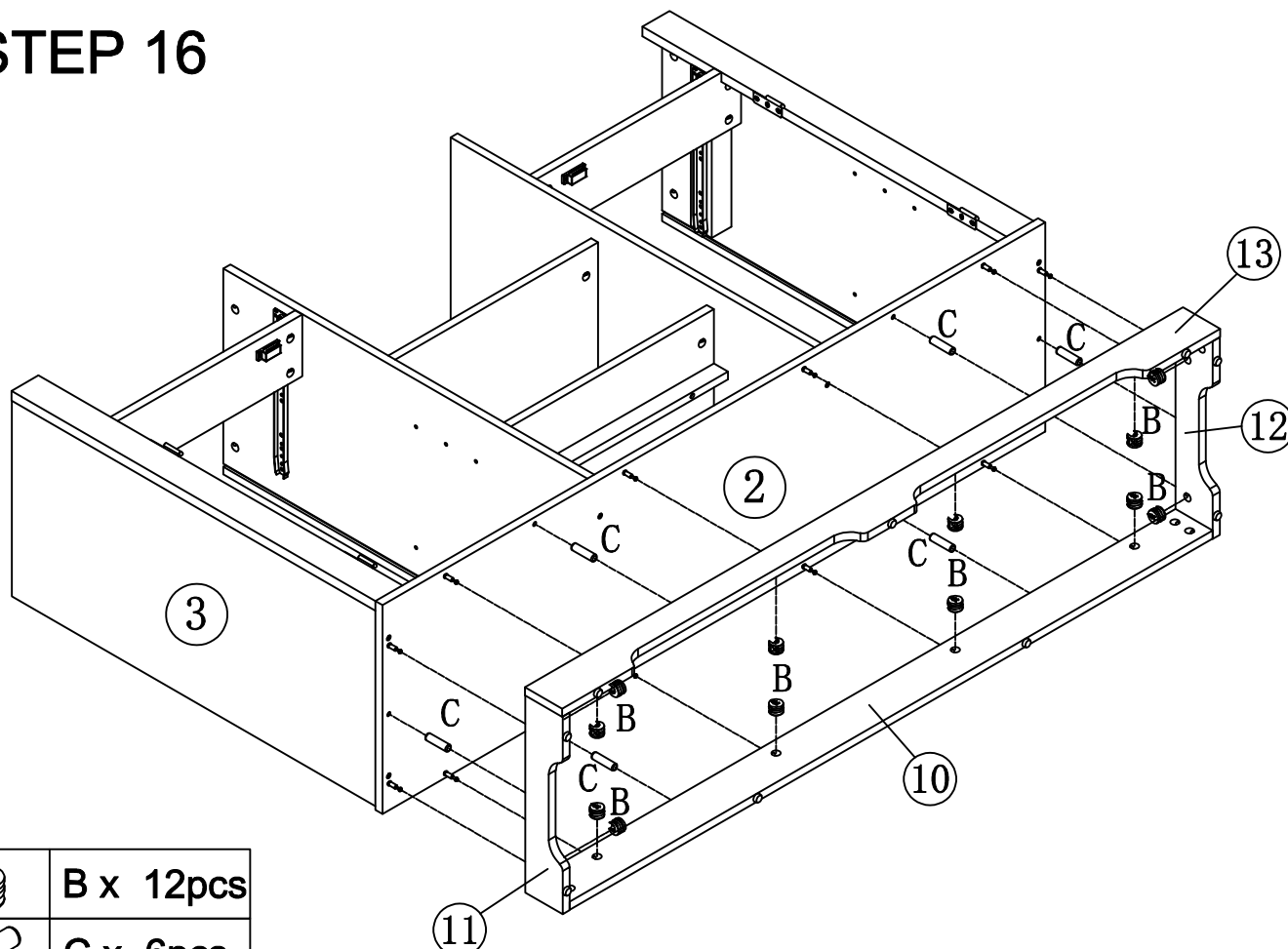
B x 4pcs

# STEP 15



B x 4pcs

# STEP 16

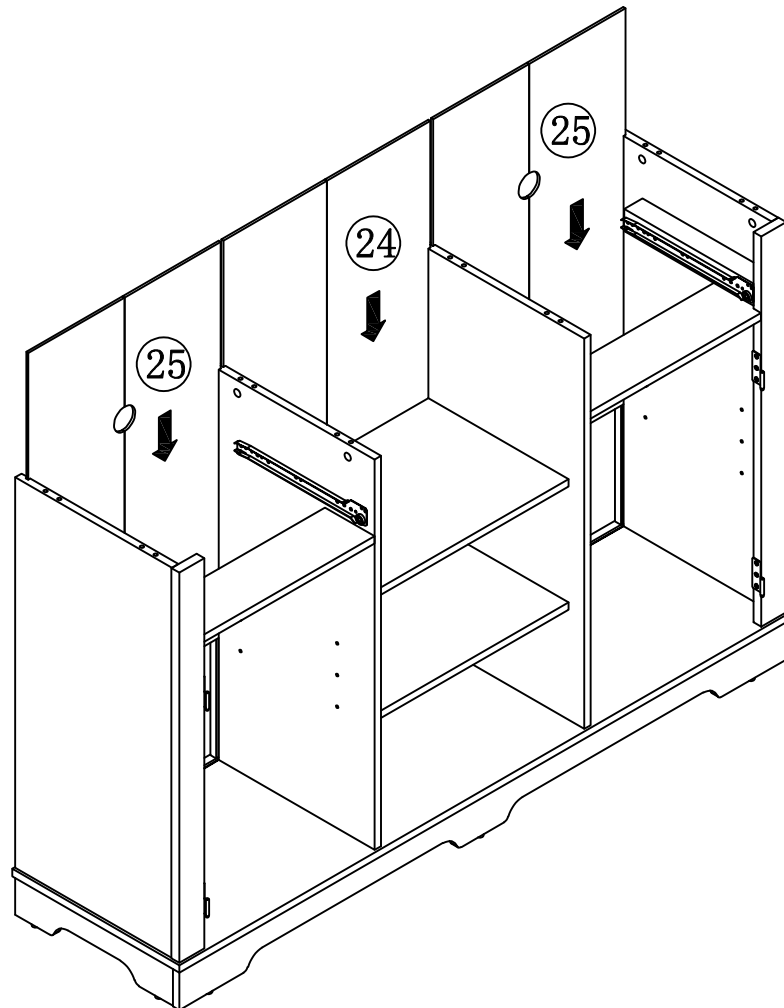


B x 12pcs

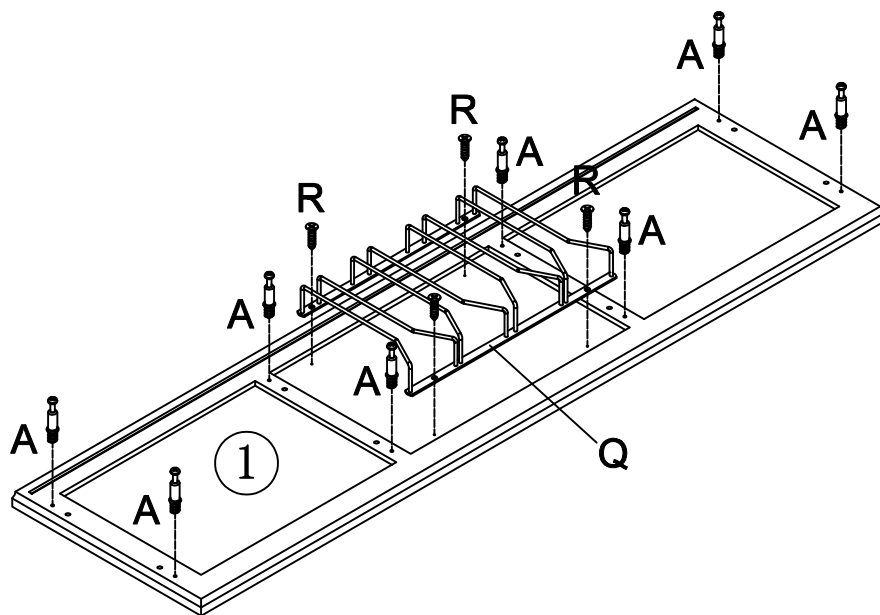




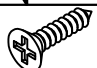
C x 6pcs

# STEP 17

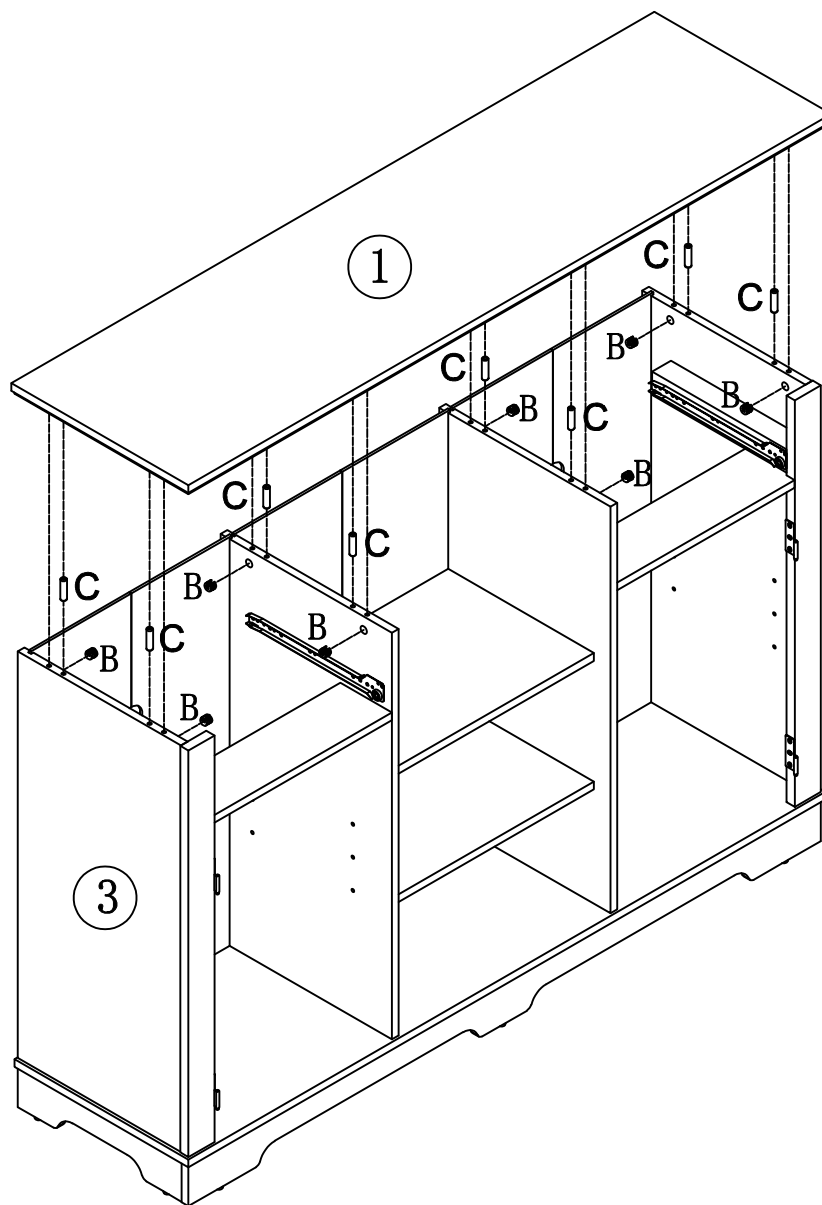




# STEP 18



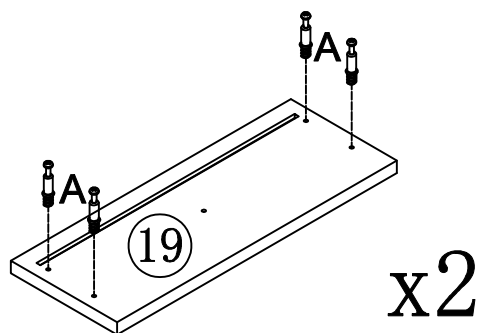
	A x 8pcs
	Q x 1pc
	R x 4pcs


# STEP 19



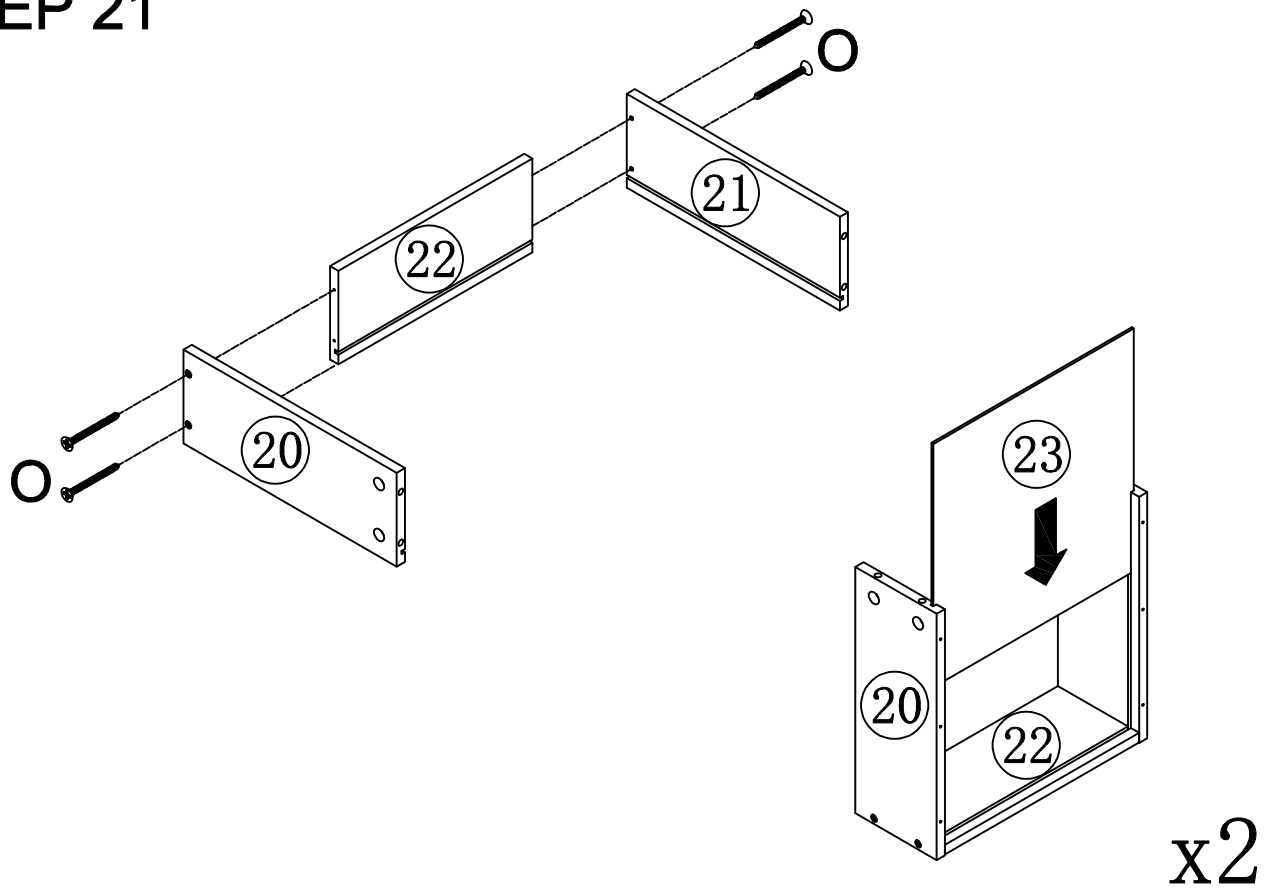
	B x 8pcs
	C x 8pcs


# STEP 20



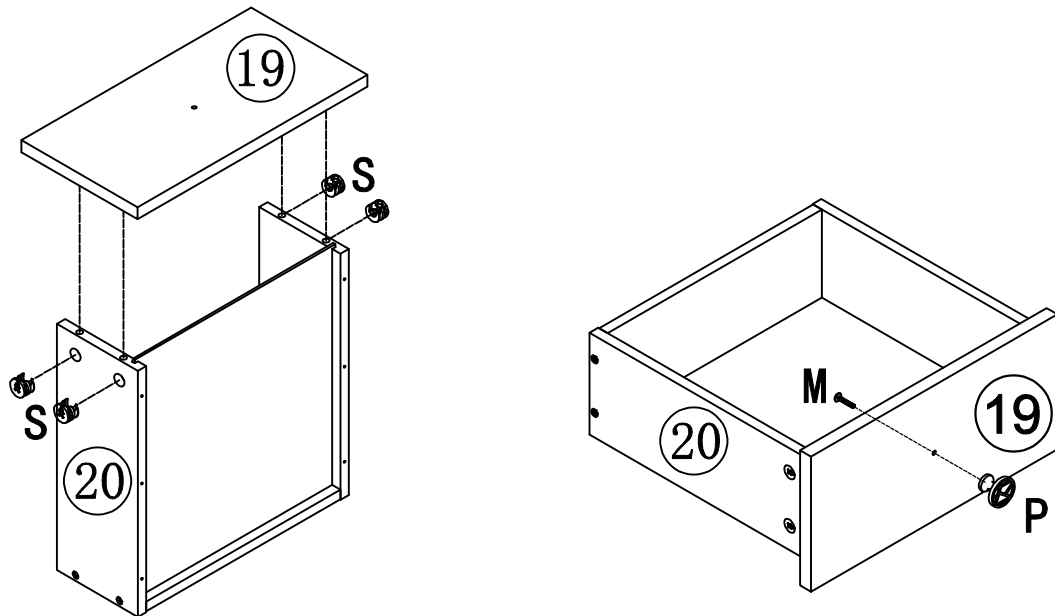
	A x 8pcs
--	----------




# STEP 21



	0 x 8pcs
--	----------

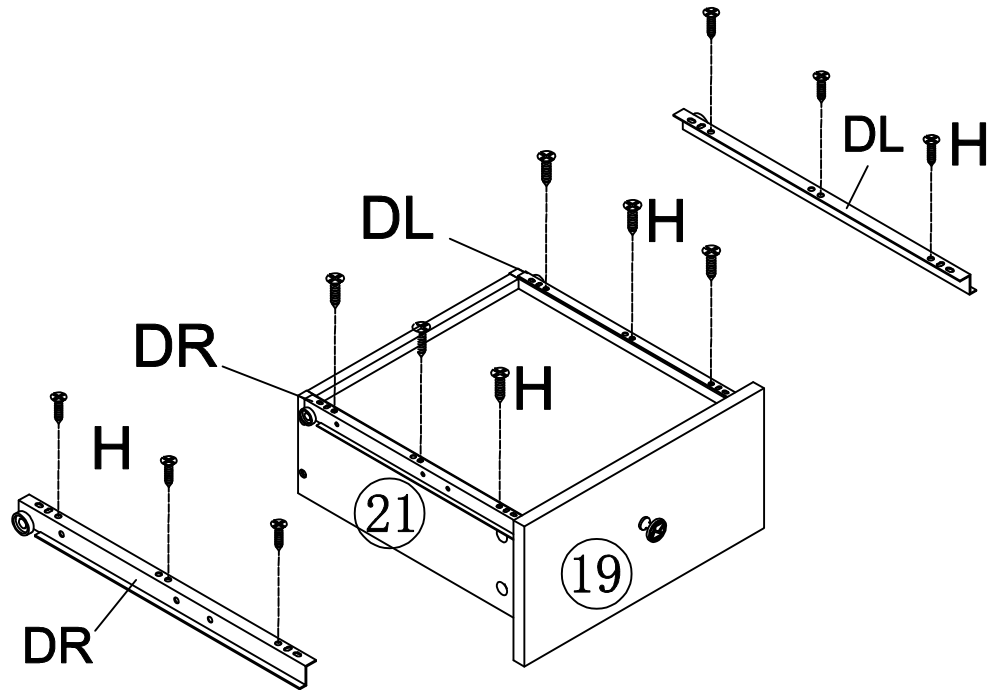
# STEP 22






	M x 2pcs
	P x 2pcs
	S x 8pcs

x2

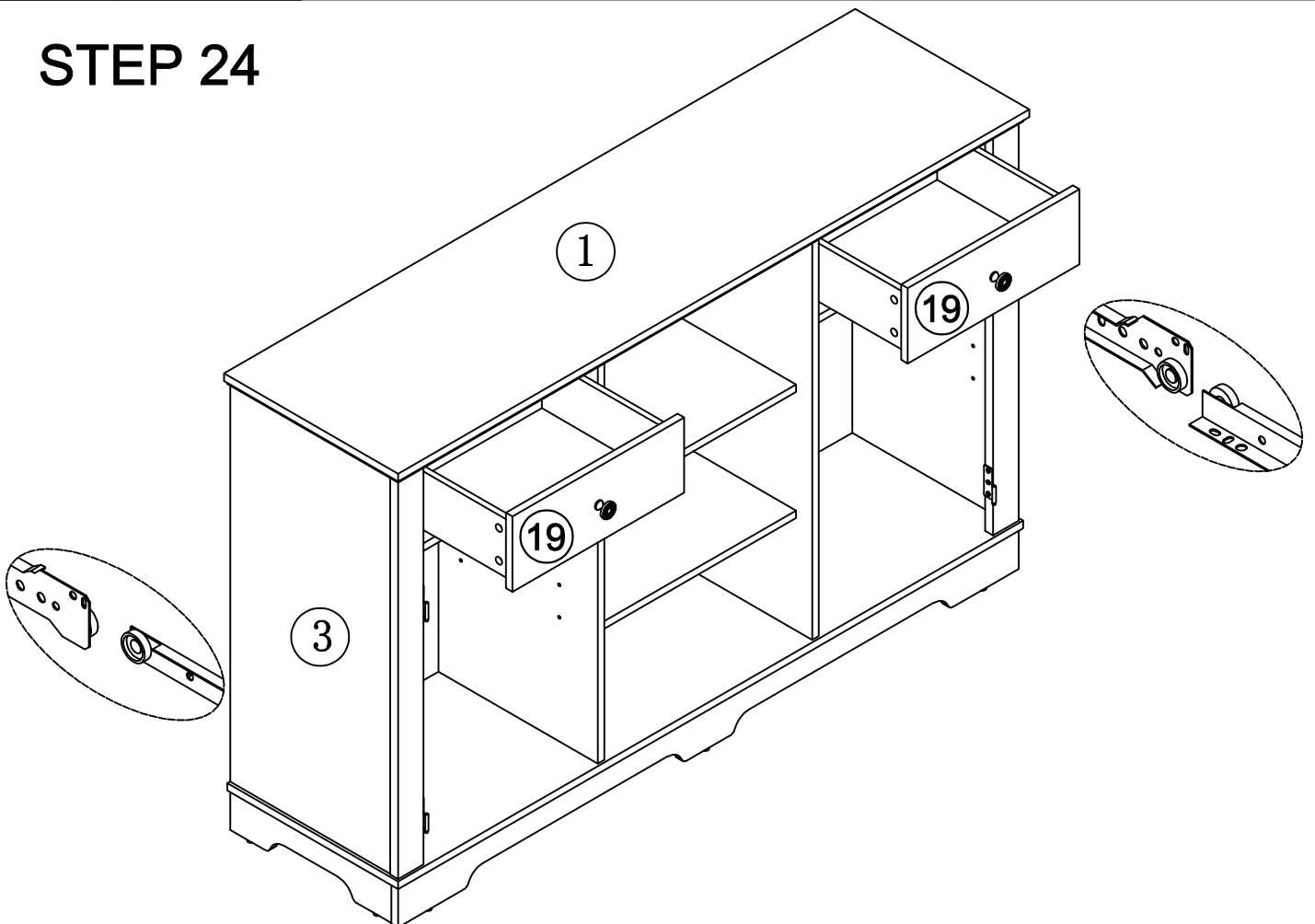
# STEP 23



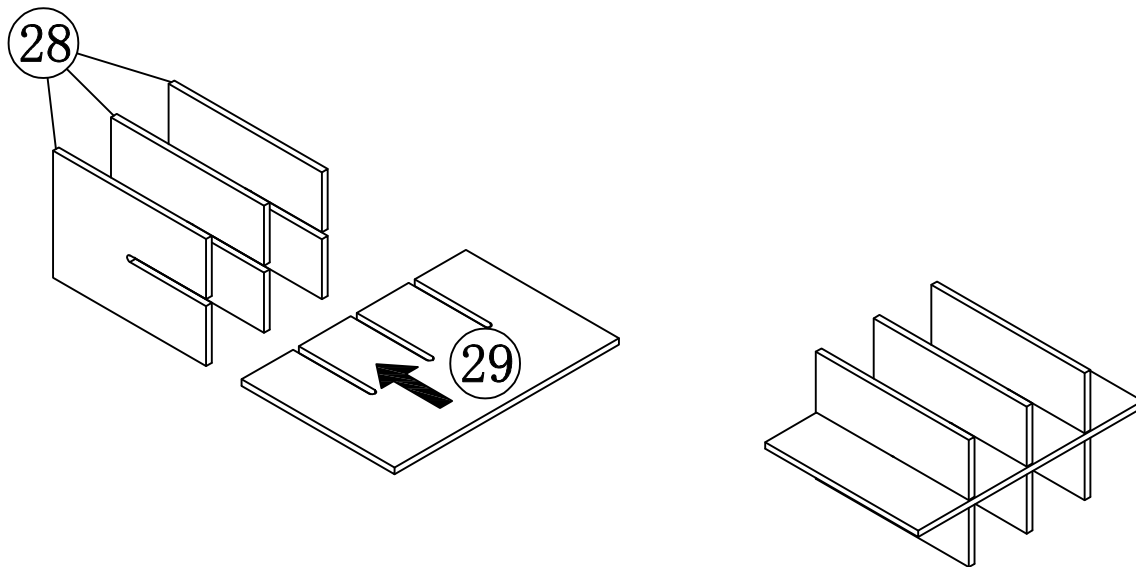
	H x 12pcs
	DL x 2pcs
	DR x 2pcs

x2

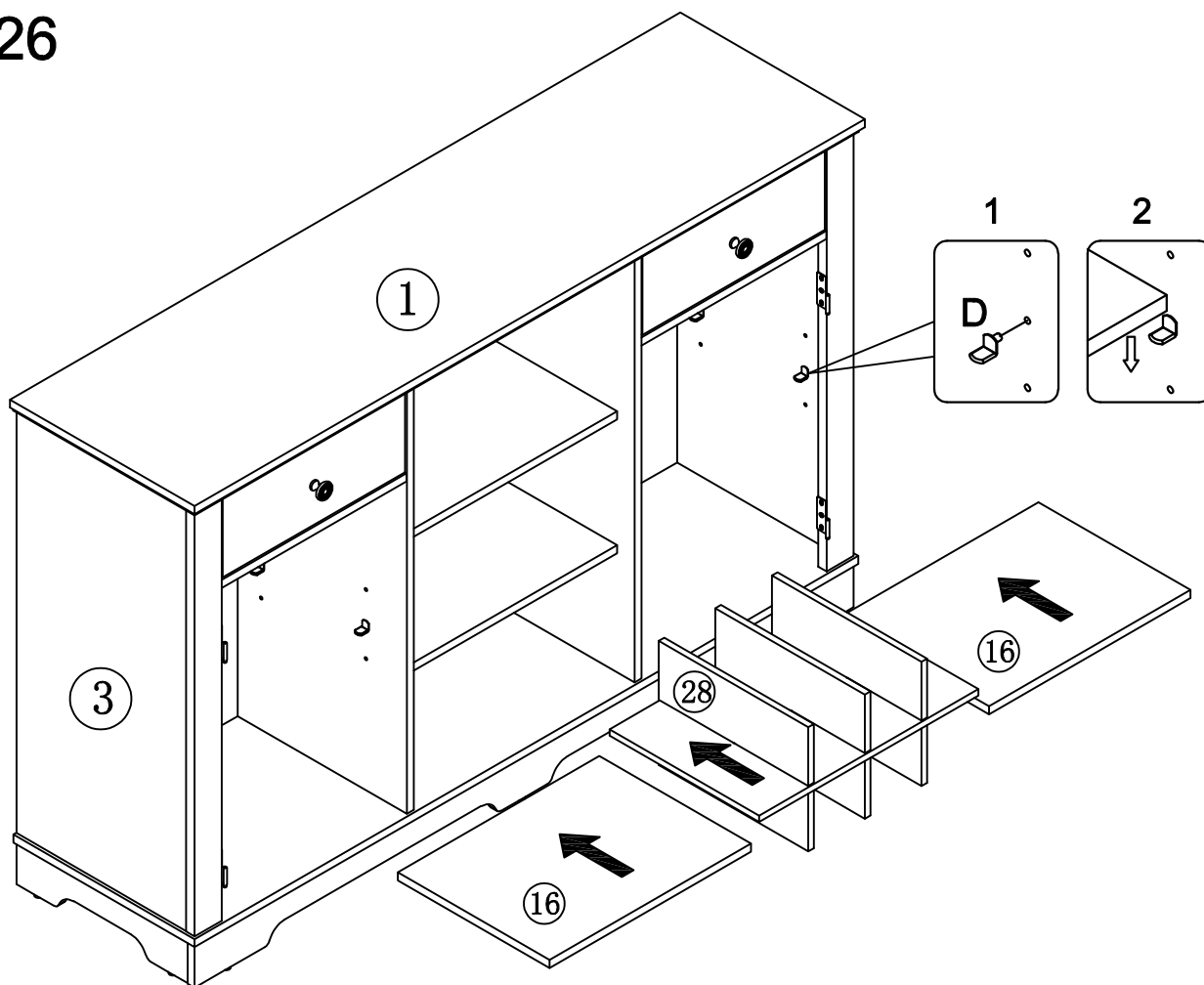
# STEP 24



# STEP 25

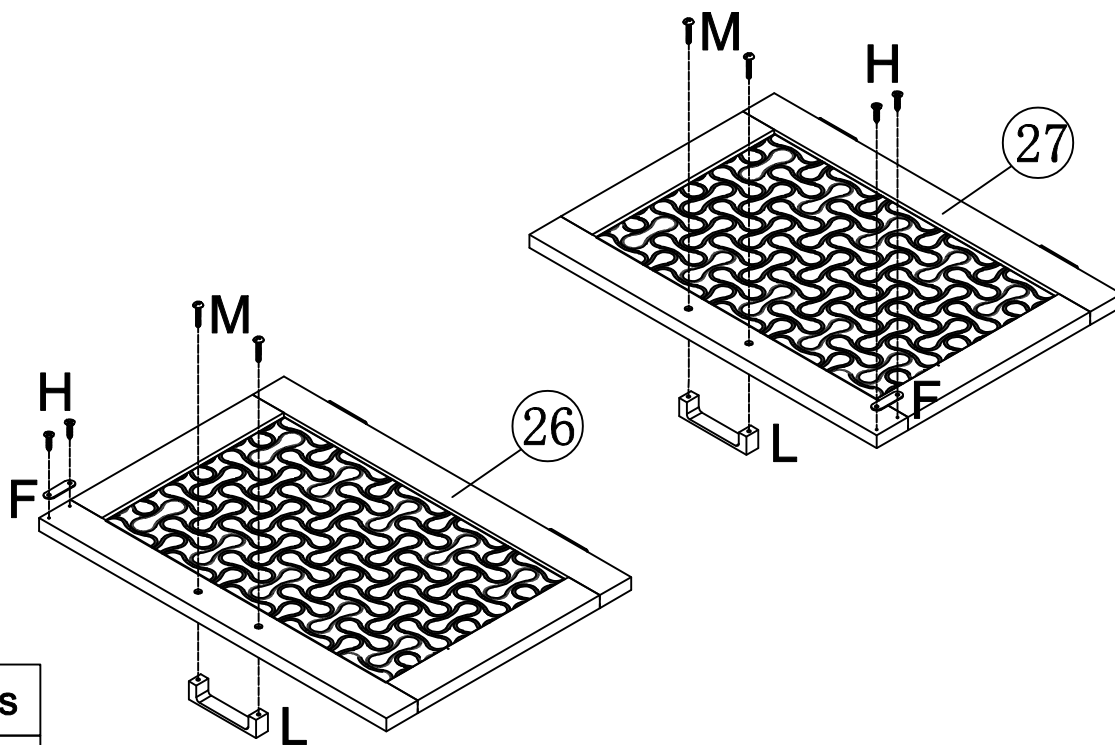






# STEP 26



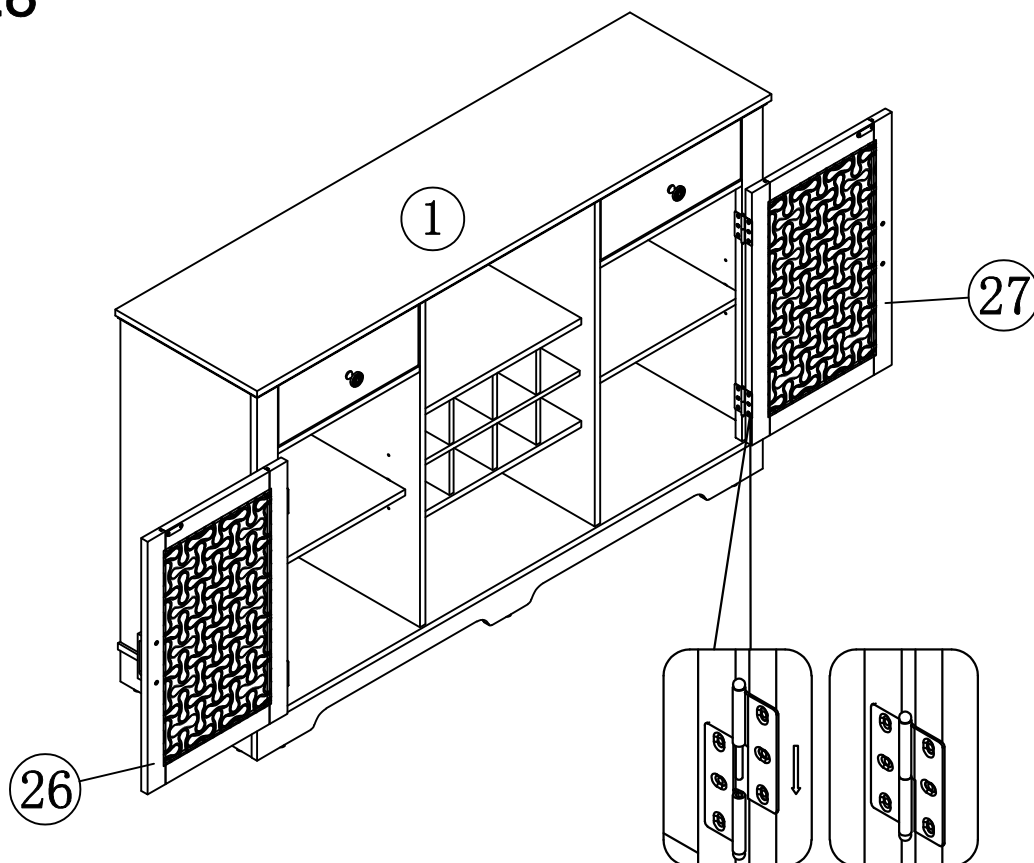
D x 8pcs

# STEP 27

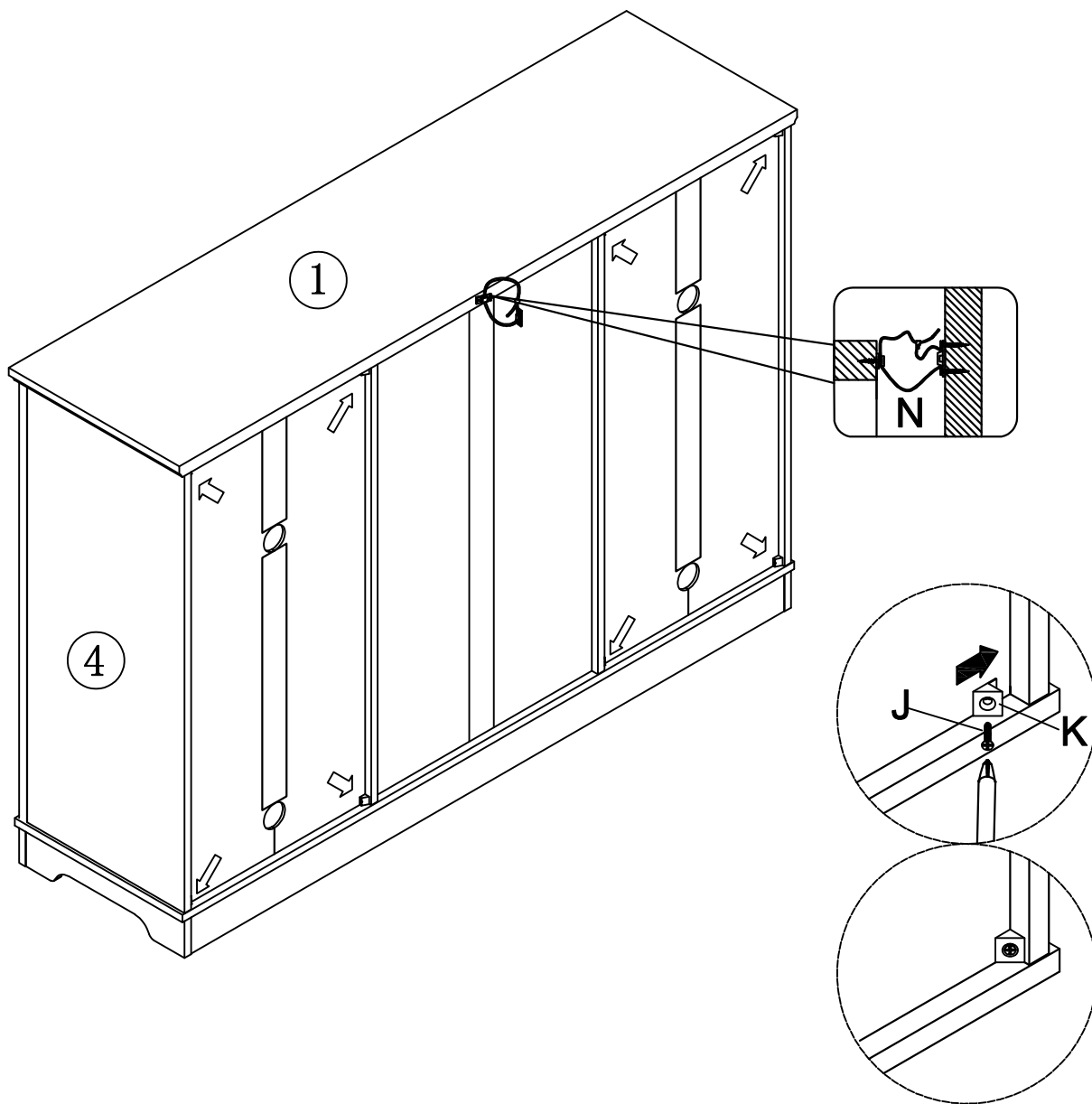




	F x 2pcs
	H x 4pcs
	L x 2pcs
	M x 4pcs

# STEP 28



# STEP 29



	N x 1pc
	K x 8pcs
	J x 8pcs