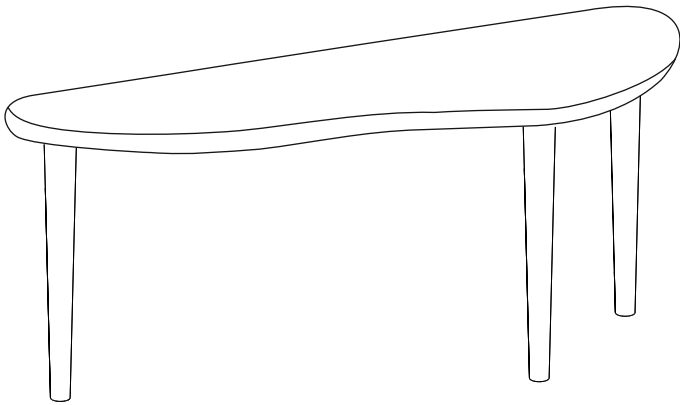


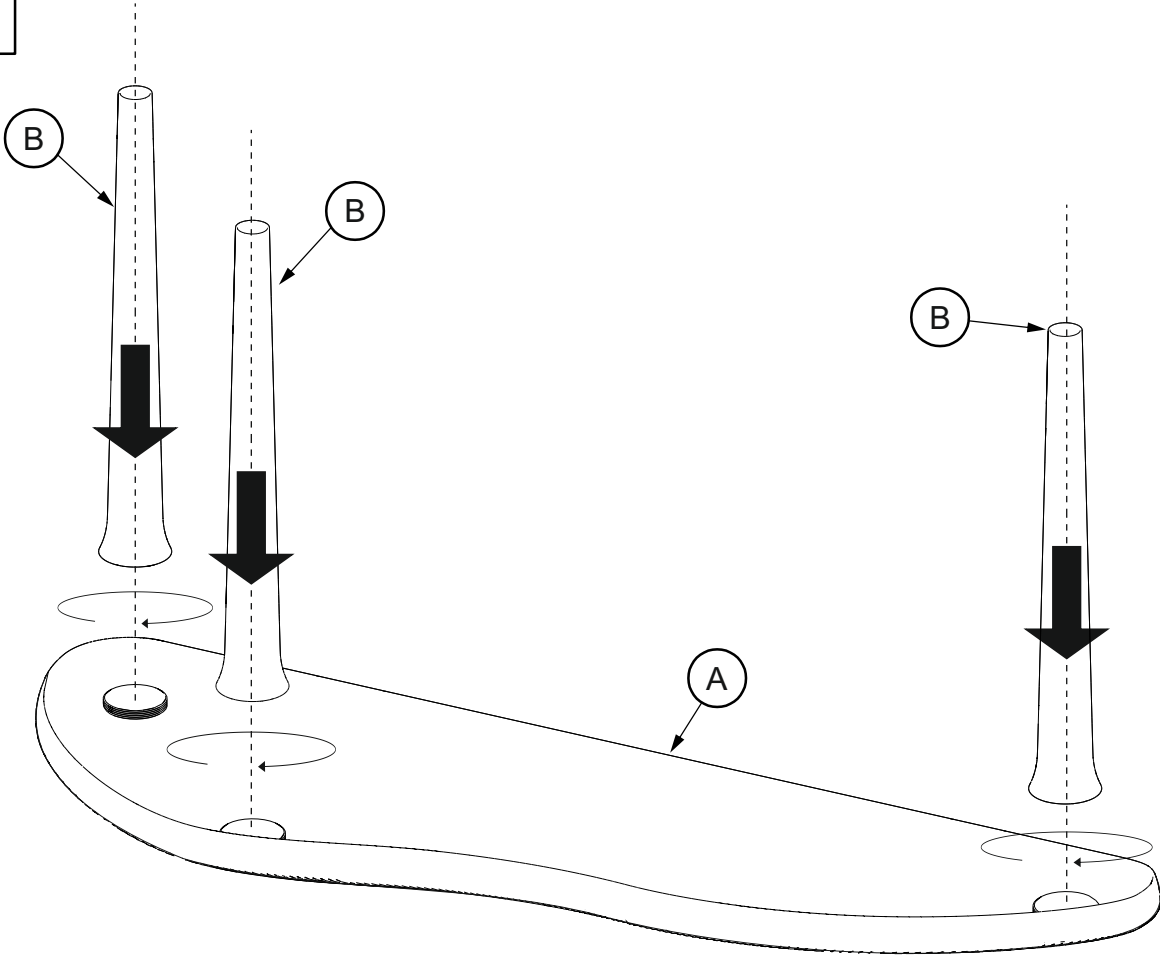
ASSEMBLY INSTRUCTION FOR

AXEL CONSOLE TABLE



| HARDWARE LIST | | | | |
|---------------|--|------|----------------------|---|
| A | | TOP | 1651 X 495 76 mm. | 1 |
| B | | LEGS | Ø114 X 749 mm. | 3 |

Step 1



Step 2

