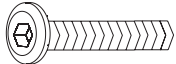
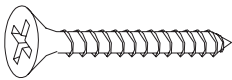
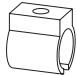
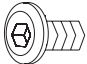
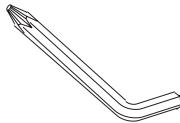
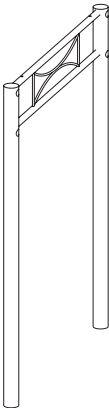

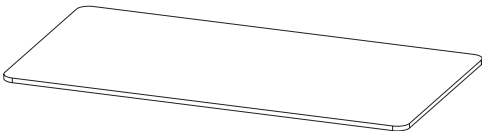
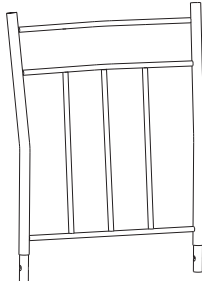
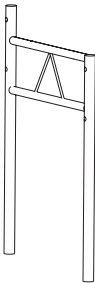

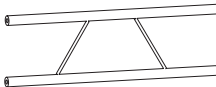
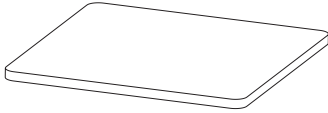



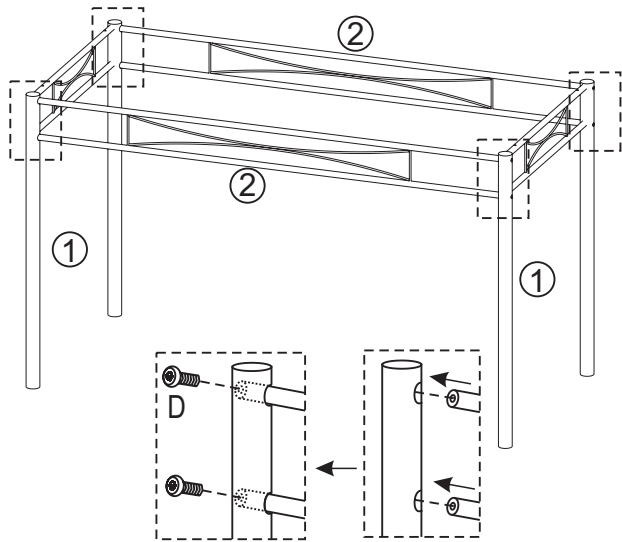
<p>A</p>  <p>M6x30mm 48pcs</p>	<p>B</p>  <p>ST4X25mm 28pcs</p>	<p>C</p>  <p>4PCS</p>	<p>D</p>  <p>M6X12mm 8PCS</p>	 <p>1PCS</p>	
--	---	---	---	---	--

<p>①</p>  <p>2PCS</p>	<p>②</p>  <p>2PCS</p>	<p>③</p>  <p>1PCS</p>	<p>⑤</p>  <p>6pcs</p>
--	---	--	--

<p>⑥</p>  <p>12pcs</p>	<p>⑦</p>  <p>6pcs</p>	<p>⑧</p>  <p>6pcs</p>	<p>⑨</p>  <p>6pcs</p>
---	--	--	--

1

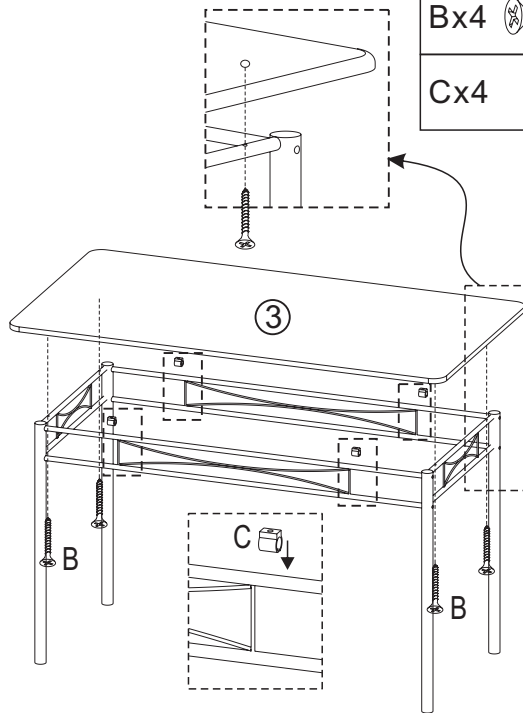
Dx8 



2

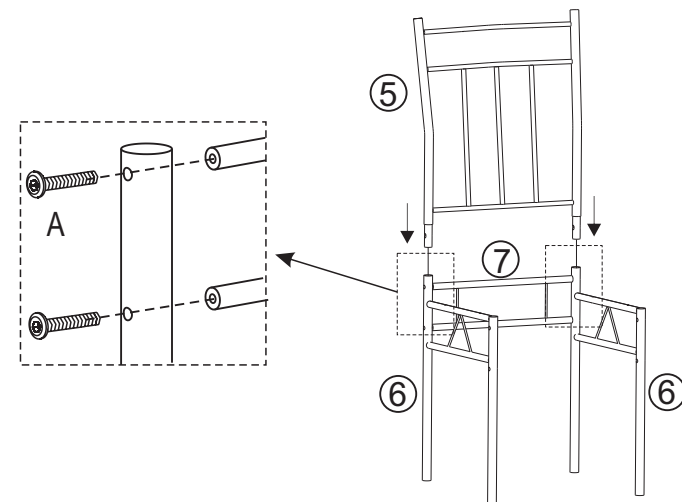
Bx4 

Cx4 



3

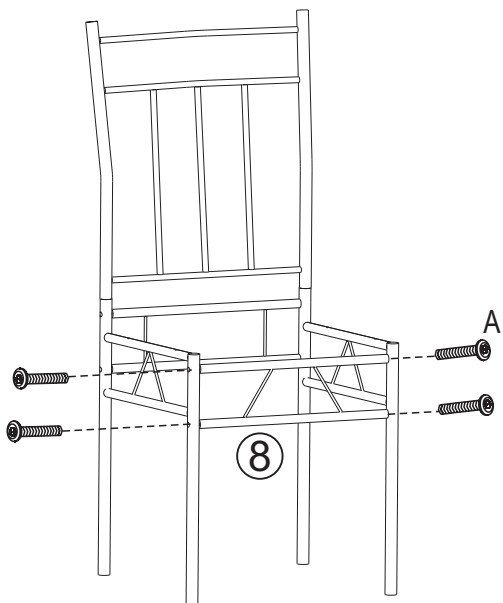
Ax24 



X6

4

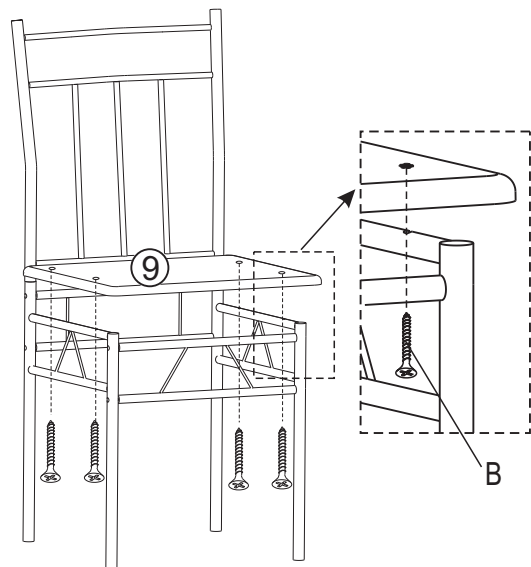
Ax24 



X6

5

Bx24 



X6

6

