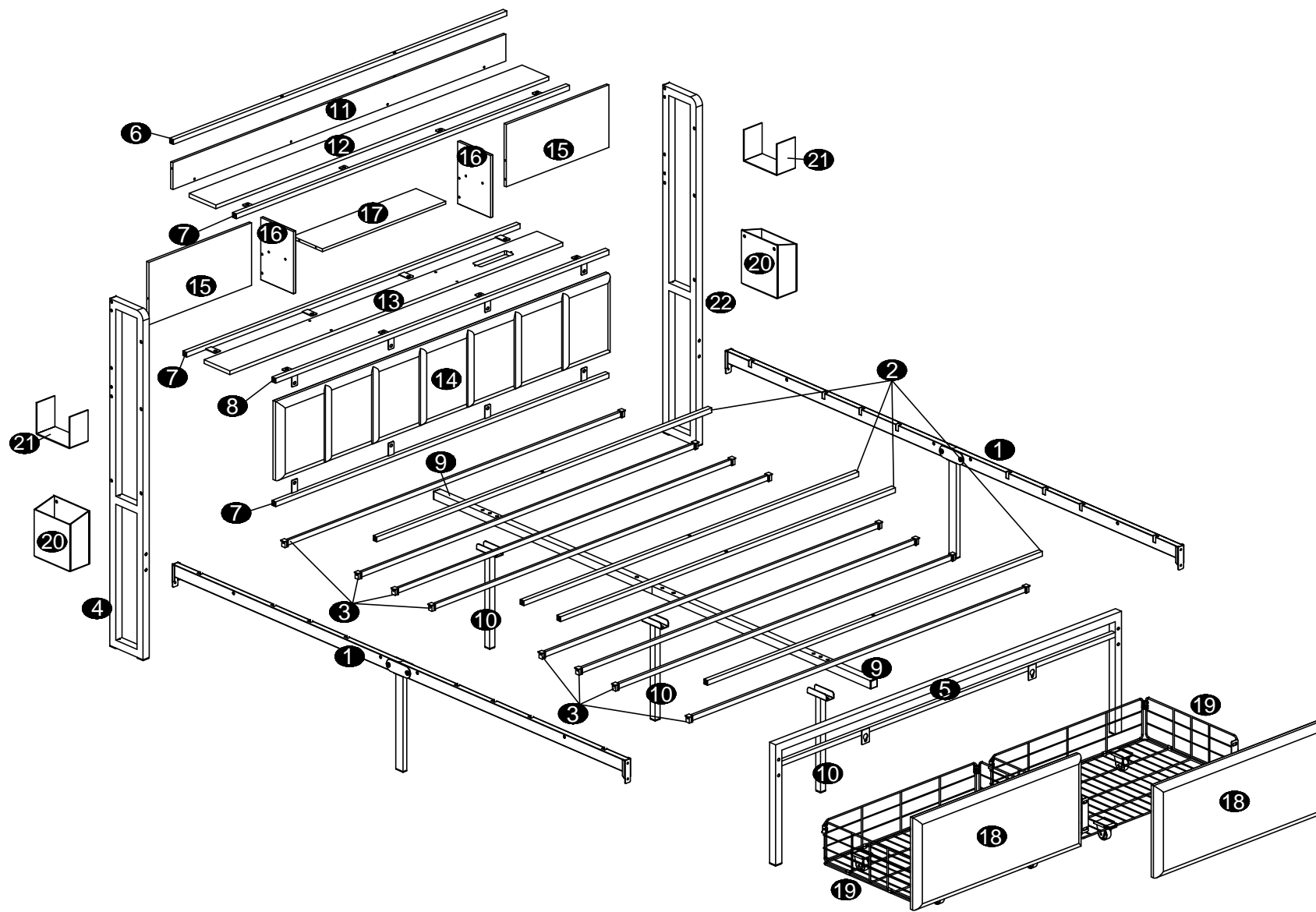


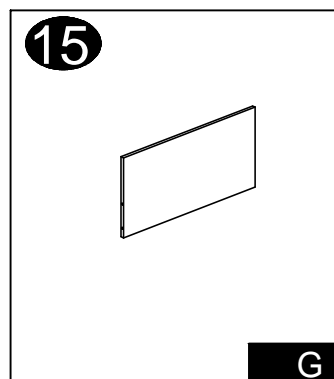
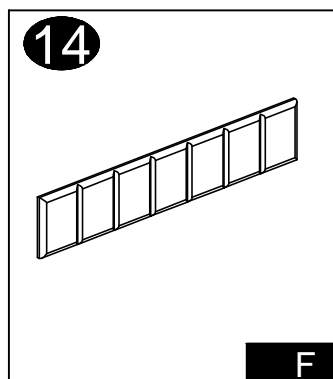
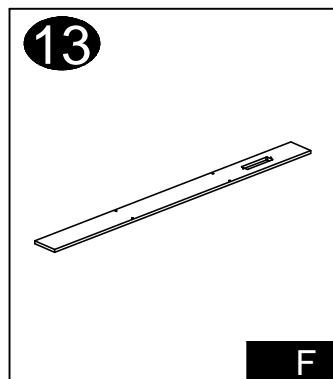
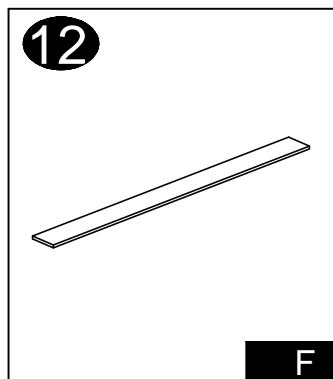
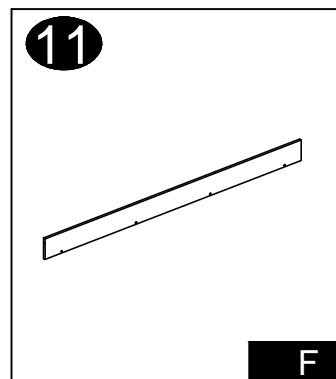
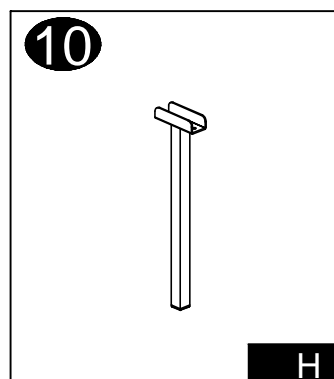
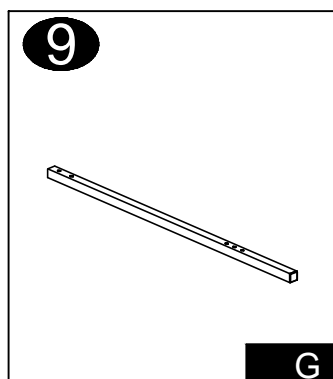
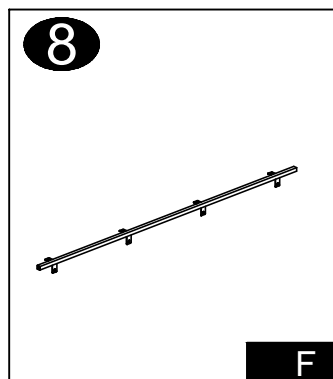
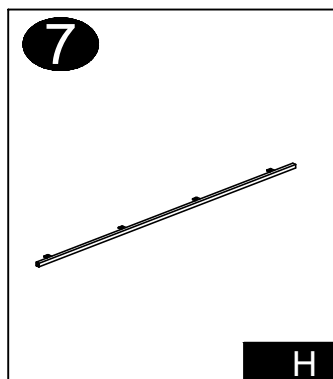
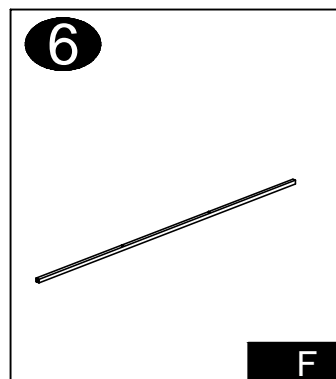
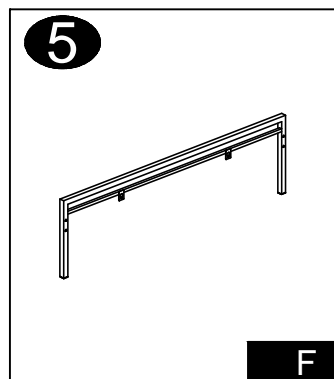
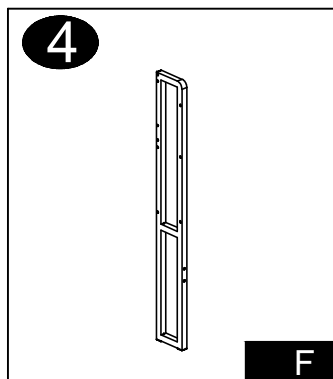
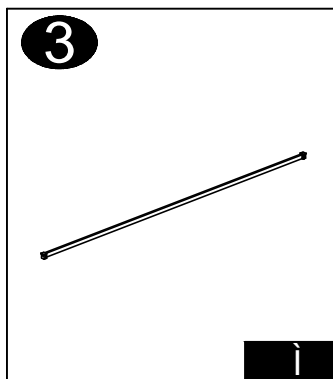
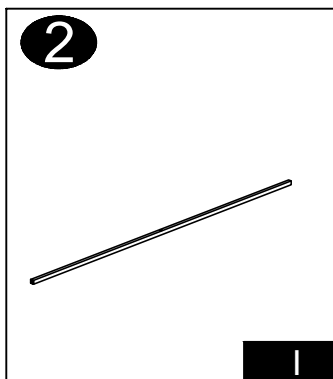
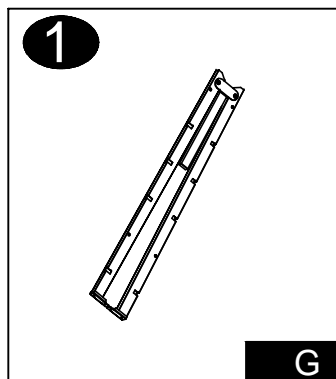
## Bed Frame with LED lights User Manual

# Disassembly Diagram

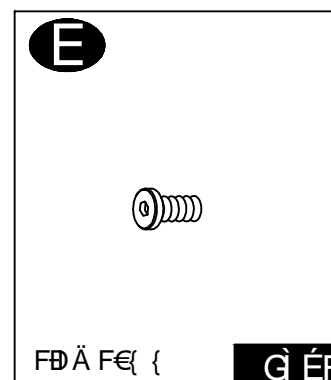
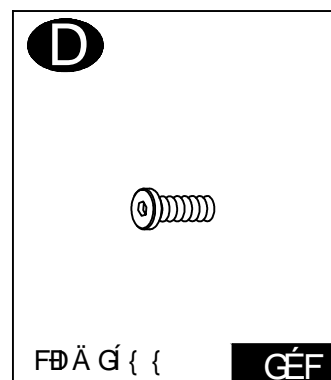
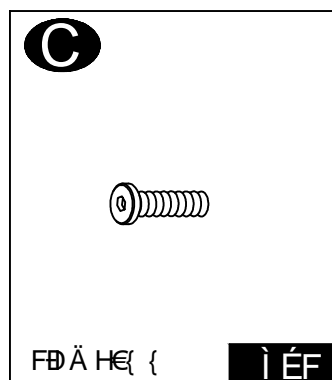
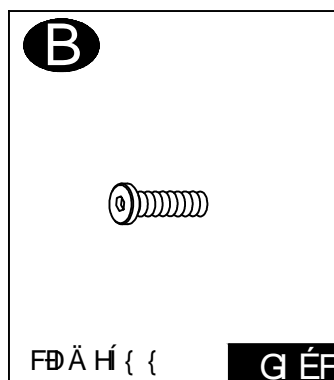
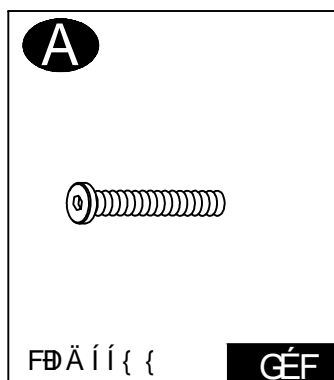
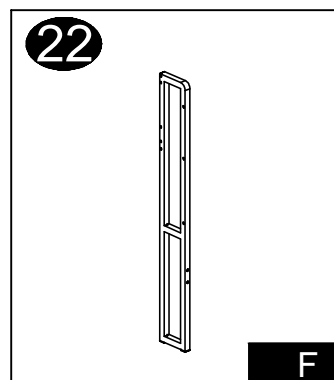
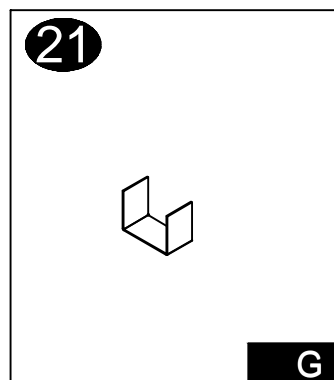
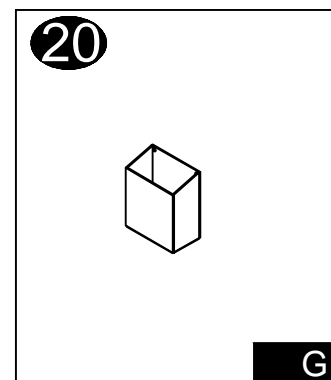
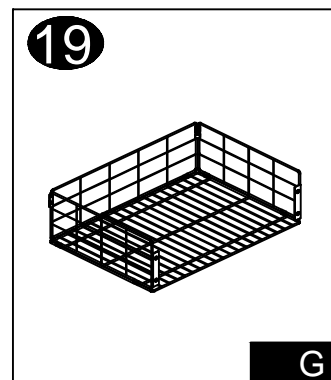
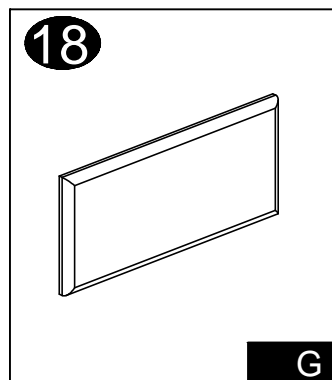
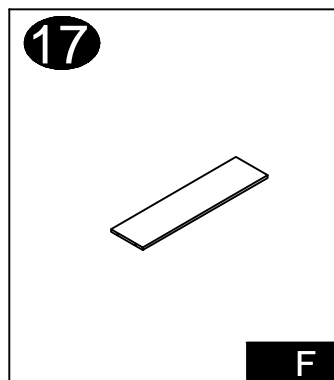
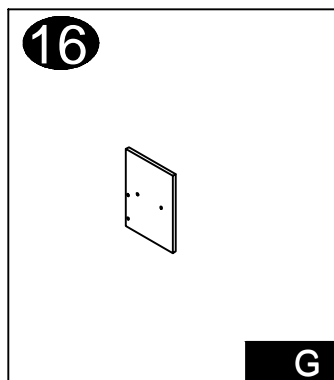
You'd better install it with a partner



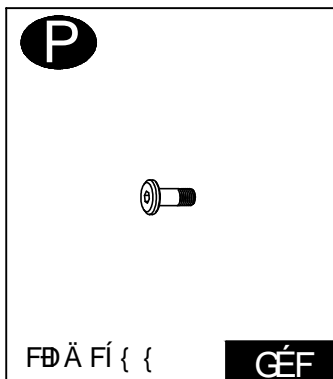
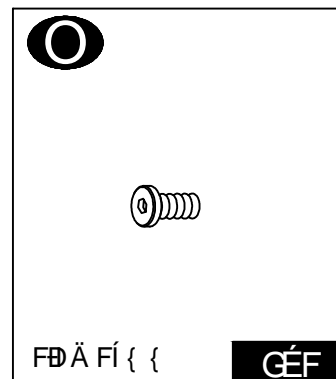
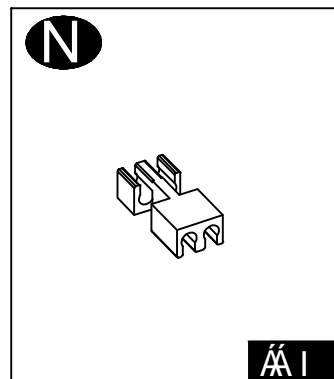
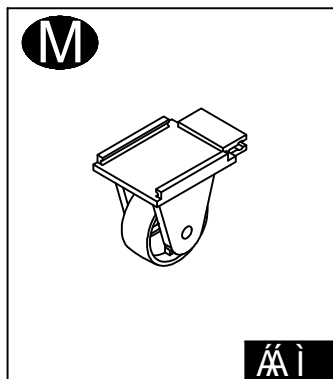
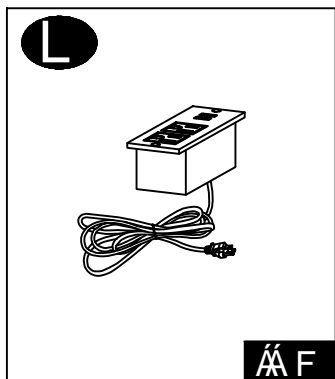
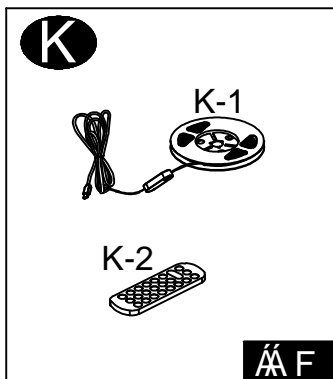
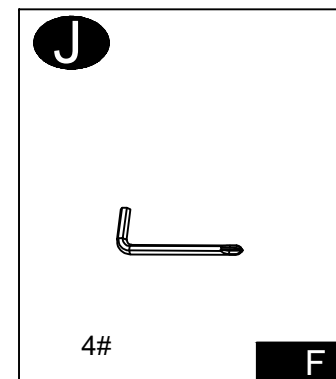
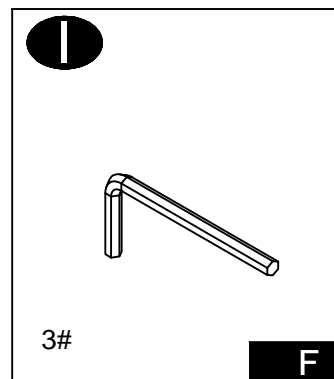
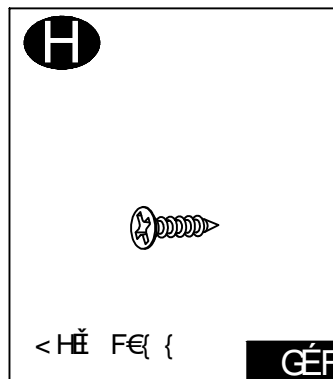
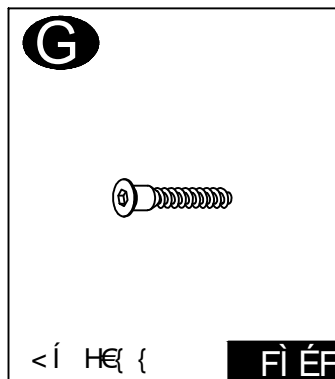
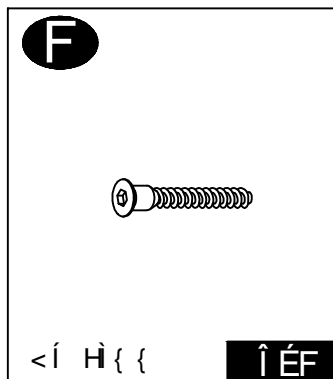
# Accessories



# Accessories

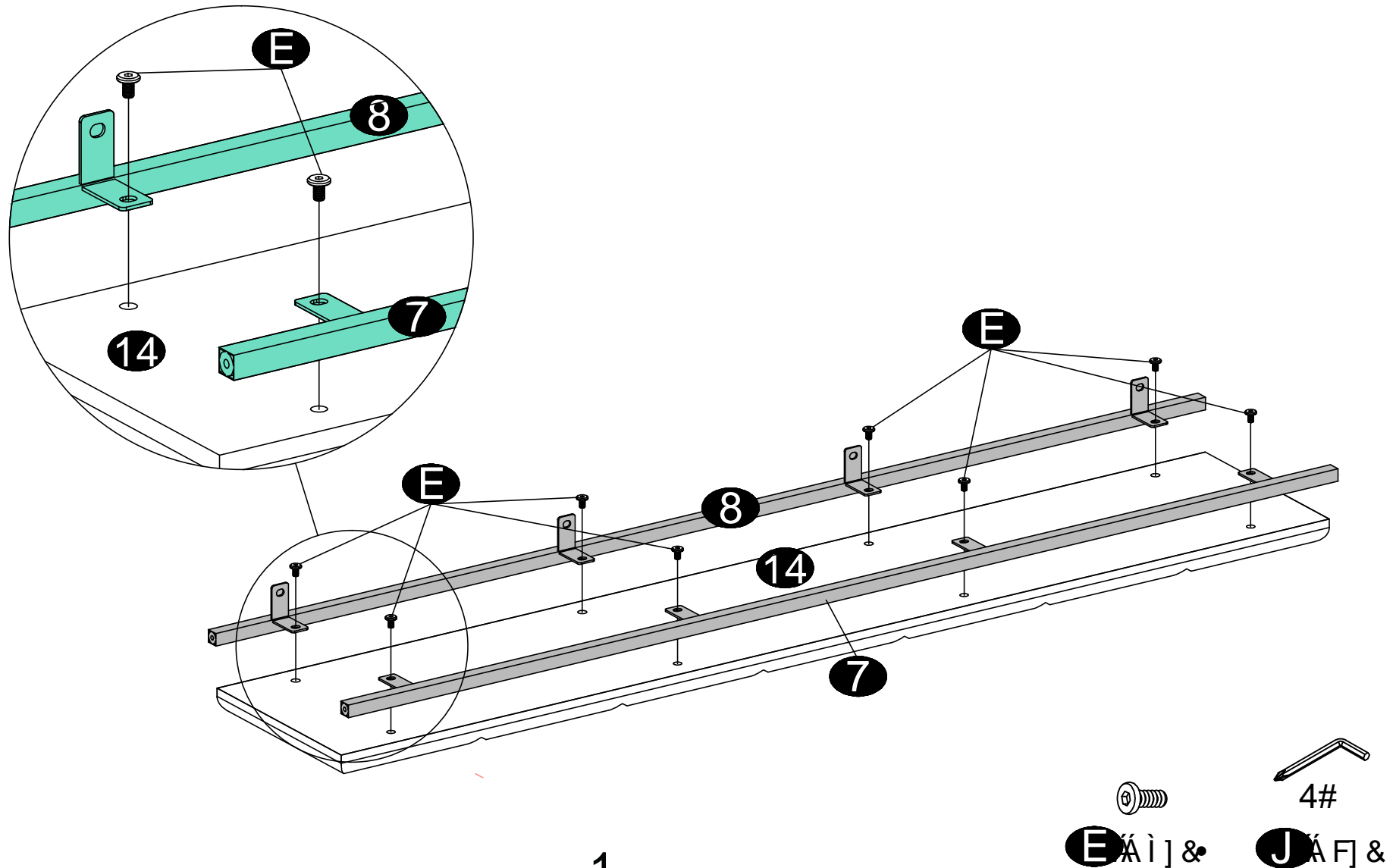


# Accessories



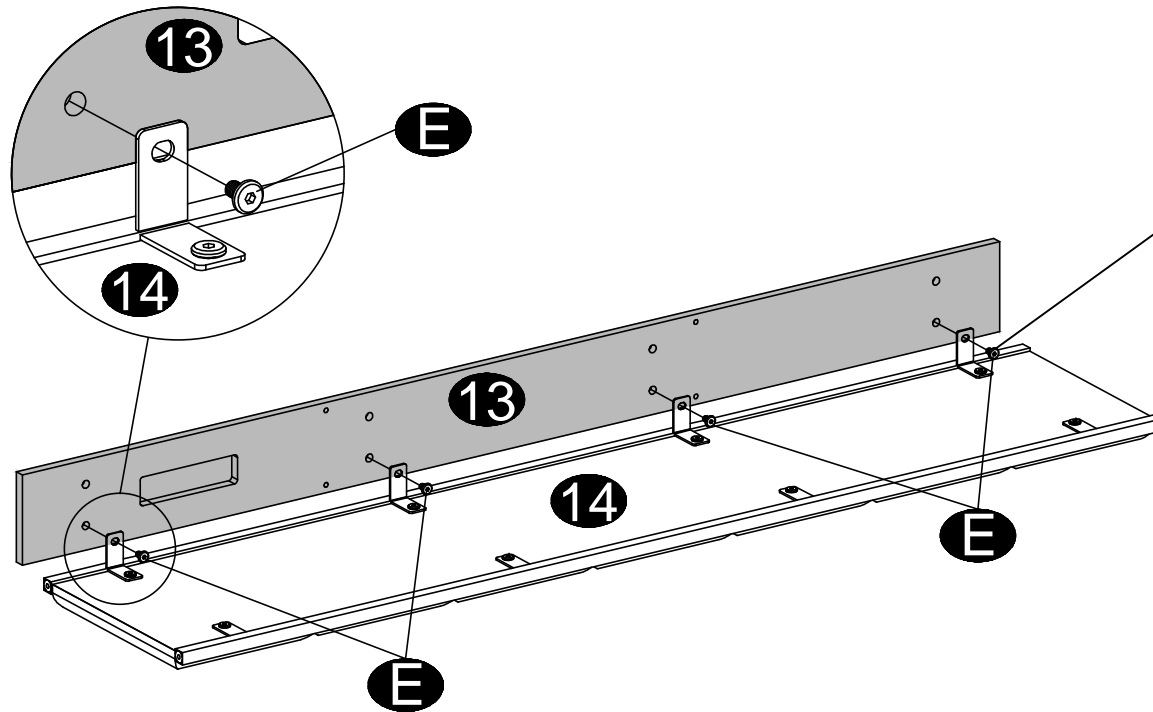
 step 1


Attach frame **7** & **8** onto board **14** using screw **E**

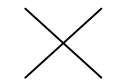



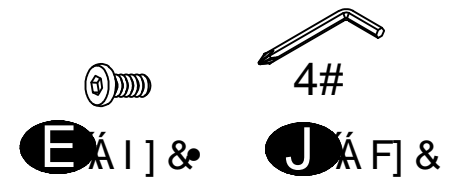
 step 2

Attach board **13** onto board **14** , using screw **E**



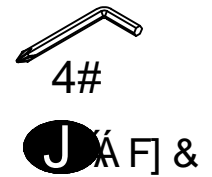
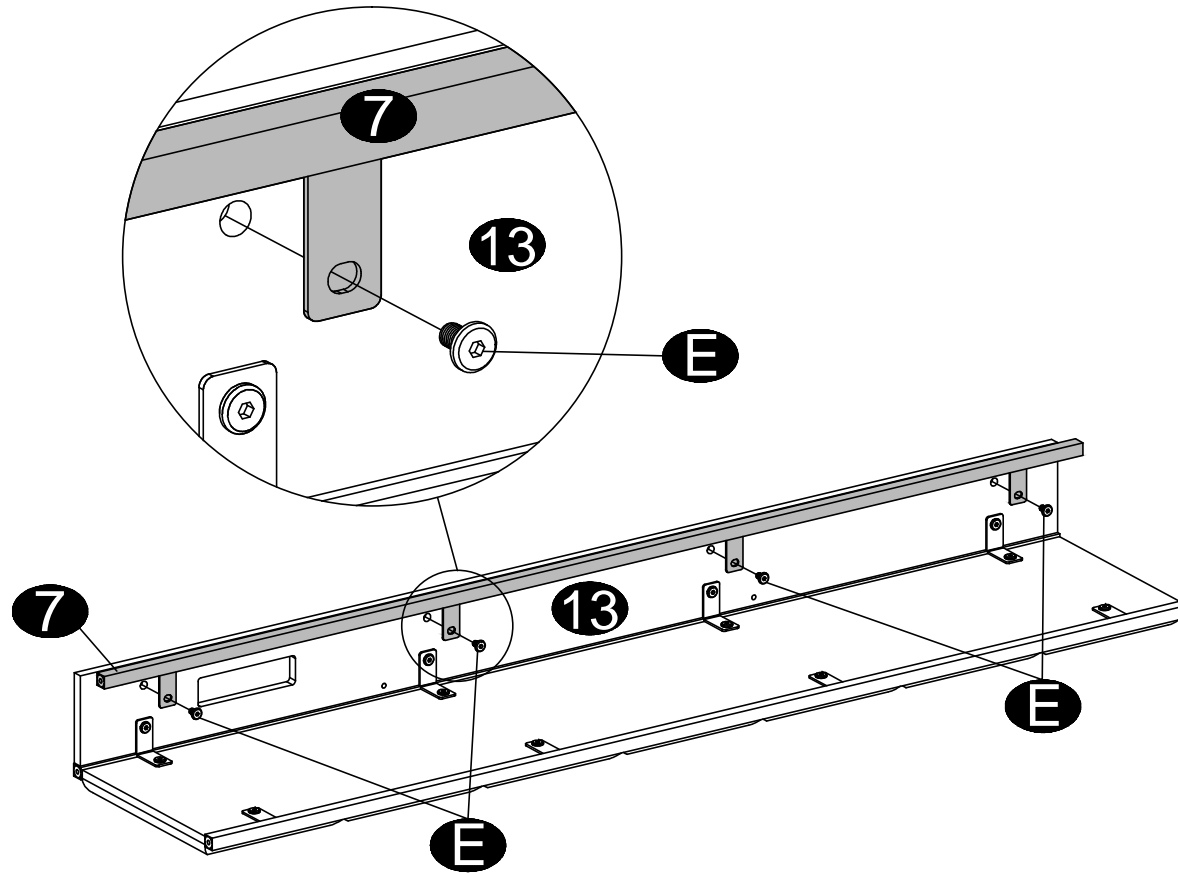
 Please tighten the bolts to 80% first, and tighten all bolts 100% after all parts are assembled.

	
---	---



 step 3

Attach frame **7** onto board **13** using screw **E**

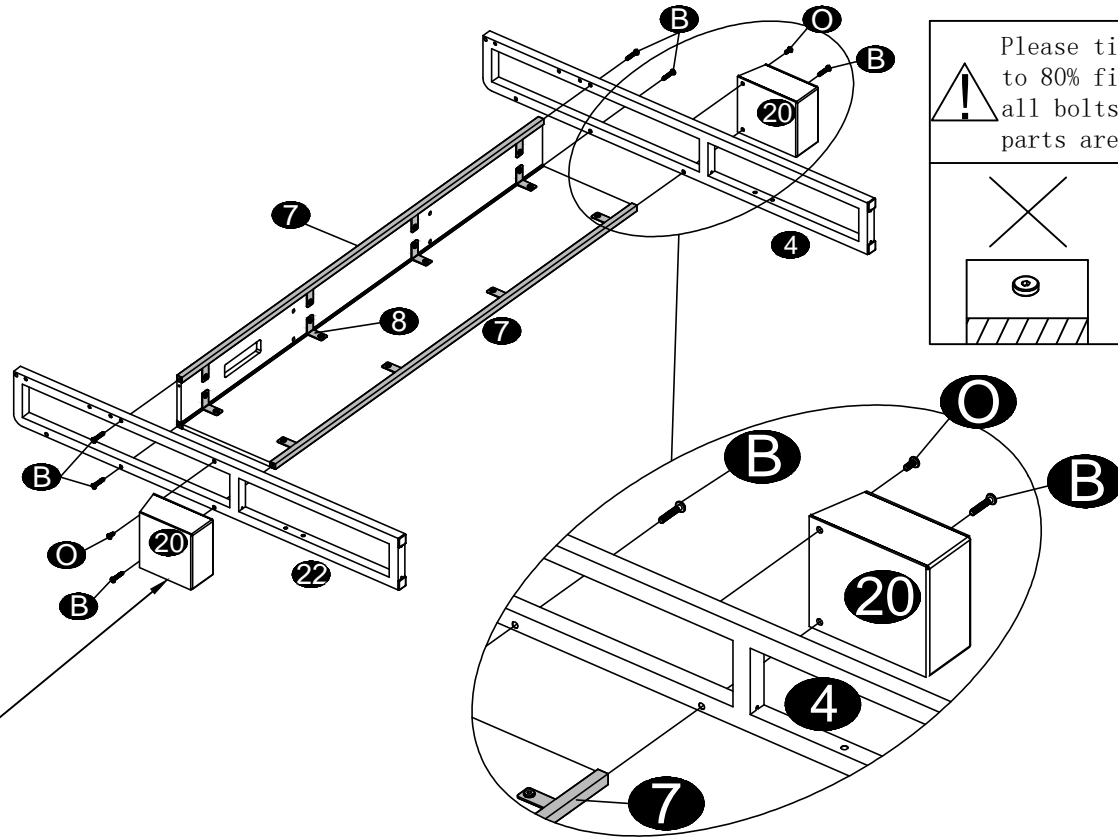
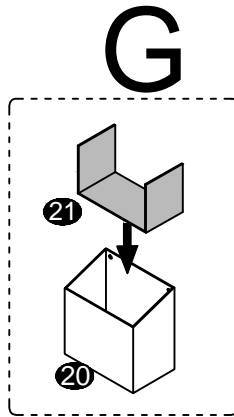
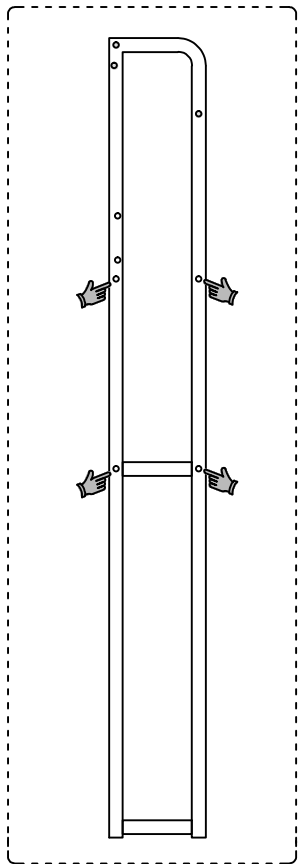



 step 4

Insert part **21** into the fabric pocket **20**

Attach part **7** onto frame **4** & **22** using screw **B**

Attach pocket **20**, frame **7** & **8** onto frame **4** & **22** using screw **B** & **O**



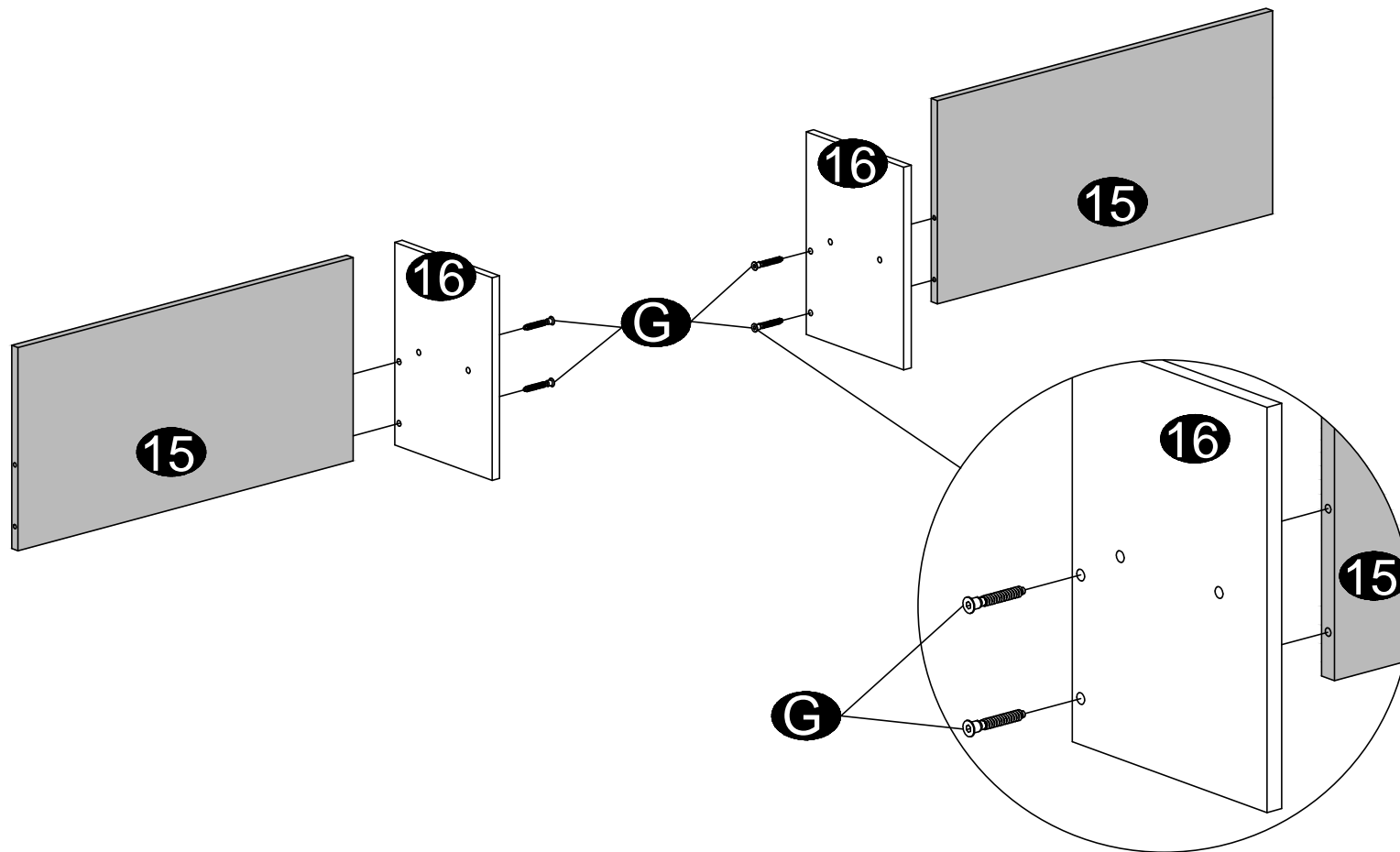
 Please tighten the bolts to 80% first, and tighten all bolts 100% after all parts are assembled.

Please pay attention to the direction of the metal bolts on Frame **4** & **22**



 step 5

Connect board **15** & **16** together using screw **G**



**G** & I

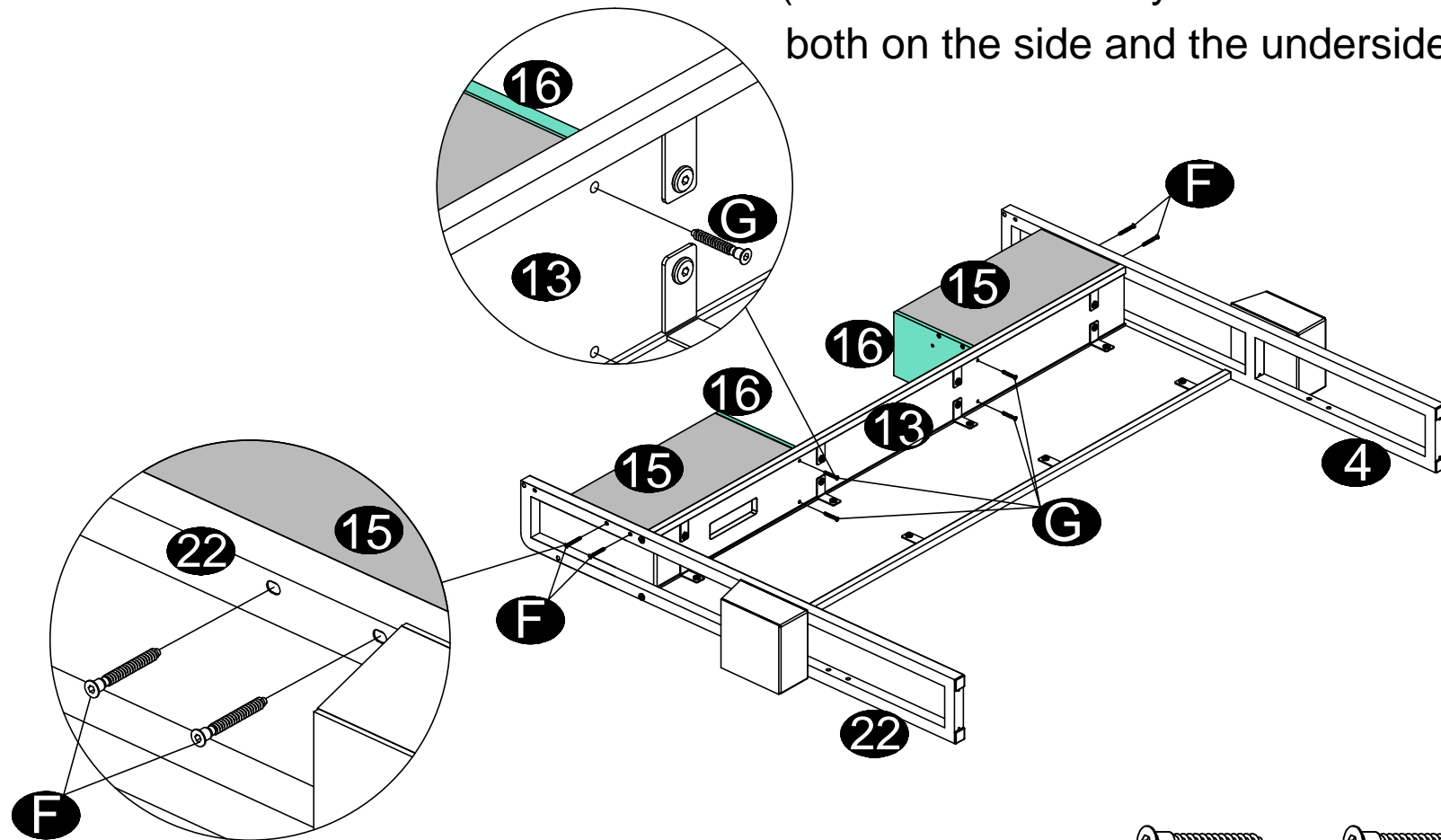


**I** & F

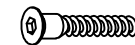
 step 6

Attach board **15** & **16** onto the structure using screw **F** & **G**

(Please make sure you have screw in the holes both on the side and the underside, as shown.)



**F** × 1 ] &



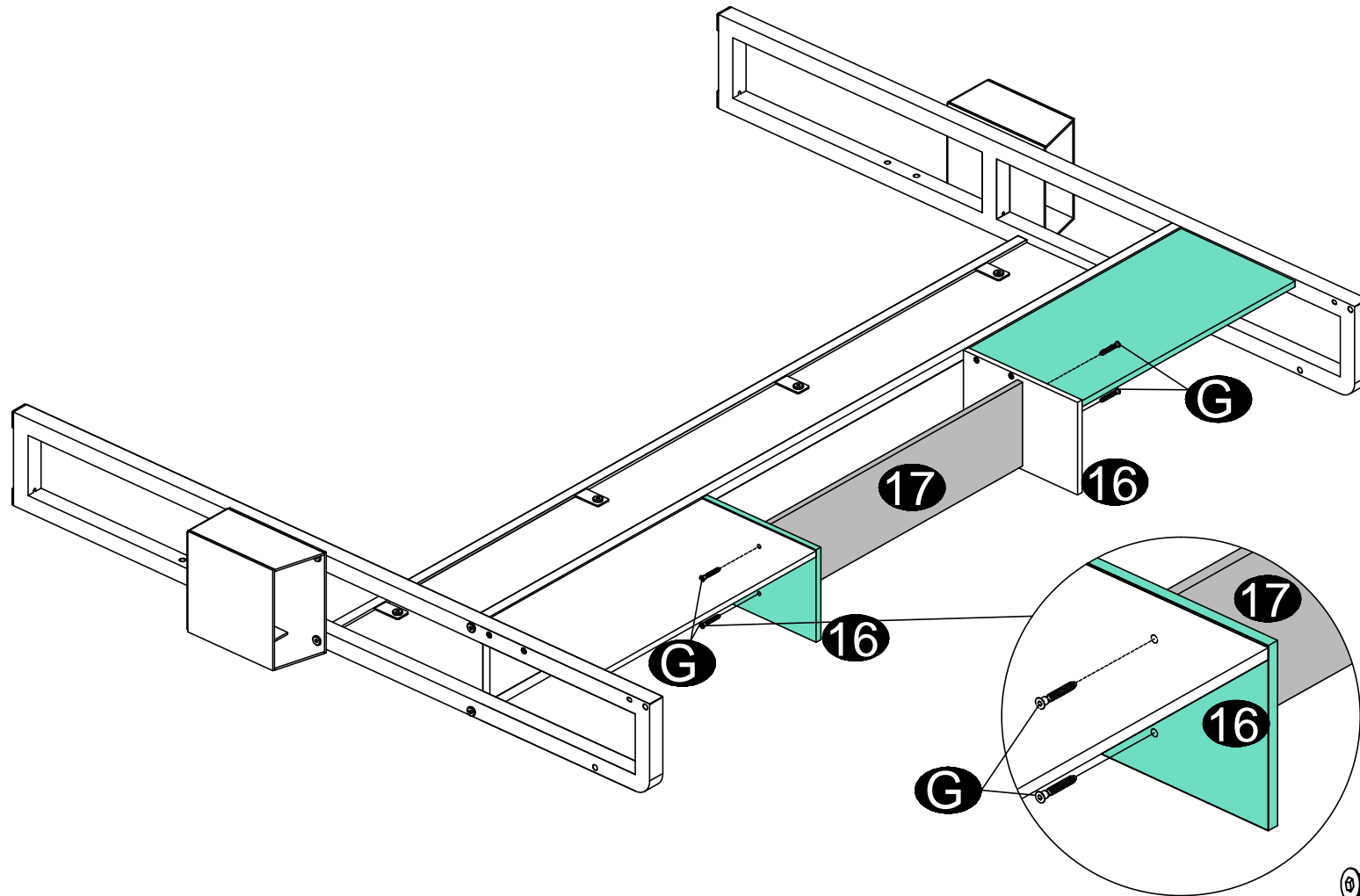
**G** × 1 ] &



**L** × F ] &

 step 7

Connect board **17** with board **16** using screw **G**



**G** [A] &

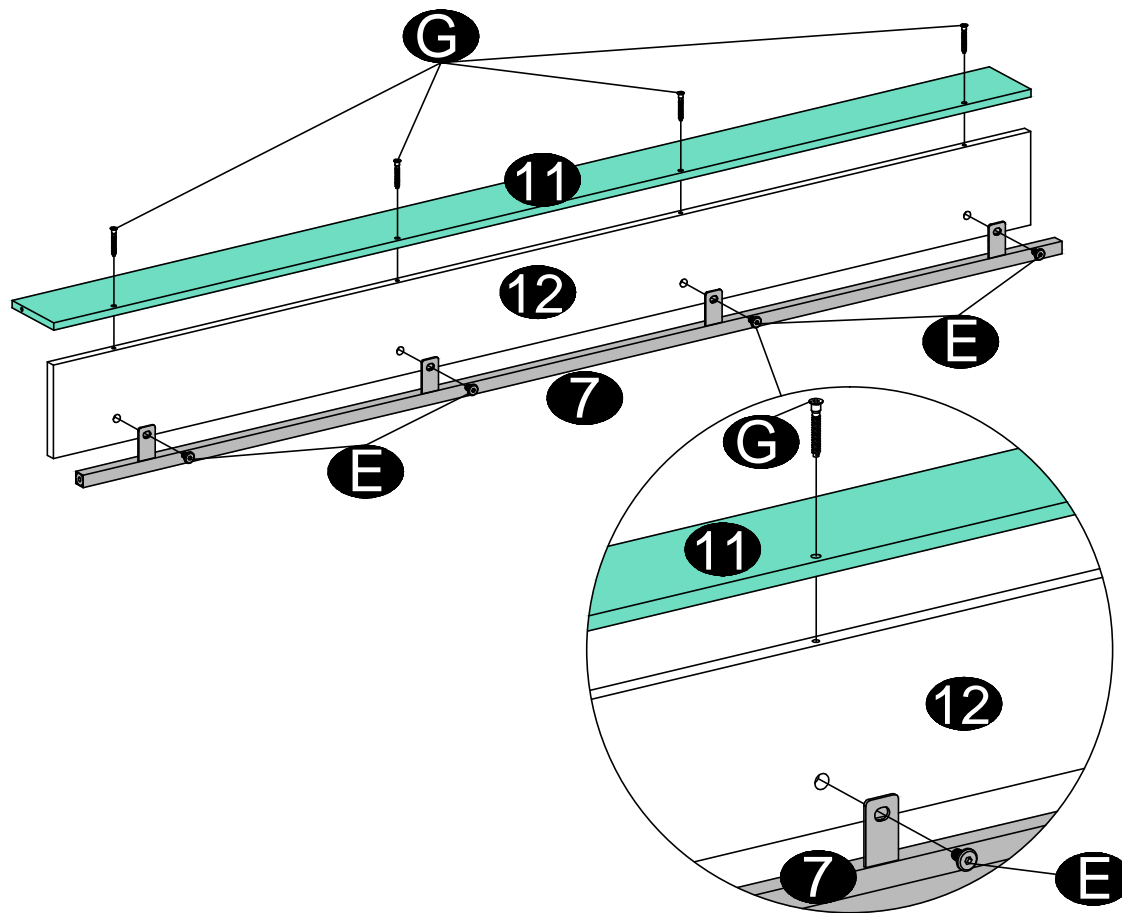


**I** [A] F] &

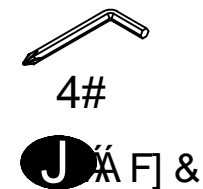
 step 8

Connect board **11** with board **12** using screw **G**

Connect board **12** with frame **7** using screw **E**

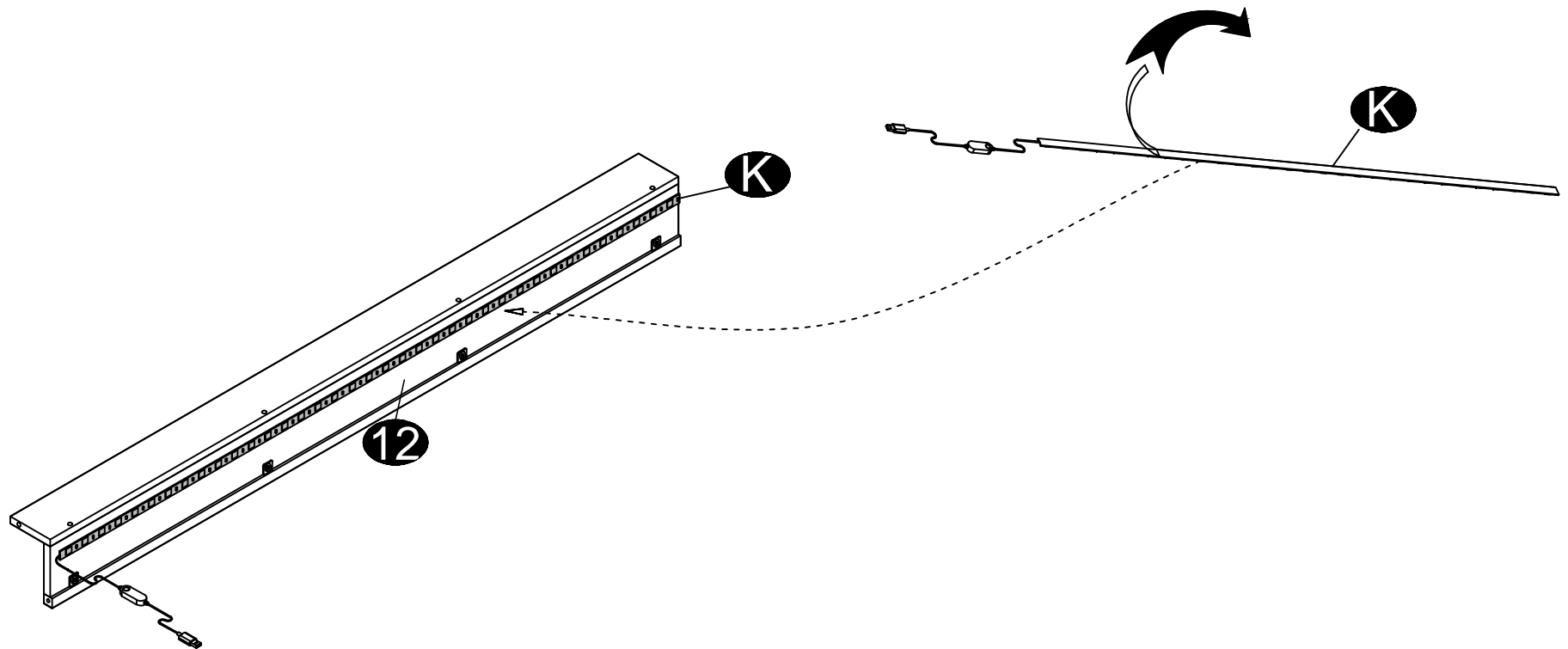


8



 step 9

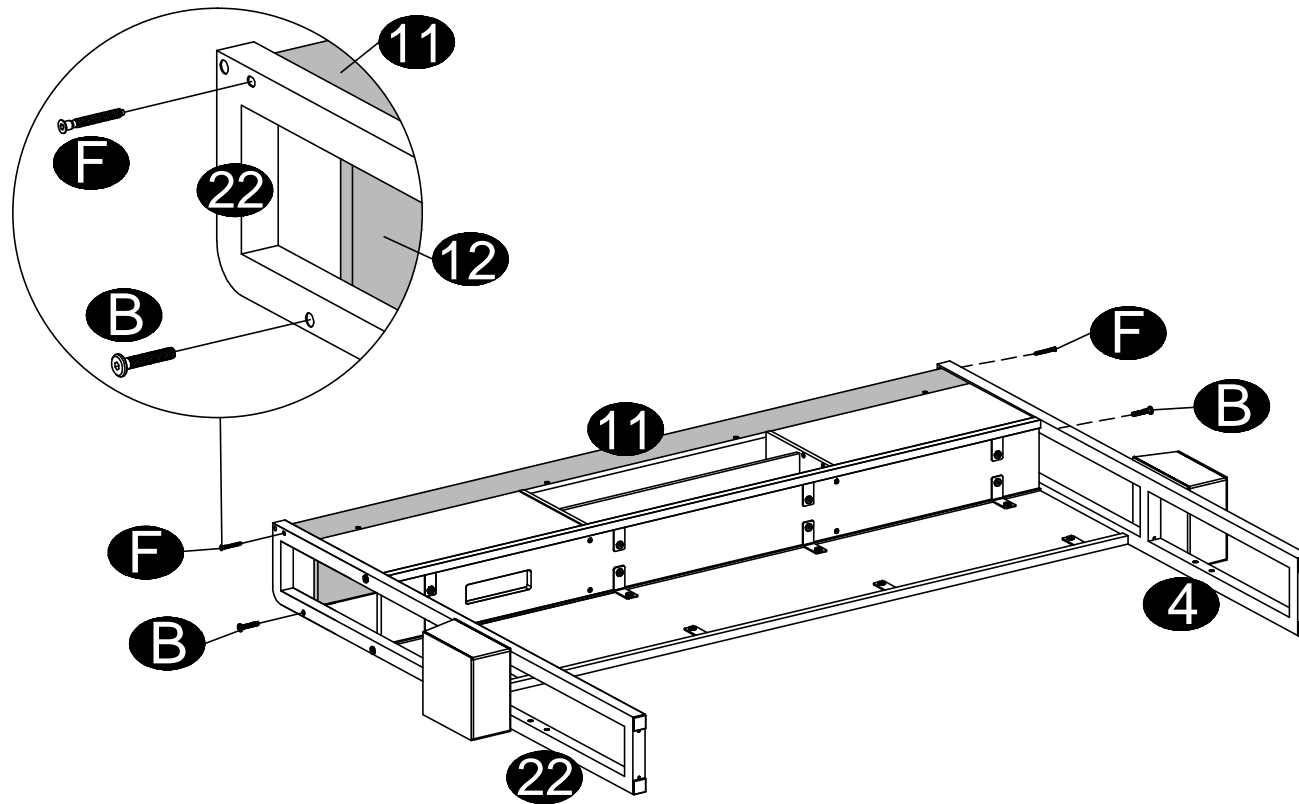
Peel off the sticker on the LED light strip and stick it onto board **12** (position as shown).



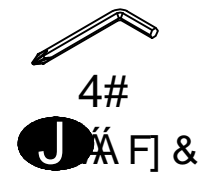
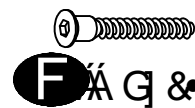
**K** Å FJ &

 step 10

Attach board **11** onto the big frame using screw **F**  
and attach the other side using screw **B**

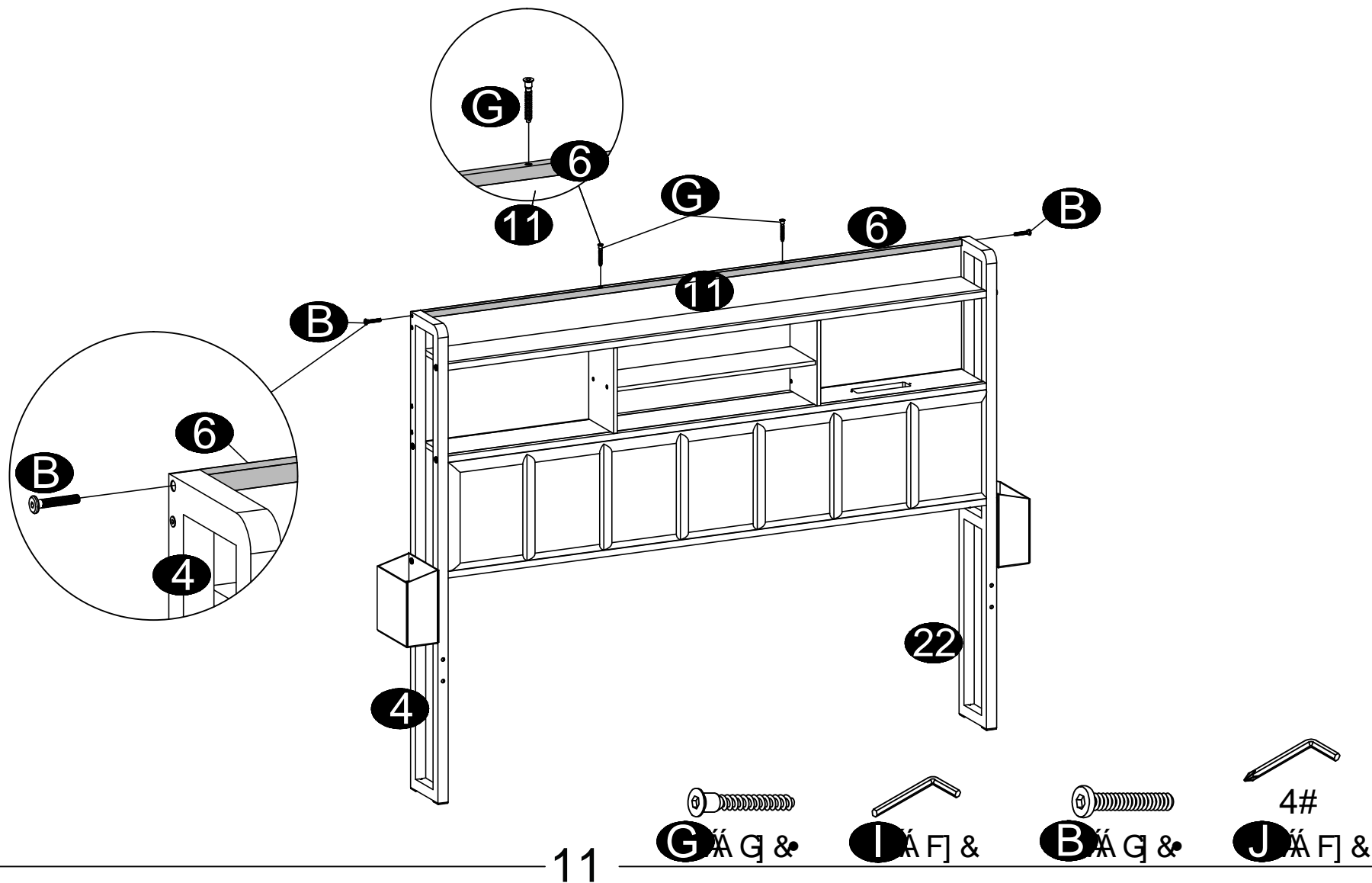


10



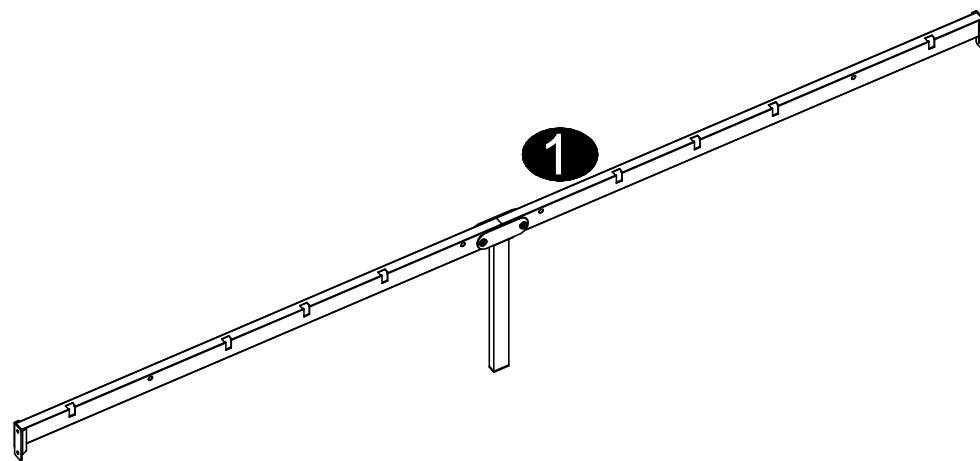
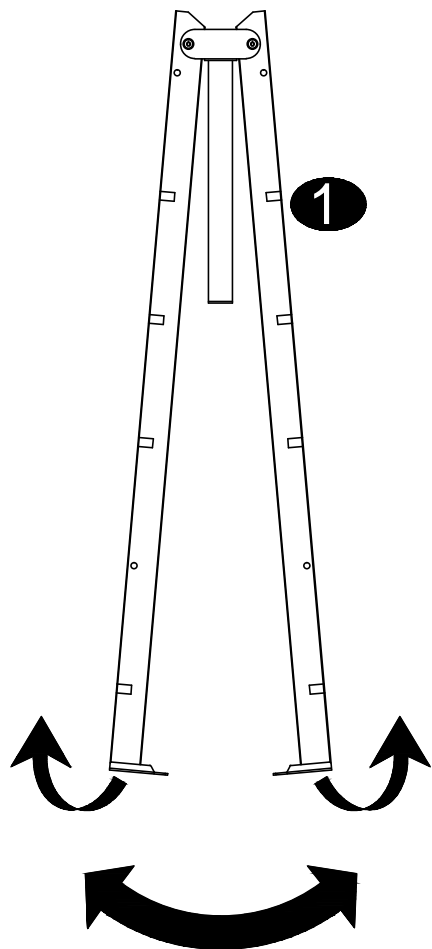
 step 11

Connect frame **6** with board **11** using screw **G**  
and connect frame **6** onto frame **4** using screw **B**



 step 12

Unfold the bed edge frame **1**

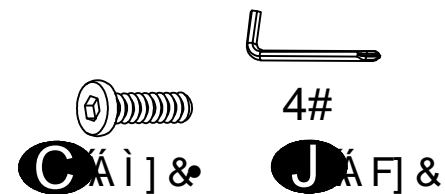
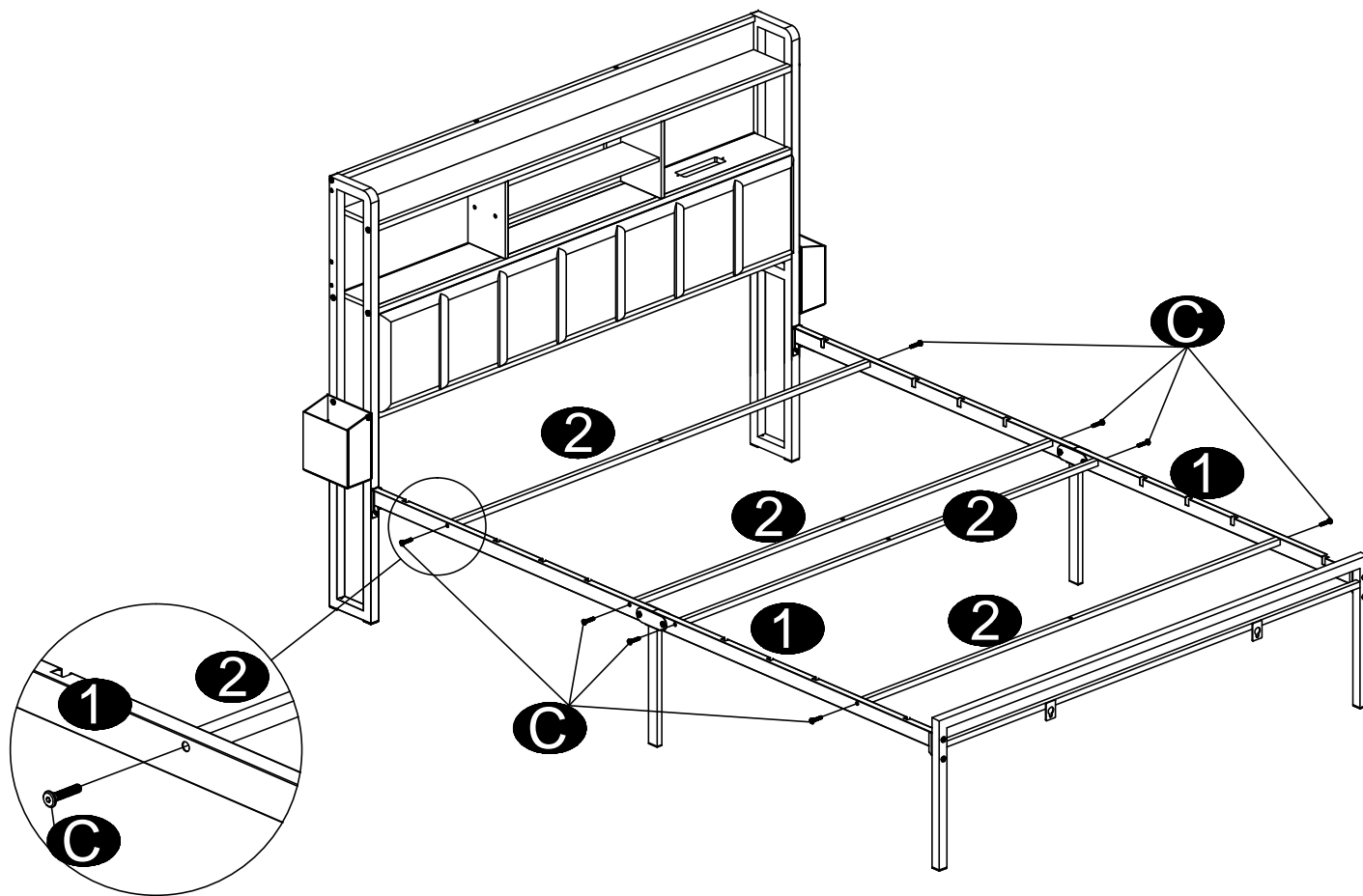


G



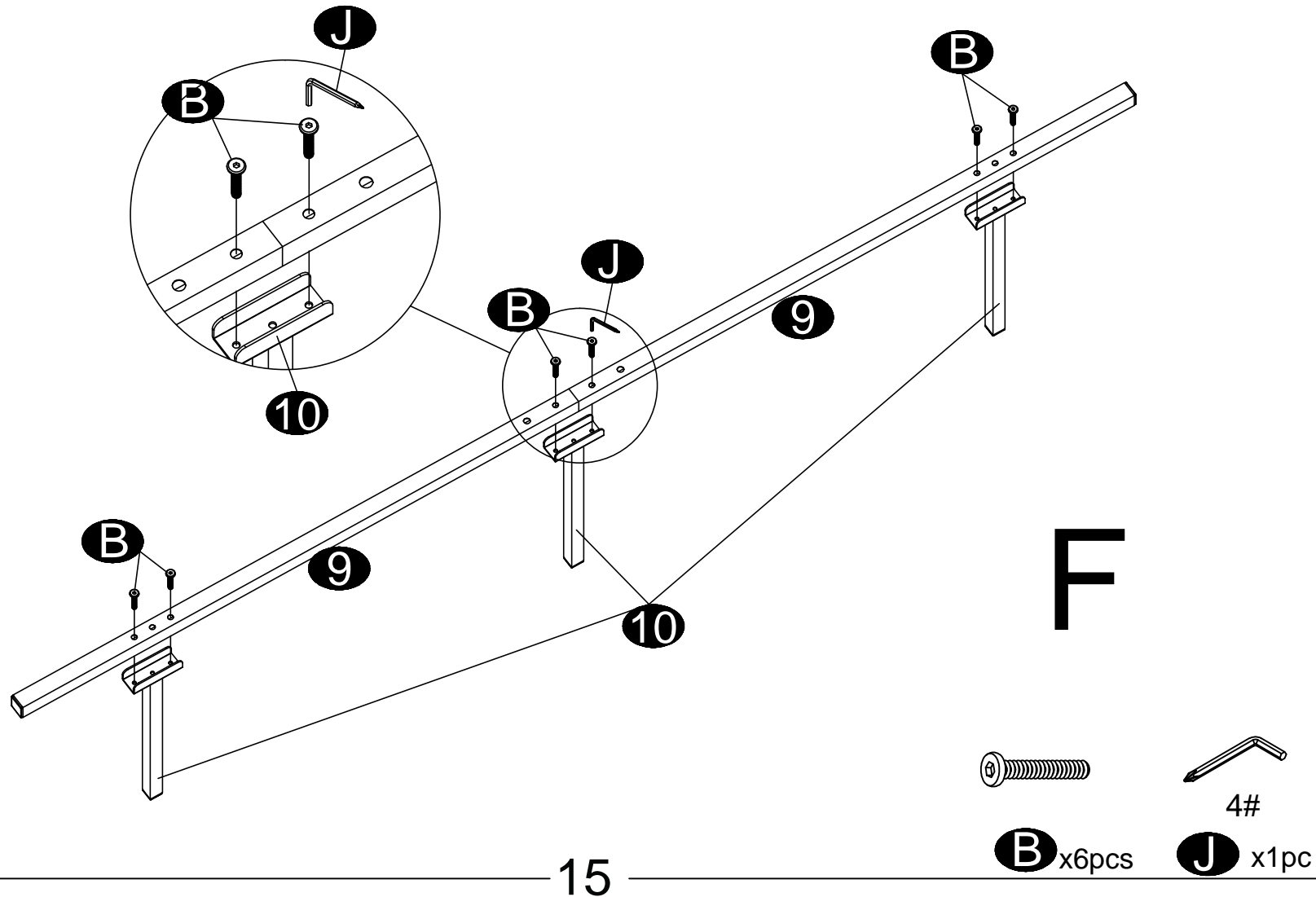
 step 14

Insert frame **2** into the slot (as shown) and fix them with screw **C**



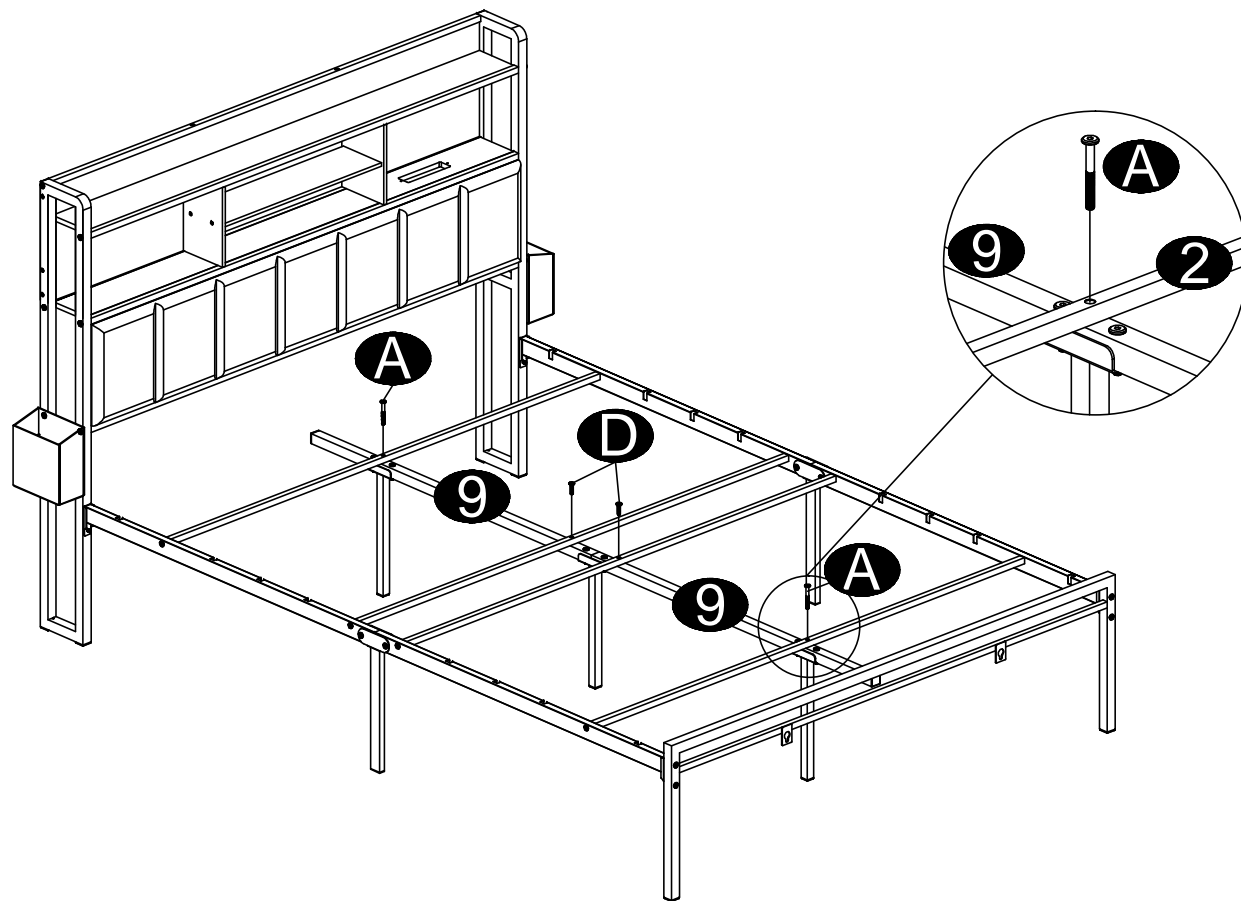
 step 15

Lock the horizontal stick **10** & **9** with screws **B**



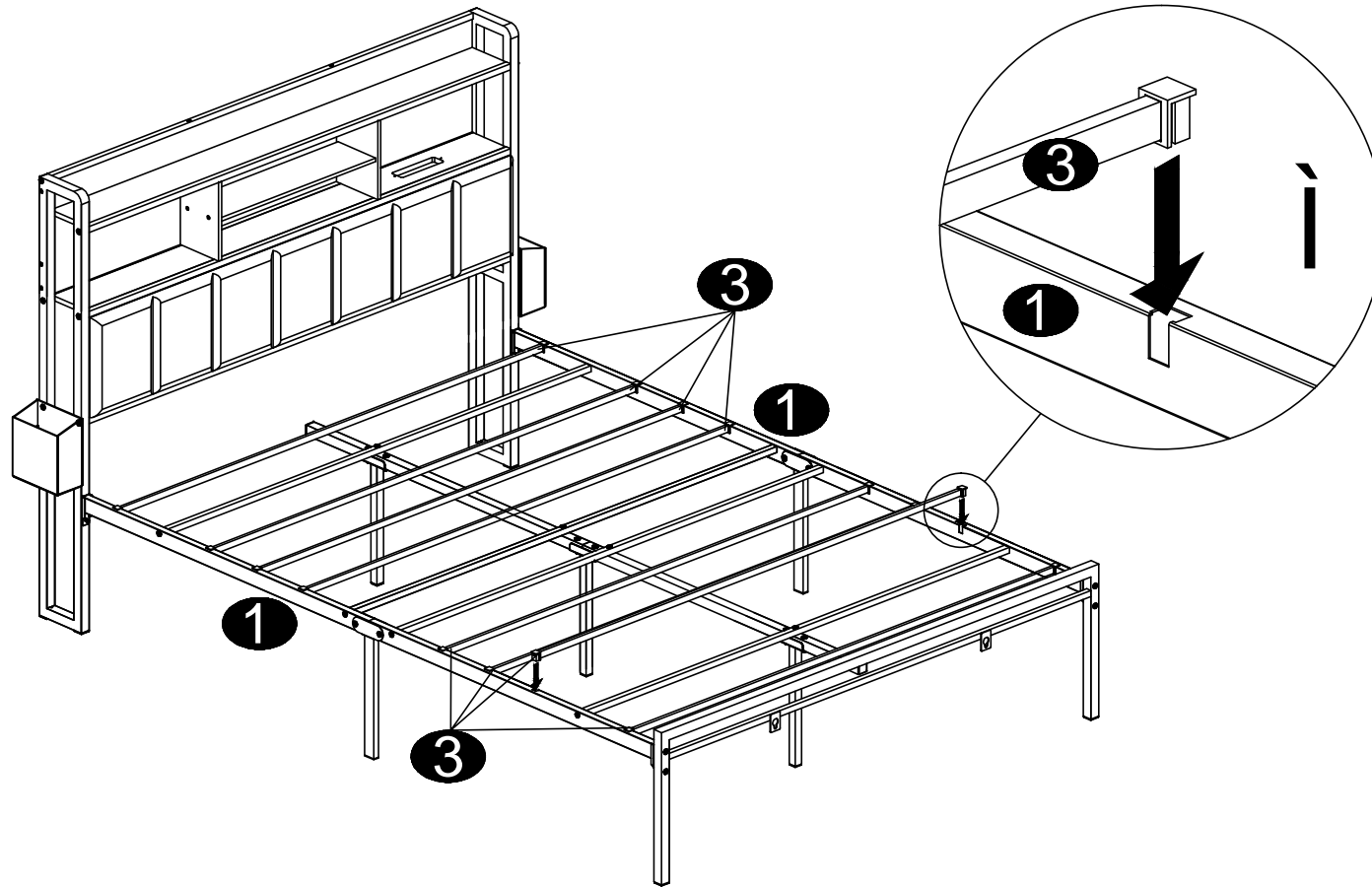
 step 16

Fasten the metal stick to the metal frame with screws **A** and screws **D** (The holes as shown)



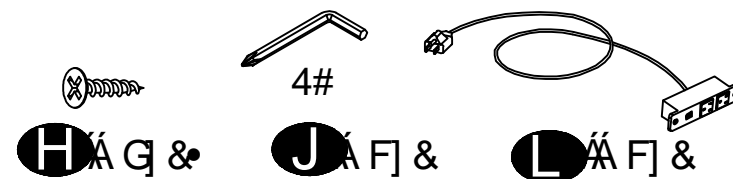
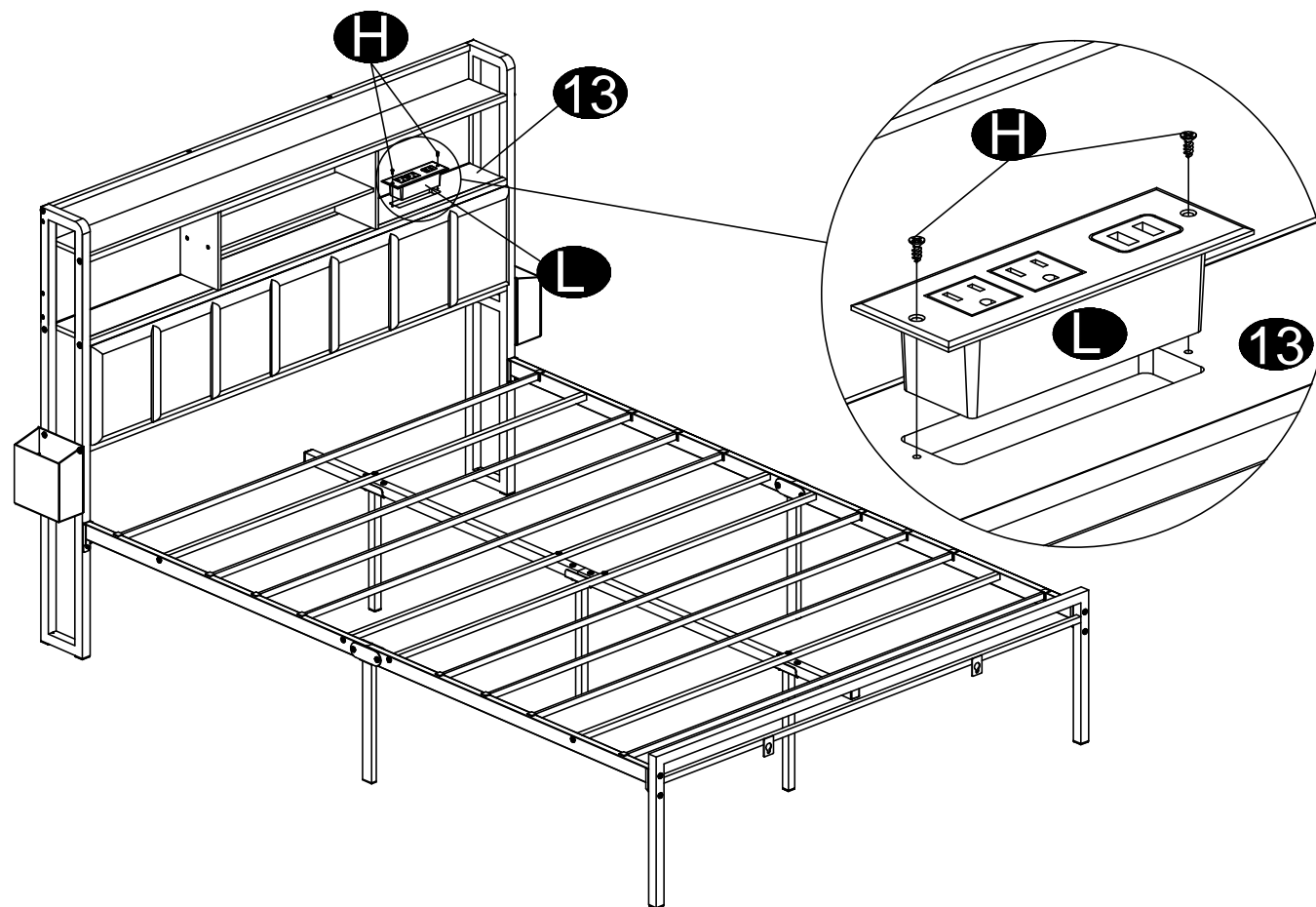
 step 17

Insert parts **3** into the bed frame.



 step 18

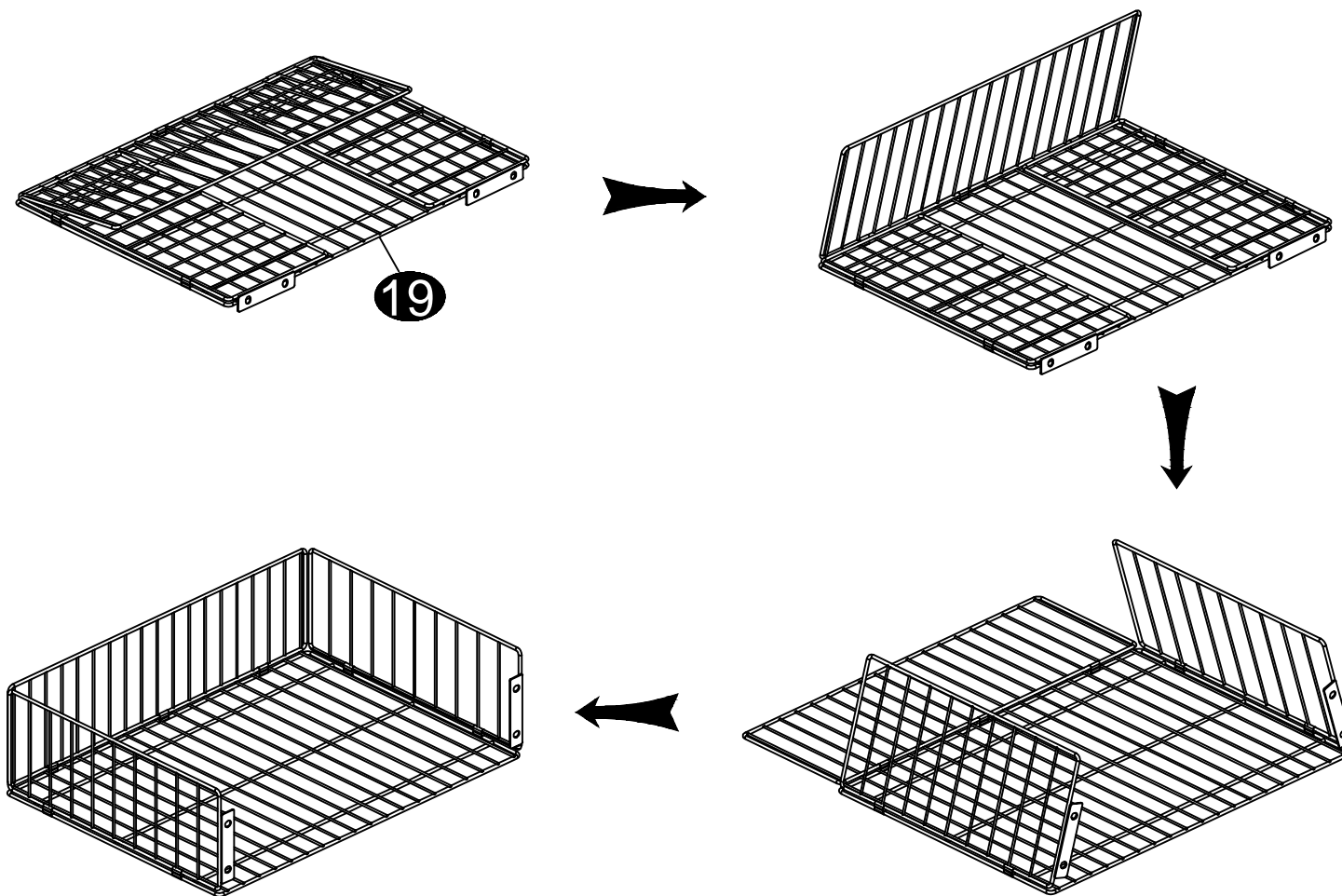
Attach charging station **L** onto the headboard slot using screw **H**



 step 19

Expand the drawer frame.

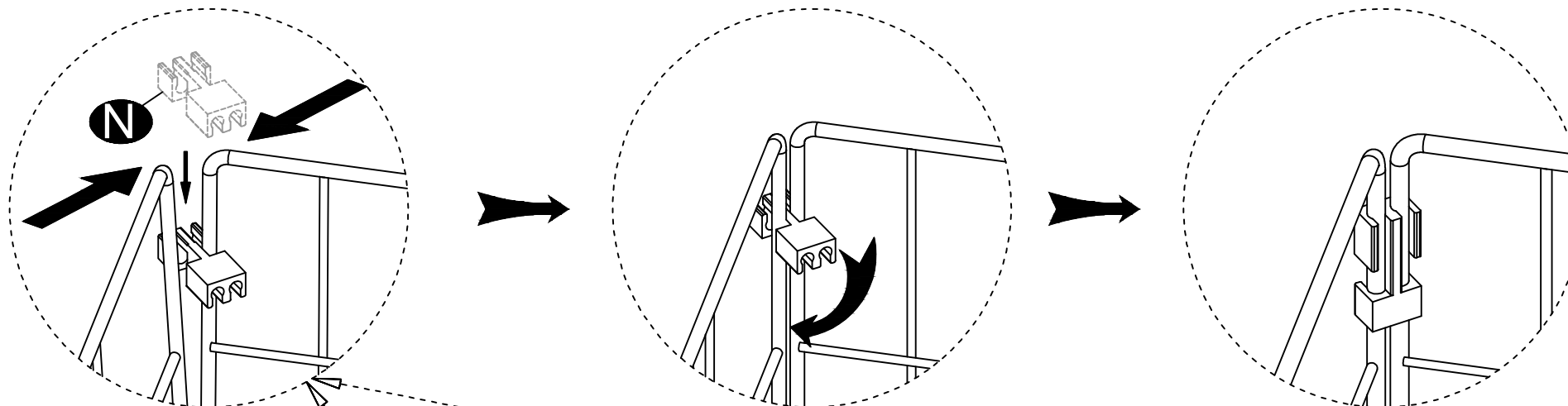
x2



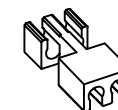
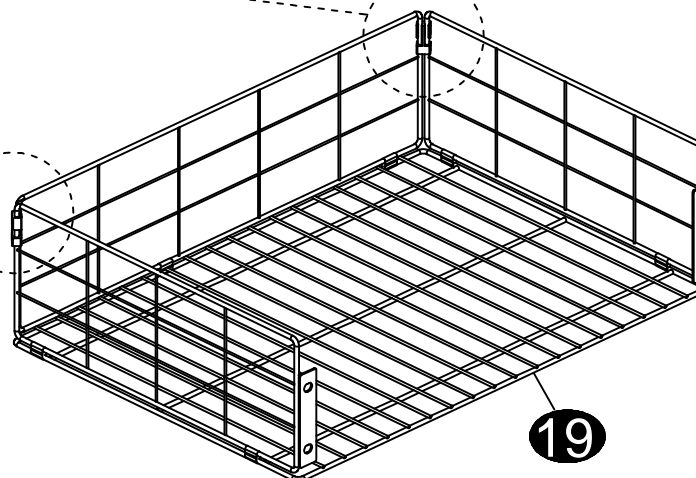
 step 20

Attach part **N** onto the drawers (place as shown).

x2



Make sure that you leave an even gap on the top and bottom side of the slot when you attach part **N**, otherwise you might have difficulties assemble it onto the drawers.

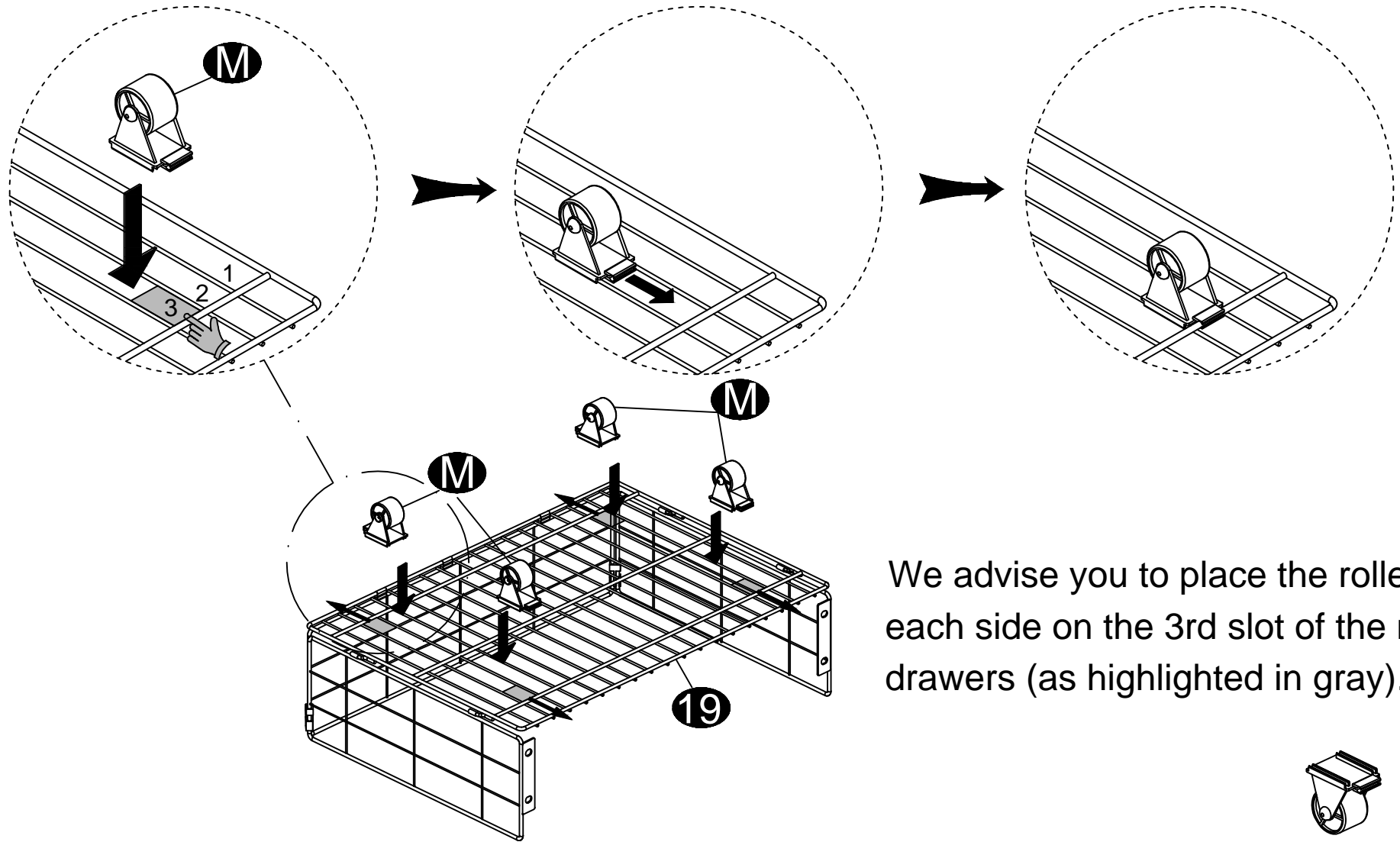


**N** 1 | &

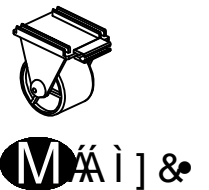
 step 21

Click in the rollers.

x2



We advise you to place the rollers on each side on the 3rd slot of the metal drawers (as highlighted in gray).

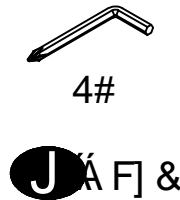
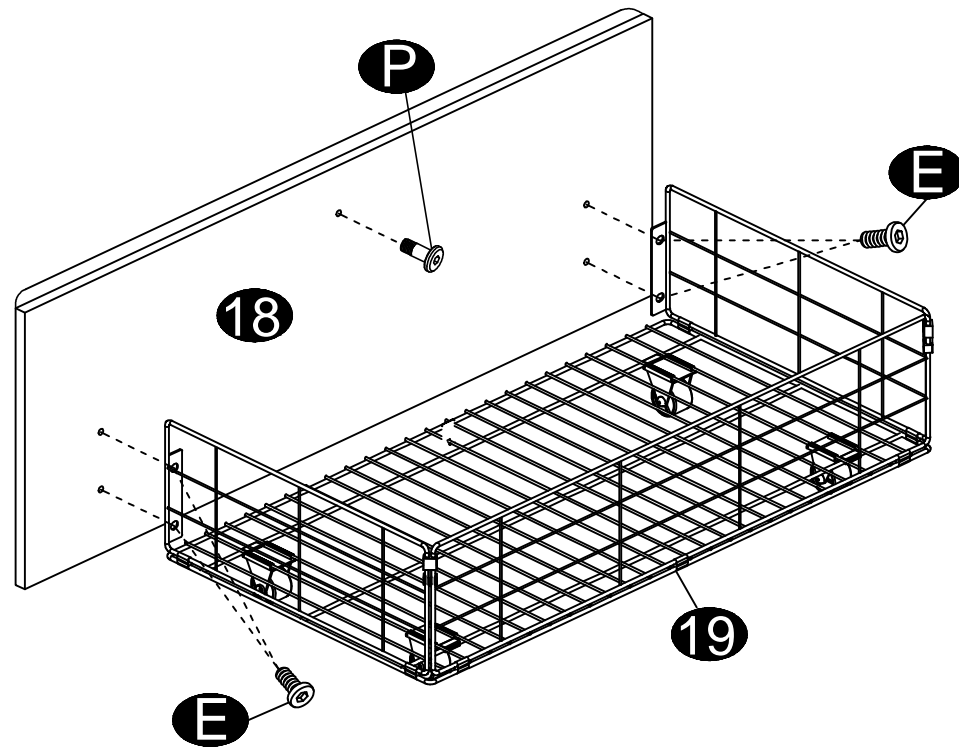


 step 22

Attach board **18** onto drawer **19** using screw **E**

Lock screw **P** onto board **18**

x2



 step 23

Insert the metal drawers into the bed frame.

