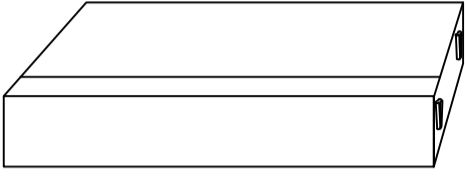
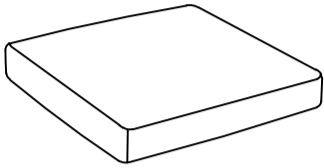
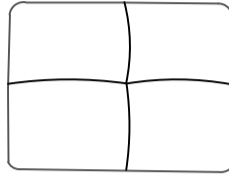
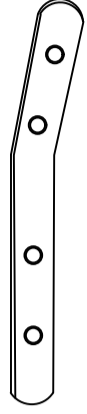
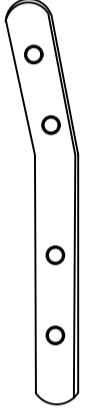
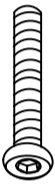
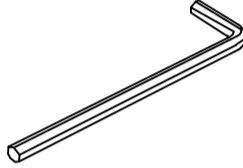
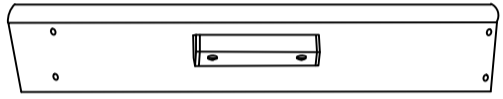
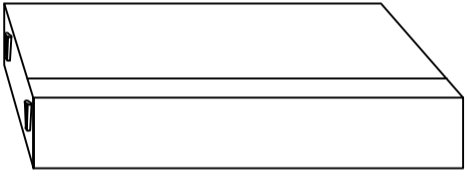
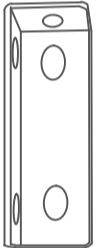
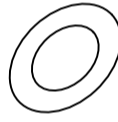
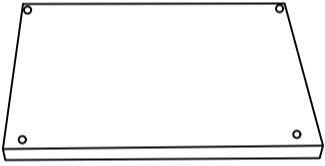
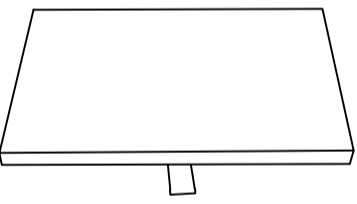
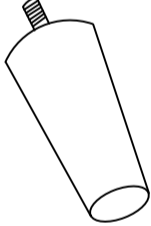
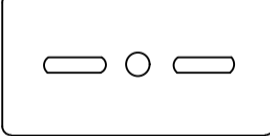

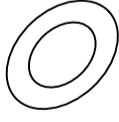
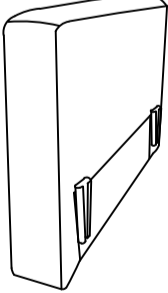
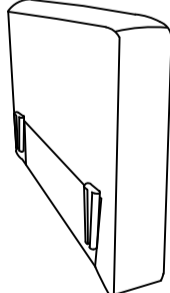
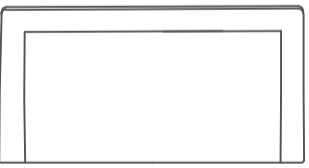
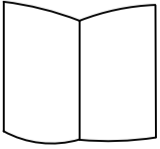


Installation & Assembly

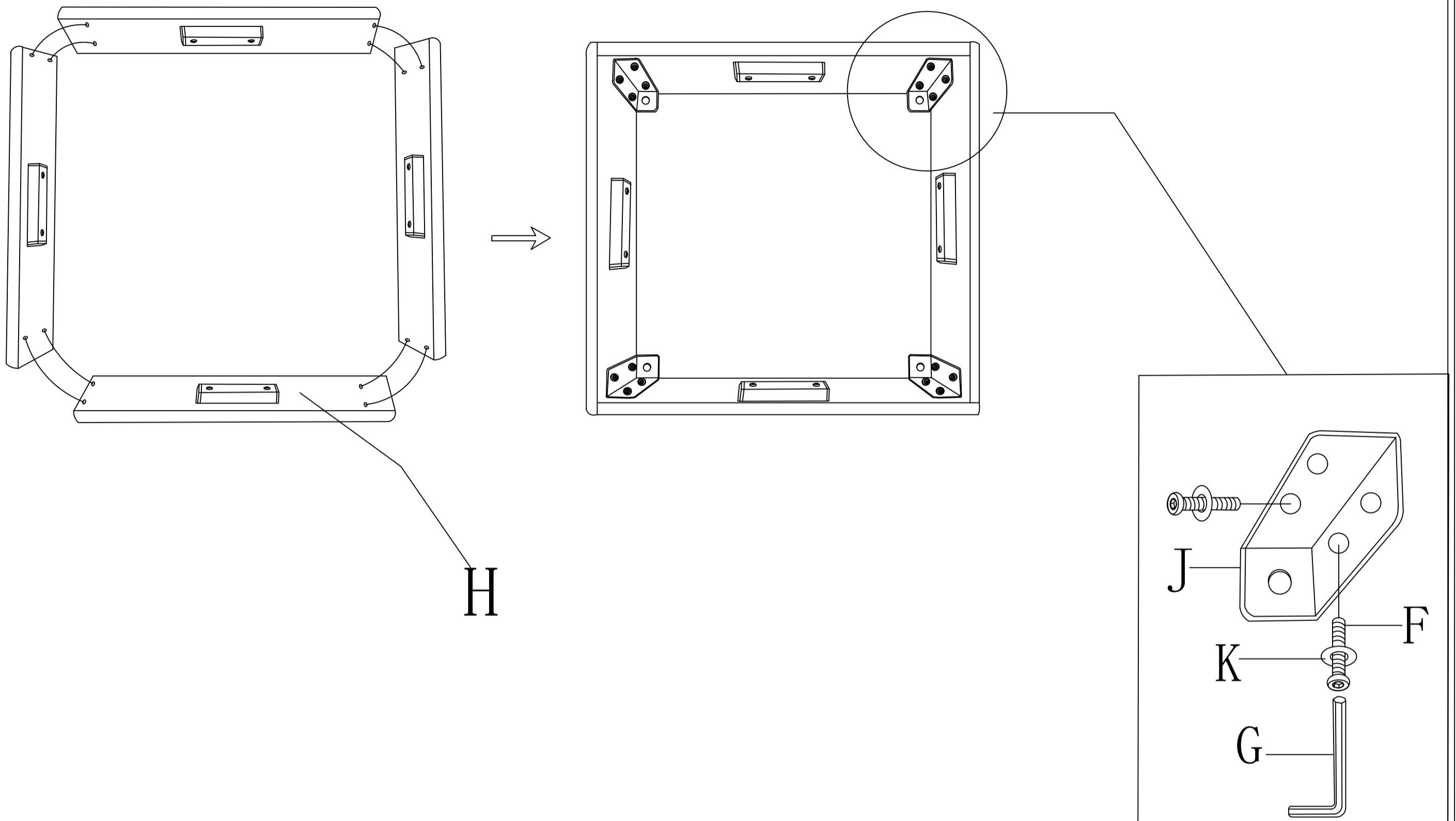
Accessories list

Note: All the parts marked with * are tucked under or with other parts

<p>A</p>  <p>Left seat frame(1)</p>	<p>B*</p>  <p>Seat cushion(4)</p>	<p>C*</p>  <p>Back cushion(3)</p>	<p>D*</p>  <p>supporting member for left backrest(facing sofa) (2)</p>
<p>E*</p>  <p>supporting member for right backrest(facing sofa) (2)</p>	<p>F*</p>  <p>6*18 Screw(32)</p>	<p>G*</p>  <p>M4*65*23 Wrench(1)</p>	<p>H*</p>  <p>Ottoman side pane (4)</p>
<p>I</p>  <p>Right seat frame(1)</p>	<p>J*</p>  <p>Corner brace connector(4)</p>	<p>K*</p>  <p>17mmGasket (16)</p>	<p>L*</p>  <p>Ottoman base plate(1)</p>
<p>M*</p>  <p>Ottoman panel(1)</p>	<p>N*</p>  <p>Sofa foot(10)</p>	<p>O*</p>  <p>5x12x3 Metal plate(2)</p>	<p>P*</p>  <p>6x35 Screw(4)</p>
<p>Q*</p>  <p>17mm Gasket(4)</p>	<p>R</p>  <p>Right armrest(1)</p>	<p>S</p>  <p>Left armrest(1)</p>	<p>T*</p>  <p>Backrest (2)</p>
 <p>Instruction Manual(1)</p>			

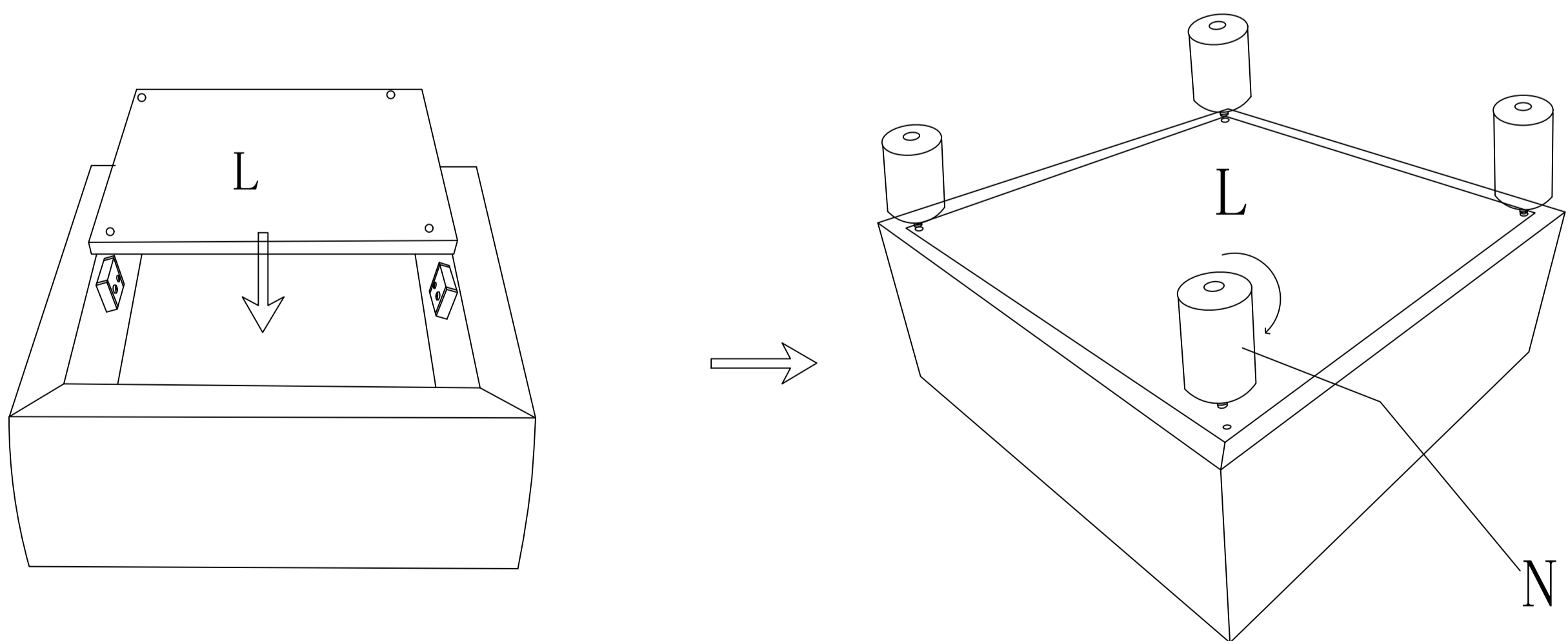
STEP 1:

Connect the ottoman side panel with the ottoman corner brace connector (long end to short end of the ottoman side panel)



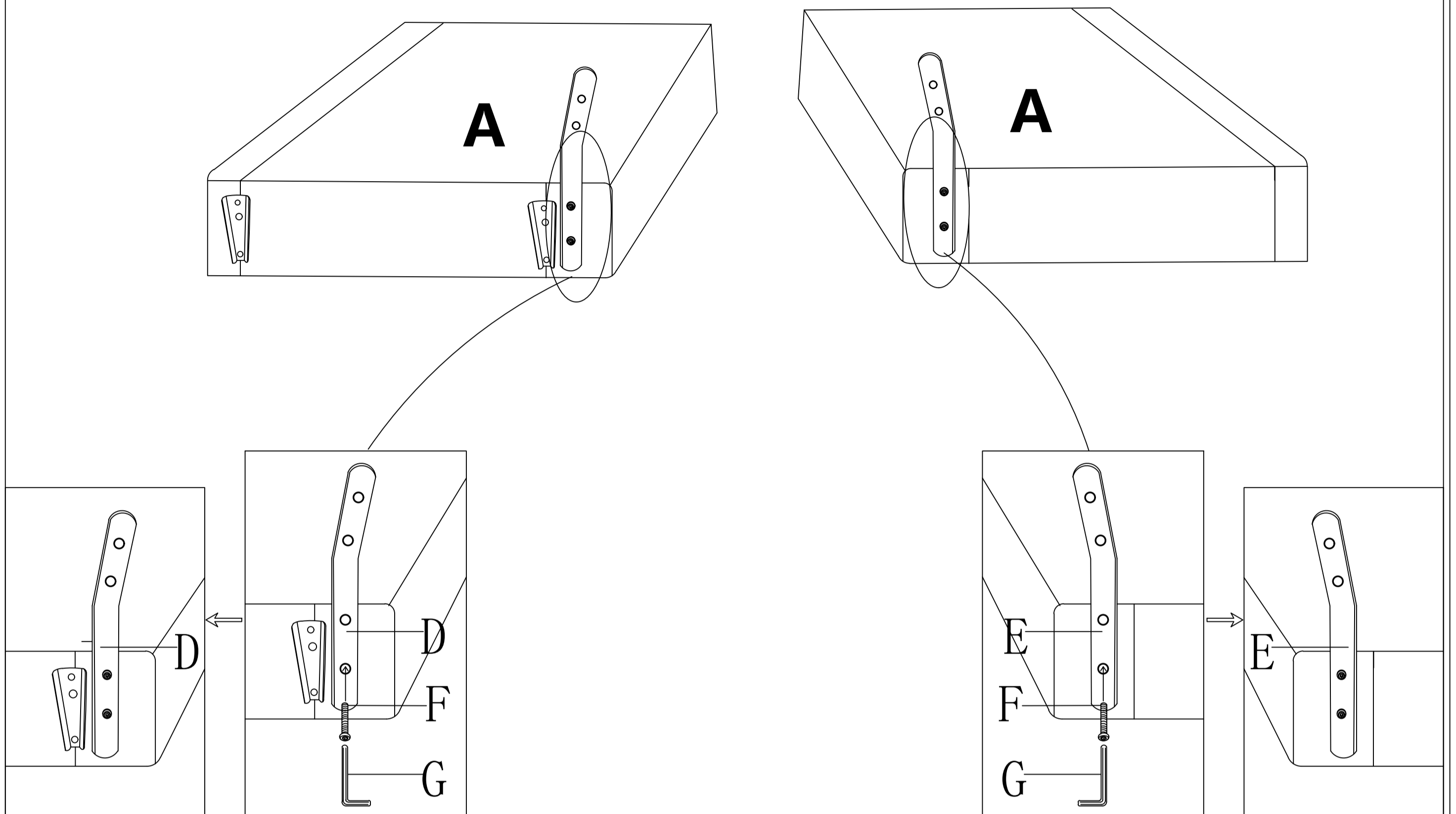
STEP 2:

Put the ottoman base board at the ottoman bottom, then install the sofa feet



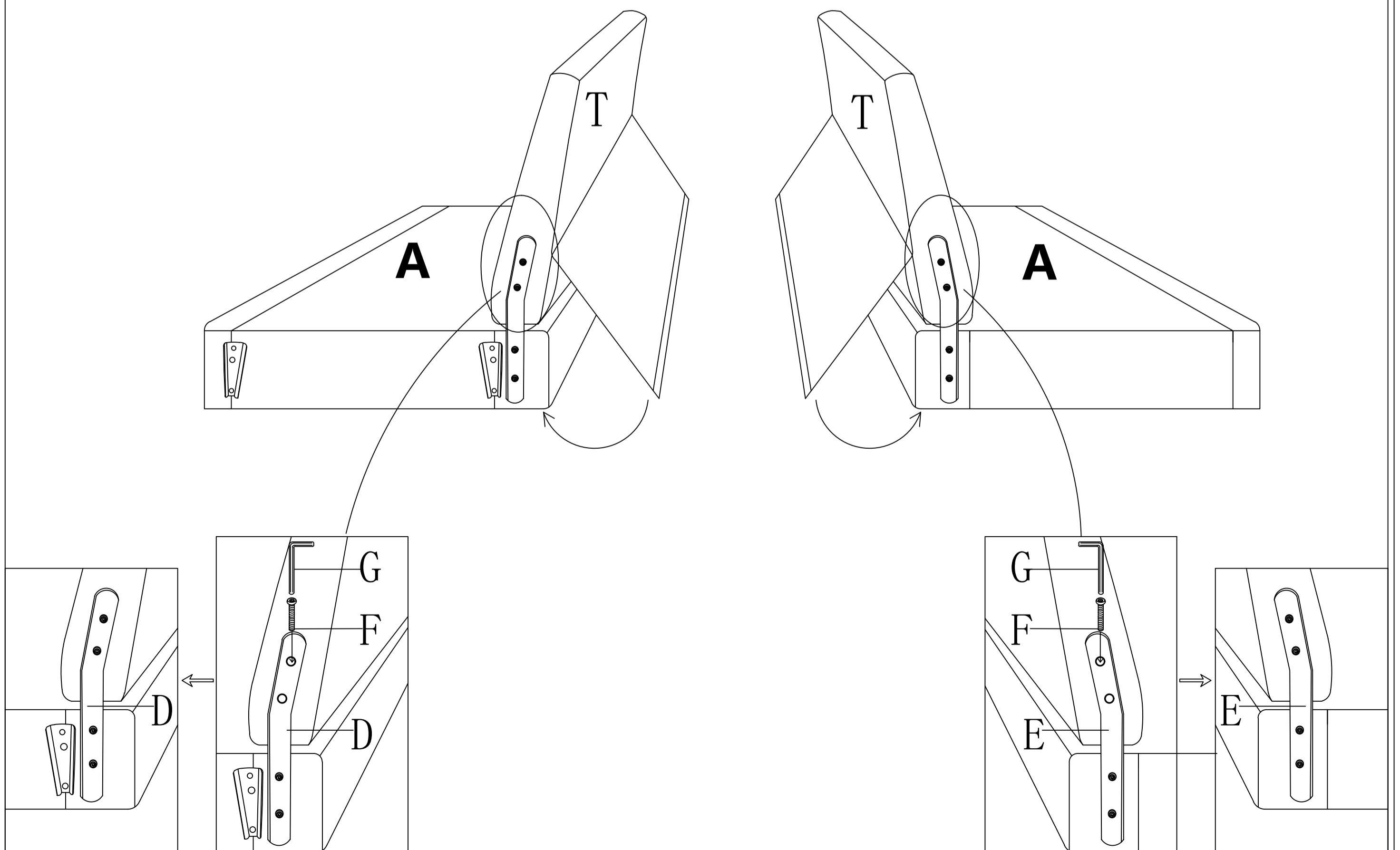
STEP 3:

Install backrest hardware accessories on both sides of the left seat frame of the sofa and distinguish the left and right



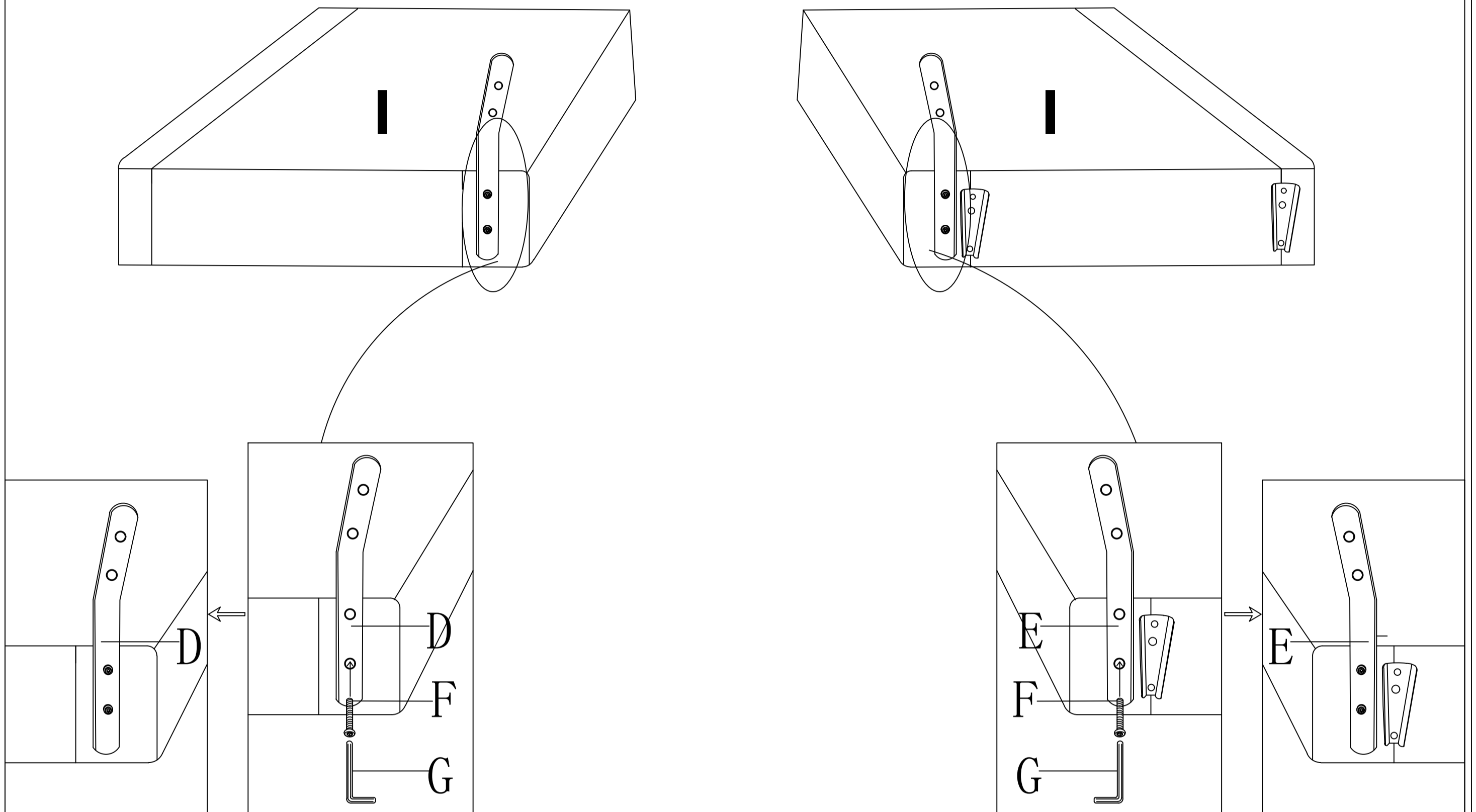
STEP 4:

Use a screw to fix the backrest on the backrest supporting members on both sides of the left seat frame, and put the back cloth down to stick the Velcro under the sofa seat frame



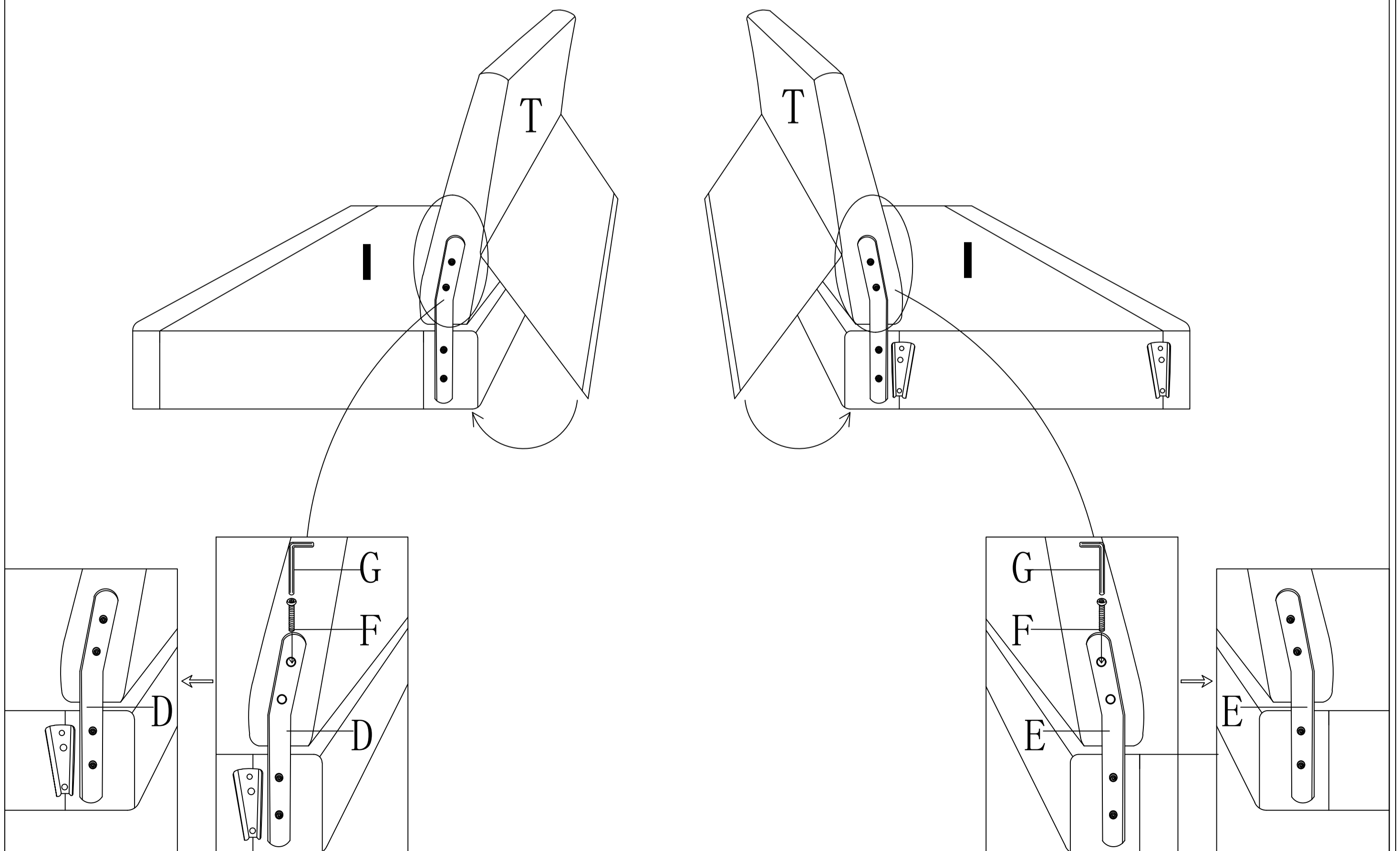
STEP 5:

Install backrest hardware accessories on both sides of the sofa right seat frame and distinguish the left and right



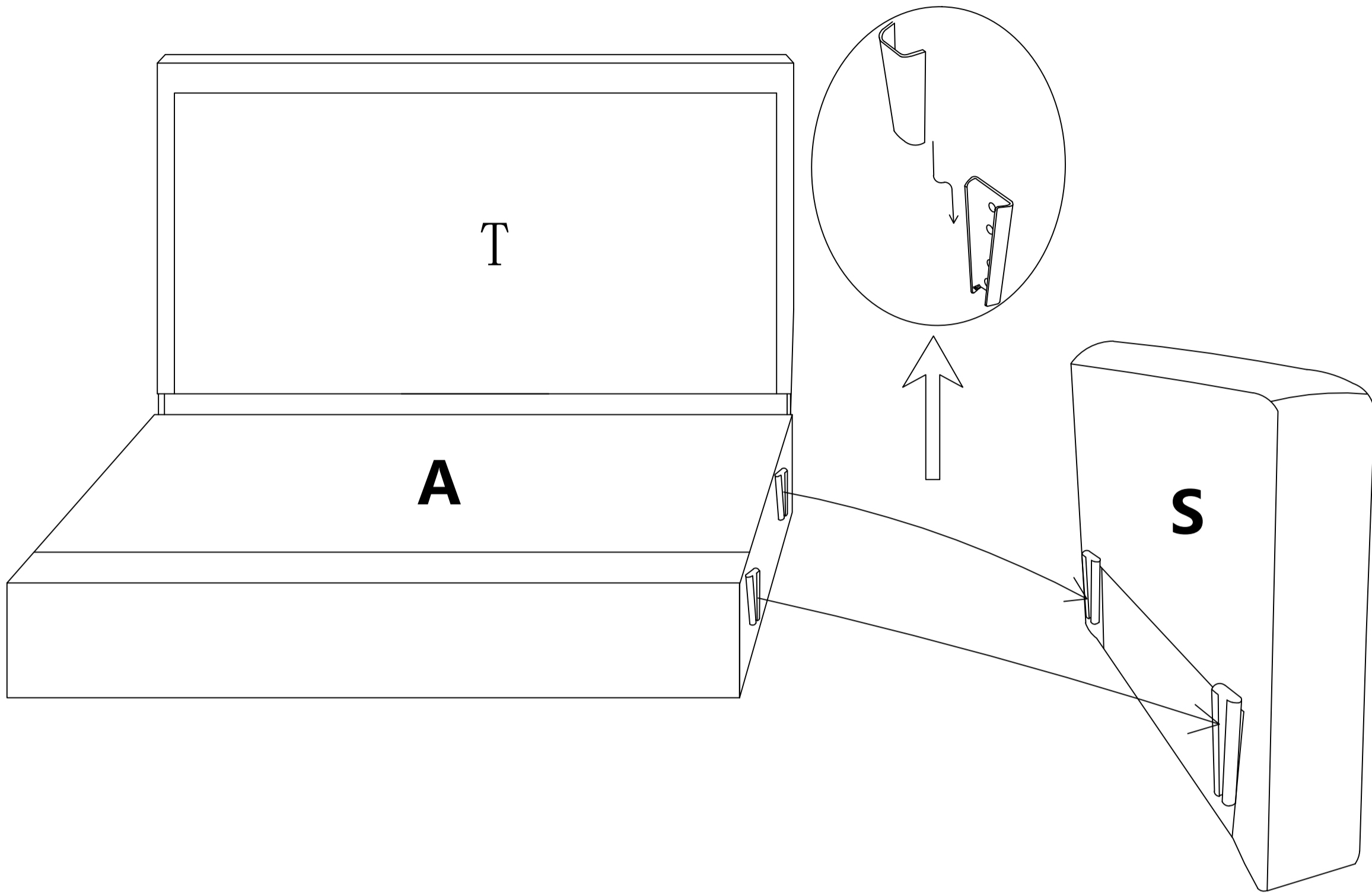
STEP 6:

Use a screw to fix the backrest on the backrest supporting members on both sides of the right seat frame, and put the back cloth down to stick the Velcro under the sofa seat frame



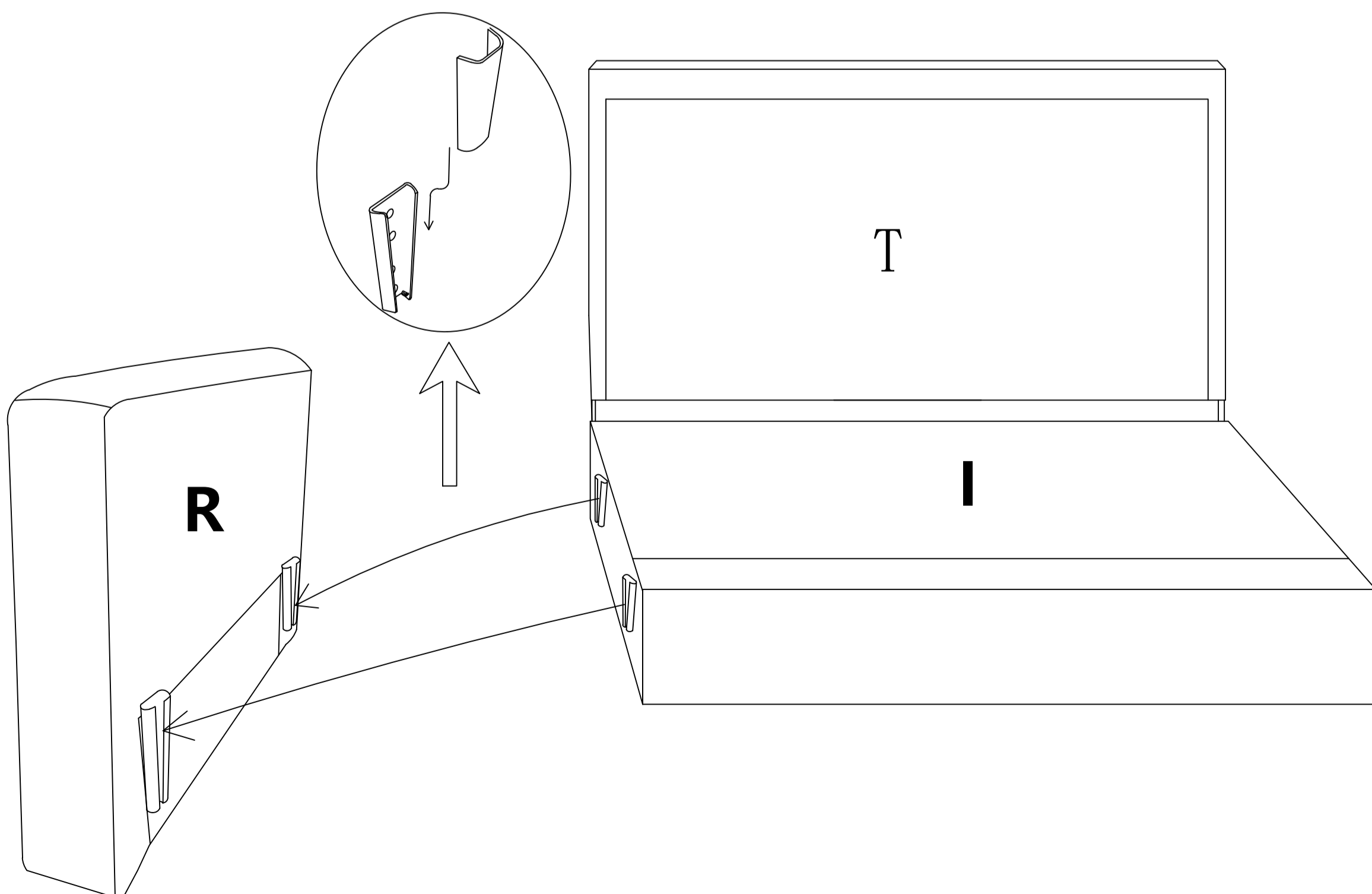
STEP 7:

Insert the left seat frame into the left armrest



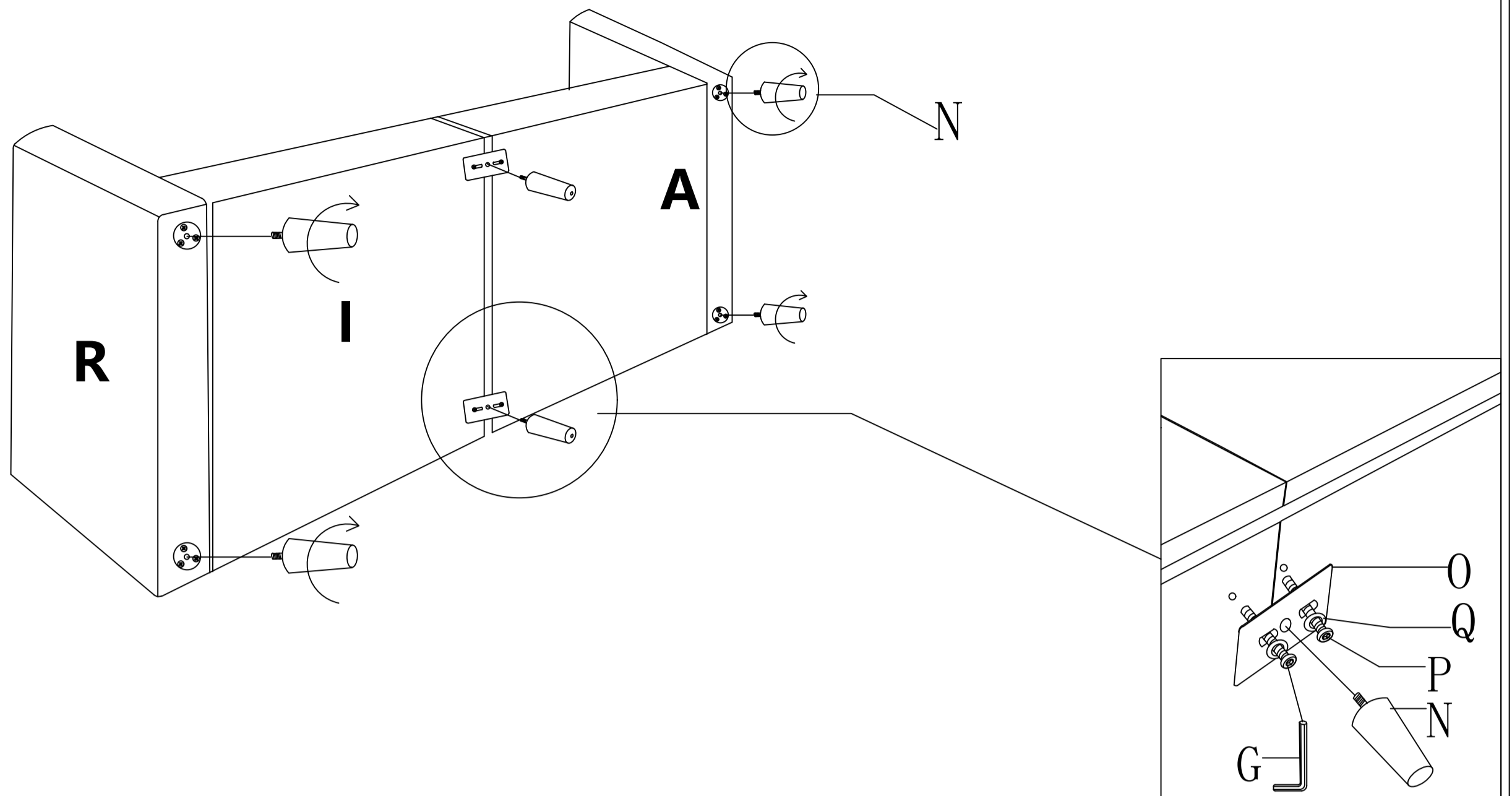
STEP 8:

Insert the right seat frame into the right armrest



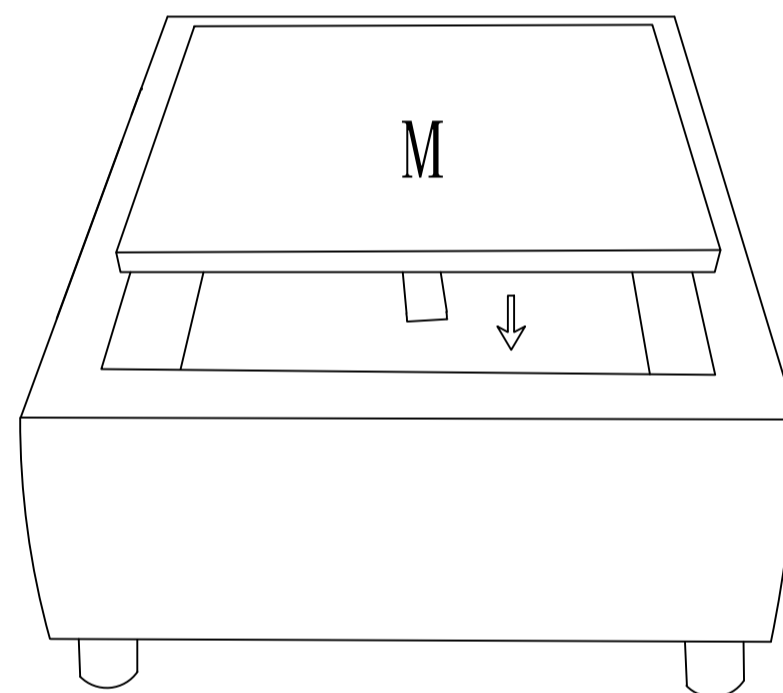
STEP 9:

Use metal connecting plates to fix the sofa frames and install the sofa feet



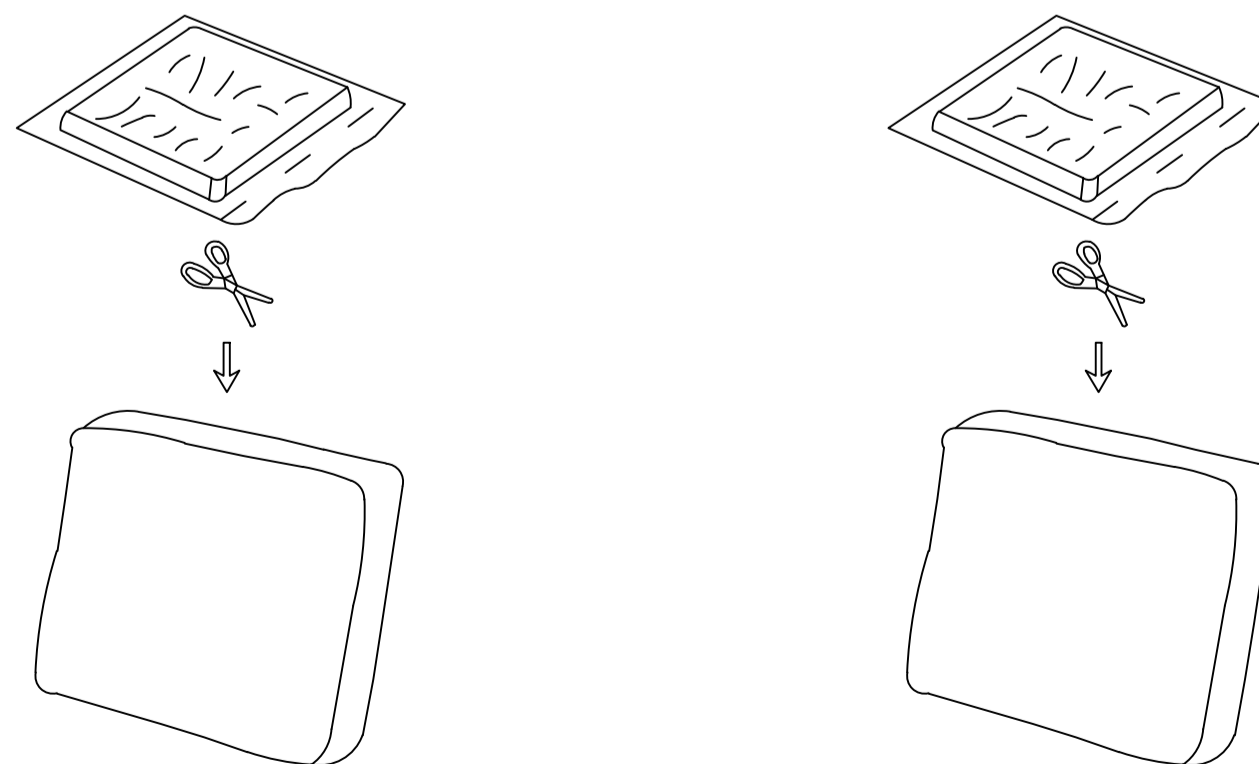
STEP 10:

Place the ottoman panel on the ottoman frame



STEP 11:

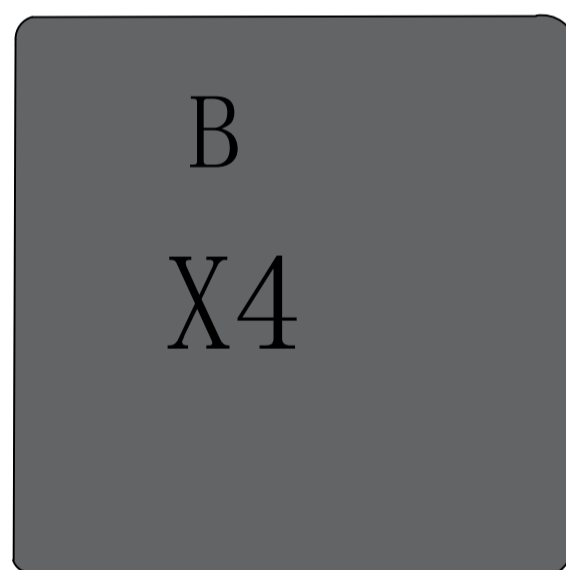
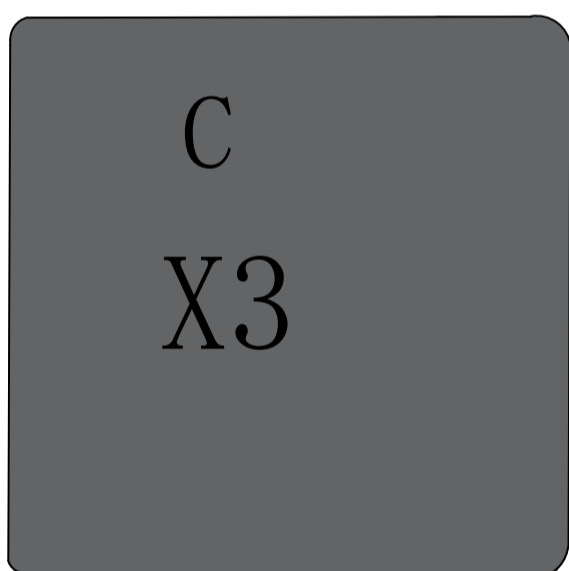
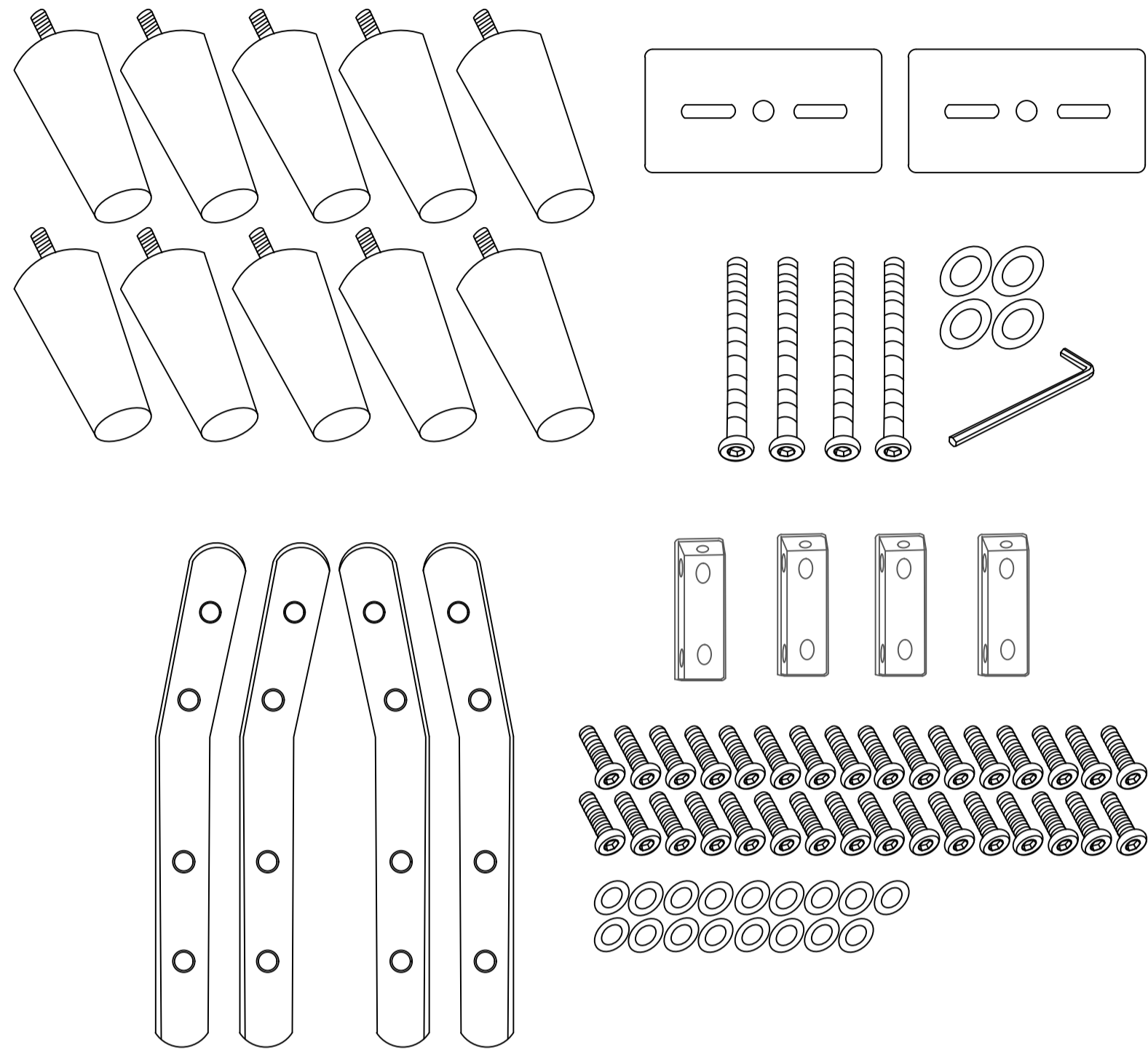
Open the compression bags with scissors



Seat cushion*4

Back Cushion*3

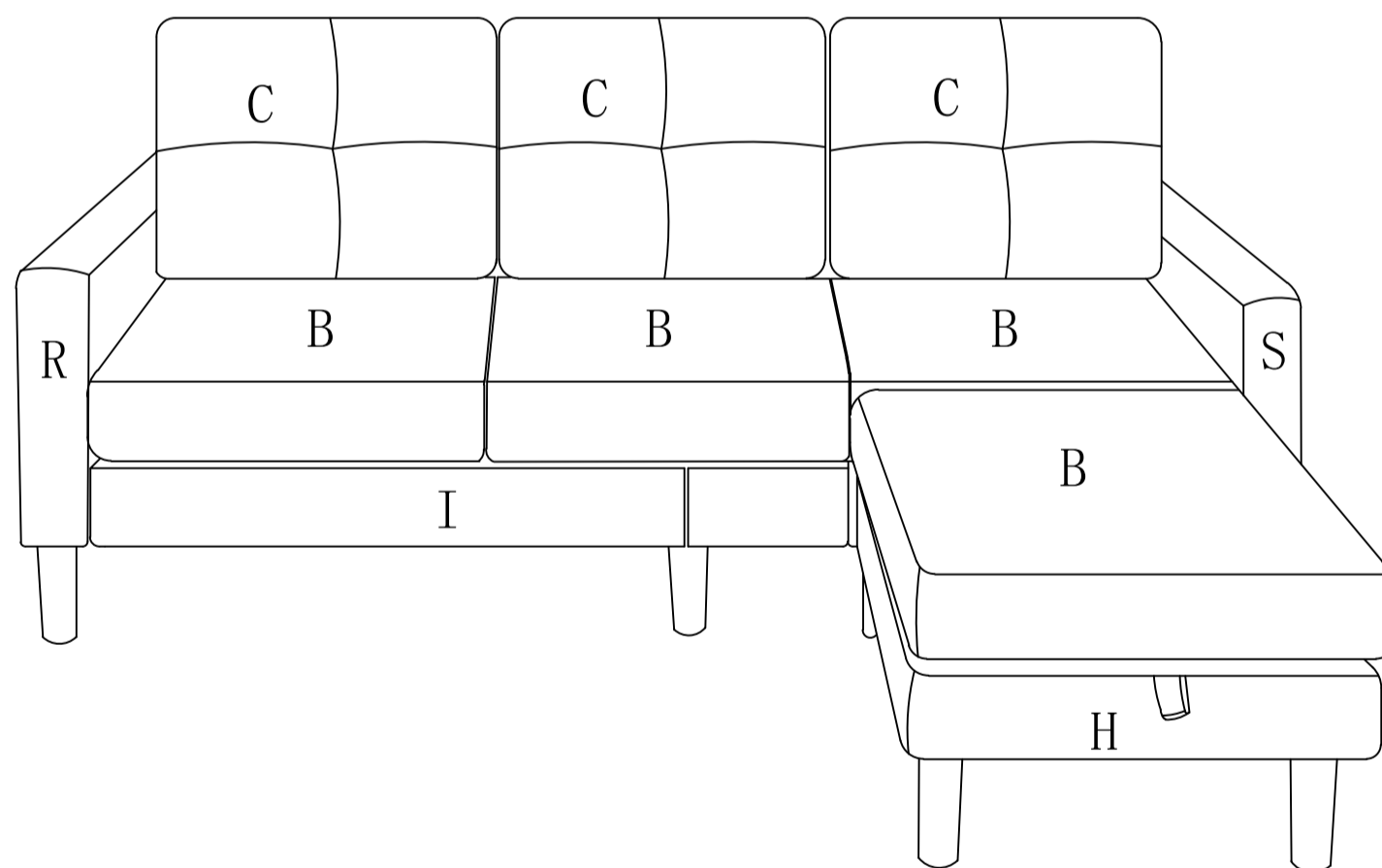
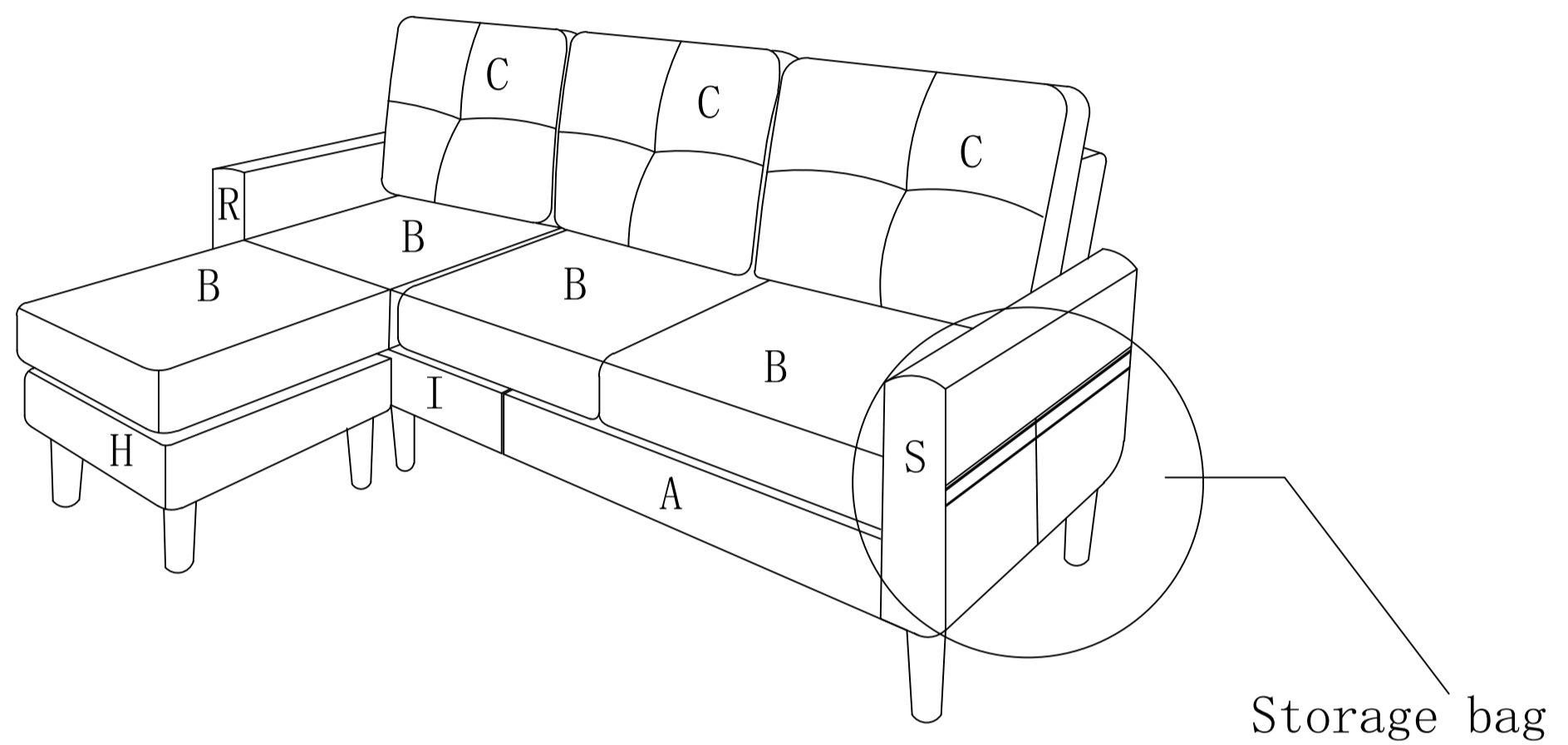
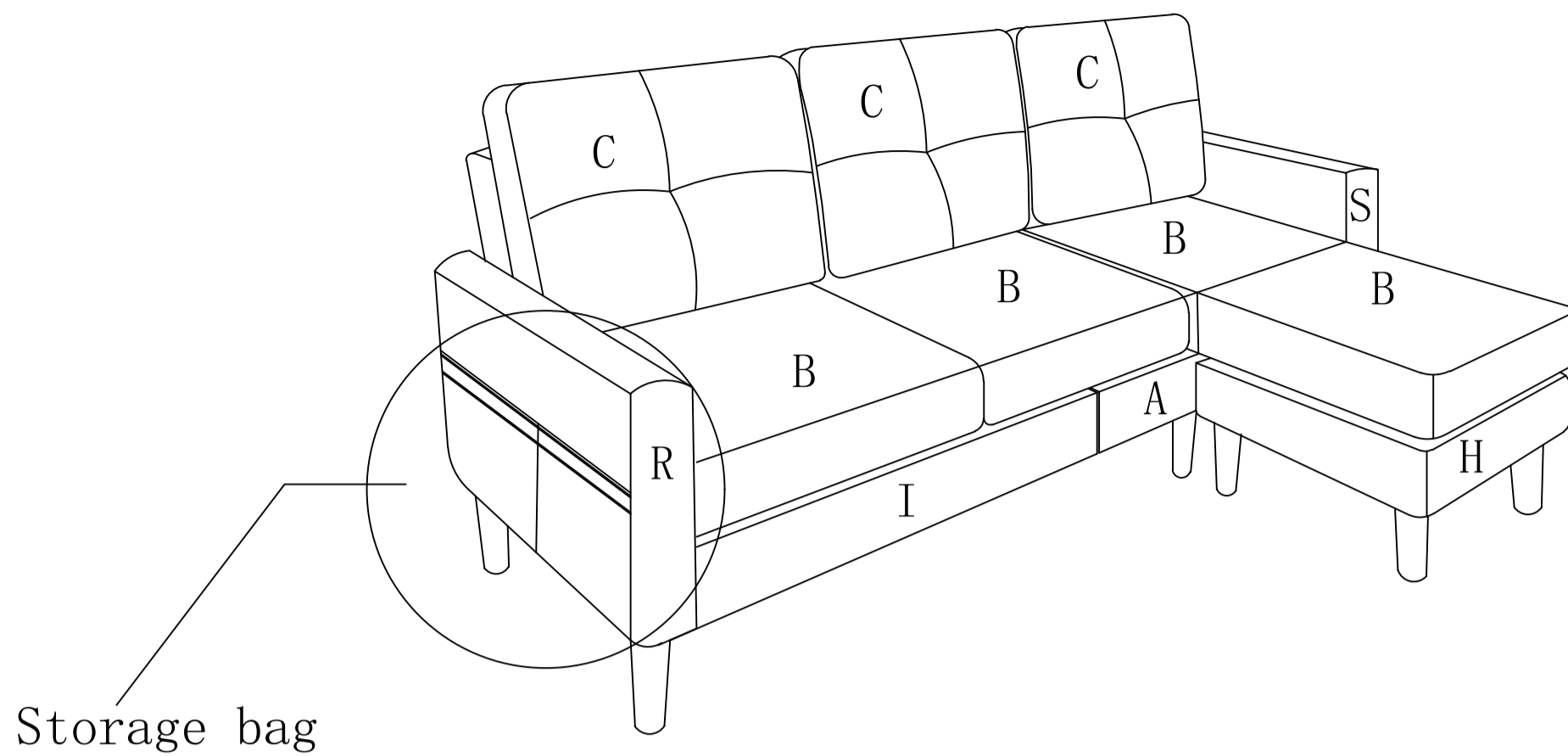
Sofa feet and backrest hardware are placed in the sofa seat frame



Three small back cushions and four small seat cushions are placed in the sofaseat frame

STEP 12:



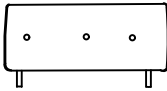
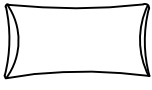

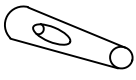



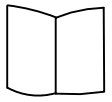
Put the seat cushion and then the back cushions on the sofa



Tip:

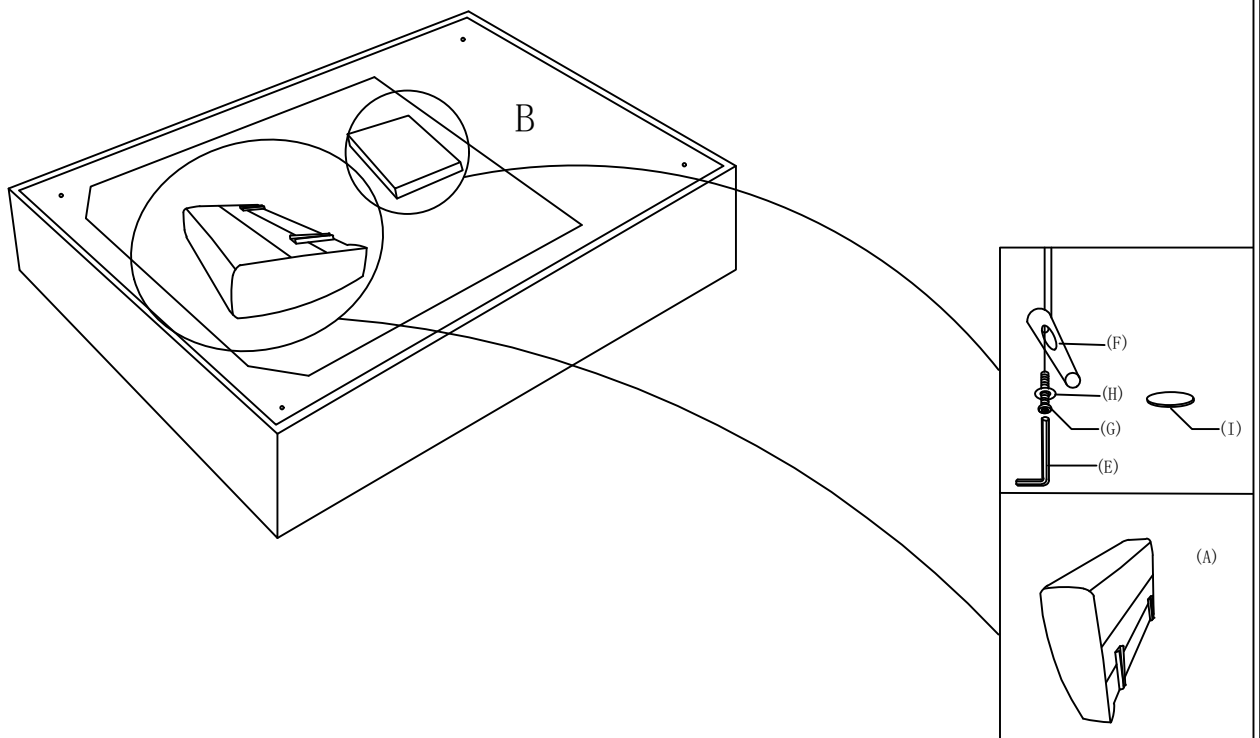
1. Back cushions are compressed to prevent humidity and mold, sometimes it's inevitable to find some wrinkles when you get them out, you can iron them or use them to help them to get back into the original shape.
2. Hand wash is preferred for daily care.

Accessories list(sitting sofa)

<p>A*</p>  <p>Right armrest (1)</p>	<p>B</p>  <p>Left armrest with seat frame (1)</p>	<p>C</p>  <p>Backrest (1)</p>	<p>D</p>  <p>Pillow (2)</p>	<p>E*</p>  <p>M5x100x40Wrench (1)</p>
<p>F*</p>  <p>18cm Sofa feet (4)</p>	<p>G*</p>  <p>8x50 screw (4)</p>	<p>H*</p>  <p>8*15mm Gasket (4)</p>	<p>I*</p>  <p>38mm Woolenmat (4)</p>	 <p>Instruction Manual (1)</p>

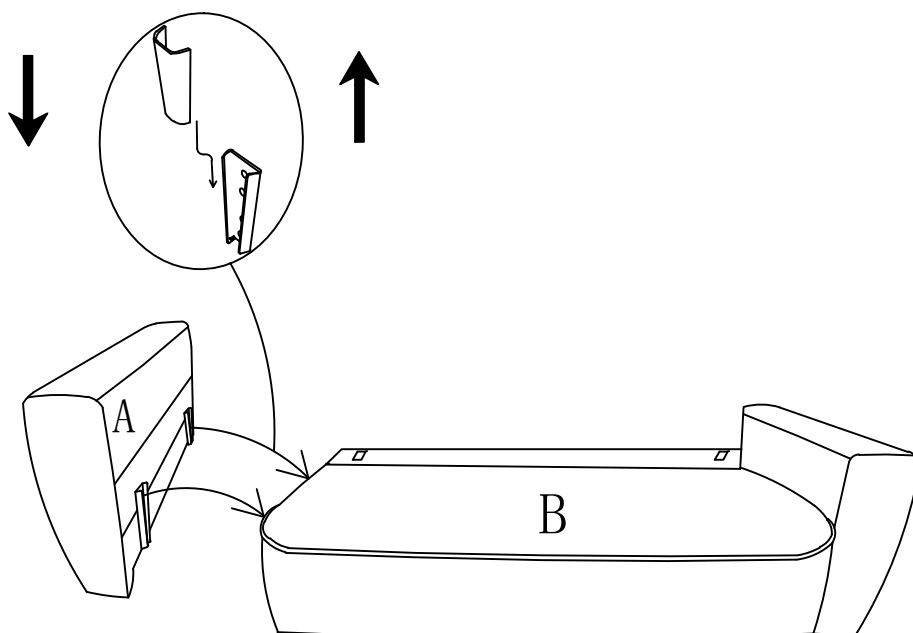
STEP 1:

Take out the accessories from the bottom of the sofa



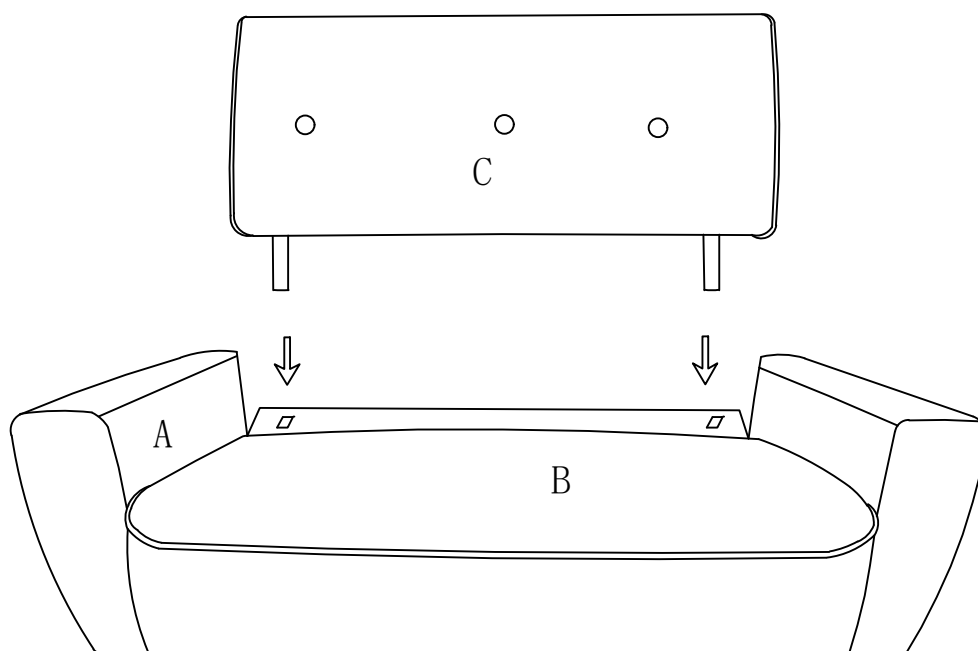
STEP 2:

Insert the right armrest into the sofa frame



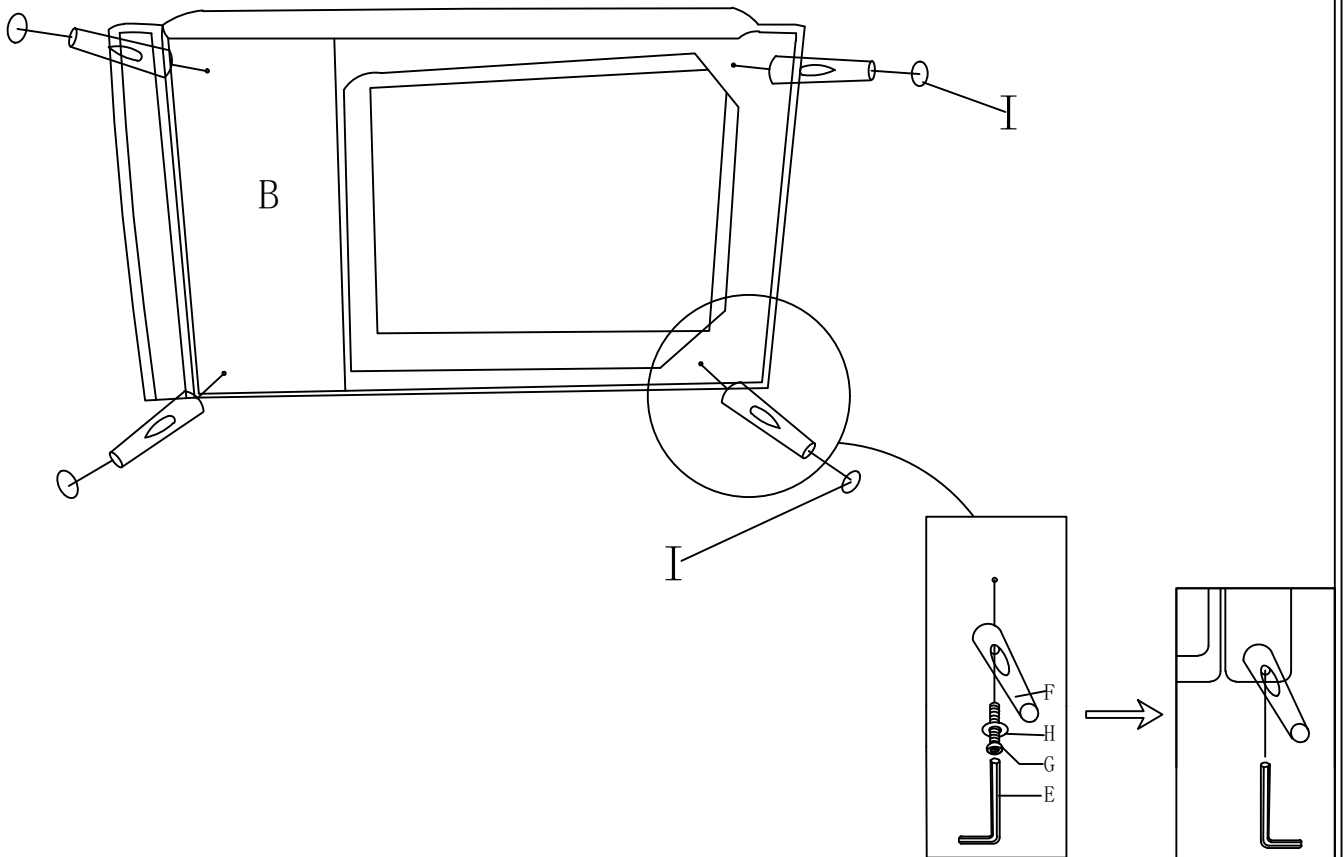
STEP 3:

Insert the backrest into the seat frame



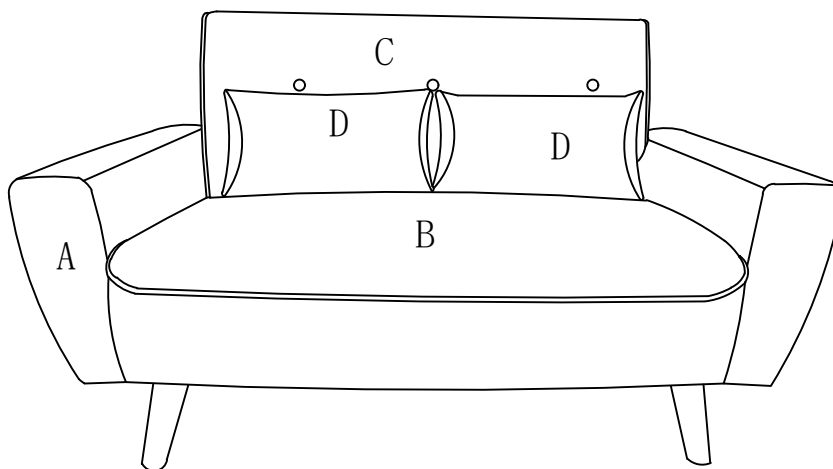
STEP 4:

Install the sofa feet.



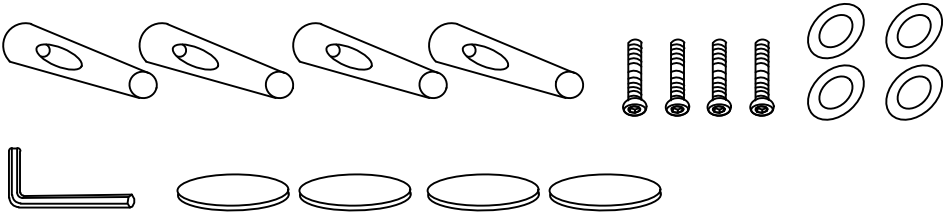
STEP 5 :

Put the pillows on the sofa and the sofa assembly completed



1. sofa feet and hardware are at the bottom of the seat frame.

2. Pillow is on the side of the seat frame.



If you meet any problem of the item ordered, please our post service team, we will offer the solution as best as we could.