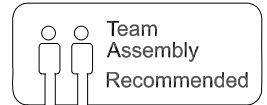


Assembly Instruction



Trouble shooting:

Missing / Wrong / Broken parts and installation issues



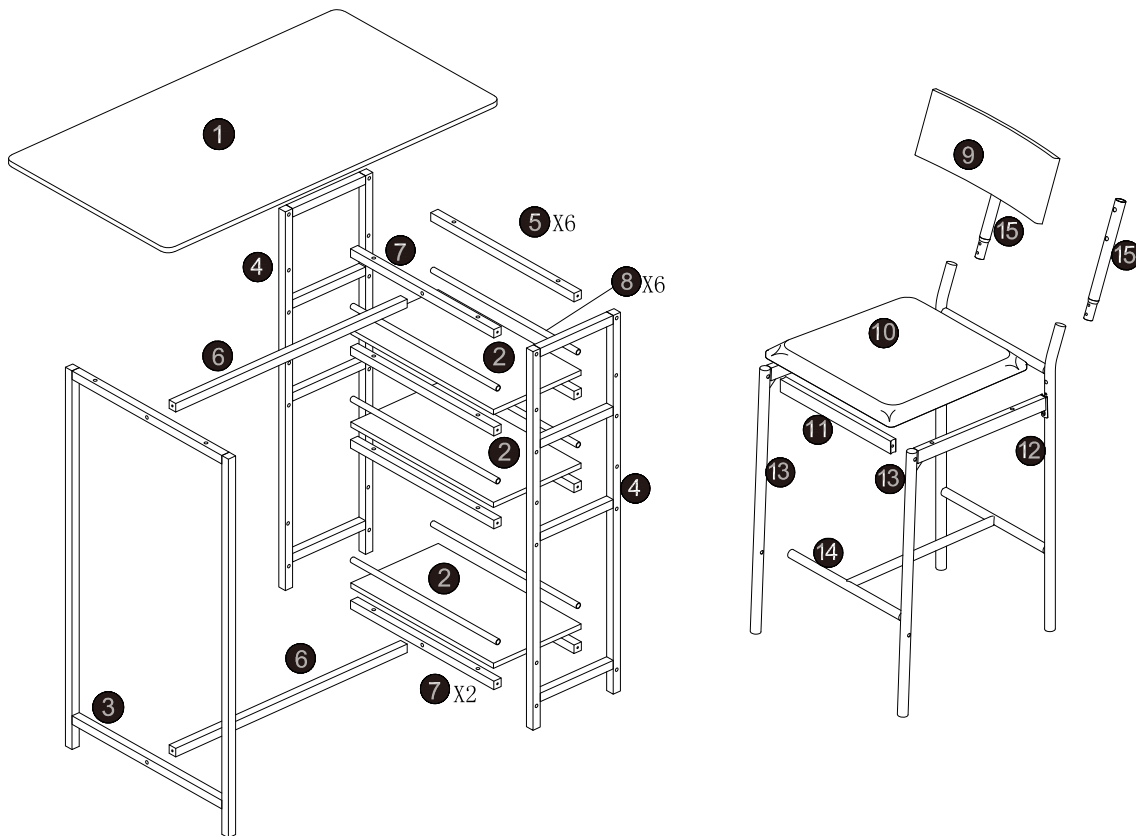
Send email with your question, pic and order NO. to



Respond within 24 hours



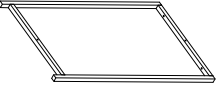
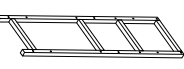





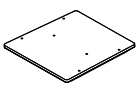

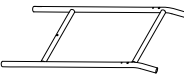
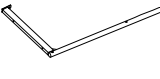
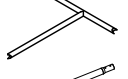



Issue resolved

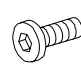
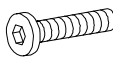
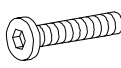
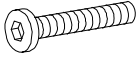
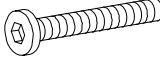



Note: Don't tighten all screws during installation.

components ▶

	915*500mm	1	X 1
	438*240mm	2	X 3
	900*480mm	3	X 1
	900*240mm	4	X 2
	440*20mm	5	X 6
	635*20mm	6	X 2
	440*20mm	7	X 2
	Ø13*440mm	8	X 6
	380*144*34mm	9	X 2
	365/395*390mm	10	X 2
	338*30mm	11	X 2
	710*355mm	12	X 2
	615*380mm	13	X 4
	410*340mm	14	X 2
	262*22mm	15	X 4

Screws & Tools ▶

A		M6*12mm	X 12
B		M6*28mm	X 18
C		M6*30mm	X 8
D		M6*35mm	X 46
E		M6*45mm	X 8
F		4mm	X 1

Check all the components & screws before assembly.
Do not install in case part is missing, contact us to get.
 Send email with your question to
 We will resend within 24 hours.

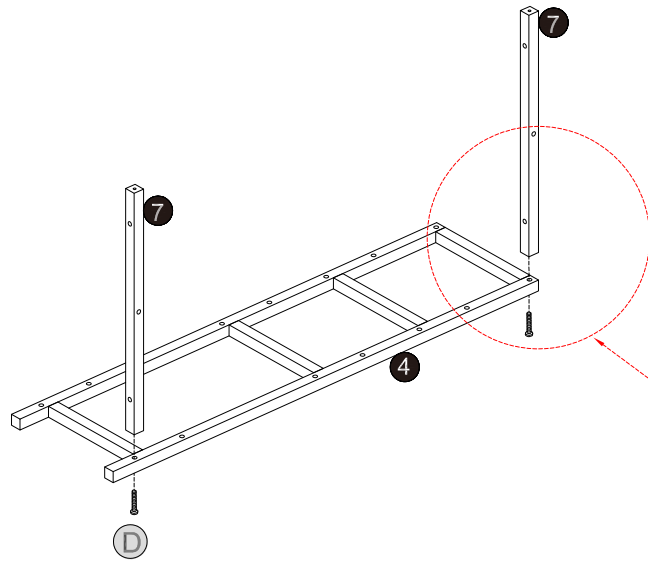
Step1:

(D) M6*35mm

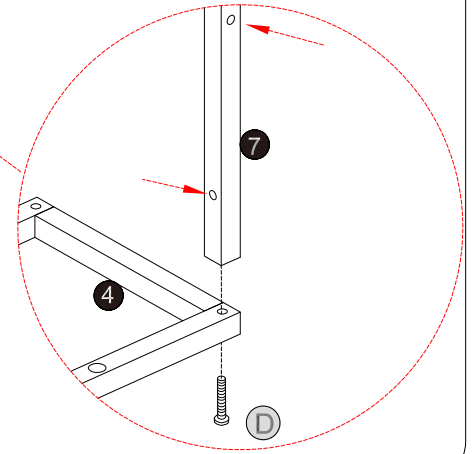


2pcs

(F) 4 mm



PLS pay Attention the holes



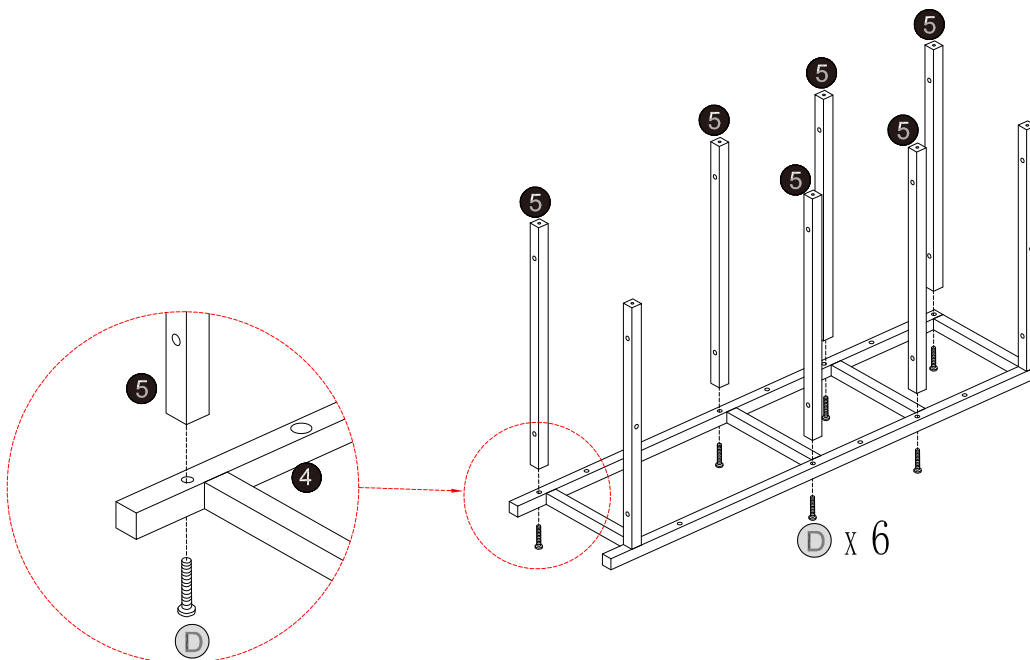
Step2:

(D) M6*35mm



6pcs

(F) 4 mm



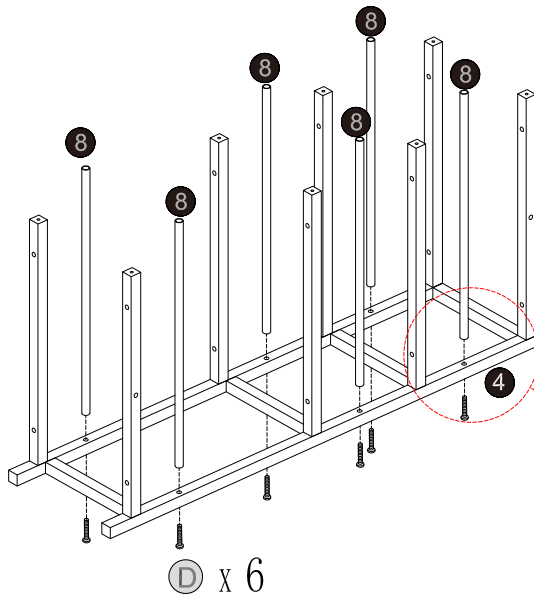
Step3:

(D) M6*35mm

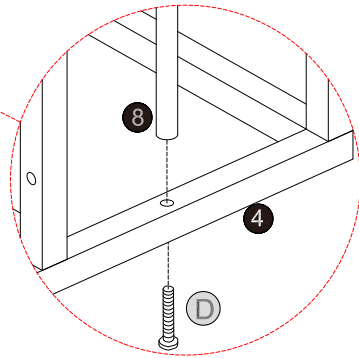


6pcs

(F) 4 mm



(D) x 6



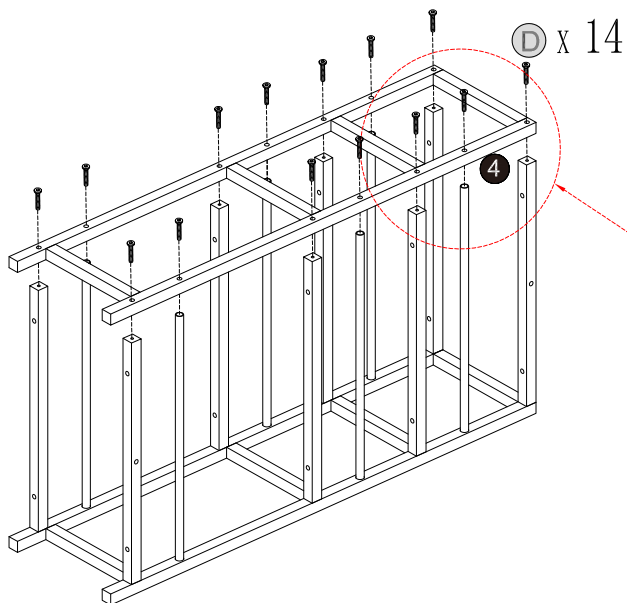
Step4:

(D) M6*35mm

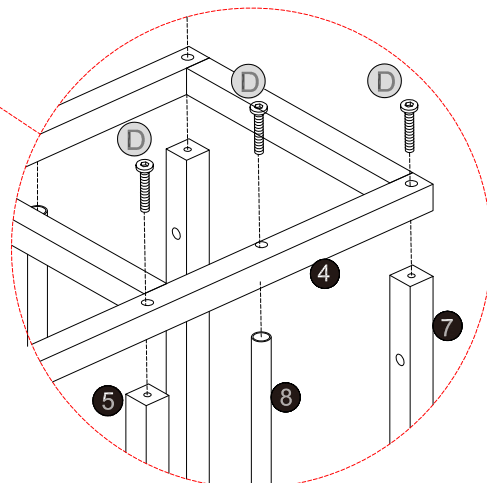


14pcs

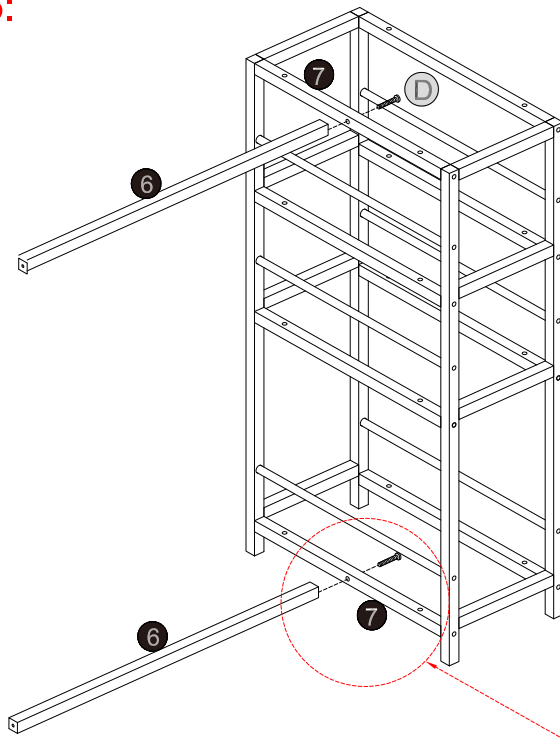
(F) 4 mm



(D) x 14



Step5:

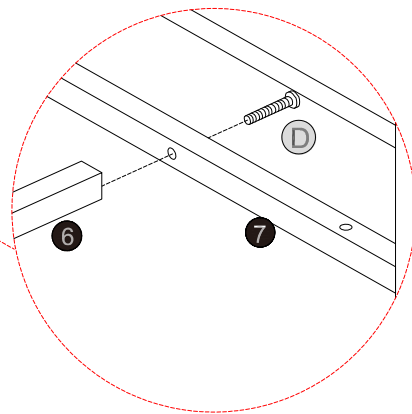


(D) M6*35mm

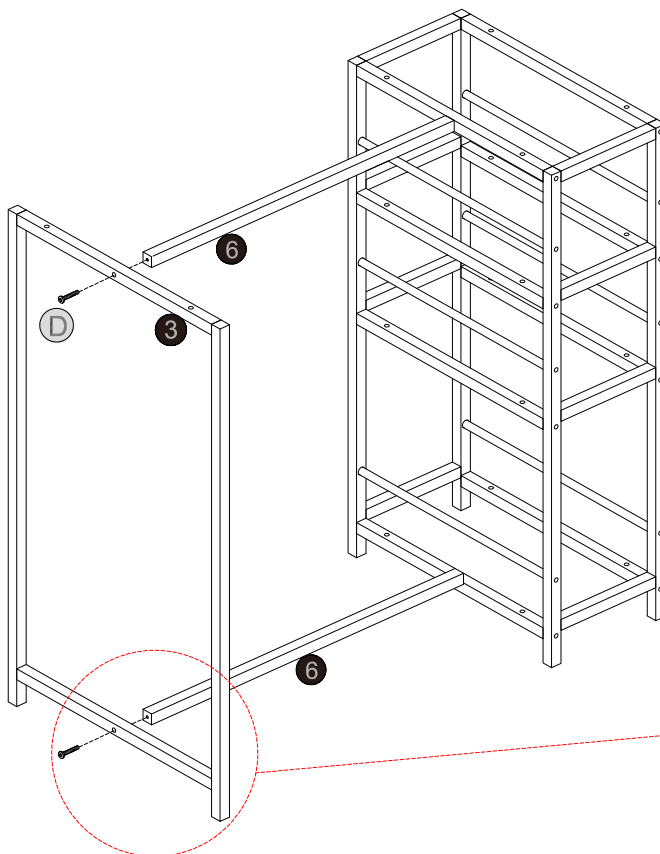


2pcs

(F) 4 mm



Step6:

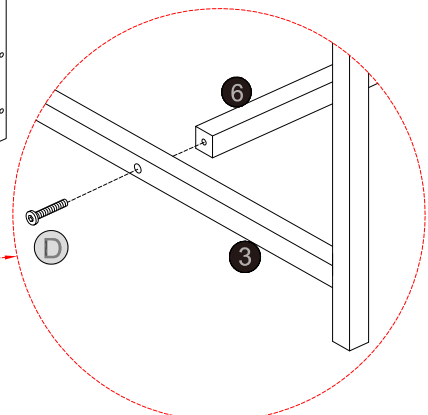


(D) M6*35mm

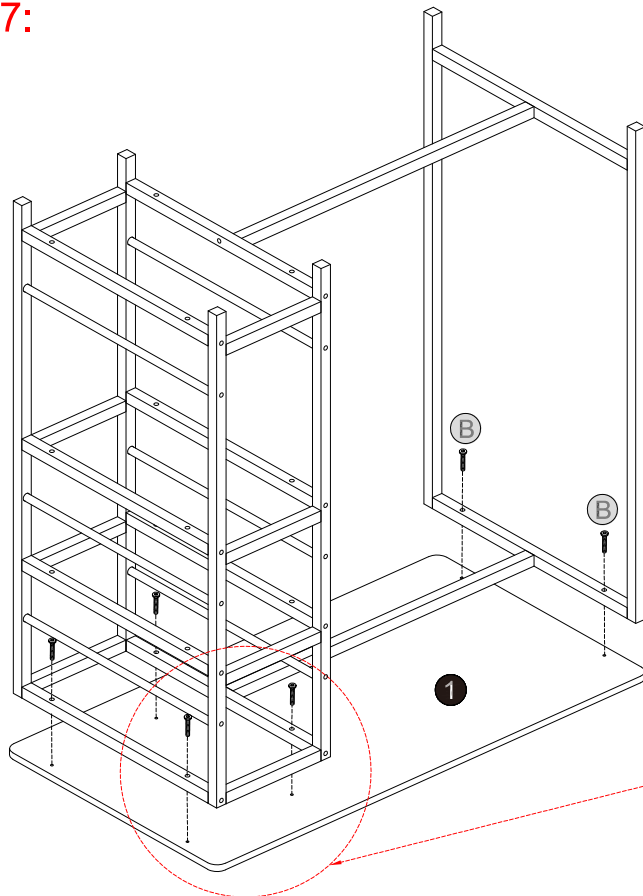


2pcs

(F) 4 mm

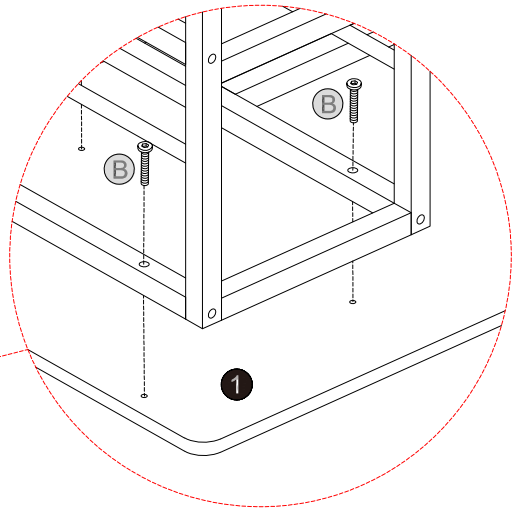


Step7:

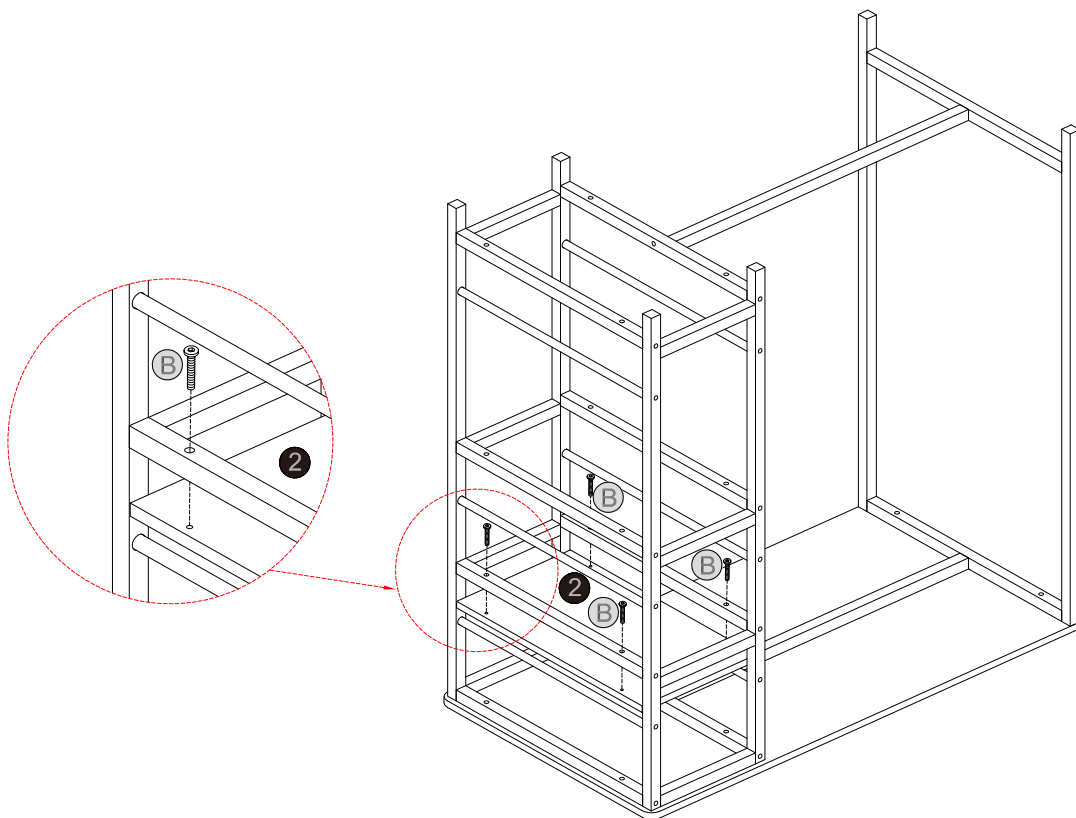


(B) M6*28mm
6pcs

(F) 4 mm



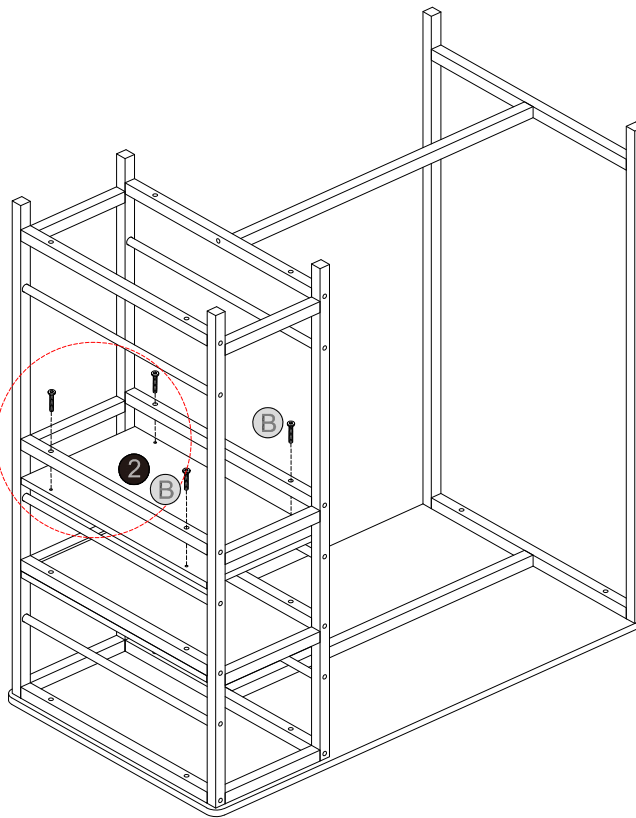
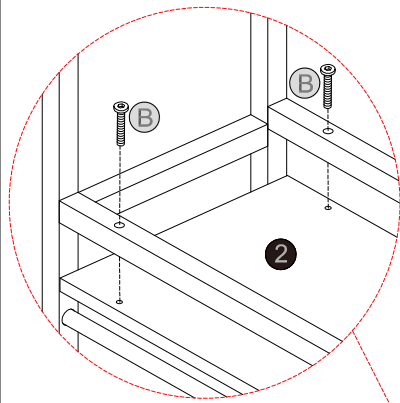
Step8:



(B) M6*28mm
4pcs

(F) 4 mm

Step9:



(B) M6*28mm

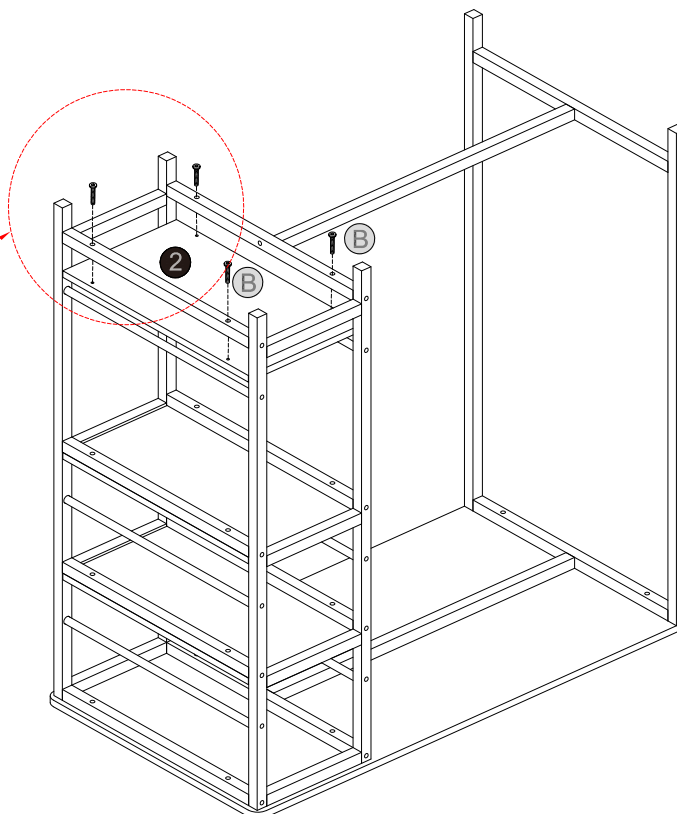
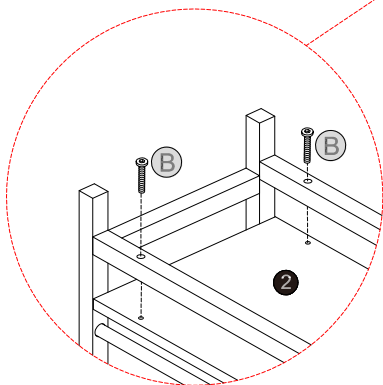


4pcs

(F) 4 mm



Step10:



(B) M6*28mm

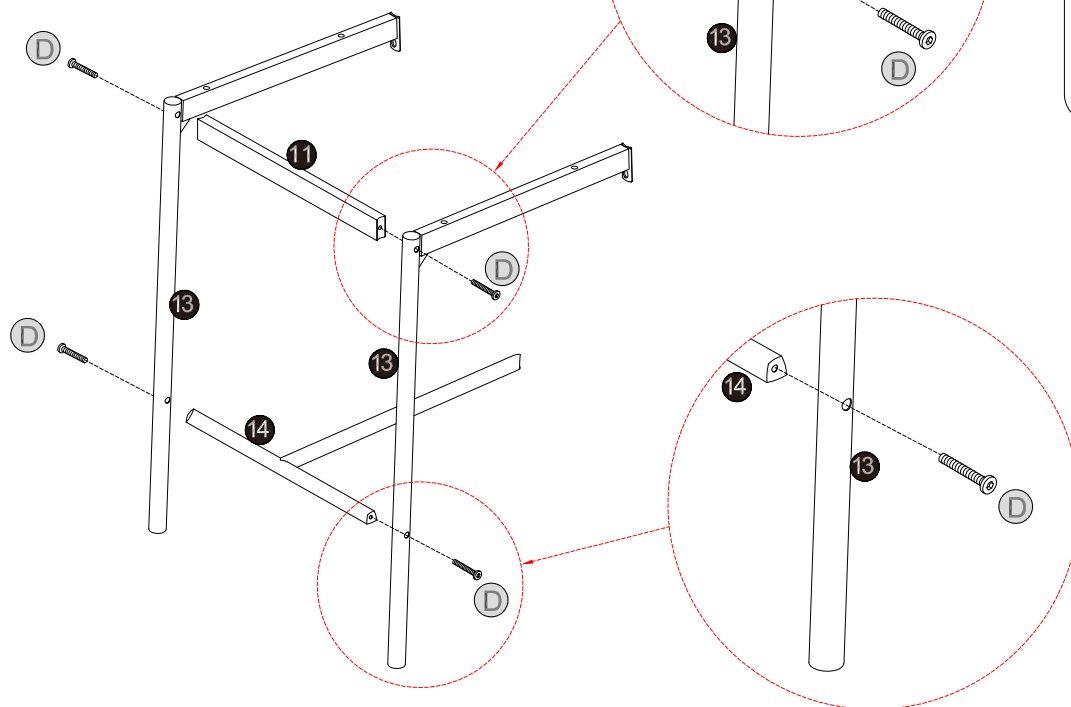



4pcs

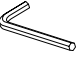
(F) 4 mm



Step11:

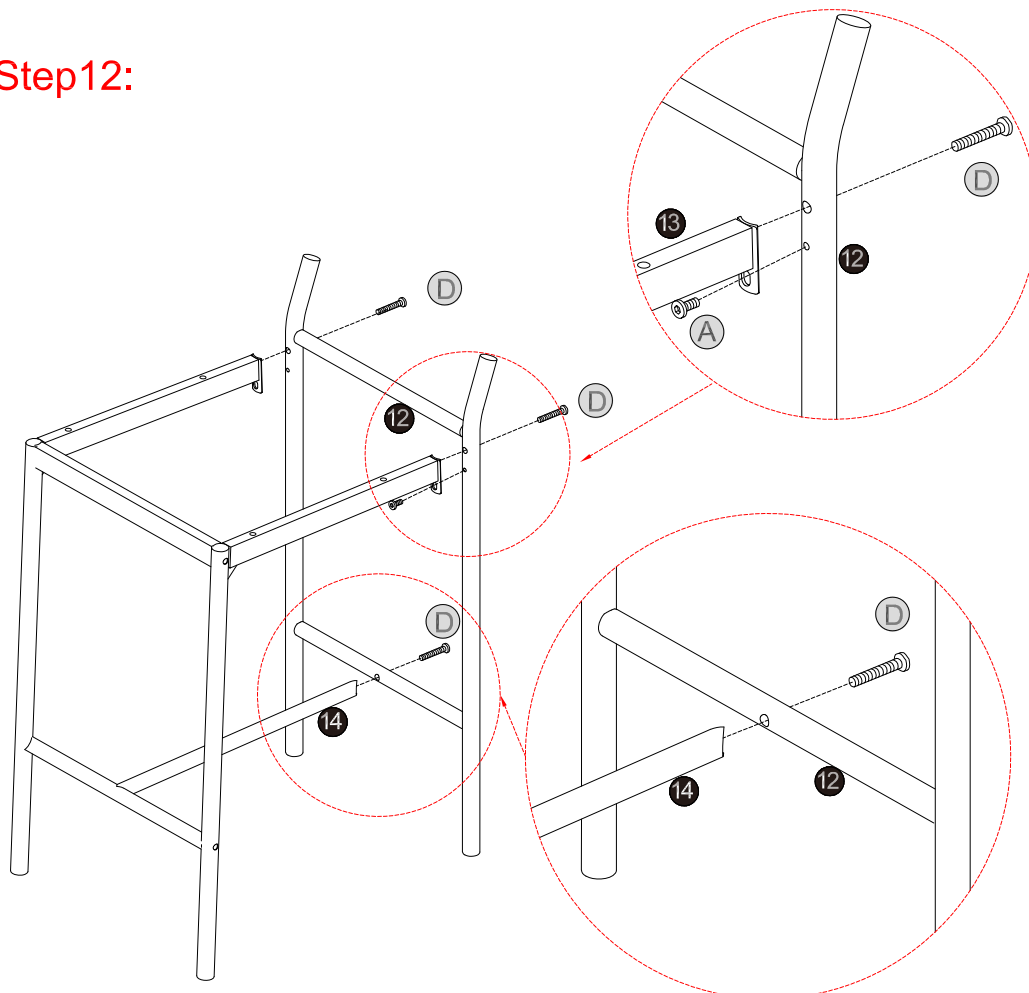



(D) M6*35mm

8pcs


(F) 4 mm


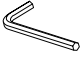
x2

Step12:



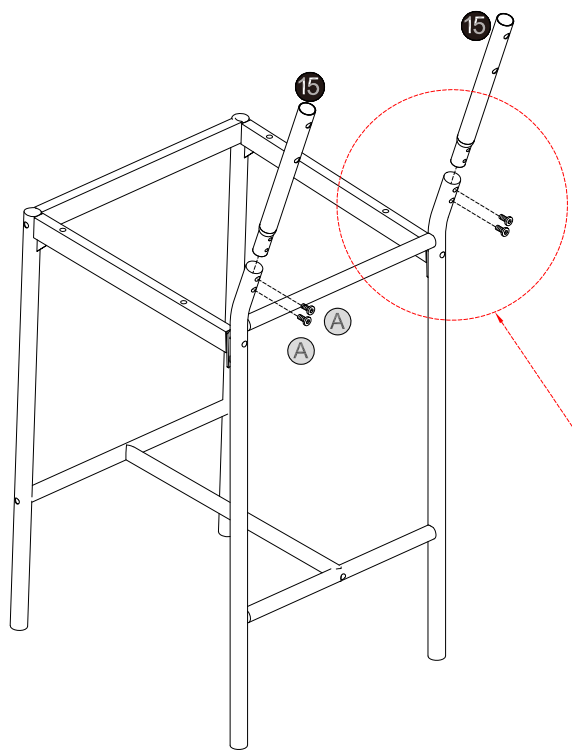
(A) M6*12mm

4pcs


(D) M6*35mm

6pcs

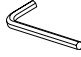
(F) 4 mm


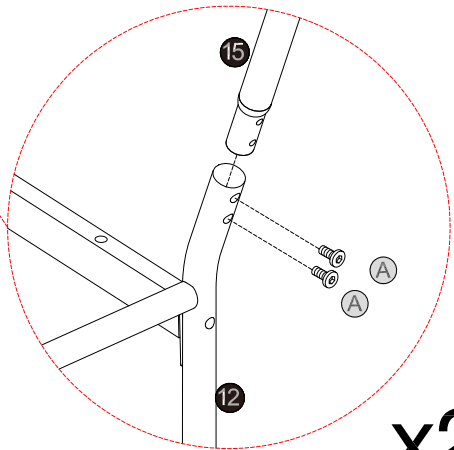
x2

Step13:



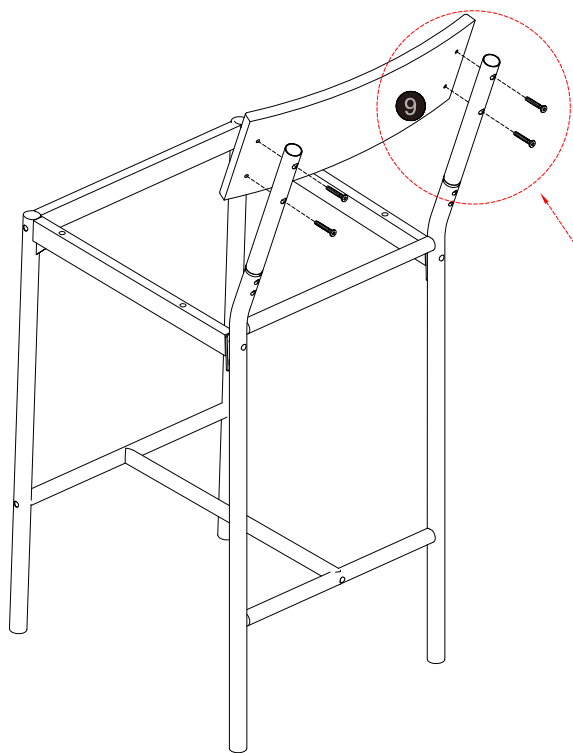
(A) M6*12mm

8pcs


(F) 4 mm


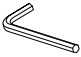


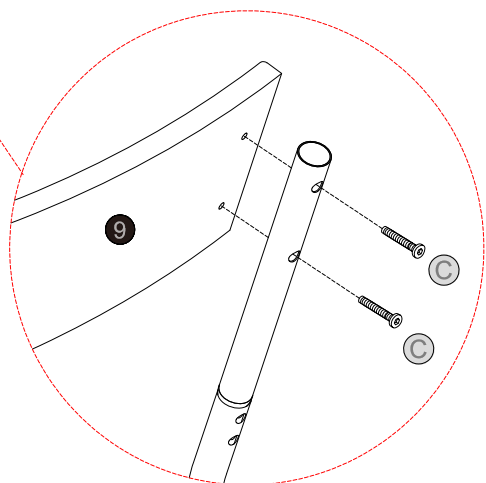
x2

Step14:



(C) M6*30mm

8pcs

(F) 4 mm




x2

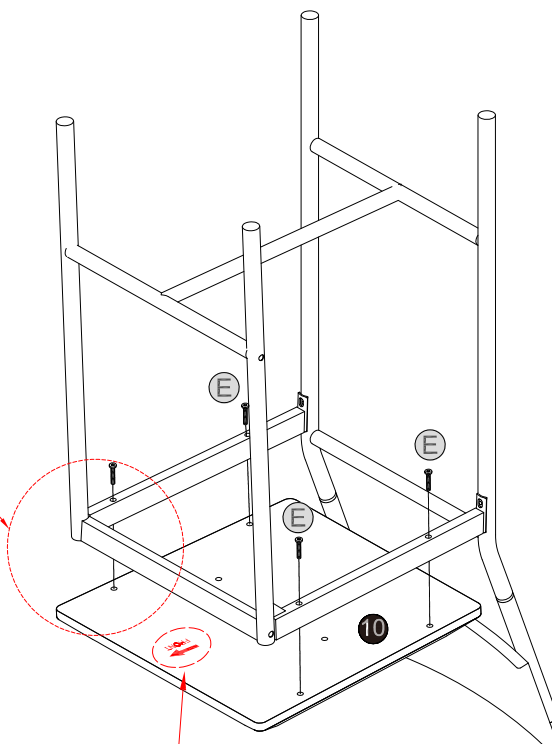
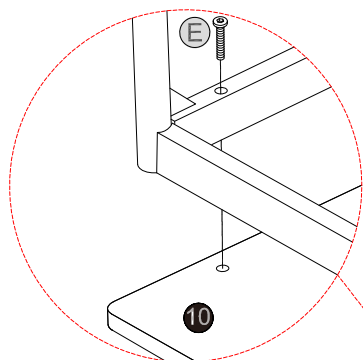
Step15:

E M6*45mm



8pcs

F 4 mm

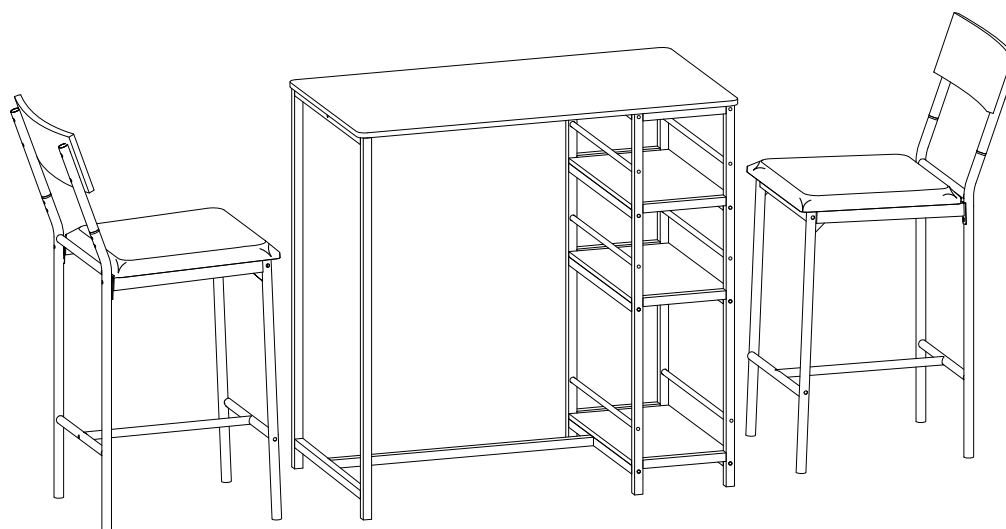


PLS pay Attention!



x2

Step16:



Note:Pls check and tighten all screws.

IMPORTANT SAFETY INFORMATION

Please carefully read the instructions and caution warnings below before assembling the product. Following this guide will ensure that you install, use and maintain the product properly.

- Please keep this installation and user manual/instructions for future reference in case you need to assemble the product.
- Do not assemble if you notice serious damage such as cracks or bends.
- During installation, please use work gloves for hand safety.
- Please assemble the unit on carpeted floor or the flat cardboard box to avoid scratching the surface or your floor while assembling on the floor.
- To assemble, please use the complimentary installation tools (Allen Wrench). Pay more attention to the direction of components at each steps.
- It is recommended that two people work together to assemble the product.
- Please do not tighten the screws up too much, just to 80% before you finish to make the installation go on successfully.

HOW TO MAINTAIN YOUR PRODUCT:

- Check the screws of the product are not loose from regular use.
- Do not use sharp instruments, rubbing alcohol, corrosive chemicals, or abrasive cleaners to clean the product.
- Do not keep the product in a damp environment for a long period of time. The damp environment may cause the iron components to rust and the plates to bulge and crack.