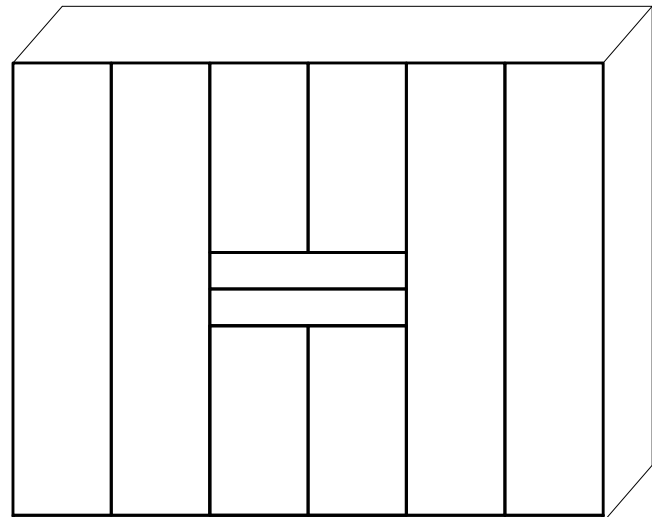
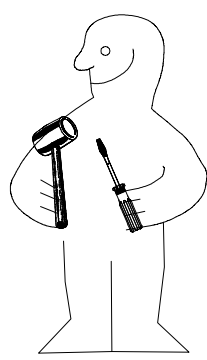
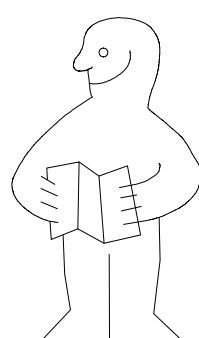
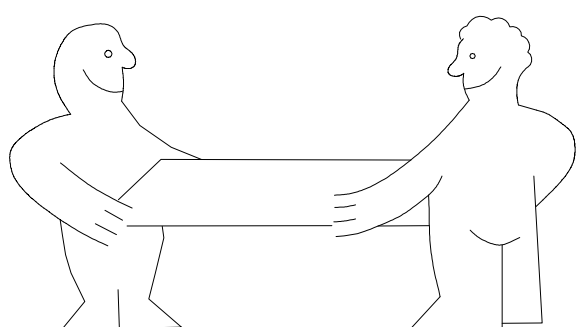
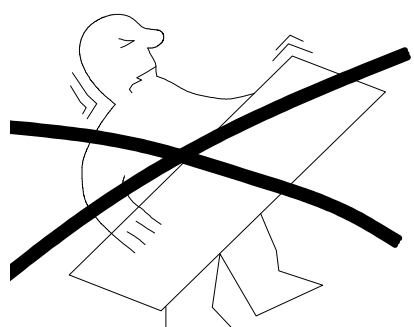


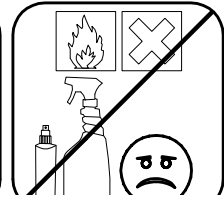
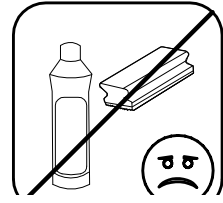
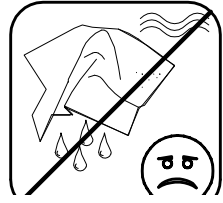
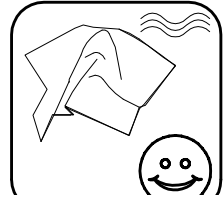
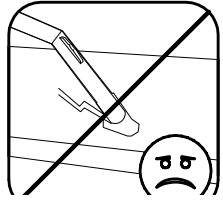
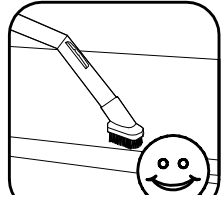
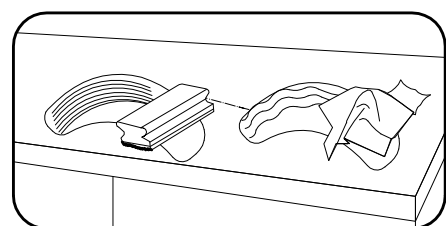
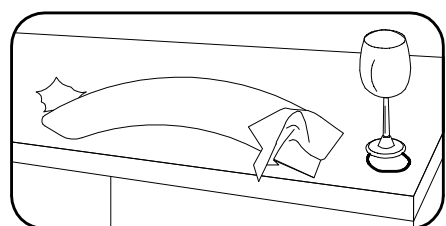
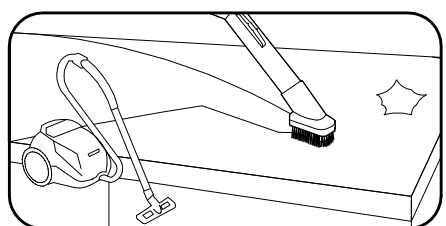
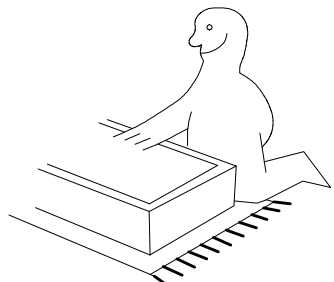
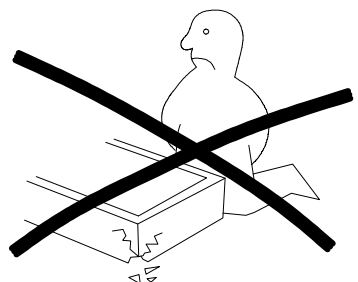
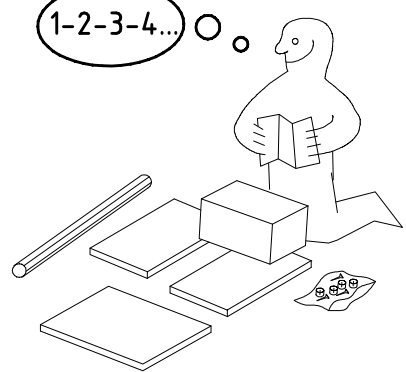
980548



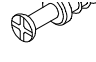


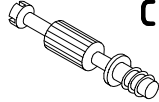
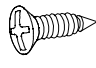
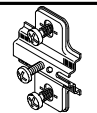
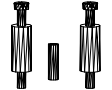
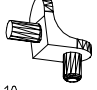

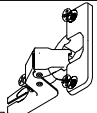
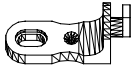


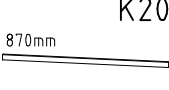

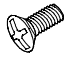


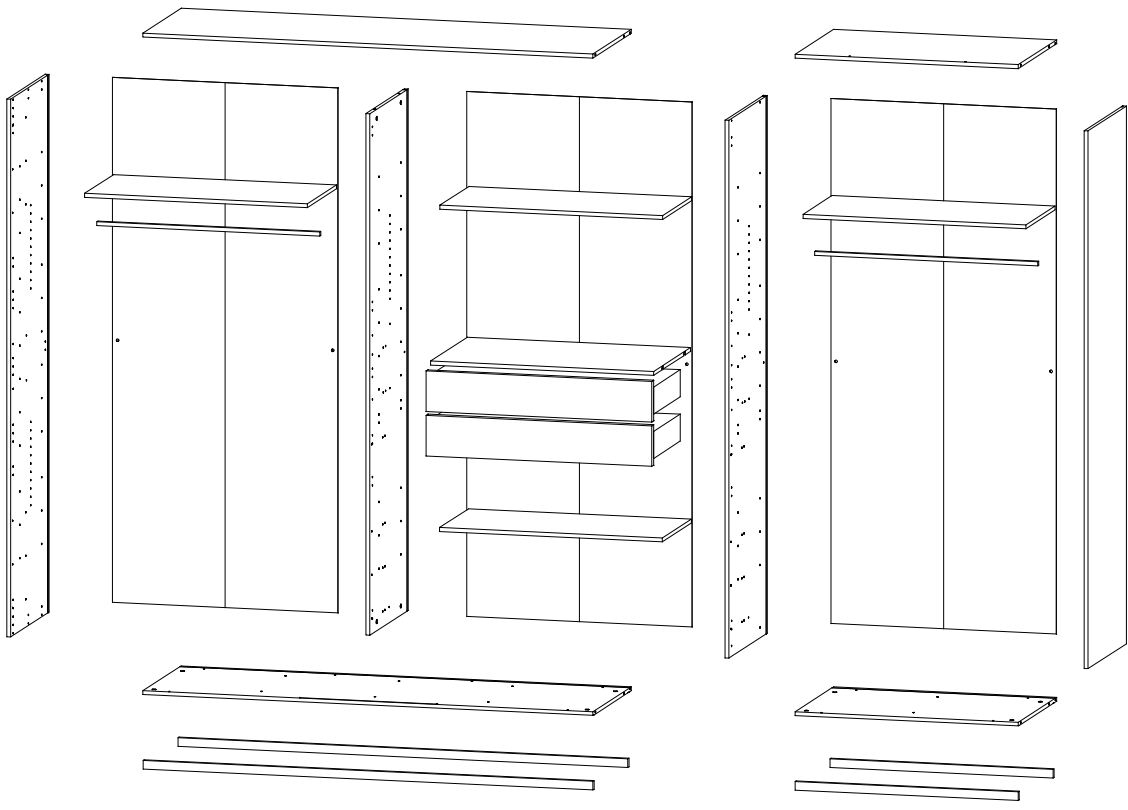
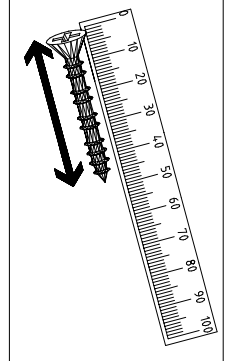
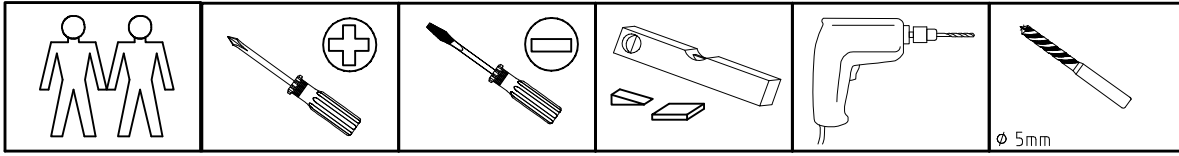
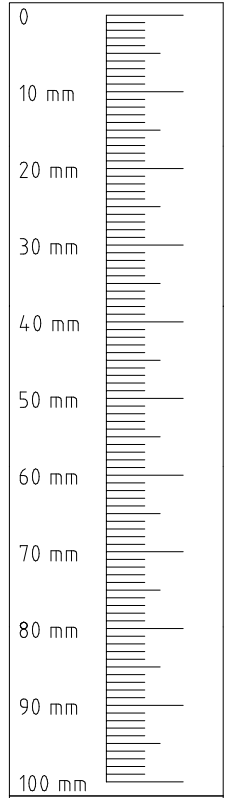
NSP 270

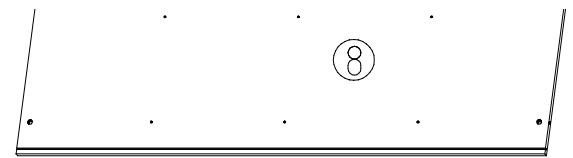


1-2-3-4... ○

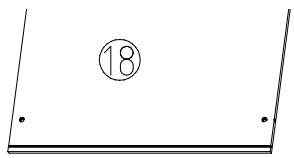


| | | | | | | | |
|--|-----------------|--|------------------|---|------------------|--|------------------|
|  111 252 | 4x |  163 007 | 2x |  111 229 3,5 x 15 mm | 4x |  121 375 | 18x |
|  111 102 | A 20x |  111 103 | C 12x |  121 370 | G1 10x |  112 268 | M 20x |
|  111 174 | F3 4x |  111 610 | L7 16x |  112 190 M6 x 10 | Y20 4x |  112 267 | N 20x |
|  111 174 | J1 6x |  121 181 | SBV 6x |  112 616 M4 x 9 mm | T3 8x |  870mm | K20 2x |
|  117 001 | K1 4x | | |  111 015 | G8 4x | | |

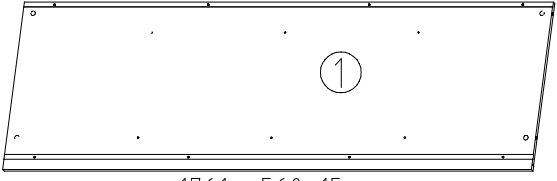




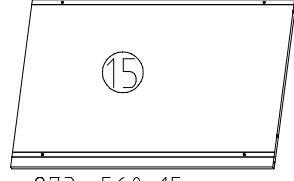
1761 x560x15



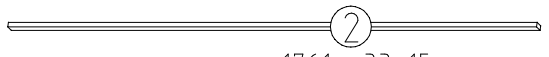
873 x560x15



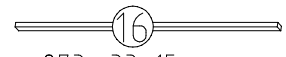
1761 x560x15



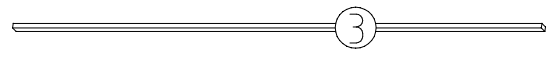
873 x560x15



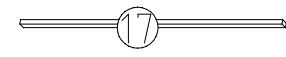
1761 x33x15



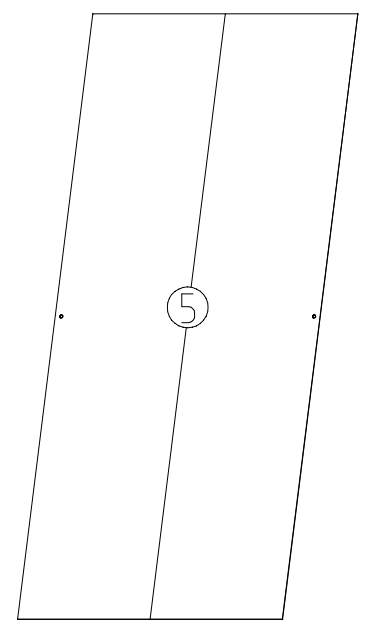
873 x33x15



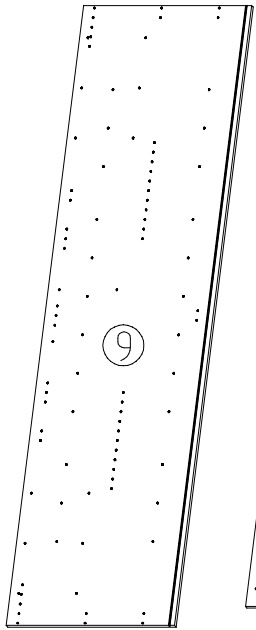
1761 x33x15



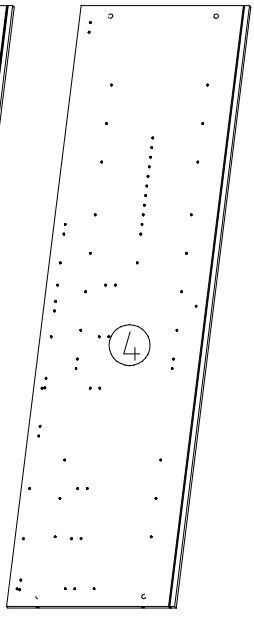
873 x33x15



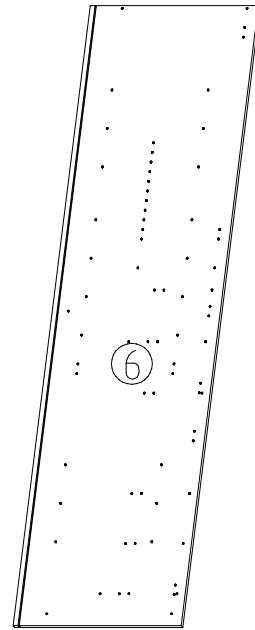
3x 2015x882x2,5



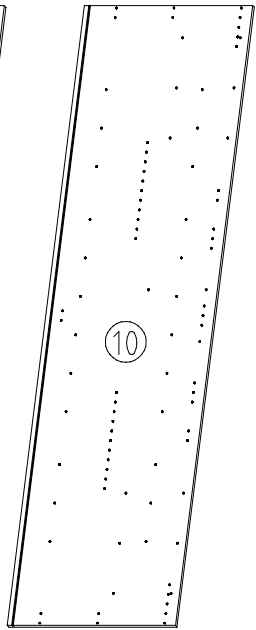
2064x560x15



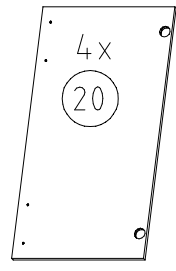
2001x560x15BB



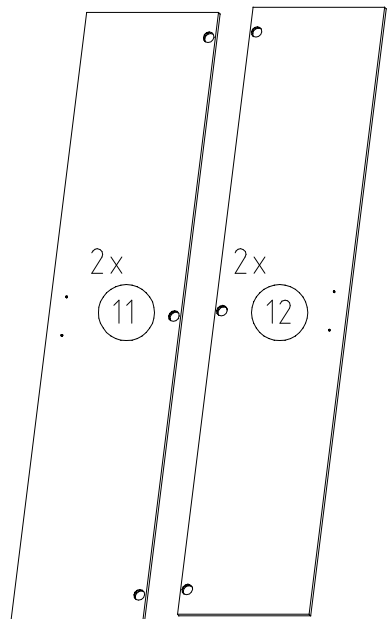
2064x560x15BB



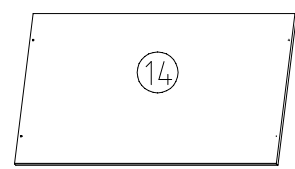
2064x560x15



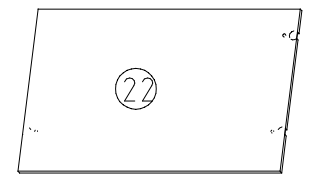
4x 837x439x15



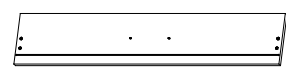
2x 2021x439x15



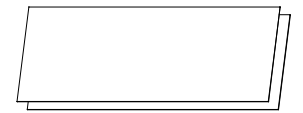
4x 873x500x15



873x540x18



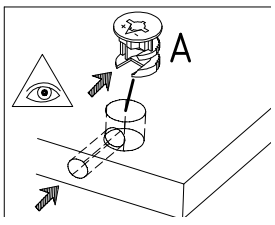
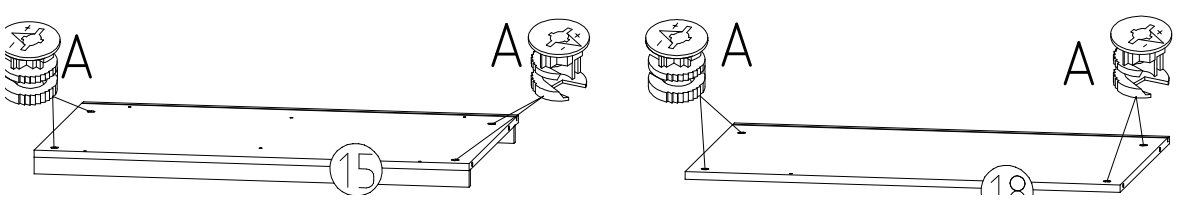
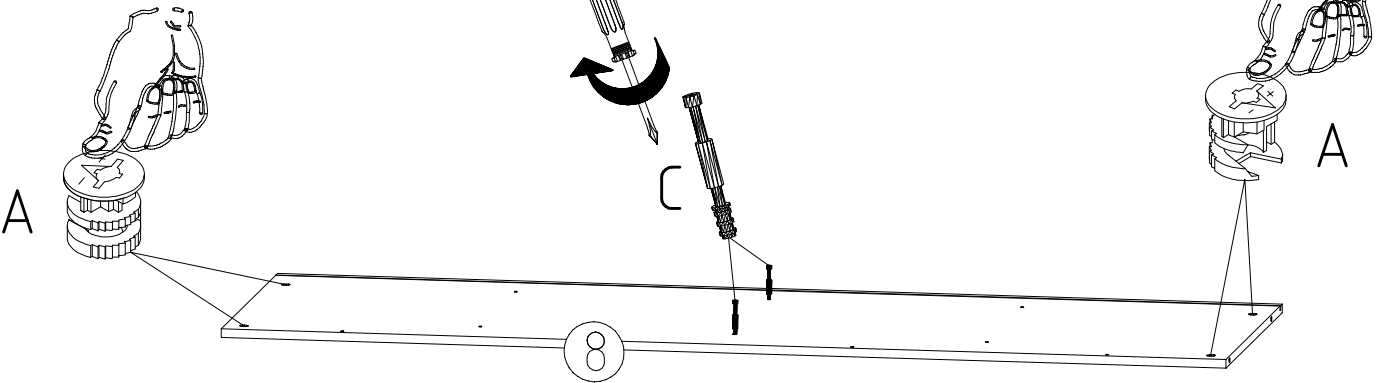
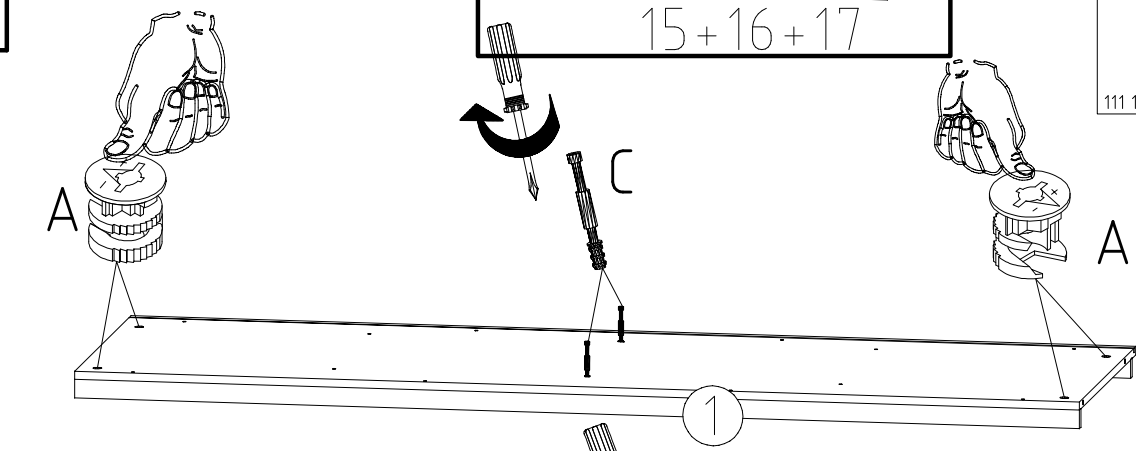
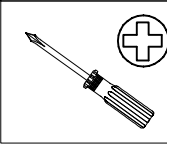
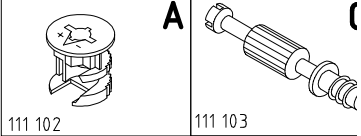
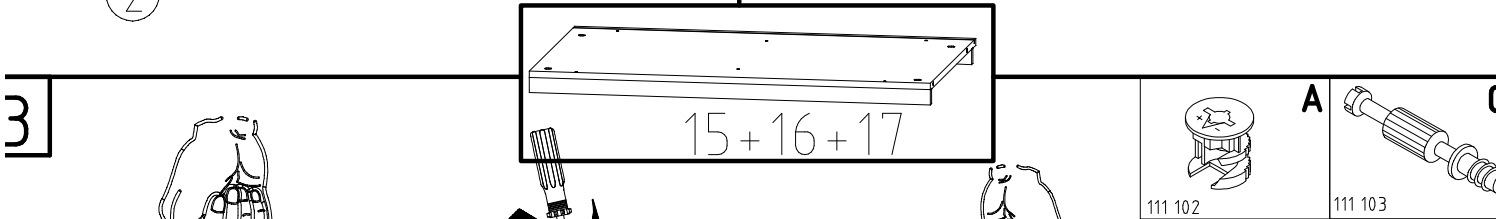
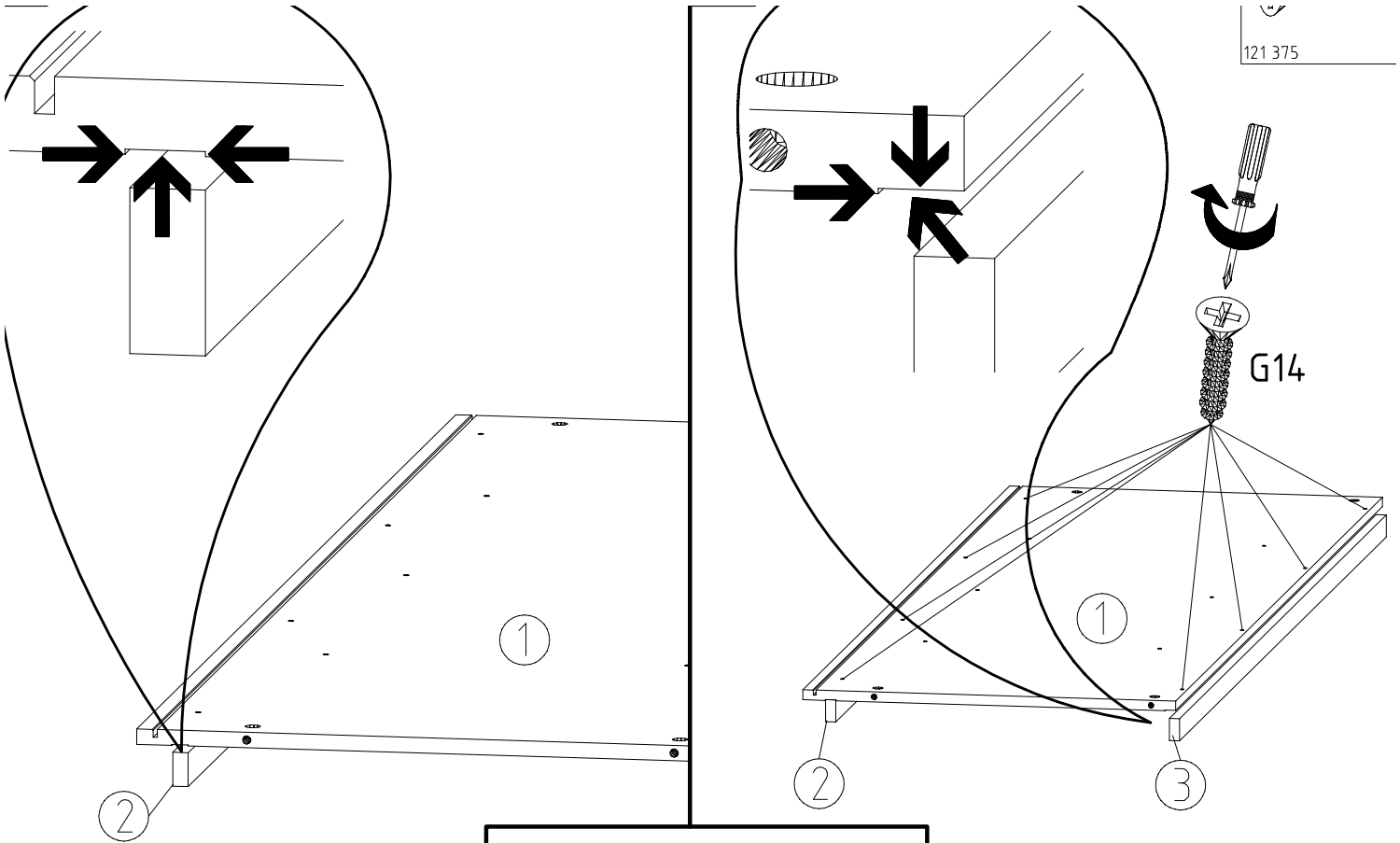
2x 883 x 168 x 15

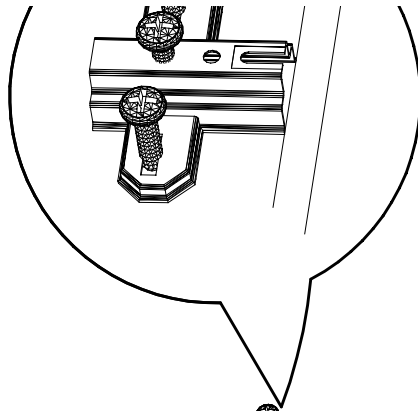
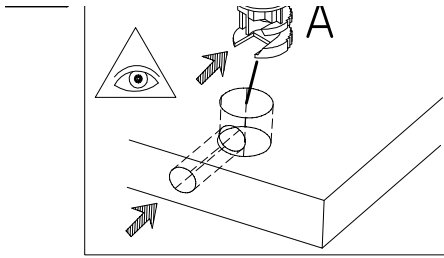


2x 852 x 439 x 2,5

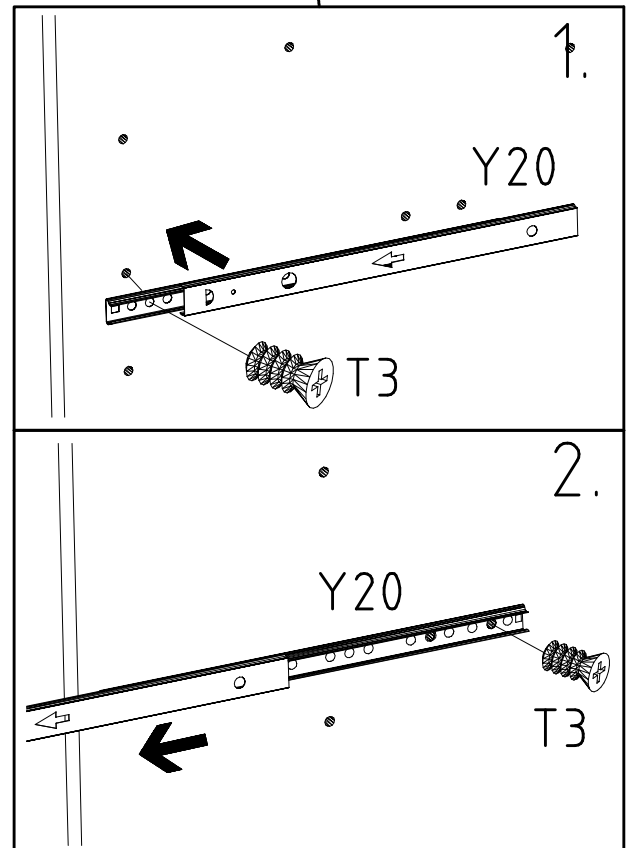
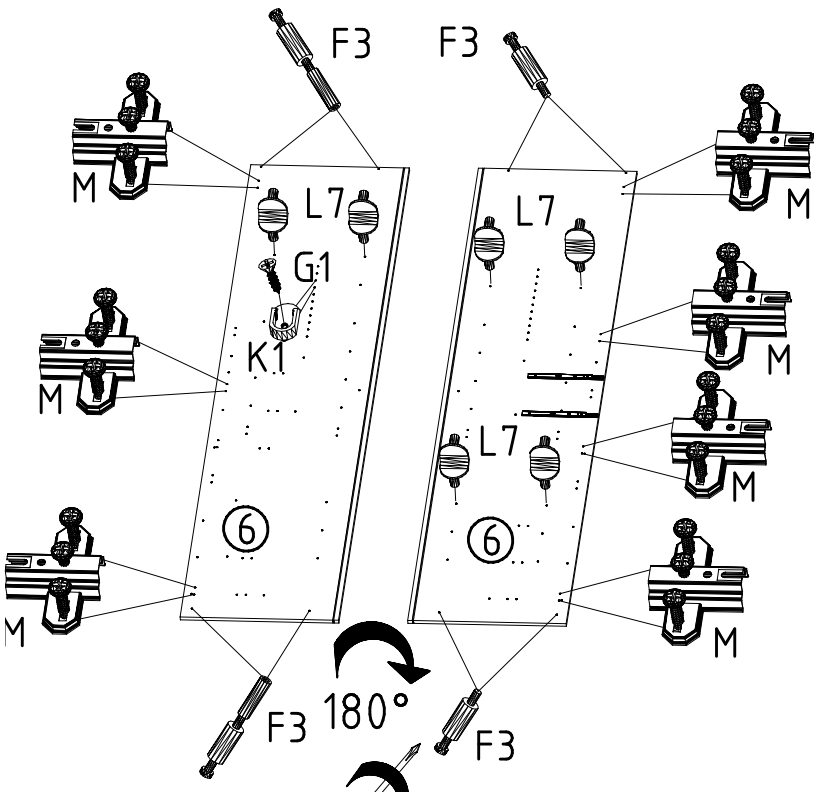
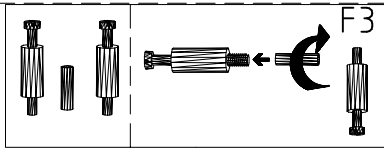
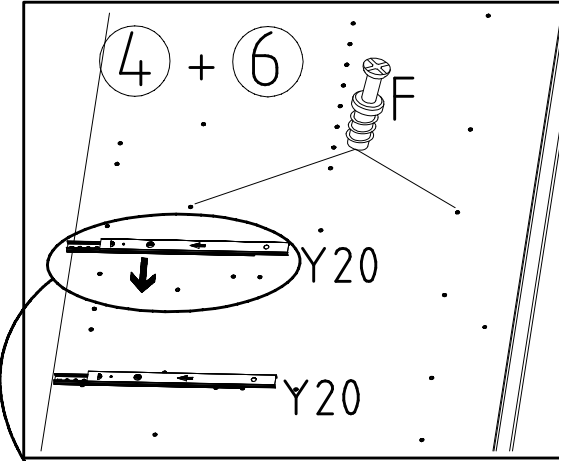
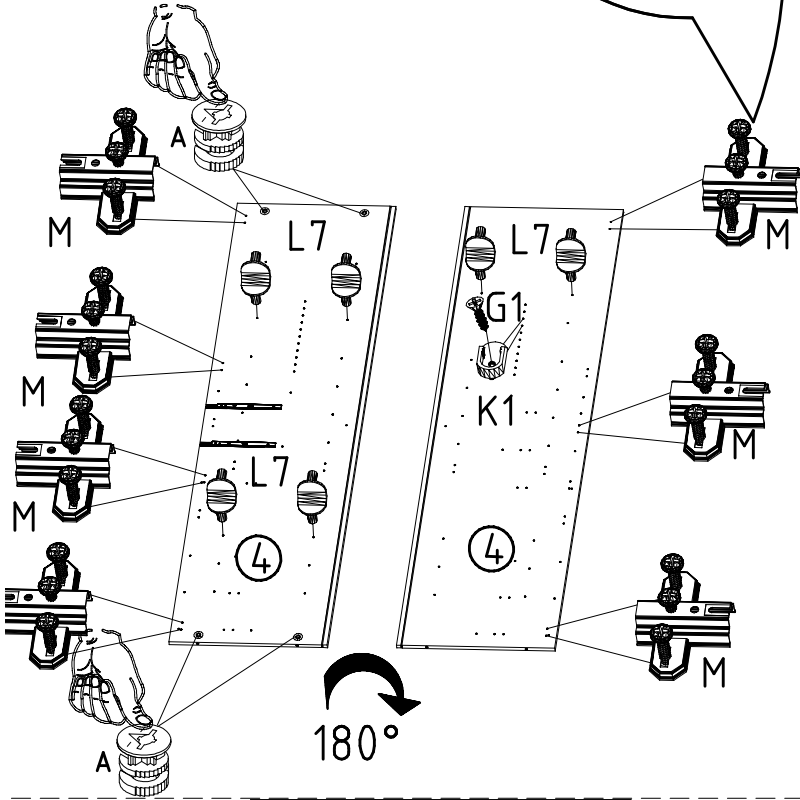


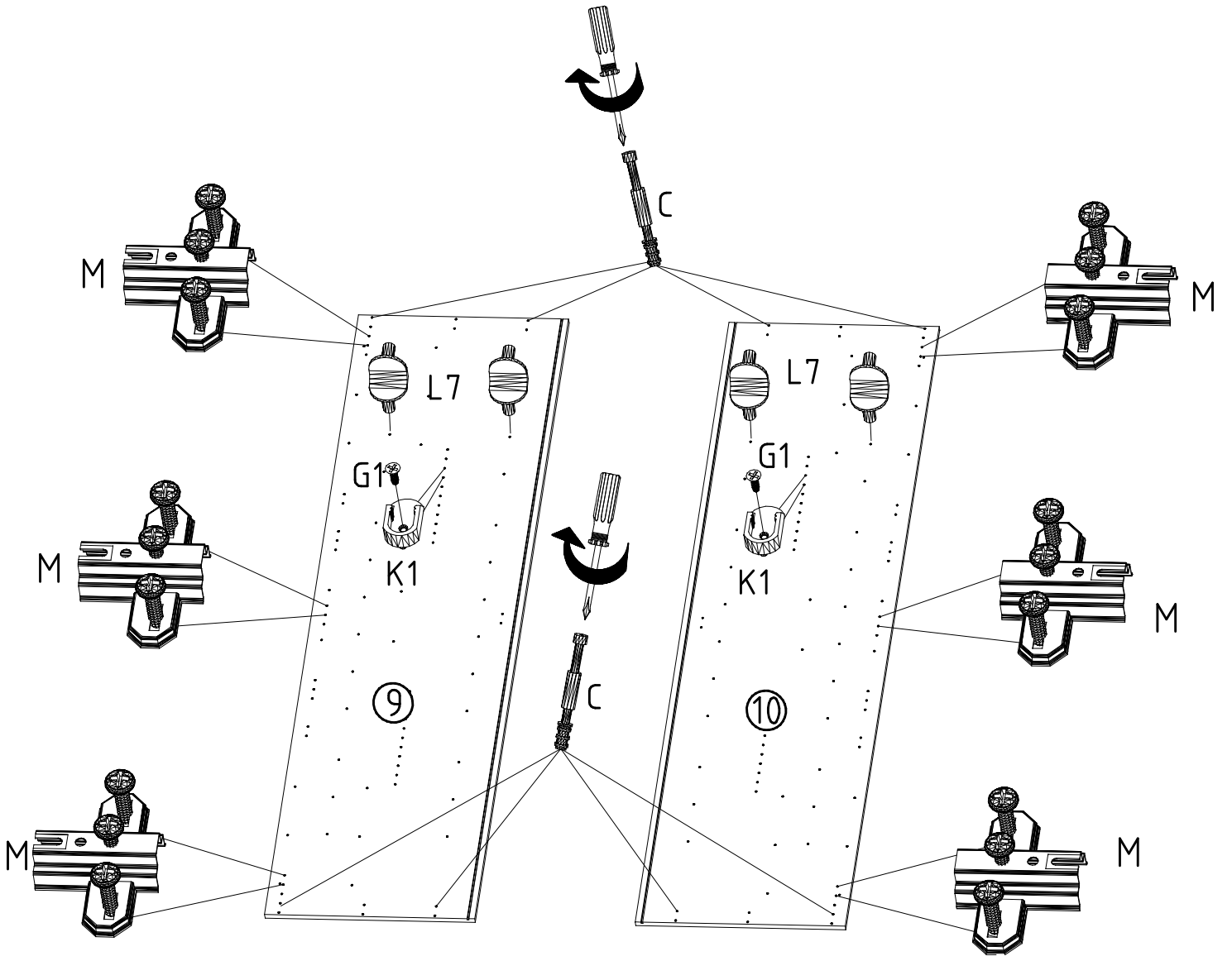
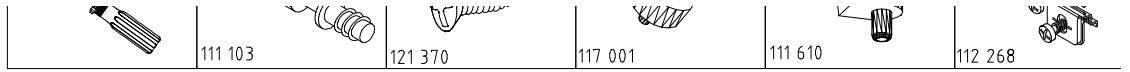
2x 439 / 866 / 439 x 92 x 12



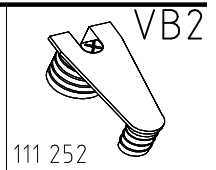
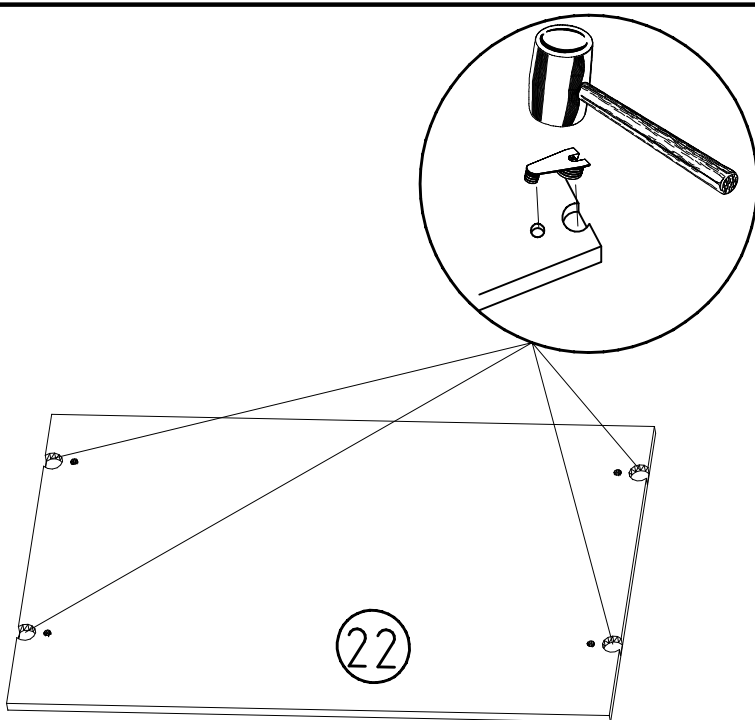


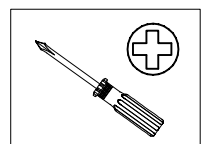
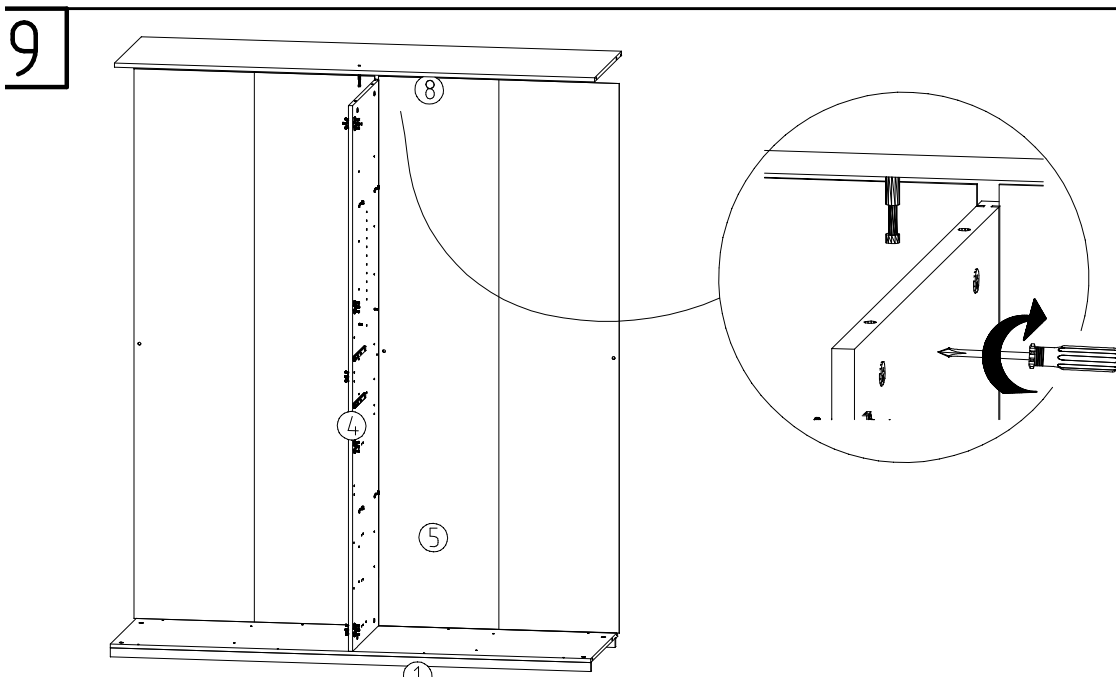
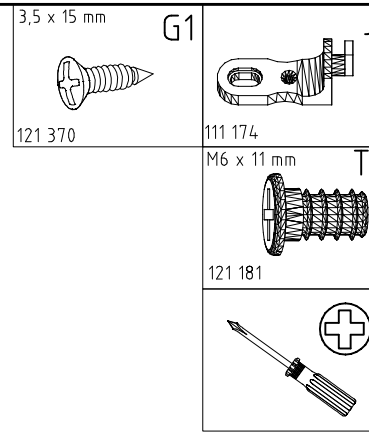
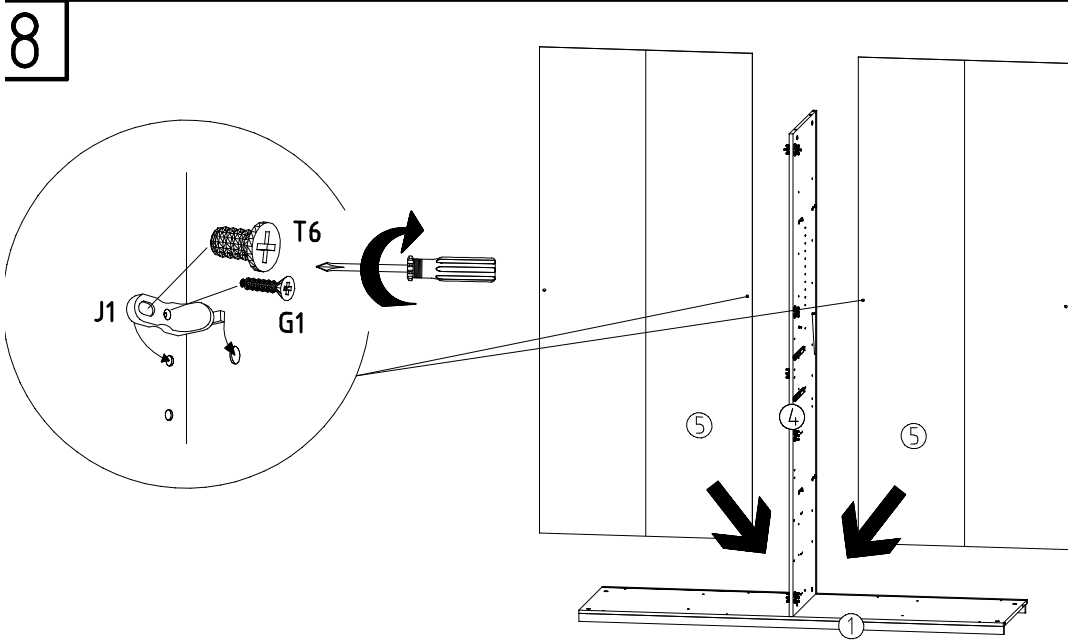
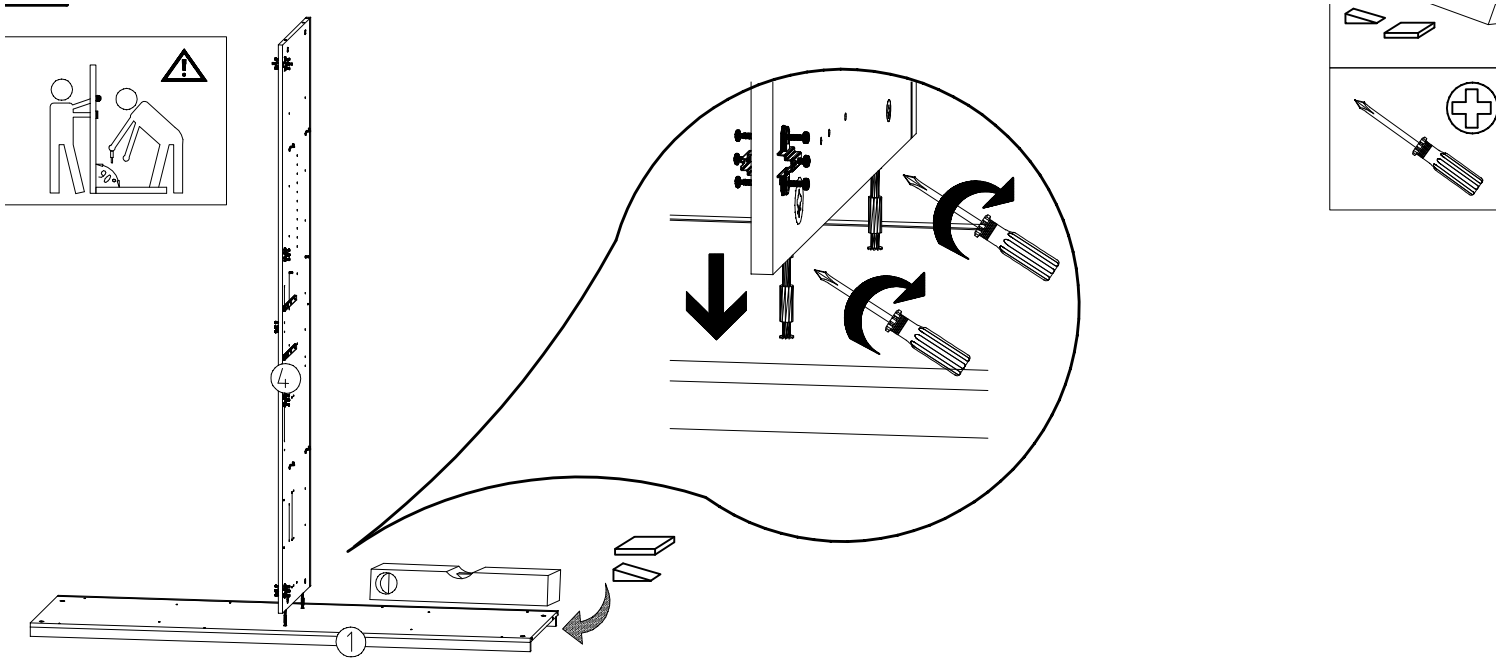
| | | | | |
|------------------------|----|---------|-----|--------------------|
| 117 001 3,5 x 15 mm | G1 | 111 610 | Y20 | 112 268 |
| 121 370 | | 112 190 | A | 111 229 M6 x 10 |
| | | 111 102 | | 112 616 |

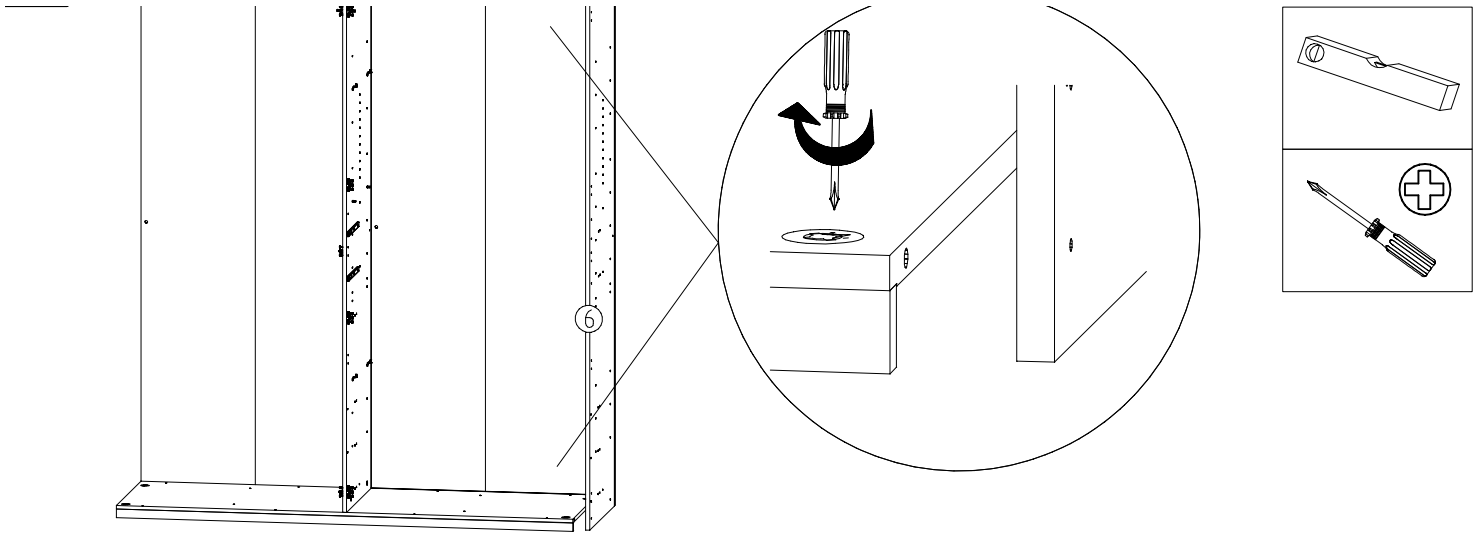




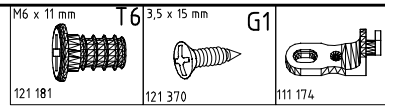
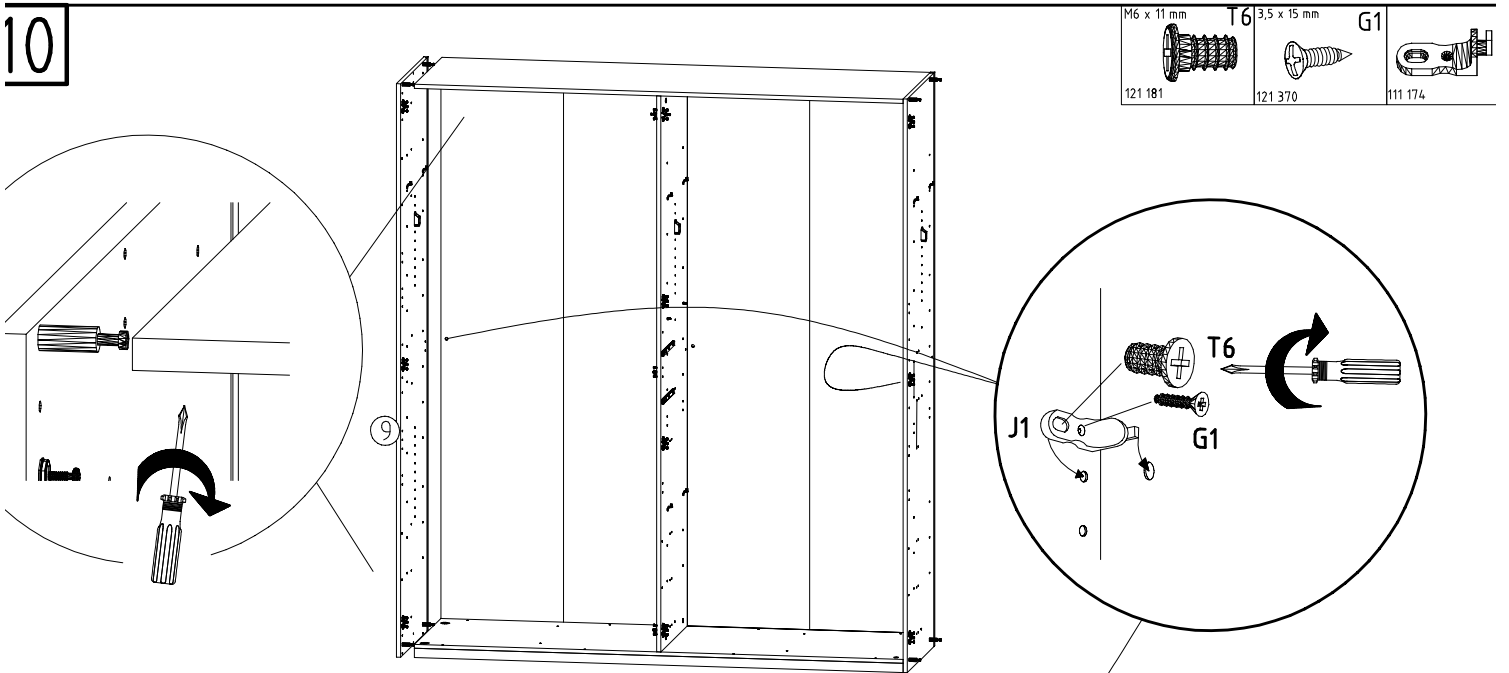
6



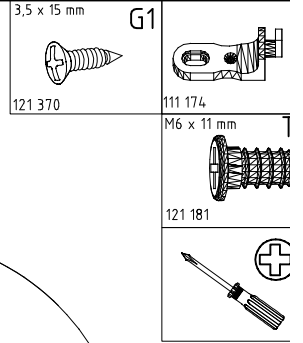
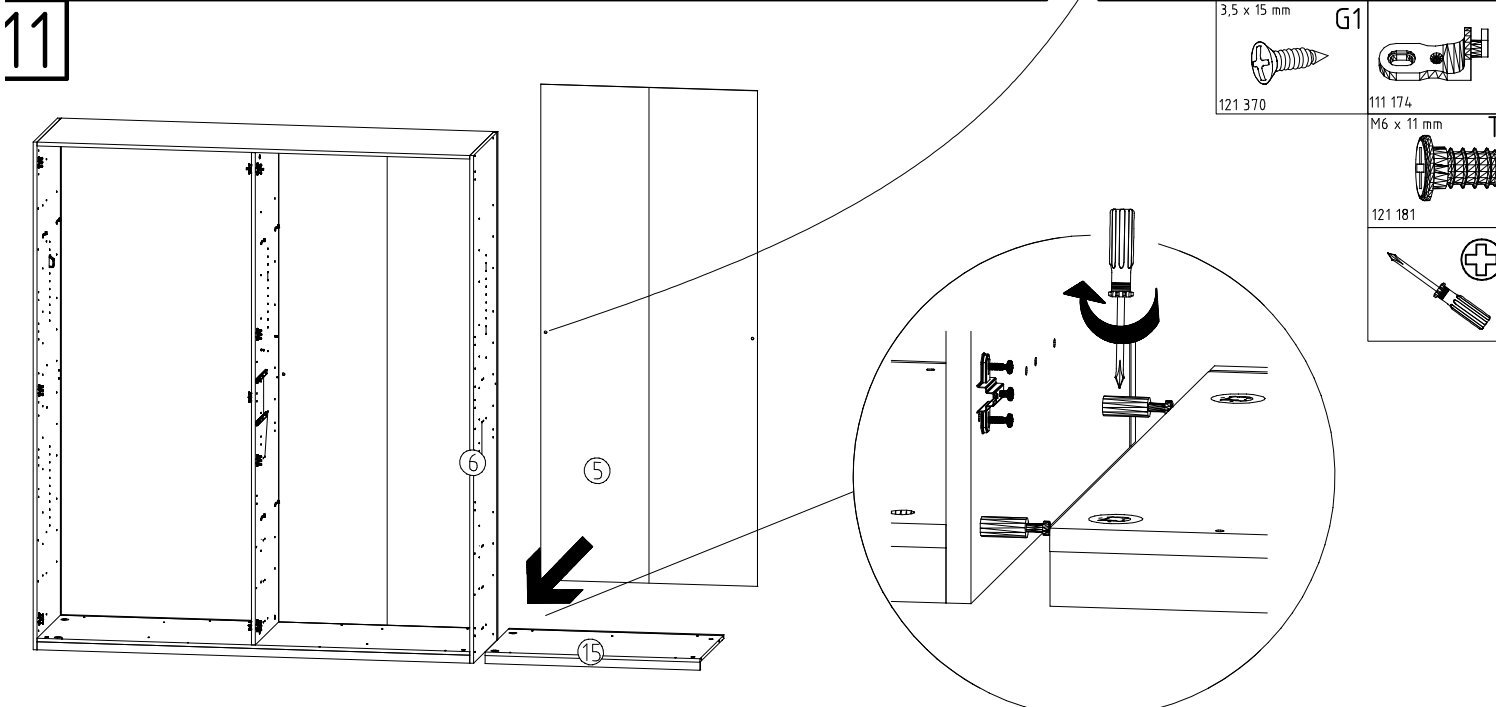


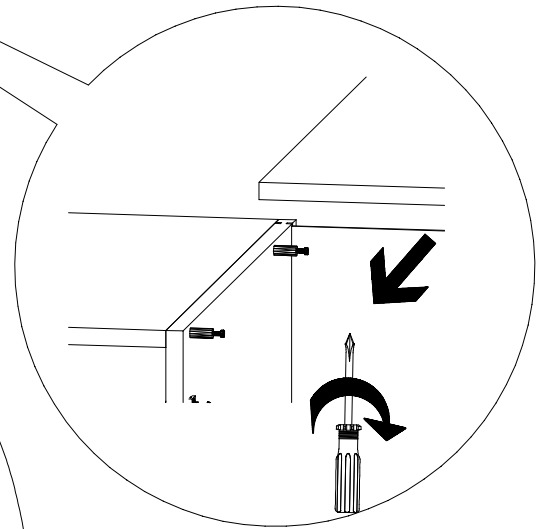
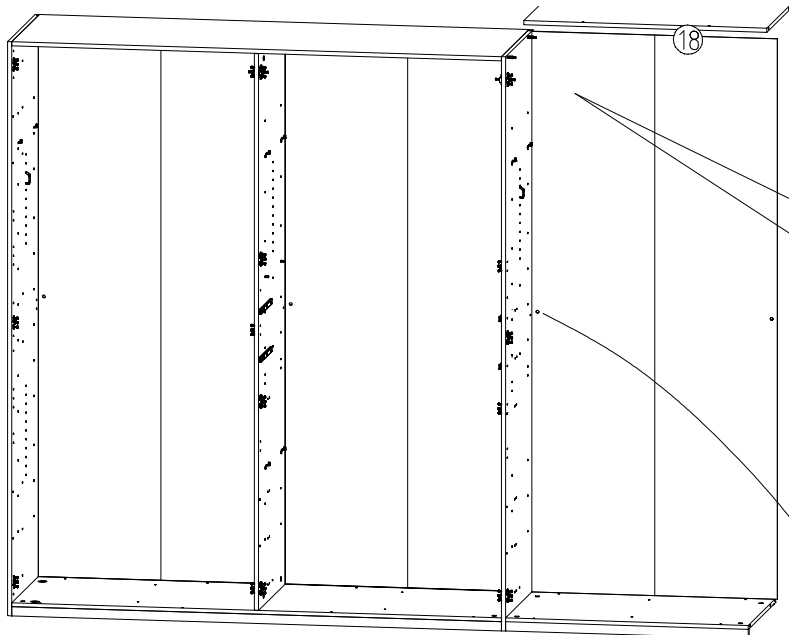


10

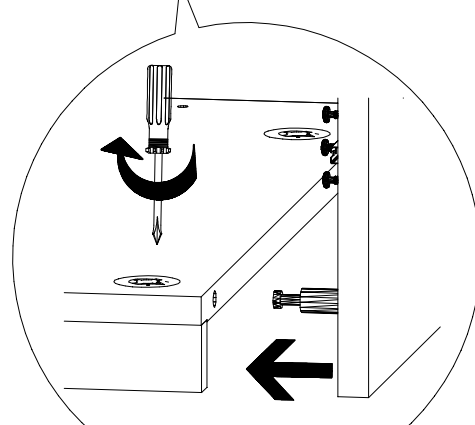
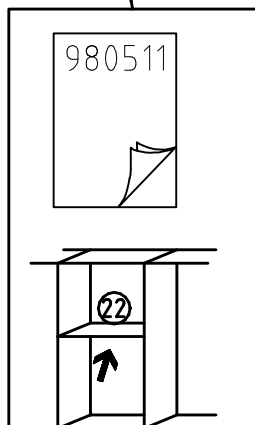
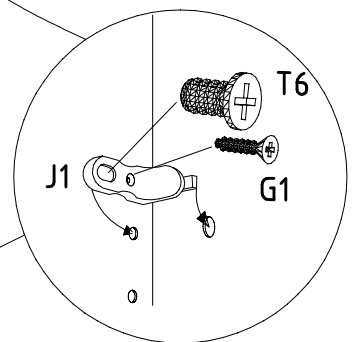
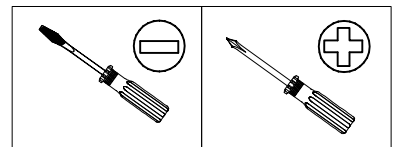
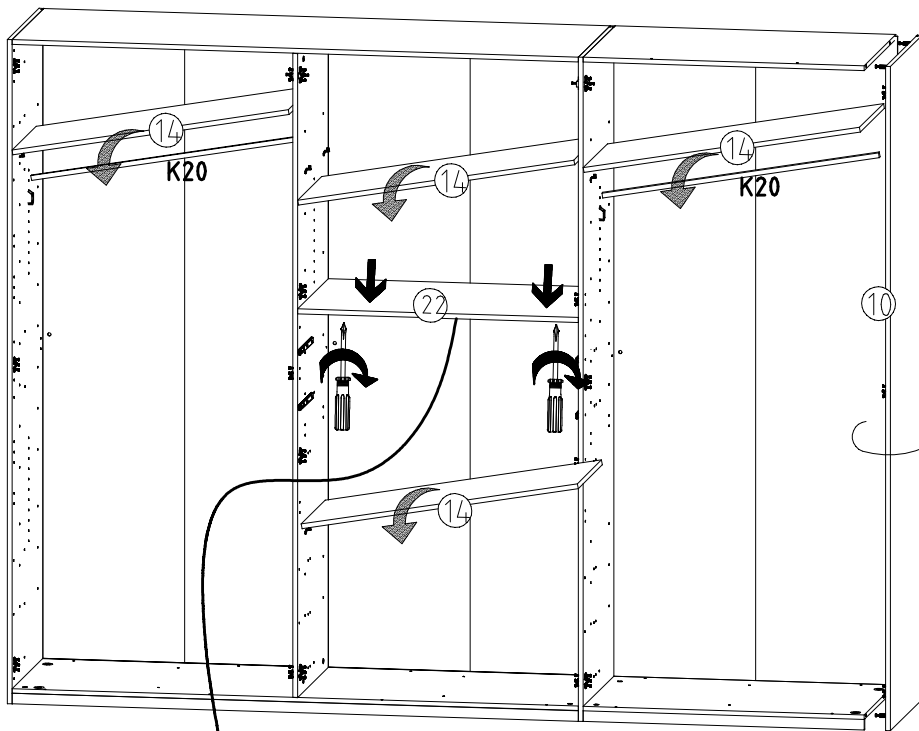


11





13



| | |
|-------------|-----|
| | K20 |
| 870mm | |
| 112 402 | |
| | J1 |
| 111 174 | |
| M6 x 11 mm | T6 |
| 121 181 | |
| 3,5 x 15 mm | G1 |
| 121 370 | |

