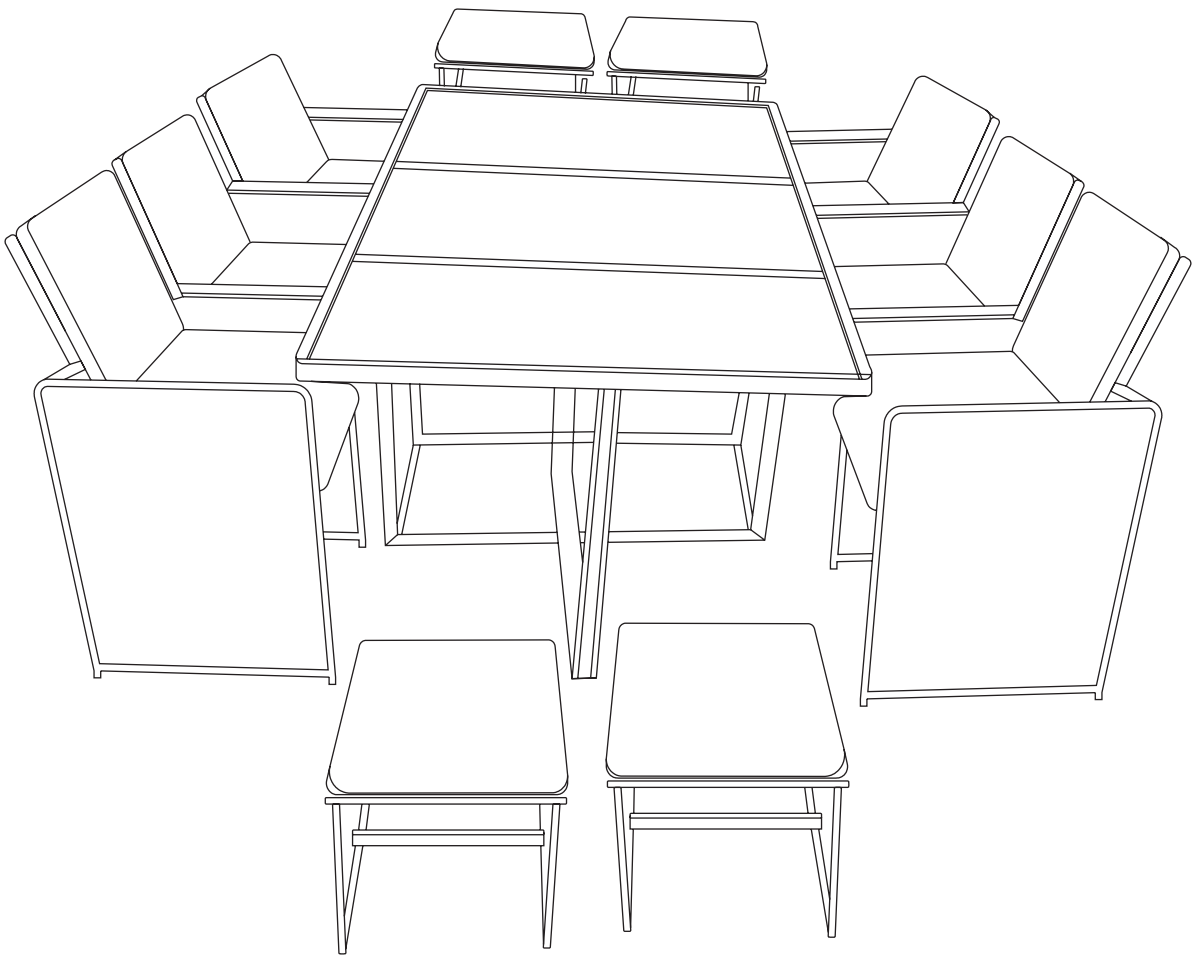
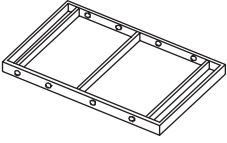
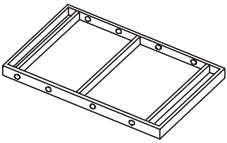
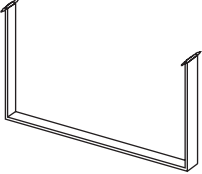
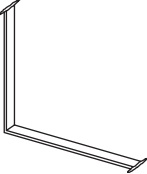

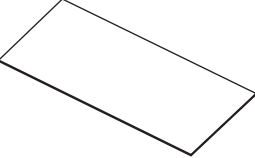
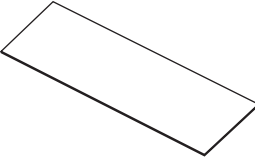


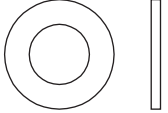
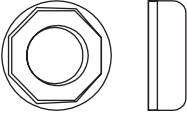
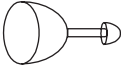


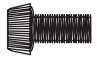


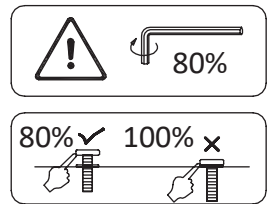
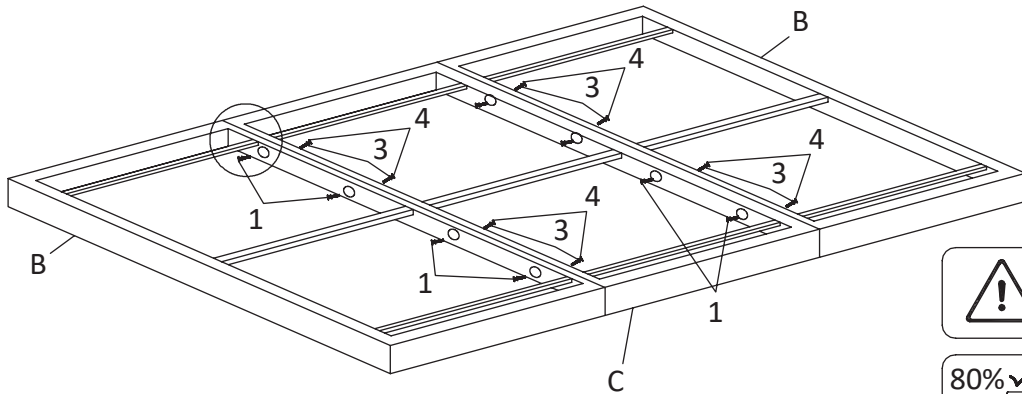
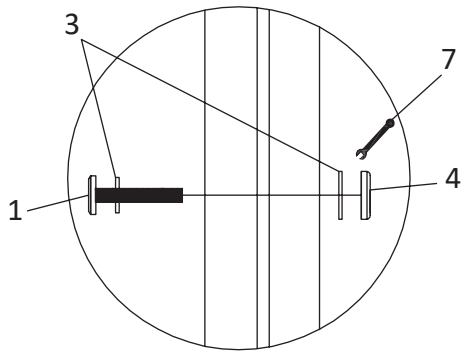
mm
inch

x2

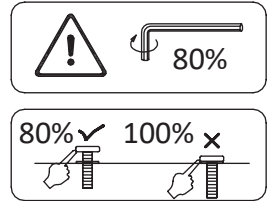
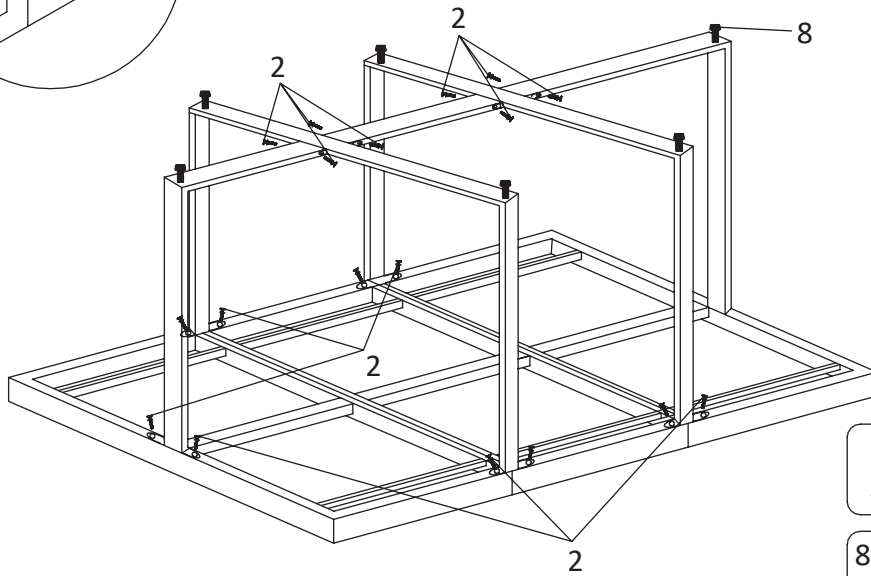
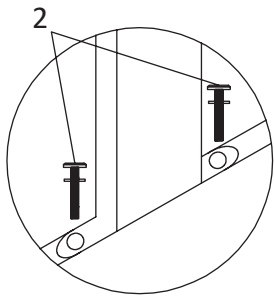


<p>A 1pc</p> 	<p>B 2pcs</p> 	<p>C 2pcs</p> 	<p>D 2pcs</p> 	<p>E 1pc</p> 
<p>F 1pc</p> 	<p>G 2pcs</p> 	<p>1 8pcs</p>  <p>M6x $\frac{35}{1.38}$</p>	<p>2 20pcs</p>  <p>M6x $\frac{15}{0.59}$</p>	<p>3 36pcs</p>  <p>M6x $\frac{16x1}{0.63x0.04}$</p>
<p>4 8pcs</p> 	<p>5 18pcs</p> 	<p>6 2pcs</p>  <p>M4</p>	<p>7 1pc</p> 	<p>8 6pcs</p> 

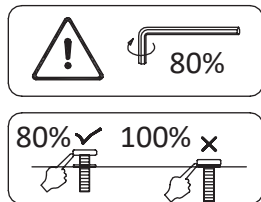
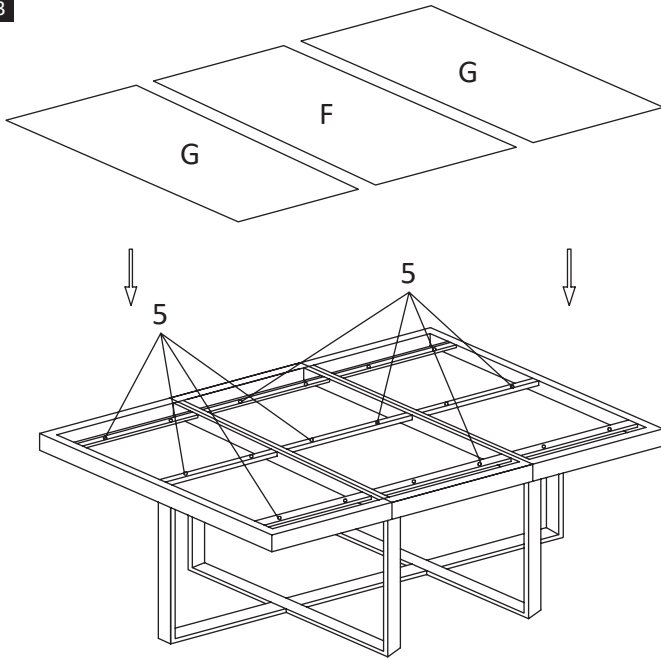
1



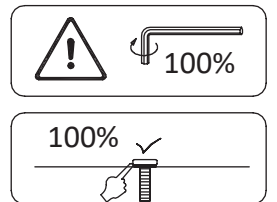
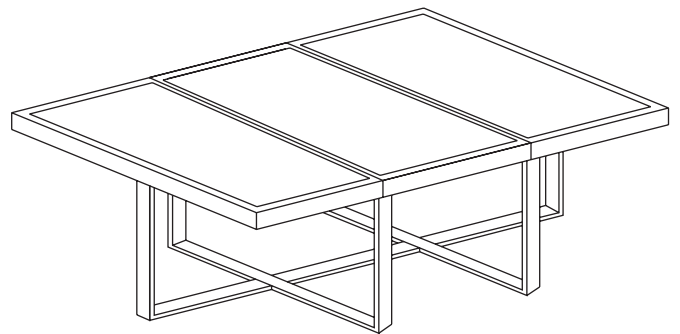
2

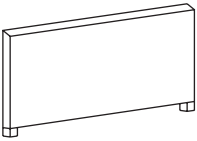
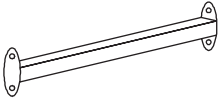
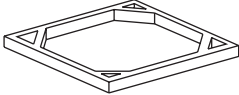
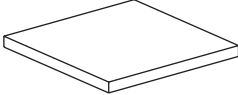


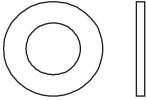



3

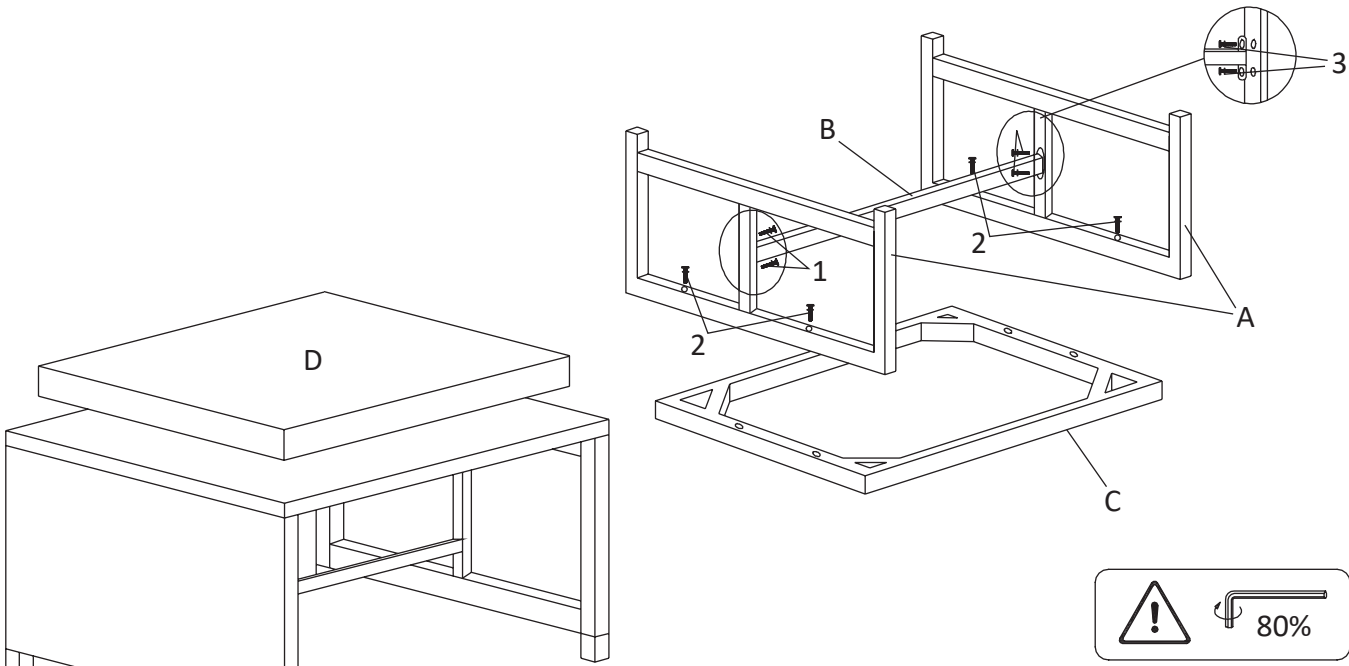



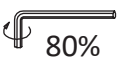
4



<p>A 2 pcs</p> 	<p>B 1 pc</p> 	<p>C 1 pc</p> 	<p>D 1 pc</p> 
<p>1 4 pcs</p>  <p>M6x $\frac{15}{0.59}$</p>	<p>2 4 pcs</p>  <p>M6x $\frac{25}{0.98}$</p>	<p>3 8 pcs</p>  <p>M6x $\frac{16 \times 1}{0.63 \times 0.04}$</p>	<p>4 2 pcs</p>  <p>M4</p>



1



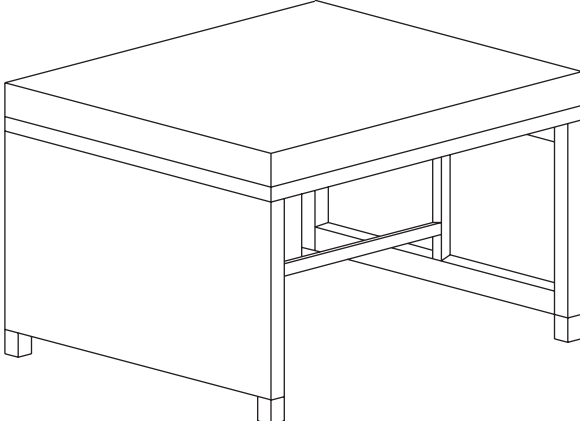




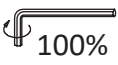
80%

80% ✓ 100% ✗


2

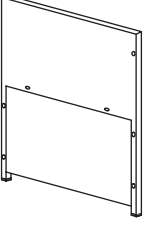
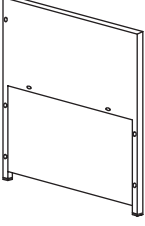
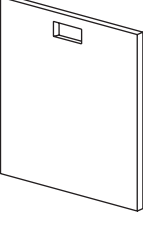
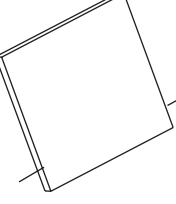
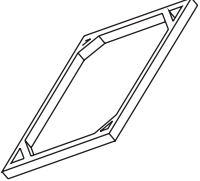
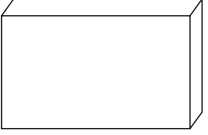





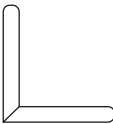



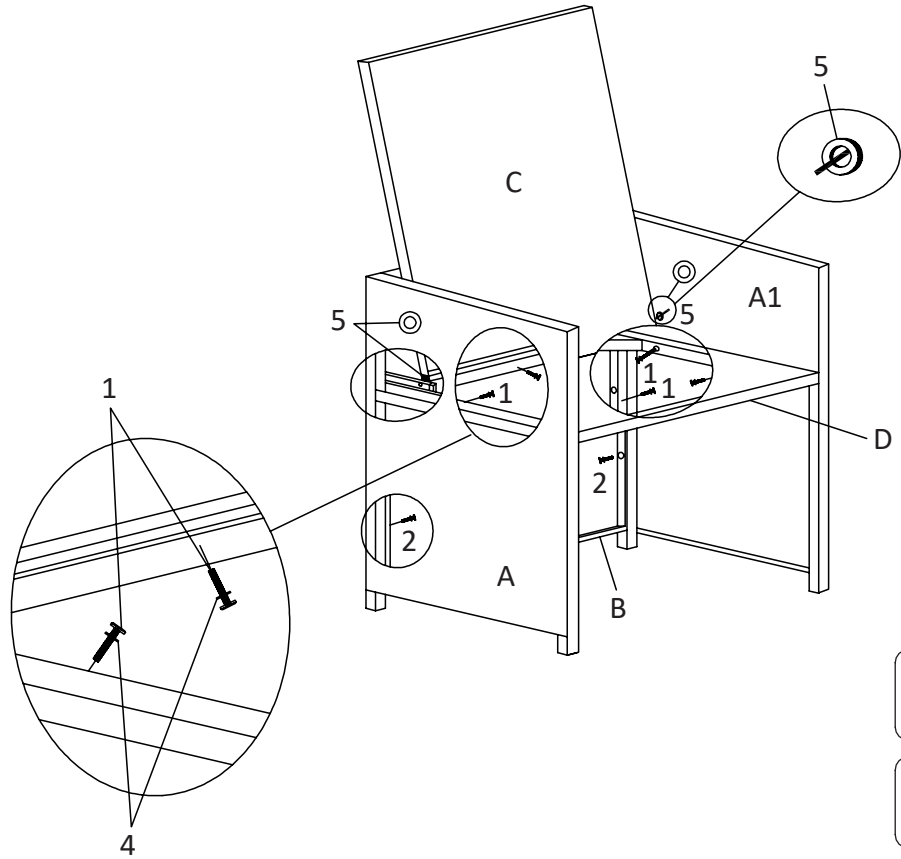
100%


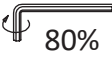
100%





<p>A 1pc</p> 	<p>A1 1pc</p> 	<p>B 1pc</p> 	<p>C 1pc</p> 	<p>D 1pc</p> 
<p>E 2pcs</p> 	<p>1 5pcs</p>  <p>M6x $\frac{35}{1.38}$</p>	<p>2 4pcs</p>  <p>M6x $\frac{25}{0.98}$</p>	<p>3 4pcs</p>  <p>M6x $\frac{15}{0.59}$</p>	<p>4 13pcs</p>  <p>M6x $\frac{16x1}{0.63x0.04}$</p>
<p>5 2pcs</p>  <p>M6x $\frac{16x5}{0.63x0.20}$</p>	<p>6 2pcs</p> 	<p>7 2pcs</p>  <p>M4</p>		

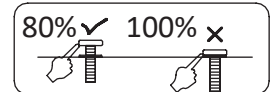
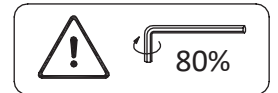
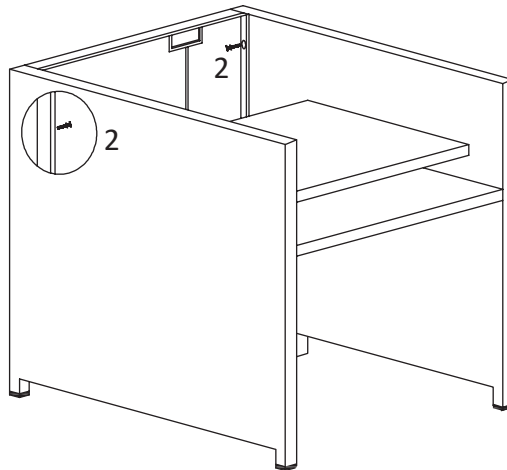
1



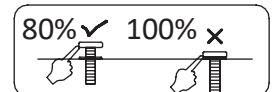
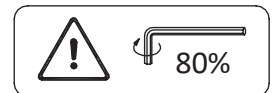
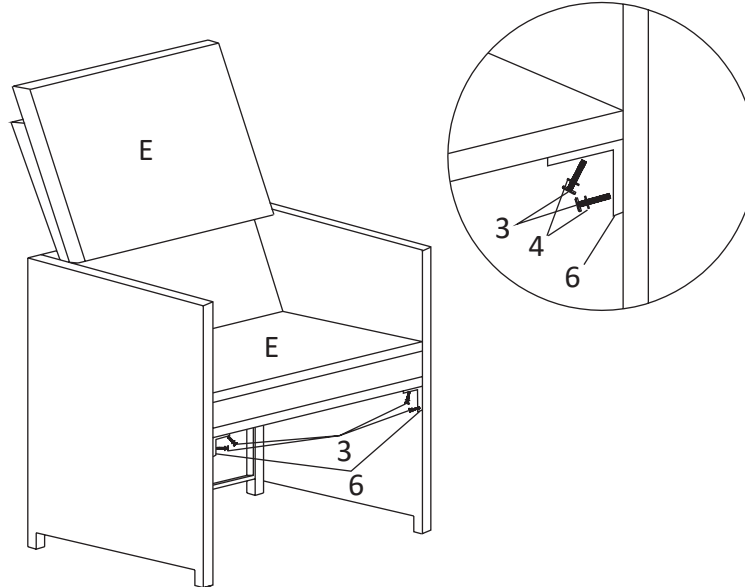

 80%

80%  100% 

2



3



4

