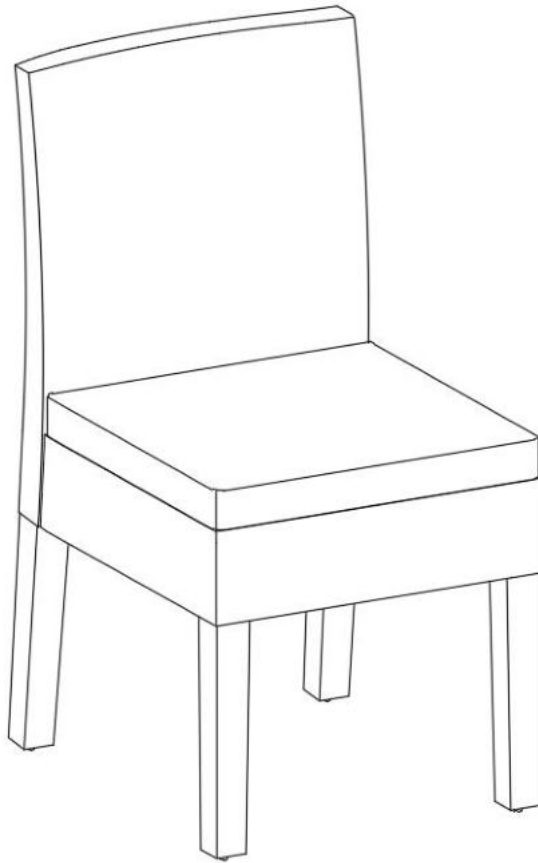


Instruction Manual

Rattan Chair



CONTENTS

Safety and care advice	1
Components	2
Assembly instructions	4

⚠ SAFETY AND CARE ADVICE ⚠

PLEASE READ THESE INSTRUCTIONS CAREFULLY AND KEEP FOR FUTURE REFERENCE

- **Warning:** Please lift with care.
- Check you have all the components and tools listed on pages 2 and 3.
- Remove all fittings from the plastic bags and separate them into their groups.
- Keep children and animals away from the work area, small parts could choke if swallowed.
- Make sure you have enough space to lay out the parts before starting.
- Do not stand or put weight on the product, this could cause damage.
- Assemble the item as close to its final position (in the same room) as possible.
- Assemble on a soft level surface to avoid damaging the unit or your floor (use opened out unit carton).



- We do not recommend the use of power drill/drivers **for inserting screws**, as this could damage the unit. Only use hand screwdrivers.
- Dispose of all packaging carefully and responsibly.

CARE AND MAINTENANCE

- Only clean using a damp cloth and mild detergent, do not use bleach or abrasive cleaners.
- From time to time check that there are no loose screws on this unit.
- This product should not be discarded with household waste. Take to your local authority waste disposal center.

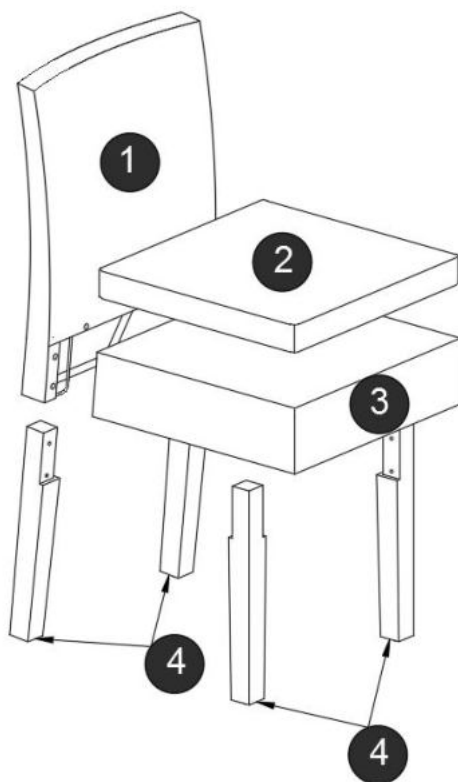
Note *If required the next page can be cut out and used as reference throughout the assembly. Keep this page with these instructions for future reference.*

COMPONENTS

Please check you have all the panels listed below:



**1PERSON
ASSEMBLY
RECOMMENDED**



1 Backrest	x1
2 Seat cushion	x1
3 Seat frame	x1
4 Legs	x4



COMPONENTS

Please check you have all the fittings listed below:



Bolt M6x30 (6 pcs)



Screw M6x25 (8 pcs)



Flat Washer (6 pcs)

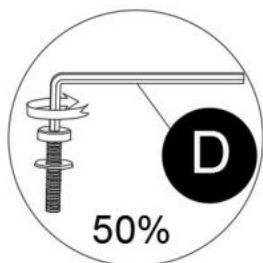





Allen Key (1 pc)

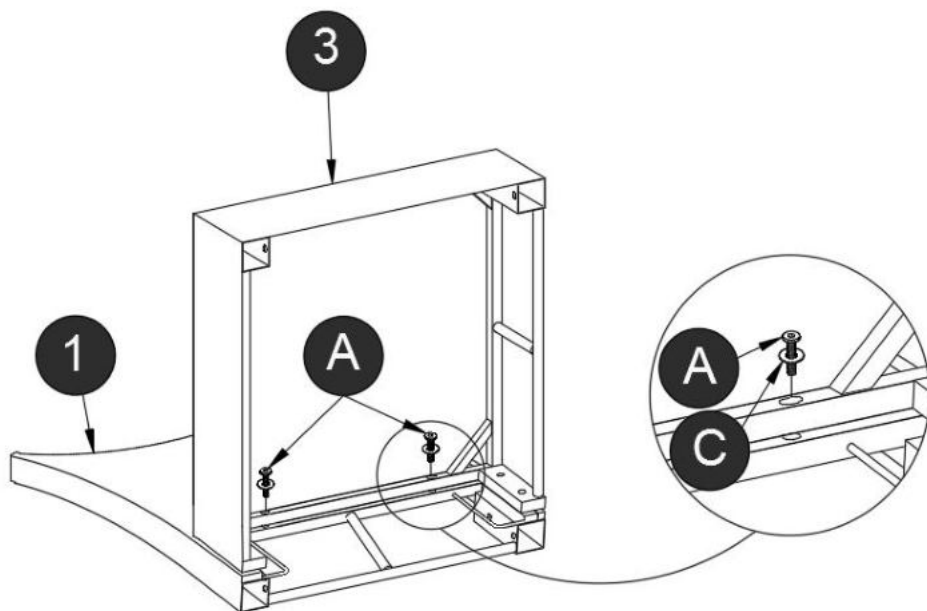


ASSEMBLY INSTRUCTIONS

Step 1



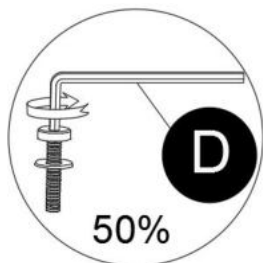
A		2	
C		2	
D		1	






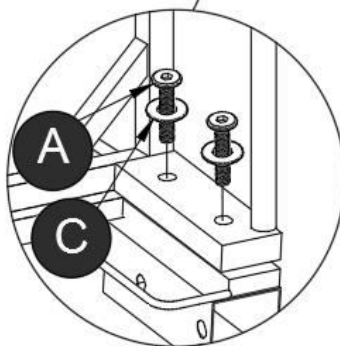
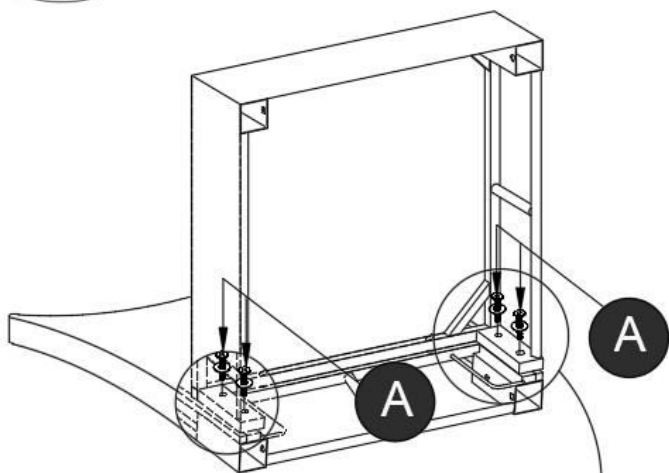
x2

ASSEMBLY INSTRUCTIONS

Step 2



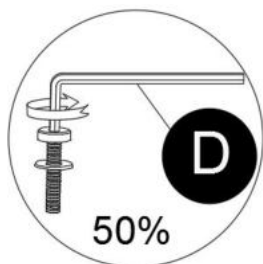
A		4
C		4
D		1





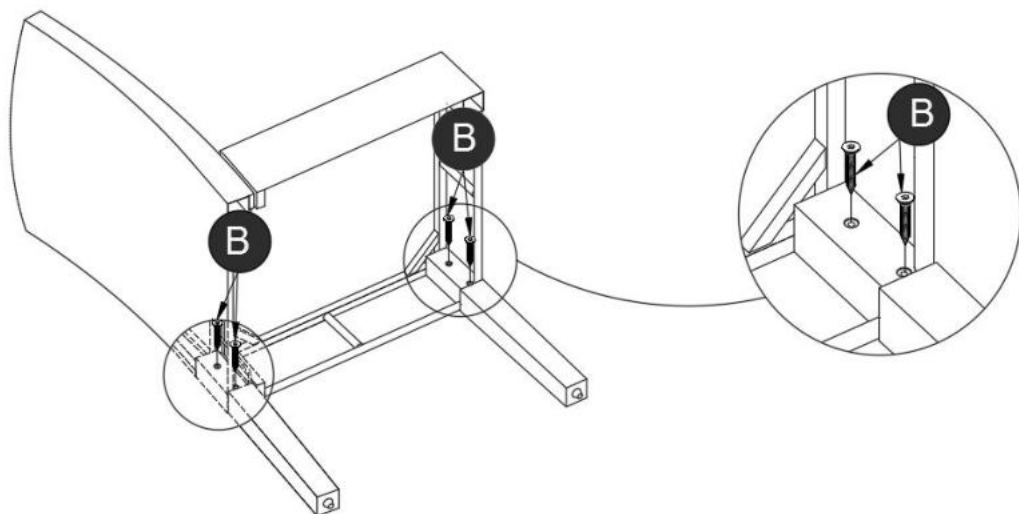
x2

ASSEMBLY INSTRUCTIONS

Step 3



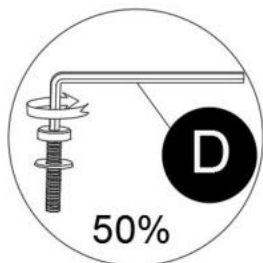
B		4	
D		4	





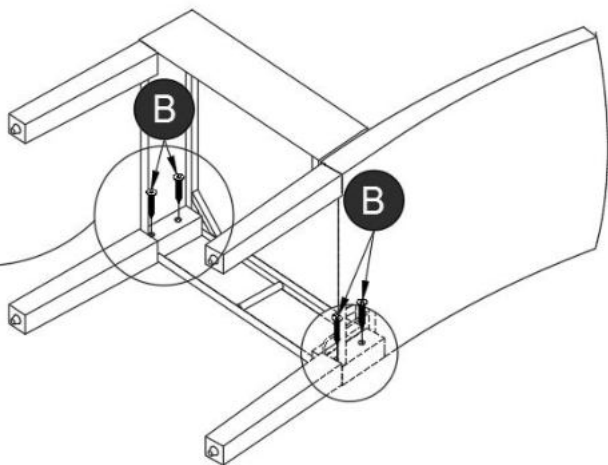
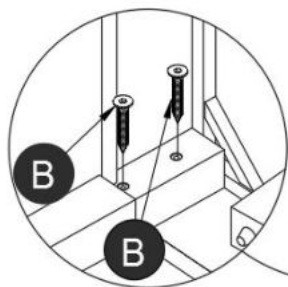
x2

ASSEMBLY INSTRUCTIONS

Step 4



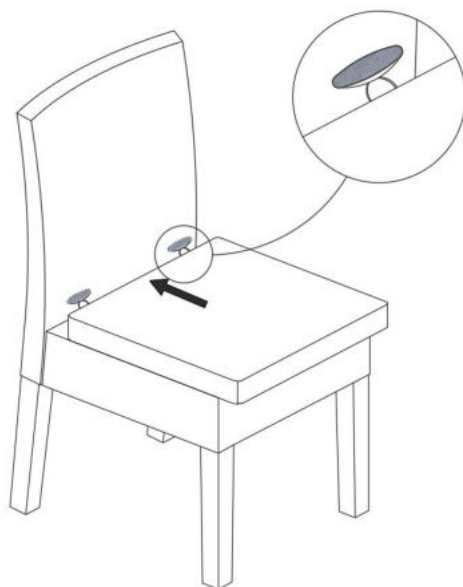
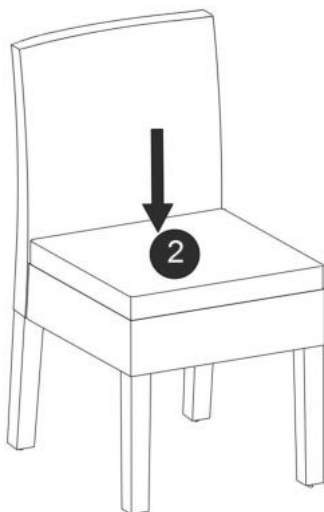
B		4	
D		1	



x2

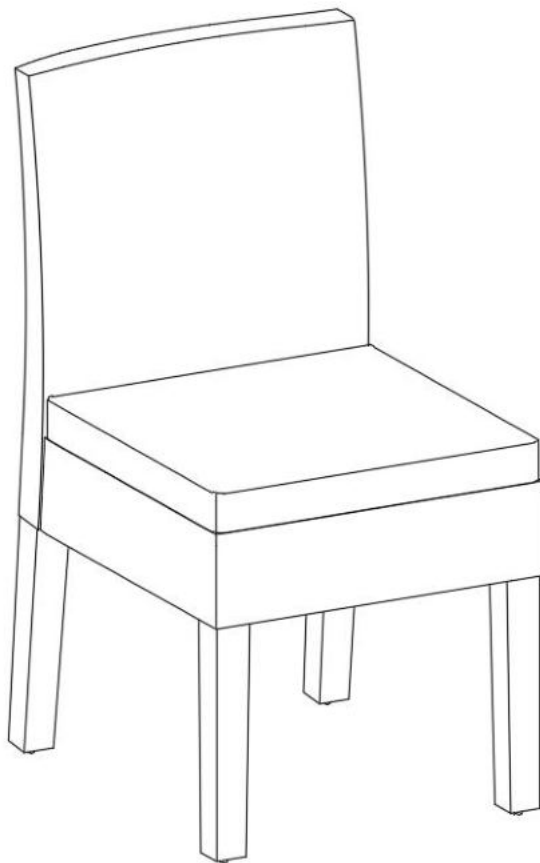
ASSEMBLY INSTRUCTIONS

Step 5



x2

ASSEMBLY INSTRUCTIONS



Congratulations! Now you have finished assembling the product.