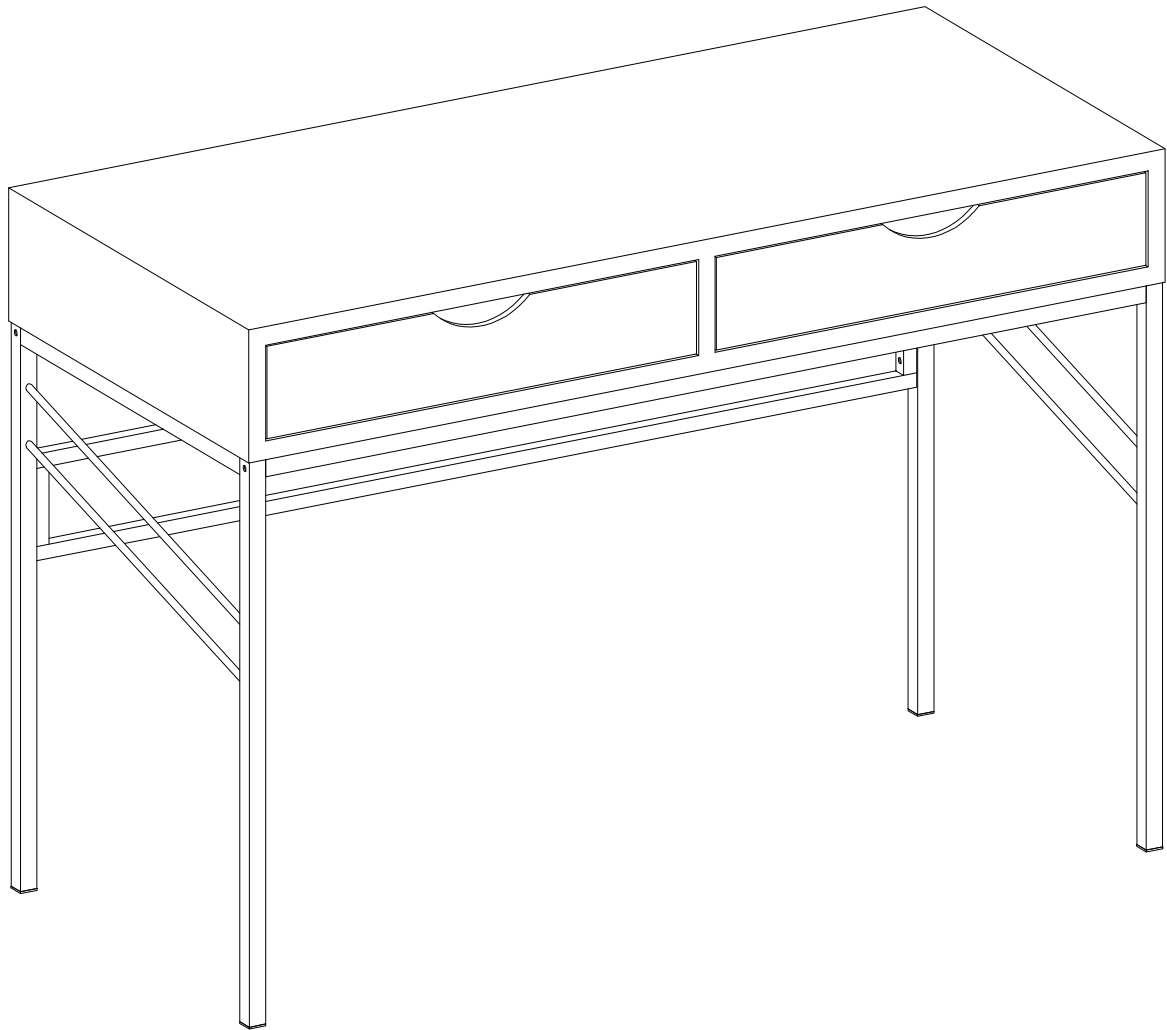
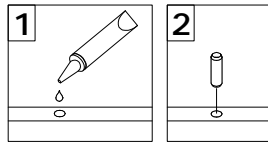


Assembly Instructions

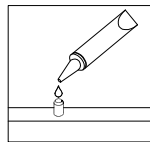


General Assembly Guidelines

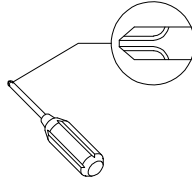
- I. Ensure that all parts and hardware are available before beginning assembly.
- II. Follow each step carefully to ensure the proper assembly of this product.
- III. Two people are recommended for ease in the assembly of this product.
- IV. The three main types of hardware used to assemble this product are : wood dowels , screws and bolts.
- V. The provided glue is to secure wood dowels in place . When first inserting dowels , locate the appropriate hole for the dowel , place a small amount of glue in the hole and insert the dowel . Wipe away excess glue immediately.



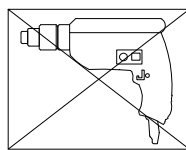
In future assembly steps when dowels are necessary to attach assembly parts together , place a small amount of glue on the end of the dowel before attaching parts together . Wipe away excess glue immediately.



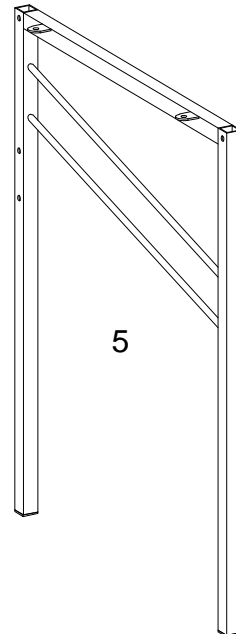
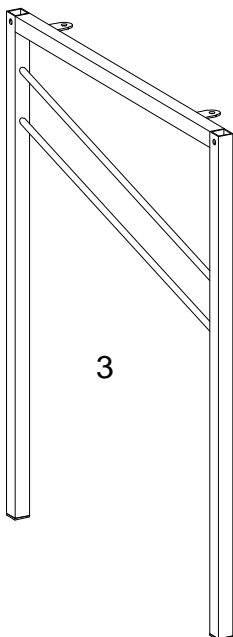
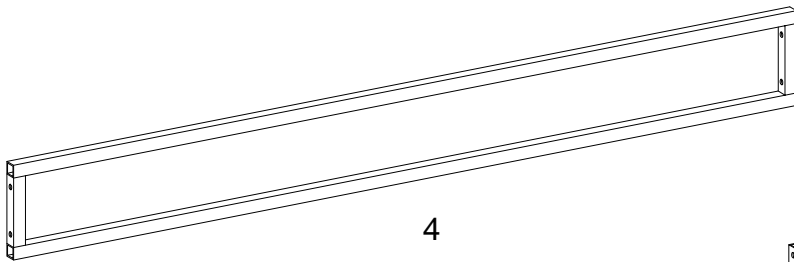
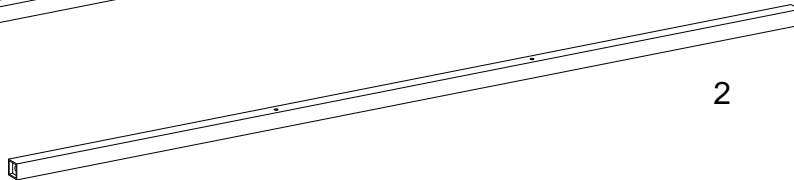
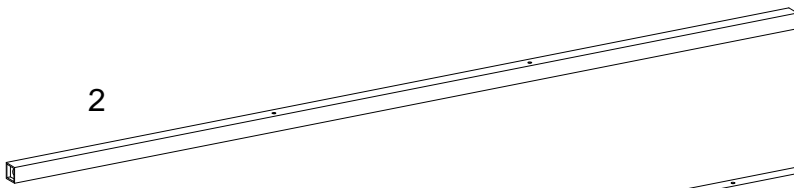
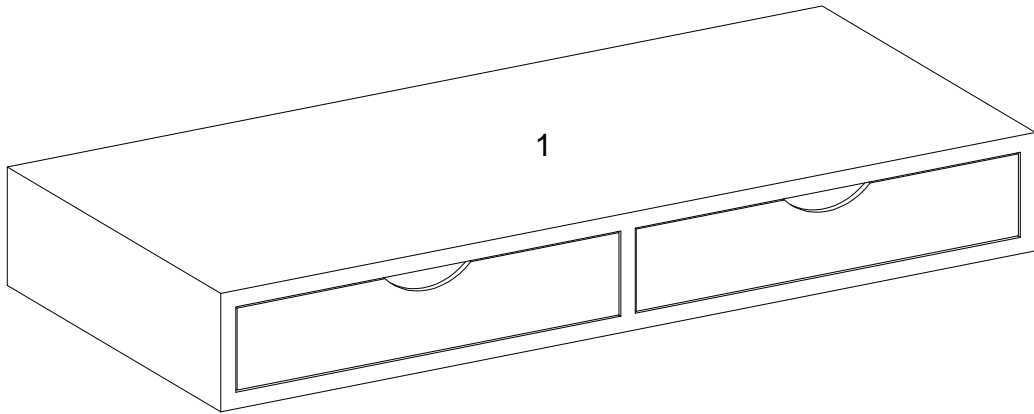
- VI. A Phillips head screwdriver is required for the assembly of this product .









- VII. Power tools should not be used to assemble this product .

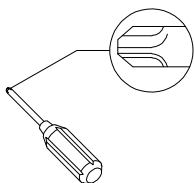


Parts List



Hardware List

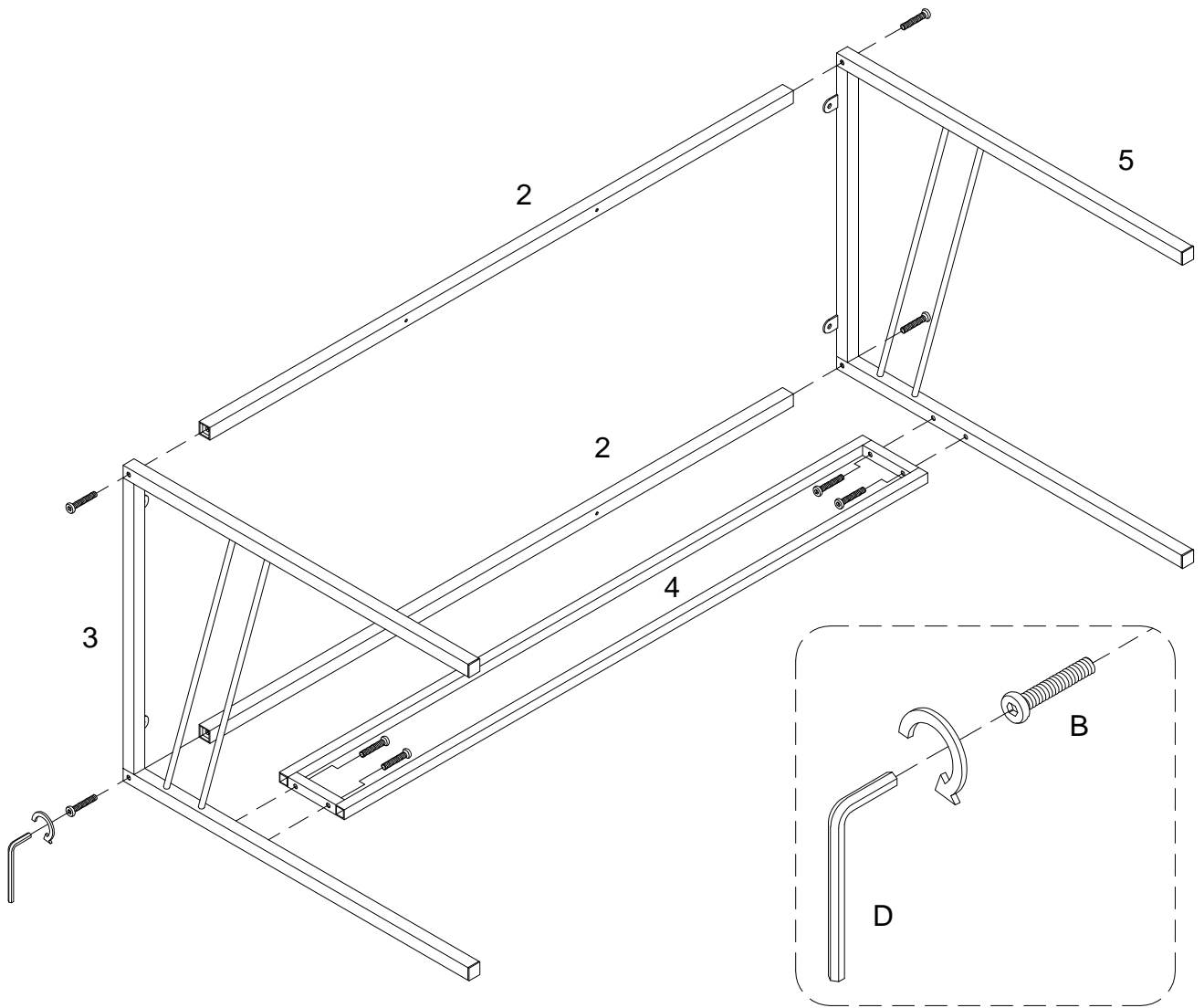
A		Ø6x19mm	Bolt	4	pcs
B		Ø6x33mm	Bolt	8	pcs
C			Flat washer	4	pcs
D		M 4	Hex key	1	pc
E		Ø4x30mm	Screw	4	pcs
F			Lock washer	4	pcs



Philips head screwdriver required for assembly
(not included)

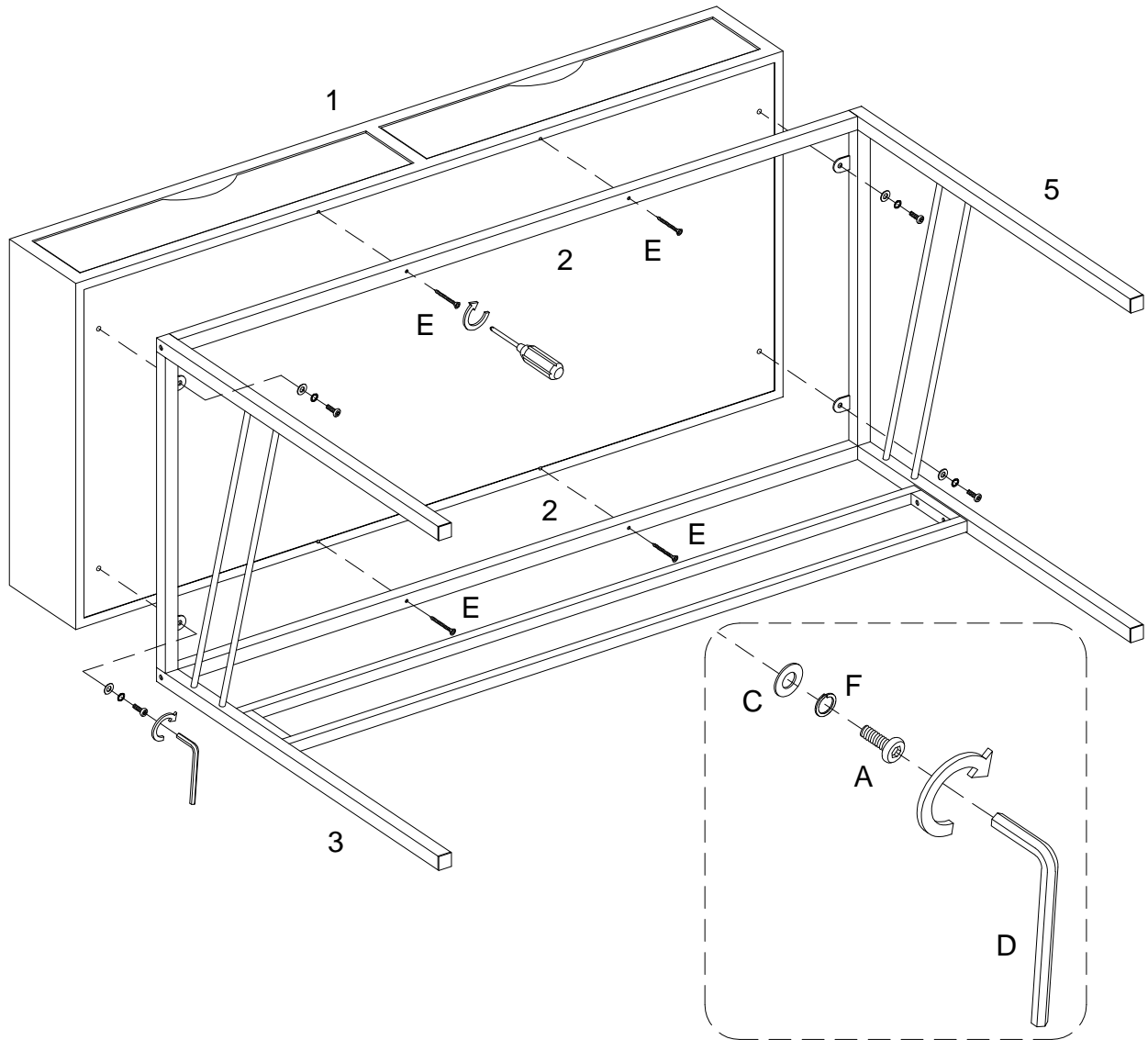
*The hardware quantities listed above are required for proper assembly.
Some extra hardware may also have been included.*

Step 1



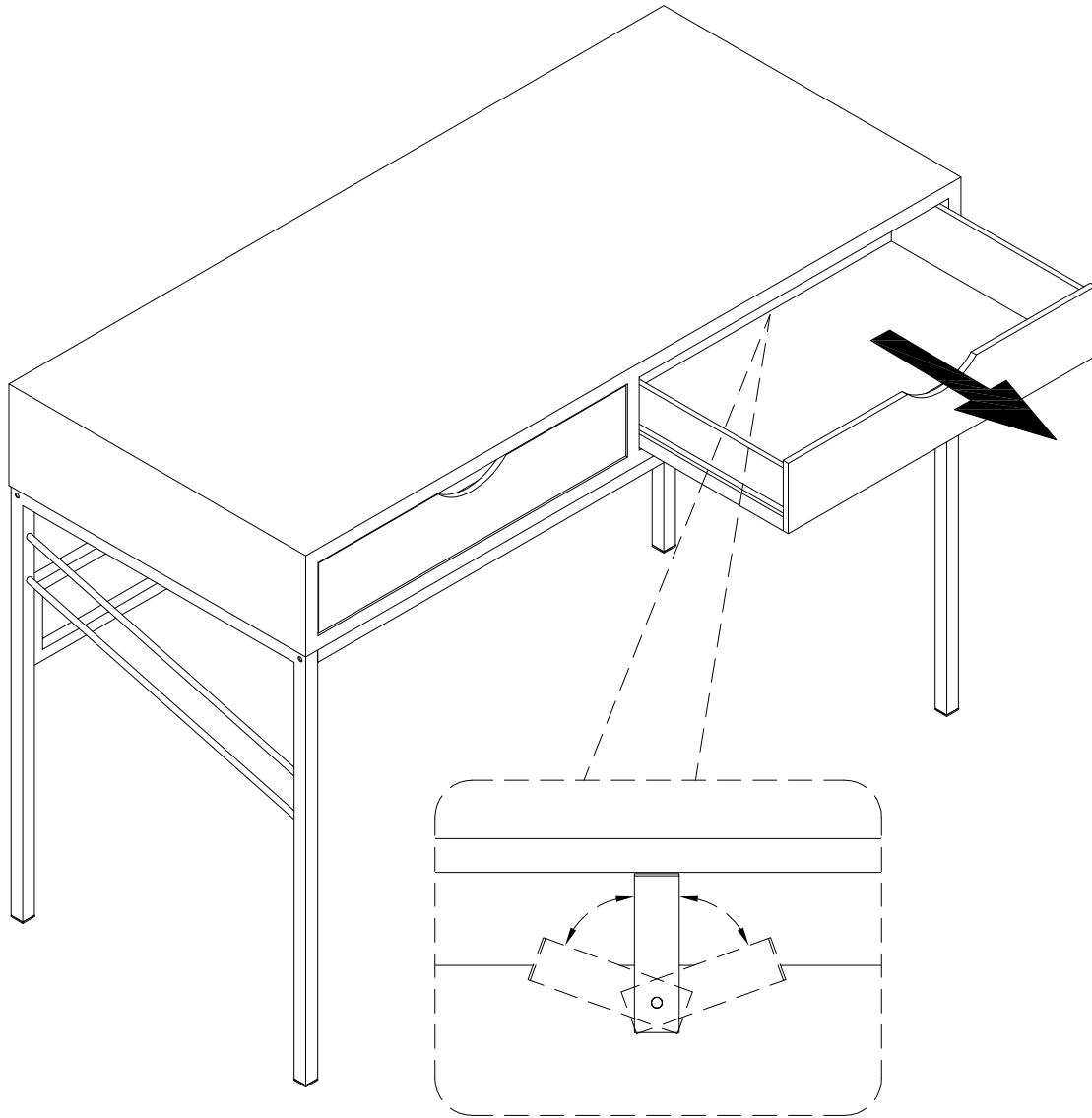
Using bolt (B) attach parts (3,5) to parts (2,4) with Hex key (D) as per diagram.

Step 2



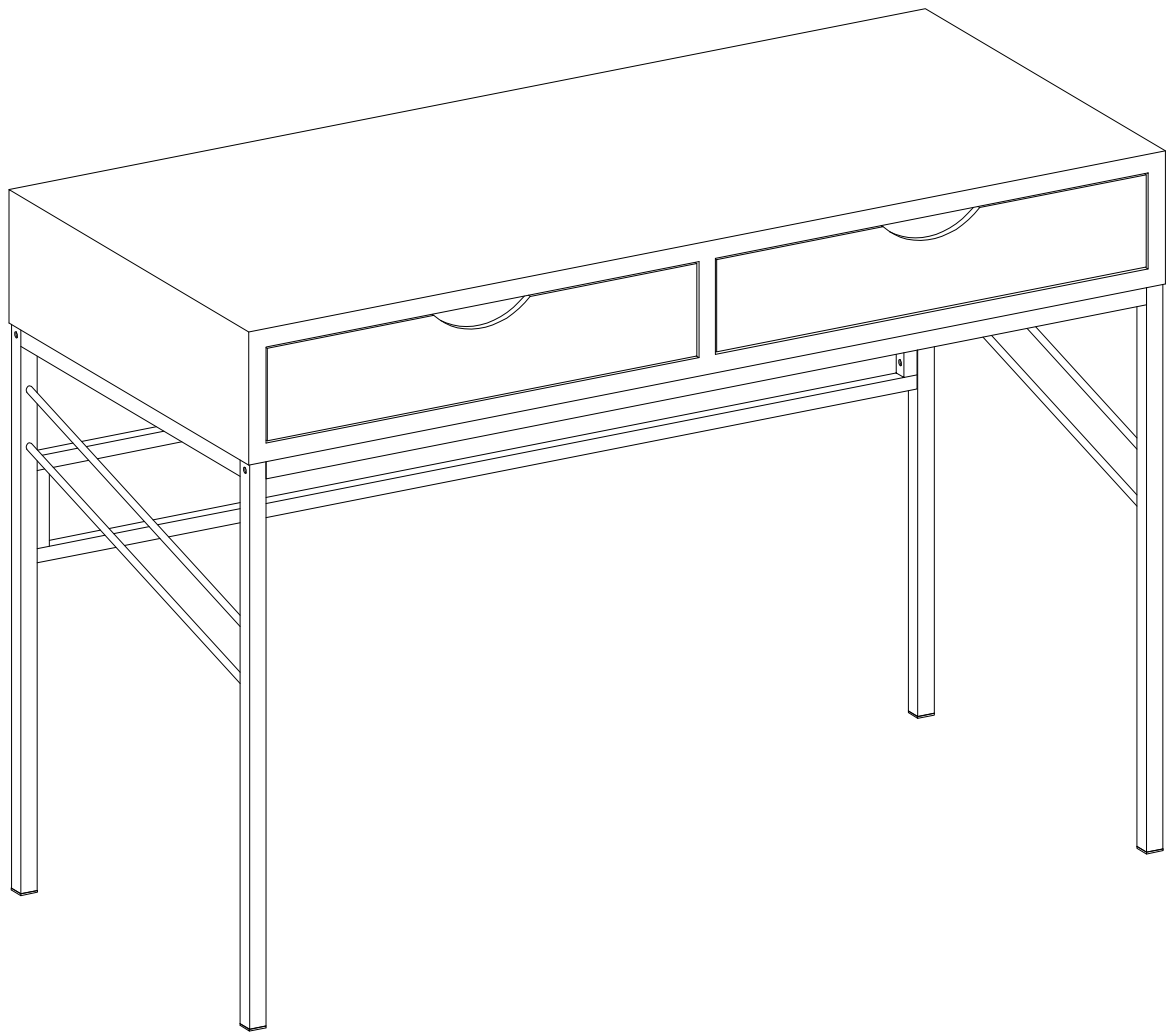
Using bolt (A) attach lock washer (F) and flat washer (C) into parts (3,5) to part (1) with Hex key (D) ,then using screw (E) secure part (2) to part (1) with Philips head screwdriver as per diagram.

Step 3



If you need to remove the drawer, please pull the drawer forward and turn the plastic stopper to left or right side ,then you can take drawer out easily as per diagram.

Step 4



Final Assembly