























# Assembly Instructions

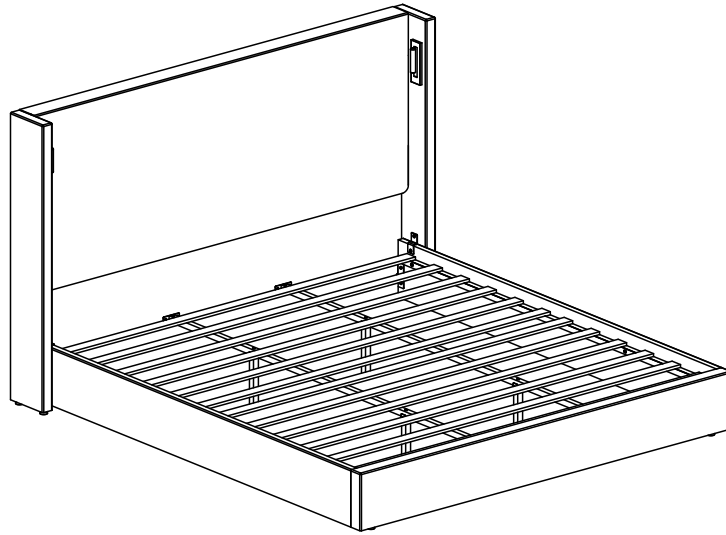
Caution: You must read this before you proceed

## Care & Maintenance

 	<ul style="list-style-type: none"><li>● Not for commercial use. For residential use only.</li></ul>
 	<ul style="list-style-type: none"><li>● Furniture may scratch floors. We recommend using furniture pads to protect your floors.</li></ul>
 	<ul style="list-style-type: none"><li>● Do not put hot items directly on furniture surface.</li></ul>
 	<ul style="list-style-type: none"><li>● Do not clean furniture with harsh cleansers or polish.</li></ul>
 	<ul style="list-style-type: none"><li>● Do not place furniture under direct sunlight.</li></ul>
 	<ul style="list-style-type: none"><li>● Do not place furniture near heating or cooling vents.</li></ul>
 	<ul style="list-style-type: none"><li>● Do not write on furniture without a padded barrier to protect the surface.</li></ul>
 	<ul style="list-style-type: none"><li>● Do not place furniture outside. For indoor use only.</li></ul>
 	<ul style="list-style-type: none"><li>● Stains may be removed with mild soap solution and damp cloth.</li></ul>
 	<ul style="list-style-type: none"><li>● Children should not climb or jump on the furniture.</li></ul>
 	<ul style="list-style-type: none"><li>● Dust and pick-up spills using a clean, non-colored, lint-free cloth.</li></ul>

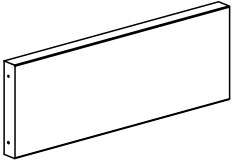
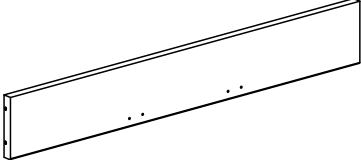
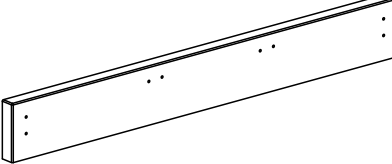
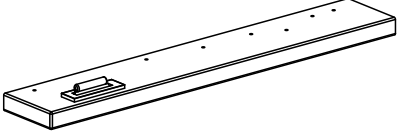
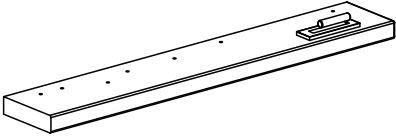
Please look in the box for hardware packs and legs.

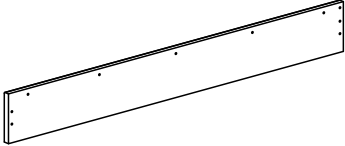
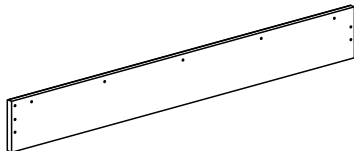
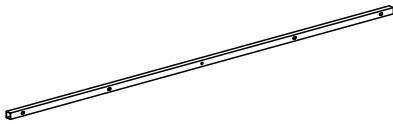
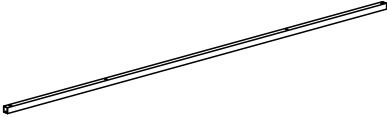
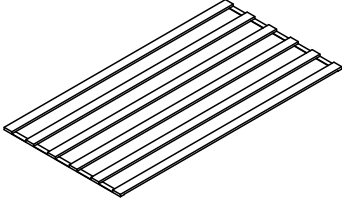

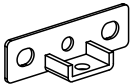
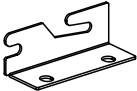
Bed  
N757P235229B

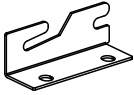
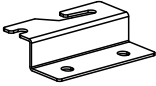
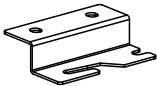
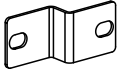

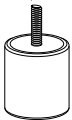
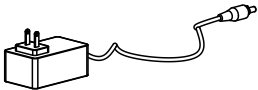
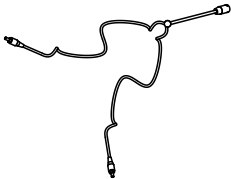


**PartList**

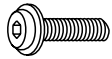
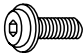
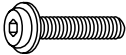

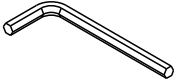

N757P235229B

Label	Picture	Description	QTY
①		Headboard (1)	1
②		Headboard (2)	1
③		Foot board	1
④		Side flank(L)	1
⑤		Side flank(R)	1

⑥		Side rail(L)	1
⑦		Side rail(R)	1
⑧		Side rails support bar	2
⑨		Center support bar	2
⑩		Slats	2
⑪		Middle support foot	4
⑫		Center support bar fitting	4
⑬		Hinge(L)	1

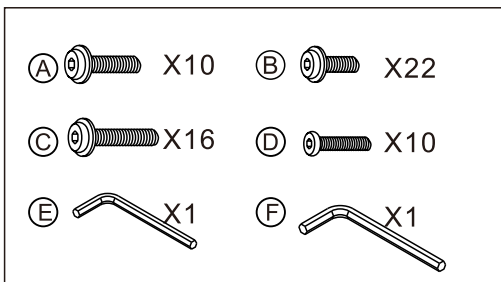
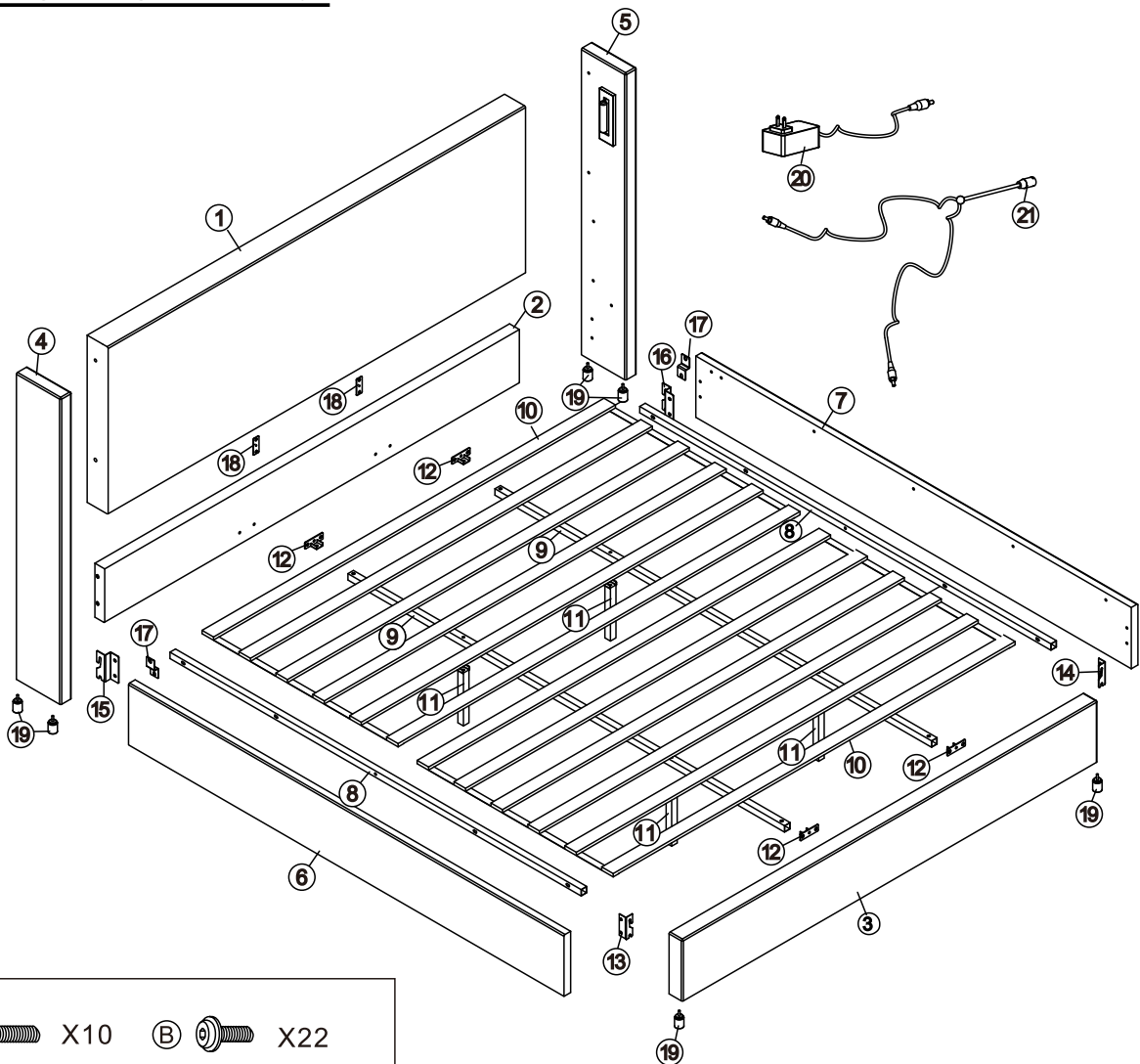
⑭		Hinge (R)	1
⑮		Bedhead connection iron sheet(L)	1
⑯		Bedhead connection iron sheet(R)	1
⑰		Bed side reinforced iron sheet	2
⑱		Connecting iron sheet	2
⑲		Bed legs	6
⑳		The power plug	1
㉑		Connecting line	1






## Hardware

Label	Picture	Description	QTY
A		Bolts (M8x25mm)	10
B		Bolts (M8x20mm)	22
C		Bolts (M8x40mm)	16
D		Bolts (M6x35mm)	10
E		Allen Wrench(M5)	1
F		Allen Wrench(M4)	1

# Assembly Preparation

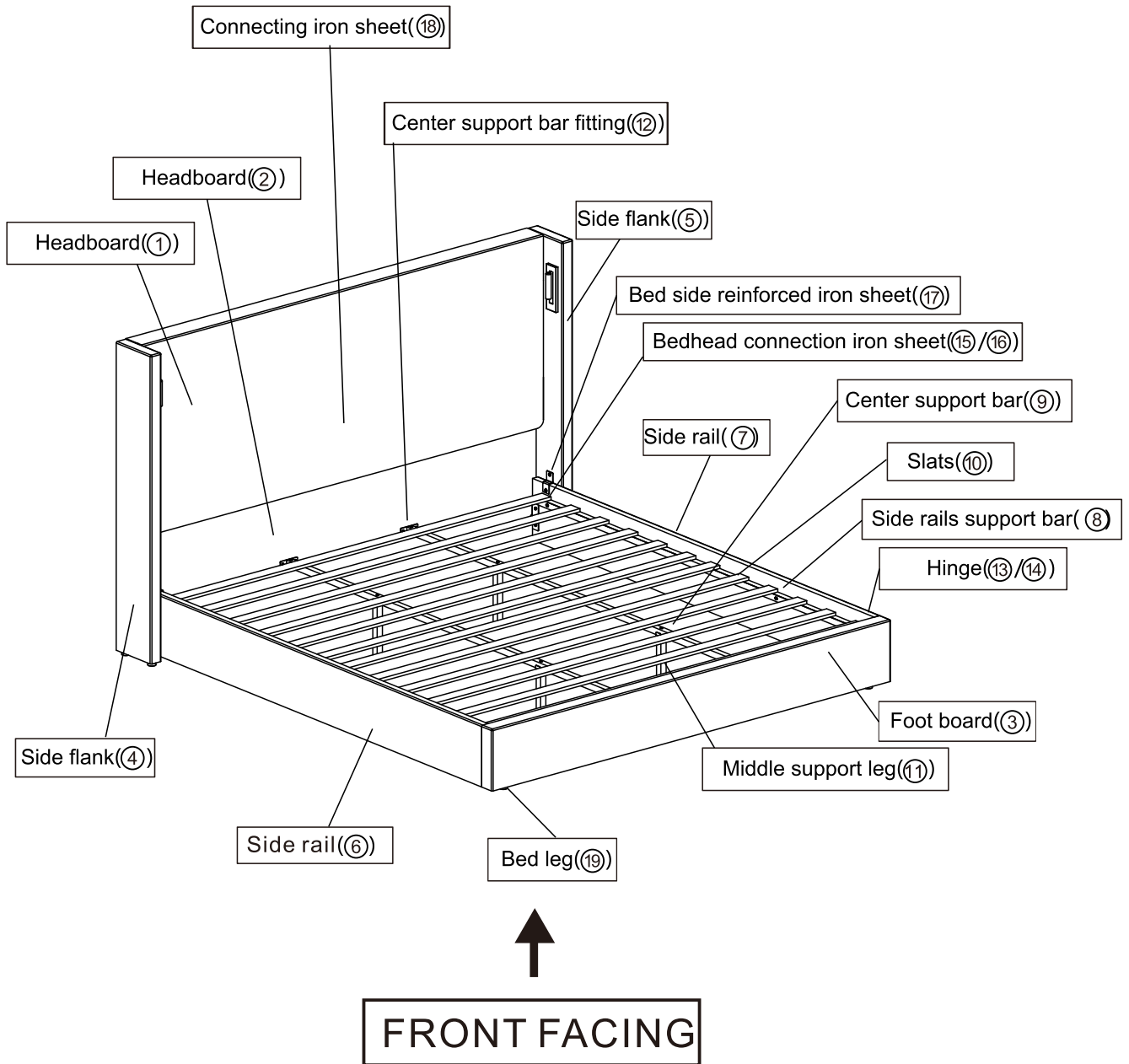
## Before Beginning assembly:



-  • Read instructions, cover to cover
-  • Have 2 adults on hand for assembly
-  • Do not assemble on flooring or carpet
-  • Assemble on a clean non-marring surface (packing foam)
-  • Save all packaging until finished

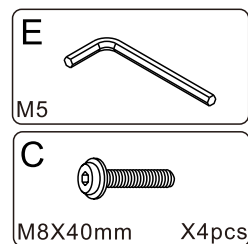
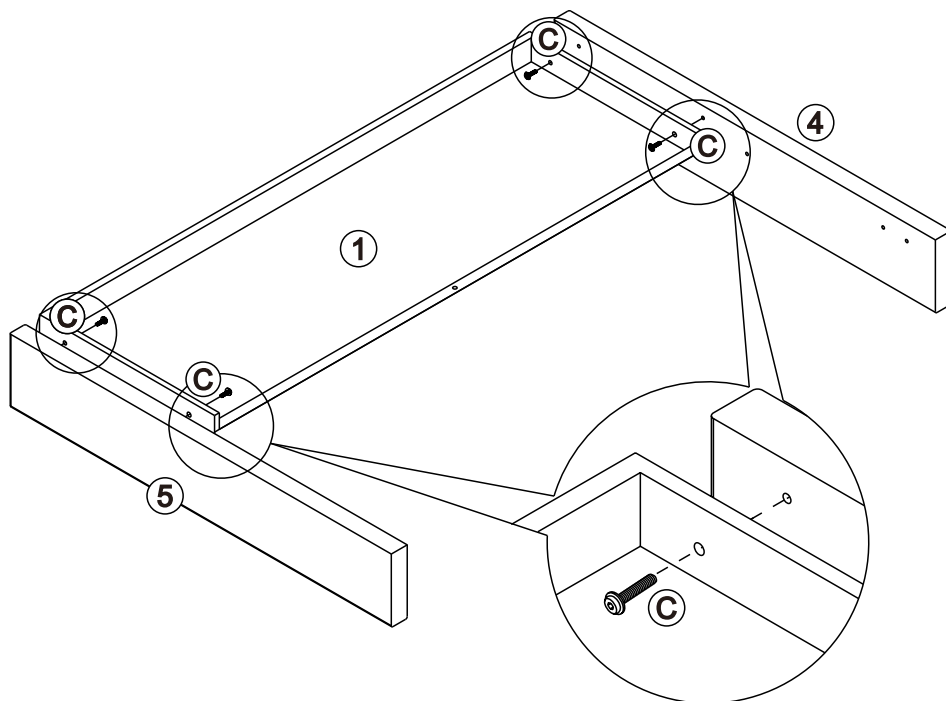
# Assembly Steps

## OVERVIEW



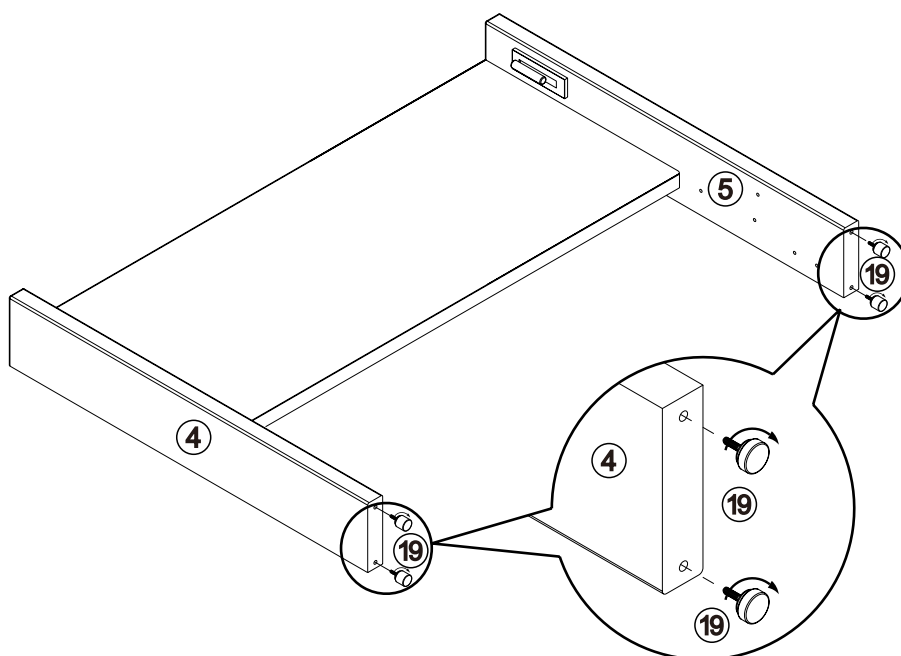
This Bed have multiple parts and may require up to 60 minutes to assemble. To give you an overview of the Bed parts, the above picture is to help you put the various parts into perspective. Please read through the instructions below to familiarise yourself with the parts and steps before assembly.  
Note: It is recommended that you have an adult partner to assist during the entire assembly process.

## Step 1



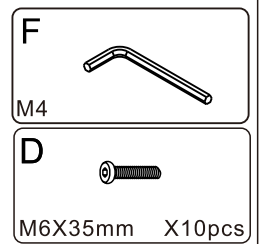
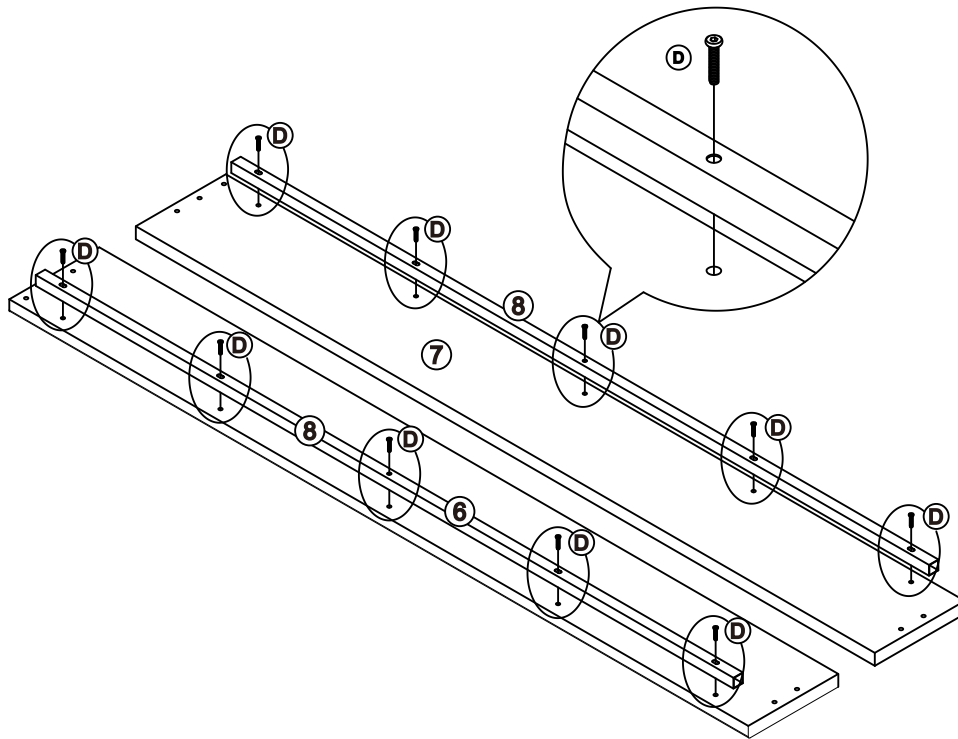
Attach the Side flank ((4)/(5)) to Headboard (1) with Bolts (C) by using Allen Wrench (E).

## Step 2



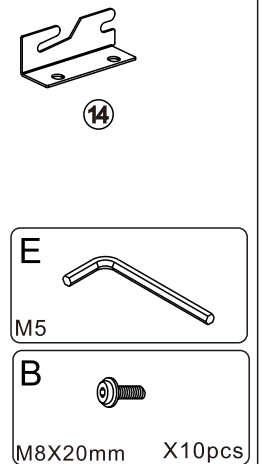
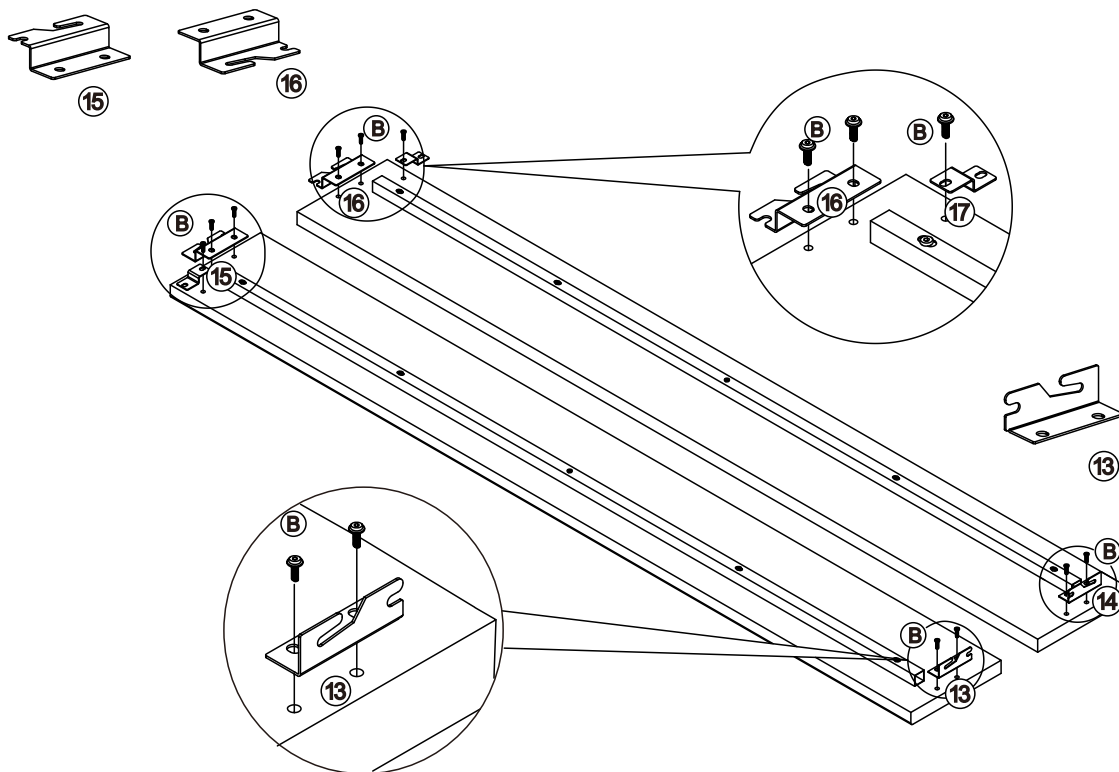
Attach screw Bed leg (19) into Side flank (4) / (5).

### Step 3



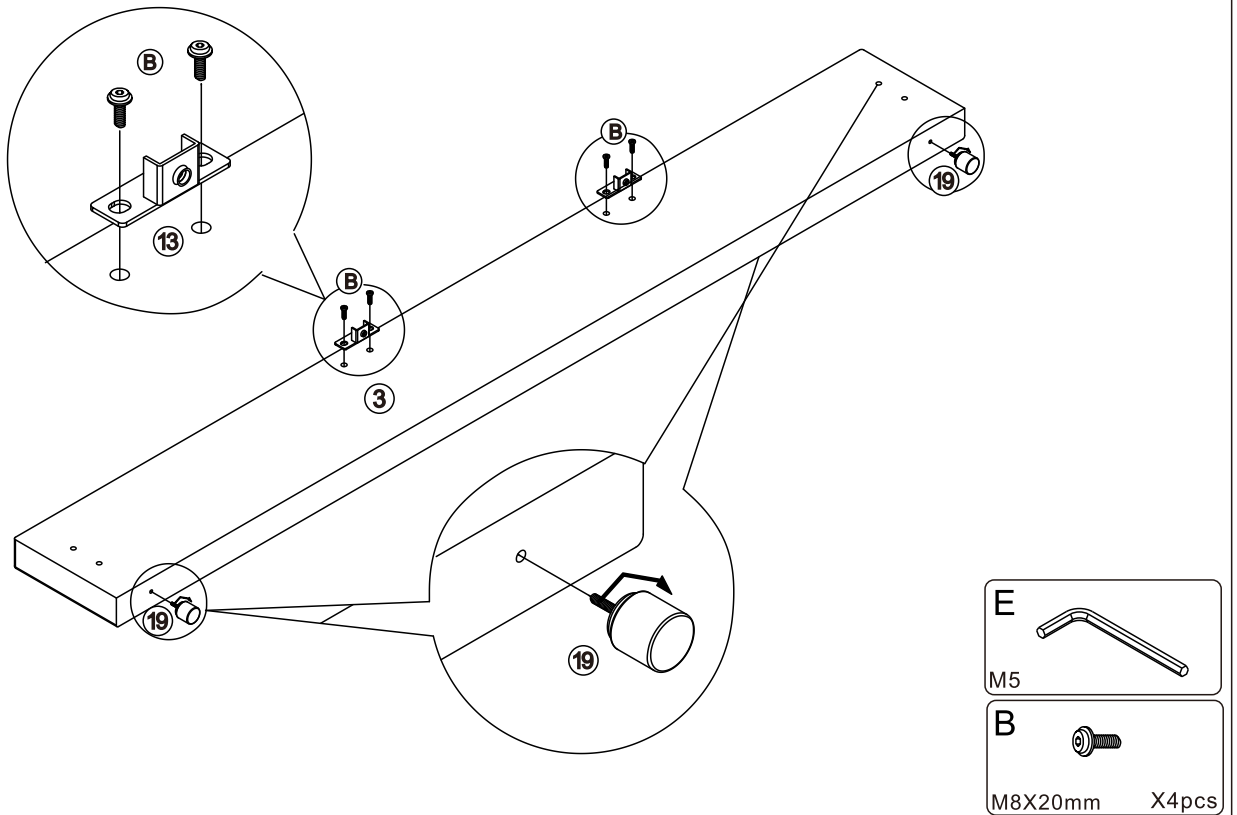
Attach the Side rails support bar (8) to Side rail (6/7) with Bolts(D) by using Allen Wrench (F).

### Step 4



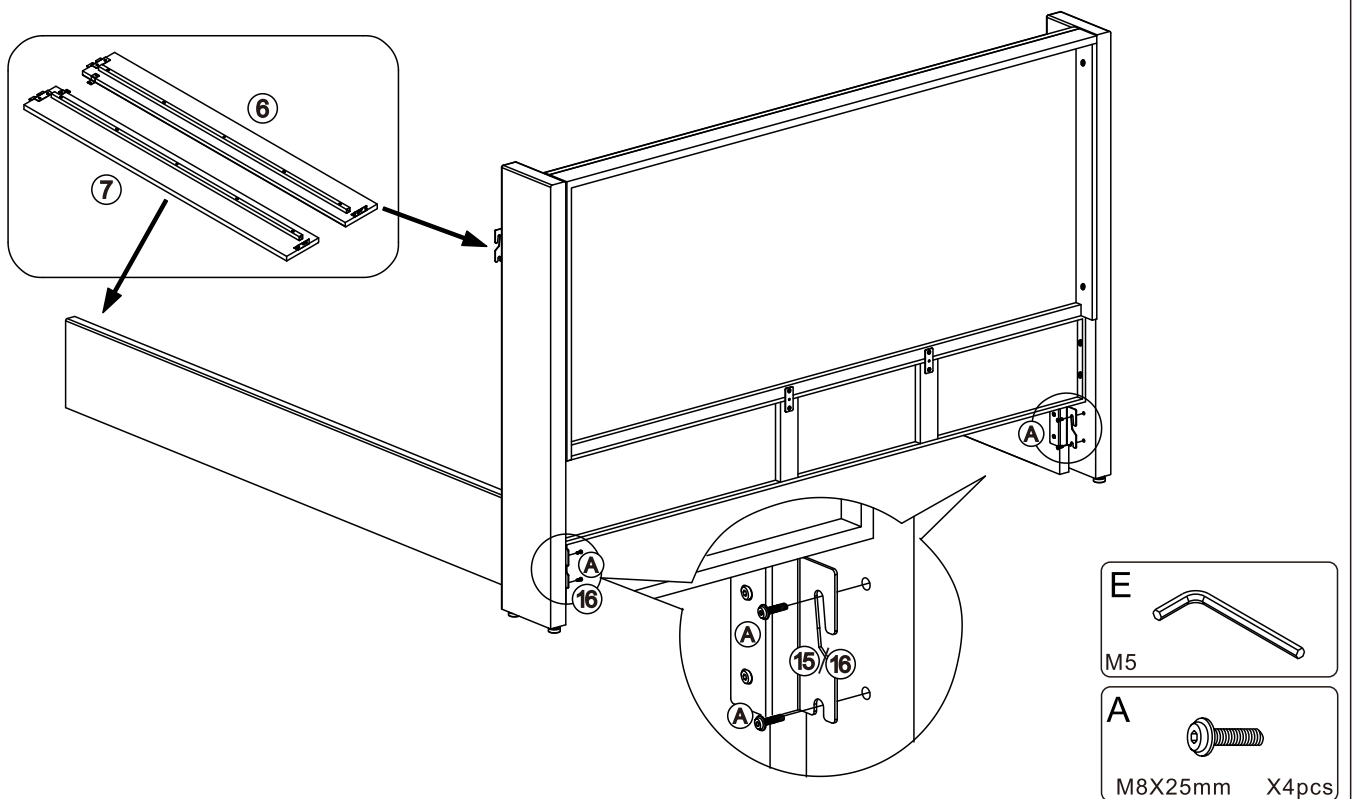
Attach the Bedhead connection iron sheet (15/16) and Hinge (13/14) to Side rail (6/7) with Bolts(B) by using Allen Wrench (E).

## Step 5



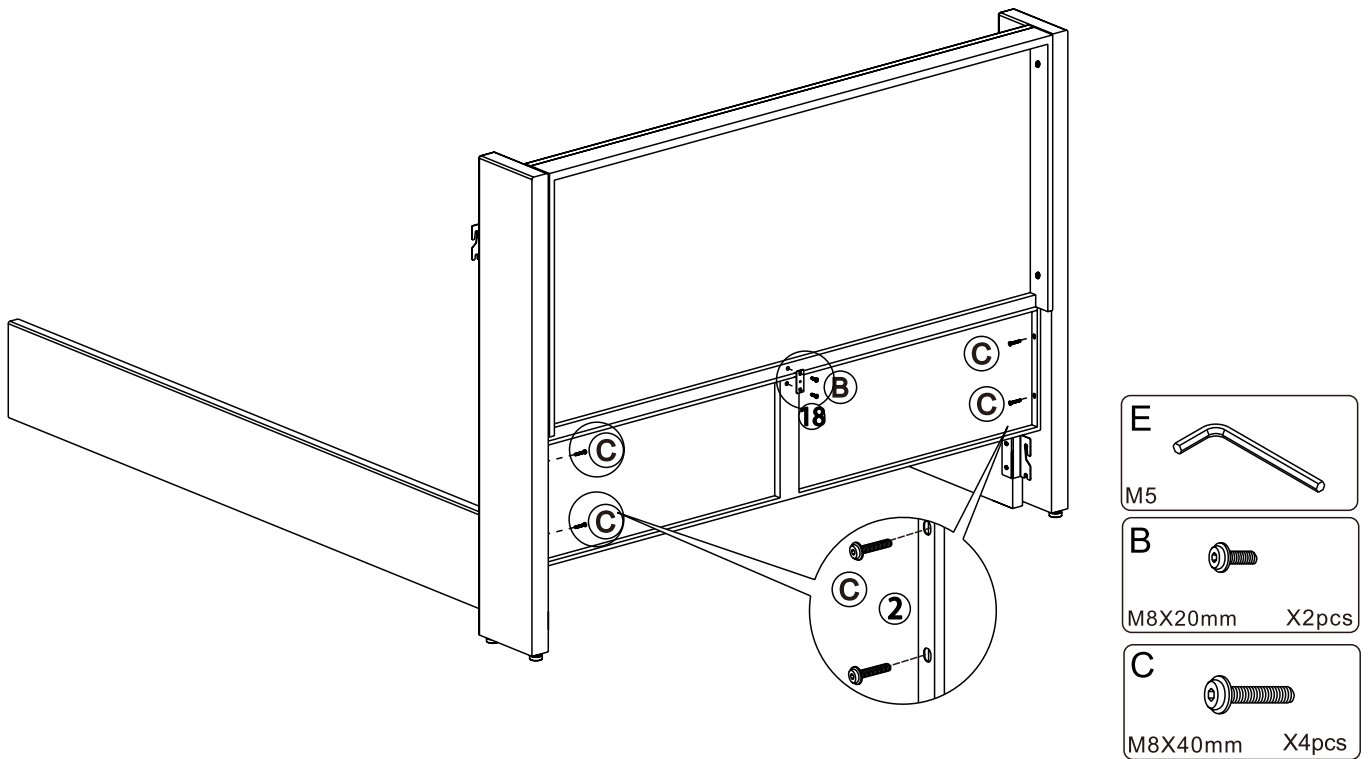
Attach the Center support bar fittings(12) to Footboard (3) with Bolts (B) by using Allen Wrench (E) and screw Bed leg(19) into Footboard (3).

## Step 6



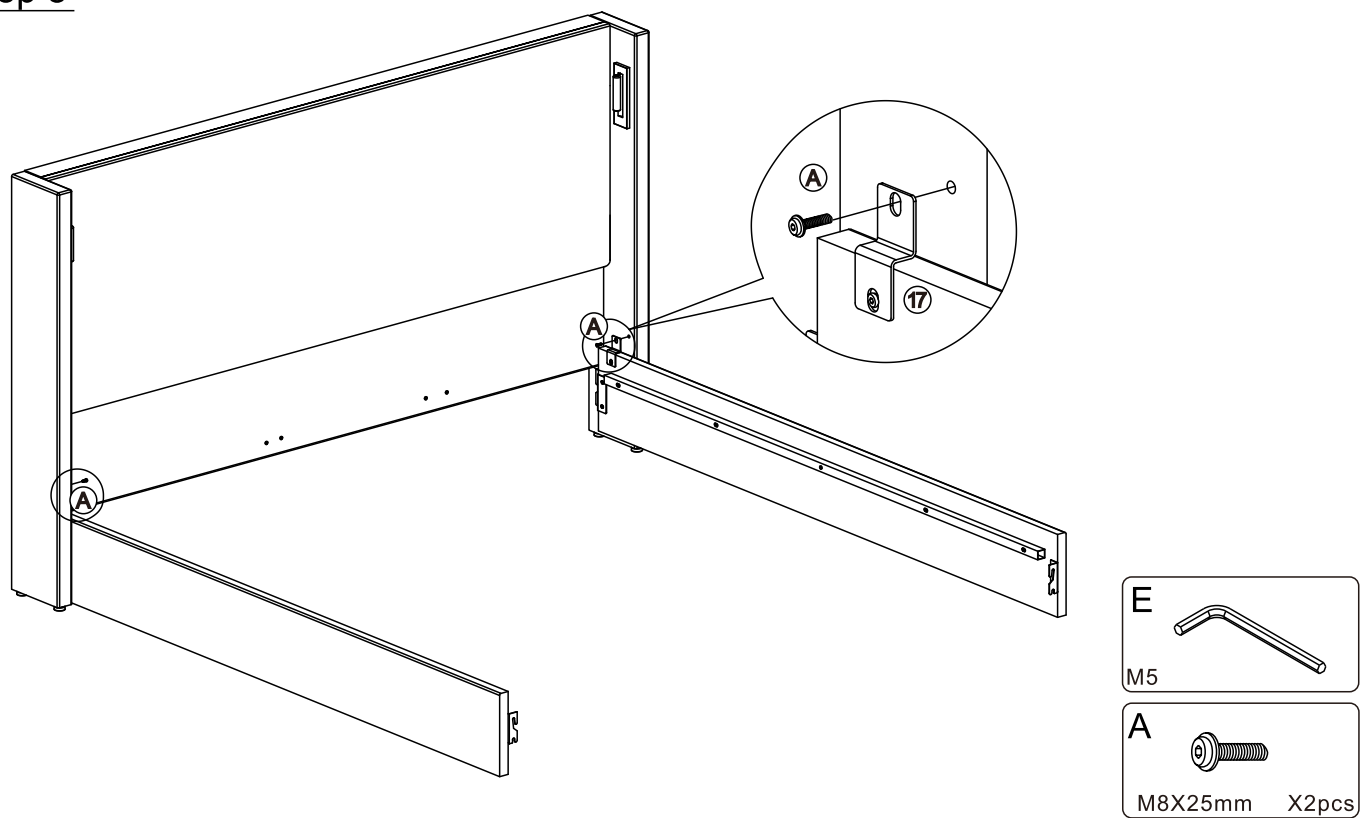
Attach the Side rail (6) / (7) to Side flank (4) / (5) with Bedhead connection iron sheet (15) / (16) and Bolts (A) by using Allen Wrench (E).

## Step 7



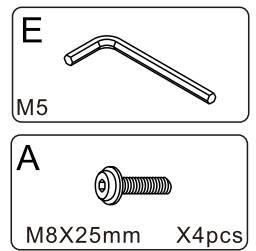
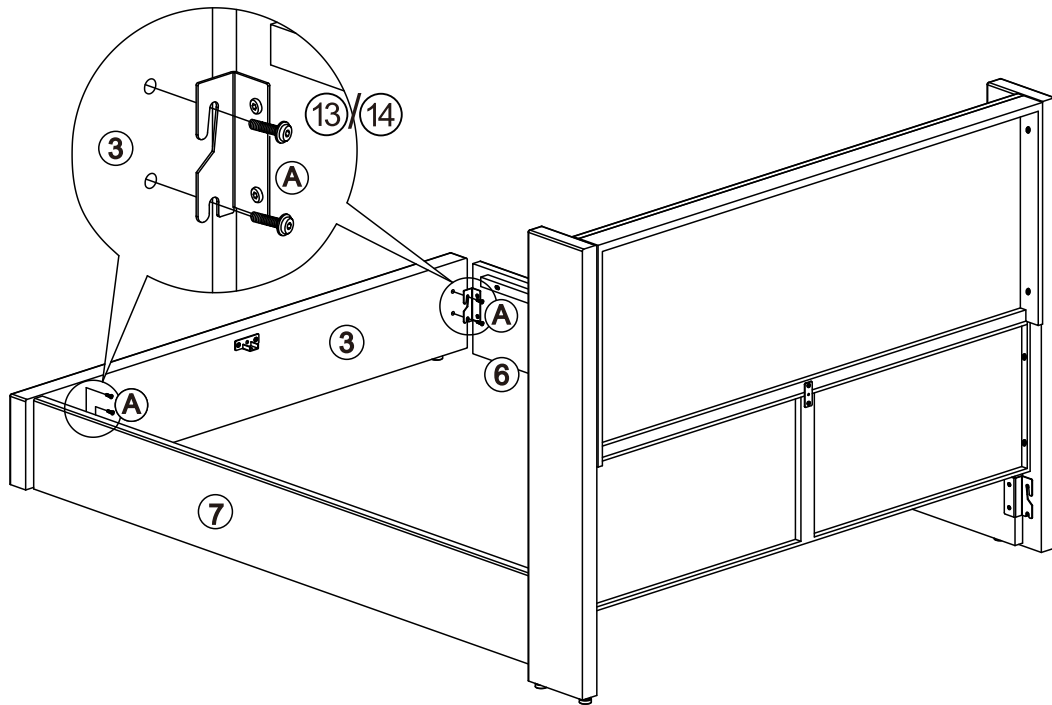
Attach Headboard (②) to Side flank (④/⑤) and the Connecting iron sheet (⑱) to Headboard (②) with Bolts(Ⓑ/Ⓒ) by using Allen Wrench (Ⓔ).

## Step 8



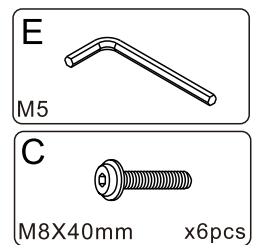
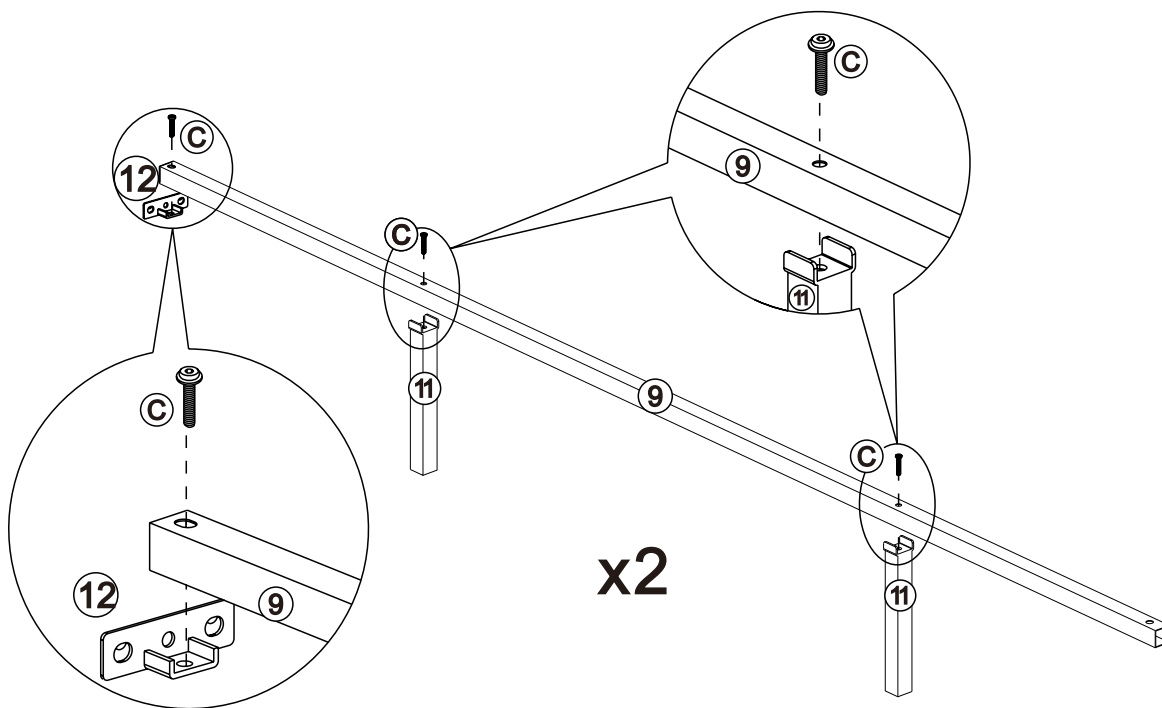
Attach the Side rail (⑥/⑦) to Side flank (④/⑤) with Bedside reinforced iron sheet (⑰) and Bolts(Ⓐ) by using Allen Wrench (Ⓔ).

## Step 9



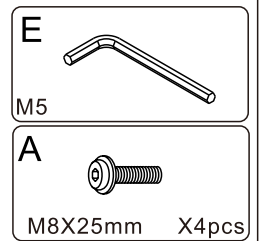
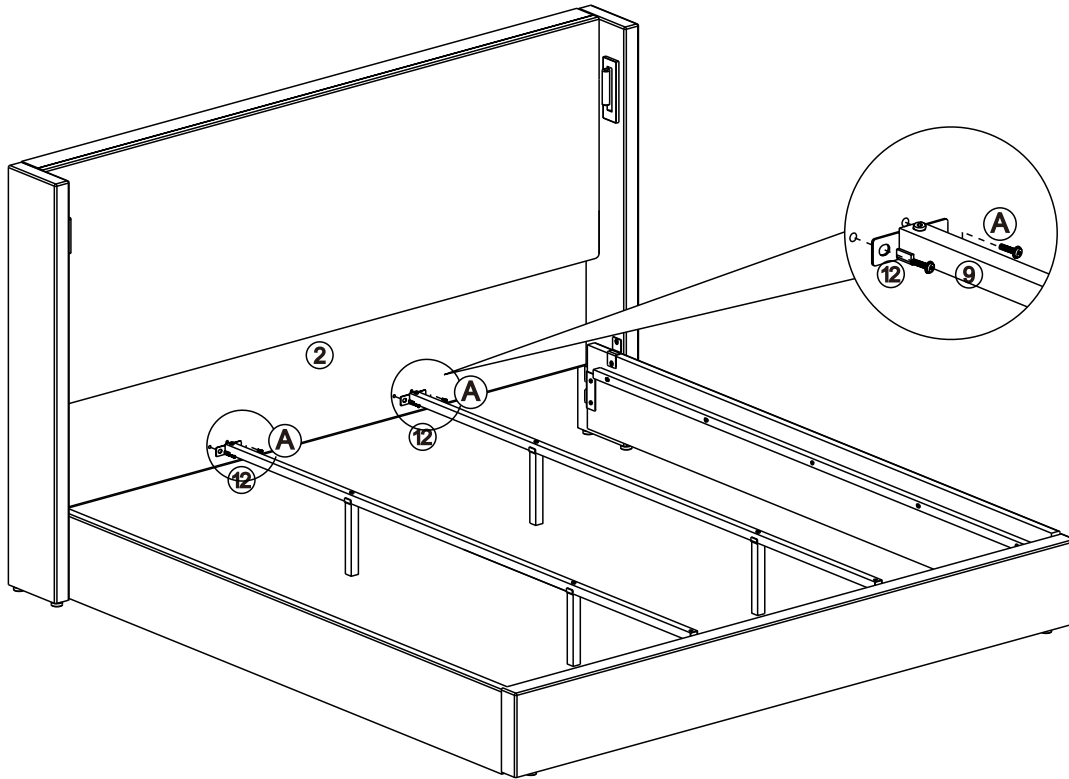
Attach the Side rail (⑥/⑦) to Footboard (③) with Hinge (⑬/⑭) and Bolts(Ⓐ) by using Allen Wrench (Ⓔ).

## Step 10



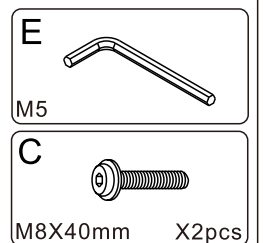
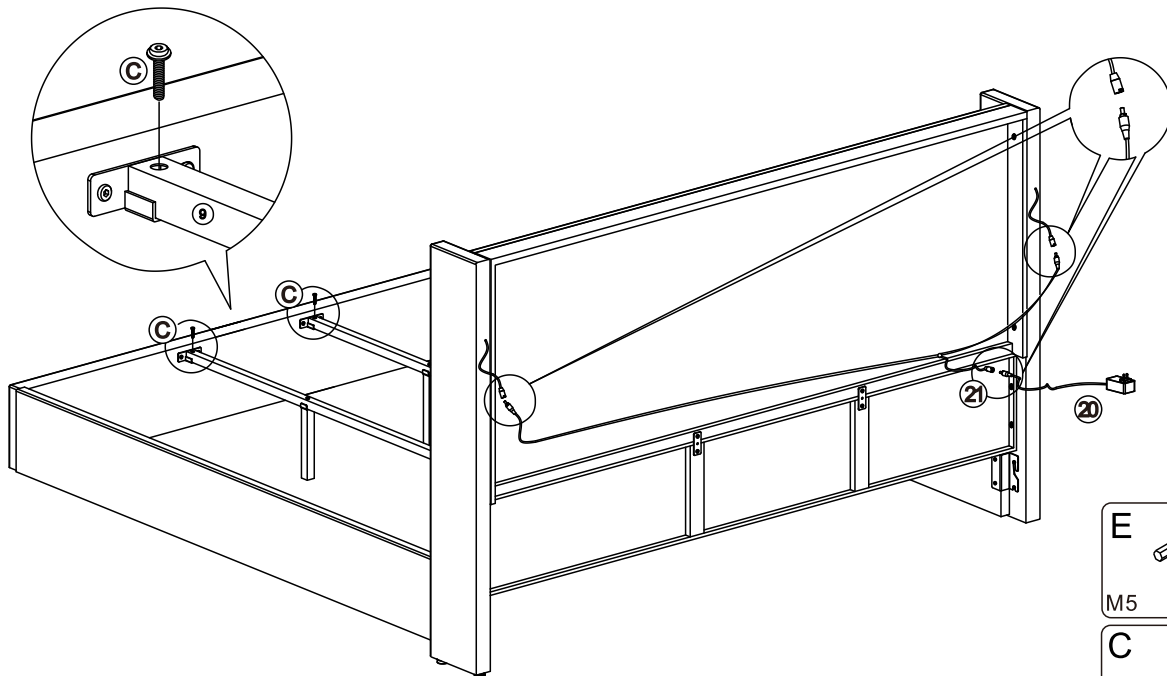
Attach the Center support bar (⑨) to Middle support leg (⑪) and Center support bar fitting (⑫) with Bots(Ⓒ) by using Allen Wrench (Ⓔ).

## Step 11



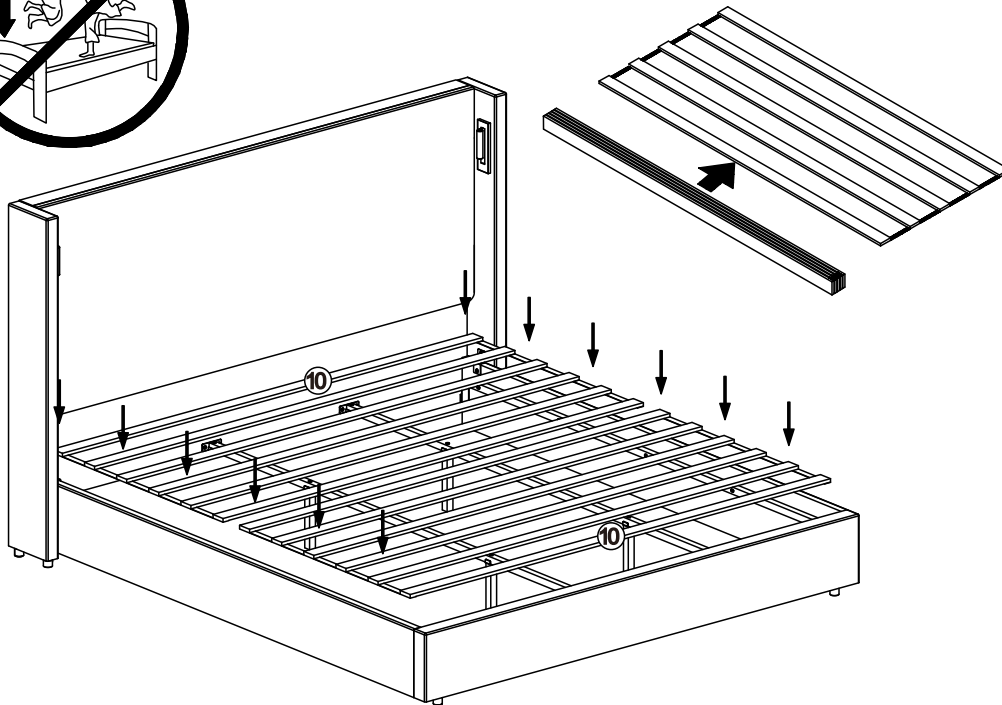
Attach the Center support bar fitting (12) to Headboard (2) with Bolts(A) by using Allen Wrench(E).

## Step 12



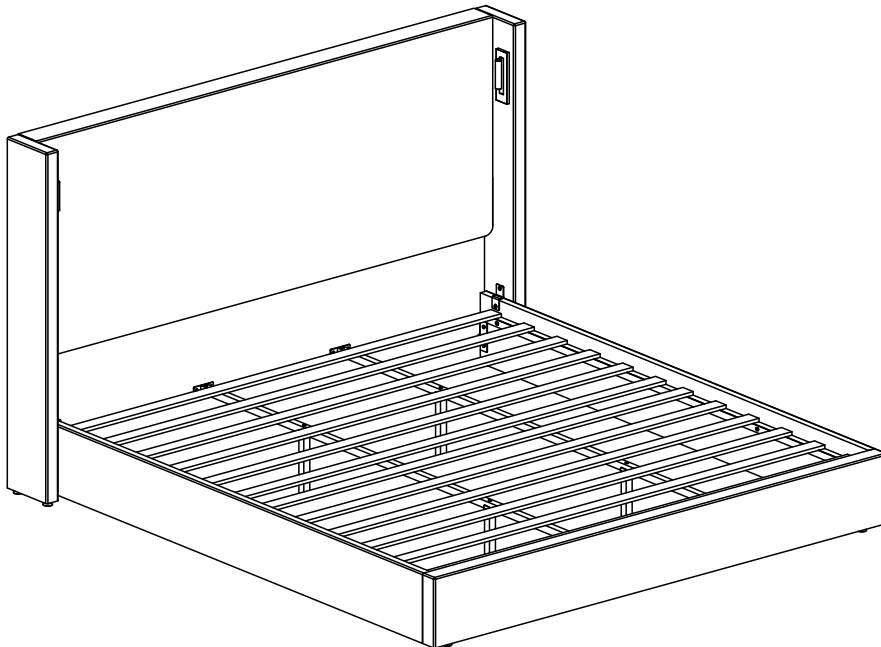
Attach the Center support bar (9) to Footboard(3) with Center support bar fitting (12) and Bolts(C) by using Allen Wrench (E). And Connect the two wires of Connecting line (21) with the line of Side flank (4/5).Then connect Connecting line (21) and The power plug (20)..

## Step 13



Attach the Slats( ⑩ ) by using magic tape.

## Installation Complete



Your Bed is ready for use.  
This Bed can only be used on a flat, level surface.