

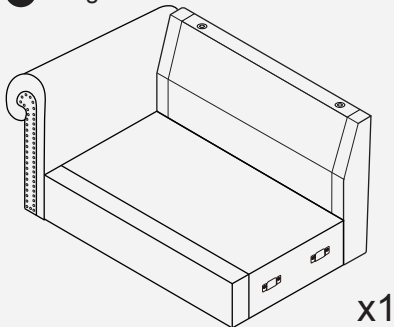
LZ-038_3

INSTRUCTIONS

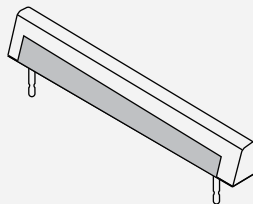
Floral 3 Seater Sofa

CARTON 1 PART LIST

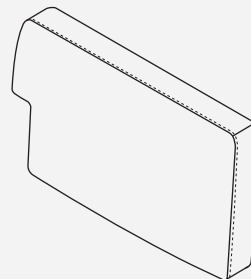
A Single Seat Frame With Left Arm



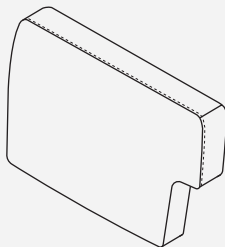
B Backrest



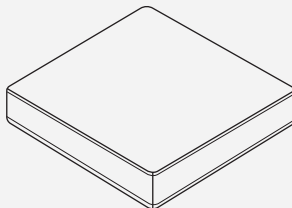
C Left Back Cushion



D Right Back Cushion



E Single Seat Cushion

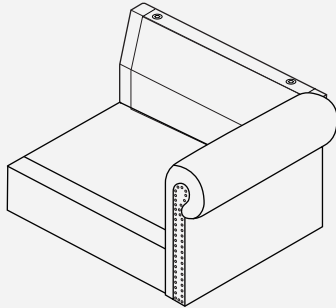


1 Solid Wooden Legs



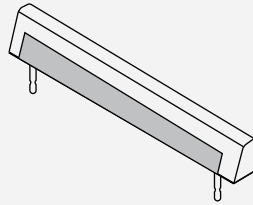
CARTON 2 PART LIST

F Single Seat Frame With Right Arm



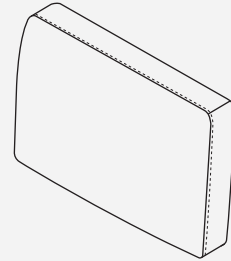
x1

B Backrest



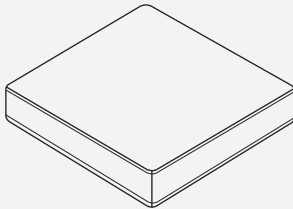
x1

G Middle Back Cushion



x1

E Single Seat Cushion



x2

1 Solid Wooden Legs

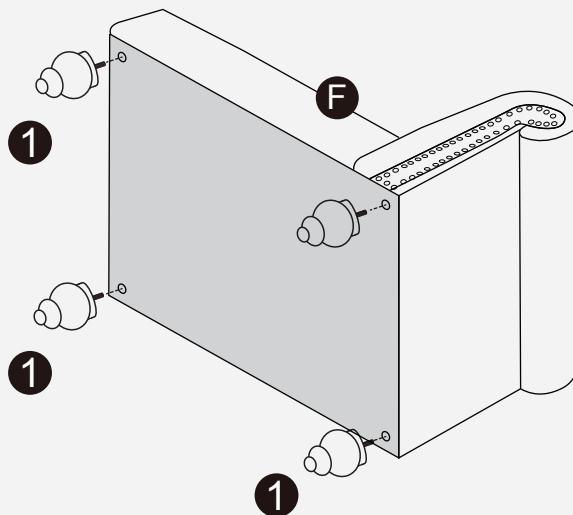
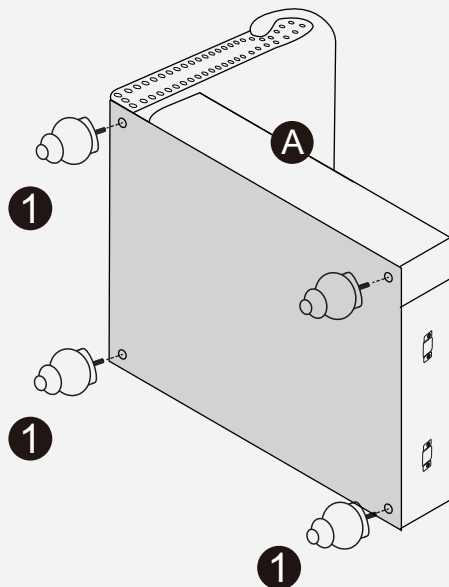


x4

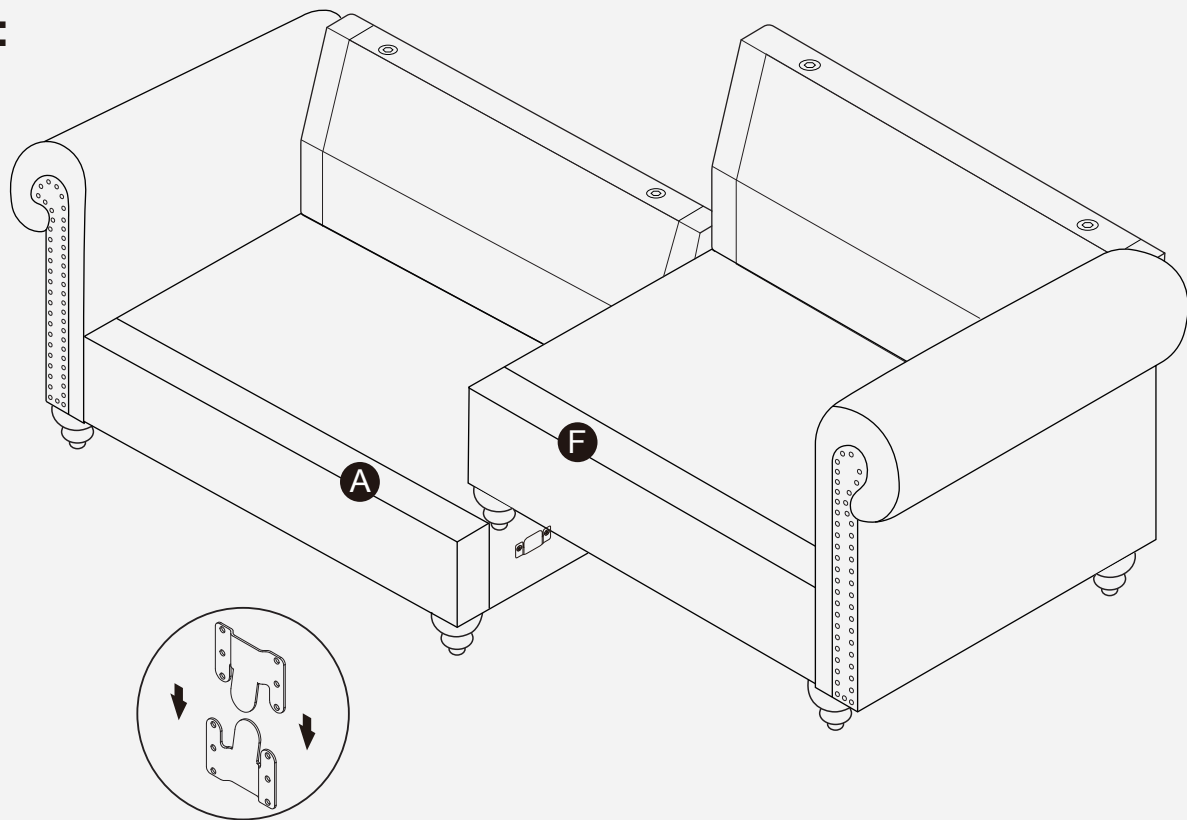
Step1:

Remove all parts from the carton,Place them on protected surface or carpet.

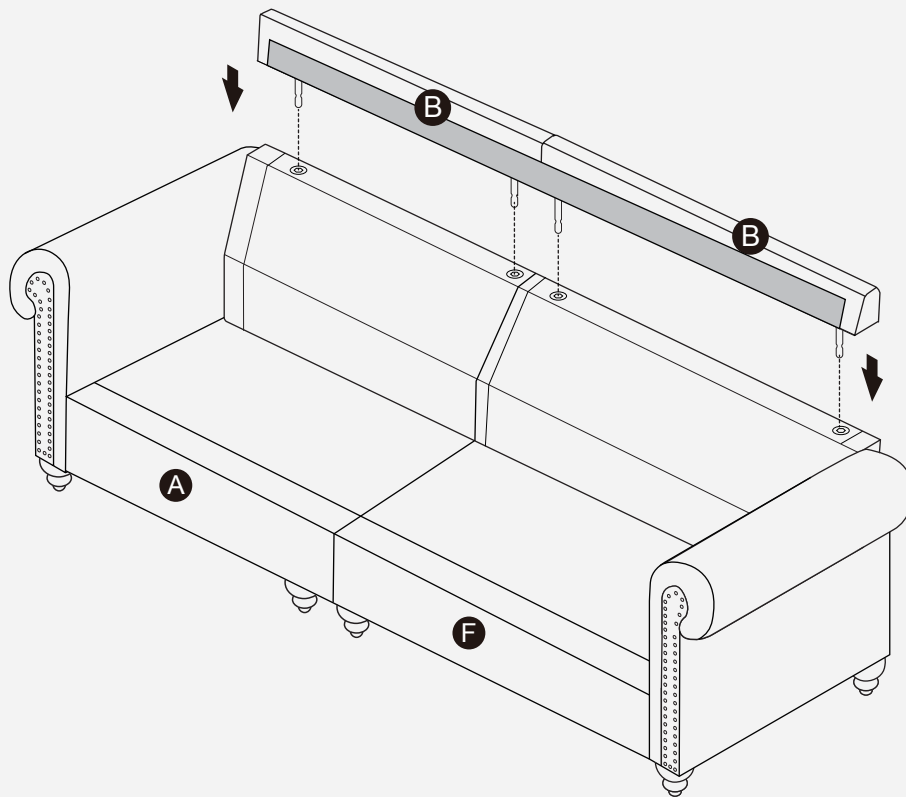
Step2:



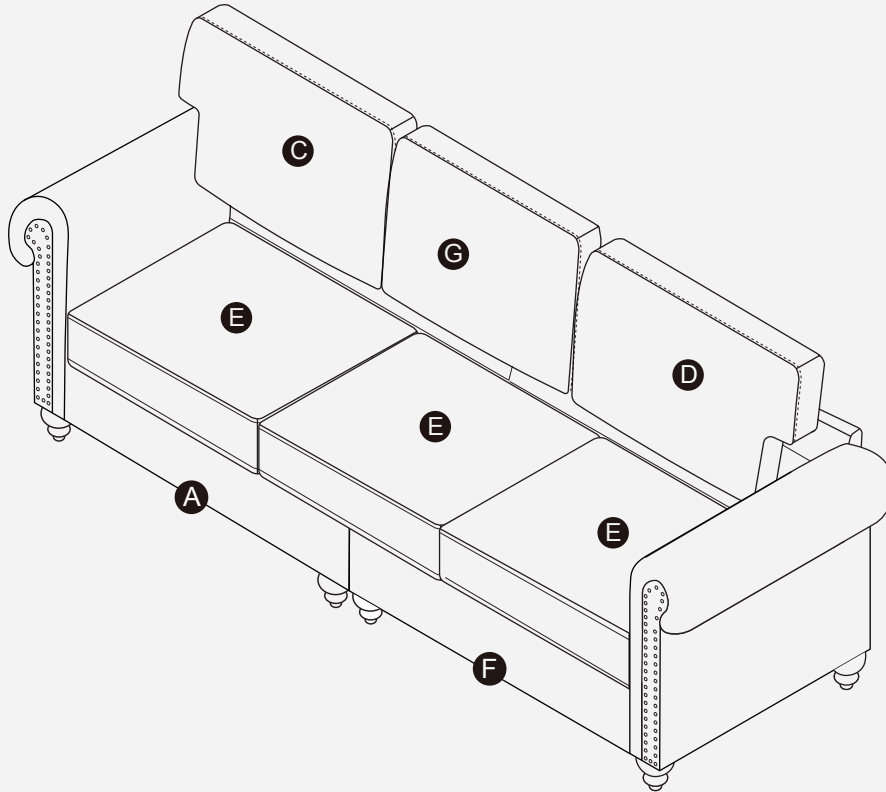
Step 3:



Step4:



Step5:



Step6:

